

BERTAZZONI

REFRIGERATOR
INSTALLATION MANUAL

EN

REFRIGERADOR
MANUAL DE INSTALACIÓN

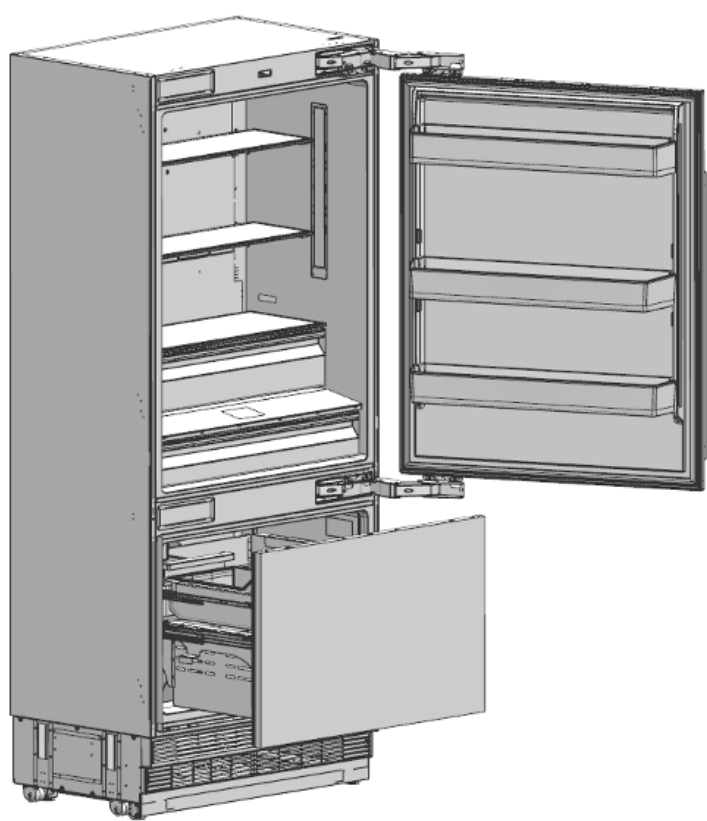
ES

RÉFRIGÉRATEUR
MANUEL D'INSTALLATION

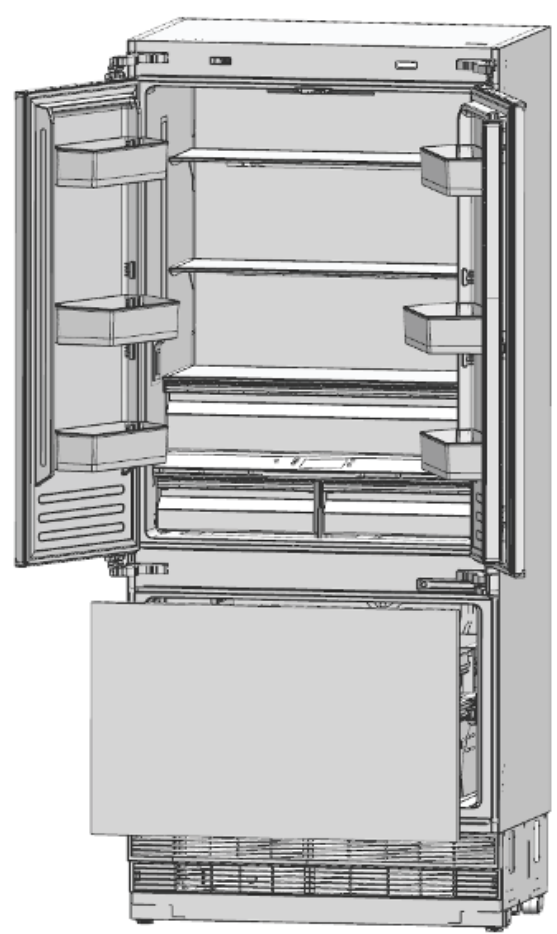
FR



REF30BMB...N... Series
REF36BMBZPNV
REF36FDBZPNV/24



REF30BMB...N...
REF36BMBZPNV



REF36FDBZPNV/24

CONTENTS

1. IMPORTANT INFORMATION	5
1.1 Symbols and Their Meanings	5
1.2 Disposing of the packing materials	5
1.3 Climate class.....	6
1.4 Product weight	6
1.5 Food Load Bearing Capacity of the Doors	6
2. BEFORE INSTALLATION	7
2.1 Installation location.....	7
2.2 Cabinetry	8
2.3 Ventilation	8
2.4 Electrical Connection.....	8
2.5 Water Connection (where applicable)	8
2.6 Tool List	8
2.7 Alternatives for Installation.....	9
2.8 Preparation for Installation	9
2.9 Location of the Electrical Wiring	10
2.10 Location of the Water System	11
2.11 Product and Panel Dimensions.....	12
2.12 Unpacking.....	20
2.13 Removing the Connectors on the Side Wall of the Unit.....	21
2.14 Removing the Installation Hardware from the Freezer Compartment.....	22
2.15 Removing the Freezer Drawer	23
2.16 Removing the Freezer Door	23
2.17 Removing the Lower and Upper Ventilation Grill Covers.....	24
3. INSTALLATION INSTRUCTIONS	25
3.1 Before Installation	25
3.2 Mounting the Anti-Tip Brackets.....	25
3.3 Preparing the Water Hose and the Electrical Connection	28
3.4 Installation in the cabinet.....	28
3.5 Overlay Panel Installation and Preparation.....	35
3.6 Hinge Adjustment and Reversing the Door Swing	48

1.1 Symbols and Their Meanings

Symbols used in the installation manual are as follows.

**Note**

Important information or useful tips for use

**Warning**

Conditions that may damage the product or affect its operation

**Caution**

Situations entailing a serious risk of injury

1.2 Disposing of the packing materials

The packing materials have been designed to protect the product during transport.

The packing materials used for the product are not harmful to the environment when disposed of and they need to be recycled.

All plastic packing materials, bags, etc. must be disposed of safely and kept out of the reach of children.

Please return the packing materials to your dealer.

**WARNING:**

This installation manual is intended to aid installation teams. The User Manual provided with the product must also be taken into account.

You may be seriously injured and your product damaged if you ignore the warnings provided in this manual. Please read the following carefully.

**WARNING:****R600a Refrigerant**

This product contains R600a isobutane refrigerant, which is a very eco-friendly natural gas. However, it is also flammable. Please heed the warnings below:

- If the product has been transported horizontally, you must wait for a minimum of 4 hours before plugging it in.
- The following instructions must be

followed during installation:

- The dimensions of the installation area must be adequate.
- The dimensions, features and position of the object used to support and secure the product in said area must be suitable.
- Minimum clearances between product parts and surrounding structures must be adequate.
- Minimum dimensions and proper positioning of ventilation holes must be heeded.
- The product must be connected to a non-GFCI protected dedicated circuit, and there must be a suitable water line connection (for models with ice maker and water dispenser).
- The product must be able to be disconnected from the power supply after installation.
- The socket or fuse must be accessible, so as to be able to shut off power to the product.
- Extension cords and ungrounded (two-prong) adapters may not be used.

**CAUTION:**

You must wear protective gloves and eye protection when installing the product. You must also wear hearing protection when using a drill or similar tools.

**CAUTION:**

Make sure that the electrical circuit is suitable for the product.

**CAUTION:**

The product must be installed by a qualified technician according to the installation instructions.

**WARNING:**

The product may tip over, because it is quite heavy. Precautions must be taken to prevent this from occurring.

The product's doors must be kept closed until it reaches its destination; it must be transported in the manner described in the installation instructions.

1. IMPORTANT INFORMATION

1.3 Climate class

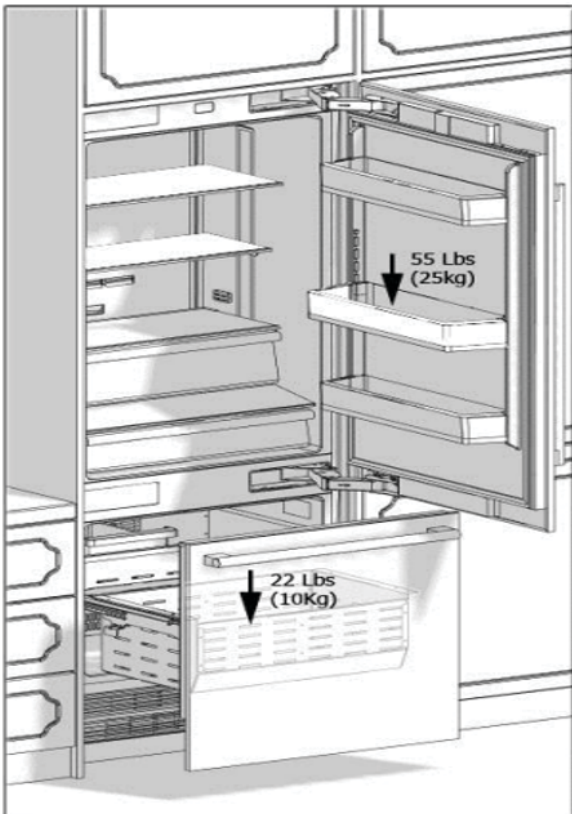
Climate range	Ambient temperature of the room	This appliance has been designed to be used in certain specific climates (ambient temperatures ranges). It must not be used outside of these ranges.
SN (Extended temperate)	Between +50°F (10°C) and +90°F (32°C)	
N (Temperate)	Between +60°F (16°C) and +90°F (32°C)	
ST (Subtropical)	Between +60°F (16°C) and +100°F (38°C)	
T (Tropical)	Between +60°F (16°C) and +110°F (43°C)	

1.4 Product weight

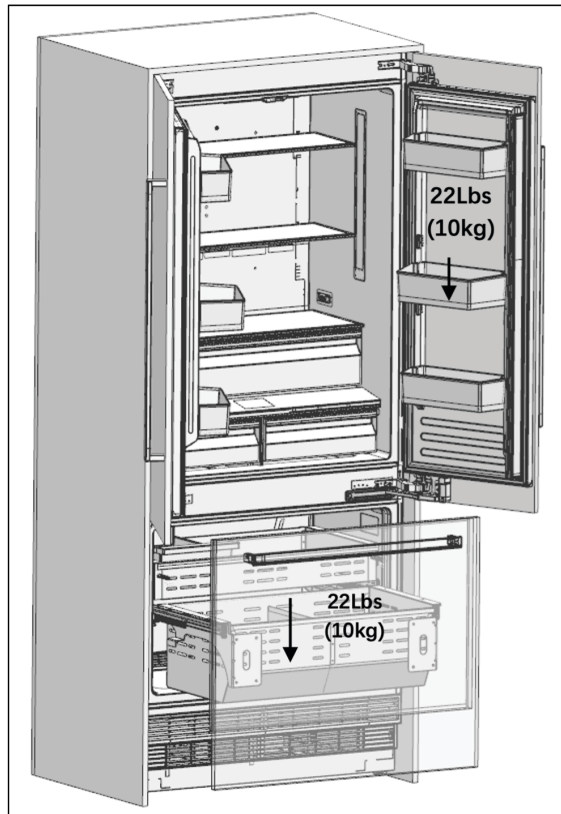
Category	REF30BMBZPNV	REF30BMBPNB	REF36BMBZPNV	REF36FDBZPNV/24
Product weight	342 lb (155 kg)	326 lb (148 kg)	373 lb (169 kg)	355 lb (161 kg)

1.5 Food Load Bearing Capacity of the Doors

Max. load	REF30BMB...N...	REF36BMBZPNV	REF36FDBZPNV/24
Fridge door	55 lb (25 kg)	55 lb (25 kg)	22 lb (10 kg)
Freezer drawer	22 lb (10 kg)	22 lb (10 kg)	22 lb (10 kg)



REF30BMB...N...
REF36BMBZPNV



REF36FDBZPNV/24

2.1 Installation location

You must follow the instructions below:

- > The floor on which the product is to be installed must be capable of bearing 1,200 pounds (544 kg) minimum.
- > The kitchen floor and the bottom of the product must be equally level. Otherwise, problems may occur with the appliance's air flow.
- > There must be no obstructions at the rear and on the side walls of the product's installation location that would prevent its installation.
- > The electrical outlet must be in the correct place.
- > The dimensions of the cabinet where the appliance is to be installed must be in strict conformity with the dimensions provided in the manual.
- > Do not install the appliance adjacent to another fridge/freezer. Otherwise, condensation and damage may occur. (Please see "Dual-Fridge Cabinet Installation" for detailed information).
- > The level of the floor where the product is to be installed must be checked with a bubble level.
- > The installation location must not be exposed to direct sunlight and must be away from heat sources (ovens, radiators, etc.).
- > The ambient temperature must be between 50°F (10°C) and 110°F (43°C). Otherwise, malfunctions may occur when the appliance is running.
- > If it is not possible to avoid installing the product near a heat source, the minimum clearances provided below must be maintained between the appliance and the given source:
 - 1 1/4" (32 mm) from electric ranges or ovens
 - 12" (305 mm) from gas or fuel-powered kitchen ranges or ovens

Please heed the following rules:

- > The electrical outlet or panel must be easily accessible in case of an emergency; it must not be hidden behind the product.
- > Neither the plug nor the cable may touch the back surface of the appliance. Otherwise, it may be damaged by the appliance's vibrations.
- > Do not connect other equipment plugs behind this appliance.

If the humidity level is high where the appliance is being used, its exterior surfaces may become corroded.

To prevent corrosion, keep the installation room dry and well-cleaned.

To prevent the risk of electric shock:

- > Connect the plug to a grounded 3-prong outlet.
- > Do not remove plug's grounding prong.
- > Do not use adapters.
- > Do not use extension cords.



CAUTION:

Failure to follow these instructions may result in fire, electric shock or death. Connecting the appliance's grounding conductor in the wrong place may lead to electric shock. Please have the grounding checked by a qualified electrician or service technician if you have any doubt about the proper grounding of the appliance.

Installation, repairs and other procedures performed by unqualified persons may give rise to hazards. Before installing the appliance, make sure that the voltage, load and circuit current parameters on the data plate are in compliance with the power supply in your house.

The appliance is provided with a NEMA 5-15 P plug and a 3-prong power cord which is in the UL list and ready to be connected to a 120 V, 60 Hz power supply. Fuse is 15 A. The appliance must be connected to a 3-prong socket. The plug must be installed only by a licensed electrician.

If the electrical wiring or the electric power supply of the house requires alteration, the necessary procedures must be performed by a qualified electrician.



CAUTION:

Do not install your refrigerator:

- in an outdoor space,
- in a location with dripping water,
- in a location where the temperature is lower than 50°F (10°C).

2. BEFORE INSTALLATION

2.2 Cabinetry

Make sure that the cabinetry inside which you will install the appliance has been securely mounted in your kitchen.

Your cabinet must be properly secured to the floor and to the wall using appropriate mounting hardware.

For the best installation, clearances between the cabinet and the appliance must be in compliance with the measurements specified in the installation instructions.

The side walls must be free of obstructions and their surfaces must be flat. The minimum thickness of the side walls must be 5/8" (16 mm).

The minimum thickness of the door panels to be attached to the appliance must be 3/4" (19 mm).



CAUTION:

There is a stainless steel door option. Please consult your Authorized Service Provider.

2.3 Ventilation

Ventilation openings where the air enters and exits the unit must never be obstructed. The user is responsible for periodically cleaning off the dust and debris that can accumulate on the grill over time.

2.4 Electrical Connection

- > Never use an extension cord.
- > The electrical outlet must be grounded and checked by an authorized technician.
- > The positioning of the electrical wiring must comply with the measurements specified in the manual.



CAUTION:

RISK OF ELECTRIC SHOCK

Electrical grounding is necessary. This appliance is equipped with a three-prong plug to protect you against possible electric shocks.

- Do not remove the round grounding prong from the plug.
- Do not use two-prong grounding adapters.

- Do not use an extension cord to supply power to the product.



CAUTION:

Do not connect the grounding cable to the gas line. Please have the grounding checked by a qualified electrician if you are not sure about the grounding of the appliance. Do not install a fuse on the neutral line or on the grounding circuit.



WARNING:

Please wait for 3-6 hour before connecting the appliance to the power supply, in order to protect it against possible damage. This will allow the balance of the refrigerant and the lubricants in the system to be restored.

2.5 Water Connection (where applicable)

- > Water supply pressure must be within the range specified in the manual.
- > The location of the water line connection must comply with the area measurements specified in the manual.



Note:

A bypass plug is recommended for the water filtering system if a reverse osmosis system is used.

2.6 Tool List

The tools to be used when installing the product are as follows:



Cordless drill



Safety goggles



1/2" wrench



Hammer



Ladder



Ø 2.4 drill bit



Ø 8.0 drill bit



Box cutter



Safety gloves



Tape measure



Phillips-head bit



1/4" hex bit



Bubble level



Appliance dolly

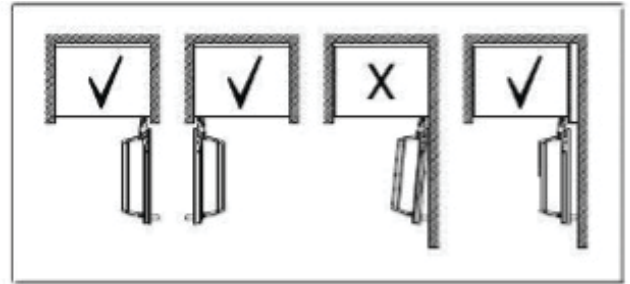


Tape

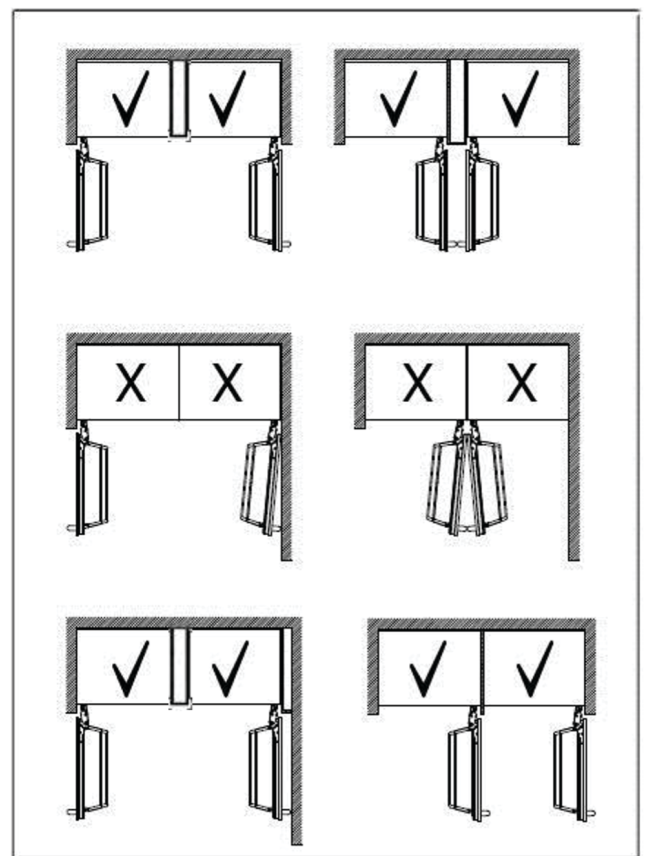
2.7 Alternatives for Installation

The appliance can be installed in a variety of ways depending on the kitchen design. It must be installed in a location where it is certain that the door can be opened and closed properly. If the doors cannot open up to at least 90 degrees the appliance drawers will not be able to be opened.

• Single-fridge cabinet placement methods



• Dual-fridge cabinet placement methods



2.8 Preparation for Installation

The instructions below refer to a built-in installation.

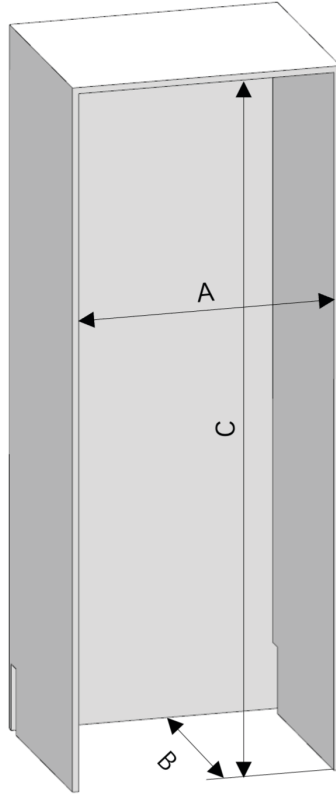
In a built-in installation, the appliance is installed in a cabinet niche or framed in with panels.

Niche Dimensions

- The niche dimensions below must be checked before beginning the installation.

2. BEFORE INSTALLATION

Category		REF30BMB...N...	REF36BMBZPNV	REF36FDBZPNV/24
A	width	30" (762 mm)	36" (914 mm)	36" (914 mm)
B	depth	25" (635 mm)	25" (635 mm)	25" (635 mm)
C	height	84" (2134 mm)	84" (2134 mm)	84" (2134 mm)



2.9 Location of the Electrical Wiring

The location of the electrical outlet in the cabinet where the product is to be installed must be within the area shown in the figure.



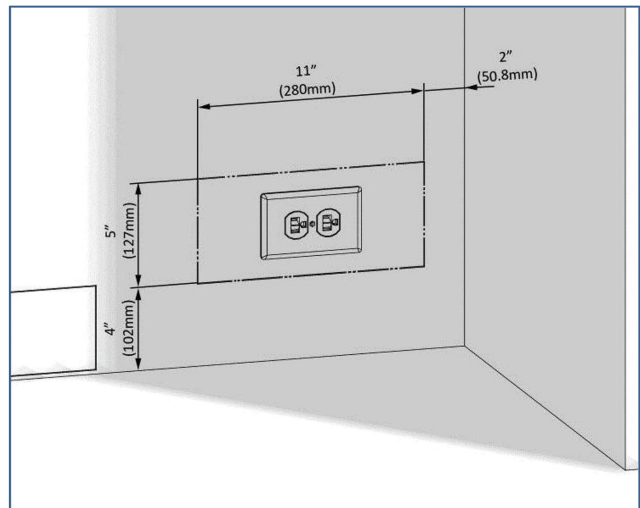
CAUTION:

Do not use extension cords or two-prong adapters and do not remove the ground terminal of the grounding cable.



CAUTION:

A qualified electrician must ensure that the poles of the socket are connected correctly. Verify that the grounding of the socket is correct.



2.10 Location of the Water System

The water connected to the water supply must be potable.

The location of the water line connection must be within the area shown in the figure below.

The refrigerator's water system must be connected to the house's main water supply.

The user must be able to switch it on/off using the valve when necessary.

Objects that might pierce the water hoses or cause them to twist must not be present where the water line is installed.

The pressure of the water system must be between 25-80 psi (1.7-5.5 Bar).

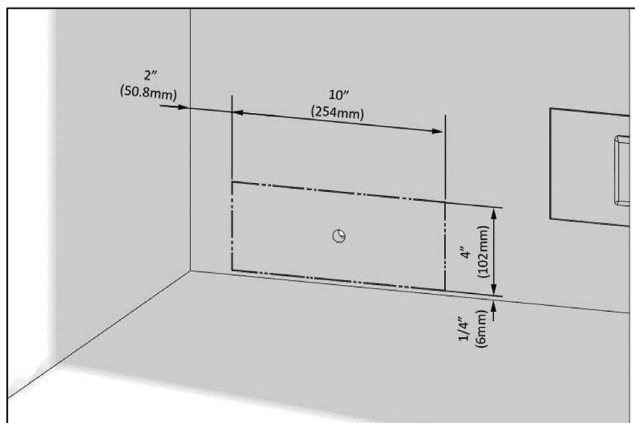
If the water pressure exceeds 80 psi, install a pressure limiting device or water impact protector to the inlet valve. Do not install or operate the appliance if it is possible for the water pressure to exceed 120 psi.



WARNING:

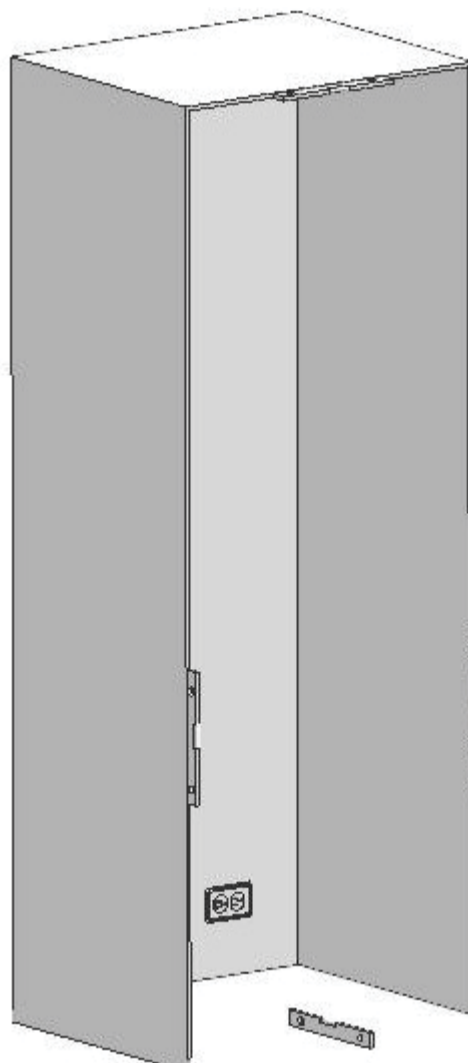
Make sure that there is no water leakage when establishing the water connections. Otherwise, water may damage the cabinetry. The water supply line must be located in the cabinet where the appliance is to be installed. The user must be able to switch it on/off using the valve when necessary. You will need a hose with a minimum length of 60" (1.5 meters) and a diameter of 1/4" for the appliance's water connections during installation. A connector that has a thread with an external diameter of 1/4" must be used to connect the end of the hose to the product.

Before completing the installation, make sure that water flows and that there is no water leakage.



WARNING:

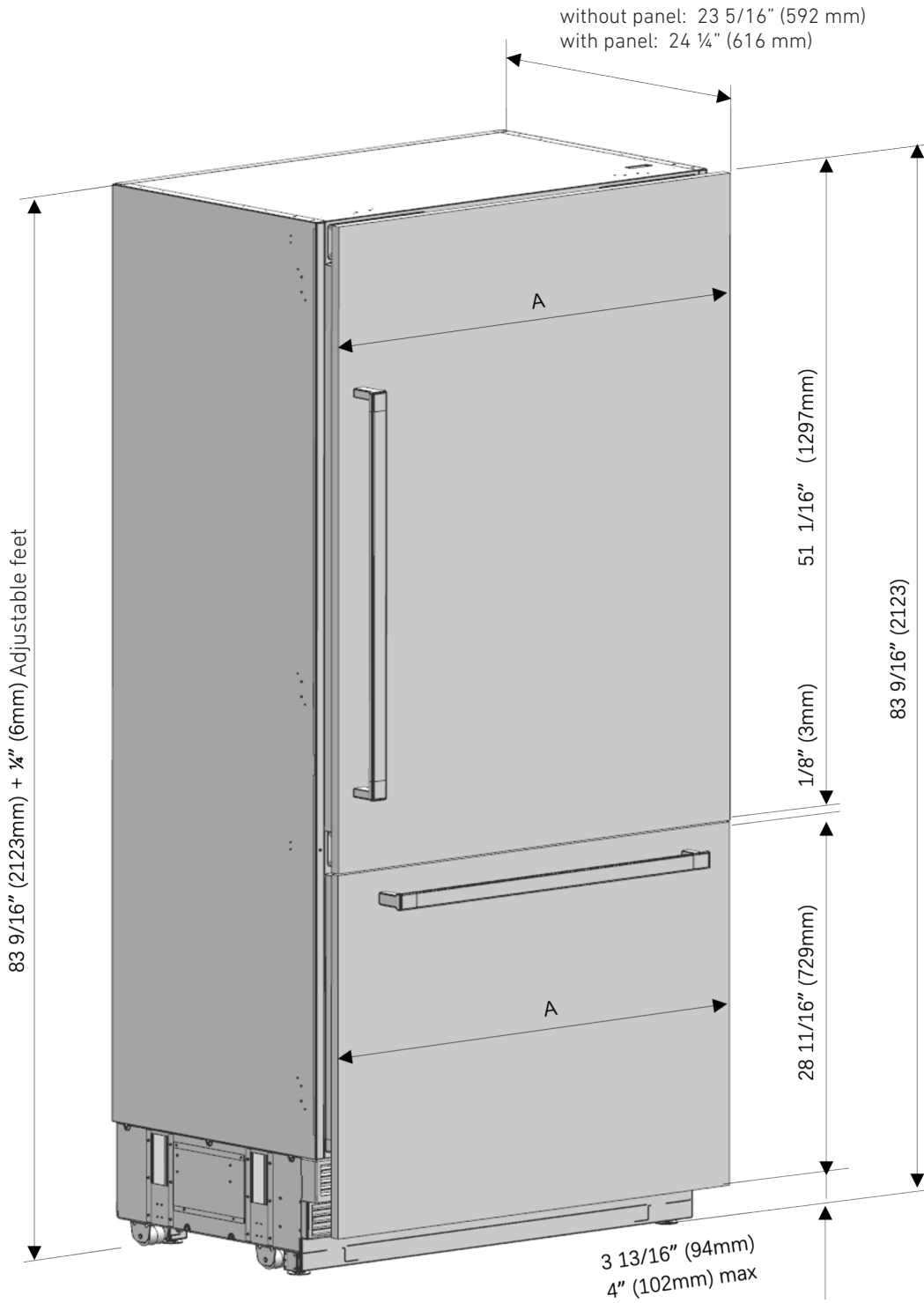
- The level of the floor where the product is to be installed must be checked with a bubble level.
- The cabinet flanges must be checked with a bubble level to ensure that they are perfectly vertical.
- If the appliance is not perfectly level and vertical, problems may arise with the installation.



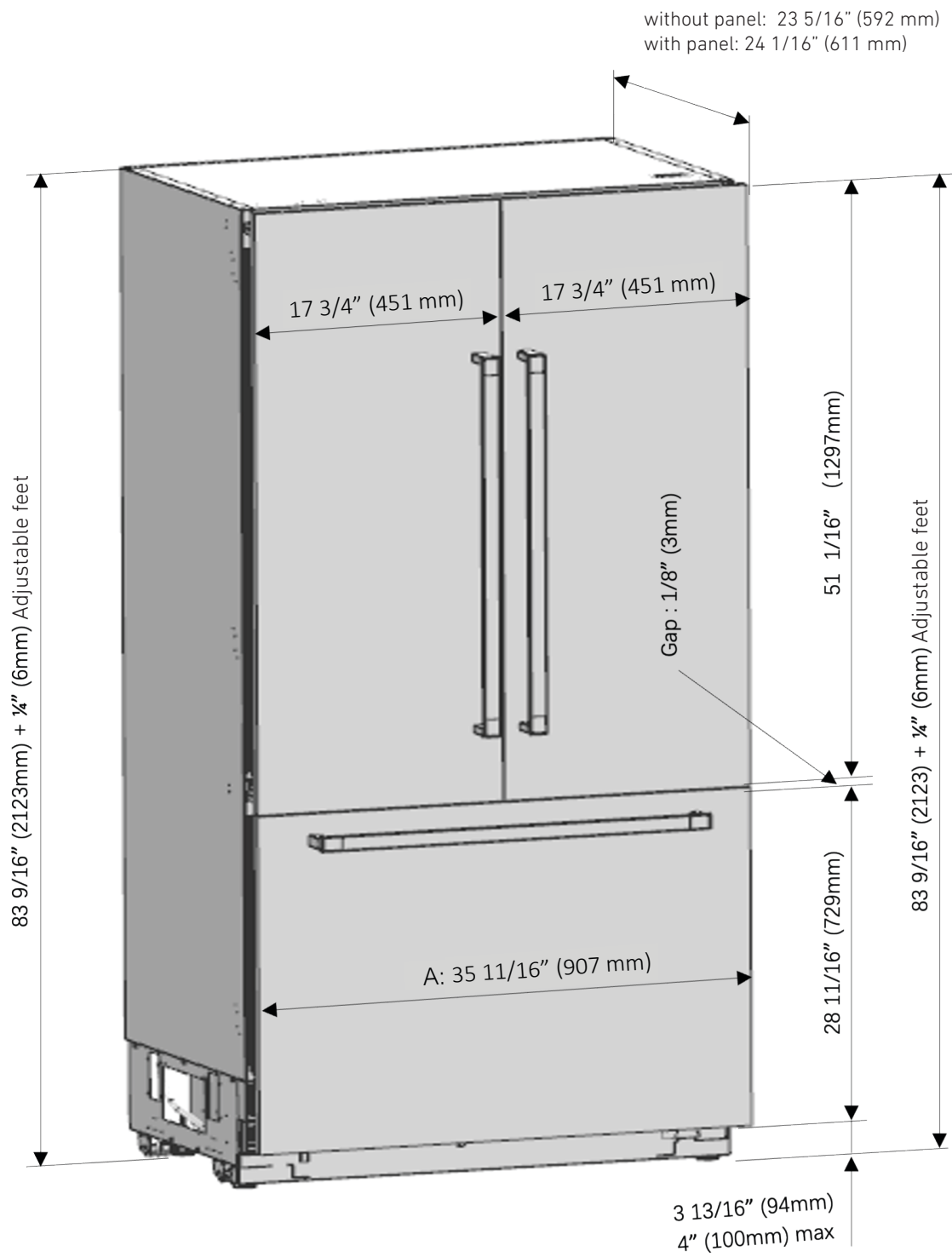
2. BEFORE INSTALLATION

2.11 Product and Panel Dimensions

Category	REF30BMB...N...	REF36BMBZPNV
A	29 3/4" (756 mm)	35 3/4" (908 mm)



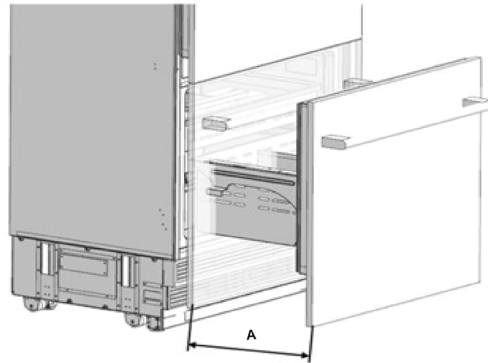
REF30BMB...N...
REF36BMBZPNV



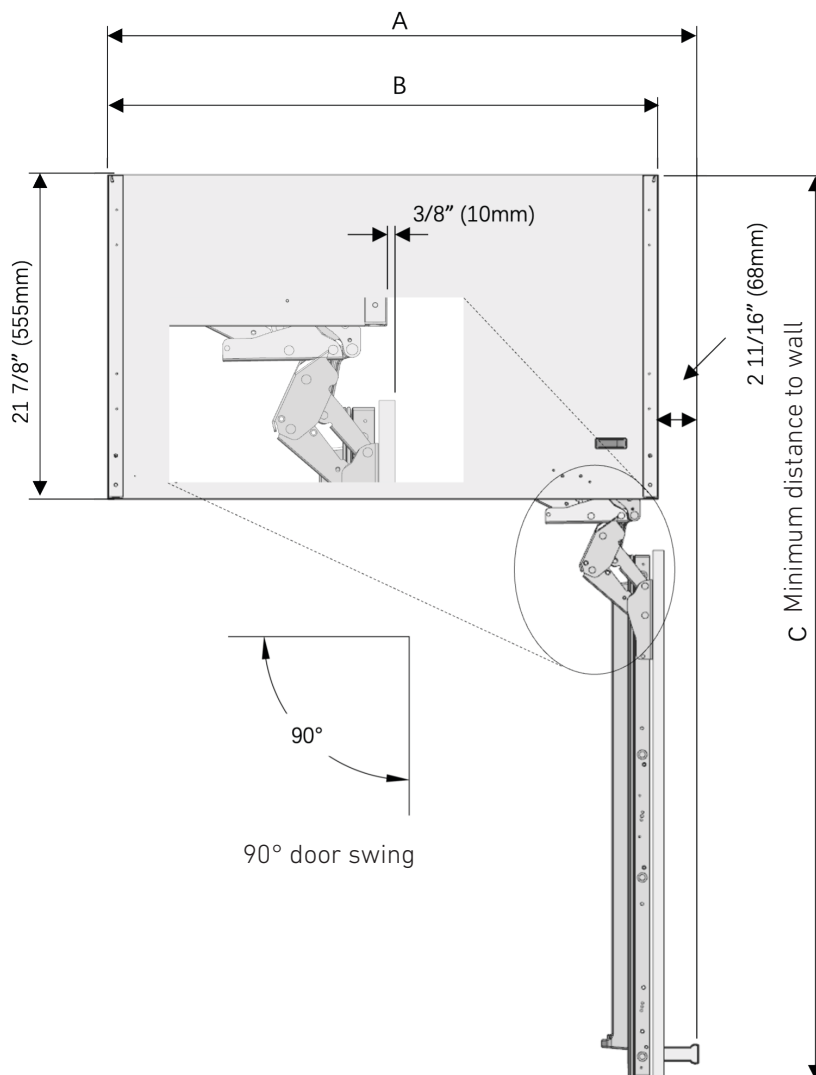
REF36FDBZPNV/24

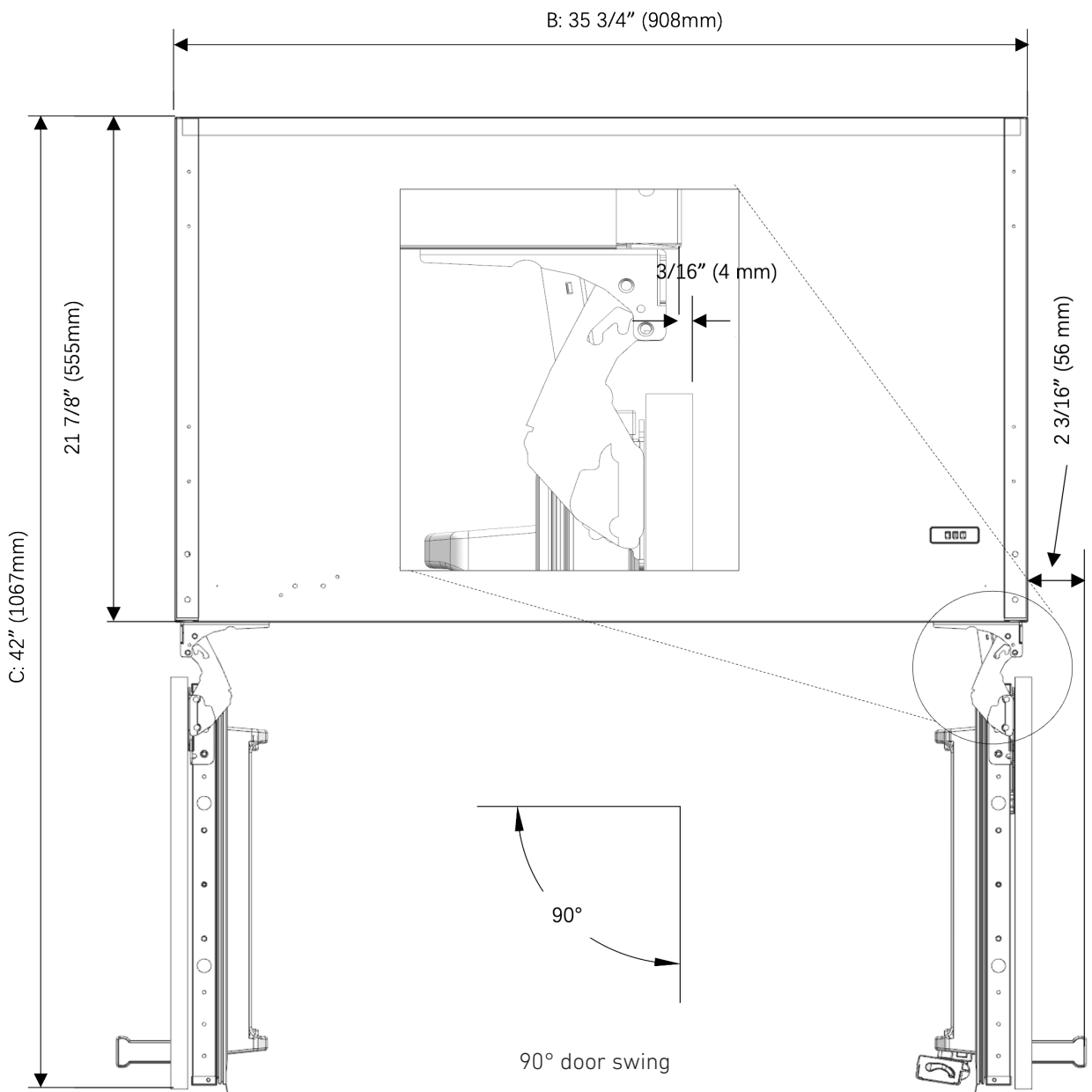
2. BEFORE INSTALLATION

Category	REF30BMB...N...	REF36BMBZPNV	REF36FDBZPNV/24
A	15 1/4" (388 mm)	15 1/4" (388 mm)	15 1/4" (388 mm)



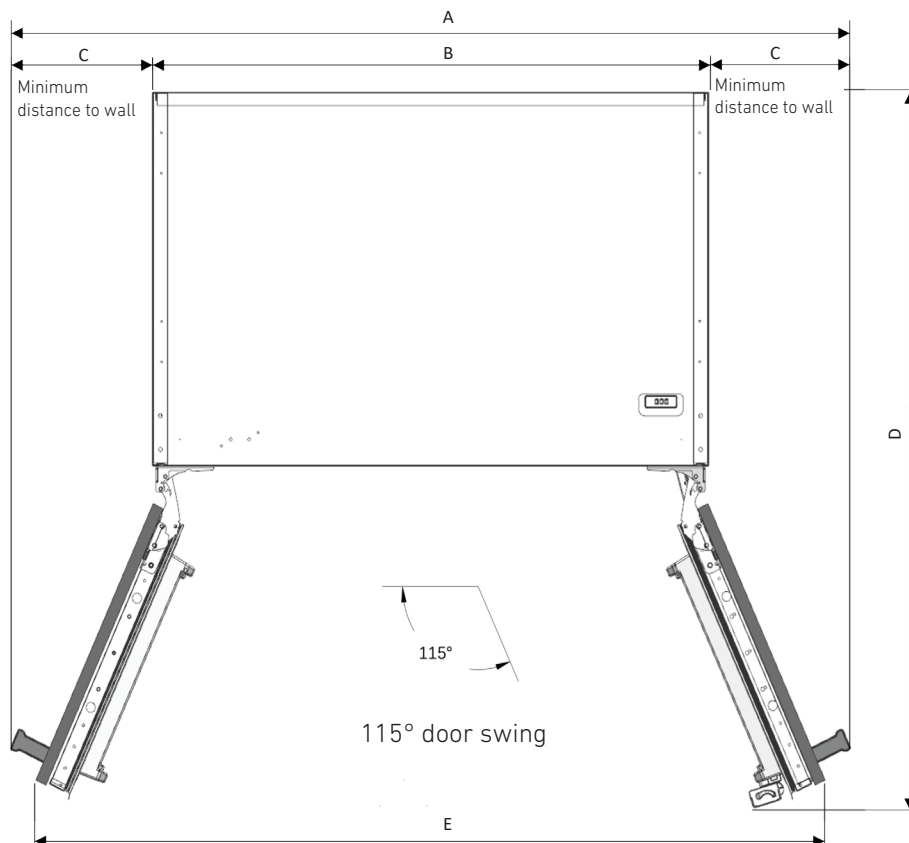
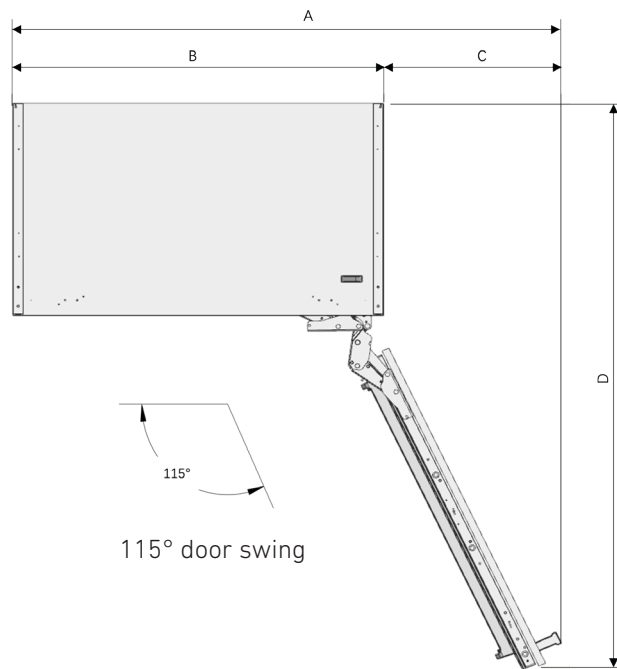
Category	REF30BMB...N...	REF36BMBZPNV	REF36FDBZPNV/24
A	32 7/16" (824 mm)	38 7/16" (976 mm)	41 1/8" (1044 mm)
B	29 3/4" (756 mm)	35 3/4" (908 mm)	35 3/4" (908 mm)
C	55 1/16" (1398 mm)	61" (1550 mm)	42" (1067 mm)

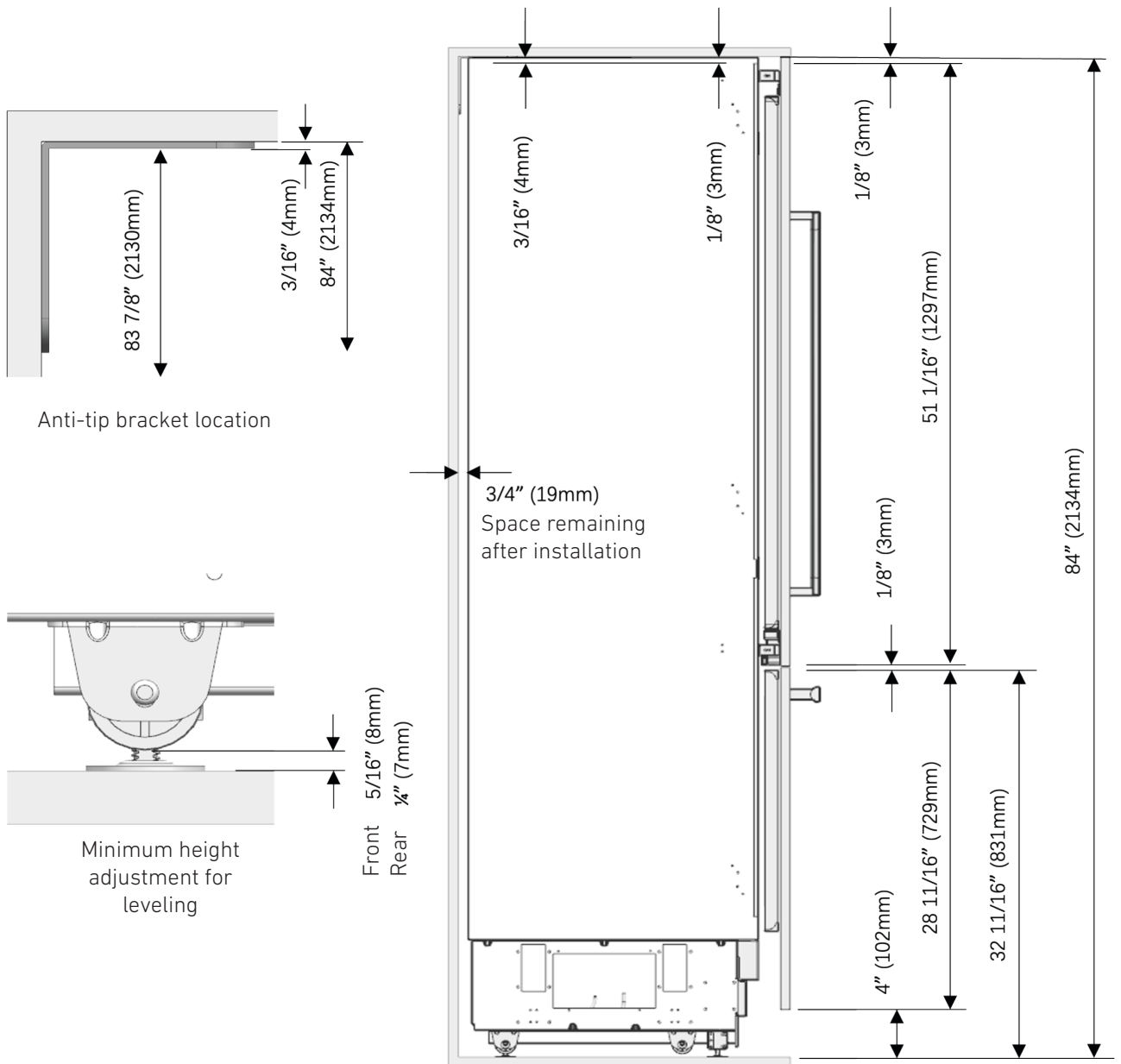




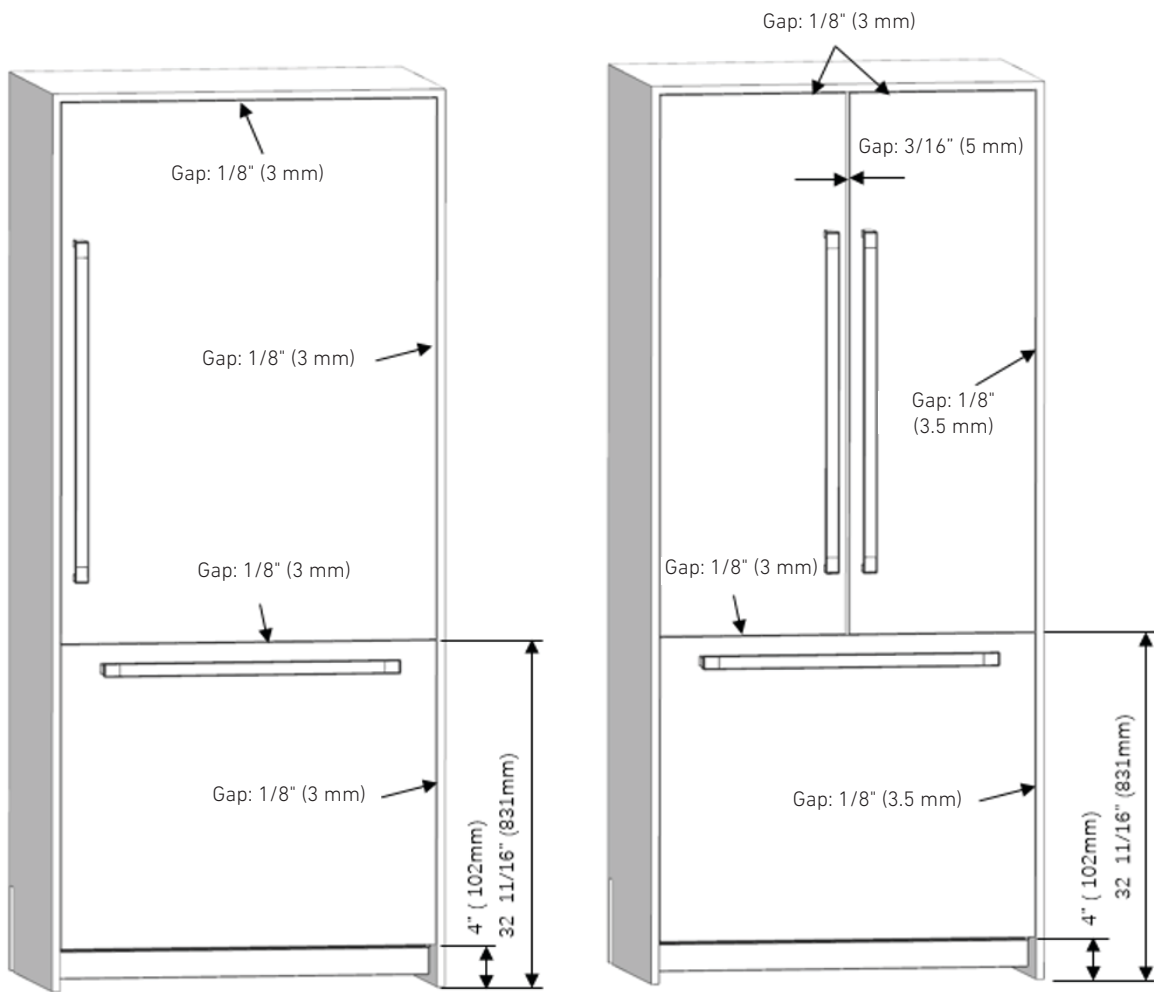
2. BEFORE INSTALLATION

Category	REF30BMB...N...	REF36BMBZPNV	REF36FDBZPNV/24
A	44 3/8" (1127 mm)	54 3/4" (1391 mm)	53 7/8" (1368 mm)
B	29 3/4" (756 mm)	35 3/4" (908 mm)	35 3/4" (908 mm)
C	14 5/8" (371 mm)	19" (483 mm)	9 1/16" (230 mm)
D	52 11/16" (1338 mm)	57 3/4" (1466 mm)	41 3/4" (1061 mm)
E	-	-	50 3/4" (1289 mm)





2. BEFORE INSTALLATION

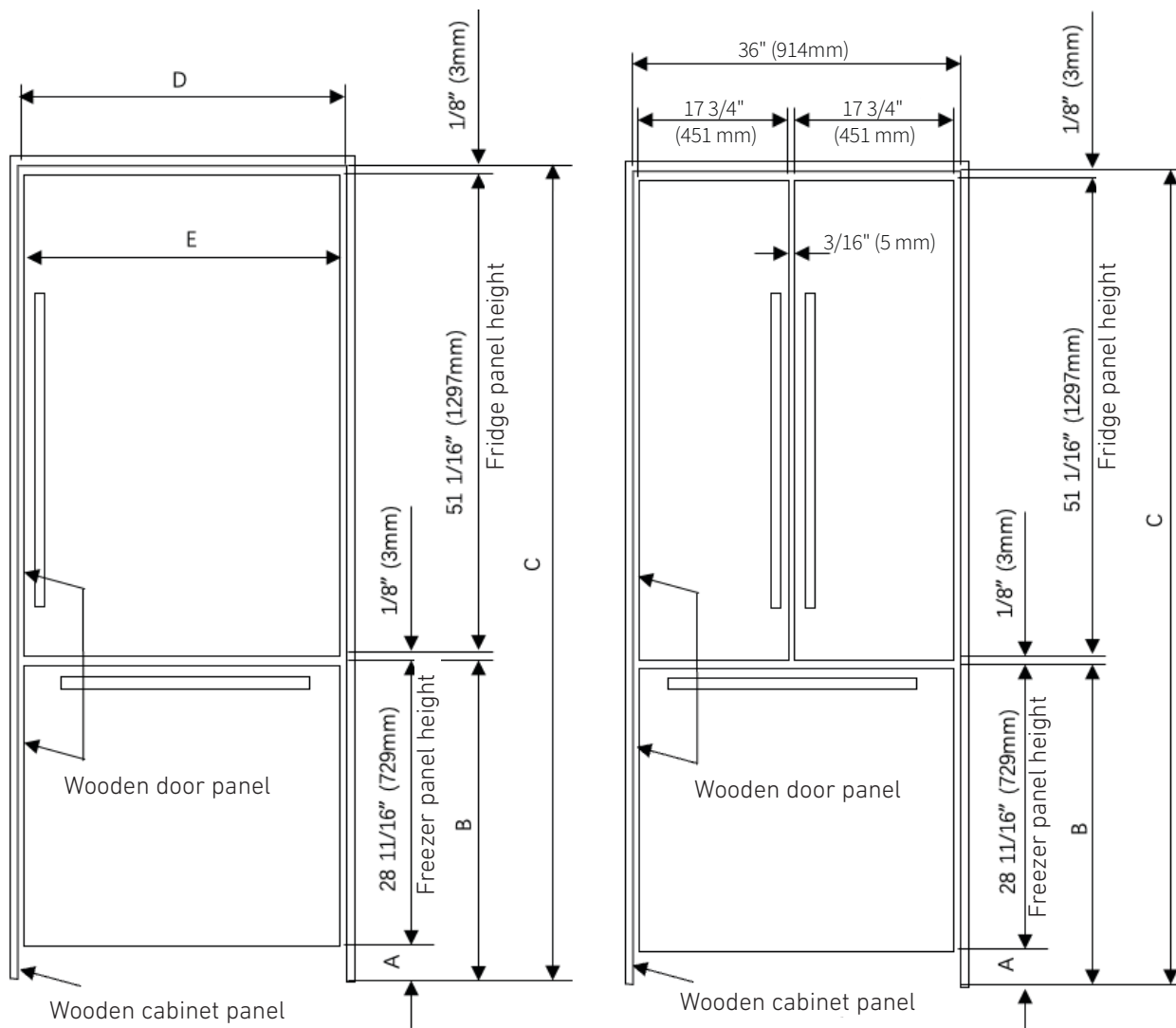


REF30BMB...N...
REF36BMBZPNV

REF36FDBZPNV/24

Height of the kitchen countertop based on the min./max. height of the cabinet

	A	B	C
standard	4" (102 mm)	32 11/16" (831 mm)	84" (2134 mm)
minimum	3 13/16" (97 mm)	32 1/2" (826 mm)	83 13/16" (2129 mm)
maximum	5 3/8" (137 mm)	34 1/16" (866 mm)	85 3/8" (2169 mm)



Category	REF30BMB...N...	REF36BMBZPNV	REF36FDBZPNV/24
D	30" (762 mm)	36" (914 mm)	-
E	29 3/4" (756 mm)	35 3/4" (908 mm)	-

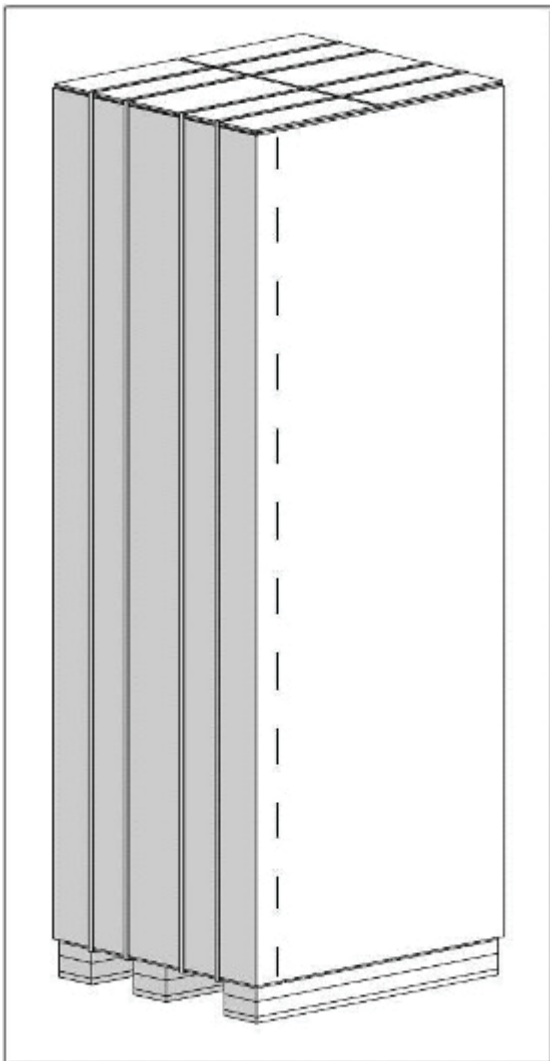
2. BEFORE INSTALLATION

2.12 Unpacking

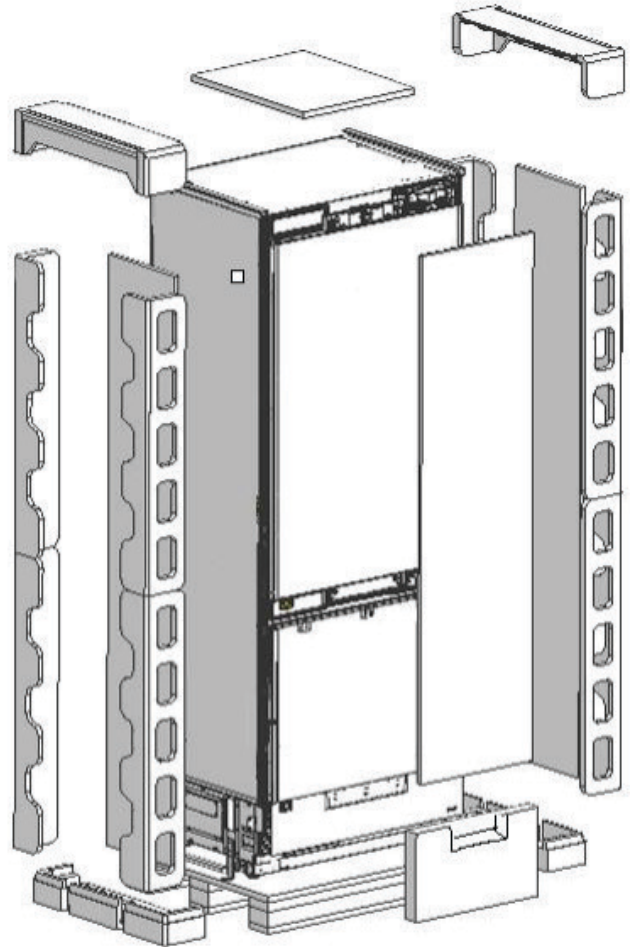
! **WARNING:**
At least two people must carry the refrigerator.



- Use a box cutter to remove the tape.
- Cut the cardboard packaging along the dotted lines using a box cutter and remove it.

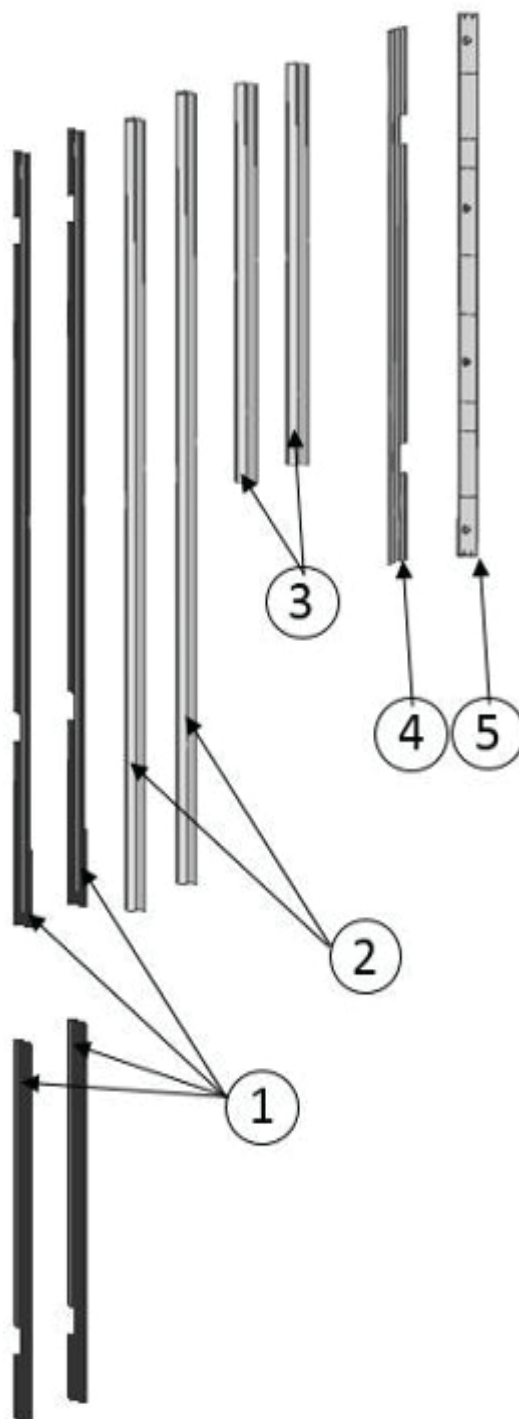


- Remove the polystyrene packing material.



!!! **CAUTION:**
Do not remove the tape from the upper door of the appliance until the refrigerator is placed in the cabinet.
Tipping risk.

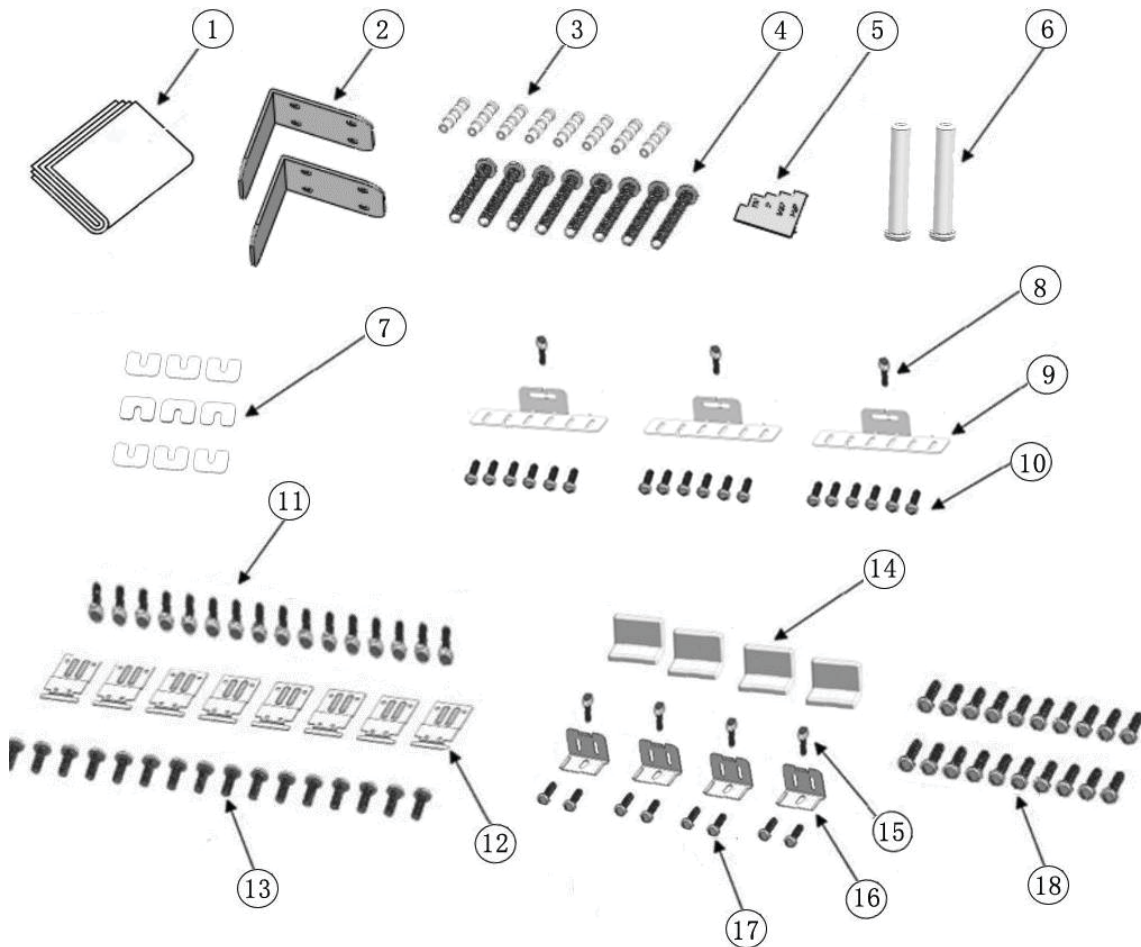
2.13 Removing the Connectors on the Side Wall of the Unit



No.	Part name	Specs	REF30BMB...N...	REF36BMBZPNV	REF36FDBZPNV/24
1	Fridge trim, cabinet side	PVC extrusion, L = 617, L = 1,259	4	4	4
2	Fridge trim, door side	PVC extrusion, L = 1,136	2	2	4
3	Freezer trim, door side	PVC extrusion, L = 556	2	2	2
4	Fridge trim, top of cabinet	PVC extrusion, L = 762, L = 914	1	1	1
5	Cover for the freezer door top	ABS	1	1	1

2. BEFORE INSTALLATION

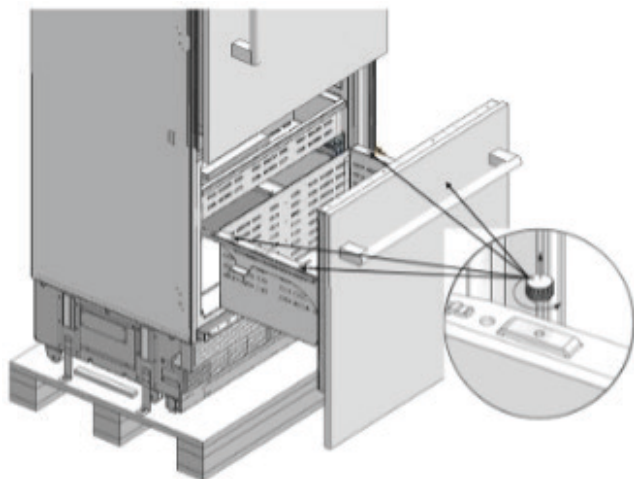
2.14 Removing the Installation Hardware from the Freezer Compartment



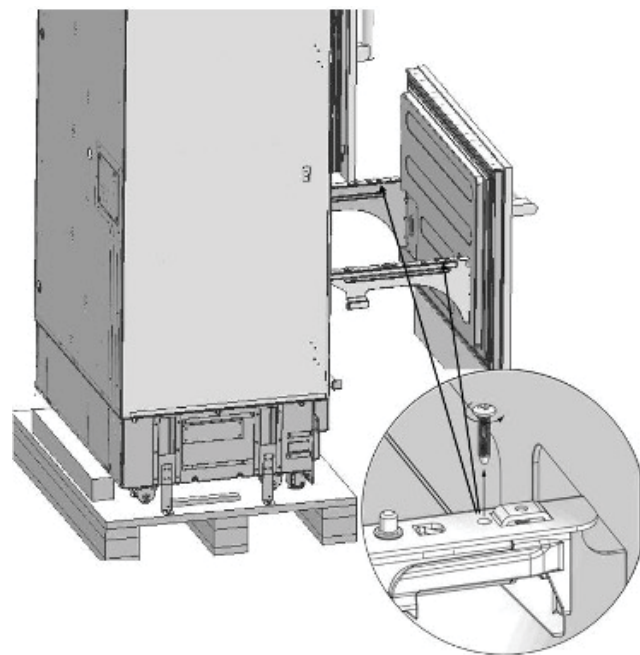
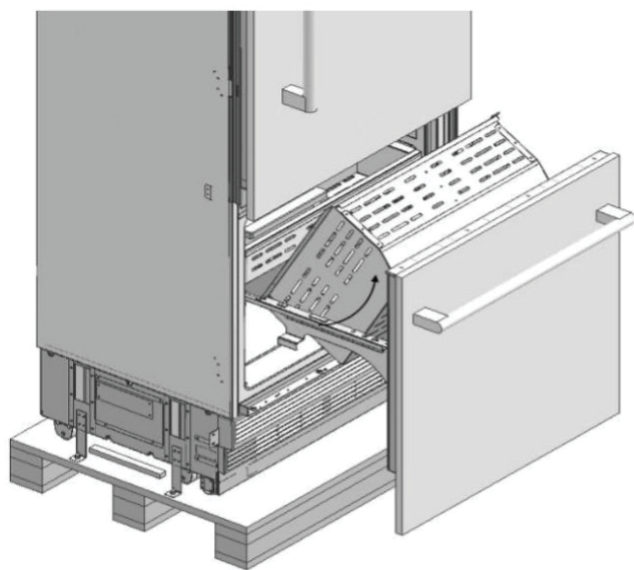
No.	Part name	Specs	REF30BMB...N...	REF36BMBZPNV	REF36FDBZPNV/24
1	Furniture door preparation template	paper	1	1	1
2	Anti tip bracket	T4.0, Zn-coating	2	2	2
3	Dowel		8	8	8
4	Anti tip bracket screws	M8*L60	8	8	8
5	Position adjustment jig	PS	1	1	1
6	90° limiting pins	sus	1	1	2
7	Freezer furniture door adjustment washer	abs	9	9	9
8	Screw freezer door hanger bracket	ST4.8*16, round head screw 3	3	3	3
9	Freezer door hanger bracket	T1.0, Cr+zn-coating	3	3	3
10	Screw freezer furniture door hanger bracket	ST4x14, counter sunk head screw	18	18	18
11	Screw cabinet connecting bracket	M4*12, truss washer head	16	16	16
12	Cabinet- cabin connecting bracket	T1.0, Zn-coating	76	91	92
13	Screw cabin connecting bracket	ST4x14, counter sunk head screw	8	8	8
14	Cover furniture door bracket	abs	16	16	16
15	Screw door fixing bracket	M4*12, truss washer head	4	4	2
16	Door- door furniture connecting bracket	T1.0, Cr+zn-coating	4	4	2
17	Screw furniture door fixing bracket	ST4x14, counter sunk head screw	8	8	4
18	Screw furniture door hanger bracket	ST4x14, counter sunk head screw	20	20	24

2.15 Removing the Freezer Drawer

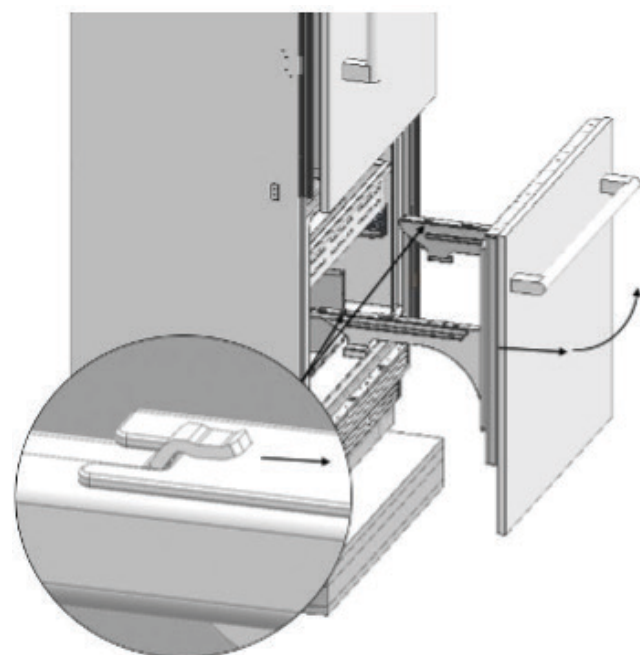
- Remove it manually by removing the 4 knurled screws.



- Remove the lower drawer.



- Pull the door outward to free it from the tabs at the back and remove it.



2.16 Removing the Freezer Door

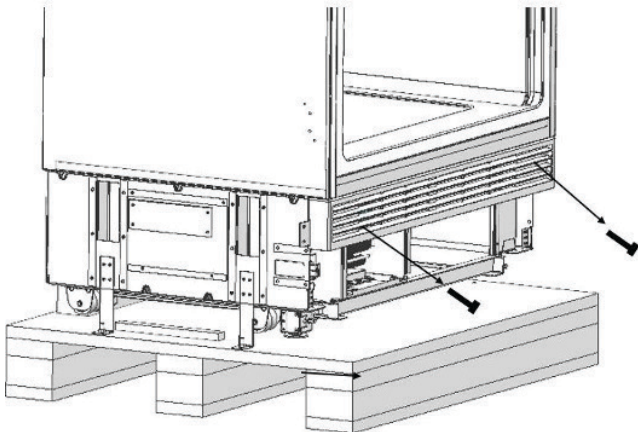
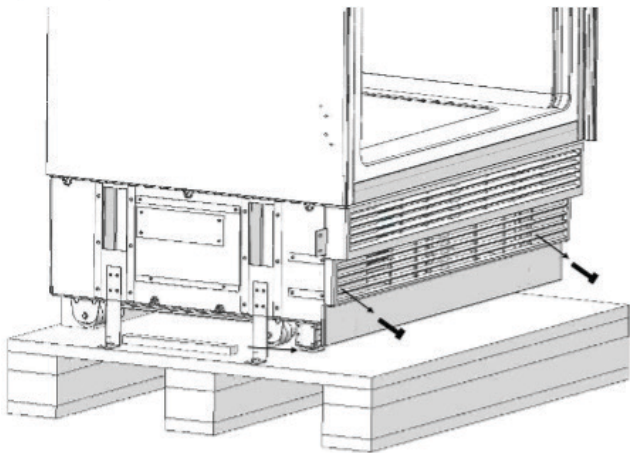
- Remove 2 screws near the front section that connect the freezer the door to the rail.



2. BEFORE INSTALLATION

2.17 Removing the Lower and Upper Ventilation Grill Covers

- Remove the 2 screws on the sides with a screwdriver in order to remove the lower ventilation grill cover.
- Remove the 2 screws on the sides with a screwdriver in order to remove the upper ventilation grill cover.



3.1 Before Installation

Proceed with installation of the product according to the instructions below. Be sure to take into account national and local code requirements regarding installations.

Please comply with the following:

- For the USA, The National Electrical Code, ANSI/NFPA 70 (latest version)/State or Municipal directives and/or regional directives.
- For Canada, The Canadian Electrical Code, C22.1 (latest version)/State or Municipal directives and/or regional directives.

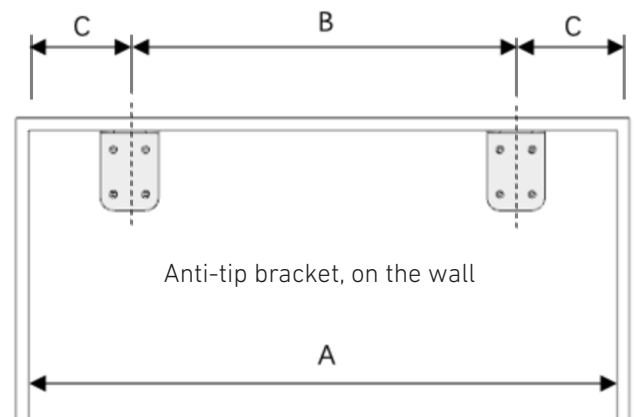
3.2 Mounting the Anti-Tip Brackets

! WARNING: If the unit cannot be secured to the cabinetry (which in turn must be secured to wall) to prevent tipping, make sure to use the supplied anti-tip brackets in order to prevent the appliance from tipping over.

! WARNING: Make sure that there is no electrical or water connection in the adjacent cabinets into which the mounting screws will be screwed to secure the refrigerator.

! WARNING: Please remember to use the necessary protective equipment when drilling holes in the wall and performing the installation.

- Use a tape measure to mark the wall for installation of the anti-tip brackets (2).



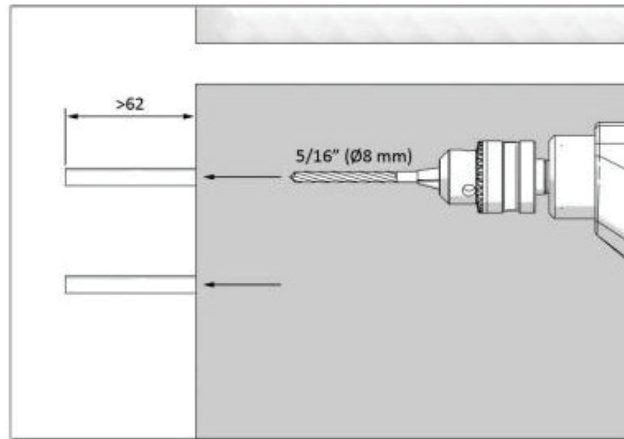
Category	REF30BMB...N...	REF36BMBZPNV	REF36FDBZPNV/24
A	30" (762 mm)	36" (914 mm)	36" (914 mm)
B	23 5/8" (600 mm)	23 5/8" (600 mm)	23 5/8" (600 mm)
C	3 3/16" (81 mm)	6 3/16" (157 mm)	6 3/16" (157 mm)

3. INSTALLATION INSTRUCTIONS

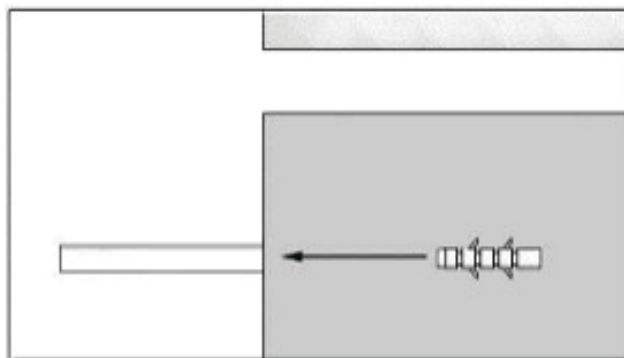
- For the most secure installation, use a stud-finder to secure the anti-tip brackets in wall studs. If no studs are present at the correct installation location, follow the instructions below.

! WARNING: Always make sure that the area to be drilled into is free of any waterlines or electrical circuits, which could cause damage, injury, or death.

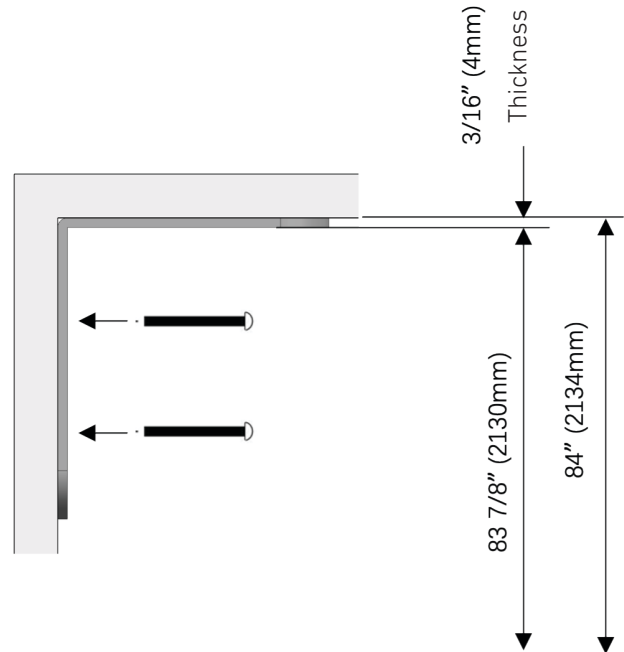
- Use a drill to create holes for wall anchors (#3) at the marked points. (5/16", Ø8)



- Use a hammer to install the wall anchors (#3) if no stud is present.



- Install the anti-tip brackets (#2) in place, using 4 screws (#4) for each. You must use both (two) brackets to ensure that the appliance is safely supported.



NOTE: If you are not confident that the supplied connectors and anti-tip brackets are mounted on the wall as securely as they should be, you can use alternative anti-tip methods. If there is a cabinet panel behind the back wall of the refrigerator, make sure that it is securely fastened to the wall. For this, you need to be sure that the back wall of the cabinet panel is affixed to a wall stud.

Alternative anti-tip method:

If the anti-tip brackets cannot be mounted securely, you must use the alternative method below. For this method, you can use wooden boards to avoid the risk of tipping over.

They must be installed as illustrated in the figure below.

There must be no clearance between the appliance and the wooden support.

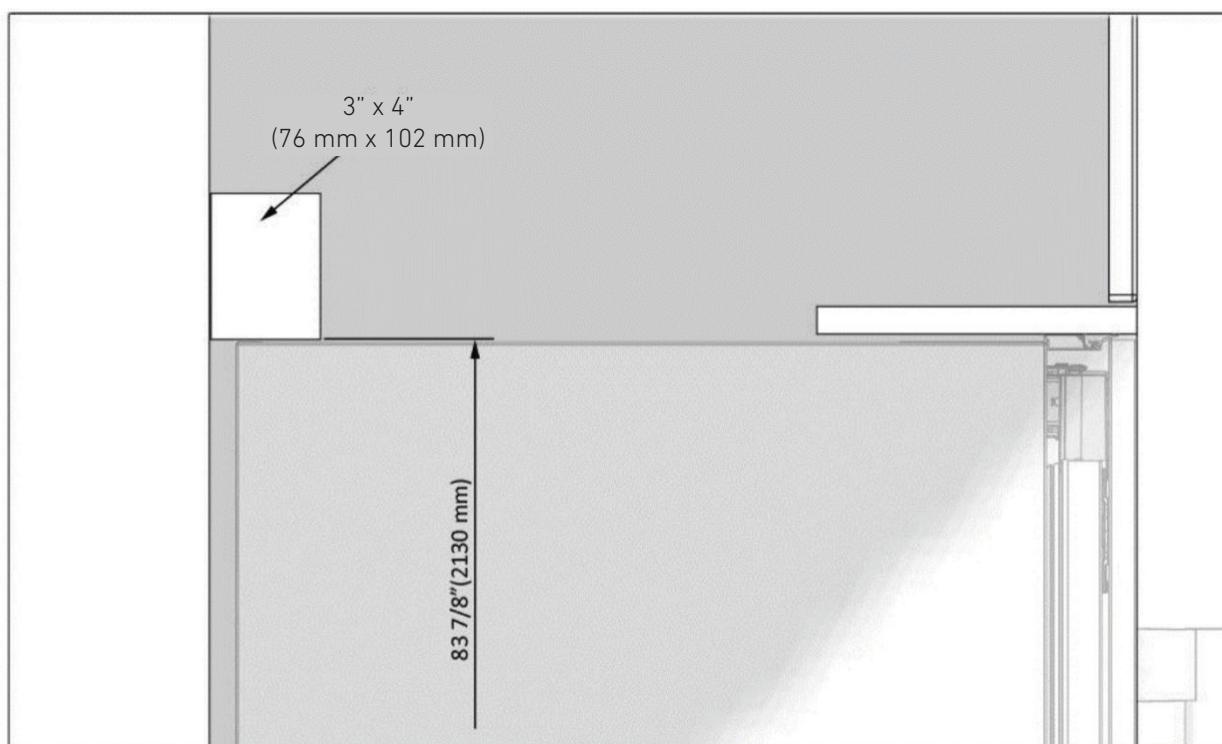
The minimum section dimensions of the wooden support must be 3" x 4" (76 mm x 102 mm). The width of the support must be equal to the clearance where it will be installed. This can be achieved using one 4" x 4" (102 mm x 102 mm) or two 2" x 4" (51 mm x 102 mm) pieces of framing lumber.

The calculation of blocking depth is based on a standard niche depth. If the depth of the niche is greater than 24" (610 mm), ensure the blocking overlaps the upper rear fridge body by 2" (51 mm).

Position the wooden support, mark the location on the rear wall, select suitable screws and mount it securely.

**WARNING:**

The quantity and type of screws or fasteners to be used for affixing wooden blocking must be suitable for ensuring a secure connection to the rear wall.



3. INSTALLATION INSTRUCTIONS

3.3 Preparing the Water Hose and the Electrical Connection

Inspect all water connections for leaks. Water leaks can cause significant damage over time. It is recommended to use a 1/4" water line with a minimum length of 60" (1.5 meters) with a threaded 1/4" female connector end. Before finishing the installation, turn the water on to ensure that water is flowing and that there are no leaks.

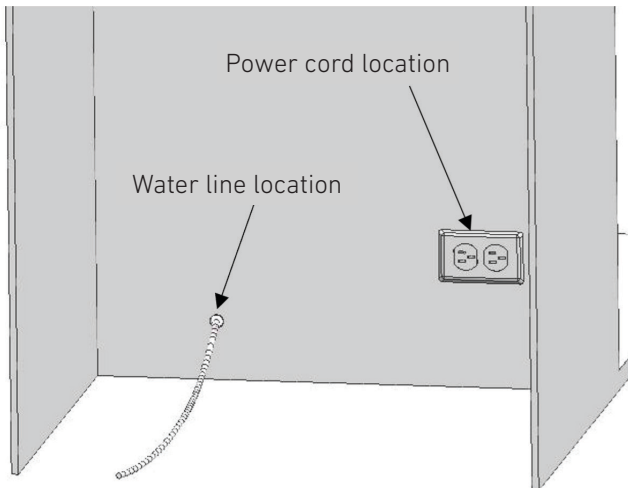
A connector that has a thread with an external diameter of 1/4" must be used to connect the end of the hose to the product.

Allow for sufficient slack in the water supply line, providing a minimum of 10" of length from the base of the unit once it is installed in the niche. This provides some allowance for connections and adjustments if needed.

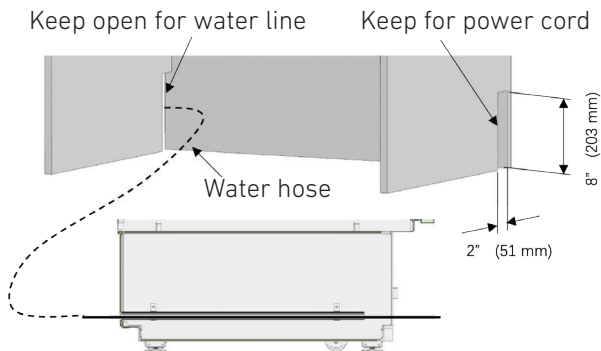
The product must be connected to a 3-prong outlet on a dedicated 15 amp circuit; local electrical and building codes should be respected.

You can choose method A or method B below to prevent the power cord from getting wedged in.

- Method A: Position the water hose and the power supply connections on the back.



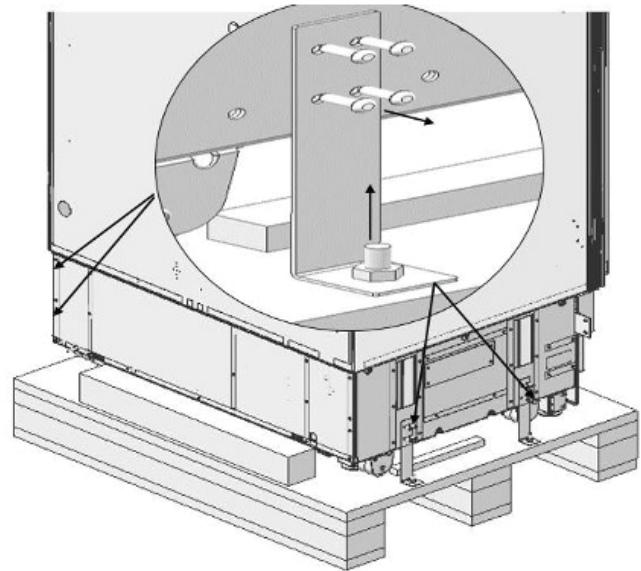
- Method B: Position the water hose and power supply connections on the side.



3.4 Installation in the cabinet

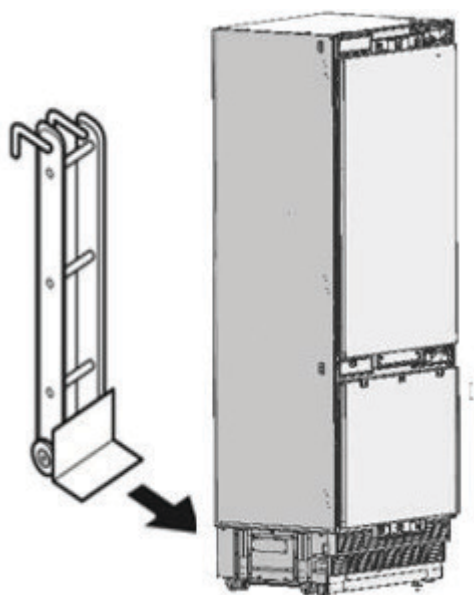
Taking the Refrigerator from the Wooden Pallet

- Remove the brackets which secure the refrigerator to the wooden pallet as shown below.



- Slowly tilt the refrigerator back and remove it from the pallet, taking care not to damage the underside of the unit. When transporting the unit, always carry it from the sides to ensure that the unit's feet remain on the base of the appliance dolly.



**NOTE:**

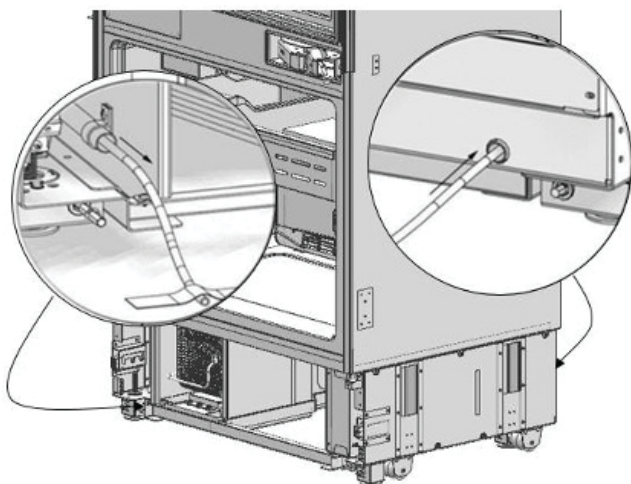
Exercise extreme caution when handling the unit, as the underside of the fridge has components vital to its proper operation; damage to these components could result in a malfunction or potential leakage of condensate and damage to floors.

**CAUTION:**

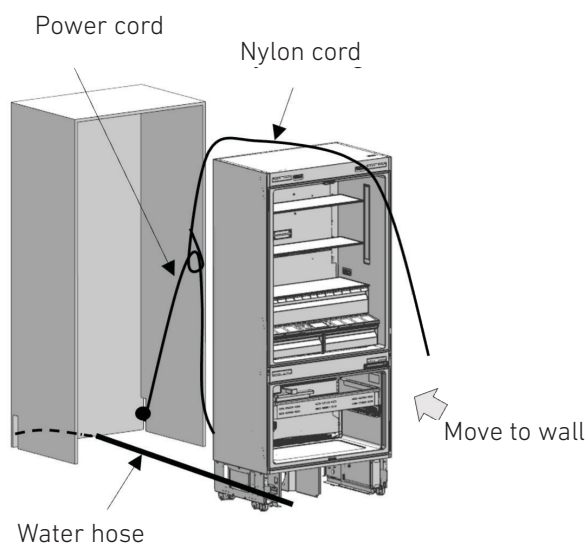
The risk of tipping over is high from this point forward. You should not open the doors until the product is placed into the cabinet.

Placing the refrigerator into the cabinet niche.

- Insert the water supply hose into the channel opening at the back of the unit and pull it through to the front of the unit to ensure that the water connection can be made once the unit is installed in the niche.

**NOTE:**

Use the method below to prevent the cord from getting wedged in.



Connect the electrical plug to the power outlet. Turn on the unit to ensure it has power. (To see if the product is operating, check if the lamps in the freezer compartment are on or off).

**NOTE:**

Protect the front edges of the cabinet niche with masking tape; this will help protect them from damage when pushing the unit back into the niche. Use some packing tape to secure the excess electrical cord to the back of unit to prevent slack from catching under the unit during installation.

**NOTE:**

The unit's plug must be accessible after installation. If the plug is not accessible after installation, the power must have a dedicated circuit breaker which can be accessed to cut power off using the main switch.

**WARNING:**

Make sure that the power cord does not get wedged in when placing the product.

- Push the product carefully towards the cabinet to position it; the unit should slide into the niche with relative ease. If you experience resistance while placing the product in the cabinet:
 - The floor might be uneven.
 - The adjustable feet might be loose (please

3. INSTALLATION INSTRUCTIONS

see the relevant section to learn how to adjust the adjustable feet).

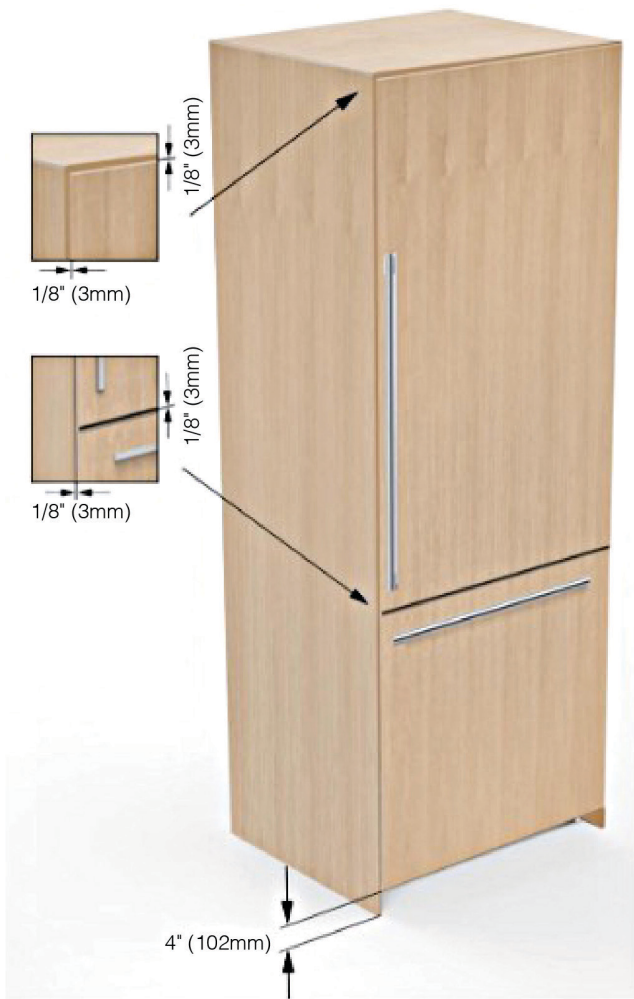
- You must attach the freezer door temporarily to align the product before placing it.



NOTE:

Use the upper edges of the fridge and freezer doors to align the unit in the niche opening.

Adjustment of other edges is explained in the following pages.



Adjusting the height of the refrigerator within the niche

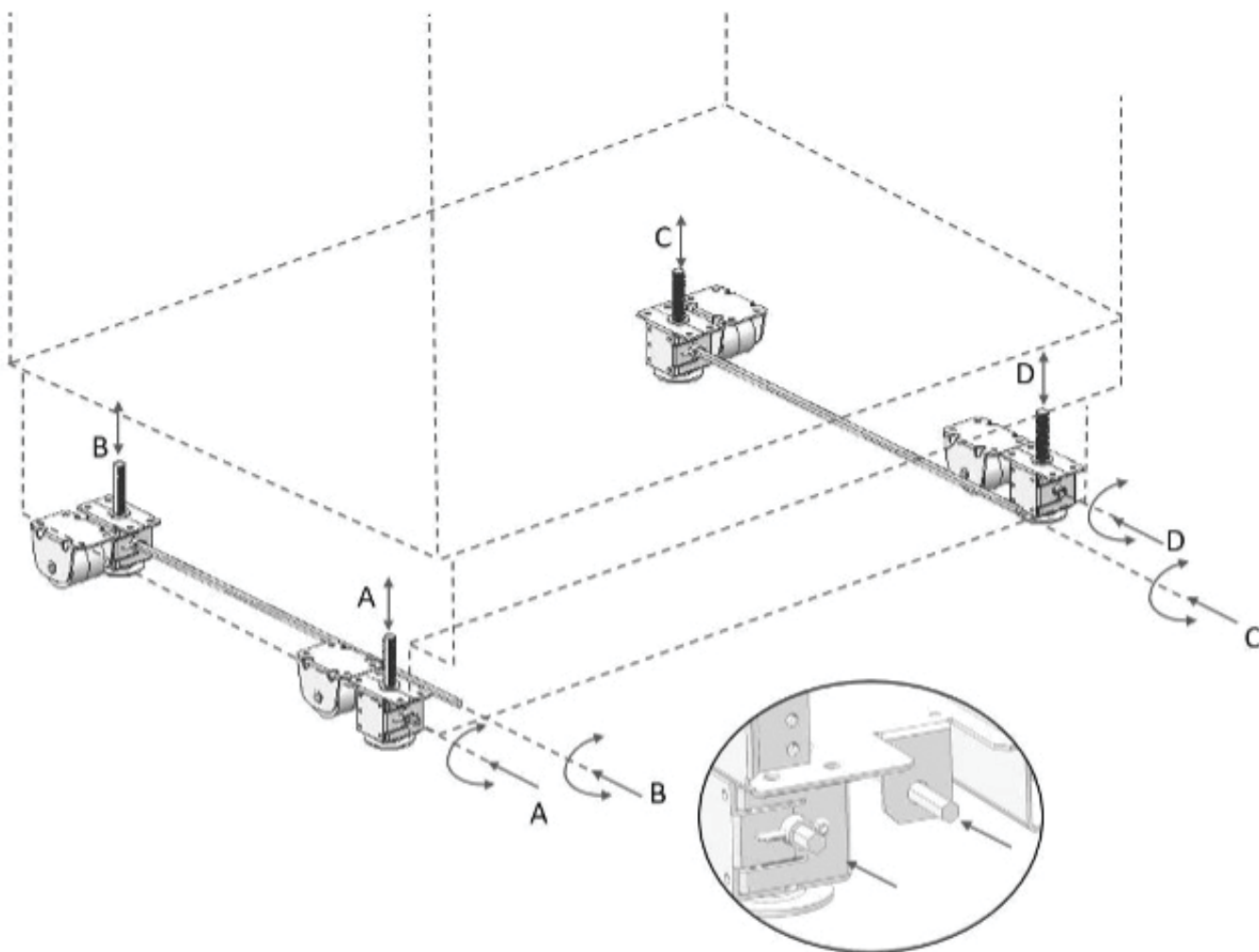
- Use the adjustable leg mechanism to raise, lower and level the unit in the niche as per the diagram below.



WARNING:

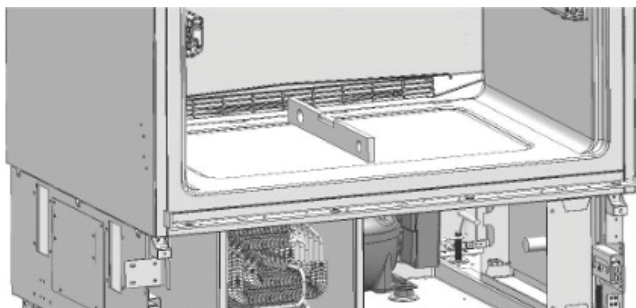
Once the unit is pushed into the niche, raise the front feet first; this will reduce the risk of the unit tipping forward during the height adjustment process.

The maximum height that the adjustable feet can reach is 1 9/16" (40 mm).



A/D –Turn the adjusting rod clockwise to lift the front

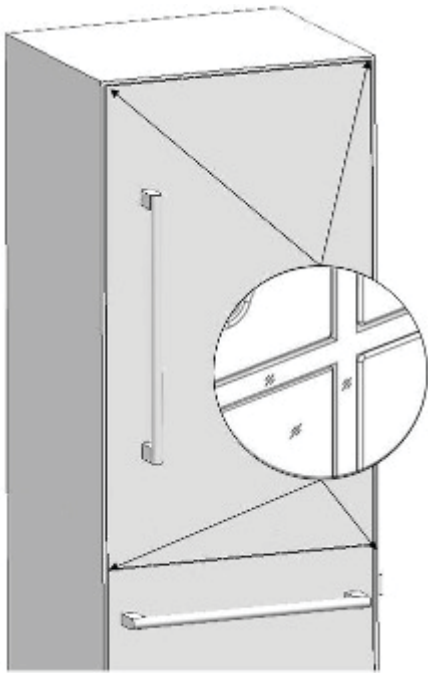
B/C –Turn the adjusting rod clockwise to lift the rear



Adjusting the refrigerator based on the cabinet niche.

- After adjusting the adjustable feet, check that the appliance is level both side-to-side and back-to-front by placing a level on the floor of the freezer compartment (the drawer should be removed for this).
- For products with stainless steel panel doors, adjust the position of the unit so that the door and the cabinet surface are flush and a min. 1/8" distance from panels and cabinet sides is ensured.

3. INSTALLATION INSTRUCTIONS



- For panel-ready units, the refrigerator should be installed at a depth that takes into consideration the custom overlay panel thickness, so as to ensure a flush installation, if desired.



NOTE:

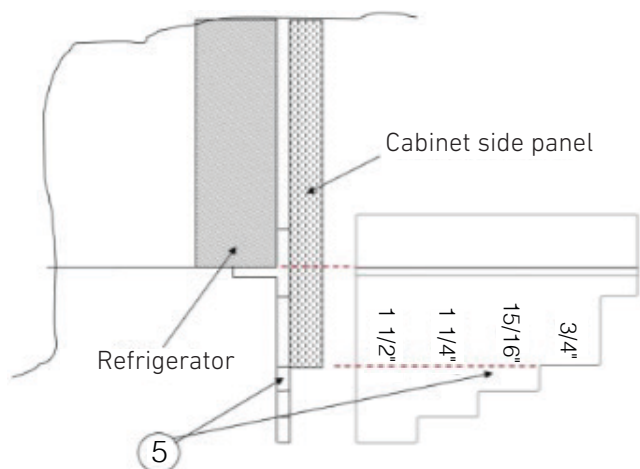
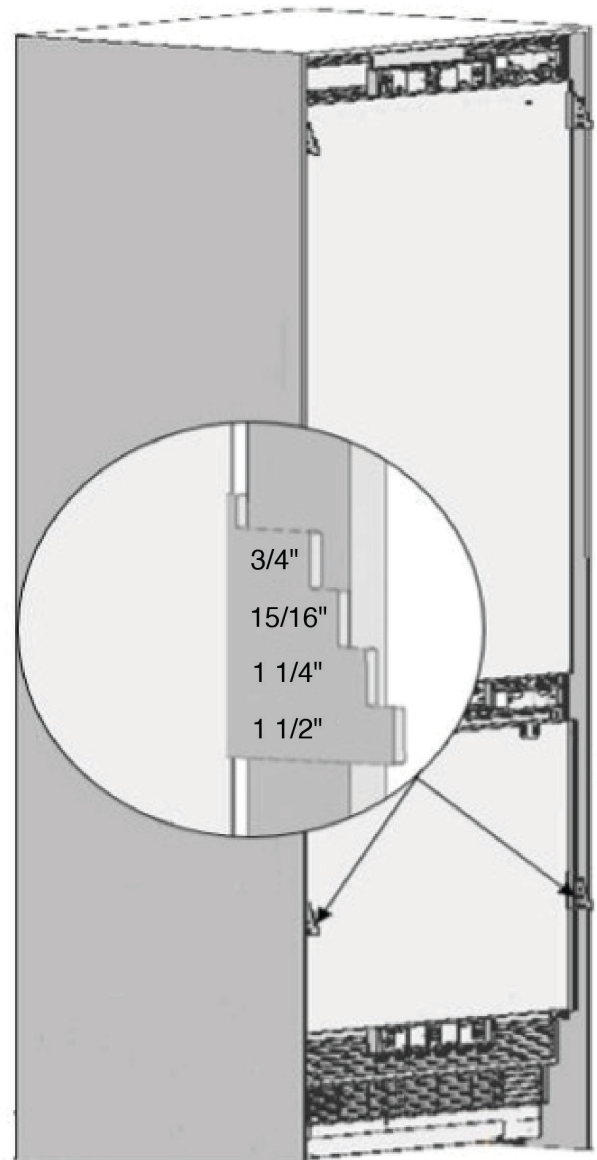
It is important to align the upper edge of the freezer drawer when aligning the unit, as its height and position are fixed. All of the other panels can be adjusted using the adjustment mechanisms built into the mounting hardware. As shown below, an installation depth template tool is provided for your convenience.

- Adjust the position of the level adjustment part (#5) based on the thickness of your door panel. Part #5 facilitates alignment of the unit to the side cabinets for 4 different door panel thicknesses.



WARNING:

On the French Door Bottom Mount REF36FDBZPNV/24 model can only be mounted panels with a thickness up to 3/4" (19 mm)



**NOTE:**

The niche must be designed to accommodate the minimum depth requirement plus the thicker door panel, if desired. Regardless of door thickness, the maximum panel weights must always be respected, or the product warranty will be void.

**NOTE:**

Drilling a pilot hole in the side gable for reference could make the mounting process easier.

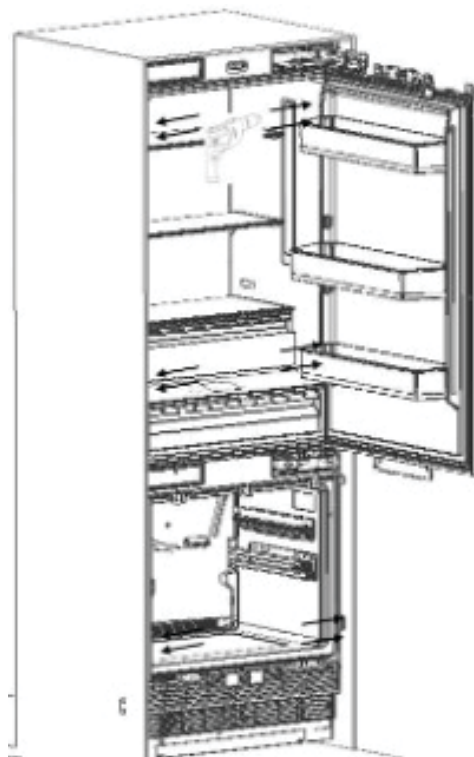
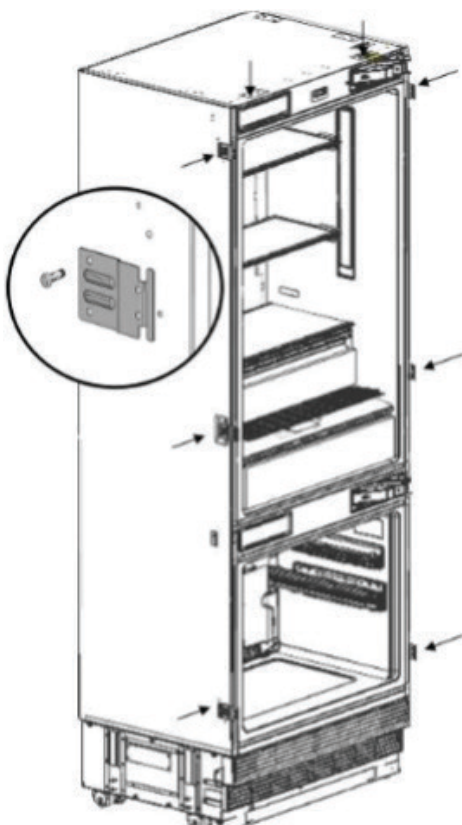
**SCREWING IN THE SIDE BRACKETS**

- Mount the side brackets (#12) on the unit, with 2 on the top and 3 on each side. Use 2 screws (#11) for each bracket to tighten them in place.

**WARNING:**

Before screwing the side brackets into the cabinet gables, ensure the screw is shorter than the gable thickness, otherwise the finished side may be damaged.

Before beginning to screw on the side and upper brackets, make sure that the unit is connected to power, that water (if applicable) is being supplied to the appliance and that the water connection has been tested for leaks.



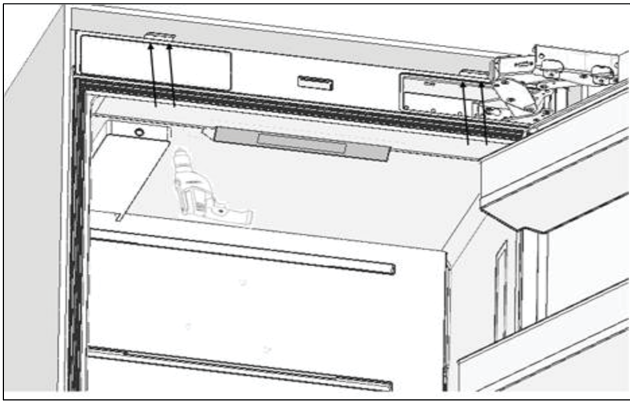
- Use 16 screws (#13) to join the brackets to the cabinet.

**NOTE:**

Drilling a pilot hole in the side gable for reference could make the mounting process easier.



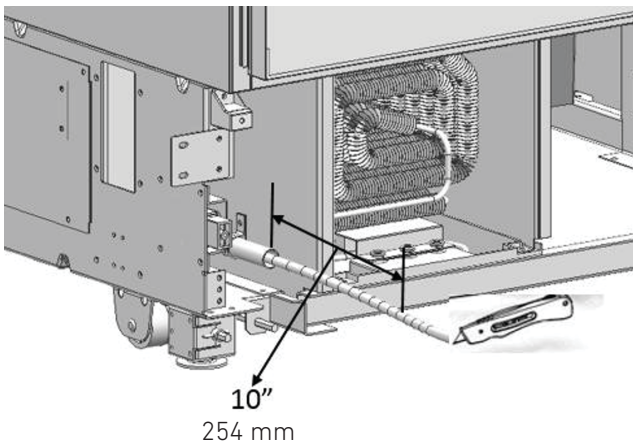
3. INSTALLATION INSTRUCTIONS



INSTALLING THE BOTTOM CABINET

Complete the water connection

- Use a cutter to cut off any excess waterline length, allowing sufficient slack of 10" (254 mm) to ensure an easy bend and clear connection, with no tension or potential kinks in the supply line that runs to the connector.



- Use 2 wrenches to firmly connect both the hose that runs from the supply and the connection to the valve on the refrigerator.

! WARNING: The hose that runs from the water supply must be one piece. Do not use extension hoses.

! WARNING: Make sure that the power is cut off when establishing the appliance's water connection.

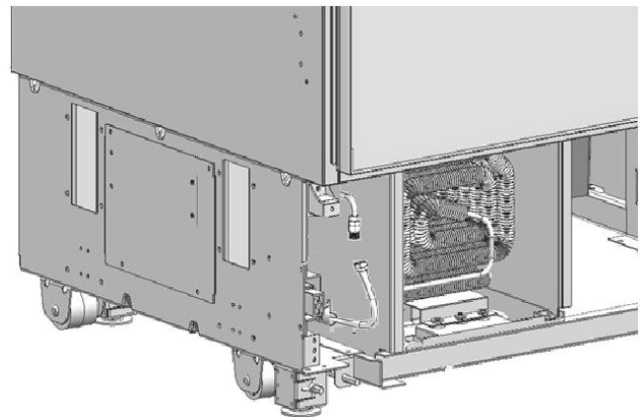
! WARNING: The water valve must be closed when connecting the water hose.

! WARNING: It is recommended to keep the water valve accessible after product installation.

! WARNING: This appliance is suitable for use with a cold potable water supply only.

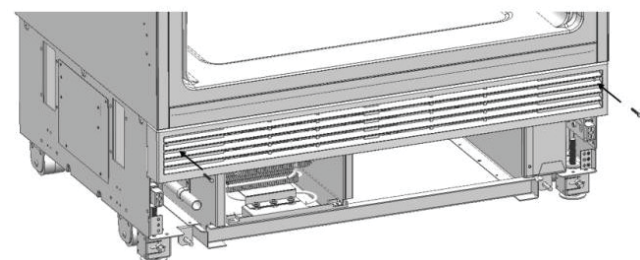
! WARNING: The pressure of the water system must be between 25-80 psi (1.7-5.5 Bar).

📎 NOTE: Once the connection is complete, you must open the water valve and make sure that there is no leakage.



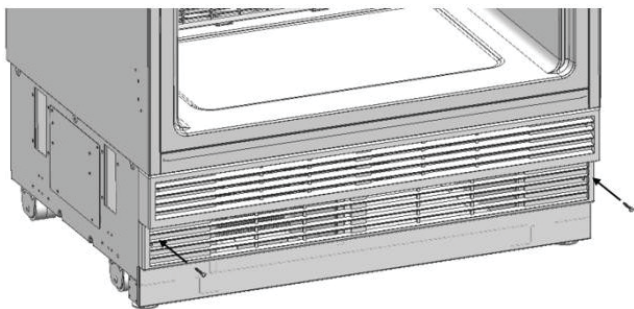
ATTACHING THE UPPER VENT APERTURE COMPONENT

- Use 2 screws to attach the upper vent aperture component.



ATTACHING THE LOWER VENT APERTURE ASSEMBLY

- Use 2 screws to attach the lower vent aperture component.



NOTE:

The lower grill can be adjusted to accommodate the cabinet toe kick. Also, a piece of decorative cabinet toe kick material can be affixed to the lower grill to match the cabinets, provided there is no obstruction to vent grills and air flow.

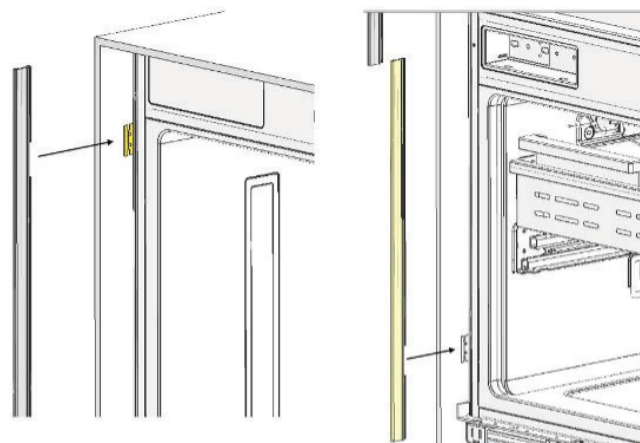


WARNING:

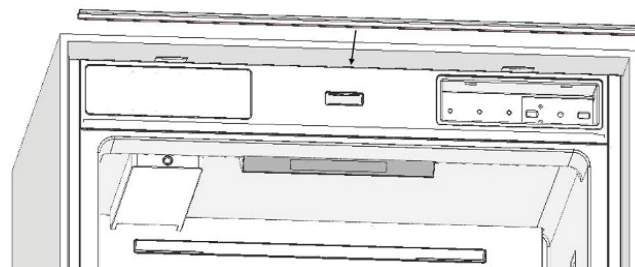
If installing a one-piece cabinet toe kick across the front of the fridge, you must ensure proper air flow and no obstruction to the vent grills.

ATTACHING THE DECORATIVE TRIM COVERS

- The decorative side trim is a soft plastic material with a barbed end intended to be inserted between the cabinet side and the appliance body (#1), onto the right/left connection brackets. Some trimming may be required to ensure the trim pieces can fit around the brackets; the thickness of the barbed end may also require trimming depending on the width of the gap between the side body and the cabinet gable.



- Push in the top trim (#4) on the upper connection bracket.



3.5 Overlay Panel Installation and Preparation

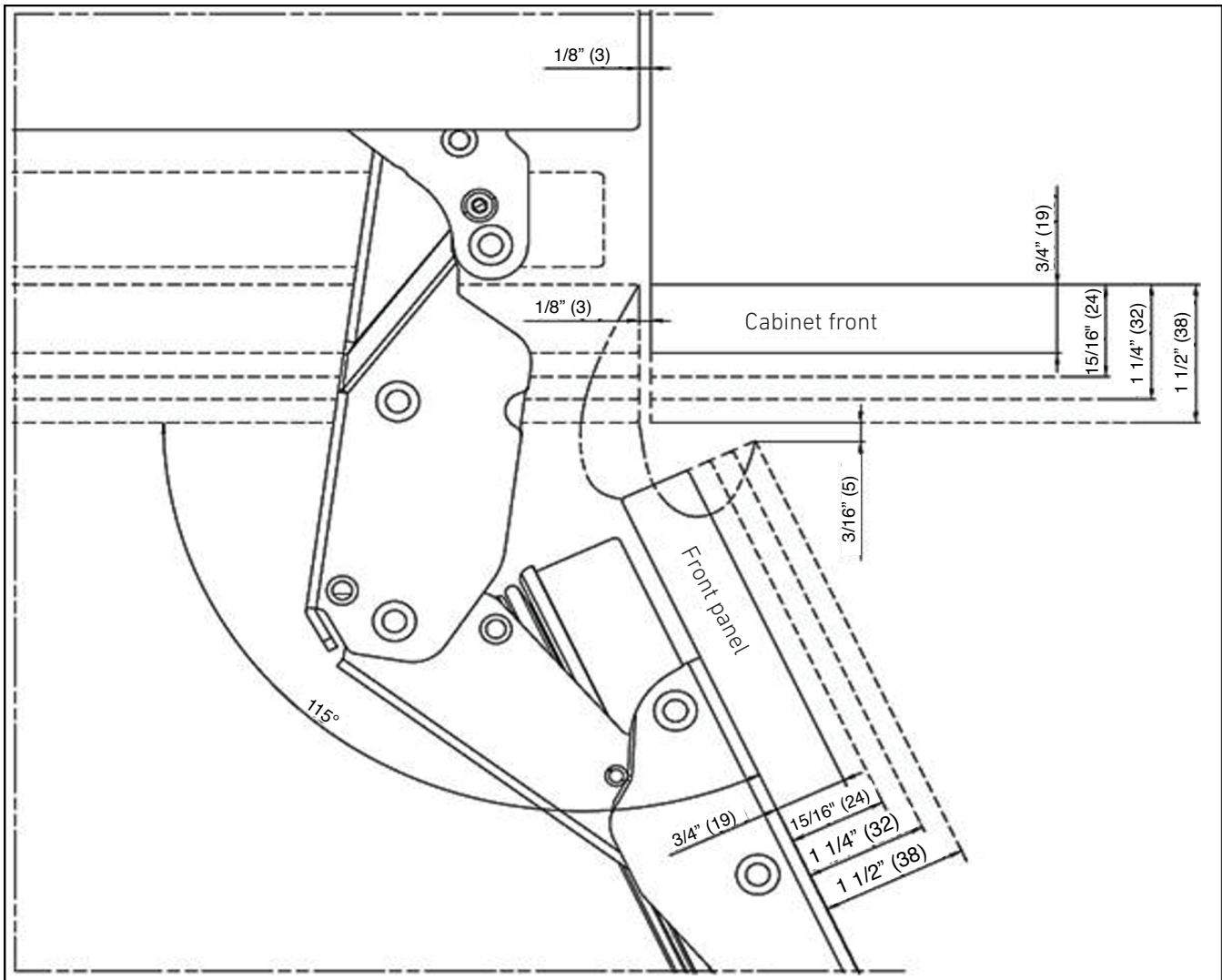
This section contains information about preparing the cabinet doors and mounting them on the product.



WARNING:

Maximum weights of the panels to be mounted on the unit are as follows:
 Bottom Mount Fridge Door: 35 lbs (16 kg)
 French Door Fridge Doors: 44 lbs (20 kg)
 Freezer Door: 20 lbs (9 kg)

3. INSTALLATION INSTRUCTIONS



CHOOSING THE DOOR THICKNESS

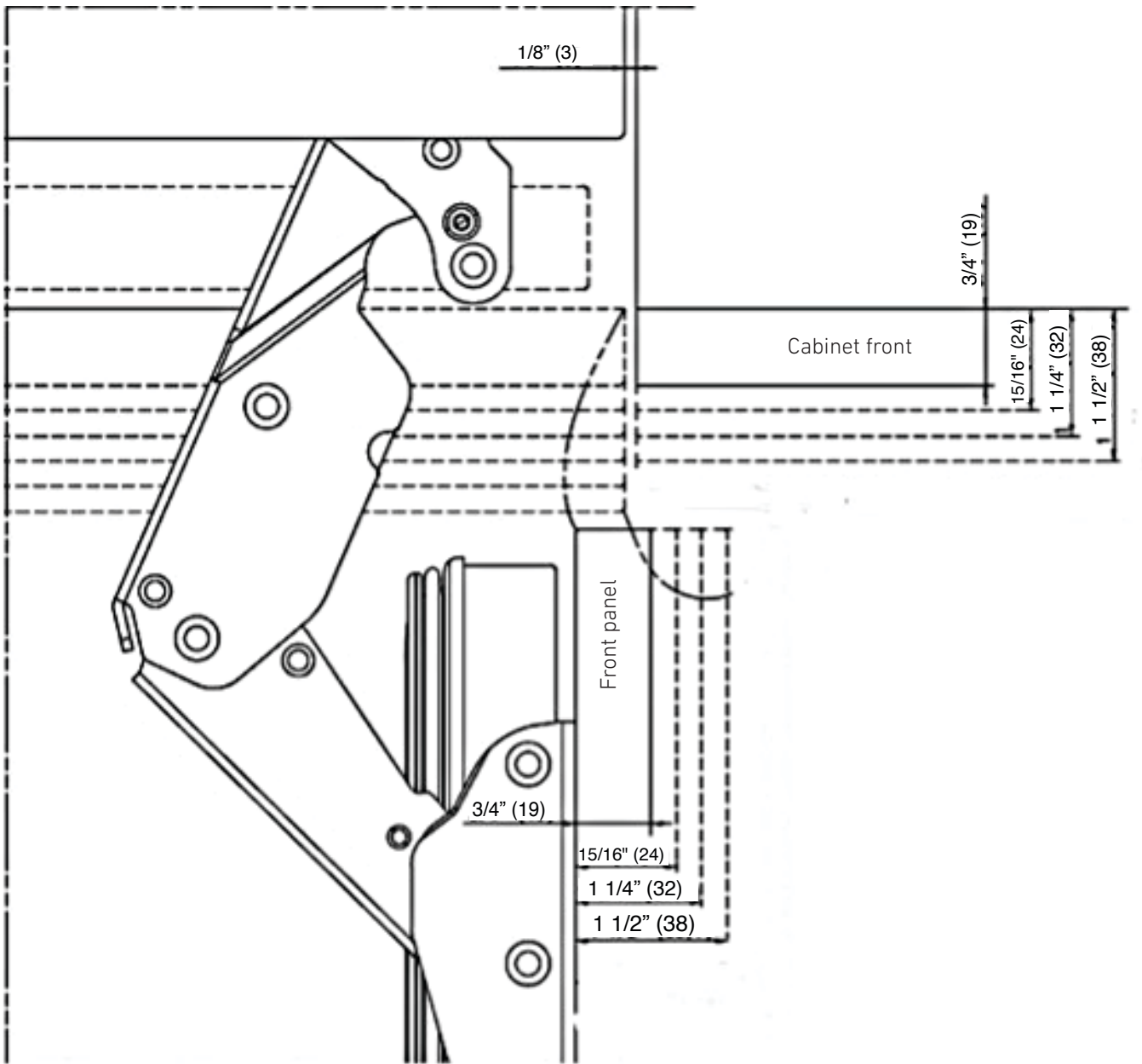
- The door of your refrigerator can open to 115° maximum. If you want the doors to open to this degree, you can choose from the thicknesses shown in the image above for all 2-door Bottom Mount refrigerators. For the 3-door French Door Bottom Mount, the only thickness available is 3/4" (19 mm).



WARNING:

If the door thickness is more than 1 1/2" (38 mm), the door should not open more than 90°. You must use a limiting pin on the hinge.

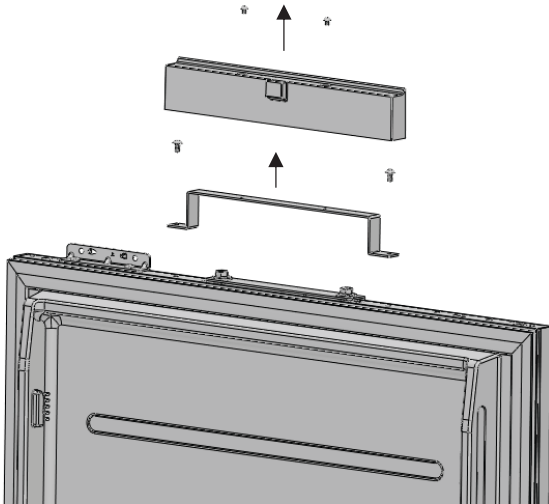
A limiting pin (#6) is provided with the unit to prevent the door from opening beyond 90° if necessary; it can be installed on the hinge. Door thickness allowances when using the limiting pin are shown in the diagram below.



3. INSTALLATION INSTRUCTIONS

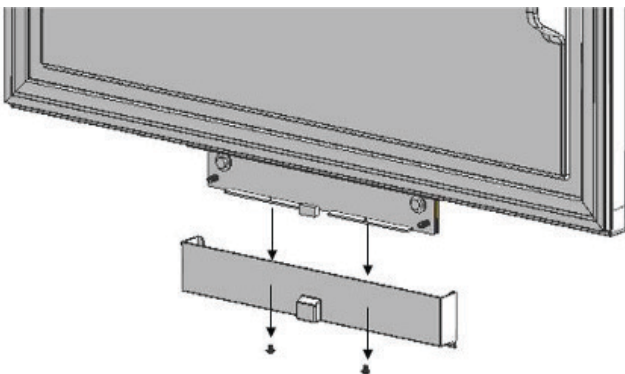
REMOVING THE OVERLAY PANEL MECHANISM COVERS

- Remove the upper screws to remove the upper cover.



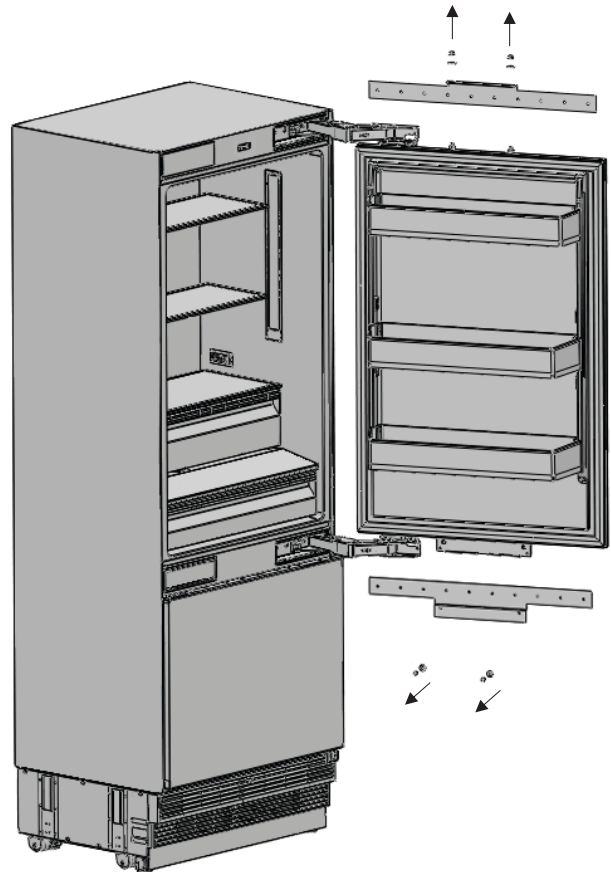
! WARNING: There is a magnet on the cover door hanger bracket. This is a functional component for product operation, because it activates the door open reed switch. Please ensure the covers do not get switched; put each back on the same bracket it was removed from. The magnet should not be switched with the lower cover.

- Remove the two screws to remove the door hanger bracket for the lower mechanism cover.



REMOVING THE PANEL BRACKETS

- Remove the upper and lower adjustable panel mounting brackets from the fridge door panel adjustment mechanisms, as shown below.



- Remove the covers for the panel adjustment mechanisms from the lower part of the freezer door along with the panel mounting brackets.

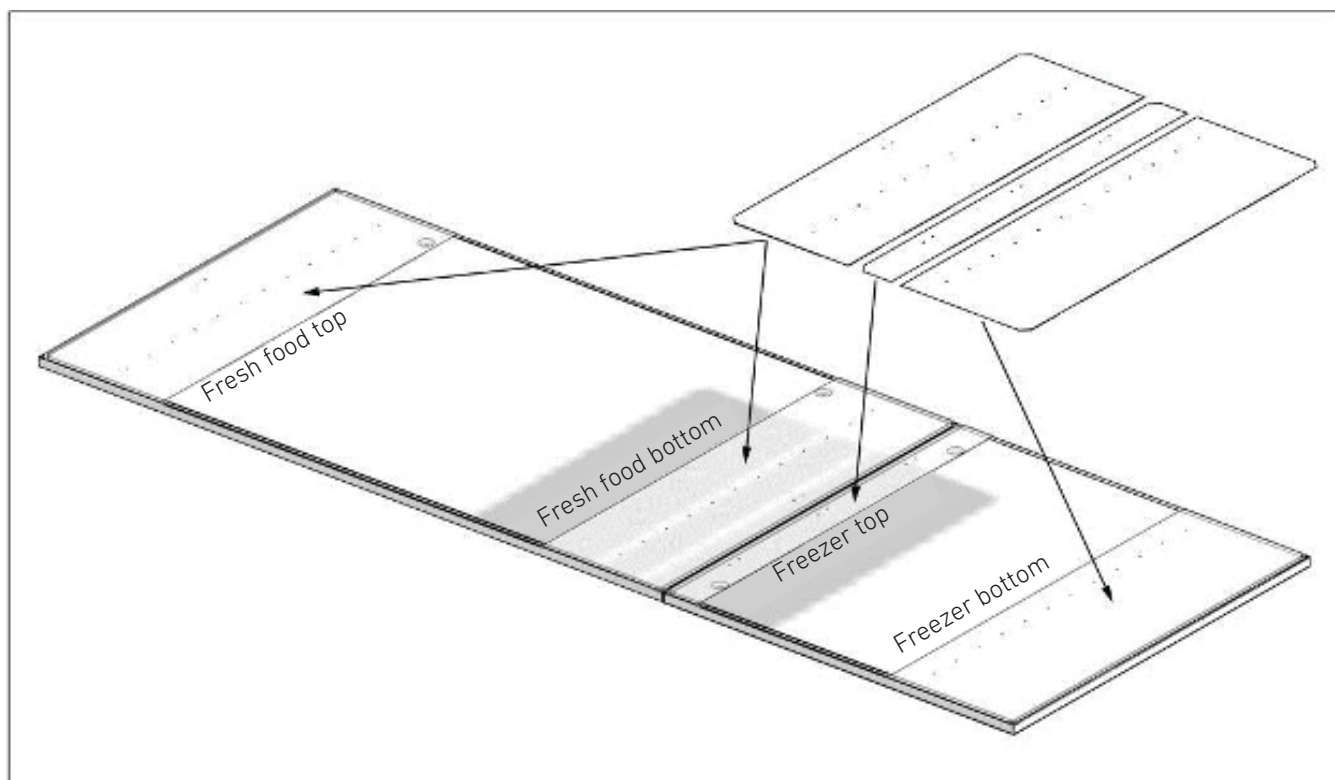


PREPARING THE OVERLAY PANELS



NOTE:

It is advisable to consider the dimensions of both panels and the mounting location when arranging the panel brackets on the overlay panels (cabinet door). When marking, you can use the door/drawer panel preparation template (#1) provided with the product.



WARNING:



The handle mounting holes will have to be adjusted based on the handles to be used in the kitchen design.

WARNING:



The minimum door thickness must be $\frac{3}{4}$ " (19 mm).

WARNING:



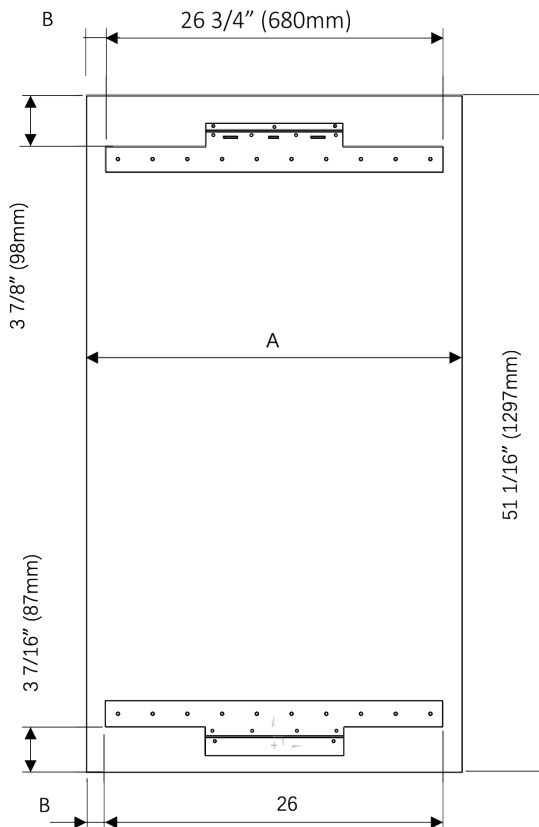
On the French Door Bottom Mount REF36FDBZPNV/24 model can only be mounted panels with a thickness up to $\frac{3}{4}$ " (19 mm).

3. INSTALLATION INSTRUCTIONS

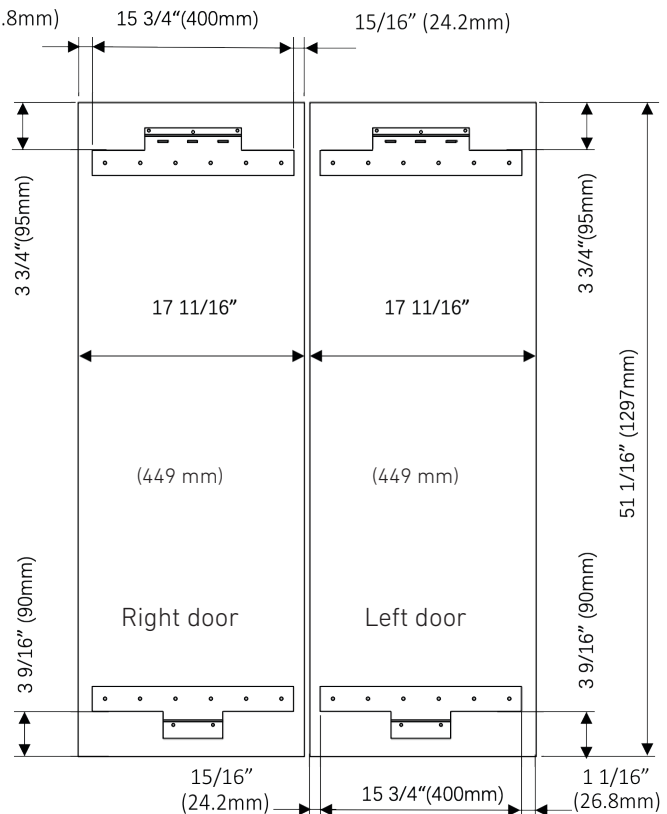
PREPARING THE FRIDGE DOOR PANEL

Category	30" built-in bottom mount	36" built-in bottom mount
A	29 3/4" (756 mm)	35 3/4" (908 mm)
B	1 1/2" (38 mm)	4 1/2" (114 mm)

30" & 36" BUILT-IN BOTTOM MOUNT



36" BUILT-IN FRENCH DOOR

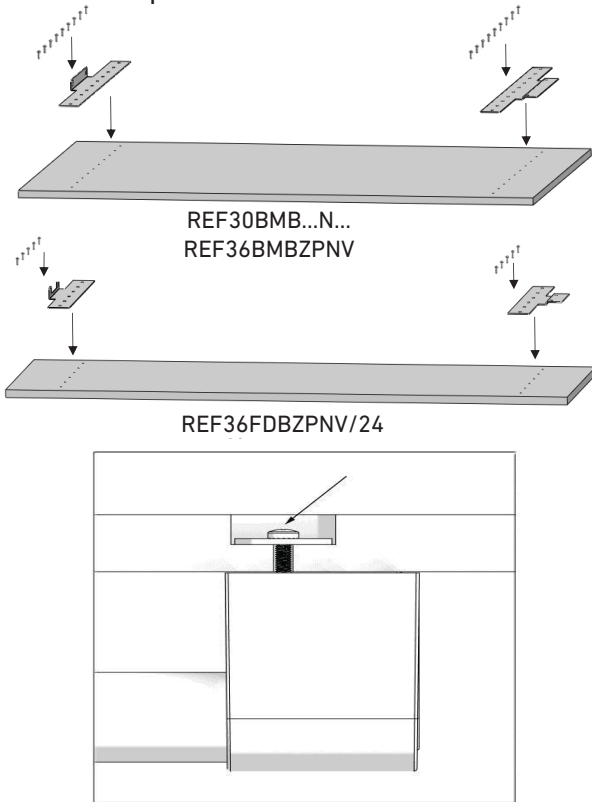


WARNING:

- To prevent damage to the finished surface of the panel, use screws suitable for the door panel thickness.
- Install the panel brackets using screws (#18). You can also use the template (#1) provided with the product to align these parts. It is recommended to keep this template for future reference.
- The fridge door hanger sheet and fridge door upper mechanism assembly must be on the upper part of the door.
- Attach the door handle to the upper door panel prior to installing the panel on the fridge. Use handle hardware that will ensure a secure connection to the panel and that will lie flush against or, in any case, not protrude from the back of the overlay panel. This may require



countersinking the handle hardware into the back of the panel, as shown below. The door handle mounting screws must not protrude either.



WARNING:



The handle mounting holes will have to be adjusted based on the handles to be used in the kitchen design.

WARNING:



The minimum door thickness must be 3/4" (19 mm).

WARNING:



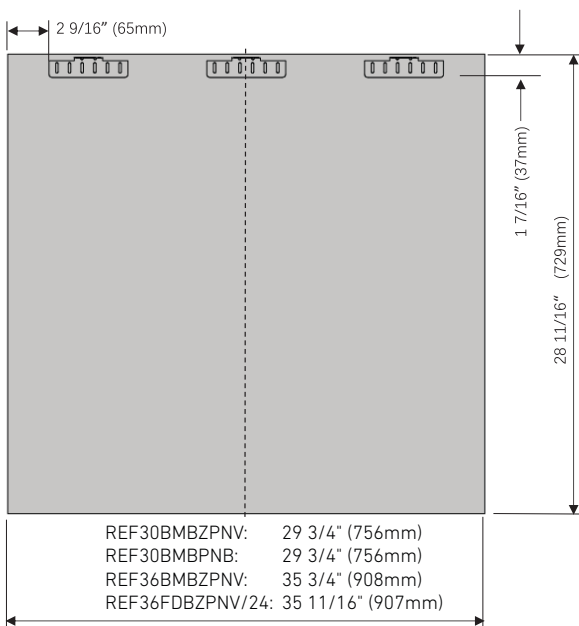
On the French Door Bottom Mount REF36FDBZPNV/24 model can only be mounted panels with a thickness up to 3/4" (19 mm).

WARNING:



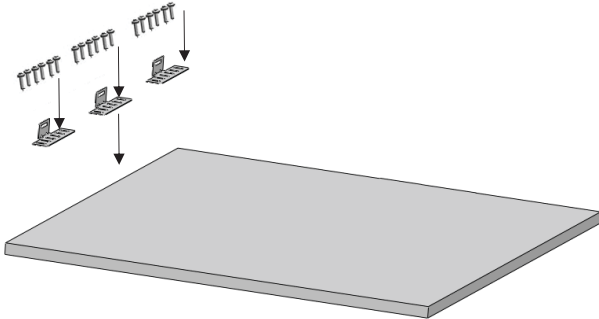
To prevent damage to the finished surface of the panel, use screws suitable for the door thickness.

PREPARING THE FREEZER DRAWER PANEL



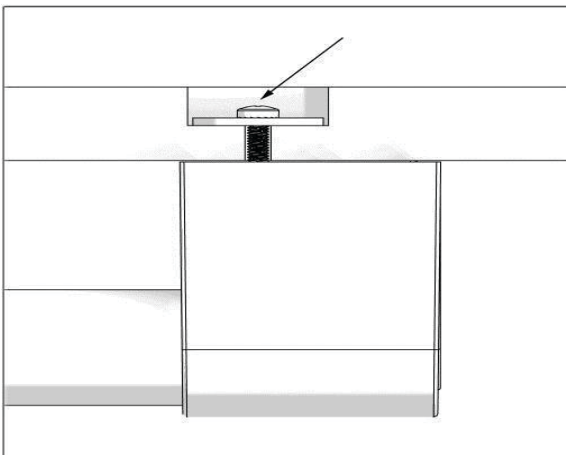
3. INSTALLATION INSTRUCTIONS

- Attach the 3 freezer door hanger metal “L” brackets (#9) using 6 screws (#10) and 1 screw (#8) for each.



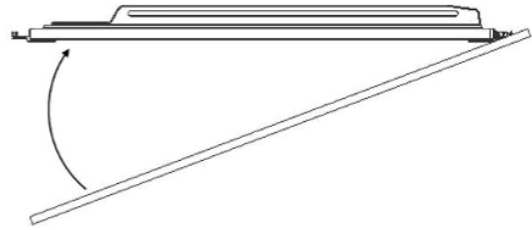
- Attach the door handle to the panel prior to installing the panel on the freezer. Use handle hardware that will ensure a secure connection to the panel and that will lie flush against or, in any case, not protrude from the back of the overlay panel. This may require countersinking the handle hardware into the back of the panel.

The door handle mounting screws must not protrude either.



INSTALLING THE FRIDGE DOOR PANEL

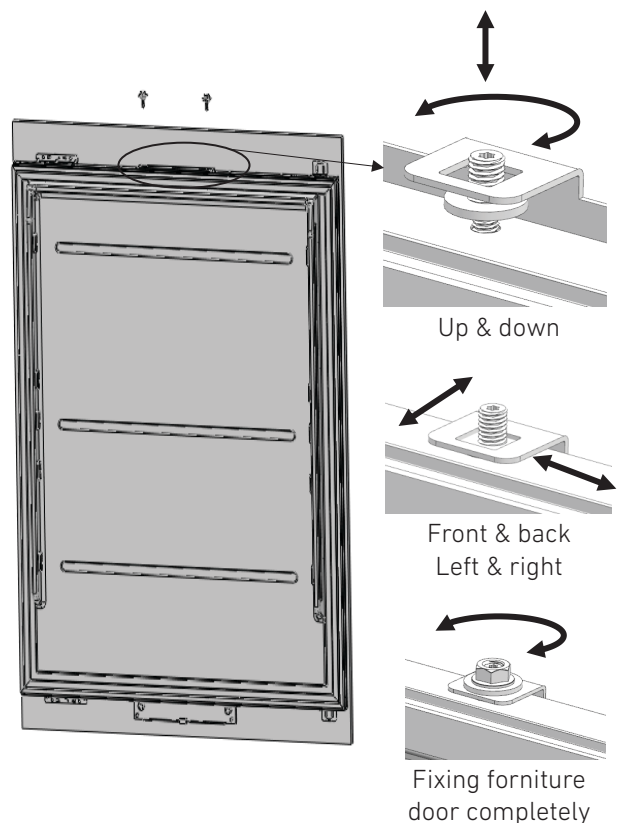
1. Attach the cabinet door to the fridge door.



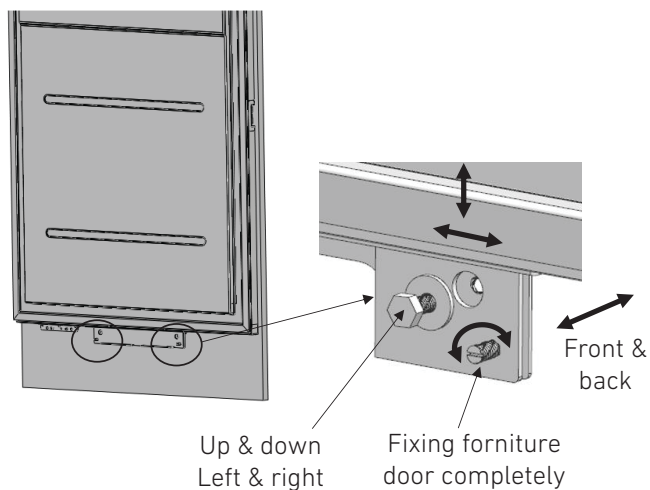
HOW TO ALIGN THE FRIDGE DOOR WITH BOLTS.

Position of the Furniture Doors to the kitchen furniture must be flush. To achieve this, you should adjust 3D direction using by two fixing bolt to perform fine adjustments. First of all, review the position of the grouped Furniture Doors against the kitchen furniture. Distances between furniture must be 1/8" (3 mm), assuming that the furniture dimensions are correct. You can make door adjustments based on this distance.

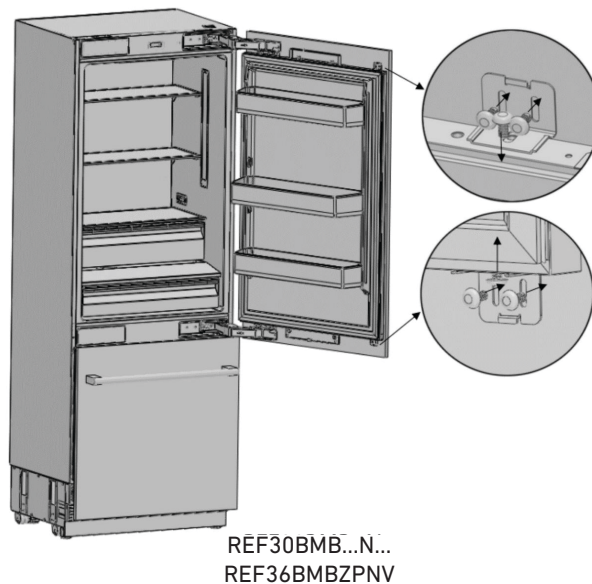
- How to align the furniture door upper part with bolts.



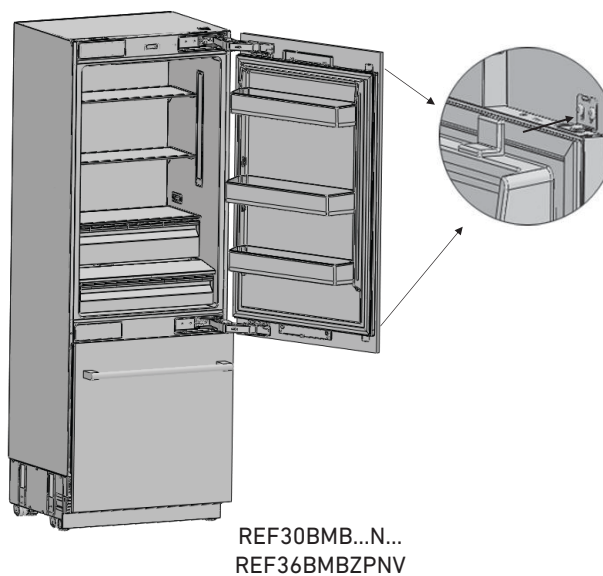
- How to align the furniture door lower part with bolts.



- Use the door-door furniture connecting bracket (Item #16) to join the furniture door
- Use 1 screw door fixing bracket (Item #15) to fix on the door.
- Use 2 screws (Item #17) to fix on the furniture door

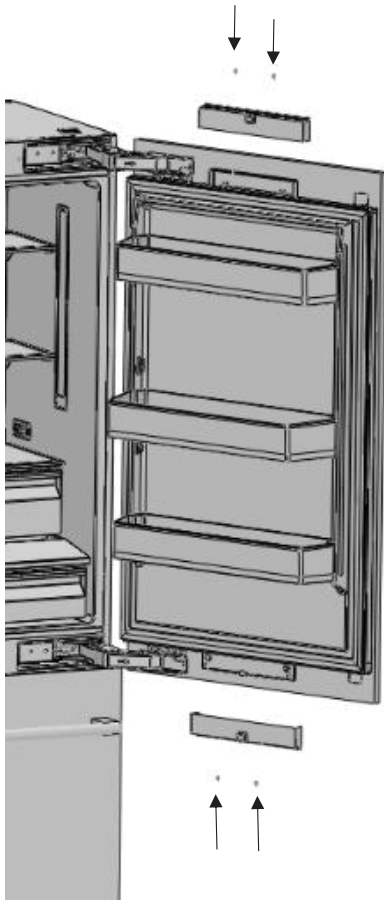


- Clip the cover furniture door bracket (Item #14).



3. INSTALLATION INSTRUCTIONS

- Attach and screw the upper/lower decoration cover.



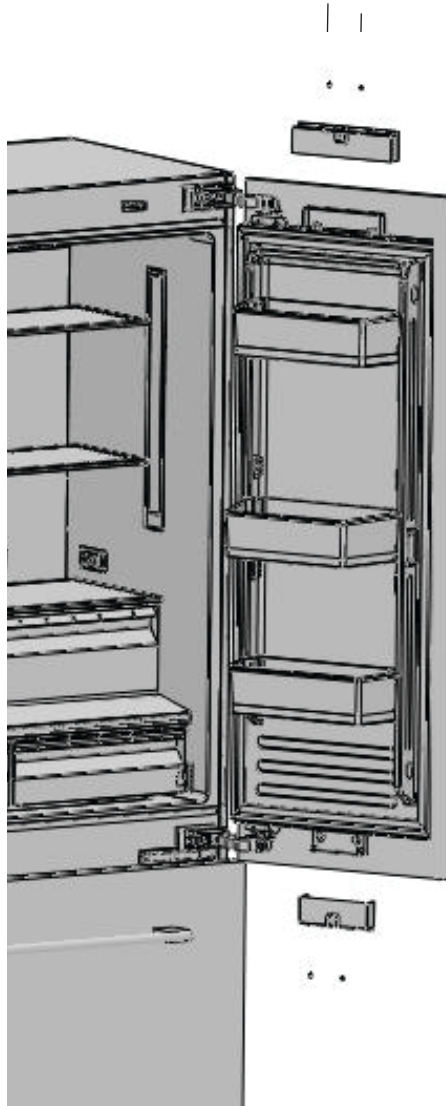
REF30BMB...N...
REF36BMBZPNV

! **WARNING:**
There is a magnet on the cover door hanger bracket upper.

! **WARNING:**
This is a functional part for the operation of the product.

! **WARNING:**
It should not be confused with the lower cover.

- Attach and screw the upper/lower decoration cover.



REF36FDBZPNV/24

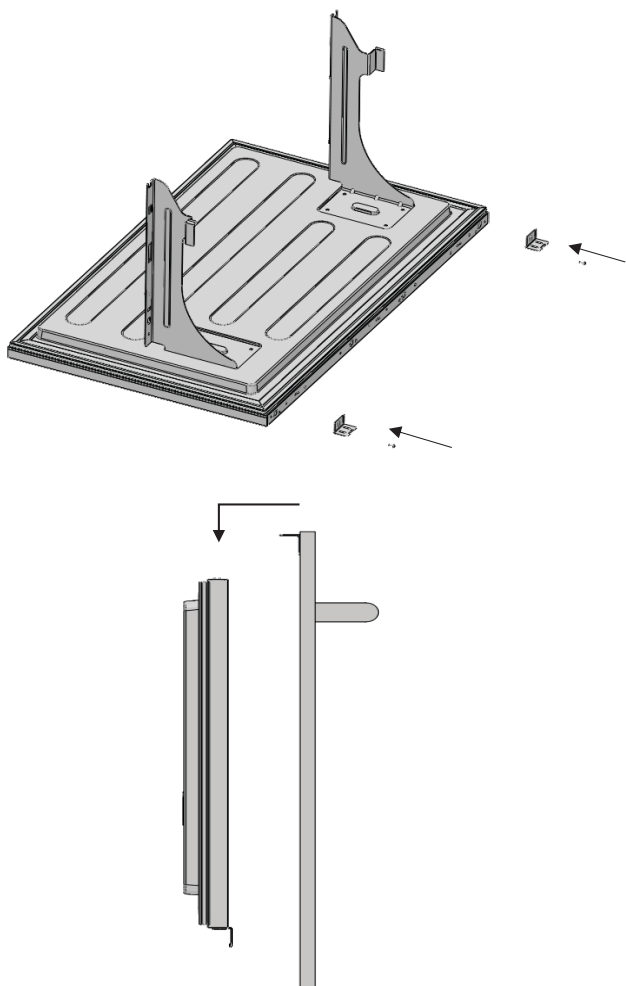
! **WARNING:**
There is a magnet on the cover door hanger bracket upper.

! **WARNING:**
This is a functional part for the operation of the product.

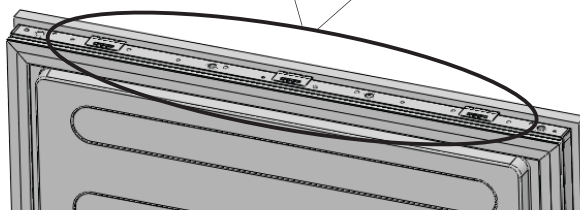
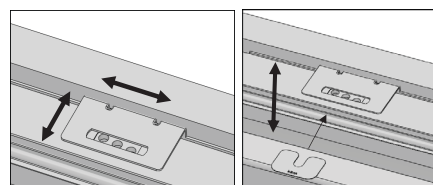
! **WARNING:**
It should not be confused with the lower cover.

INSTALLING THE FREEZING FURNITURE DOOR

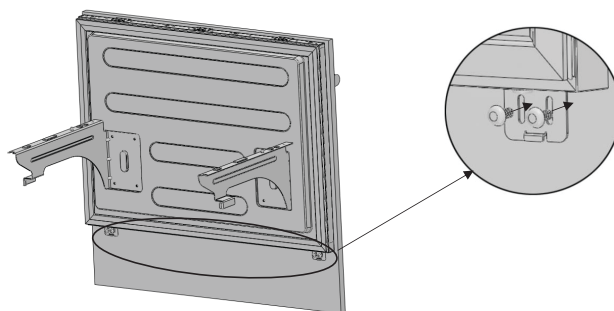
- Attach door-door furniture connecting bracket (Item #16) on the door lower part with screw door fixing bracket (Item #15)



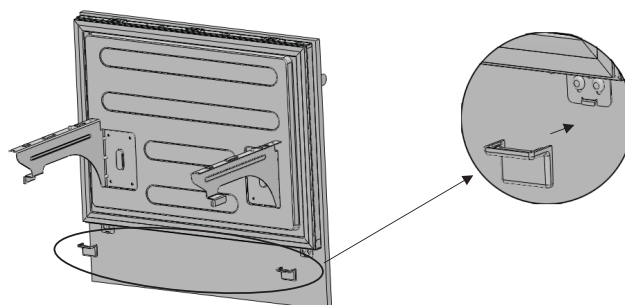
- Align the furniture door for the freezer drawer with the adjustment washer (#7).



- Use 2 screws (Item #17) to fix on the furniture door.



- Clip the cover furniture door bracket (Item #14).



3. INSTALLATION INSTRUCTIONS

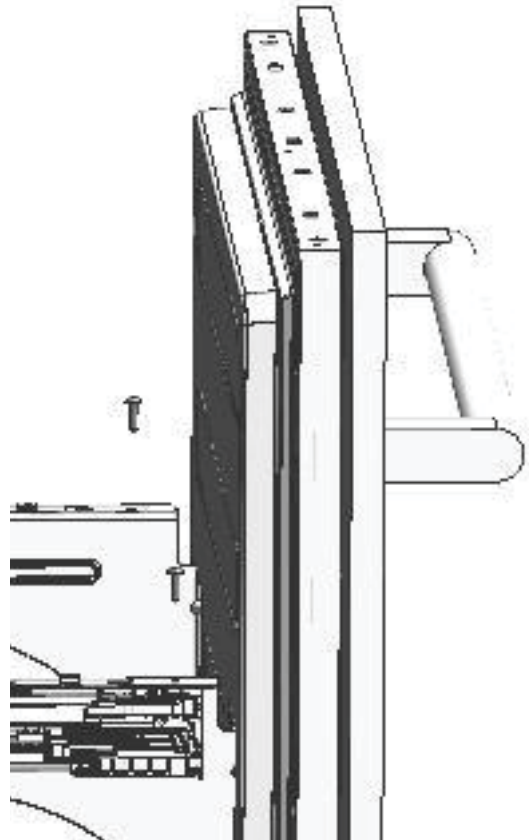
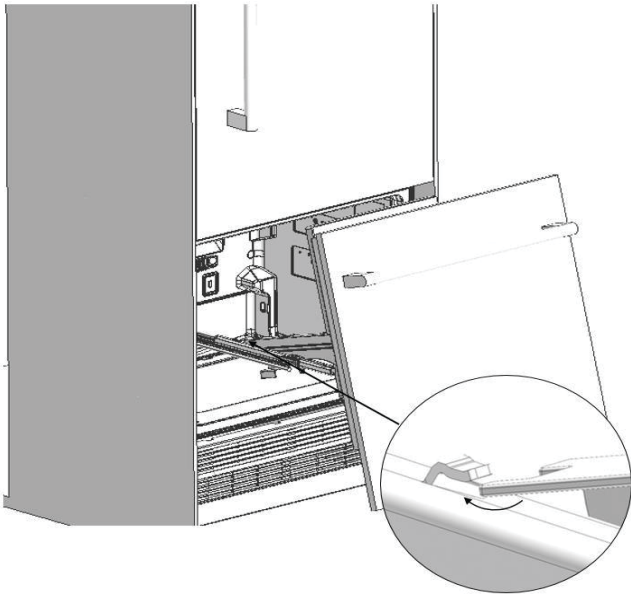


WARNING:

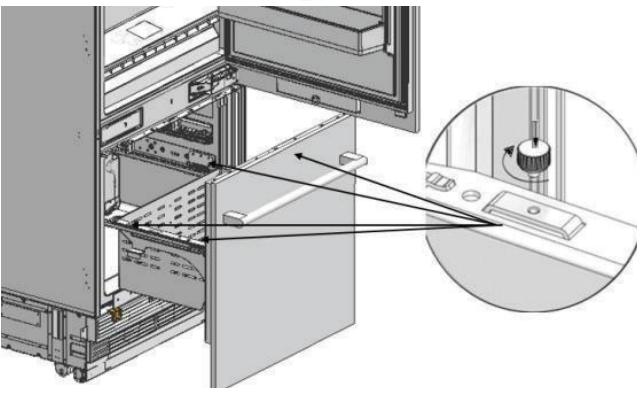
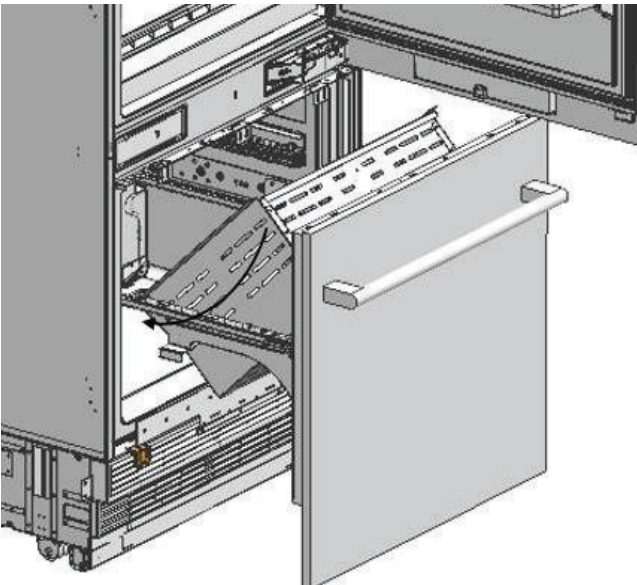
You must keep these parts for future use. You will need them if you want to change the door directions.

- Install the Freezer Furniture door assembly onto the rails.

- Fix the Freezer Furniture door assembly onto the rails with 2 screws.

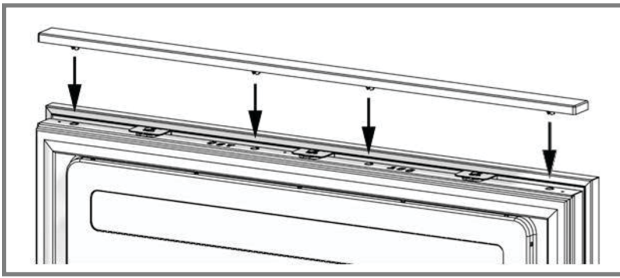


- Locate the drawer onto the rail and tighten the screws

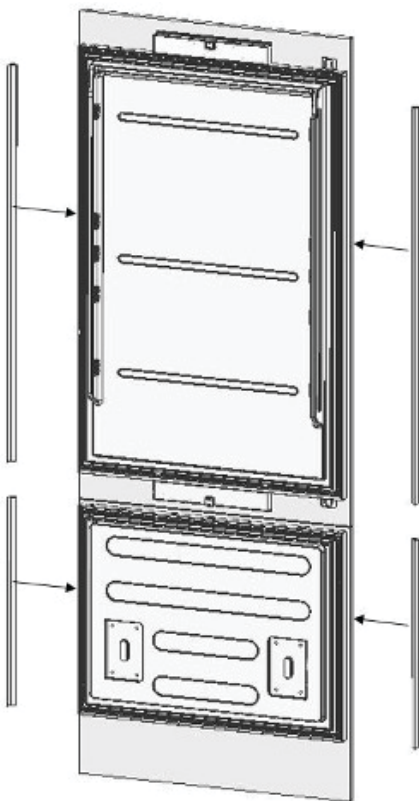
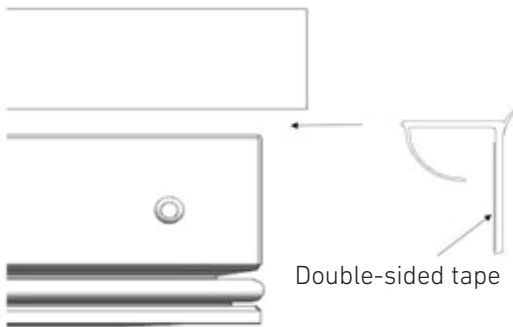


- Attach the cover freezing door top (Item #5) using the tabs.

3. INSTALLATION INSTRUCTIONS



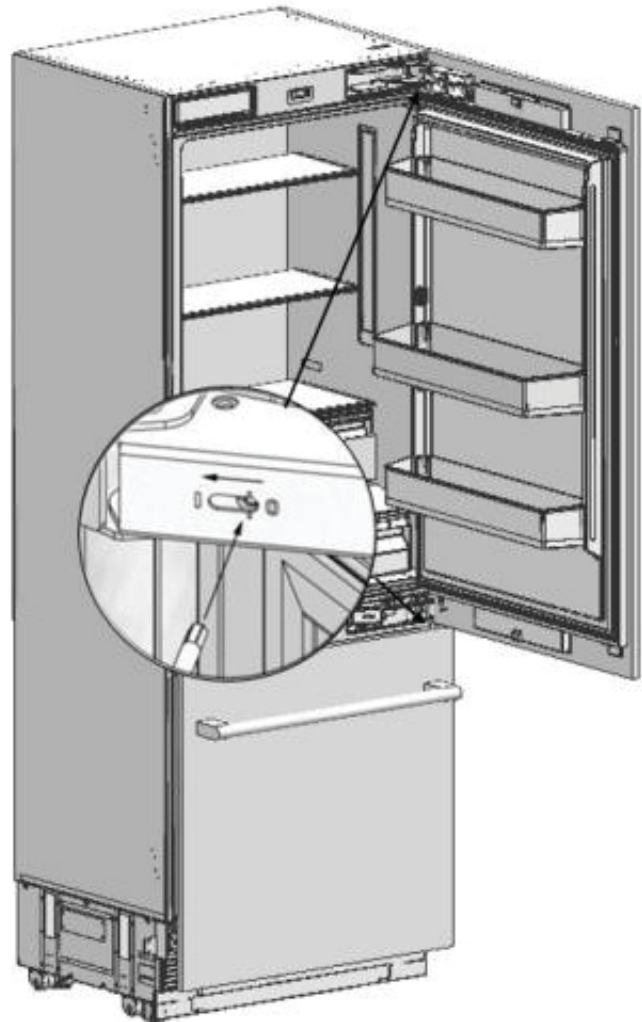
- Attach the decorative side trim seals (#2) and (#3). Note: side trim pieces may require some trimming if gap is too small to allow them to be pushed in; some force may be required. Remove the protective film from the double-sided tape to secure the trim to the front face of the fridge cabinet.



3.6 Hinge Adjustment and Reversing the Door Swing

ADJUSTING THE SPRING TENSION OF THE HINGES

- Use a drill to adjust the tension of the upper and lower hinges of the fridge door. Set the hinge adjustment screw to position "I" from position "O".



WARNING:

The door must be fully open during this adjustment.



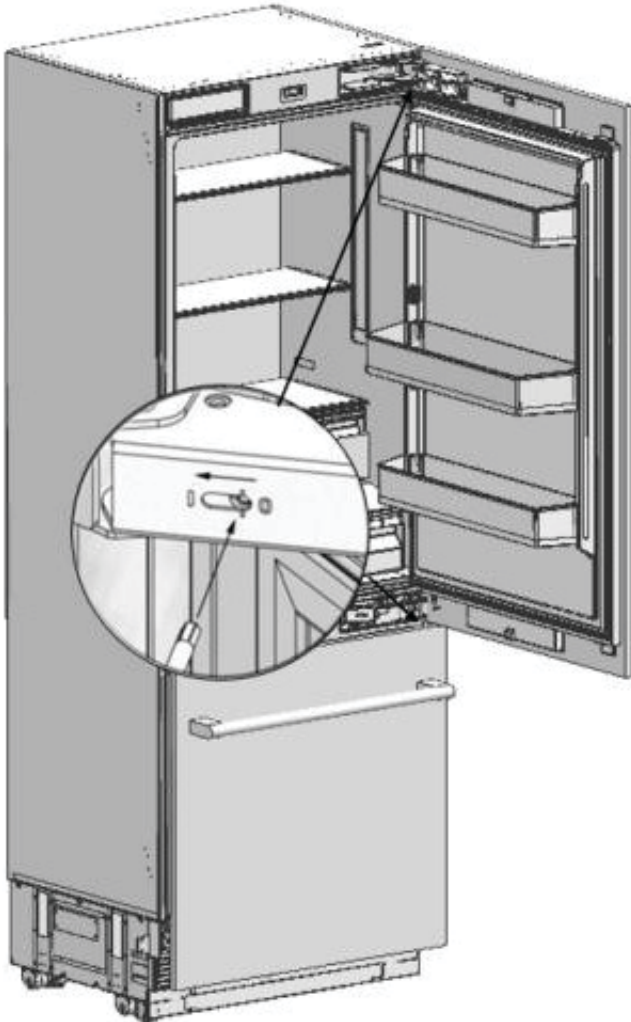
WARNING:

The hinge tension adjustment must be

performed only after the door panel has been adjusted.

REVERSING THE DOOR SWING

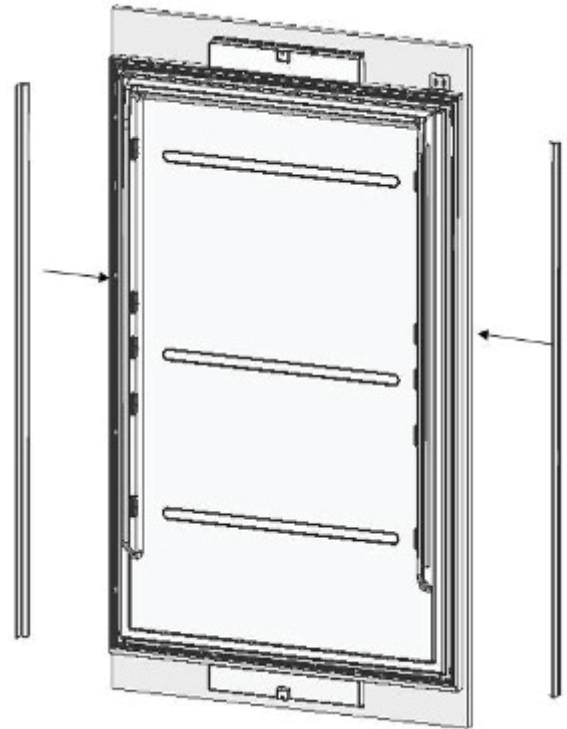
- Set the tension level of the hinge to "0".



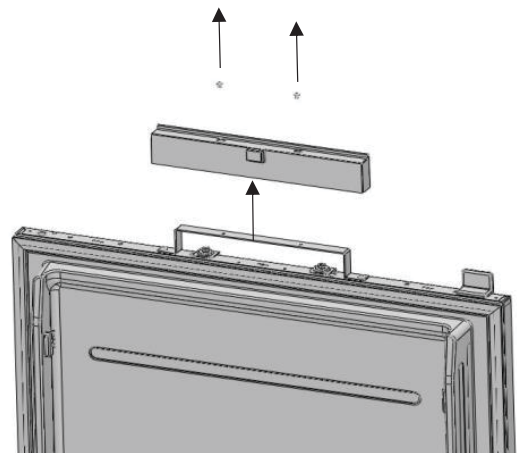
CAUTION:

Failure to set the hinge to "0" before continuing the installation may result in injury.

- Remove the side closing seals.



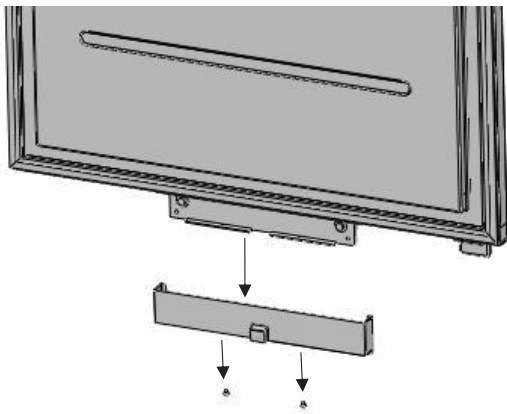
- Loosen the 2 screws in the upper cover of the fridge door and remove it.
- Take out the upper adjustment kits.



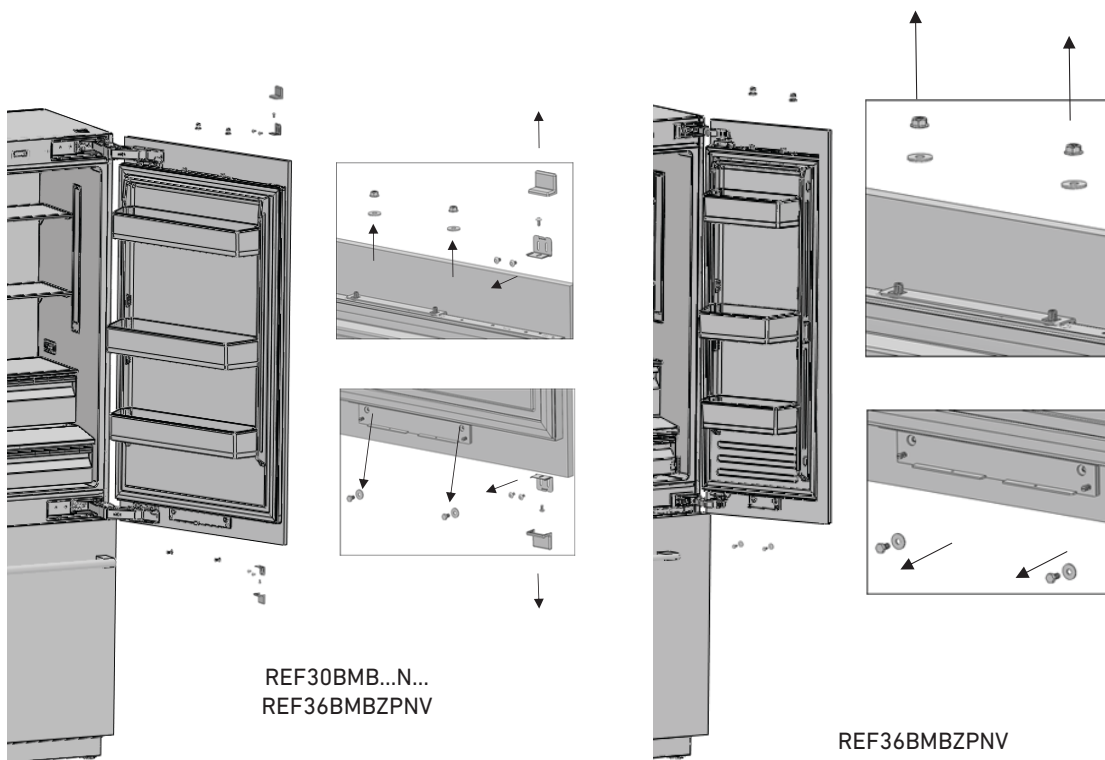
- Loosen the 2 screws in the lower cover of the fridge door and remove it.



3. INSTALLATION INSTRUCTIONS



- Remove the lower and upper bracket screws from the fridge.



- Remove the screw from the upper and from the lower fridge mechanism.

WARNING:



The fridge door panel will be released when these screws are removed.
You must take measures to prevent the door from falling.
You can tape the cabinet door to the inner door or ask a second person to help.

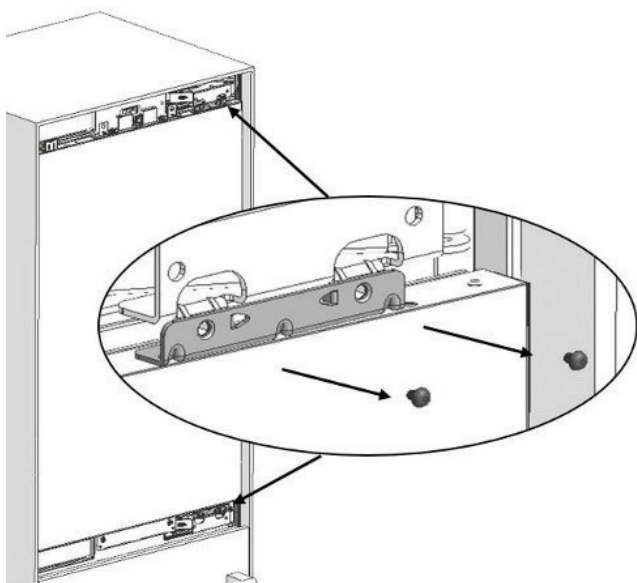
- Take off the fridge cabinet door and lay it upside down on a table top.
- You must attach the cabinet door by rotating it 180° with respect to its current position.

- Remove the hinge connection screws from the hinge brackets.

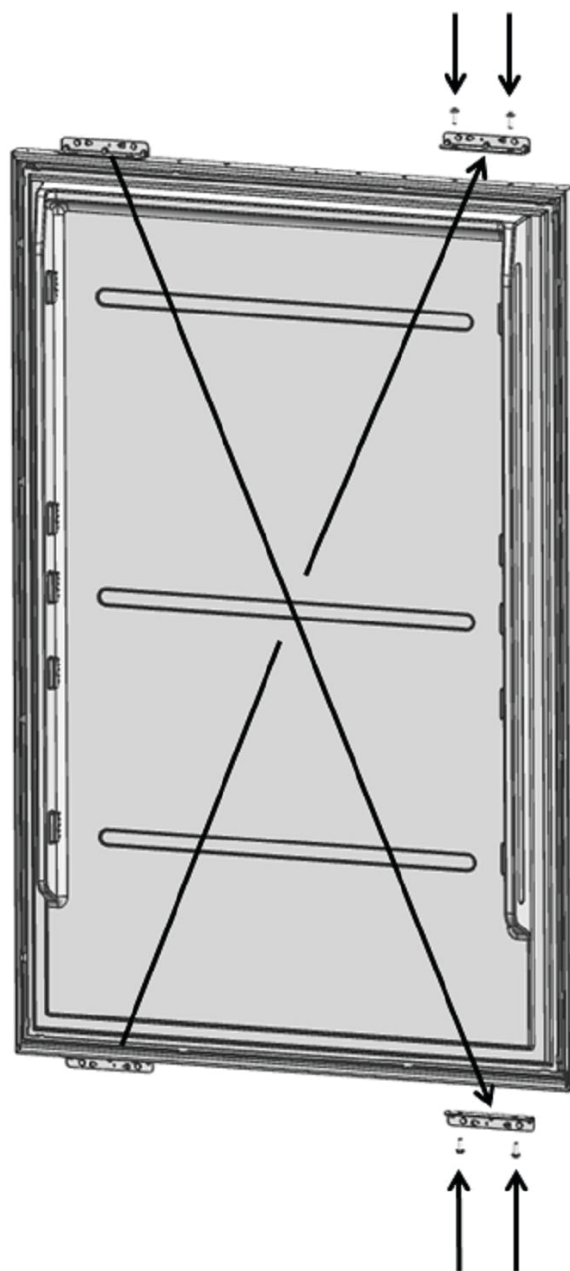


CAUTION:

The door will be released when these screws are removed. You must take measures to prevent the door from falling. You can tape the cabinet door to the inner door or ask a second person to help.

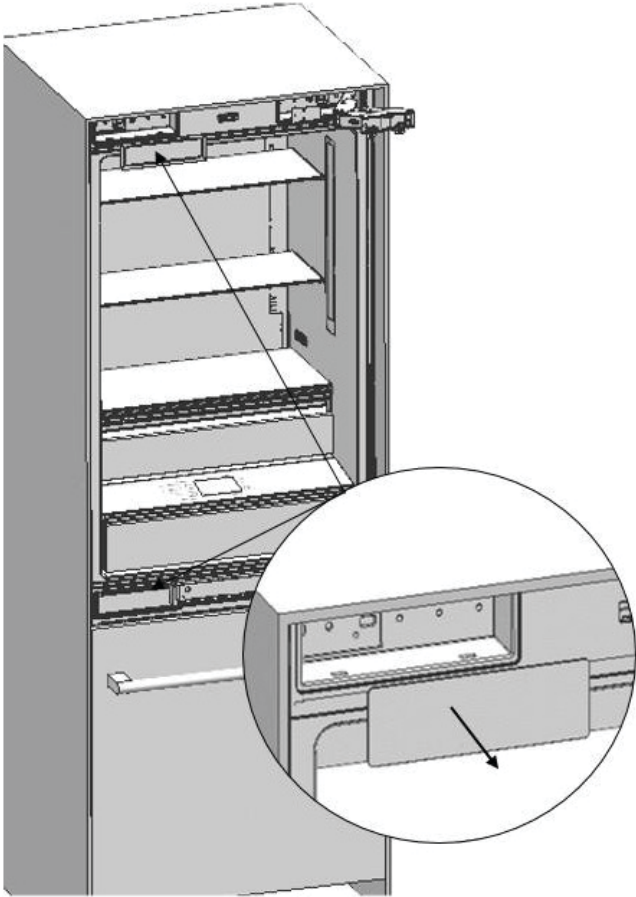


- Take off the fridge door and lay it on a table top, then remove the mounting components and screw them to the opposite side of the door.
- Use 2 screws to attach the hanger sheet.

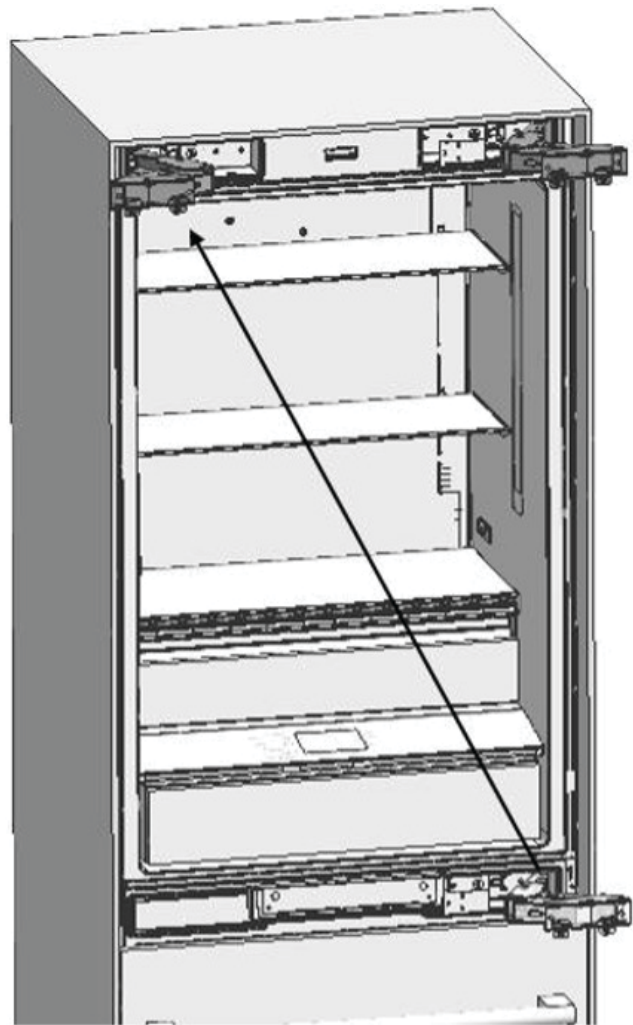


3. INSTALLATION INSTRUCTIONS

- Remove the hinge covers located on the other side, where you will mount the hinges.
- Remove the screw cover and the screws securing the hinges.

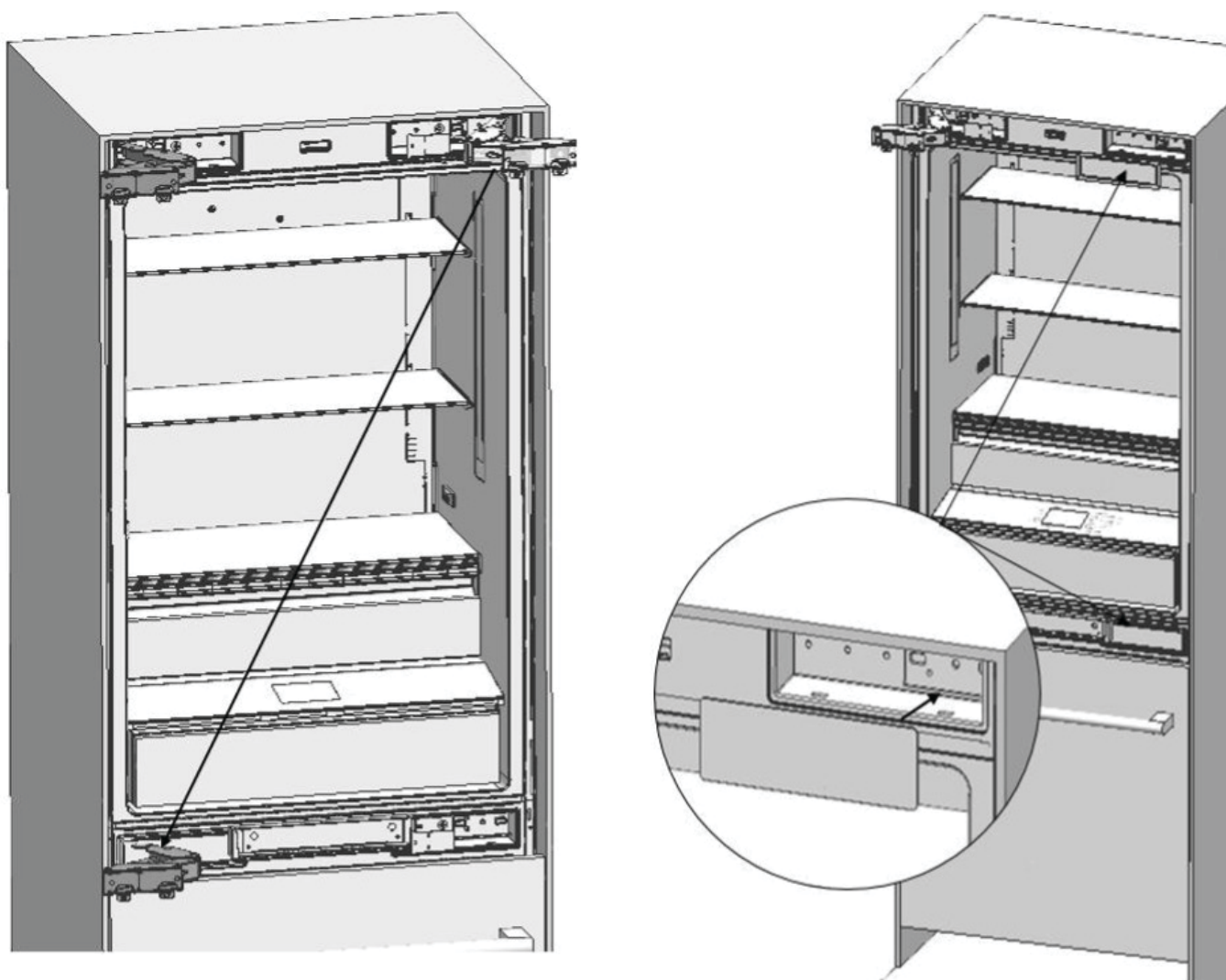


- Remove the lower right hinge by loosening its 2 screws and mount it in its slot on the upper left side.



- Remove the upper right hinge by loosening its 2 screws and mount it in its slot on the lower left side.

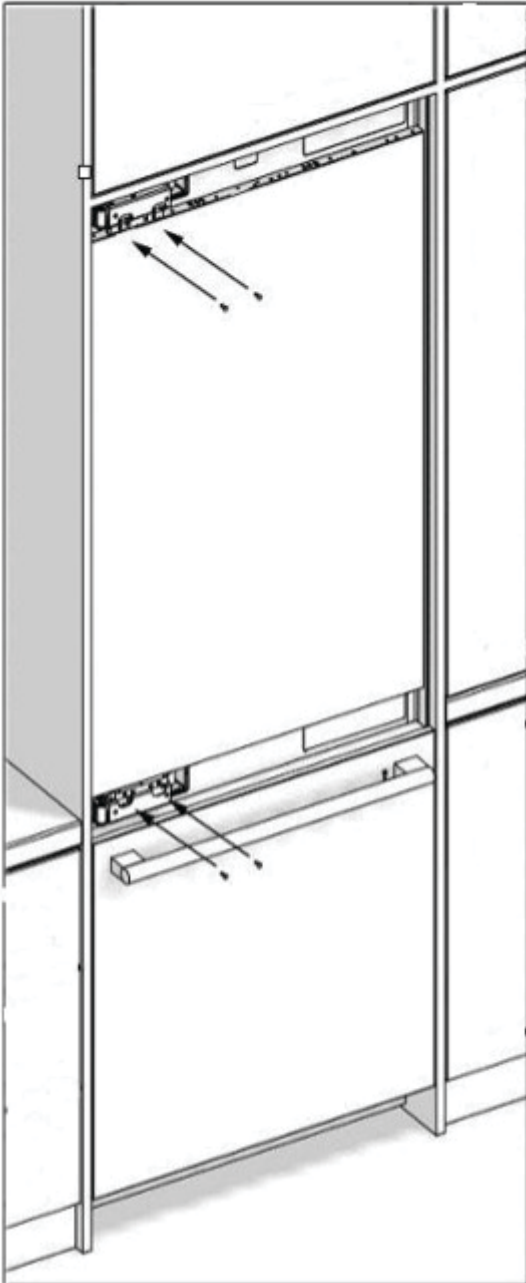




- Return the hinges' decorative screw caps to their places.
- Return the hinge pocket cover to the opposite side, where the hinges were removed.

3. INSTALLATION INSTRUCTIONS

- Place the fridge inner door on the refrigerator using the door seal to help hold the door in place and fasten it back onto the hinges using 4 screws.



1. INFORMACIÓN IMPORTANTE	58
1.1 Símbolos y sus significados	58
1.2 Eliminación de los materiales de embalaje	58
1.3 Clase climática	59
1.4 Peso del producto.....	59
1.5 Capacidad de carga de alimentos de las puertas.....	59
2. ANTES DE LA INSTALACIÓN	60
2.1 Lugar de instalación	60
2.2 Armarios	61
2.3 Ventilación	61
2.4 Conexión eléctrica	61
2.5 Conexión de agua (si procede).....	61
2.6 Lista de herramientas.....	61
2.7 Alternativas para la instalación	62
2.8 Preparación para la instalación	62
2.9 Ubicación del cableado eléctrico	63
2.10 Ubicación del sistema de agua	64
2.11 Dimensiones del producto y del panel	65
2.12 Desembalaje	73
2.13 Extracción de los conectores de la pared lateral de la unidad	74
2.14 Cómo retirar los herrajes de instalación del compartimento del congelador.....	75
2.15 Desmontaje del cajón congelador.....	76
2.16 Desmontaje de la puerta del congelador.....	76
2.17 Desmontaje de las cubiertas de las rejillas de ventilación inferior y superior	77
3. INSTRUCCIONES DE INSTALACIÓN	78
3.1 Antes de la instalación.....	78
3.2 Montaje de los soportes antivuelco	78
3.3 Preparación de la manguera de agua y la conexión eléctrica	81
3.4 Instalación en el armario	81
3.5 Instalación y preparación del panel superpuesto.....	88
3.6 Ajuste de las bisagras e inversión del giro de la puerta.....	101

1. INFORMACIÓN IMPORTANTE

1.1 Símbolos y sus significados

Los símbolos utilizados en el manual de instalación son los siguientes.



Nota

Información importante o consejos útiles para su uso



Advertencia

Condiciones que pueden dañar el producto o afectar a su funcionamiento



Precaución

Situaciones que entrañen un riesgo grave de lesiones

1.2 Eliminación de los materiales de embalaje

Los materiales de embalaje han sido diseñados para proteger el producto durante el transporte. Los materiales de embalaje utilizados para el producto no son perjudiciales para el medio ambiente cuando se desechan y deben reciclarse.

Todos los materiales de embalaje de plástico, bolsas, etc. deben desecharse de forma segura y mantenerse fuera del alcance de los niños. Devuelva el material de embalaje a su distribuidor.



ADVERTENCIA:

Este manual de instalación está ideado para ayudar a los equipos de instalación. También debe tenerse en cuenta el Manual del usuario proporcionado con el producto.

Si hace caso omiso de las advertencias contenidas en este manual, puede sufrir lesiones graves y su producto puede resultar dañado. Por favor, lea atentamente lo siguiente.



ADVERTENCIA:

Refrigerante R600a

Este producto contiene refrigerante isobutano R600a, que es un gas natural muy respetuoso con el medio ambiente. Sin embargo, también es inflamable. Por favor, preste atención a las siguientes advertencias:

- Si el producto ha sido transportado horizontalmente, debe esperar un mínimo de 4 horas antes de enchufarlo.
- Durante la instalación deben seguirse las siguientes instrucciones:
- Las dimensiones de la zona de instalación deben ser las adecuadas.
- Las dimensiones, características y posición del objeto utilizado para apoyar y asegurar el producto en dicha zona deben ser las adecuadas.
- Las distancias mínimas entre las partes del producto y las estructuras circundantes deben ser las adecuadas.
- Deben respetarse las dimensiones mínimas y la posición adecuada de los orificios de ventilación.
- El producto debe estar conectado a un circuito dedicado sin protección GFCI, y debe haber una conexión adecuada para la línea de agua (para modelos con máquina de hielo y dispensador de agua).
- El producto debe poder desconectarse de la red eléctrica tras su instalación.
- La toma de corriente o el fusible deben ser accesibles para poder cortar la alimentación del producto.
- No deben utilizarse cables alargadores ni adaptadores sin toma de tierra (de dos clavijas).



PRECAUCIÓN:

Debe utilizar guantes protectores y protección ocular cuando instale el producto. También debe llevar protección auditiva cuando utilice un taladro o herramientas similares.



PRECAUCIÓN:

Asegúrese de que el circuito eléctrico es adecuado para el producto.



PRECAUCIÓN:

El producto debe ser instalado por un técnico cualificado de acuerdo con las instrucciones de instalación.



ADVERTENCIA:

El producto puede volcarse, ya que es bastante pesado. Deben tomarse precauciones para evitar que esto ocurra. Las puertas del producto deben mantenerse cerradas hasta que llegue a su destino; debe transportarse de la forma descrita en las instrucciones de instalación.

1.3 Clase climática

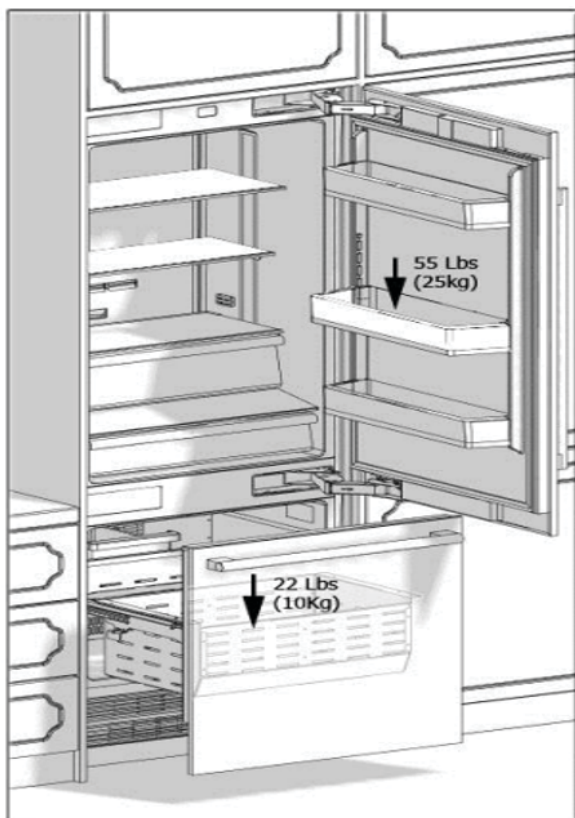
Gama climática	Temperatura ambiente de la sala	
SN (Templado extendido)	Entre +50°F (10°C) y +90°F (32°C)	Este electrodoméstico ha sido diseñado para ser utilizado en determinados climas (rangos de temperatura ambiente). No debe utilizarse fuera de estos márgenes.
N (Templado)	Entre +60°F (16°C) y +90°F (32°C)	
ST (Subtropical)	Entre +60°F (16°C) y +100°F (38°C)	
T (Tropical)	Entre +60°F (16°C) y +110°F (43°C)	

1.4 Peso del producto

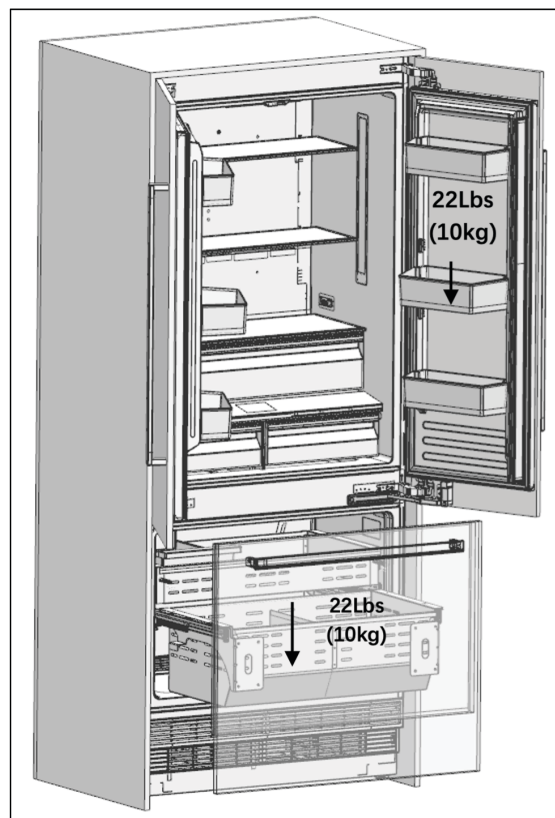
Categoría	REF30BMBZPNV	REF30BMBPNB	REF36BMBZPNV	REF36FDBZPNV/24
Peso del producto	342 lb (155 kg)	326 lb (148 kg)	373 lb (169 kg)	355 lb (161 kg)

1.5 Capacidad de carga de alimentos de las puertas

Carga máxima	REF30BMB...N...	REF36BMBZPNV	REF36FDBZPNV/24
Puerta del refrigerador	55 lb (25 kg)	55 lb (25 kg)	22 lb (10 kg)
Cajón congelador	22 lb (10 kg)	22 lb (10 kg)	22 lb (10 kg)



REF30BMB...N...
REF36BMBZPNV



REF36FDBZPNV/24

2. ANTES DE LA INSTALACIÓN

2.1 Lugar de instalación

Debe seguir las siguientes instrucciones:

- > El suelo sobre el que se va a instalar el producto debe ser capaz de soportar 544 kg (1.200 libras) como mínimo.
- > El suelo de la cocina y la parte inferior del producto deben estar igualmente nivelados. De lo contrario, pueden producirse problemas con el flujo de aire del electrodoméstico.
- > En la parte trasera y en las paredes laterales del lugar de instalación del producto no debe haber obstáculos que impidan su instalación.
- > La toma de corriente debe estar en el lugar correcto.
- > Las dimensiones del armario donde se instale el electrodoméstico deben ajustarse estrictamente a las dimensiones que figuran en el manual.
- > No instale el electrodoméstico junto a otro refrigerador/congelador. De lo contrario, podría producirse condensación y daños. (Consulte la sección «Instalación del refrigerador doble en armario» para obtener información detallada).
- > El nivel del suelo donde se va a instalar el producto debe comprobarse con un nivel de burbuja.
- > El lugar de instalación no debe estar expuesto a la luz solar directa y debe estar alejado de fuentes de calor (hornos, radiadores, etc.).
- > La temperatura ambiente debe estar entre 50°F (10°C) y 110°F (43°C). De lo contrario, podrían producirse averías cuando el electrodoméstico esté en funcionamiento.
- > Si no es posible evitar la instalación del producto cerca de una fuente de calor, deberán mantenerse las distancias mínimas indicadas a continuación entre el electrodoméstico y la fuente dada:
 - 1 1/4 pulg. (32 mm) de las cocinas u hornos eléctricos
 - 12 pulg. (305 mm) de las cocinas u hornos de gas o de combustible

Por favor, tenga en cuenta las siguientes normas:

- > El enchufe o panel eléctrico debe ser fácilmente accesible en caso de emergencia; no debe estar oculto detrás del producto.
- > Ni el enchufe ni el cable deben tocar la superficie posterior del electrodoméstico. De lo contrario, podría resultar dañado por las vibraciones del electrodoméstico.
- > No conecte enchufes de otros equipos detrás de este electrodoméstico.

Si el nivel de humedad es alto en el lugar donde se utiliza el electrodoméstico, sus superficies exteriores pueden corroerse.

Para evitar la corrosión, mantenga el lugar de instalación seco y bien limpio.

Para evitar el riesgo de descarga eléctrica:

- > Conecte el enchufe a una toma de 3 clavijas con toma de tierra.
- > No retire la clavija de toma de tierra del enchufe.
- > No utilice adaptadores.
- > No utilice alargadores.



PRECAUCIÓN:

El incumplimiento de estas instrucciones puede provocar un incendio, una descarga eléctrica o la muerte. Conectar el conductor de puesta a tierra del electrodoméstico en un lugar incorrecto puede provocar una descarga eléctrica. Si tiene alguna duda sobre la correcta conexión a tierra del electrodoméstico, haga revisar la toma de tierra por un electricista o técnico de servicio cualificado.

La instalación, las reparaciones y otros procedimientos realizados por personas no cualificadas pueden dar lugar a riesgos. Antes de instalar el electrodoméstico, asegúrese de que los parámetros de tensión, carga y corriente del circuito que figuran en la placa de datos se ajustan al suministro eléctrico de su hogar.

El electrodoméstico se suministra con un enchufe NEMA 5-15 P y un cable de alimentación de 3 clavijas que figura en la lista UL y está listo para conectarse a una fuente de alimentación de 120 V, 60 Hz. El fusible es de 15 A. El electrodoméstico debe conectarse a una toma de 3 clavijas. El enchufe debe ser instalado únicamente por un electricista autorizado.

Si el cableado eléctrico o el suministro de energía eléctrica del hogar requieren una alteración, los procedimientos necesarios deben ser realizados por un electricista cualificado.



PRECAUCIÓN:

No instale el refrigerador:

- en un espacio al aire libre,
- en un lugar con goteo de agua,
- en un lugar donde la temperatura sea inferior a 50°F (10°C).

2.2 Armarios

Asegúrese de que los armarios dentro de los cuales va a instalar el electrodoméstico han sido montados de forma segura en su cocina.

Su armario debe fijarse correctamente al suelo y a la pared utilizando los herrajes de montaje adecuados.

Para una instalación óptima, las distancias entre el armario y el electrodoméstico deben respetar las medidas especificadas en las instrucciones de instalación.

Las paredes laterales deben estar libres de obstrucciones y sus superficies deben ser planas. El grosor mínimo de las paredes laterales debe ser de 16 mm (5/8 pulg.).

El grosor mínimo de los paneles de la puerta que se fijen al electrodoméstico debe ser de 3/4 pulg. (19 mm).



PRECAUCIÓN:

Existe la opción de puerta de acero inoxidable. Consulte a su proveedor de servicios autorizado.

2.3 Ventilación

Las aberturas de ventilación por donde entra y sale el aire de la unidad nunca deben estar obstruidas. El usuario es responsable de limpiar periódicamente el polvo y los residuos que pueden acumularse en la rejilla con el paso del tiempo.

2.4 Conexión eléctrica

- > No utilice nunca un cable alargador.
- > La toma de corriente debe estar conectada a tierra y debe ser revisada por un técnico autorizado.
- > La colocación del cableado eléctrico debe ajustarse a las medidas especificadas en el manual.



PRECAUCIÓN:

RIESGO DE DESCARGA ELÉCTRICA

La conexión eléctrica a tierra es necesaria. Este electrodoméstico está equipado con un enchufe de tres clavijas para protegerlo contra posibles descargas eléctricas.

- No retire la clavija redonda de conexión a tierra del enchufe.
- No utilice adaptadores de dos clavijas con

toma de tierra.

- No utilice un cable alargador para suministrar corriente al producto.



PRECAUCIÓN:

No conecte el cable de tierra al tubo de gas. Haga revisar la toma de tierra por un electricista cualificado si no está seguro de la toma de tierra del electrodoméstico. No instale un fusible en la línea del neutro ni en el circuito de conexión a tierra.



ADVERTENCIA:

Por favor, espere de 3 a 6 horas antes de conectar el electrodoméstico a la red eléctrica, para protegerlo de posibles daños. Esto permitirá restablecer el equilibrio del refrigerante y los lubricantes del sistema.

2.5 Conexión de agua (si procede)

- > La presión del suministro de agua debe estar dentro del rango especificado en el manual.
- > La ubicación de la conexión de la línea de agua debe cumplir con las medidas de área especificadas en el manual.



Nota:

Se recomienda un tapón de derivación para el sistema de filtrado de agua si se utiliza un sistema de ósmosis inversa.

2.6 Lista de herramientas

Las herramientas que deben utilizarse al instalar el producto son las siguientes:



Taladro inalámbrico



Gafas de seguridad



Llave de 1/2 pulg. (12,7 mm)



Martillo



Escalera



Broca Ø 2,4



Broca Ø 8,0



Cúter



Guantes de seguridad



Cinta métrica



Broca de cabeza Phillips



Broca hexagonal de ¼ pulg. (6,35 mm)



Nivel de burbuja



Plataforma rodante para electrodomésticos

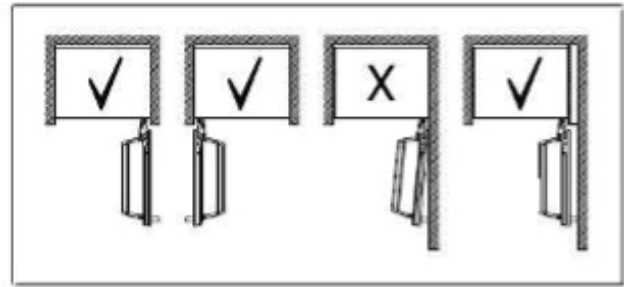


Cinta

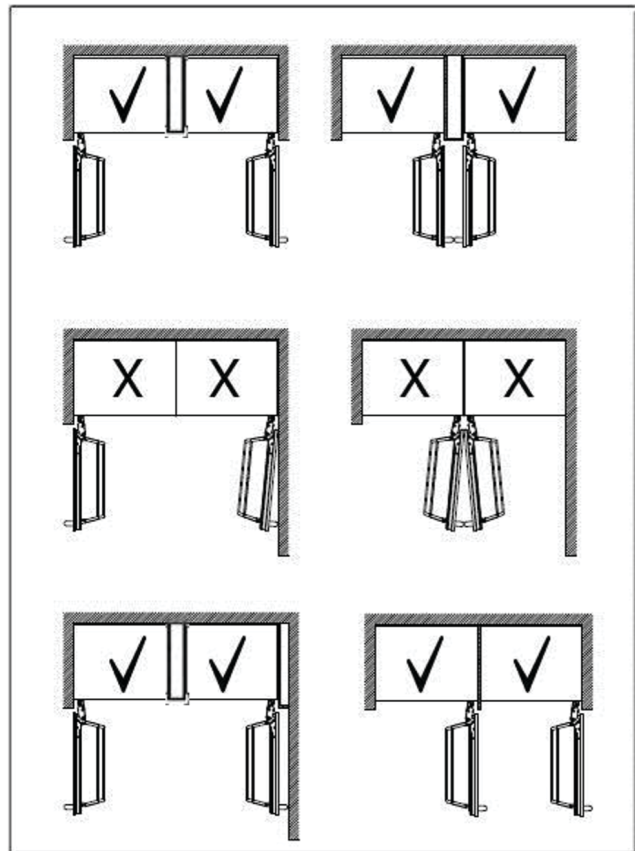
2.7 Alternativas para la instalación

El electrodoméstico puede instalarse de varias formas en función del diseño de la cocina. Debe instalarse en un lugar donde se tenga la certeza de que la puerta puede abrirse y cerrarse correctamente. Si las puertas no pueden abrirse al menos 90 grados, los cajones del electrodoméstico no podrán abrirse.

- Métodos de colocación de armarios refrigeradores individuales



- Métodos de colocación de armarios refrigeradores dobles



2.8 Preparación para la instalación

Las instrucciones siguientes se refieren a una instalación empotrada.

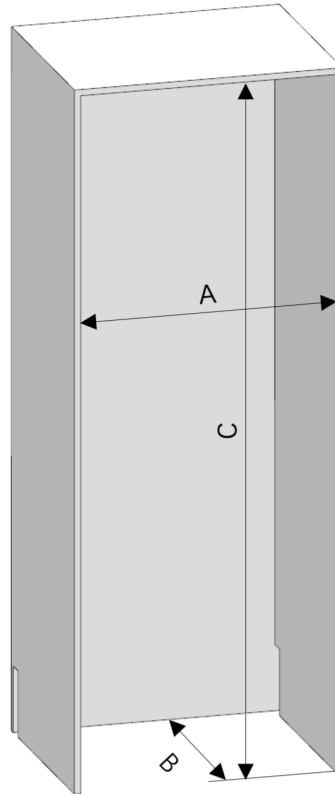
En una instalación empotrada, el electrodoméstico se instala en un hueco del armario o se enmarca con paneles.

Dimensiones del hueco

- Las dimensiones del hueco que figuran a continuación deben comprobarse antes de comenzar la instalación.

2. ANTES DE LA INSTALACIÓN

Categoría		REF30BMB...N...	REF36BMBZPNV	REF36FDBZPNV/24
A	anchura	30" (762 mm)	36" (914 mm)	36" (914 mm)
B	profundidad	25" (635 mm)	25" (635 mm)	25" (635 mm)
C	altura	84" (2134 mm)	84" (2134 mm)	84" (2134 mm)



2.9 Ubicación del cableado eléctrico

La ubicación de la toma de corriente en el armario donde se vaya a instalar el producto debe estar dentro de la zona indicada en la figura.



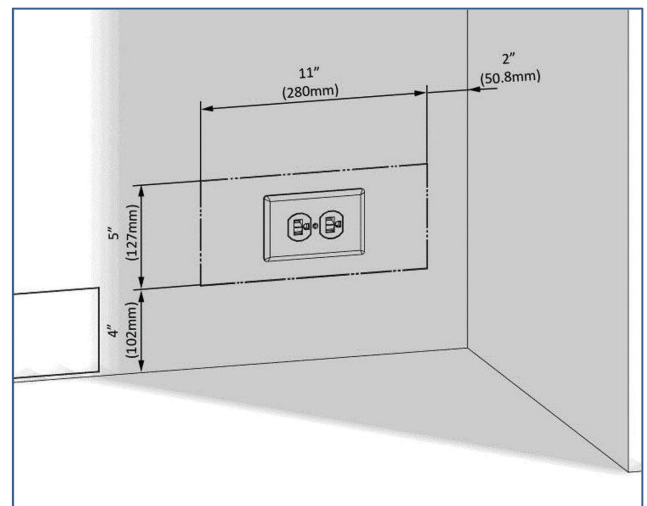
PRECAUCIÓN:

No utilice alargadores ni adaptadores de dos clavijas y no retire el terminal de tierra del cable de conexión a tierra.



PRECAUCIÓN:

Un electricista cualificado debe asegurarse de que los polos de la toma están conectados correctamente. Compruebe que la conexión a tierra de la toma es correcta.



2.10 Ubicación del sistema de agua

El agua conectada al suministro de agua debe ser potable.

La ubicación de la conexión de la línea de agua debe estar dentro del área que se muestra en la figura siguiente.

El sistema de agua del refrigerador debe estar conectado al suministro principal de agua del hogar. El usuario debe poder encenderlo/apagarlo utilizando la válvula cuando sea necesario.

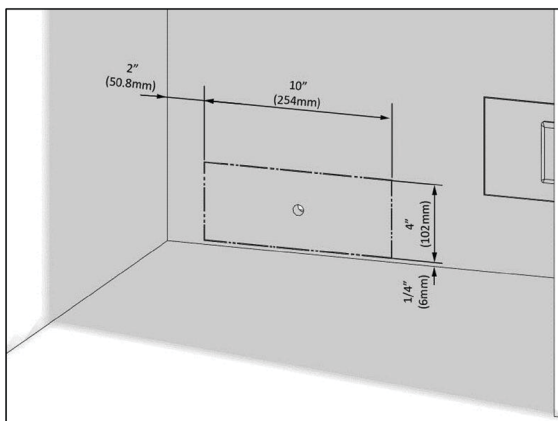
No debe haber objetos que puedan perforar las mangueras de agua o hacer que se retuerzan en el lugar donde está instalada la tubería de agua.

La presión del sistema de agua debe estar entre 25-80 psi (1,7-5,5 bar).

Si la presión del agua supera los 80 psi, instale un dispositivo limitador de presión o un protector contra impactos de agua en la válvula de entrada. No instale ni ponga en funcionamiento el electrodoméstico si es posible que la presión del agua supere los 120 psi.

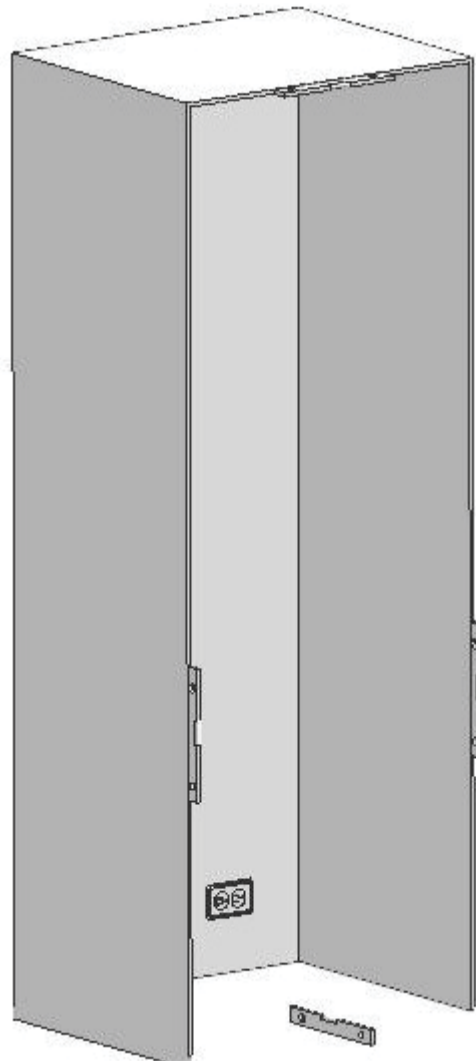
! ADVERTENCIA:

Asegúrese de que no haya fugas de agua al establecer las conexiones de agua. De lo contrario, el agua podría dañar los armarios. La tubería de suministro de agua debe estar situada en el armario donde se vaya a instalar el electrodoméstico. El usuario debe poder abrirla/cerrarla utilizando la válvula cuando sea necesario. Necesitará una manguera con una longitud mínima de 60 pulg. (1,5 m) y un diámetro de ¼ pulg. (6,35 mm) para las conexiones de agua del electrodoméstico durante la instalación. Debe utilizarse un conector que tenga una rosca con un diámetro exterior de ¼ pulg. (6,35 mm) para conectar el extremo de la manguera al producto. Antes de completar la instalación, asegúrese de que fluye el agua y de que no hay fugas.



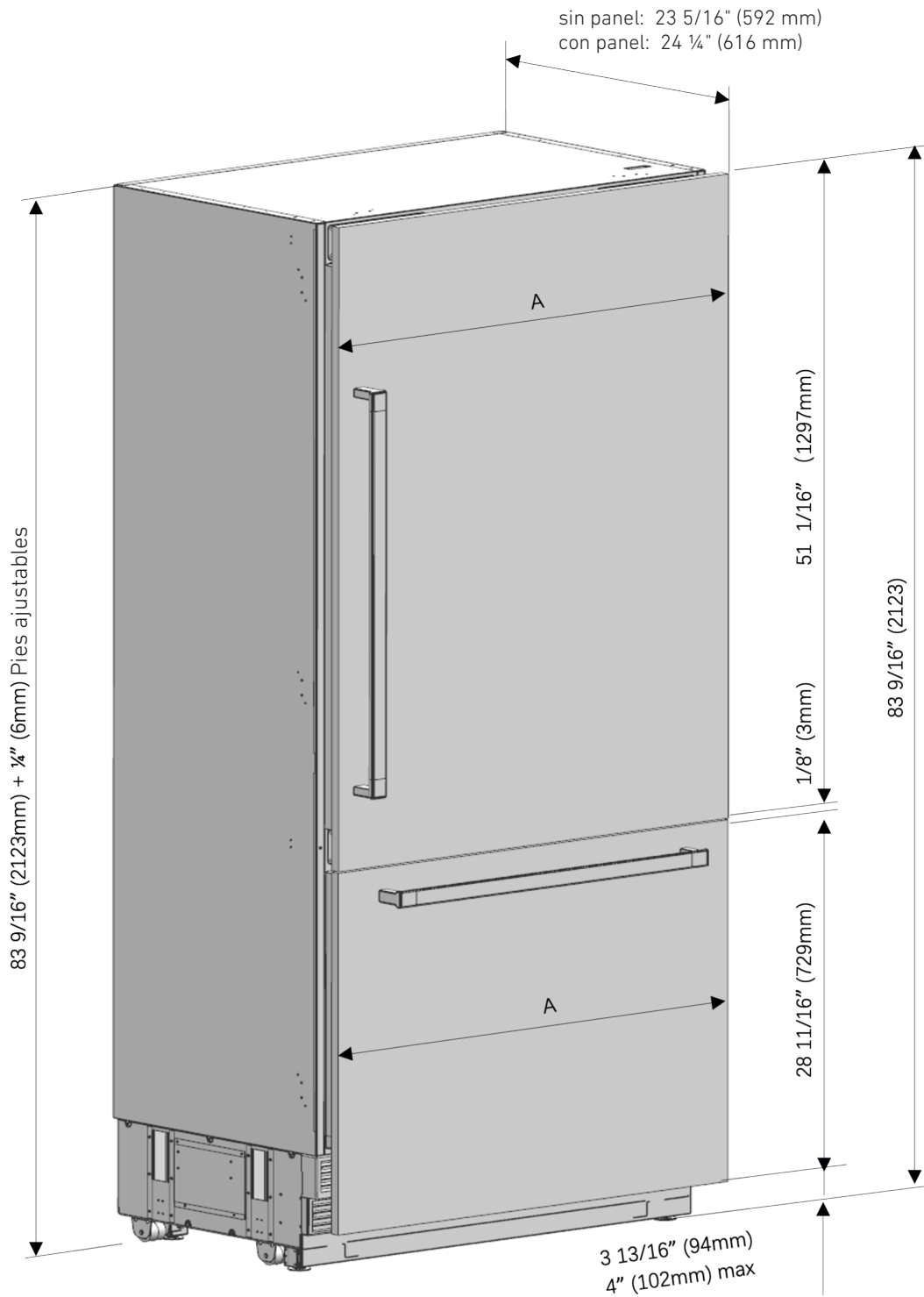
ADVERTENCIA:

- El nivel del suelo donde se va a instalar el producto debe comprobarse con un nivel de burbuja.
- Las bridas del armario deben comprobarse con un nivel de burbuja para asegurarse de que están perfectamente verticales.
- Si el electrodoméstico no está perfectamente nivelado y vertical, pueden surgir problemas con la instalación.

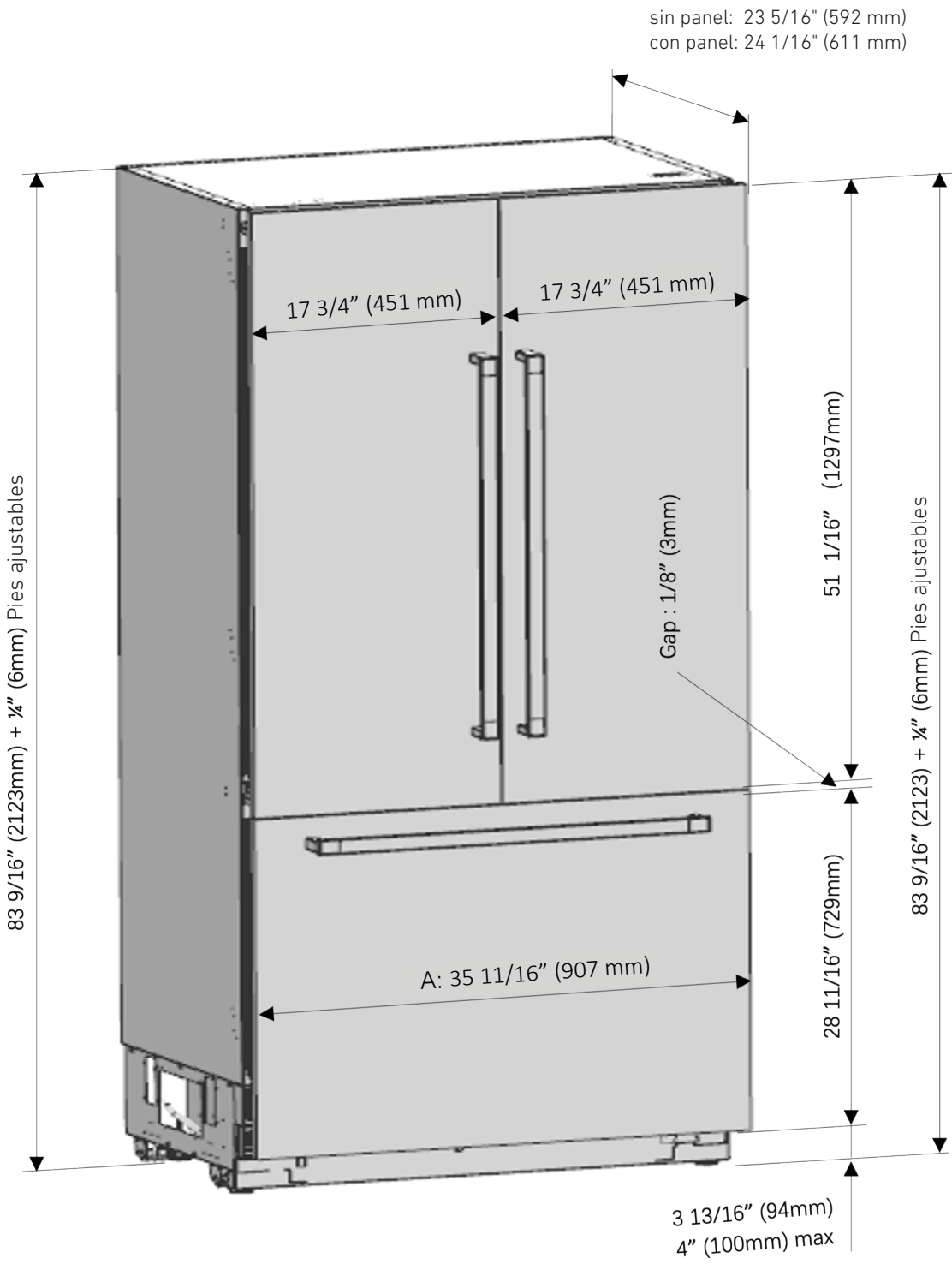


2.11 Dimensiones del producto y del panel

Categoría	REF30BMB...N...	REF36BMBZPNV
A	29 3/4" (756 mm)	35 3/4" (908 mm)



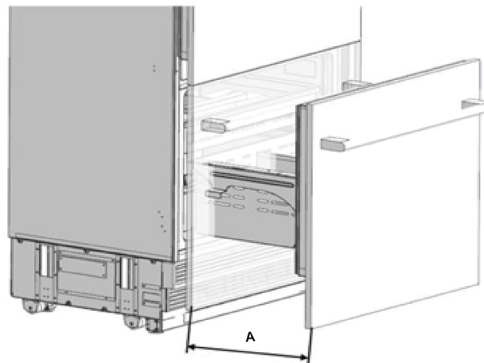
REF30BMB...N...
REF36BMBZPNV



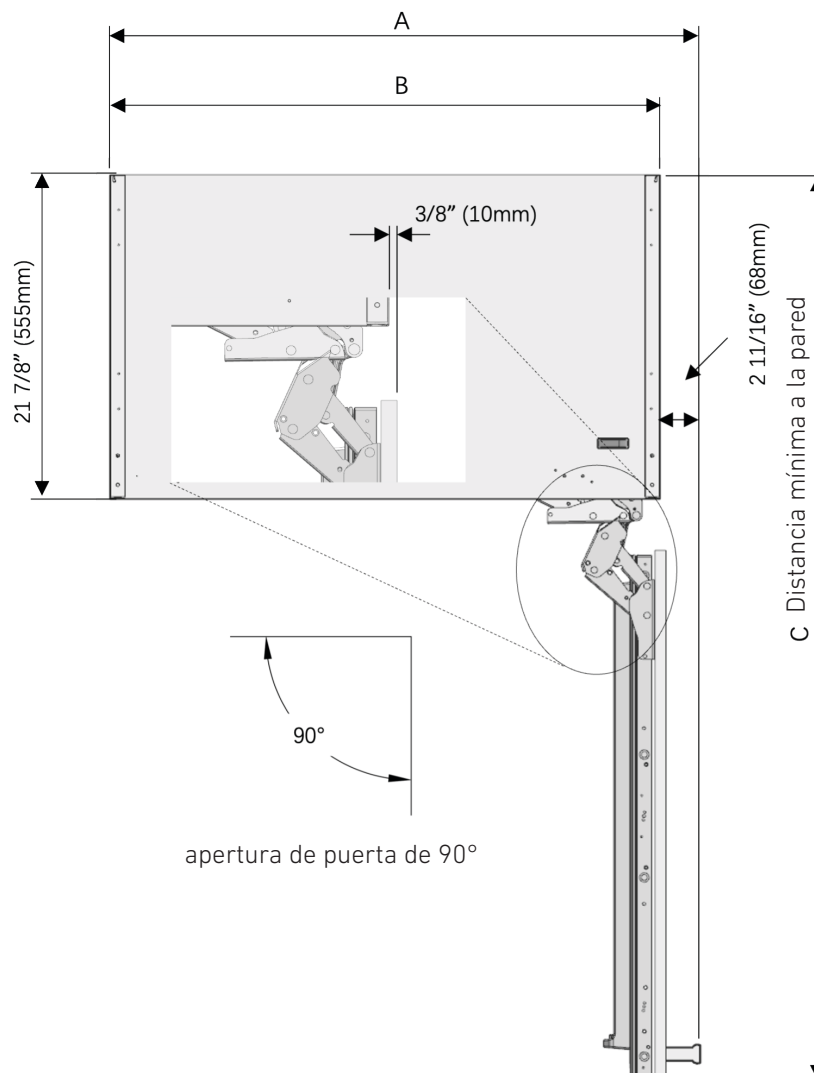
REF36FDBZPNV/24

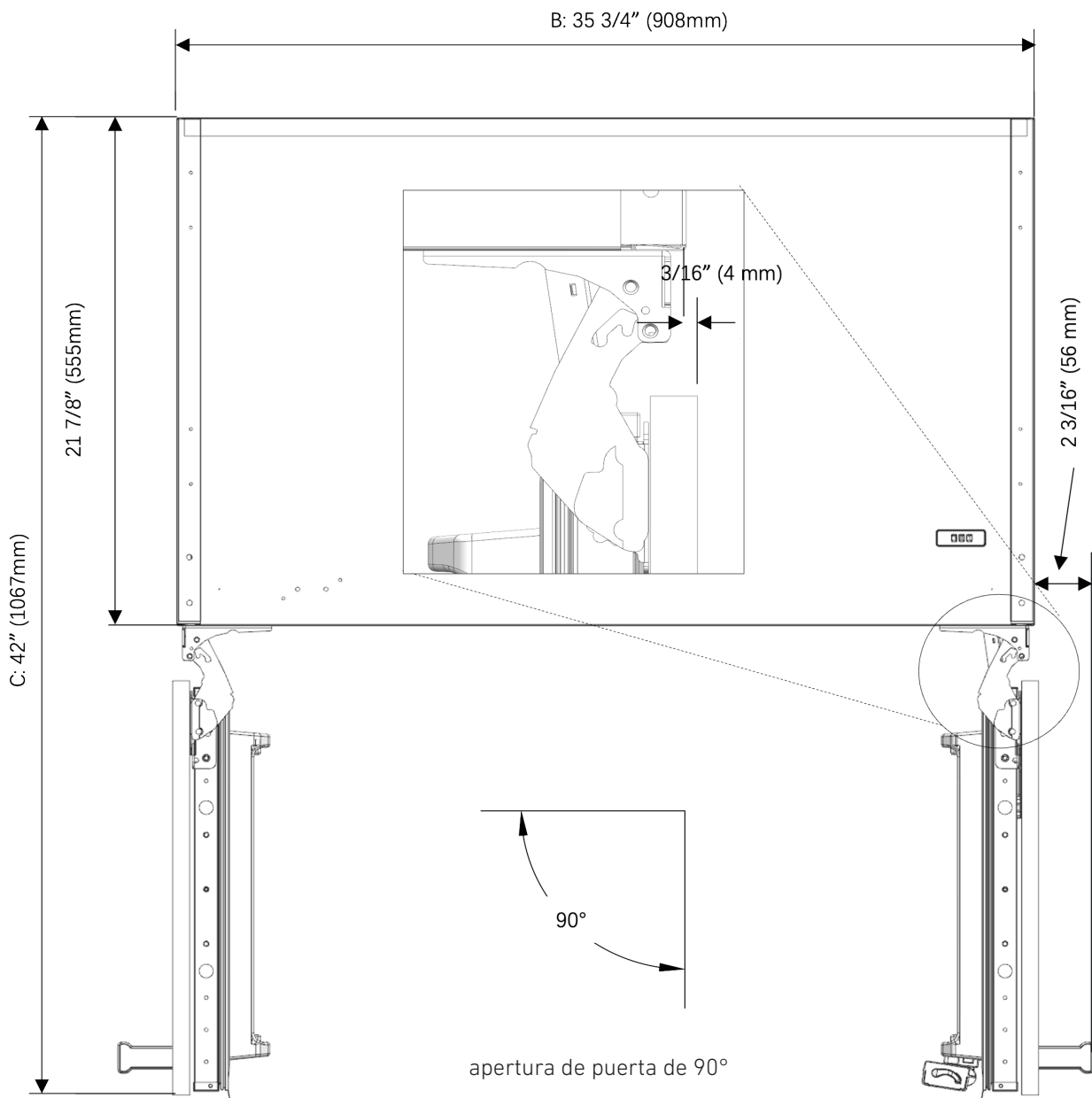
2. ANTES DE LA INSTALACIÓN

Categoría	REF30BMB...N...	REF36BMBZPNV	REF36FDBZPNV/24
A	15 1/4" (388mm)	15 1/4" (388mm)	15 1/4" (388mm)



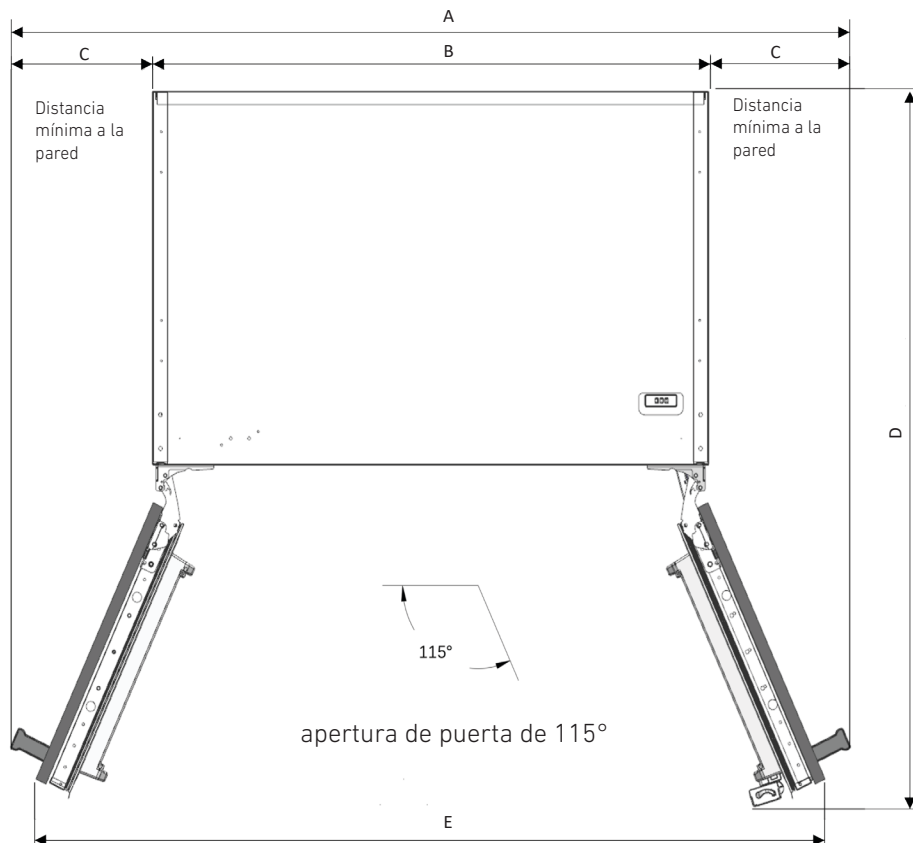
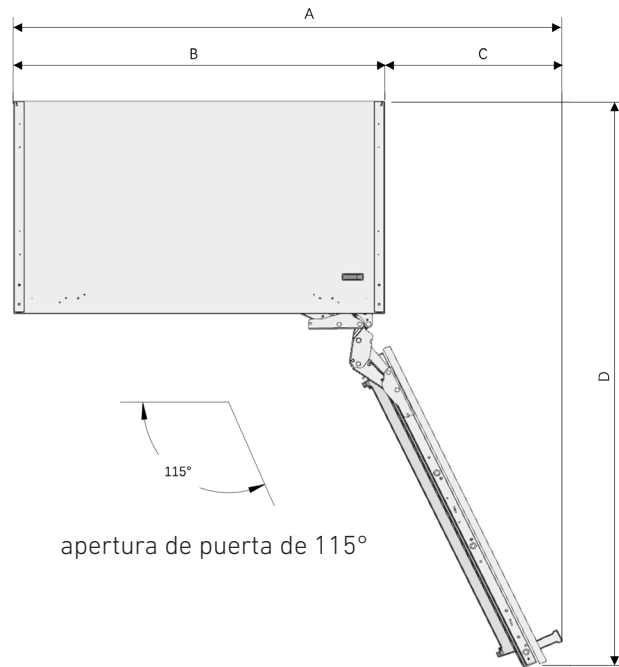
Categoría	REF30BMB...N...	REF36BMBZPNV	REF36FDBZPNV/24
A	32 7/16" (824 mm)	38 7/16" (976 mm)	41 1/8" (1044 mm)
B	29 3/4" (756 mm)	35 3/4" (908 mm)	35 3/4" (908 mm)
C	55 1/16" (1398 mm)	61" (1550 mm)	42" (1067 mm)

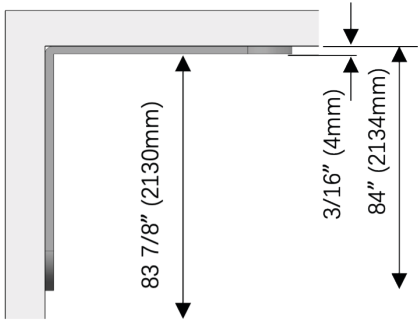




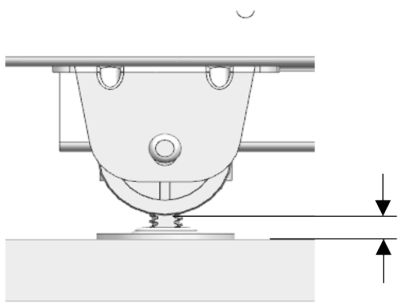
2. ANTES DE LA INSTALACIÓN

Categoría	REF30BMB...N...	REF36BMBZPNV	REF36FDBZPNV/24
A	44 3/8" (1127 mm)	54 3/4" (1391 mm)	53 7/8" (1368 mm)
B	29 3/4" (756 mm)	35 3/4" (908 mm)	35 3/4" (908 mm)
C	14 5/8" (371 mm)	19" (483 mm)	9 1/16" (230 mm)
D	52 11/16" (1338 mm)	57 3/4" (1466 mm)	41 3/4" (1061 mm)
E	-	-	50 3/4" (1289 mm)



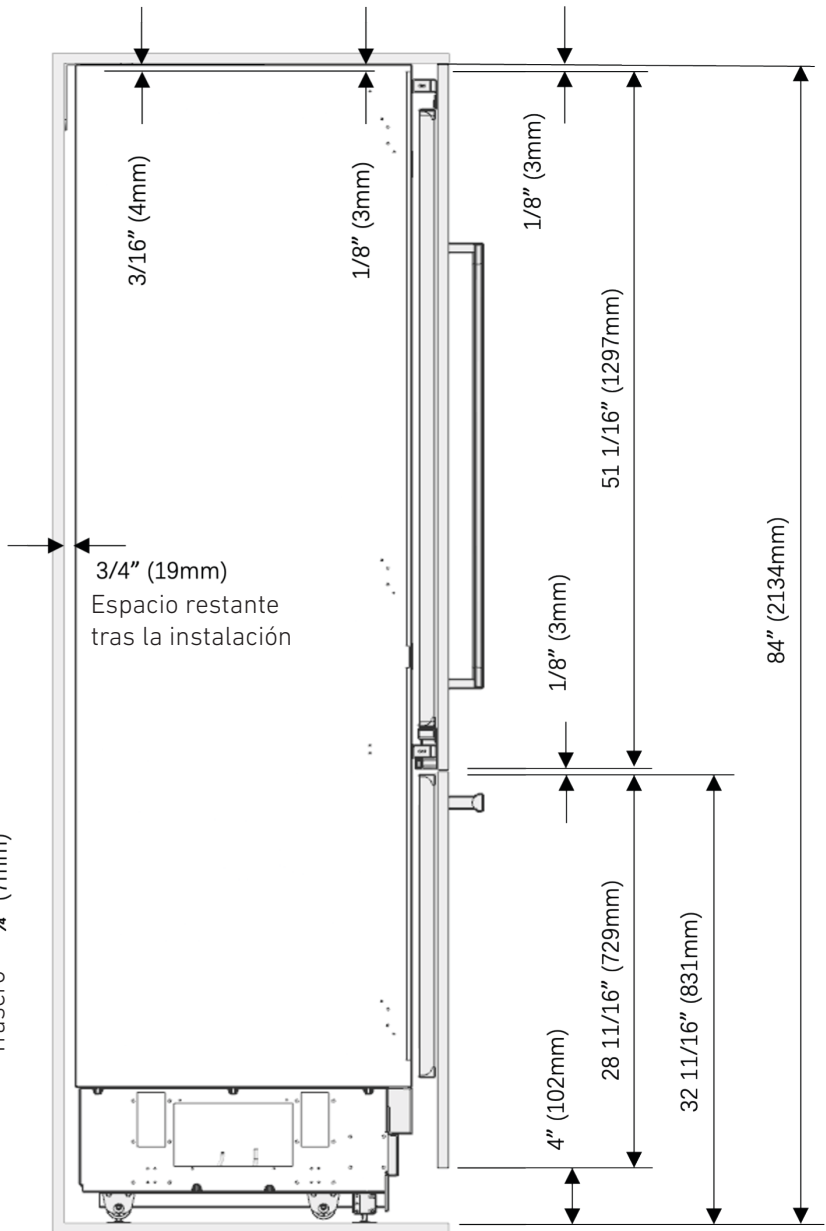


Ubicación del soporte antivuelco

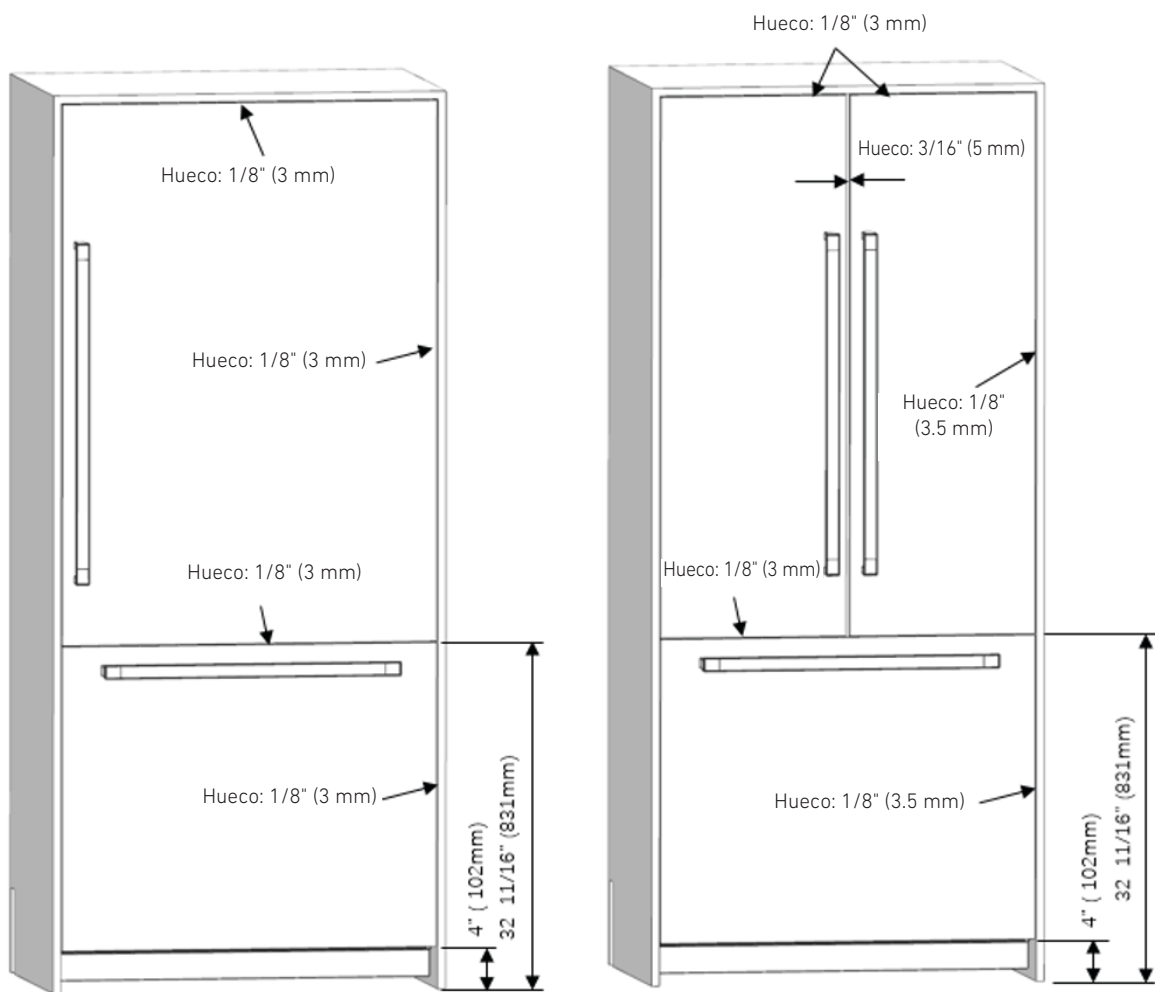


Ajuste de la altura mínima para la nivelación

Delantero 5/16" (8mm)
Trasero 1/4" (7mm)



2. ANTES DE LA INSTALACIÓN

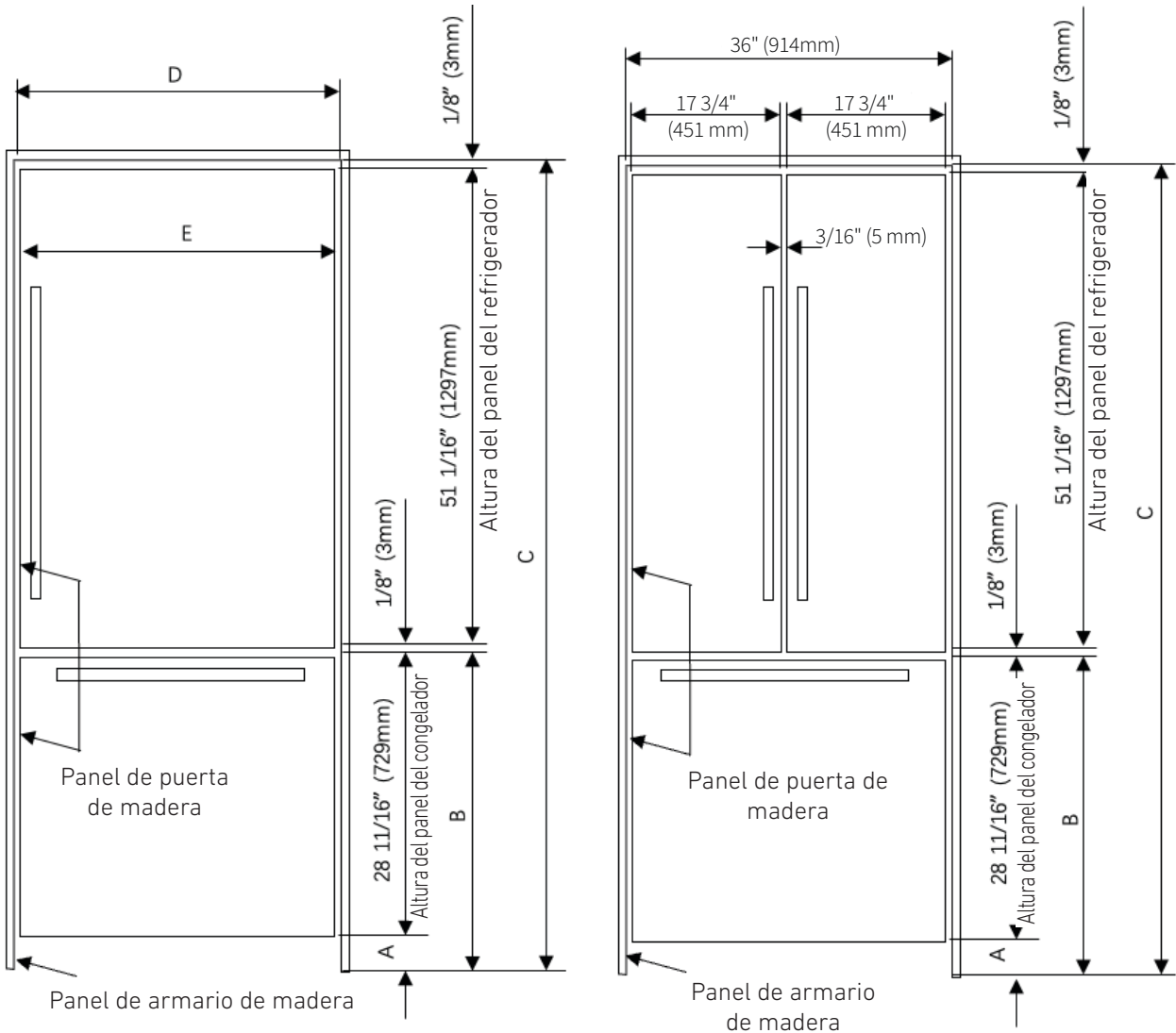


REF30BMB...N...
REF36BMBZPNV

REF36FDBZPNV/24

Altura de la encimera de la cocina en función de la altura mín./máx. del armario

	A	B	C
estándar	4" (102 mm)	32 11/16" (831 mm)	84" (2134 mm)
mínimo	3 13/16" (97 mm)	32 1/2" (826 mm)	83 13/16" (2129 mm)
máximo	5 3/8" (137 mm)	34 1/16" (866 mm)	85 3/8" (2169 mm)



Categoría	REF30BMB...N...	REF36BMBZPNV	REF36FDBZPNV/24
D	30" (762 mm)	36" (914 mm)	-
E	29 3/4" (756 mm)	35 3/4" (908 mm)	-

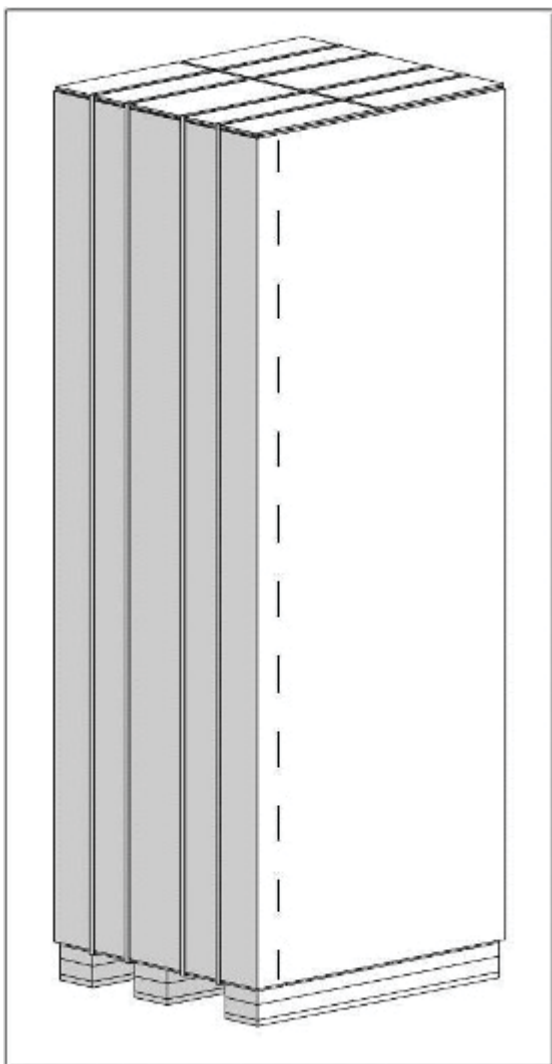
2.12 Desembalaje

**ADVERTENCIA:**

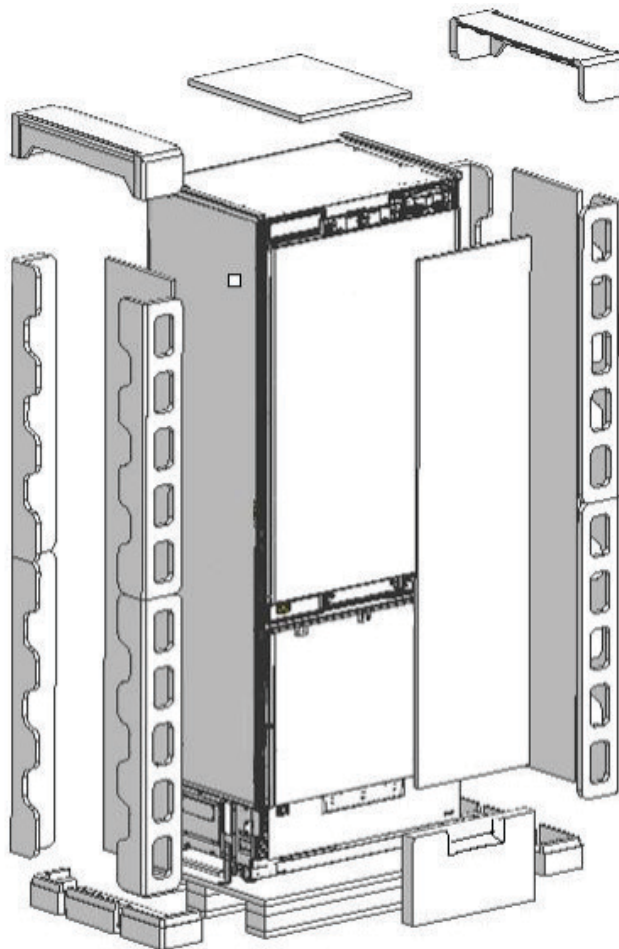
Al menos dos personas deben transportar el refrigerador.



- Utilice un cúter para retirar la cinta.
- Corte el embalaje de cartón por las líneas de puntos con un cúter y retírelo.

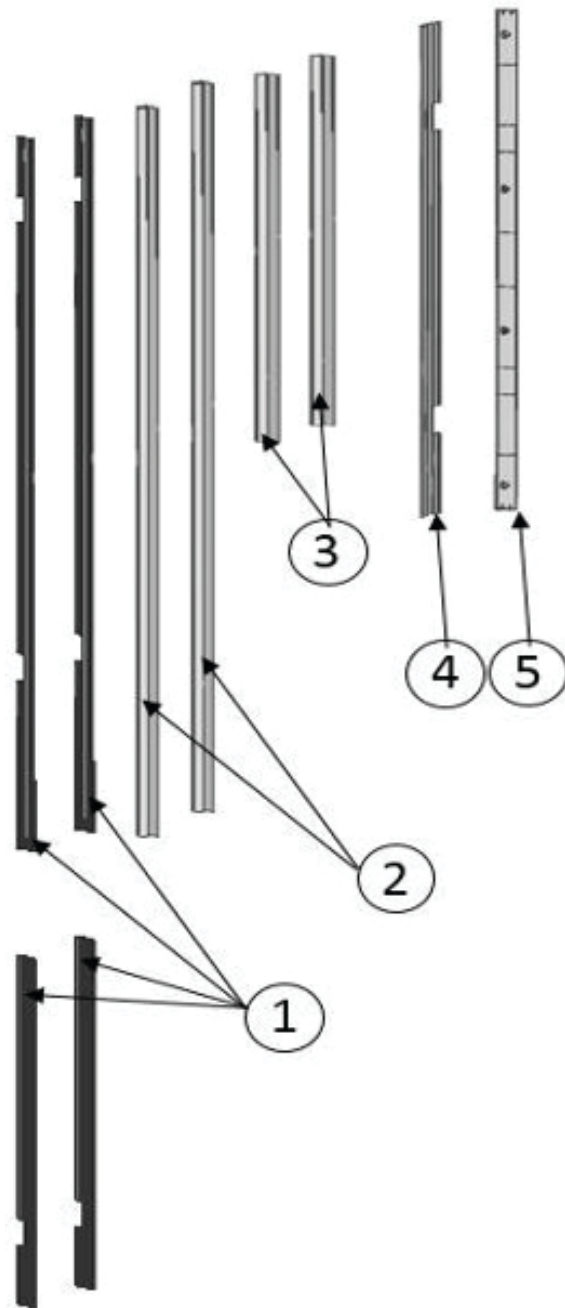


- Retire el material de embalaje de poliestireno.

**PRECAUCIÓN:**

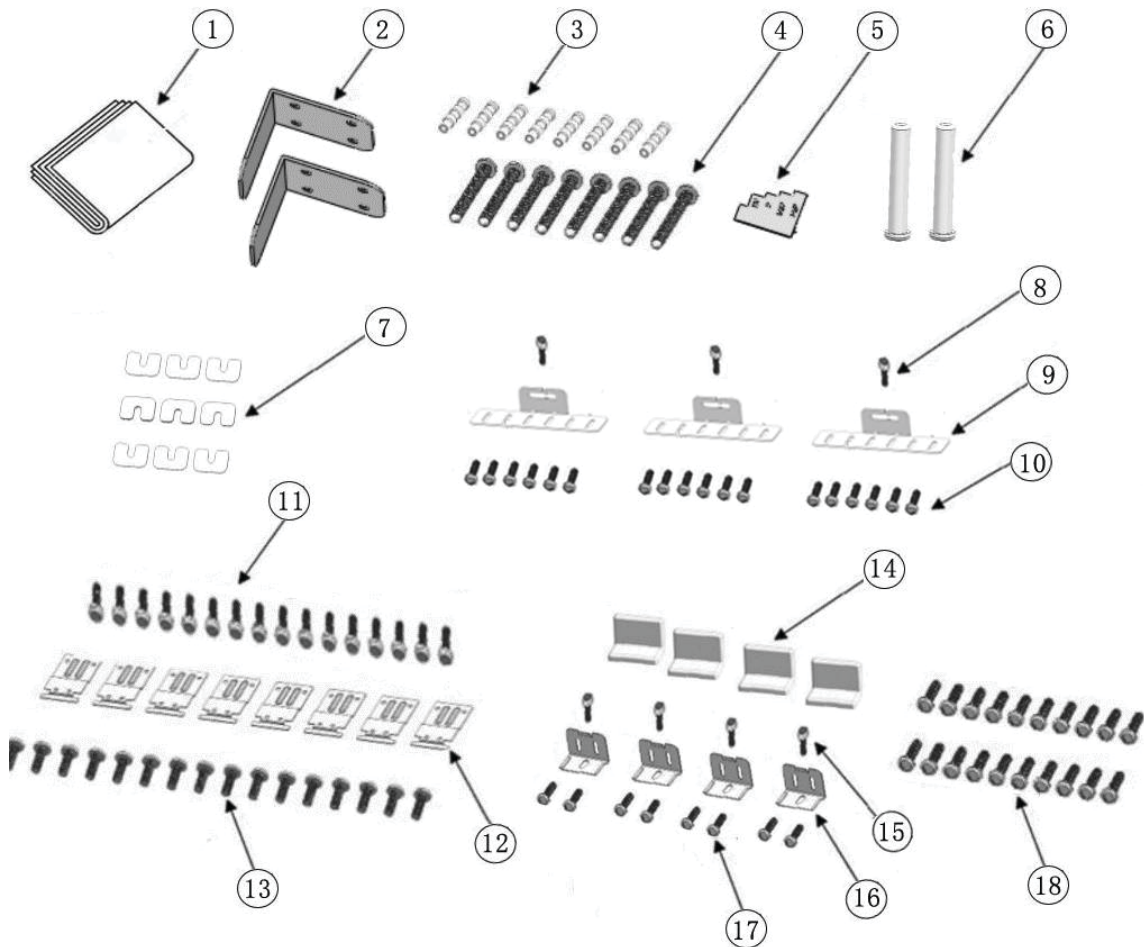
No retire la cinta adhesiva de la puerta superior del electrodoméstico hasta que el refrigerador esté colocado en el armario. Riesgo de vuelco.

2.13 Extracción de los conectores de la pared lateral de la unidad



N.º	Nombre de pieza	Espec.	REF30BMB...N...	REF36BMBZPNV	REF36FDBZPNV/24
1	Embellecedor del refrigerador, lado del armario	Extrusión de PVC, L = 617, L = 1.259	4	4	4
2	Embellecedor del refrigerador, lado de la puerta	Extrusión de PVC, L = 1.136	2	2	4
3	Embellecedor del congelador, lado de la puerta	Extrusión de PVC, L = 556	2	2	2
4	Embellecedor del refrigerador, parte superior del armario	Extrusión de PVC, L = 762, L = 914	1	1	1
5	Tapa para la parte superior de la puerta del congelador	ABS	1	1	1

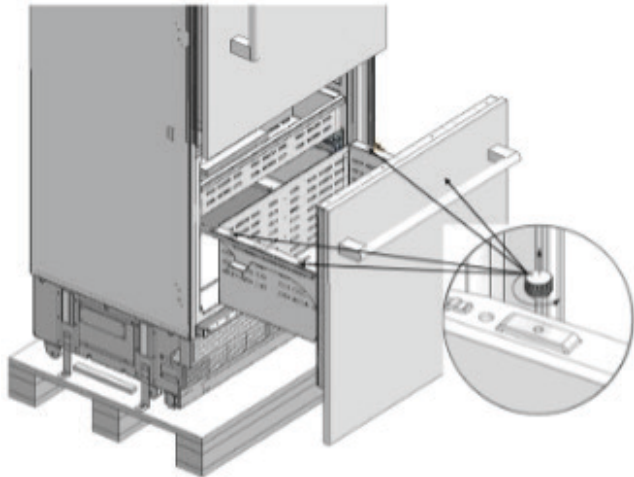
2.14 Cómo retirar los herrajes de instalación del compartimento del congelador



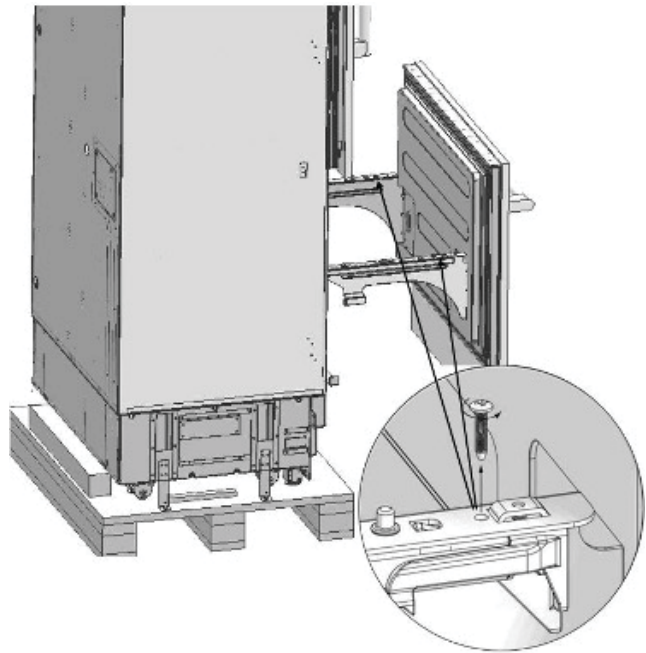
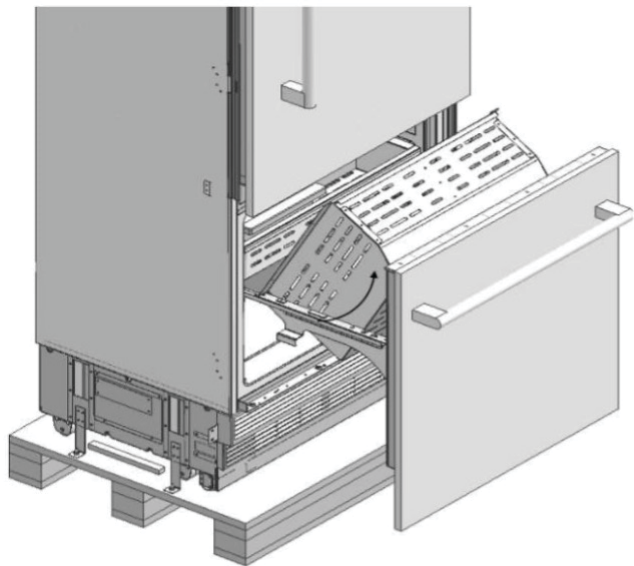
N.º	Nombre de pieza	Espec.	REF30BMB...N...	REF36BMBZPNV	REF36FDBZPNV/24
1	Plantilla de preparación de la puerta del mueble	papel	1	1	1
2	Soporte antivuelco	T4.0, revestimiento Zn	2	2	2
3	Clavija		8	8	8
4	Tornillos del soporte antivuelco	M8*L60	8	8	8
5	Posición de la plantilla de ajuste	PS	1	1	1
6	Pasadores limitadores de 90°	sus	1	1	2
7	Arandela de ajuste de la puerta del mueble del congelador	abs	9	9	9
8	Tornillo del soporte colgador de la puerta del congelador	ST4.8*16, tornillo de cabeza redonda 3	3	3	3
9	Soporte colgador de la puerta del congelador	T1.0, revestimiento Cr+zn	3	3	3
10	Tornillo del soporte colgador del mueble del congelador	ST4x14, tornillo avellanado	18	18	18
11	Tornillo del soporte de conexión del armario	M4*12, arandela con cabeza para armazón	16	16	16
12	Soporte de conexión armario-cabina	T1.0, revestimiento Zn	76	91	92
13	Tornillo del soporte de conexión de la cabina	ST4x14, tornillo avellanado	8	8	8
14	Cubierta del soporte de la puerta del mueble	abs	16	16	16
15	Tornillo del soporte de fijación de la puerta	M4*12, arandela con cabeza para armazón	4	4	2
16	Soporte de conexión de puerta-mueble	T1.0, revestimiento Cr+zn	4	4	2
17	Tornillo del soporte de fijación de la puerta del mueble	ST4x14, tornillo avellanado	8	8	4
18	Tornillo del soporte colgador de la puerta del mueble	ST4x14, tornillo avellanado	20	20	24

2.15 Desmontaje del cajón congelador

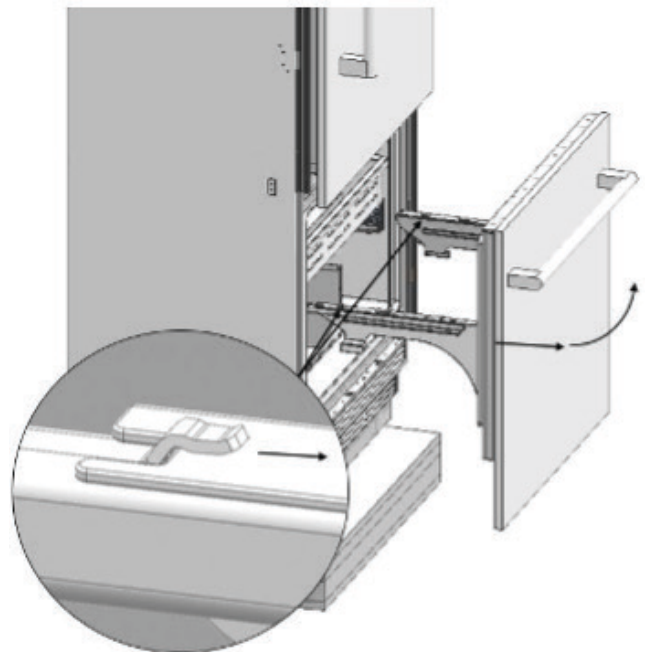
- Retírela manualmente extrayendo los 4 tornillos moleteados.



- Retire el cajón inferior.



- Tire de la puerta hacia afuera para liberarla de las lengüetas en la parte posterior y retírela.



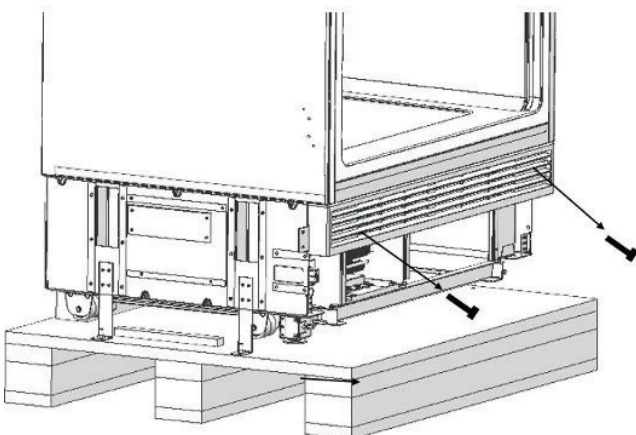
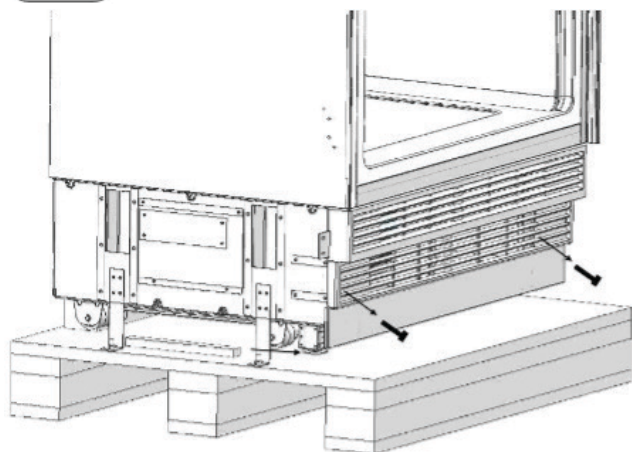
2.16 Desmontaje de la puerta del congelador

- Extraiga 2 tornillos cerca de la sección delantera que conectan la puerta del congelador al carril.



2.17 Desmontaje de las cubiertas de las rejillas de ventilación inferior y superior

- Extraiga los 2 tornillos laterales con un destornillador para retirar la cubierta de la rejilla de ventilación inferior.
- Retire los 2 tornillos laterales con un destornillador para retirar la cubierta de la rejilla de ventilación superior.



3. INSTRUCCIONES DE INSTALACIÓN

3.1 Antes de la instalación

Proceda a la instalación del producto según las instrucciones siguientes. Asegúrese de tener en cuenta los requisitos de los códigos nacionales y locales relativos a las instalaciones.

Por favor, cumpla con lo siguiente:

- Para EE.UU., el Código Eléctrico Nacional, ANSI/NFPA 70 (última versión)/Directivas estatales o municipales y/o regionales.
- Para Canadá, el Código Eléctrico Canadiense, C22.1 (última versión)/Directivas estatales o municipales y/o regionales.

3.2 Montaje de los soportes antivuelco

! **ADVERTENCIA:** Si el electrodoméstico no puede fijarse al mueble (que a su vez debe fijarse a la pared) para evitar que vuelque, asegúrese de utilizar los soportes antivuelco suministrados para evitar que el electrodoméstico vuelque.

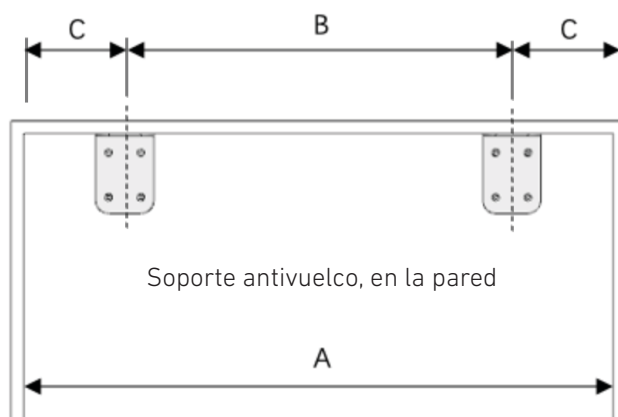
! **ADVERTENCIA:** Asegúrese de que no hay ninguna conexión eléctrica o de agua en los armarios adyacentes en los que se atornillarán los tornillos de montaje para fijar el refrigerador.



ADVERTENCIA:

Recuerde utilizar el equipo de protección necesario cuando taladre orificios en la pared y realice la instalación.

- Utilice una cinta métrica para marcar la pared para la instalación de los soportes antivuelco (2).



Categoría	REF30BMB...N...	REF36BMBZPNV	REF36FDBZPNV/24
A	30" (762 mm)	36" (914 mm)	36" (914 mm)
B	23 5/8" (600mm)	23 5/8" (600mm)	23 5/8" (600mm)
C	3 3/16" (81mm)	6 3/16" (157mm)	6 3/16" (157mm)

3. INSTRUCCIONES DE INSTALACIÓN

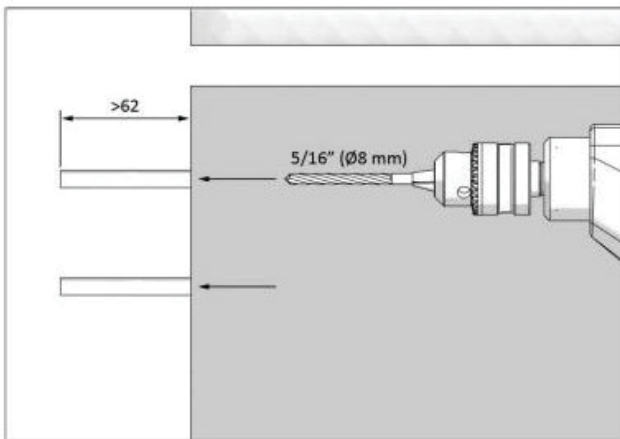
- Para una instalación más segura, utilice un localizador de montantes para fijar los soportes antivuelco en los montantes de la pared. Si no hay montantes en el lugar de instalación correcto, siga las instrucciones siguientes.



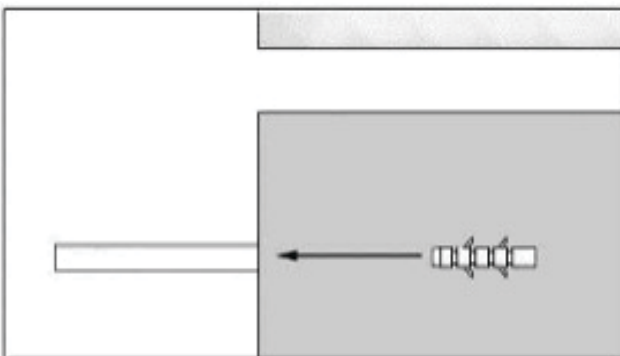
ADVERTENCIA:

Asegúrese siempre de que en la zona que perforar no haya líneas de agua ni circuitos eléctricos que puedan causar daños, lesiones o la muerte.

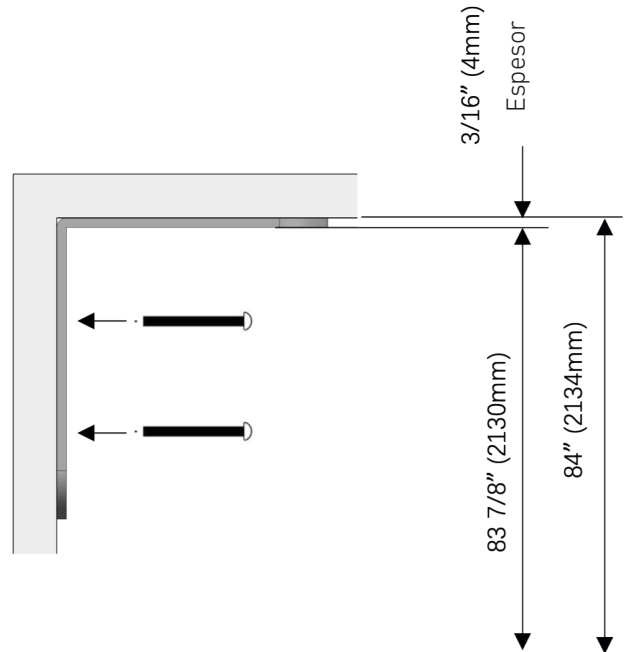
- Utilice un taladro para crear orificios para los anclajes de pared (n.º 3) en los puntos marcados. (5/16", Ø8)



- Utilice un martillo para instalar los anclajes de pared (n.º 3) si no hay ningún montante.



- Instale los soportes antivuelco (n.º 2) en su sitio, utilizando 4 tornillos (n.º 4) para cada uno. Debe utilizar los dos soportes para asegurarse de que el electrodoméstico quede bien sujeto.



NOTA:

Si no está seguro de que los conectores y los soportes antivuelco suministrados están montados en la pared con la seguridad necesaria, puede utilizar métodos antivuelco alternativos.

Si hay un panel de armario detrás de la pared trasera del refrigerador, asegúrese de que está bien sujeto a la pared. Para ello, debe asegurarse de que la pared trasera del panel del armario está fijada a un montante de la pared.

Método antivuelco alternativo:

Si los soportes antivuelco no pueden montarse de forma segura, deberá utilizar el método alternativo que se indica a continuación. Para este método, puede utilizar tableros de madera para evitar el riesgo de vuelco.

Deben instalarse como se ilustra en la figura siguiente.

No debe haber espacio libre entre el electrodoméstico y el soporte de madera.

Las dimensiones mínimas de la sección del soporte de madera deben ser de 3 pulg. x 4 pulg. (76 mm x 102 mm). La anchura del soporte debe ser igual al espacio libre donde se instalará. Para ello puede utilizar una pieza de madera para enmarcar de 4 pulg. x 4 pulg. (102 mm x 102 mm) o dos piezas de 2 pulg. x 4 pulg. (51 mm x 102 mm).

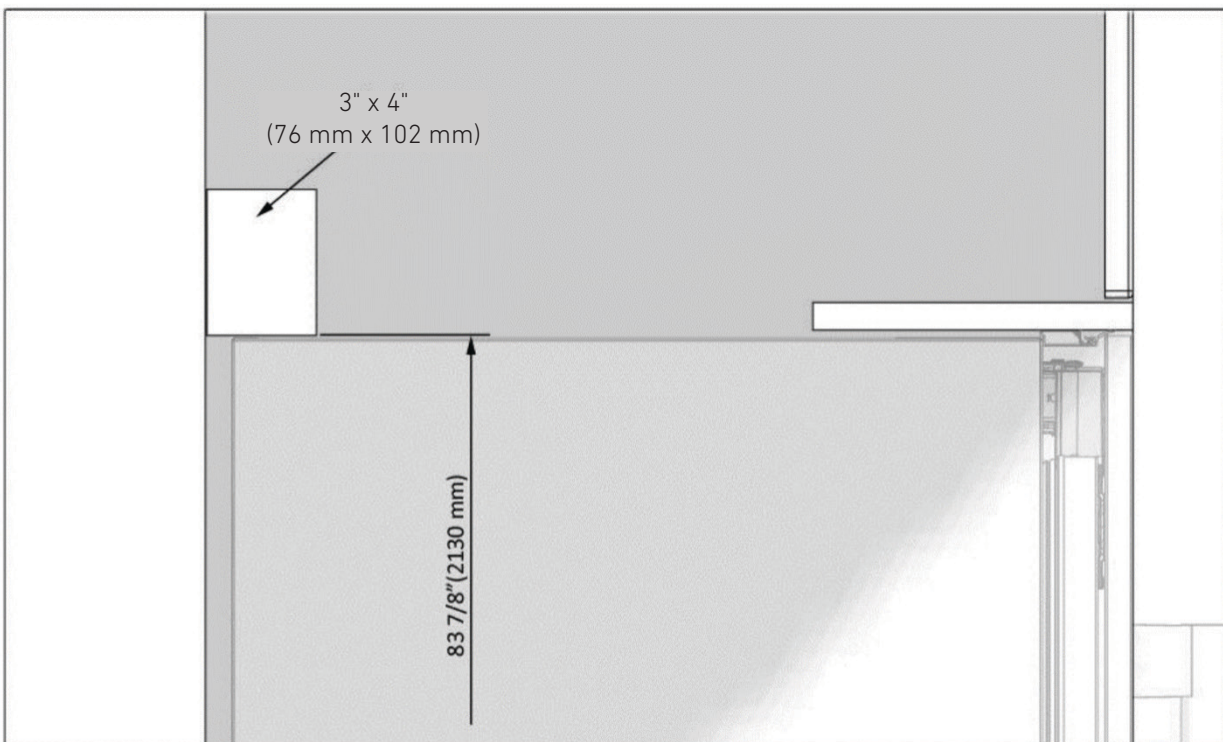
El cálculo de la profundidad de bloqueo se basa en una profundidad de hueco estándar. Si la profundidad del hueco es superior a 24 pulg. (610 mm), asegúrese de que el bloqueo sobrepase 2 pulg. (51 mm) la parte superior trasera del cuerpo del refrigerador.

Coloque el soporte de madera, marque la ubicación en la pared trasera, seleccione los tornillos adecuados y móntelo firmemente.



ADVERTENCIA:

La cantidad y el tipo de tornillos o fijaciones que se utilicen para fijar los tacos de madera deben ser los adecuados para garantizar una conexión segura con la pared posterior.



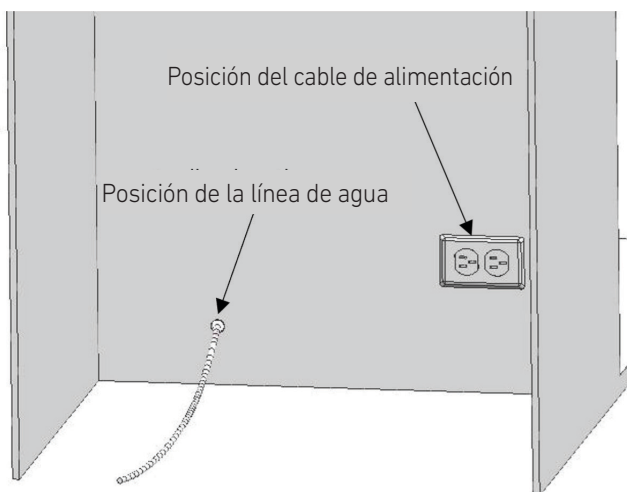
3.3 Preparación de la manguera de agua y la conexión eléctrica

Inspeccione todas las conexiones de agua en busca de fugas. Las fugas de agua pueden causar daños importantes con el tiempo. Se recomienda utilizar una línea de agua de ¼ pulg. (6,35 mm) con una longitud mínima de 60 pulg. (1,5 m) con un extremo de conector hembra roscado de ¼ pulg. (6,35 mm) Antes de terminar la instalación, abra el grifo para asegurarse de que el agua fluye y de que no hay fugas. Debe utilizarse un conector que tenga una rosca con un diámetro exterior de ¼ pulg. (6,35 mm) para conectar el extremo de la manguera al producto. Deje suficiente holgura en la línea de suministro de agua, proporcionando un mínimo de 10 pulg. (25,4 cm) de longitud desde la base de la unidad una vez instalada en el hueco. Esto proporciona cierto margen para conexiones y ajustes en caso necesario.

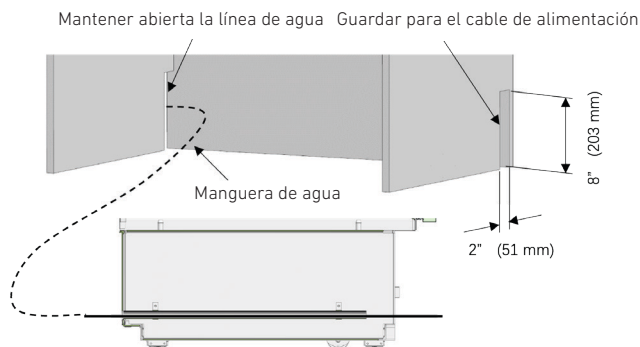
El producto debe conectarse a una toma de corriente de 3 clavijas en un circuito dedicado de 15 amperios; deben respetarse los códigos eléctricos y de construcción locales.

Puede elegir el método A o el método B para evitar que el cable de alimentación quede encajado.

- Método A: Coloque la manguera de agua y las conexiones de alimentación eléctrica en la parte posterior.



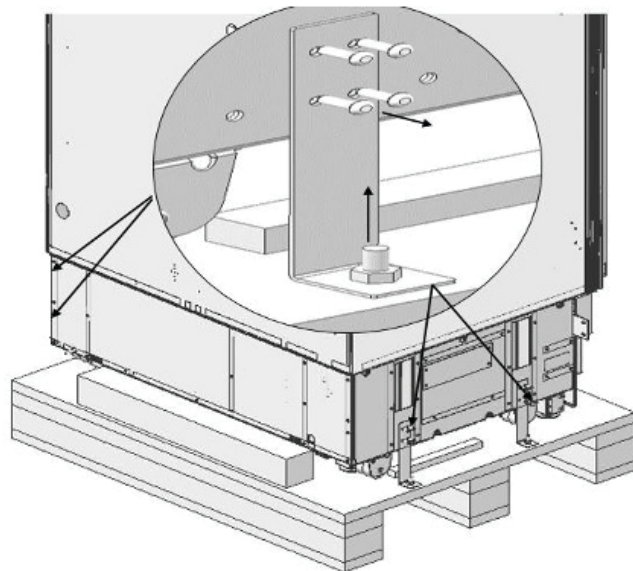
- Método B: Coloque la manguera de agua y las conexiones de alimentación eléctrica en el lateral.



3.4 Instalación en el armario

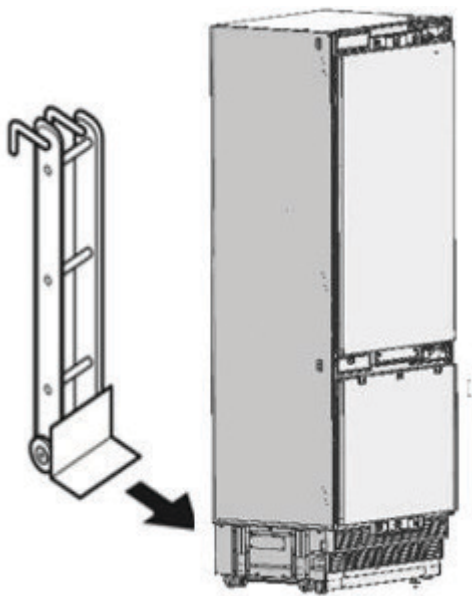
Retirar el refrigerador del palé de madera

- Retire los soportes que fijan el refrigerador al palé de madera como se muestra a continuación.

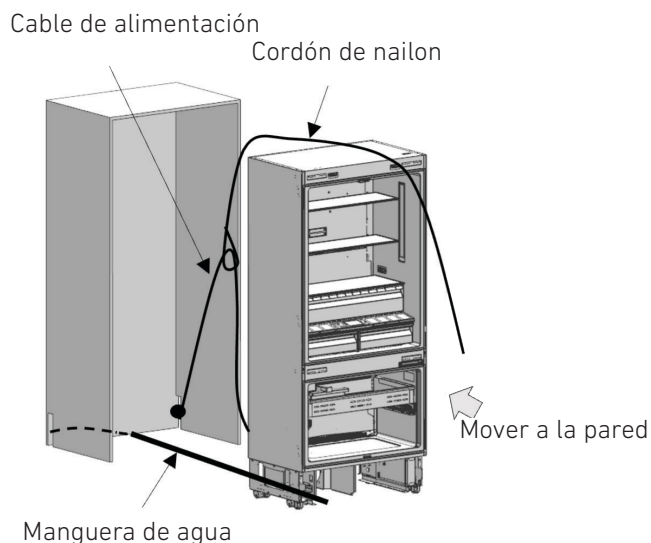


- Incline lentamente el refrigerador hacia atrás y retírelo del palé, con cuidado de no dañar la parte inferior del electrodoméstico. Al transportar el electrodoméstico, llévalo siempre por los lados para asegurarse de que los pies del electrodoméstico permanecen en la base de la plataforma rodante para electrodomésticos.





NOTA:
 Utilice el método que se indica a continuación para evitar que el cable quede encajado.



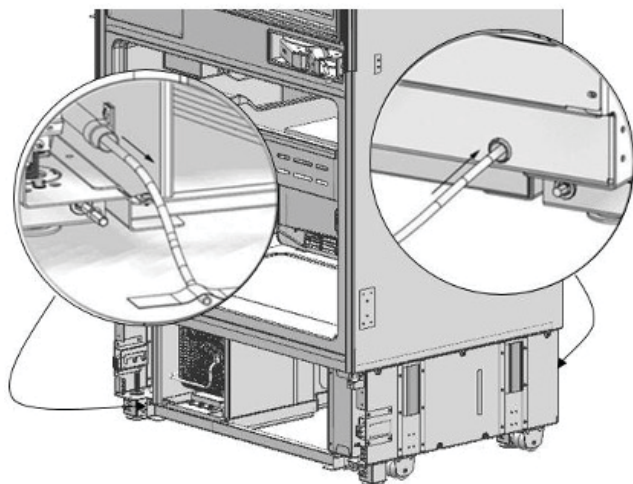
Conecte el enchufe eléctrico a la toma de corriente. Encienda la unidad para asegurarse de que tiene corriente. (Para saber si el producto está funcionando, compruebe si las lámparas del compartimento congelador están encendidas o apagadas.)

NOTA:
 Extreme las precauciones al manipular la unidad, ya que la parte inferior del refrigerador tiene componentes vitales para su correcto funcionamiento; si se dañan estos componentes, podría producirse una avería o una posible fuga de condensado y daños en el suelo.

PRECAUCIÓN:
 El riesgo de vuelco es alto a partir de este momento. No debe abrir las puertas hasta que el producto esté colocado en el armario.

Colocación del refrigerador en el hueco del armario.

- Introduzca la manguera de suministro de agua en la abertura del canal situada en la parte trasera del electrodoméstico y tire de ella hasta la parte delantera del electrodoméstico para garantizar que se pueda realizar la conexión de agua una vez instalado el electrodoméstico en el hueco.



NOTA:
 Proteja los bordes frontales del hueco del armario con cinta adhesiva; esto ayudará a protegerlos de posibles daños cuando vuelva a empujar la unidad dentro del hueco. Utilice un poco de cinta de embalar para fijar el cable eléctrico sobrante a la parte posterior de la unidad para evitar que quede flojo debajo de la unidad durante la instalación.

NOTA:
 El enchufe de la unidad debe ser accesible después de la instalación. Si no se puede acceder al enchufe después de la instalación, la alimentación debe tener un disyuntor específico al que se pueda acceder para cortar la corriente mediante el interruptor principal.

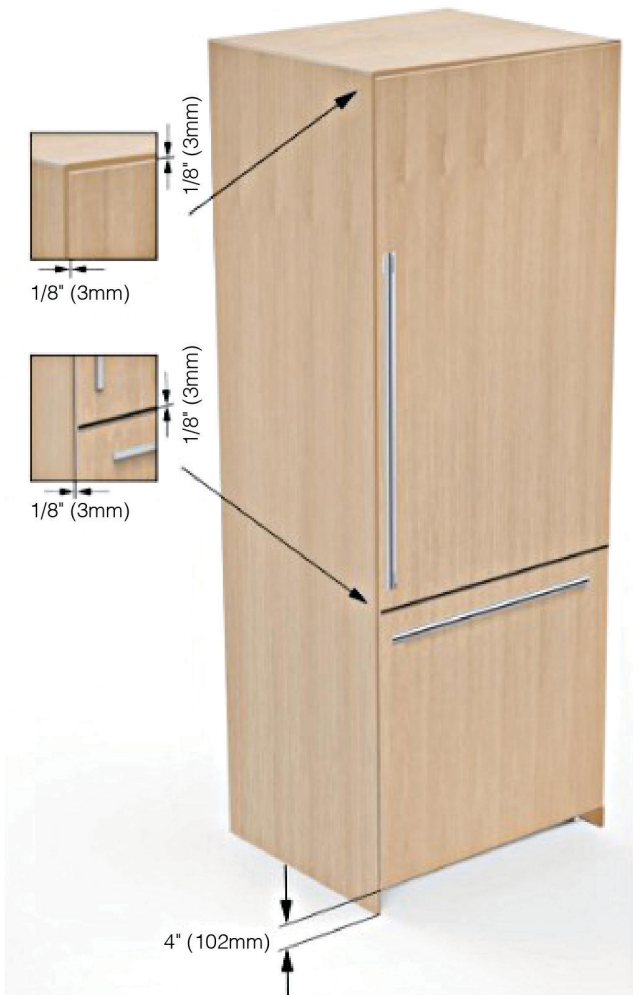
ADVERTENCIA:
 Asegúrese de que el cable de alimentación no quede encajado al colocar el producto.
 • Empuje el producto con cuidado hacia el armario para colocarlo; la unidad debería deslizarse en el hueco con relativa facilidad. Si experimenta resistencia al colocar el producto en el armario:

- El suelo puede estar desnivelado.
- Los pies ajustables podrían estar sueltos (consulte la sección correspondiente para saber cómo ajustar los pies ajustables).
- Debe fijar la puerta del congelador temporalmente para alinear el producto antes de colocarlo.



NOTA:

Utilice los bordes superiores de las puertas del refrigerador y del congelador para alinear la unidad en la abertura del hueco. El ajuste de otros bordes se explica en las páginas siguientes.



Ajuste de la altura del refrigerador dentro del hueco

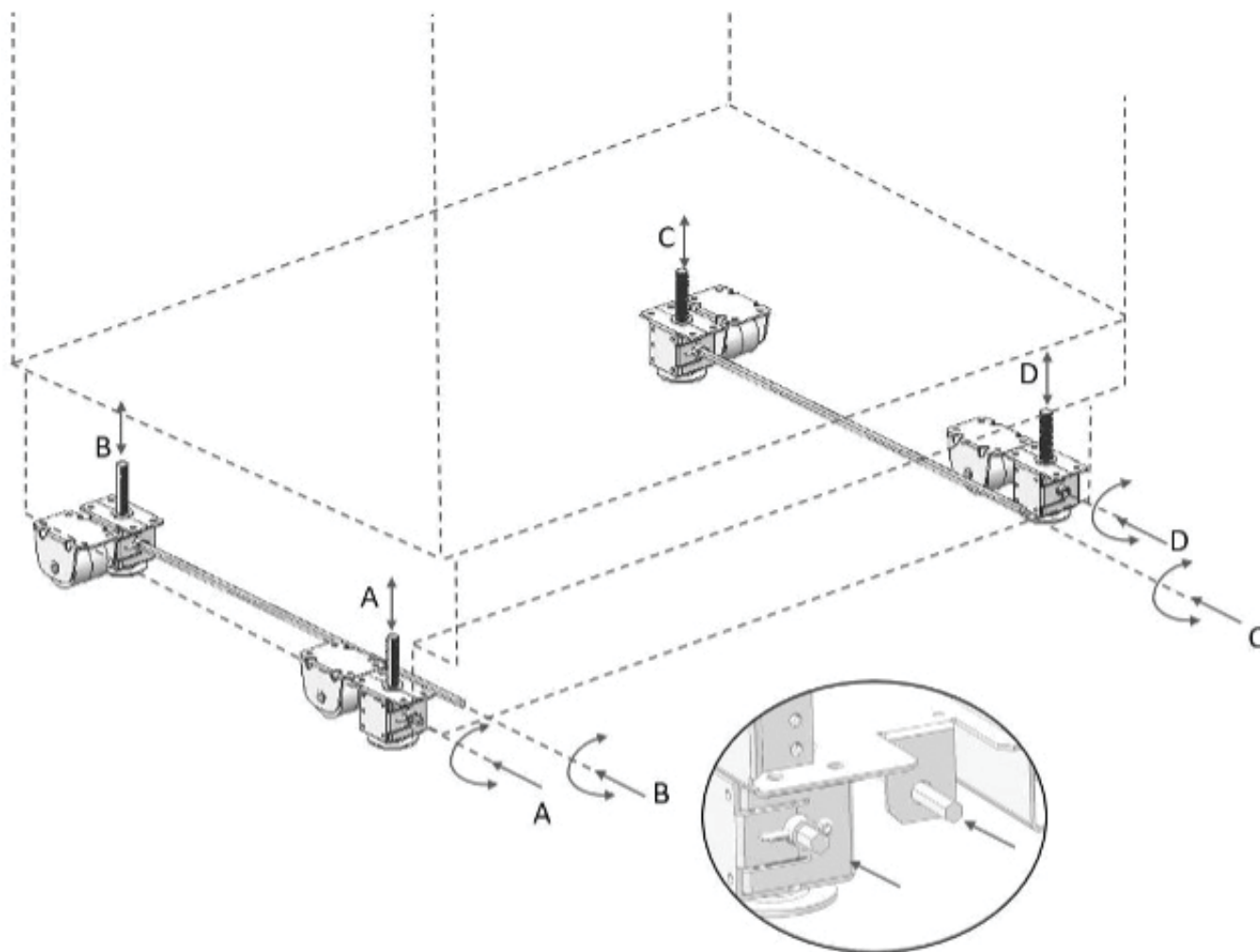
- Utilice el mecanismo de patas ajustables para subir, bajar y nivelar la unidad en el hueco según el diagrama siguiente.



ADVERTENCIA:

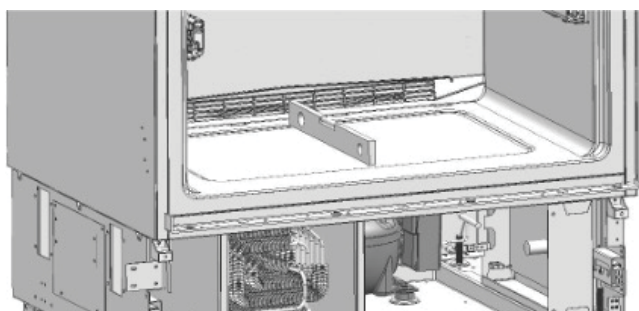
Una vez introducida la unidad en el hueco, levante primero las patas delanteras; esto reducirá el riesgo de que la unidad vuelque hacia delante durante el proceso de ajuste de la altura.

La altura máxima que pueden alcanzar las patas ajustables es de 1 9/16 pulg. (40 mm).



A/D – Gire la varilla de ajuste en sentido horario para levantar la parte delantera

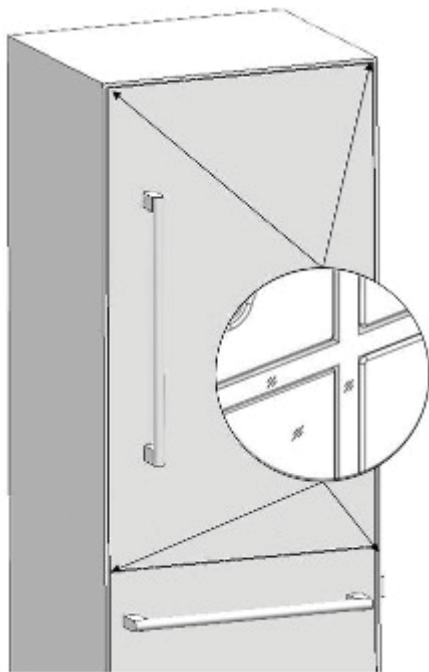
B/C – Gire la varilla de ajuste en sentido horario para levantar la parte trasera



Ajuste del refrigerador en función del hueco del armario.

- Para los productos con puertas de paneles de acero inoxidable, ajuste la posición de la unidad de modo que la puerta y la superficie del armario queden enrasadas y se garantice una distancia mínima de 1/8 pulg. entre los paneles y los laterales del armario.

- Después de regular las patas ajustables, compruebe que el electrodoméstico está nivelado tanto de lado a lado como de atrás hacia delante colocando un nivel en el suelo del compartimento del congelador (para ello deberá retirar el estante).



- Para las unidades preparadas para paneles, el refrigerador debe instalarse a una profundidad que tenga en cuenta el grosor del panel superpuesto a medida, con el fin de garantizar una instalación enrasada, si así se desea.



NOTA:

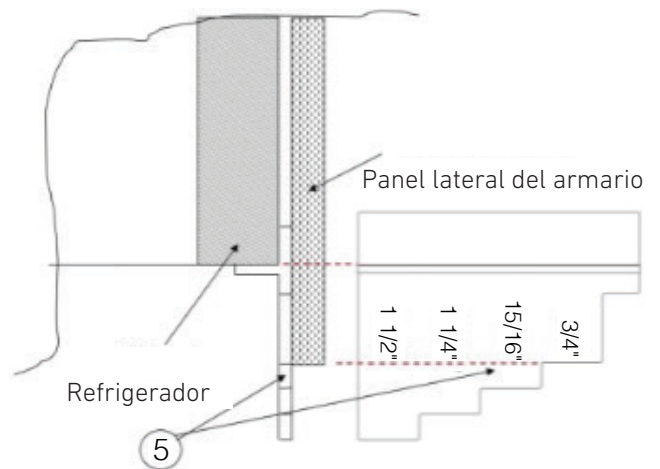
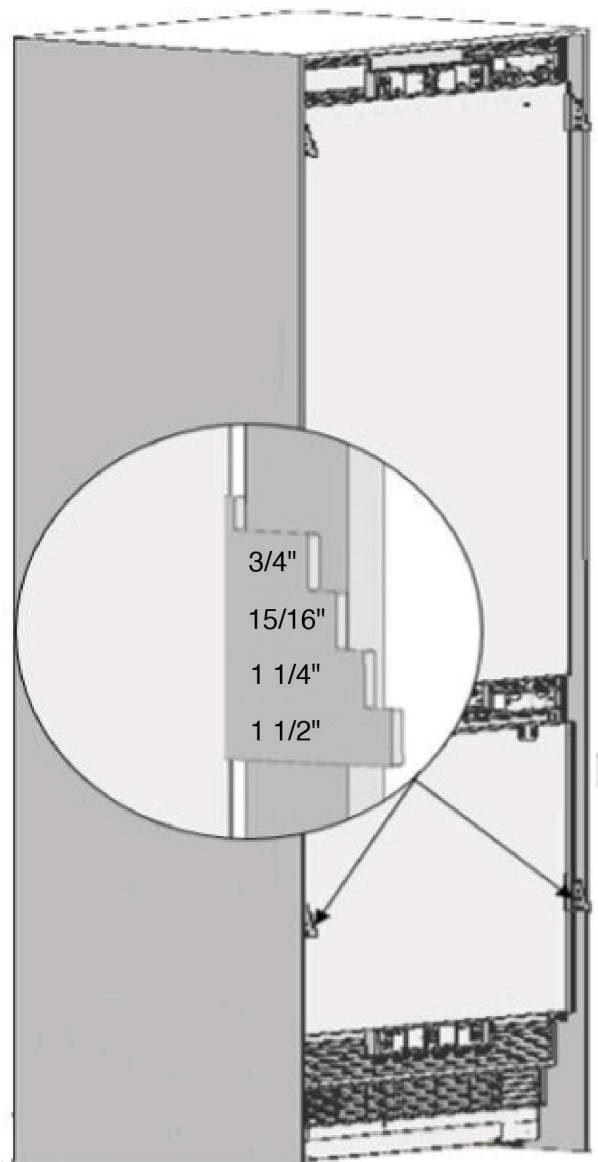
Es importante alinear el borde superior del cajón del congelador al alinear la unidad, ya que su altura y posición son fijas. Todos los demás paneles pueden ajustarse mediante los mecanismos de ajuste incorporados en los herrajes de montaje. Como se muestra a continuación, se proporciona una herramienta de plantilla de profundidad de instalación para su comodidad.

- Regule la posición de la pieza de ajuste del nivel (n.º 5) en función del grosor del panel de su puerta. La pieza n.º 5 facilita la alineación de la unidad con los armarios laterales para 4 grosores de panel de puerta diferentes.



ADVERTENCIA:

En la puerta francesa de montaje inferior modelo REF36FDBZPNV/24 solo se pueden montar paneles con un grosor de hasta 3/4 pulg. (19 mm)



**NOTA:**

El hueco debe diseñarse para acomodar el requisito de profundidad mínima más el panel de puerta más grueso, si se desea. Independientemente del grosor de la puerta, los pesos máximos de los paneles deben respetarse siempre, o la garantía del producto quedará anulada.

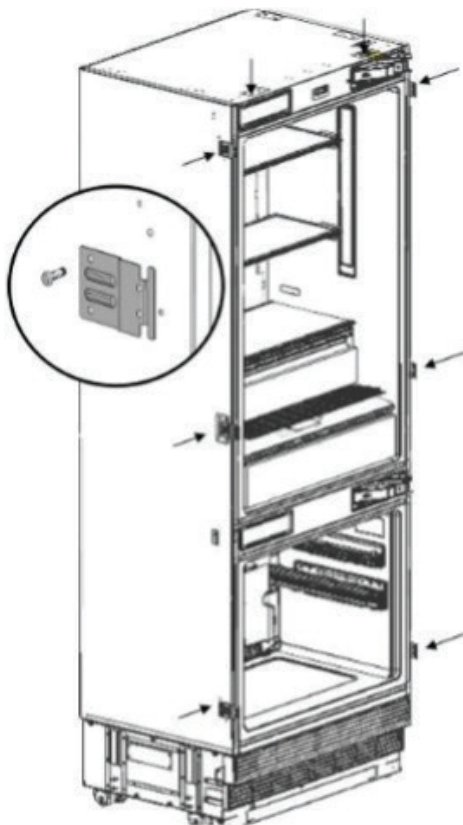
ATORNILLAR LOS SOPORTES LATERALES

- Monte los soportes laterales (n.º 12) en la unidad, con 2 en la parte superior y 3 a cada lado. Utilice 2 tornillos (n.º 11) por cada soporte para apretarlos en su sitio.

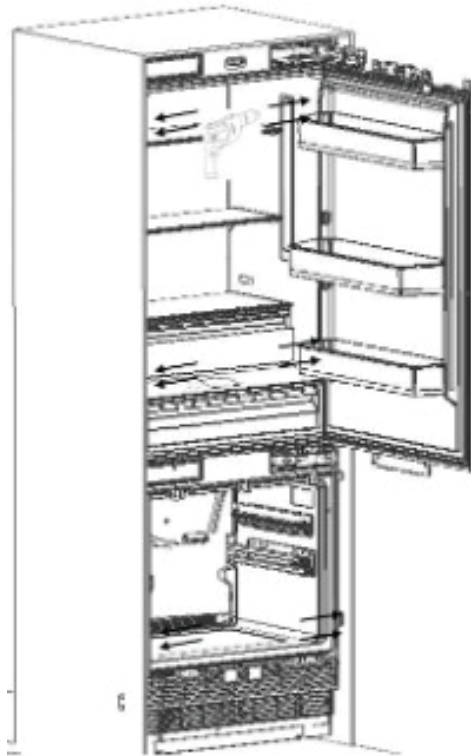
**ADVERTENCIA:**

Antes de atornillar los soportes laterales en los hastiales del armario, asegúrese de que el tornillo es más corto que el grosor de los faldones, de lo contrario podría dañarse el lateral acabado.

Antes de empezar a atornillar los soportes laterales y superior, asegúrese de que el electrodoméstico está conectado a la corriente, de que se suministra agua (si procede) al electrodoméstico y de que se ha comprobado que no hay fugas en la conexión de agua.

**NOTA:**

Taladrar un orificio piloto en el faldón lateral como referencia podría facilitar el proceso de montaje.

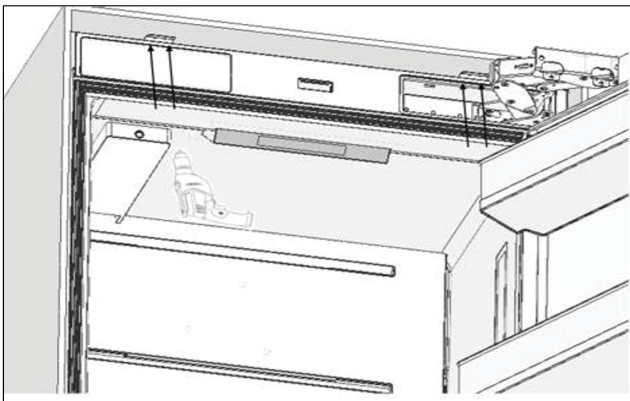


- Utilice 16 tornillos (n.º 13) para unir los soportes al armario.

**NOTA:**

Taladrar un orificio piloto en el faldón lateral como referencia podría facilitar el proceso de montaje.

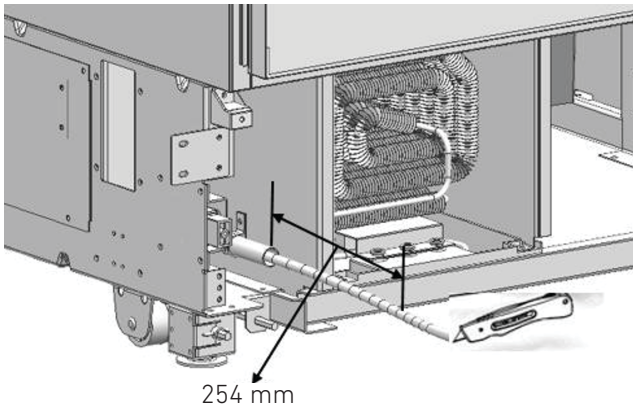




INSTALACIÓN DEL ARMARIO INFERIOR

Complete la conexión de agua

- Utilice un cúter para cortar cualquier exceso de longitud de la línea de agua, dejando una holgura suficiente de 10 pulg. (254 mm) para garantizar un doblado fácil y una conexión clara, sin tensiones ni posibles dobleces en la línea de suministro que llega hasta el conector.



- Utilice 2 llaves para conectar firmemente tanto la manguera que sale del suministro como la conexión a la válvula del refrigerador.



ADVERTENCIA:

La manguera que sale del suministro de agua debe ser de una sola pieza. No utilice mangueras de extensión.



ADVERTENCIA:

Asegúrese de que la corriente está cortada cuando establezca la conexión de agua del electrodoméstico.



ADVERTENCIA:

La válvula de agua debe estar cerrada al conectar la manguera de agua.



ADVERTENCIA:

Se recomienda mantener la válvula de agua accesible después de la instalación del producto.



ADVERTENCIA:

Este electrodoméstico solo es adecuado para su uso con un suministro de agua potable fría.



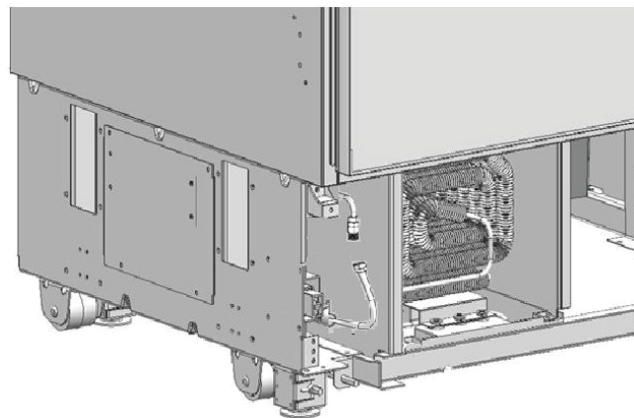
ADVERTENCIA:

La presión del sistema de agua debe estar entre 25-80 psi (1,7-5,5 bar).



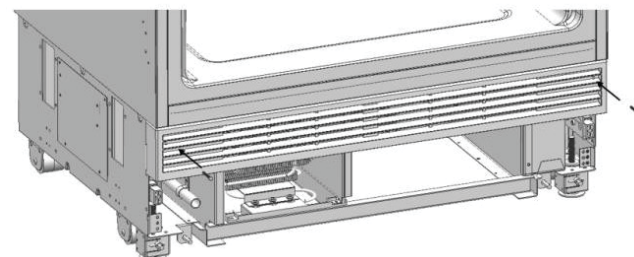
NOTA:

Una vez realizada la conexión, debe abrir la válvula de agua y asegurarse de que no hay fugas.



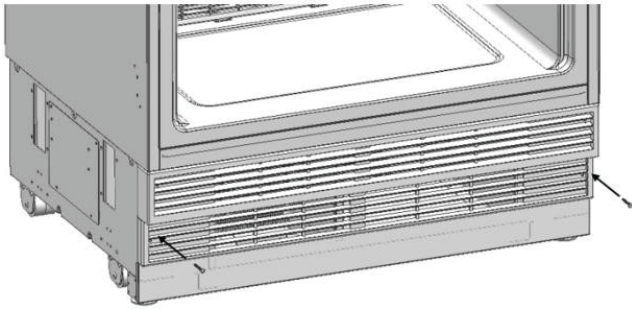
FIJACIÓN DEL COMPONENTE DE LA ABERTURA DE VENTILACIÓN SUPERIOR

- Utilice 2 tornillos para fijar el componente de la abertura de ventilación superior.



FIJACIÓN DEL CONJUNTO DE LA ABERTURA DE VENTILACIÓN INFERIOR

- Utilice 2 tornillos para fijar el componente de la abertura de ventilación inferior.



NOTA:

La rejilla inferior puede ajustarse para adaptarse al rodapié del armario. Además, se puede colocar un trozo de material decorativo para los pies de los armarios en la rejilla inferior para que haga juego con los armarios, siempre que no obstruya las rejillas de ventilación ni el flujo de aire.

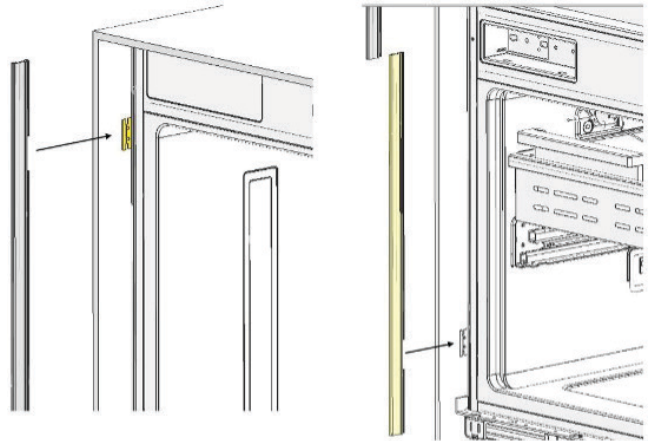


ADVERTENCIA:

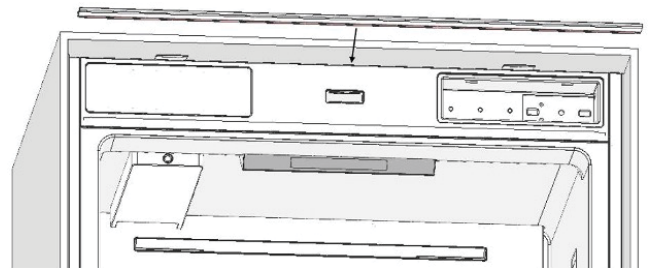
Si instala un rodapié de una sola pieza en la parte delantera del refrigerador, debe asegurarse de que el aire fluye correctamente y de que no obstruye las rejillas de ventilación.

COLOCACIÓN DE LOS EMBELLECEDORES DECORATIVOS

- El embellecedor lateral decorativo es un material plástico blando con un extremo dentado destinado a insertarse entre el lateral del armario y el cuerpo del electrodoméstico (n.º 1), en los soportes de conexión derecho/izquierdo. Es posible que sea necesario realizar algunos recortes para garantizar que las piezas embellecedoras puedan encajar alrededor de los soportes; el grosor del extremo con púas también puede requerir recortes en función de la anchura del hueco entre el cuerpo lateral y el faldón del armario.



- Introduzca el embellecedor superior (n.º 4) en el soporte de conexión superior.



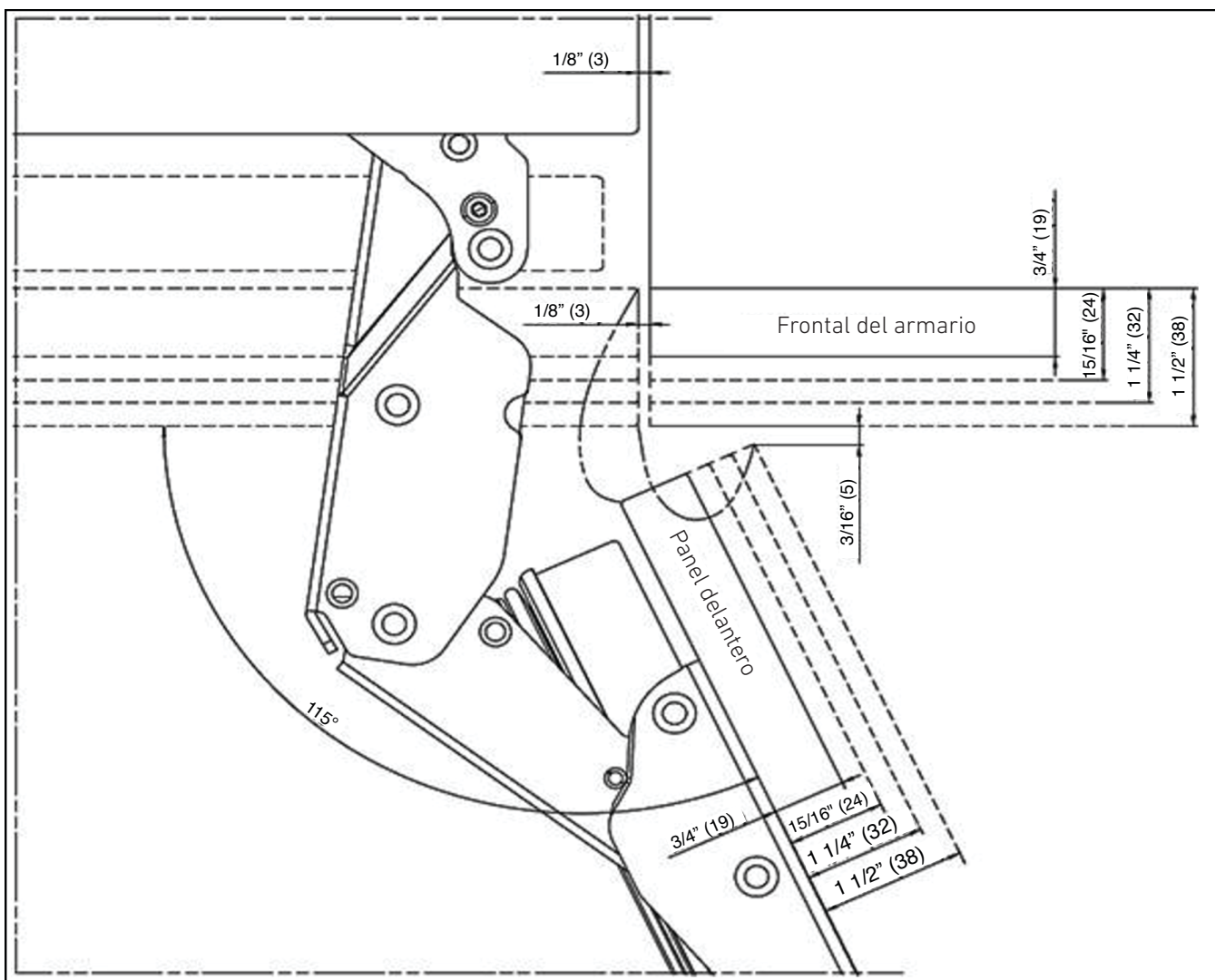
3.5 Instalación y preparación del panel superpuesto

Esta sección contiene información sobre la preparación de las puertas del armario y su montaje en el producto.



ADVERTENCIA:

Los pesos máximos de los paneles que montar en la unidad son los siguientes:
Puerta del refrigerador de montaje inferior: 35 lb (16 kg)
Puertas francesas del refrigerador: 44 lb (20 kg)
Puerta del congelador: 20 lb (9 kg)



ELEGIR EL GROSOR DE LA PUERTA

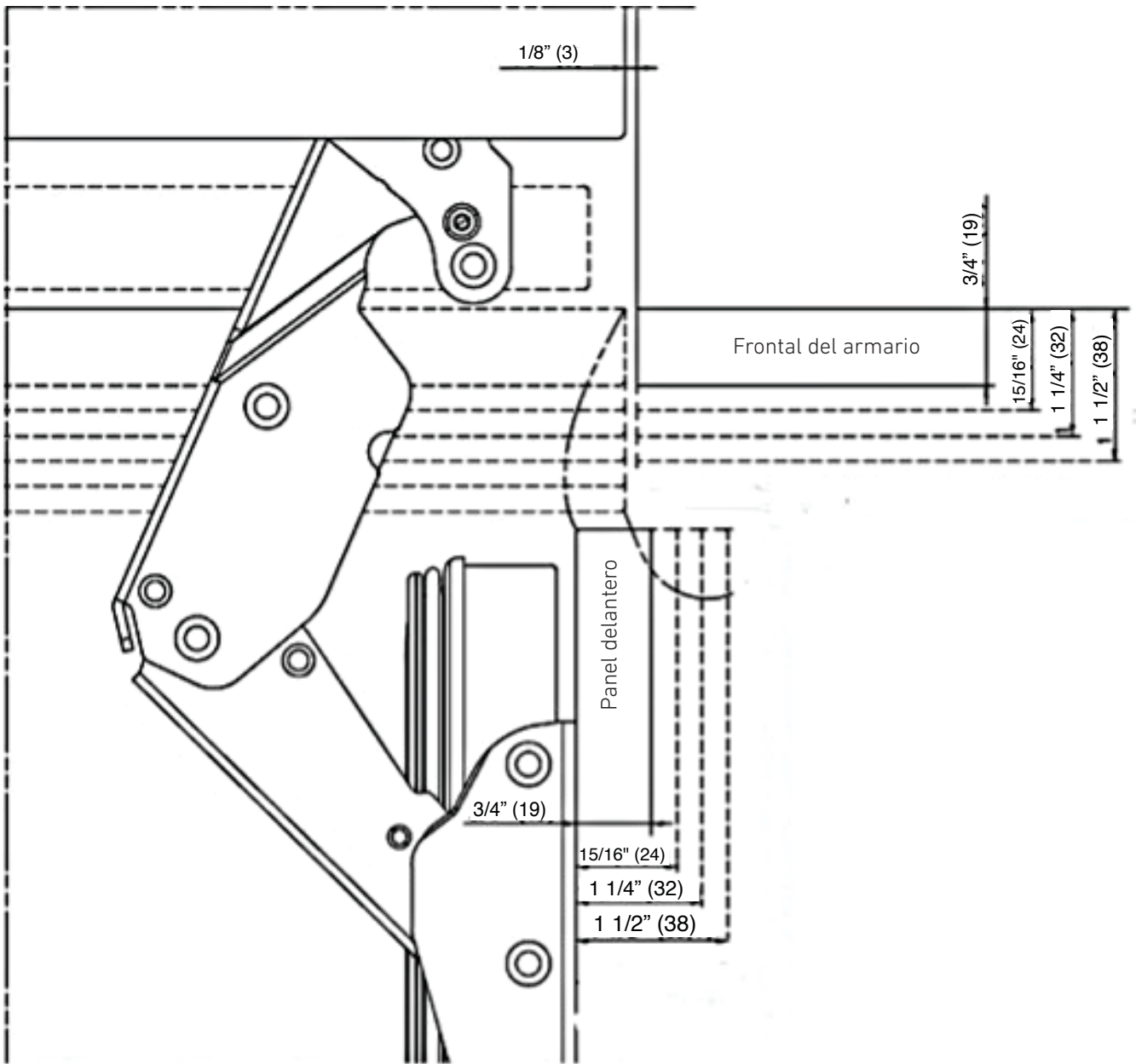
- La puerta de su refrigerador puede abrirse hasta 115° como máximo. Si desea que las puertas se abran hasta esta amplitud, puede elegir entre los grosores mostrados en la imagen superior para todos los refrigeradores de montaje inferior de 2 puertas. Para el montaje inferior de la puerta francesa de 3 puertas, el único grosor disponible es de 3/4 pulg. (19 mm).



ADVERTENCIA:

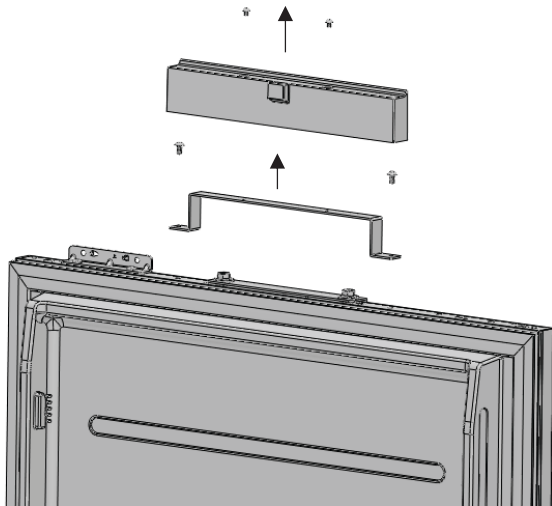
Si el grosor de la puerta es superior a 1 1/2 pulg. (38 mm), la puerta no debe abrirse más de 90°. Debe utilizar un pasador limitador en la bisagra.

Con la unidad se suministra un pasador limitador (n.º 6) para evitar que la puerta se abra más de 90° en caso necesario; puede instalarse en la bisagra. Las tolerancias de grosor de la puerta cuando se utiliza el pasador limitador se muestran en el diagrama siguiente.



RETIRADA DE LAS CUBIERTAS DEL MECANISMO DEL PANEL SUPERPUESTO

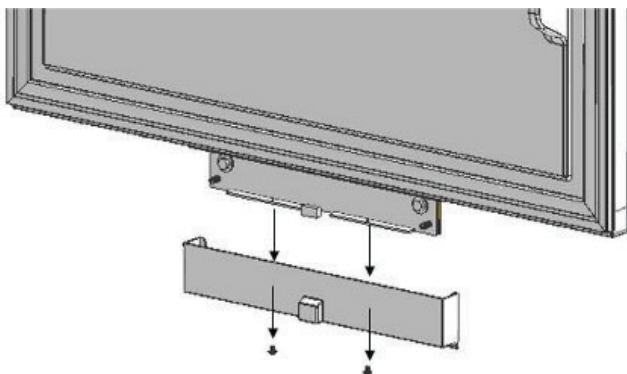
- Retire los tornillos superiores para quitar la cubierta superior.



! ADVERTENCIA:

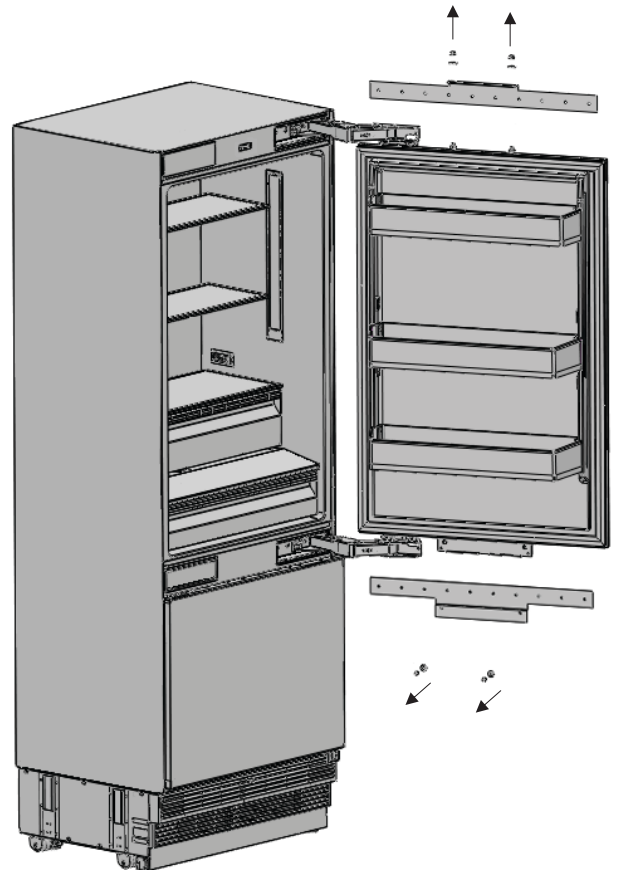
Hay un imán en el soporte para colgar la puerta de cubierta. Se trata de un componente para el funcionamiento del producto, ya que activa el interruptor de láminas de la puerta abierta. Asegúrese de que las cubiertas no se intercambian; vuelva a colocar cada una en el mismo soporte del que las retiró. El imán no debe conmutarse con la cubierta inferior.

- Retire los dos tornillos para quitar el soporte de suspensión de la puerta para la cubierta del mecanismo inferior.



DESMONTAJE DE LOS SOPORTES DEL PANEL

- Retire los soportes de montaje superior e inferior del panel regulable de los mecanismos de ajuste del panel de la puerta del refrigerador, como se muestra a continuación.



- Retire las cubiertas de los mecanismos de ajuste del panel de la parte inferior de la puerta del congelador junto con los soportes de montaje del panel.

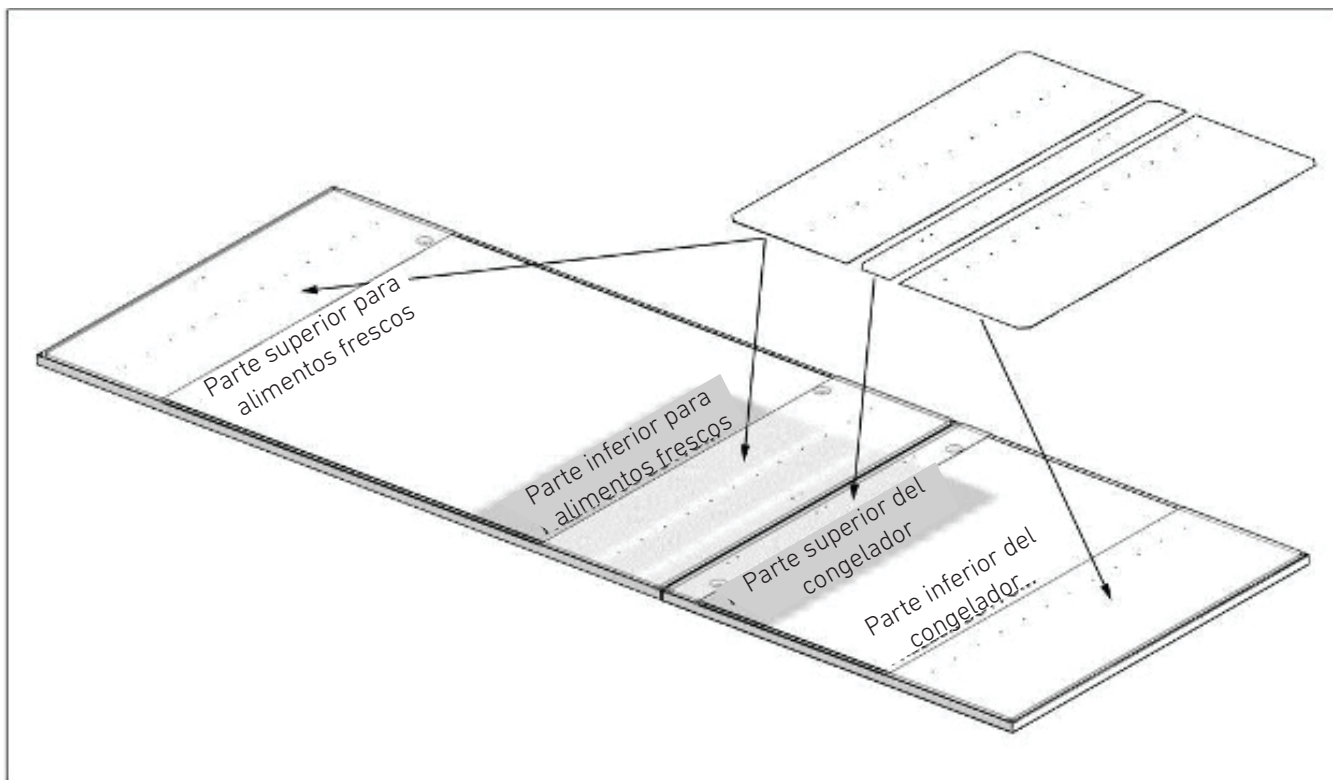


PREPARACIÓN DE LOS PANELES SUPERPUESTOS



NOTA:

Es aconsejable tener en cuenta las dimensiones de ambos paneles y el lugar de montaje a la hora de disponer los soportes en los paneles superpuestos (puerta del armario). A la hora de marcar, puede utilizar la plantilla de preparación del panel de la puerta/cajón (n.º 1) que se suministra con el producto.



ADVERTENCIA:

Los orificios de montaje de los tiradores deberán ajustarse en función de los tiradores que se vayan a utilizar en el diseño de la cocina.



ADVERTENCIA:

El grosor mínimo de la puerta debe ser de 3/4 pulg. (19 mm).



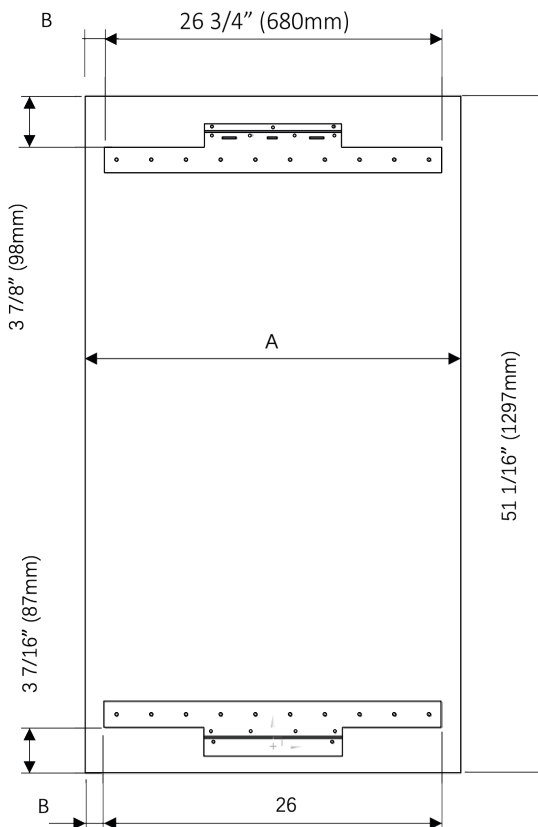
ADVERTENCIA:

En la puerta francesa de montaje inferior modelo REF36FDBZPNV/24 solo se pueden montar paneles con un grosor de hasta 3/4 pulg. (19 mm).

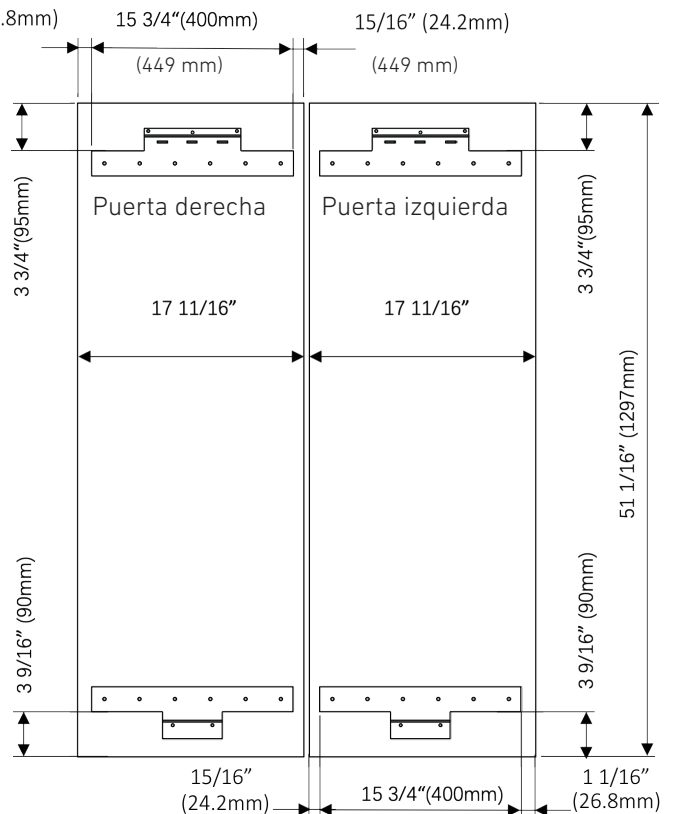
PREPARACIÓN DEL PANEL DE LA PUERTA DEL REFRIGERADOR

Categoría	Soporte inferior empotrado de 30 pulg.	Soporte inferior empotrado de 36 pulg.
A	29 3/4" (756 mm)	35 3/4" (908 mm)
B	1 1/2" (38 mm)	4 1/2" (114 mm)

SOPORTE INFERIOR EMPOTRADO DE 30 Y 36 PULG.



PUERTA FRANCESA EMPOTRADA DE 36 PULG.

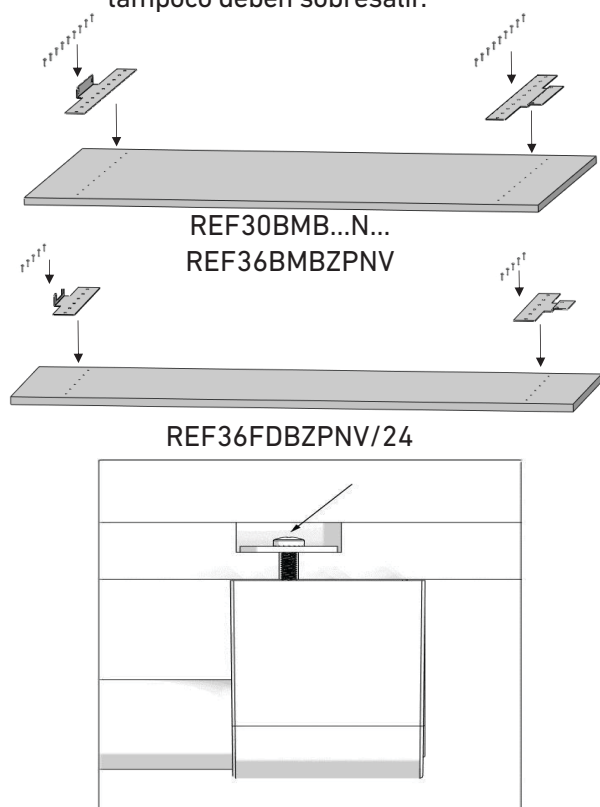


ADVERTENCIA:

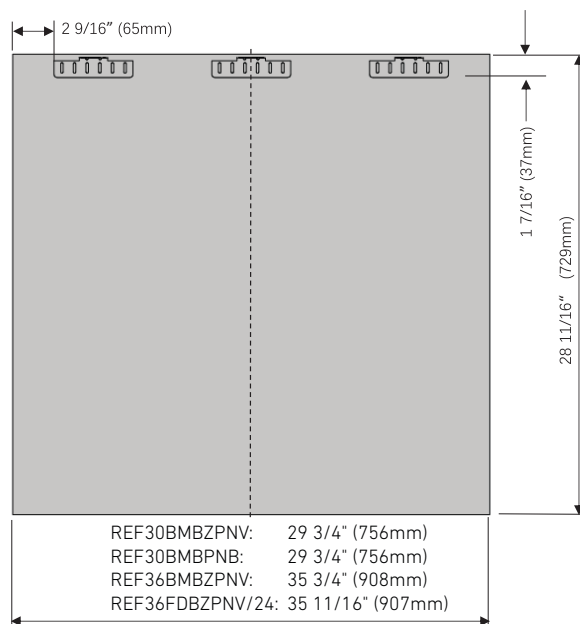
- Para evitar daños en la superficie acabada del panel, utilice tornillos adecuados al grosor del panel de la puerta.
- Instale los soportes del panel con los tornillos (n.º 18). También puede utilizar la plantilla suministrada (n.º 1) con el producto para

alinear estas piezas. Se recomienda conservar esta plantilla para futuras consultas.

- La hoja de suspensión de la puerta del refrigerador y el conjunto del mecanismo superior deben estar en la parte superior de la puerta.
- Fije el tirador de la puerta al panel superior de la puerta antes de instalar el panel en el refrigerador. Utilice herrajes para tiradores que garanticen una conexión segura con el panel y que queden al ras o, en cualquier caso, que no sobresalgan de la parte posterior del panel superpuesto. Para ello puede ser necesario avellanar los herrajes del tirador en la parte posterior del panel, como se muestra a continuación. Los tornillos de montaje del tirador de la puerta tampoco deben sobresalir.



PREPARACIÓN DEL PANEL DEL CAJÓN CONGELADOR



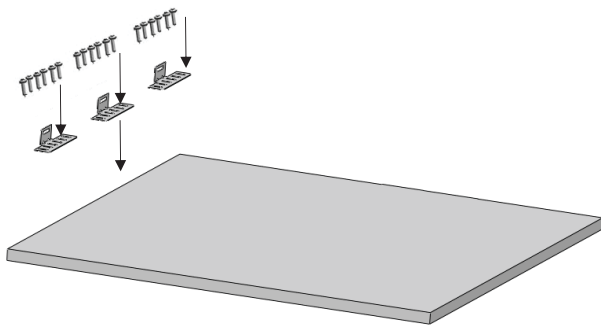
! ADVERTENCIA:
Los orificios de montaje de los tiradores deberán ajustarse en función de los tiradores que se vayan a utilizar en el diseño de la cocina.

! ADVERTENCIA:
El grosor mínimo de la puerta debe ser de 3/4 pulg. (19 mm).

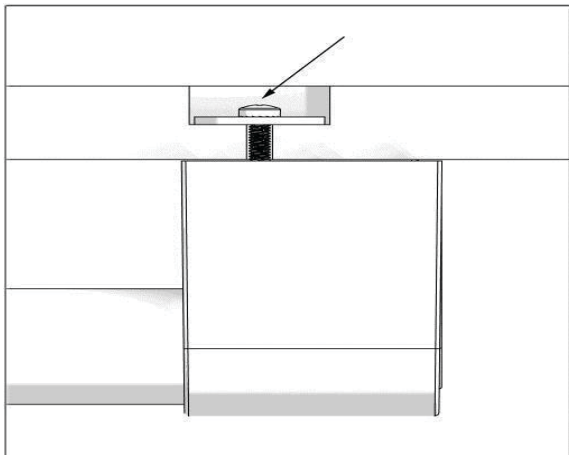
! ADVERTENCIA:
En la puerta francesa de montaje inferior modelo REF36FDBZPNV/24 solo se pueden montar paneles con un grosor de hasta 3/4 pulg. (19 mm).

! ADVERTENCIA:
Para evitar daños en la superficie acabada del panel, utilice tornillos adecuados al grosor de la puerta.

- Fije los 3 soportes metálicos en "L" para colgar la puerta del congelador (n.º 9) utilizando 6 tornillos (n.º 10) y 1 tornillo (n.º 8) para cada uno.

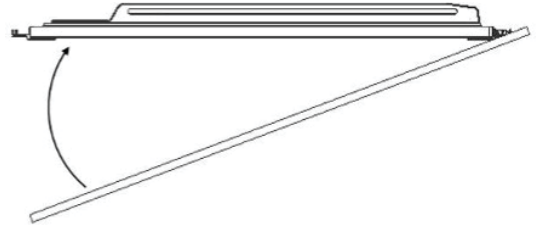


- Fije el tirador de la puerta al panel antes de instalar el panel en el congelador. Utilice herrajes para tiradores que garanticen una conexión segura con el panel y que queden al ras o, en cualquier caso, que no sobresalgan de la parte posterior del panel superpuesto. Para ello puede ser necesario avellanar los herrajes del tirador en la parte posterior del panel. Los tornillos de montaje del tirador de la puerta tampoco deben sobresalir.



INSTALACIÓN DEL PANEL DE LA PUERTA DEL REFRIGERADOR

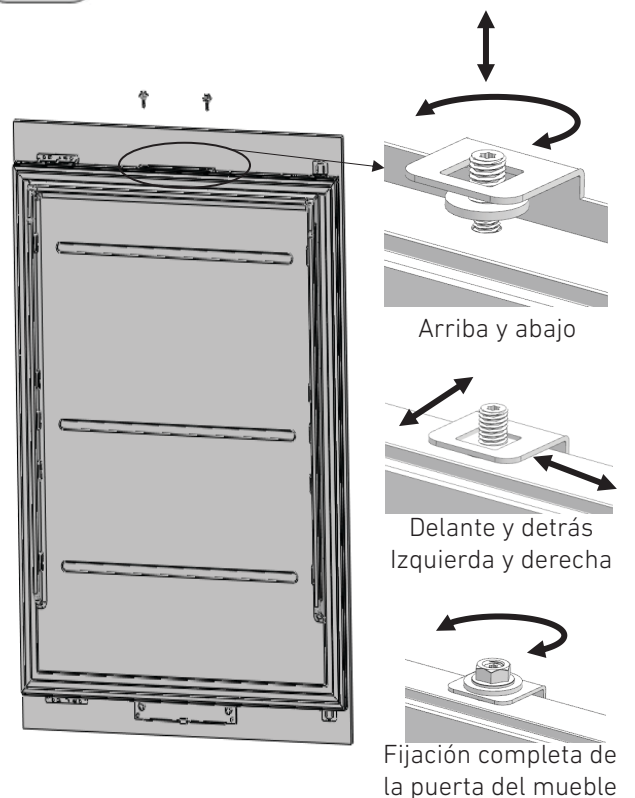
1. Fije la puerta del armario a la puerta del refrigerador.



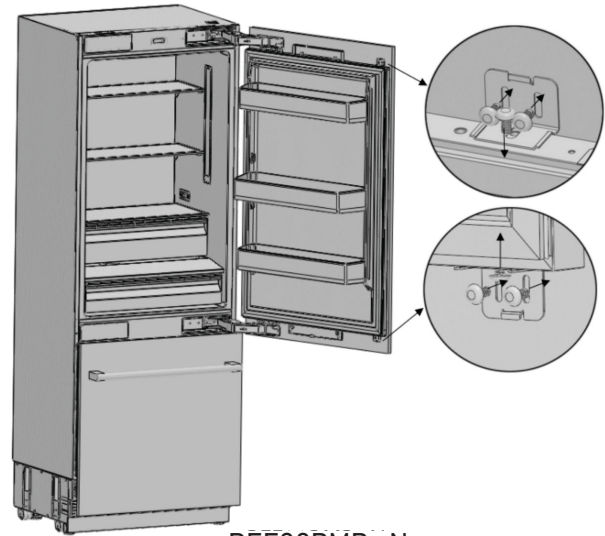
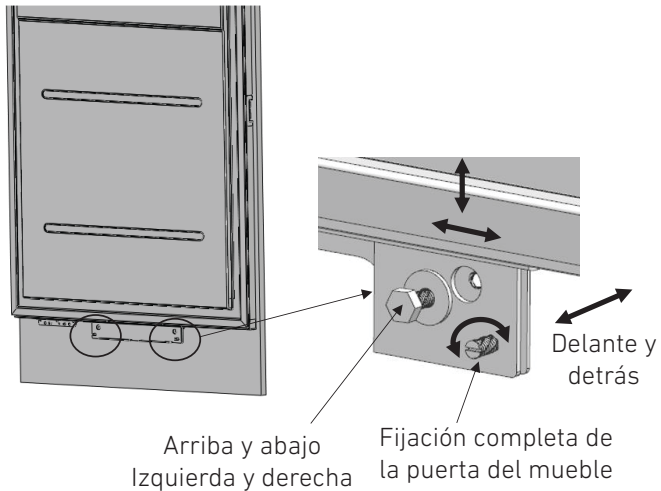
CÓMO ALINEAR LA PUERTA DEL REFRIGERADOR CON PERNOS.

La posición de las puertas para muebles con respecto al mobiliario de la cocina debe estar enrasada. Para ello, debe regular la dirección 3D mediante dos pernos de fijación para realizar ajustes finos. En primer lugar, revise la posición de las puertas para muebles agrupadas frente al mobiliario de la cocina. Las distancias entre los muebles deben ser de 1/8 pulg. (3 mm), suponiendo que las dimensiones de los muebles sean correctas. Puede realizar ajustes en la puerta en función de esta distancia.

- Cómo alinear la parte superior de la puerta del mueble con pernos.



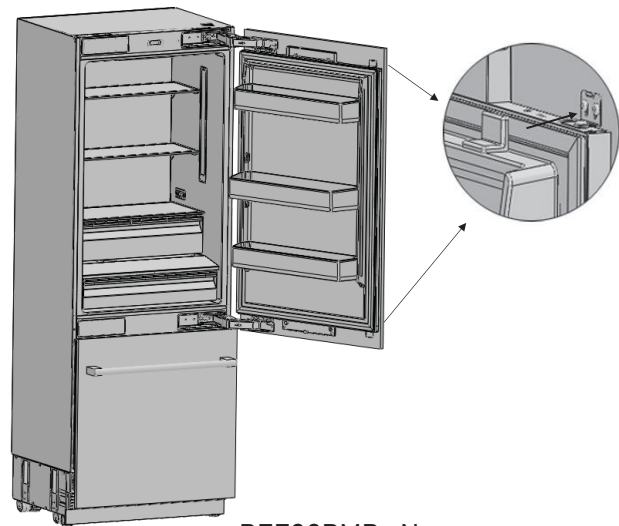
- Cómo alinear la parte inferior de la puerta del mueble con los pernos.



REF30BMB...N...
REF36BMBZPNV

- Utilice el soporte de conexión puerta-mueble (punto n.º 16) para unir la puerta del mueble
- Utilice 1 tornillo de soporte de fijación de la puerta (punto n.º 15) para fijar en la puerta.
- Utilice 2 tornillos (punto n.º 17) para fijar en la puerta del mueble

- Enganche el soporte de puerta del mueble de cubierta (punto n.º 14).



REF30BMB...N...
REF36BMBZPNV

3. INSTRUCCIONES DE INSTALACIÓN

ES

- Coloque y atornille la cubierta decorativa superior/inferior.



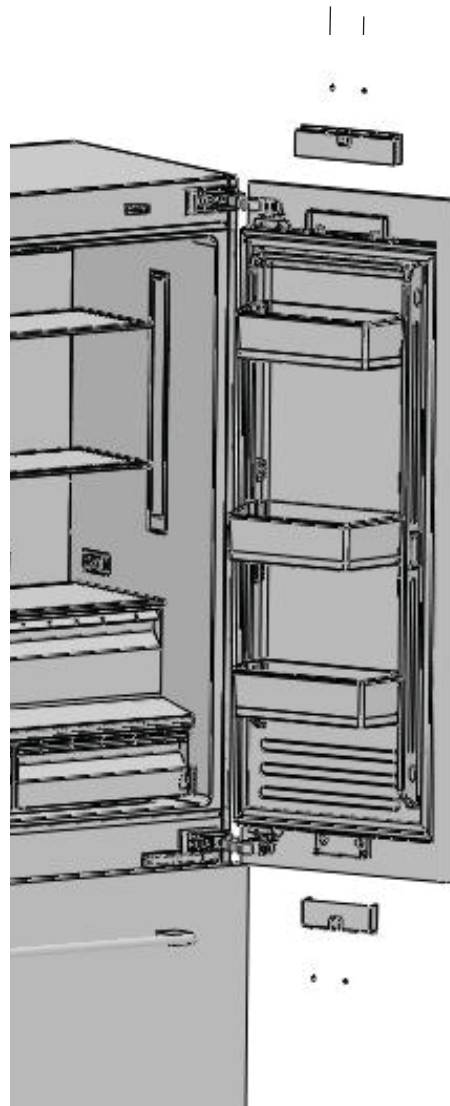
REF30BMB...N...
REF36BMBZPNV

! **ADVERTENCIA:**
Hay un imán en el soporte colgador de la puerta de cubierta.

! **ADVERTENCIA:**
Se trata de una pieza funcional para el uso del producto.

! **ADVERTENCIA:**
No debe confundirse con la cubierta inferior.

- Coloque y atornille la cubierta decorativa superior/inferior.



REF36FDBZPNV/24

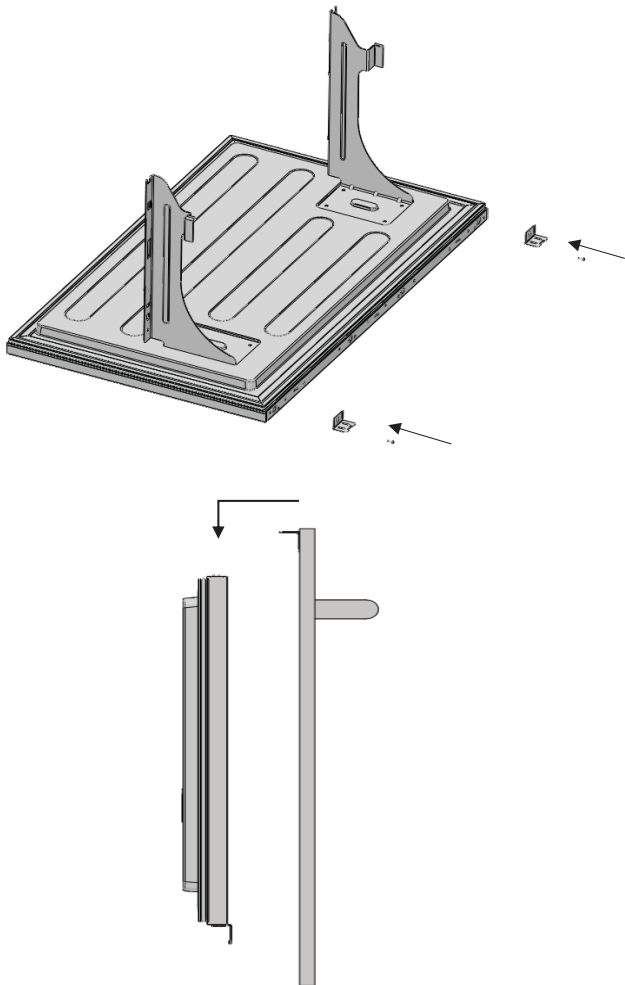
! **ADVERTENCIA:**
Hay un imán en el soporte colgador de la puerta de cubierta.

! **ADVERTENCIA:**
Se trata de una pieza funcional para el uso del producto.

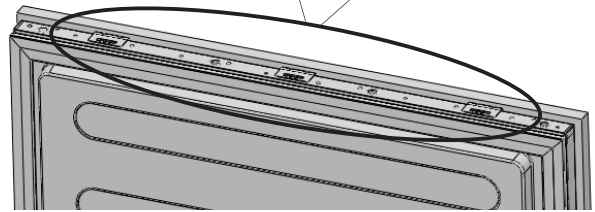
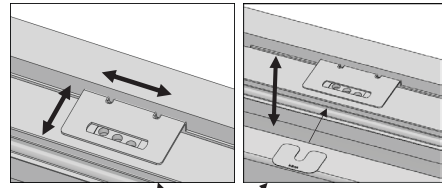
! **ADVERTENCIA:**
No debe confundirse con la cubierta inferior.

INSTALACIÓN DE LA PUERTA DEL MUEBLE DEL CONGELADOR

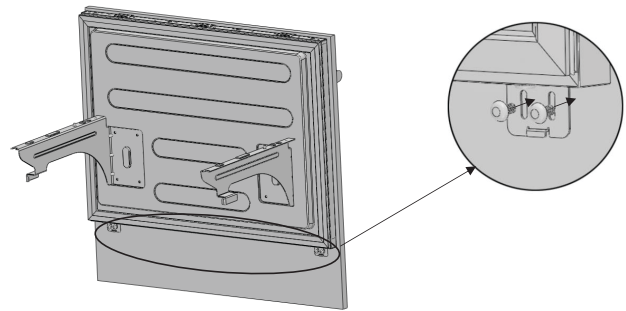
- Fije el soporte de conexión puerta-mueble (punto n.º 16) en la parte inferior de la puerta con el soporte de fijación de la puerta atornillado (punto n.º 15).



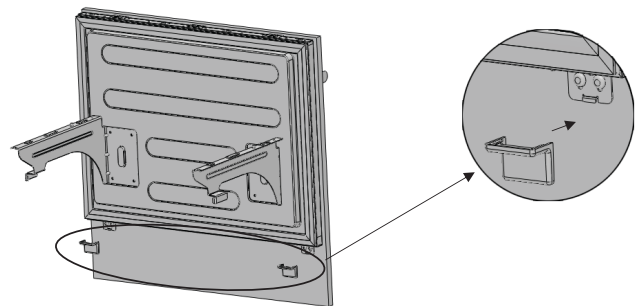
- Alinee la puerta del mueble del cajón congelador con la arandela de ajuste (n.º 7).



- Utilice 2 tornillos (punto n.º 17) para fijar en la puerta del mueble.



- Enganche el soporte de puerta del mueble de cubierta (punto n.º 14).



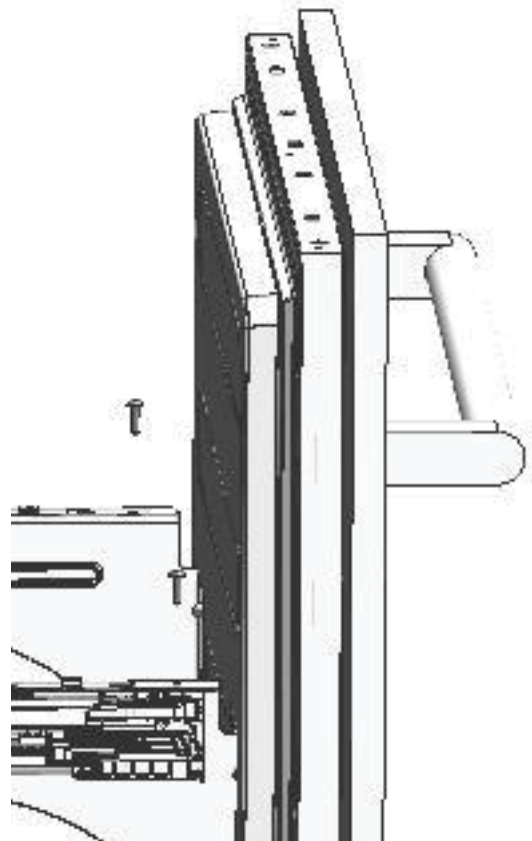
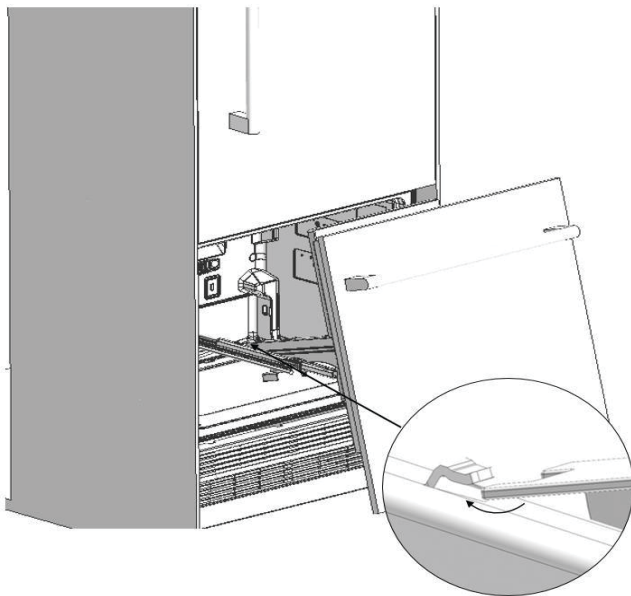


ADVERTENCIA:

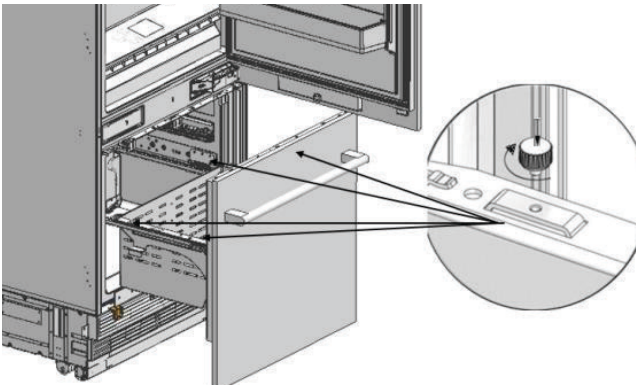
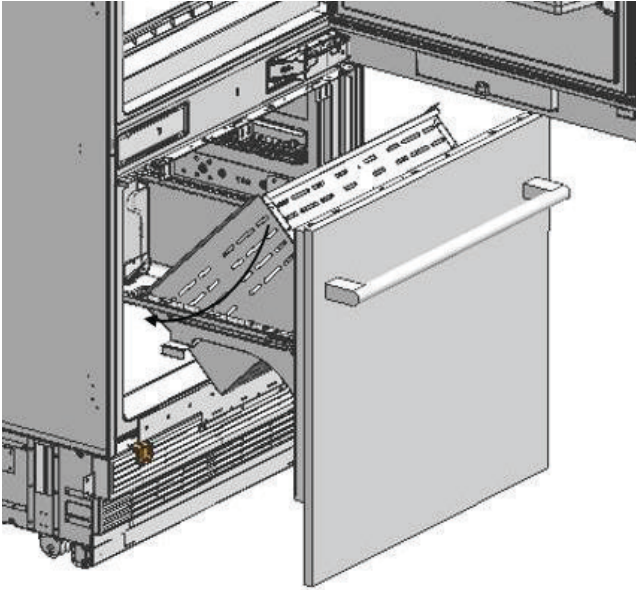
Debe guardar estas piezas para utilizarlas en el futuro. Las necesitará si quiere cambiar las direcciones de la puerta.

- Instale el conjunto de la puerta del mueble del congelador en los carriles.

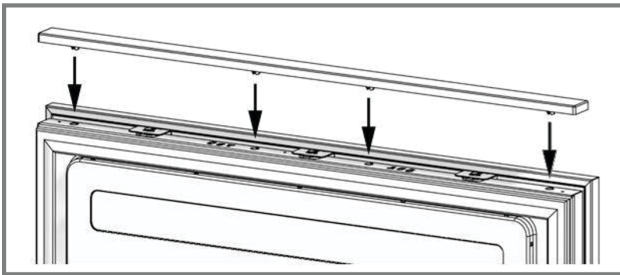
- Fije el conjunto de la puerta del mueble del congelador a los carriles con 2 tornillos.



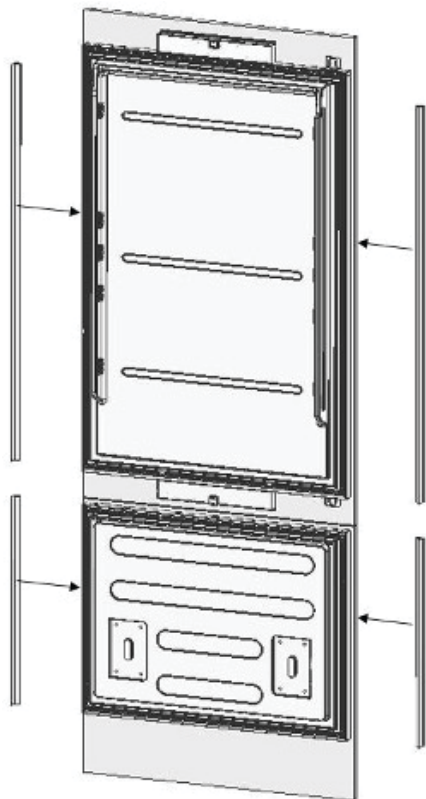
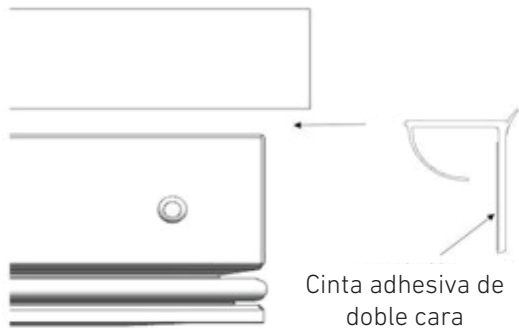
- Coloque el cajón en el carril y apriete los tornillos.



- Fije la parte superior de la puerta de congelación (punto n.º 5) utilizando las lengüetas.



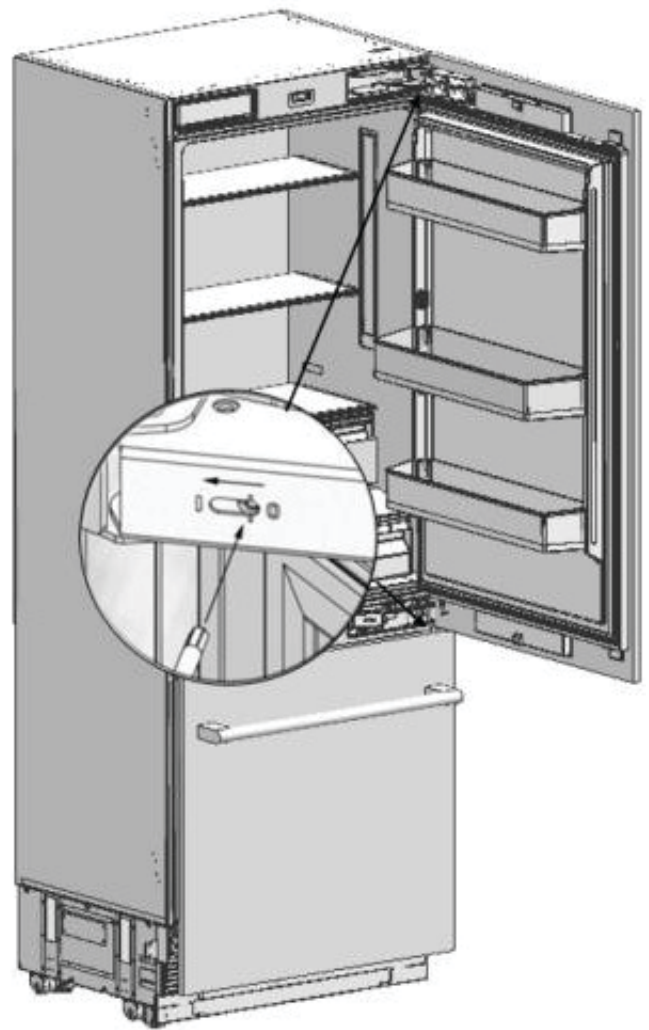
- Coloque las juntas de los embellecedores laterales (n.º 2) y (n.º 3). Nota: es posible que sea necesario recortar los embellecedores laterales si el hueco es demasiado pequeño para permitir que se introduzcan; puede que sea necesario hacer algo de fuerza. Retire la película protectora de la cinta adhesiva de doble cara para fijar el embellecedor a la cara frontal del armario del refrigerador.



3.6 Ajuste de las bisagras e inversión del giro de la puerta

AJUSTE DE LA TENSIÓN DEL MUELLE DE LAS BISAGRAS

- Utilice un taladro para ajustar la tensión de las bisagras superior e inferior de la puerta del refrigerador. Coloque el tornillo de ajuste de la bisagra en la posición «I» desde la posición «O».

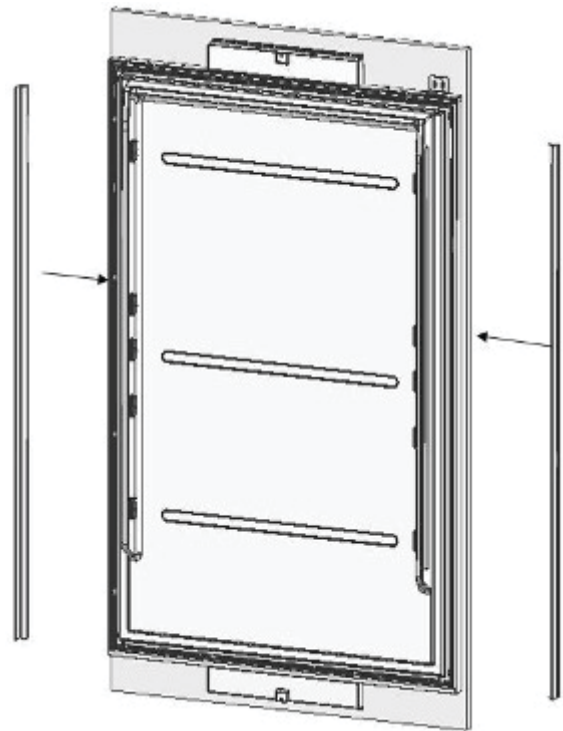
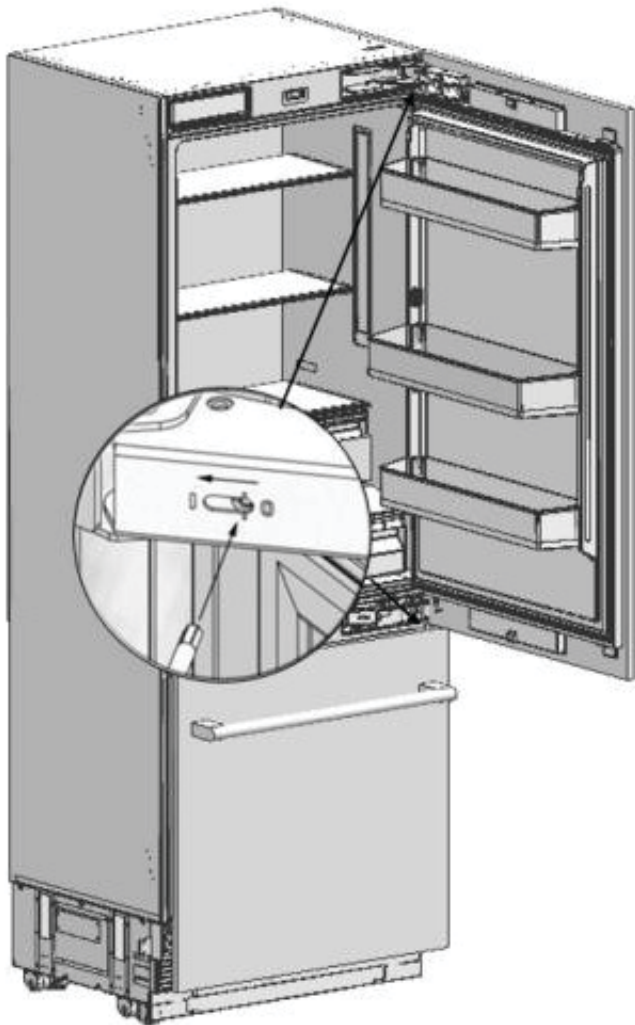


! **ADVERTENCIA:**
La puerta debe estar completamente abierta durante este ajuste.

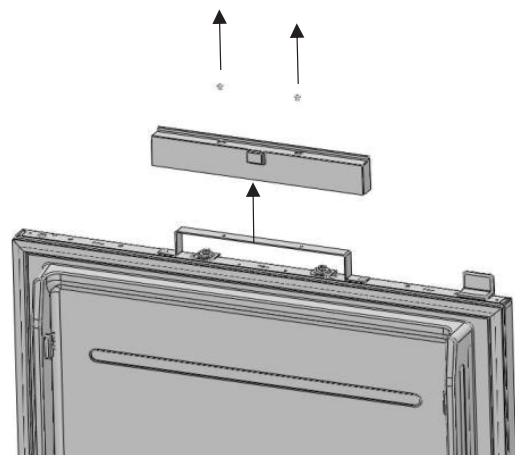
! **ADVERTENCIA:**
El ajuste de la tensión de las bisagras debe realizarse solo después de haber ajustado el panel de la puerta.

INVERTIR EL GIRO DE LA PUERTA

- Ajuste el nivel de tensión de la bisagra a «0».



- Afloje los 2 tornillos de la cubierta superior de la puerta del refrigerador y retírela.
- Retire los kits de ajuste superior.



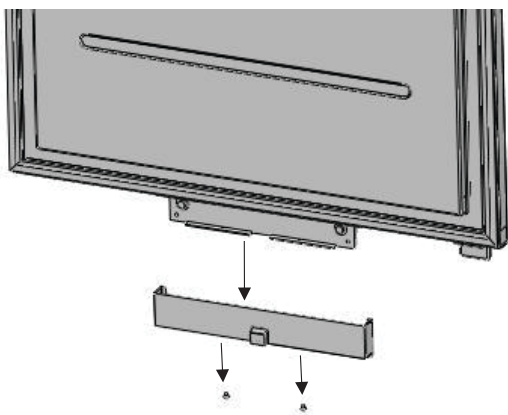
- Afloje los 2 tornillos de la cubierta inferior de la puerta del refrigerador y retírela.



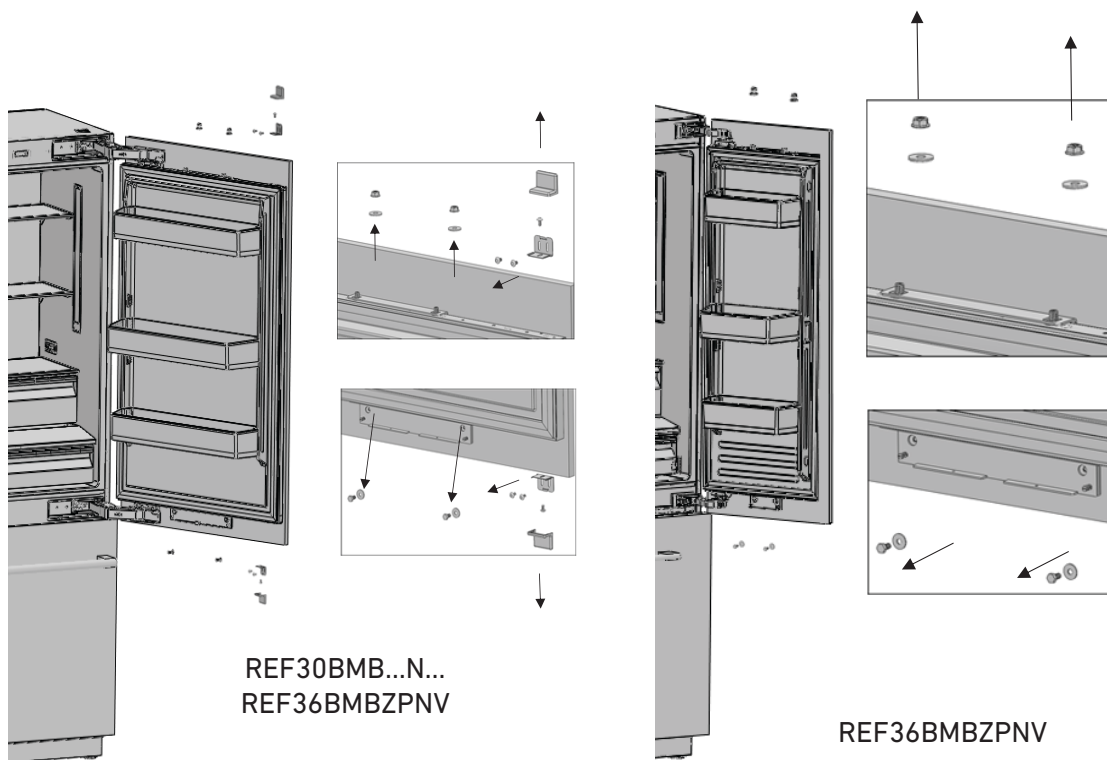
PRECAUCIÓN:

Si no coloca la bisagra en «0» antes de continuar con la instalación, puede sufrir lesiones.

- Retire las juntas de cierre laterales.



- Retire los tornillos de los soportes inferior y superior del refrigerador.



- Retire el tornillo del mecanismo superior y del inferior del refrigerador.



ADVERTENCIA:

El panel de la puerta del refrigerador se soltará al retirar estos tornillos.
 Debe tomar medidas para evitar que la puerta se caiga.
 Puede encintar la puerta del armario a la puerta interior o pedir ayuda a otra persona.

- Retire la puerta del refrigerador y colóquela boca abajo sobre la superficie de una mesa.
- Debe fijar la puerta del armario girándola 180° con respecto a su posición actual.

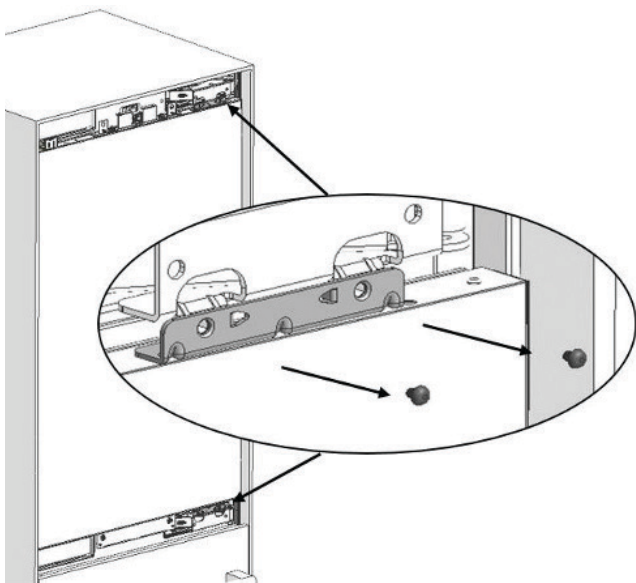
- Retire los tornillos de conexión de los soportes de las bisagras.



PRECAUCIÓN:

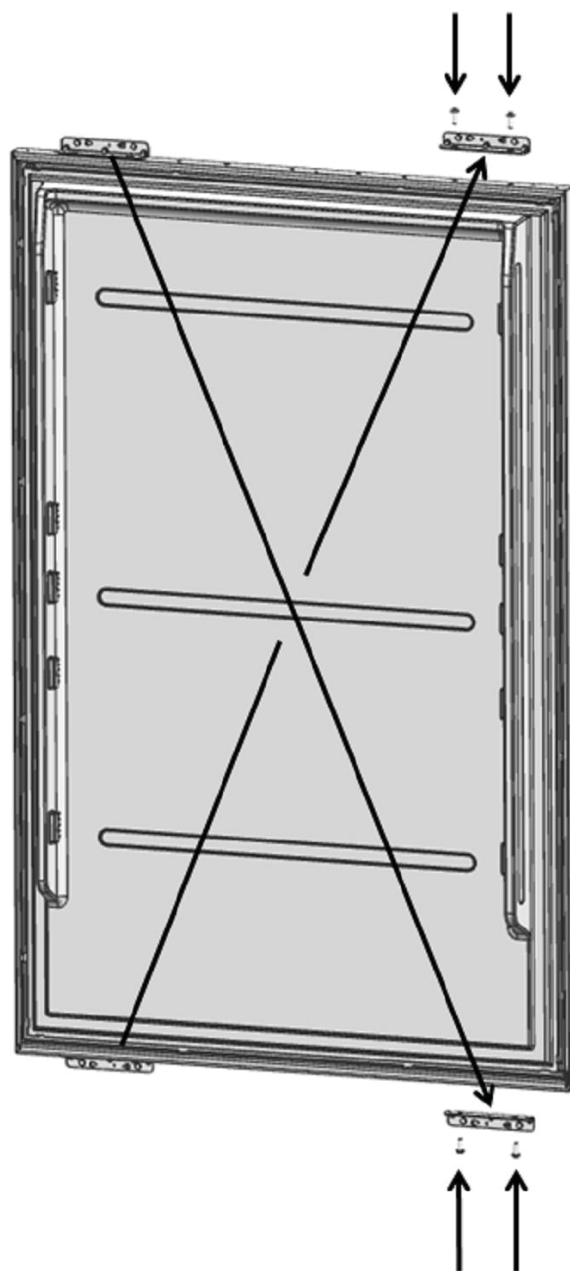
La puerta se soltará cuando se retiren estos tornillos. Debe tomar medidas para evitar que la puerta se caiga.

Puede encintar la puerta del armario a la puerta interior o pedir ayuda a otra persona.



- Retire la puerta del refrigerador y colóquela sobre la superficie de una mesa, después retire los componentes de montaje y atorníllelos al lado opuesto de la puerta.

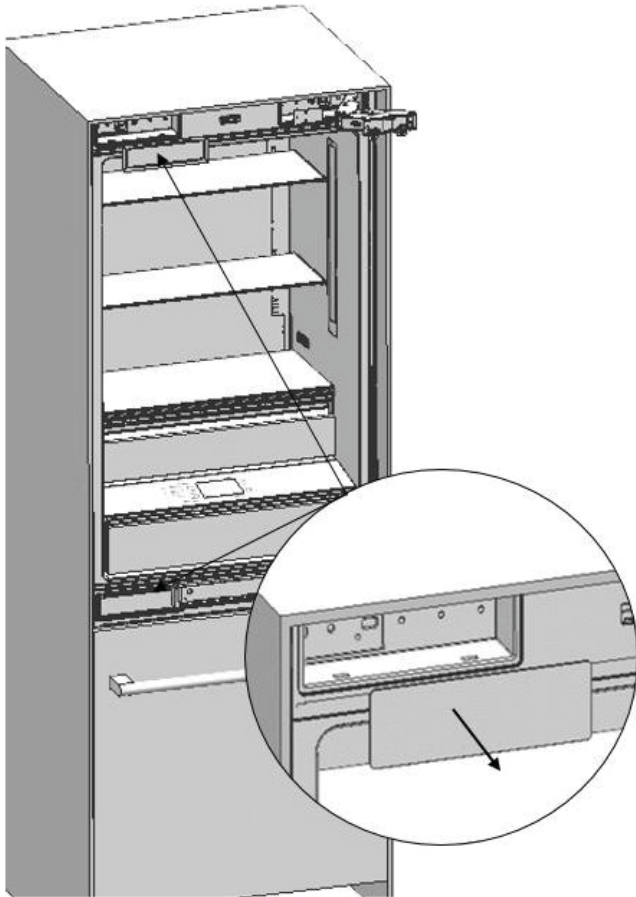
- Utilice 2 tornillos para fijar la chapa de suspensión.



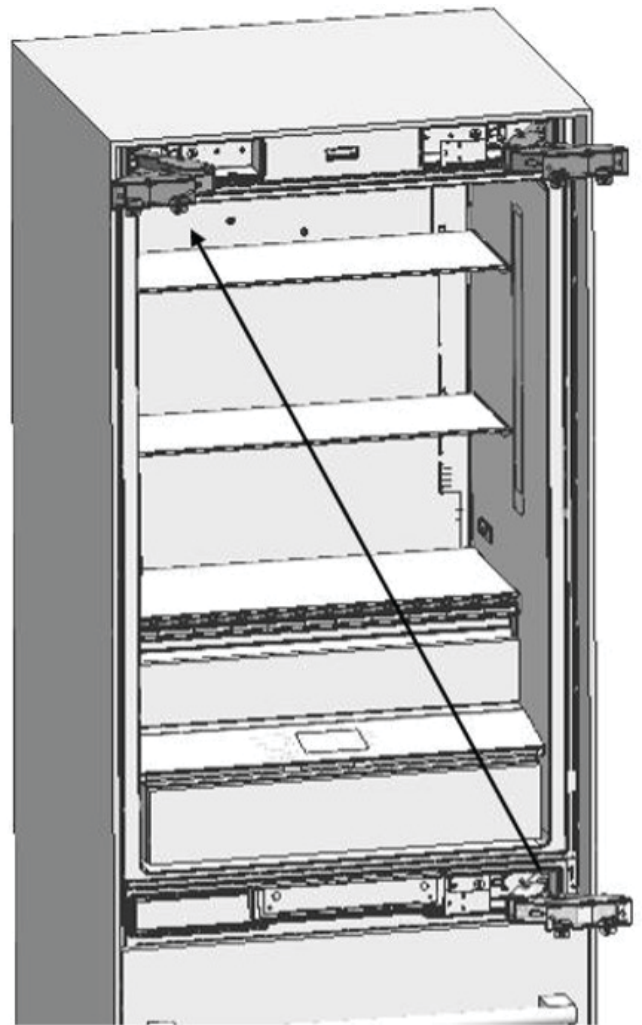
3. INSTRUCCIONES DE INSTALACIÓN

ES

- Retire las tapas de las bisagras situadas en el otro lado, donde montará las bisagras.
- Retire la tapa de los tornillos y los tornillos que sujetan las bisagras.

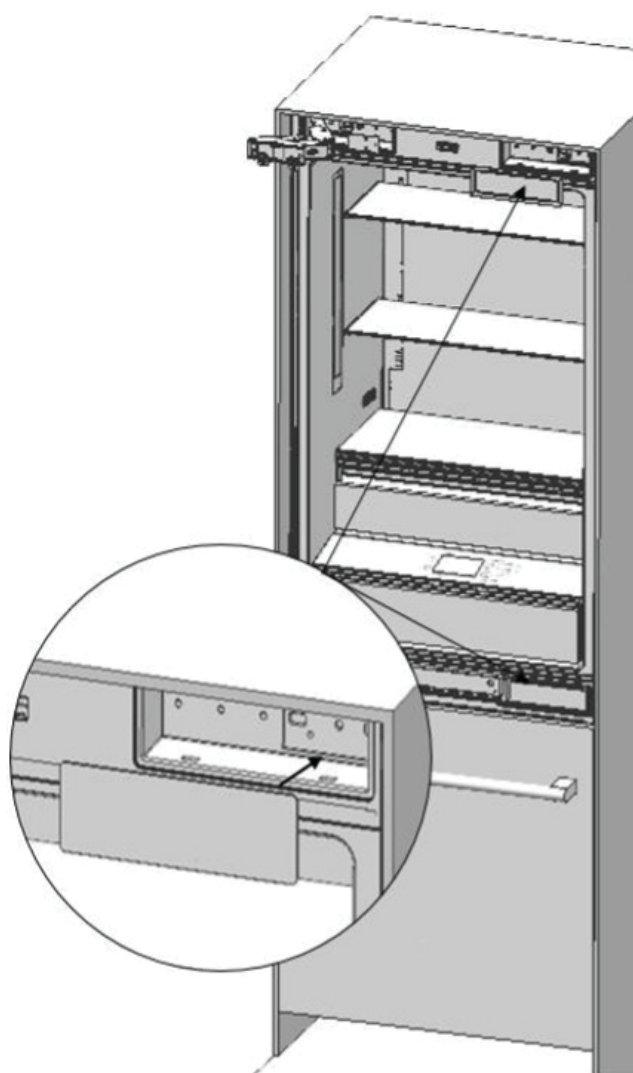
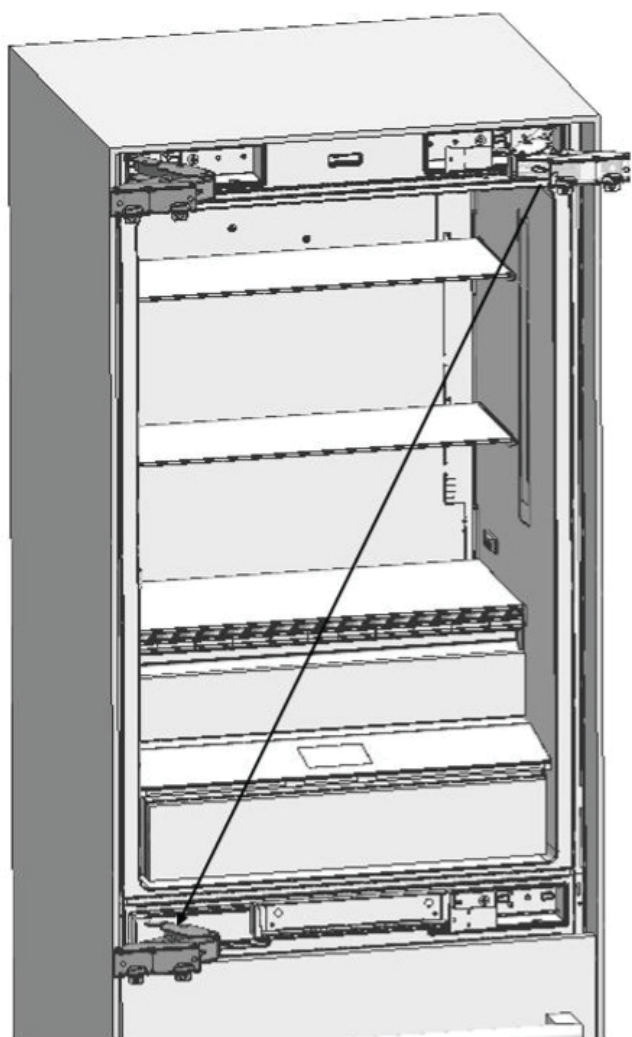


- Retire la bisagra inferior derecha aflojando sus 2 tornillos y móntela en su ranura de la parte superior izquierda.



- Retire la bisagra superior derecha aflojando sus 2 tornillos y móntela en su ranura de la parte inferior izquierda.

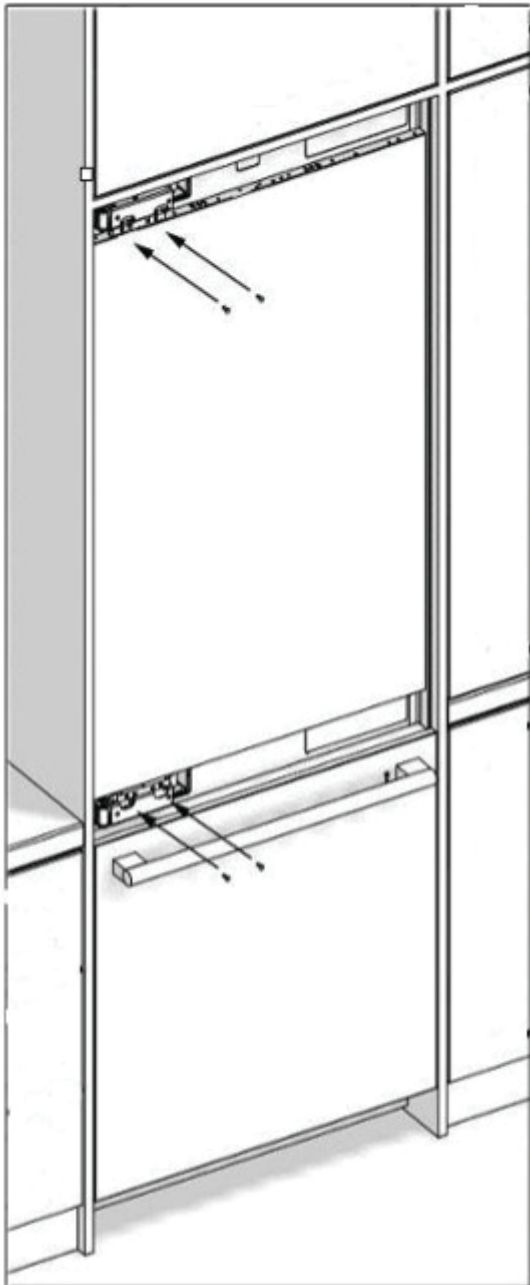




- Vuelva a colocar en su sitio los tapones de rosca decorativos de las bisagras.
- Vuelva a colocar la cubierta de bolsillo de la bisagra en el lado opuesto, donde se retiraron las bisagras.

3. INSTRUCCIONES DE INSTALACIÓN

- Coloque la puerta interior en el refrigerador utilizando la junta de la puerta para ayudar a mantenerla en su sitio y fíjela de nuevo en las bisagras utilizando 4 tornillos.



1. INFORMATIONS IMPORTANTES.....	109
1.1 Symboles et signification	109
1.2 Mise au rebut des matériaux d'emballage	109
1.3 Classe climatique	110
1.4 Poids du produit.....	110
1.5 Capacité de chargement des portes du réfrigérateur.....	110
2. AVANT D'INSTALLER L'APPAREIL	111
2.1 Lieu d'installation	111
2.2 Armoire.....	112
2.3 Ventilation	112
2.4 Raccordement électrique.....	112
2.5 Raccordement à la ligne d'alimentation en eau (le cas échéant)	112
2.6 Liste de l'outillage	112
2.7 Solutions alternatives pour l'installation	113
2.8 Préparation avant de procéder à l'installation	113
2.9 Emplacement du câblage électrique.....	114
2.10 Emplacement du système d'alimentation en eau.....	115
2.11 Dimensions du produit et du panel.....	116
2.12 Déballage.....	124
2.13 Retrait des connecteurs sur la paroi latérale de l'unité.....	125
2.14 Retrait du matériel d'installation du compartiment congélateur	126
2.15 Retrait du tiroir du congélateur	127
2.16 Retrait de la porte du congélateur	127
2.17 Retrait des couvercles inférieur et supérieur des grilles de ventilation.....	128
3. INSTRUCTIONS D'INSTALLATION	129
3.1 Avant d'installer le produit.....	129
3.2 Montage des brides anti-basculement	129
3.3 Préparation du tuyau d'eau et du raccordement électrique.....	132
3.4 Installation dans l'armoire.....	132
3.5 Installation et préparation des panneaux de recouvrement	139
3.6 Réglage de la charnière et inversion du sens d'ouverture de la porte	152

1.1 Symboles et signification

Les symboles utilisés dans le manuel d'installation sont les suivants.



Remarque

Informations importantes ou conseils utiles pour l'utilisation



Avertissement

Conditions susceptibles d'endommager le produit ou de nuire à son fonctionnement



Mise en garde

Situations comportant un risque important de blessure

1.2 Mise au rebut des matériaux d'emballage

Les matériaux d'emballage ont été conçus pour protéger le produit pendant le transport.

Les matériaux d'emballage utilisés pour le produit ne sont pas nocifs pour l'environnement lorsqu'ils sont éliminés, et ils doivent être recyclés.

Tous les matériaux d'emballage en plastique, sacs, etc. doivent être éliminés en toute sécurité et tenus hors de la portée des enfants.

Veuillez retourner les matériaux d'emballage à votre revendeur.



AVERTISSEMENT :

Ce manuel d'installation est destiné à aider les équipes chargées de l'installation. Le manuel d'utilisation fourni avec le produit doit également être pris en compte.

Vous risquez d'être gravement blessé et votre produit endommagé si vous ignorez les avertissements fournis dans le présent manuel. Veuillez lire attentivement ce qui suit.



AVERTISSEMENT :

Réfrigérant R600a

Ce produit contient du réfrigérant isobutane R600a, un gaz naturel très écologique. Cependant, il est également inflammable. Veuillez tenir compte des avertissements ci-dessous :

- Si le produit a été transporté horizontalement, vous devez attendre un minimum de 4 heures avant de le brancher.

- Les instructions suivantes doivent être suivies lors de l'installation :
- Les dimensions de la zone d'installation doivent être appropriées.
- Les dimensions, les caractéristiques et la position de l'objet utilisé pour soutenir et fixer le produit dans ladite zone doivent être appropriées.
- Les distances minimales entre les éléments du produit et les structures adjacentes doivent être suffisantes.
- Les dimensions minimales et le positionnement correct des orifices de ventilation doivent être respectés.
- Le produit doit être connecté à un circuit dédié non protégé par un dispositif GFCI, et être raccordé à une conduite d'eau appropriée (pour les modèles avec machine à glaçons et distributeur d'eau).
- Le produit doit pouvoir être déconnecté de l'alimentation électrique après l'installation.
- La prise ou le fusible doit être accessible, afin de pouvoir couper l'alimentation du produit.
- Les rallonges électriques et les adaptateurs non mis à la terre (à deux broches) ne peuvent pas être utilisés.



MISE EN GARDE :

Munissez-vous de gants et de lunettes de protection lors de l'installation du produit. Vous devez également porter des protections auditives lorsque vous utilisez une perceuse ou des outils similaires.



MISE EN GARDE :

Assurez-vous que le circuit électrique est adapté au produit.



MISE EN GARDE :

Le produit doit être installé par un technicien qualifié conformément aux instructions d'installation.



AVERTISSEMENT :

Le produit peut basculer, car il est assez lourd. Des précautions doivent être prises pour éviter que cela ne se produise.

Les portes du produit doivent être maintenues fermées jusqu'à ce qu'il atteigne sa destination. Il doit être transporté de la manière décrite dans les instructions d'installation.

1. INFORMATIONS IMPORTANTES

1.3 Classe climatique

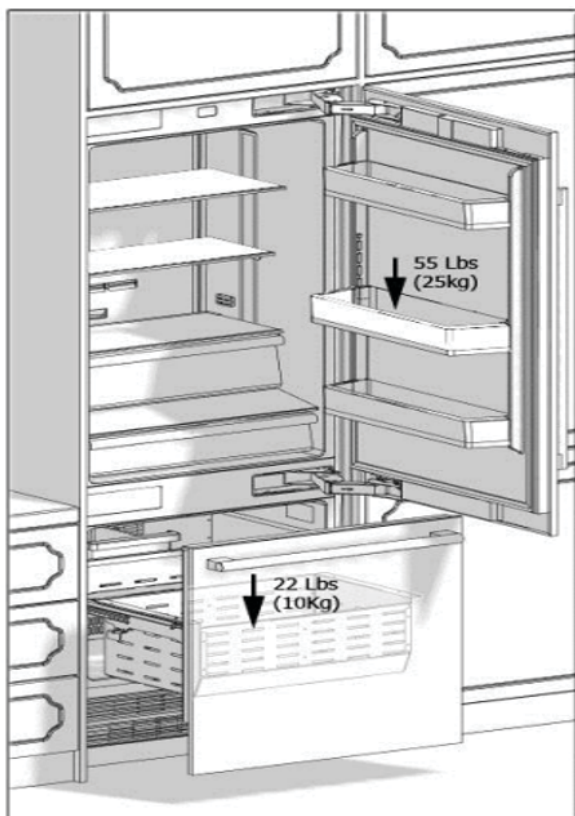
Plage climatique	Température ambiante de la pièce	Cet appareil a été conçu pour être utilisé dans certains climats spécifiques (plages de températures ambiantes). Il ne doit pas être utilisé en dehors de ces plages.
SN (tempérée élargie)	Entre +50°F (10°C) et +90°F (32°C)	
N (Tempérée)	Entre +60°F (16°C) et +90°F (32°C)	
ST (Subtropicale)	Entre +60°F (16°C) et +100°F (38°C)	
T (Tropicale)	Entre +60°F (16°C) et +110°F (43°C)	

1.4 Poids du produit

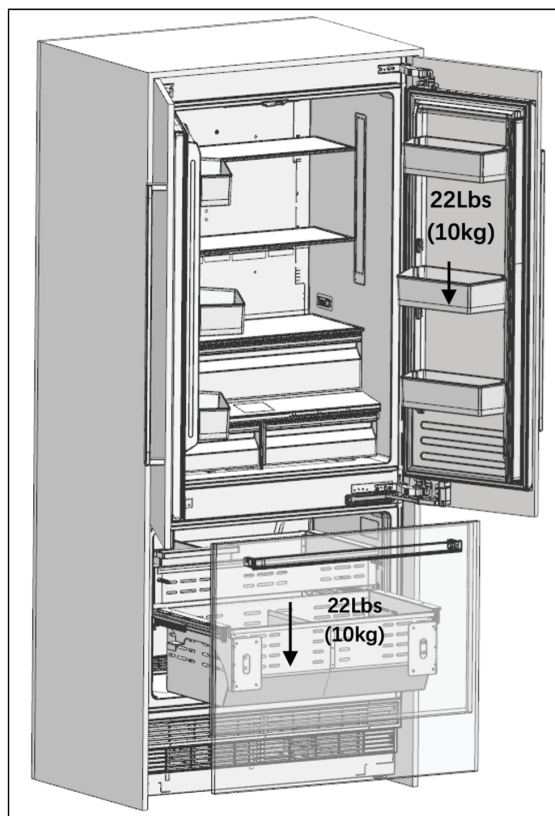
Catégorie	REF30BMBZPNV	REF30BMBPNB	REF36BMBZPNV	REF36FDBZPNV/24
Poids du produit	342 lbs (155 kg)	326 lbs (148 kg)	373 lbs (169 kg)	355 lbs (161 kg)

1.5 Capacité de chargement des portes du réfrigérateur

Charge maximale	REF30BMB...N...	REF36BMBZPNV	REF36FDBZPNV/24
Porte du réfrigérateur	55 lbs (25 kg)	55 lbs (25 kg)	22 lbs (10 kg)
Tiroir du congélateur	22 lbs (10 kg)	22 lbs (10 kg)	22 lbs (10 kg)



REF30BMB...N...
REF36BMBZPNV



REF36FDBZPNV/24

2.1 Lieu d'installation

Veillez suivre les instructions suivantes :

- > Le sol sur lequel le produit doit être installé doit pouvoir supporter un poids minimum de 1 200 livres (544 kg).
- > Le sol de la cuisine et le bas du produit doivent être de niveau l'un par rapport à l'autre. Sinon, des problèmes peuvent survenir au niveau de l'efficacité du flux d'air.
- > Aucun obstacle ne doit être présent à l'arrière et sur les côtés de l'emplacement choisi pour l'installation du produit.
- > La prise électrique doit être au bon endroit.
- > Les dimensions de l'armoire dans laquelle l'appareil sera installé doivent être strictement conformes aux dimensions spécifiées dans le manuel.
- > N'installez pas l'appareil à côté d'un autre réfrigérateur ou congélateur. Sinon, de la condensation et des dommages peuvent survenir. (Veillez consulter la section « Installation en armoire Double Réfrigérateur » pour obtenir des renseignements détaillés).
- > L'horizontalité du sol sur lequel doit être installé le produit doit être vérifiée à l'aide d'un niveau à bulle.
- > Le lieu d'installation ne doit pas être exposé à la lumière directe du soleil, et doit être éloigné des sources de chaleur, telles que four, radiateur, etc.
- > La température ambiante doit être située entre 50 °F (10 °C) et 110 °F (43 °C). Sinon, des dysfonctionnements peuvent se produire lorsque l'appareil est en service.
- > S'il n'est pas possible d'éviter d'installer le produit à proximité d'une source de chaleur, les distances minimales spécifiées ci-après doivent être respectées entre l'appareil et la source en question :
 - 1 1/4" (32 mm) des cuisinières ou fours électriques
 - 12" (305 mm) des cuisinières ou fours alimentés au gaz ou combustible

Veillez respecter les règles suivantes :

- > La prise ou le tableau électrique doit être facilement accessible en cas d'urgence, et ne doit pas être dissimulé derrière le produit.
 - > Ni la fiche ni le câble ne doivent toucher la surface arrière de l'appareil, sous peine d'être endommagés par les vibrations de l'appareil.
 - > Ne branchez pas des fiches d'autres équipements derrière cet appareil.
- Si l'appareil est utilisé dans une pièce où le taux d'humidité est élevé, ses surfaces extérieures peuvent se corroder.

Pour éviter la corrosion, veillez à maintenir la pièce sèche et bien propre.

Pour prévenir le risque de choc électrique :

- > Connectez la fiche à une prise de terre à 3 broches.
- > Ne retirez pas la broche de mise à la terre de la fiche.
- > N'utilisez pas d'adaptateurs.
- > N'utilisez pas de rallonges.



MISE EN GARDE :

Le non-respect de ces instructions peut entraîner un incendie, un choc électrique ou la mort. La connexion du conducteur de mise à la terre de l'appareil au mauvais endroit peut entraîner un choc électrique. Veuillez faire vérifier la mise à la terre par un électricien qualifié ou un technicien de service si vous avez des doutes sur la mise à la terre correcte de l'appareil.

L'installation, les réparations et autres interventions effectuées par des personnes non qualifiées peuvent donner lieu à des dangers. Avant d'installer l'appareil, assurez-vous que les paramètres de tension, de charge et de courant du circuit sur la plaque signalétique sont conformes à l'alimentation électrique de votre habitation.

L'appareil est fourni avec une fiche NEMA 5-15 P et un cordon d'alimentation à 3 broches figurant dans la liste UL et prêt à être branché à une alimentation 120 V, 60 Hz. Le fusible est de 15 A. L'appareil doit être connecté à une prise à 3 broches. La fiche ne doit être installée que par un électricien agréé.



Si le câblage électrique ou l'alimentation électrique de l'habitation nécessite une modification, les procédures nécessaires doivent être effectuées par un électricien qualifié.

MISE EN GARDE :

N'installez pas le réfrigérateur :

- dans un espace en plein air,
- dans un endroit où de l'eau ruisselle,
- dans un endroit soumis à une température inférieure à 50 °F (10 °C).

2. AVANT D'INSTALLER L'APPAREIL

2.2 Armoire

Vérifiez que l'armoire dans laquelle l'appareil sera installé a été montée de façon correcte.

Votre armoire doit être correctement fixée au sol et au mur à l'aide d'un matériel de montage approprié.

Pour une installation optimale, les espaces entre l'armoire et l'appareil doivent être conformes aux mesures spécifiées dans les instructions d'installation.

Les parois latérales ne doivent présenter aucune obstruction et leurs surfaces doivent être planes. L'épaisseur minimale des parois latérales doit être de 5/8" (16 mm).

L'épaisseur minimale des panneaux de porte à fixer à l'appareil doit être de 3/4" (19 mm).



MISE EN GARDE :

Il y a une porte en acier inoxydable en option. Veuillez consulter votre fournisseur de services autorisé.

2.3 Ventilation

Les fentes d'aération permettant l'entrée et la sortie de l'air de l'appareil ne doivent jamais être obstruées. L'utilisateur est tenu d'éliminer régulièrement la poussière et les saletés susceptibles de s'accumuler sur la grille au fil du temps.

2.4 Raccordement électrique

- > N'utilisez jamais de rallonges.
- > La prise électrique doit être mise à la terre et vérifiée par un technicien autorisé.
- > Le positionnement du câblage électrique doit être conforme aux mesures spécifiées dans le manuel.



MISE EN GARDE :

DANGER DE CHOC ÉLECTRIQUE

La mise à la terre électrique est nécessaire. Cet appareil est équipé d'une fiche à trois broches pour vous protéger contre d'éventuels chocs électriques

- Ne retirez pas la broche de mise à la terre ronde de la fiche.
- N'utilisez pas d'adaptateurs de mise à la terre à deux broches.
- N'utilisez pas de rallonge électrique pour

alimenter le produit.



MISE EN GARDE :

Ne connectez pas le câble de mise à la terre à la conduite de gaz. Veuillez faire vérifier la mise à la terre par un électricien qualifié si vous n'êtes pas sûr de la mise à la terre de l'appareil. N'installez pas de fusible sur la ligne neutre ou sur le circuit de mise à la terre.



AVERTISSEMENT :

Veillez attendre 3 à 6 heures avant de brancher l'appareil à l'alimentation électrique, afin de le protéger contre tout dommage éventuel. Cela permettra de rétablir l'équilibre du fluide frigorigène et des lubrifiants dans le système.

2.5 Raccordement à la ligne d'alimentation en eau (le cas échéant)

- > La pression de la ligne d'alimentation en eau doit se situer dans la plage spécifiée dans le manuel.
- > L'emplacement du raccordement de la conduite d'eau doit être conforme aux mesures de superficie spécifiées dans le manuel.



Remarque :

Il est recommandé d'installer un bouchon de dérivation pour le système de filtration de l'eau si un système d'osmose inverse est utilisé.

2.6 Liste de l'outillage

Les outils à utiliser lors de l'installation du produit sont les suivants :



Perceuse sans fil



Lunettes de sécurité



Clé 1/2" wrench



Marteau



Échelle



Mèche Ø 2,4
3/32"



Mèche Ø 8,0
5/16"



Cutter



Gants de sécurité



Mètre ruban



Mèche à tête cruciforme



Mèche hexagonale 1/4"



Niveau à bulle



Chariot

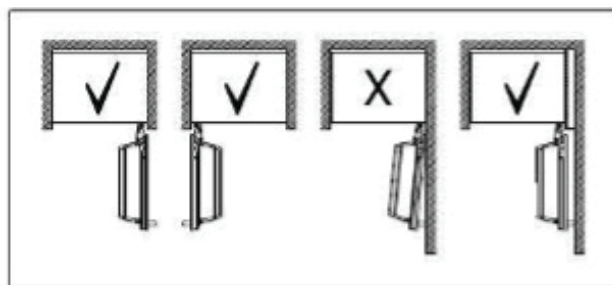


Ruban

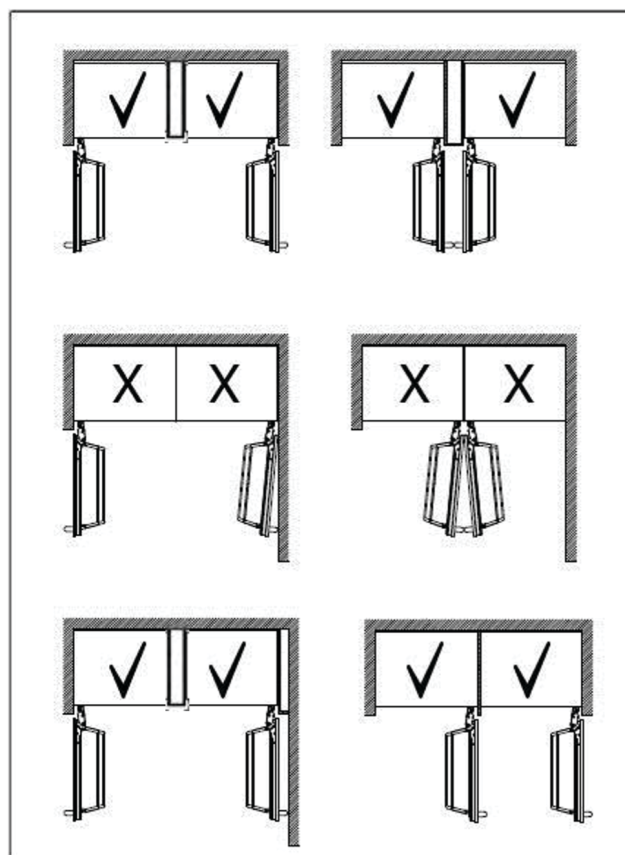
2.7 Solutions alternatives pour l'installation

L'appareil peut être installé de différentes façons en fonction de la conception de la cuisine. Il doit être installé dans un endroit où il est certain que la porte peut être ouverte et fermée correctement. Si les portes ne peuvent pas s'ouvrir à au moins 90 degrés, les tiroirs de l'appareil ne pourront pas être ouverts.

- Méthodes d'installation pour réfrigérateur unique



- Méthodes d'installation pour double réfrigérateur



2.8 Préparation avant de procéder à l'installation

Les instructions ci-dessous se réfèrent à une installation encastrée.

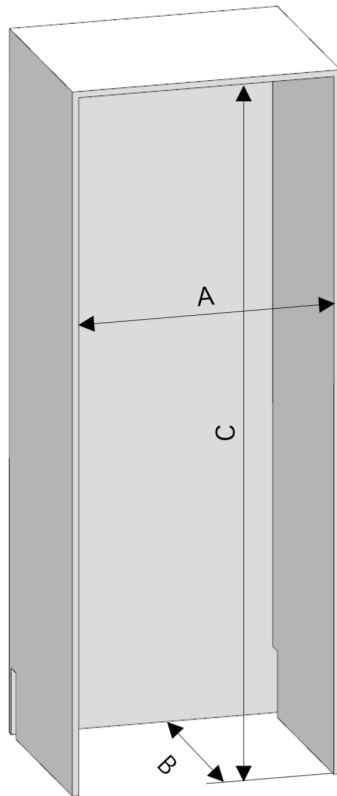
Dans une installation encastrée, l'appareil est installé dans une niche d'armoire ou encadrée de panneaux.

Dimensions de la niche

- Vérifiez les dimensions de la niche avant de procéder à l'installation.

2. AVANT D'INSTALLER L'APPAREIL

Catégorie		REF30BMB...N...	REF36BMBZPNV	REF36FDBZPNV/24
A	largeur	30" (762 mm)	36" (914 mm)	36" (914 mm)
B	profondeur	25" (635 mm)	25" (635 mm)	25" (635 mm)
C	hauteur	84" (2134 mm)	84" (2134 mm)	84" (2134 mm)



2.9 Emplacement du câblage électrique

L'emplacement de la prise électrique dans l'armoire où le produit sera installé doit se situer dans la zone indiquée sur la figure.



MISE EN GARDE :

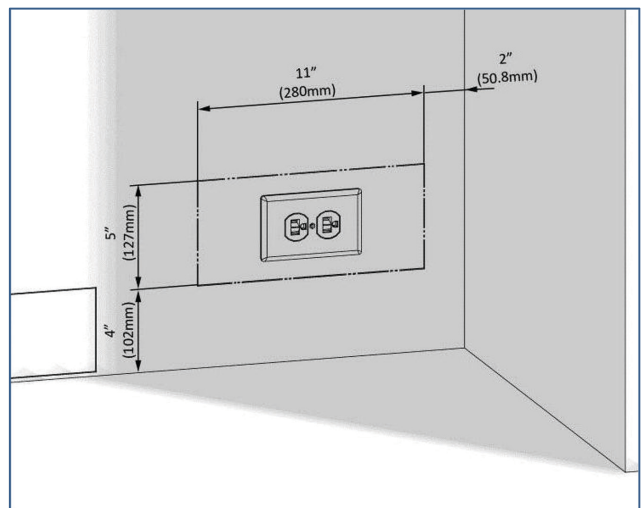
N'utilisez pas de rallonges ou d'adaptateurs à deux broches, et ne retirez pas la borne de terre du câble de mise à la terre.



MISE EN GARDE :

Un électricien qualifié doit s'assurer que les pôles de la prise sont correctement branchés.

Vérifiez que la mise à la terre de la prise est correcte.



2.10 Emplacement du système d'alimentation en eau

L'eau raccordée à l'alimentation en eau doit être potable.

L'emplacement du raccordement à la conduite d'eau doit se situer dans la zone indiquée dans la figure ci-dessous.

Le système d'approvisionnement en eau du réfrigérateur doit être raccordé à l'alimentation en eau principale de l'habitation.

L'utilisateur doit pouvoir l'activer/le désactiver à l'aide de la vanne, si nécessaire.

Les objets susceptibles de percer les tuyaux d'eau ou de provoquer leur torsion ne doivent pas être présents à l'endroit où la conduite d'eau est installée.

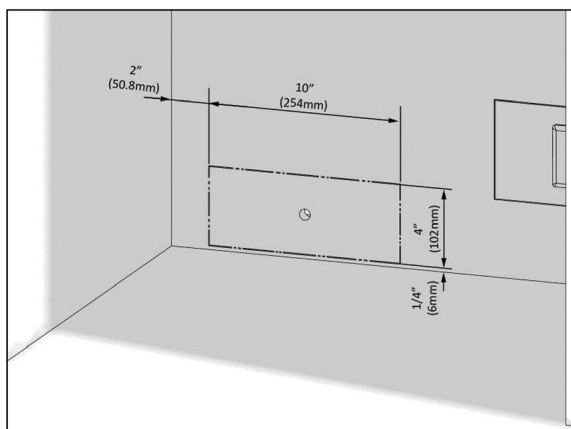
La pression du système d'approvisionnement en eau doit être comprise entre 25 et 80 psi (1,7 à 5,5 bars).

Si la pression de l'eau dépasse 80 psi, installez un limiteur de pression ou une protection contre les chocs de l'eau à la vanne d'admission. N'installez pas ou n'utilisez pas l'appareil s'il est possible que la pression de l'eau dépasse 120 psi.

! AVERTISSEMENT :

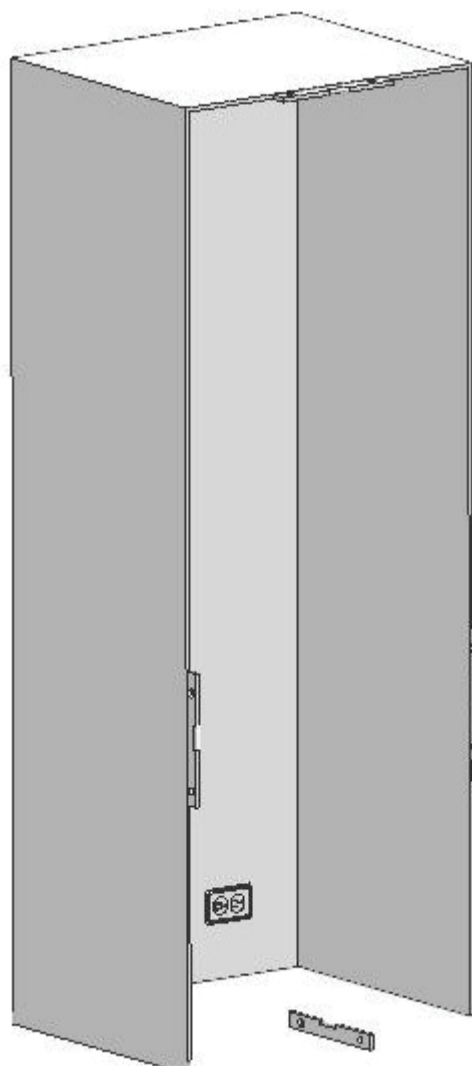
Assurez-vous qu'il n'y a pas de fuite d'eau lors de la réalisation des raccordements. Toute fuite d'eau risquerait d'endommager les armoires. La conduite d'alimentation en eau doit être située dans l'armoire où l'appareil sera installé. Il doit être possible d'ouvrir et de fermer la vanne, si nécessaire. Le tuyau de raccordement au circuit d'approvisionnement en eau doit avoir une longueur minimale de 60" (1,5 mètre) et un diamètre de 1/4". Un raccord muni d'un filetage d'un diamètre extérieur de 1/4" est nécessaire pour brancher l'extrémité du tuyau à l'appareil.

Avant de terminer l'installation, vérifiez que l'eau coule et qu'il n'y a pas de fuite d'eau.



AVERTISSEMENT :

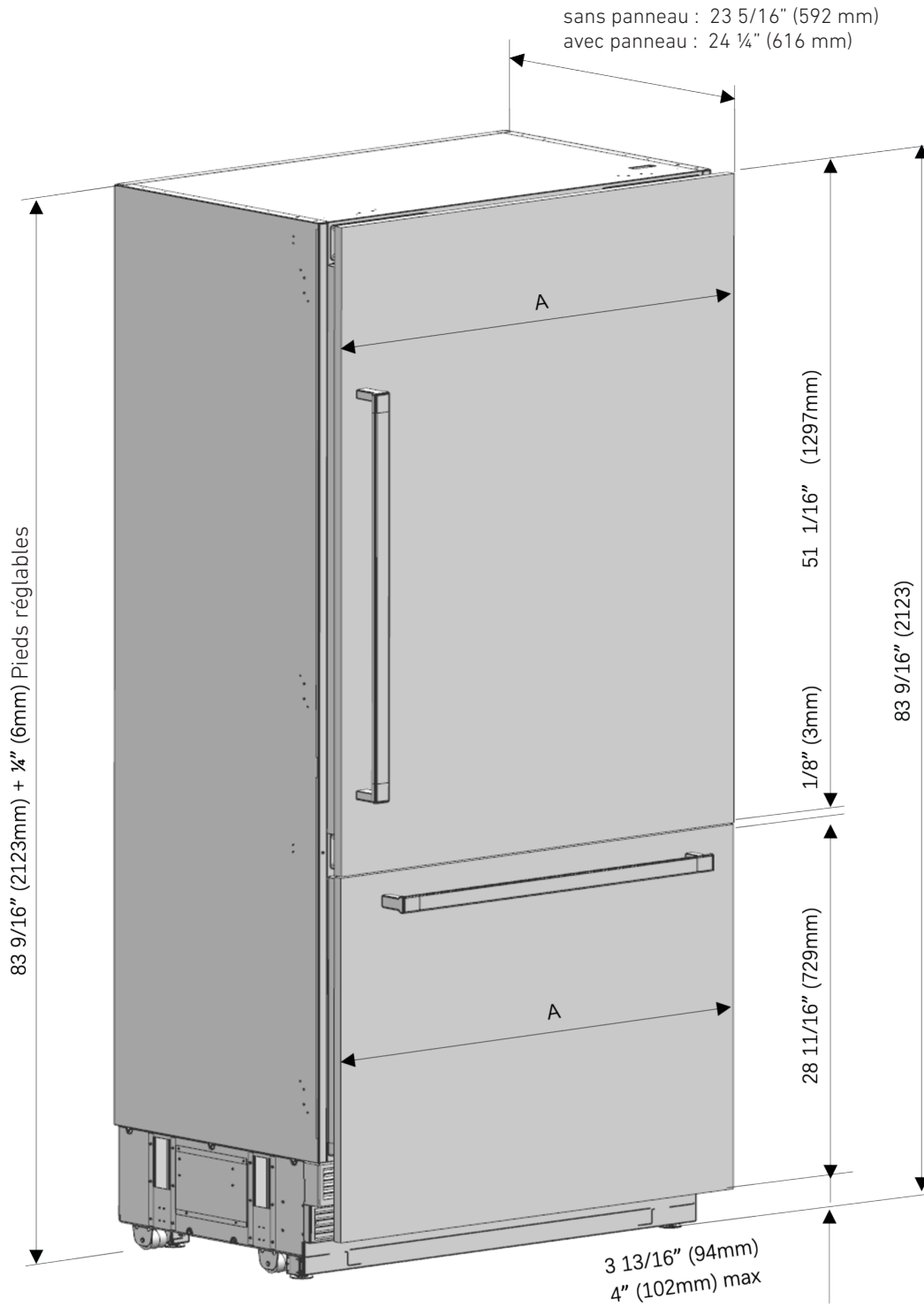
- L'horizontalité du sol sur lequel reposera l'appareil doit être vérifiée à l'aide d'un niveau à bulle.
- Les brides de l'armoire doivent être vérifiées à l'aide d'un niveau à bulle pour s'assurer qu'elles sont parfaitement verticales.
- Si l'appareil n'est pas parfaitement horizontal et vertical, des problèmes peuvent survenir lors de l'installation.



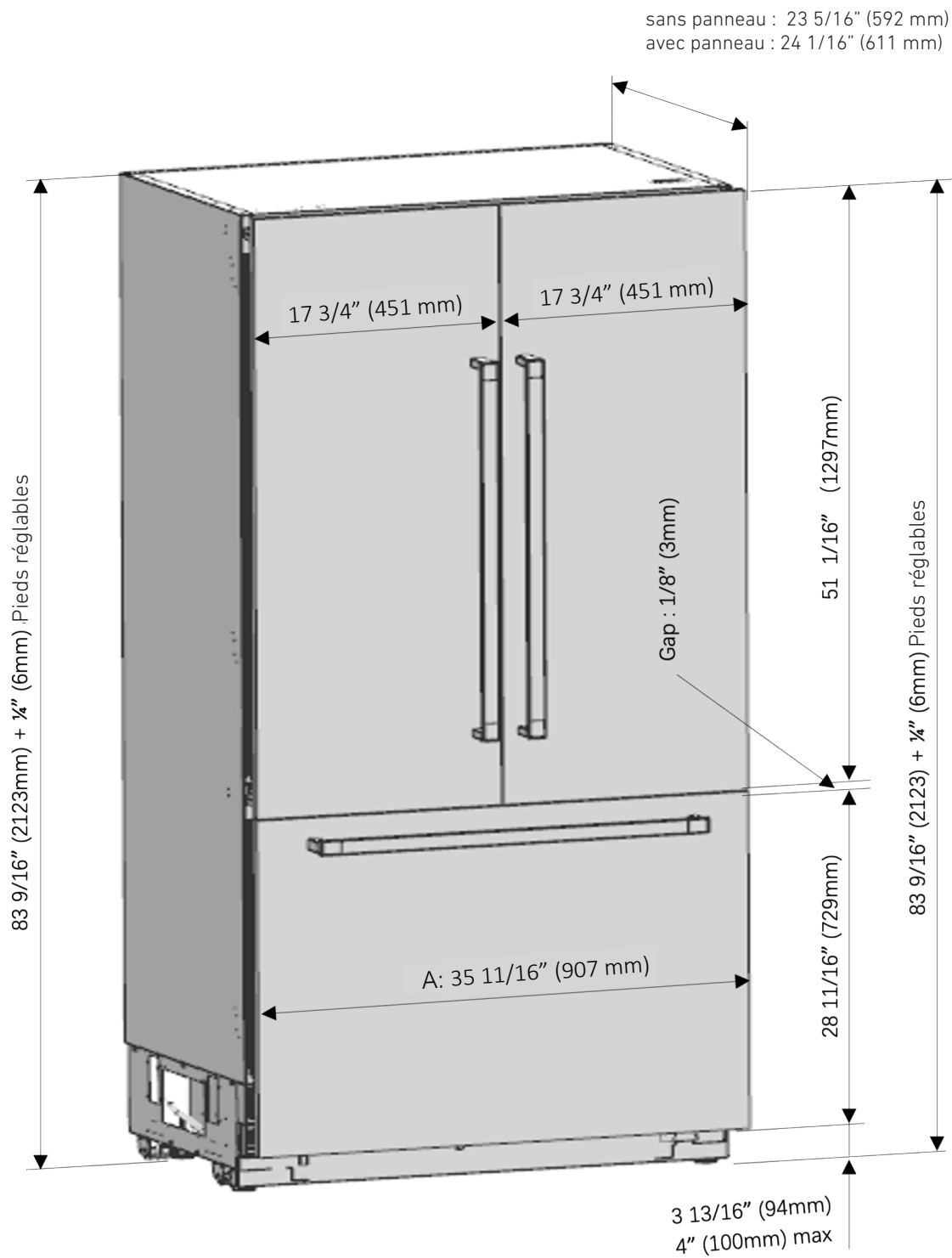
2. AVANT D'INSTALLER L'APPAREIL

2.11 Dimensions du produit et du panel

Catégorie	REF30BMB...N...	REF36BMBZPNV
A	29 3/4" (756 mm)	35 3/4" (908 mm)



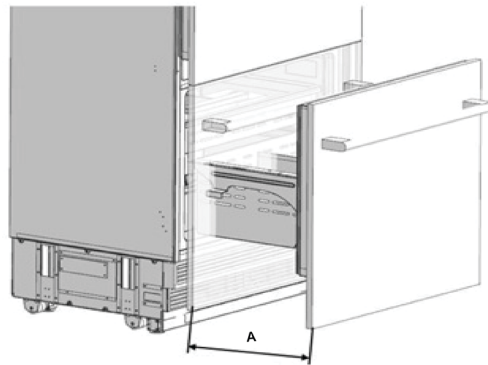
REF30BMB...N...
REF36BMBZPNV



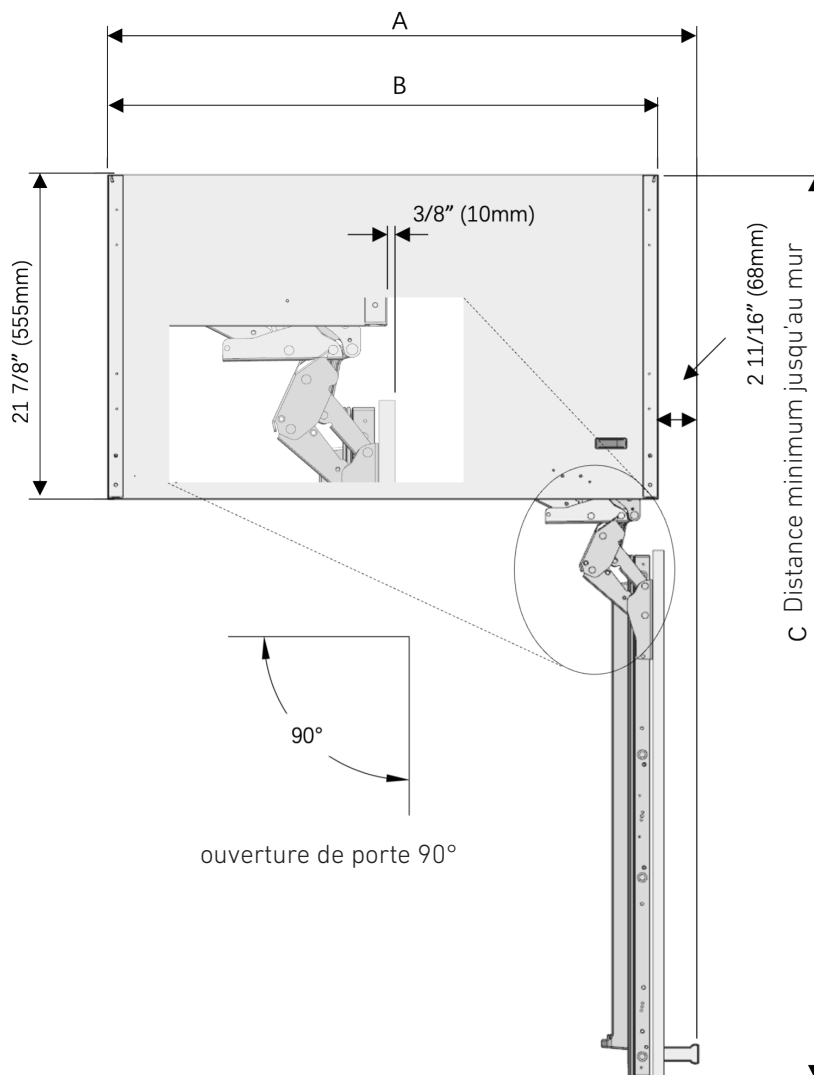
REF36FDBZPNV/24

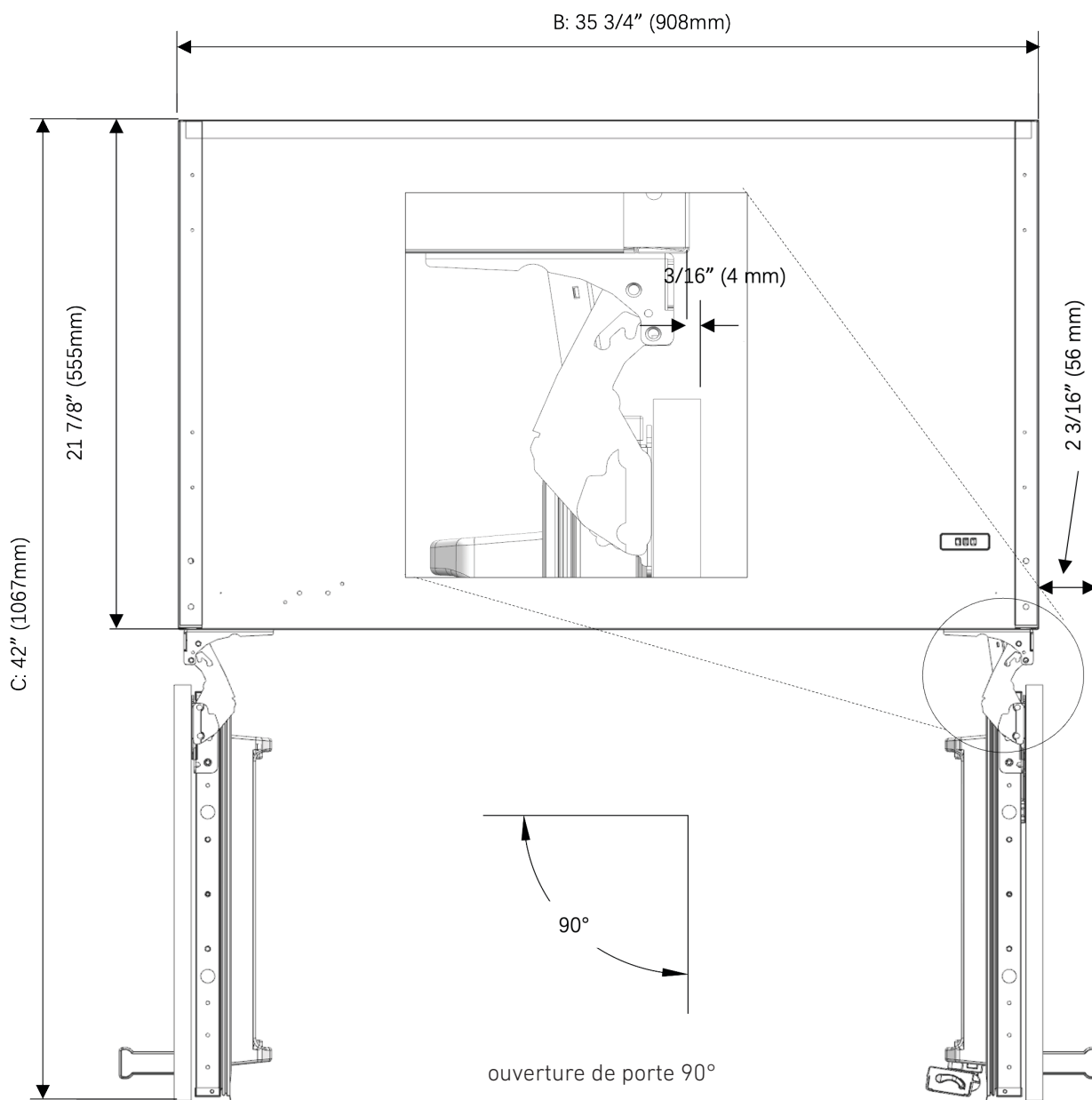
2. AVANT D'INSTALLER L'APPAREIL

Catégorie	REF30BMB...N...	REF36BMBZPNV	REF36FDBZPNV/24
A	15 1/4" (388 mm)	15 1/4" (388 mm)	15 1/4" (388 mm)



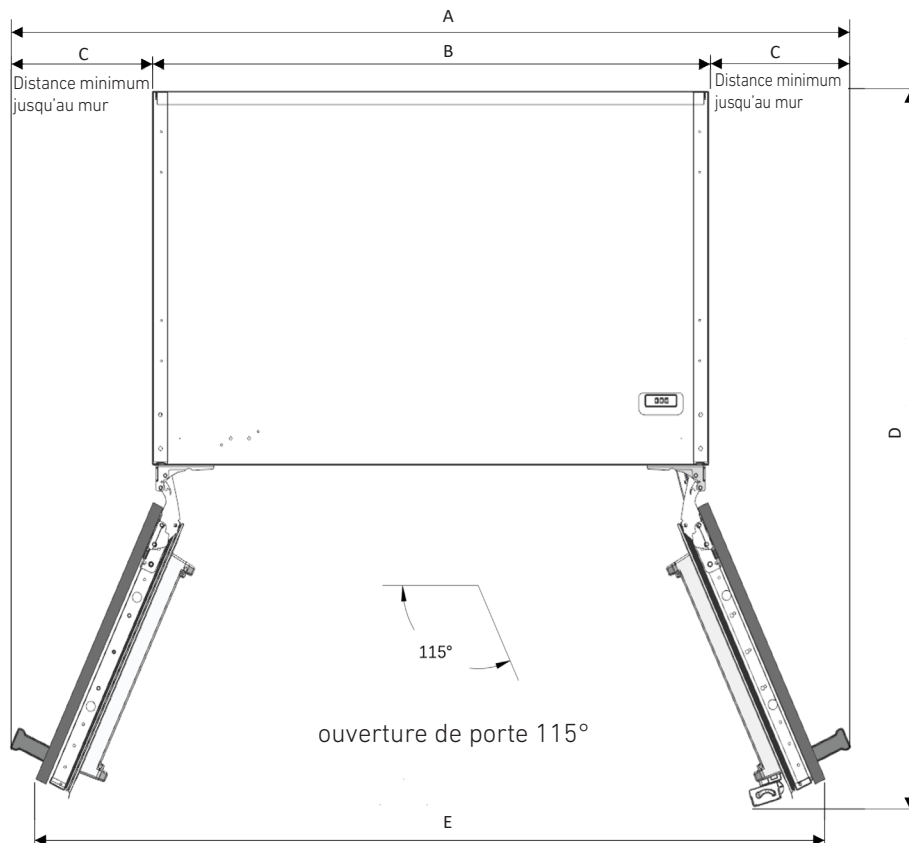
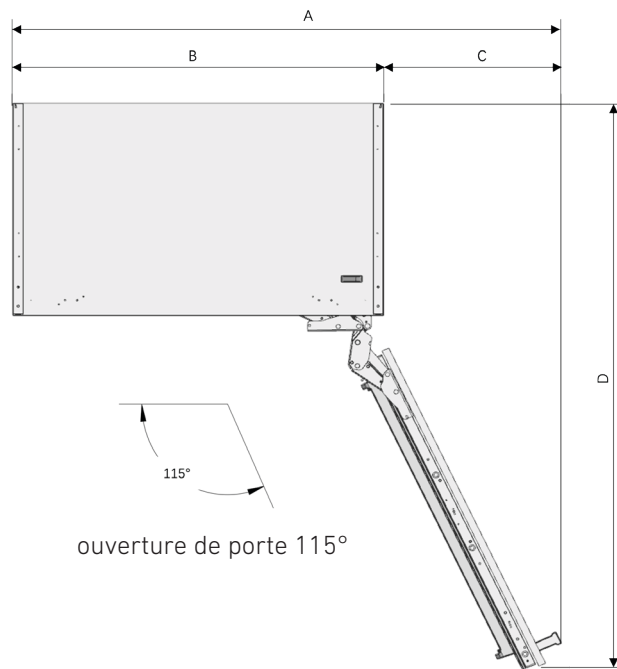
Catégorie	REF30BMB...N...	REF36BMBZPNV	REF36FDBZPNV/24
A	32 7/16" (824 mm)	38 7/16" (976 mm)	41 1/8" (1 044 mm)
B	29 3/4" (756 mm)	35 3/4" (908 mm)	35 3/4" (908 mm)
C	55 1/16" (1 398 mm)	61" (1 550 mm)	42" (1 067 mm)

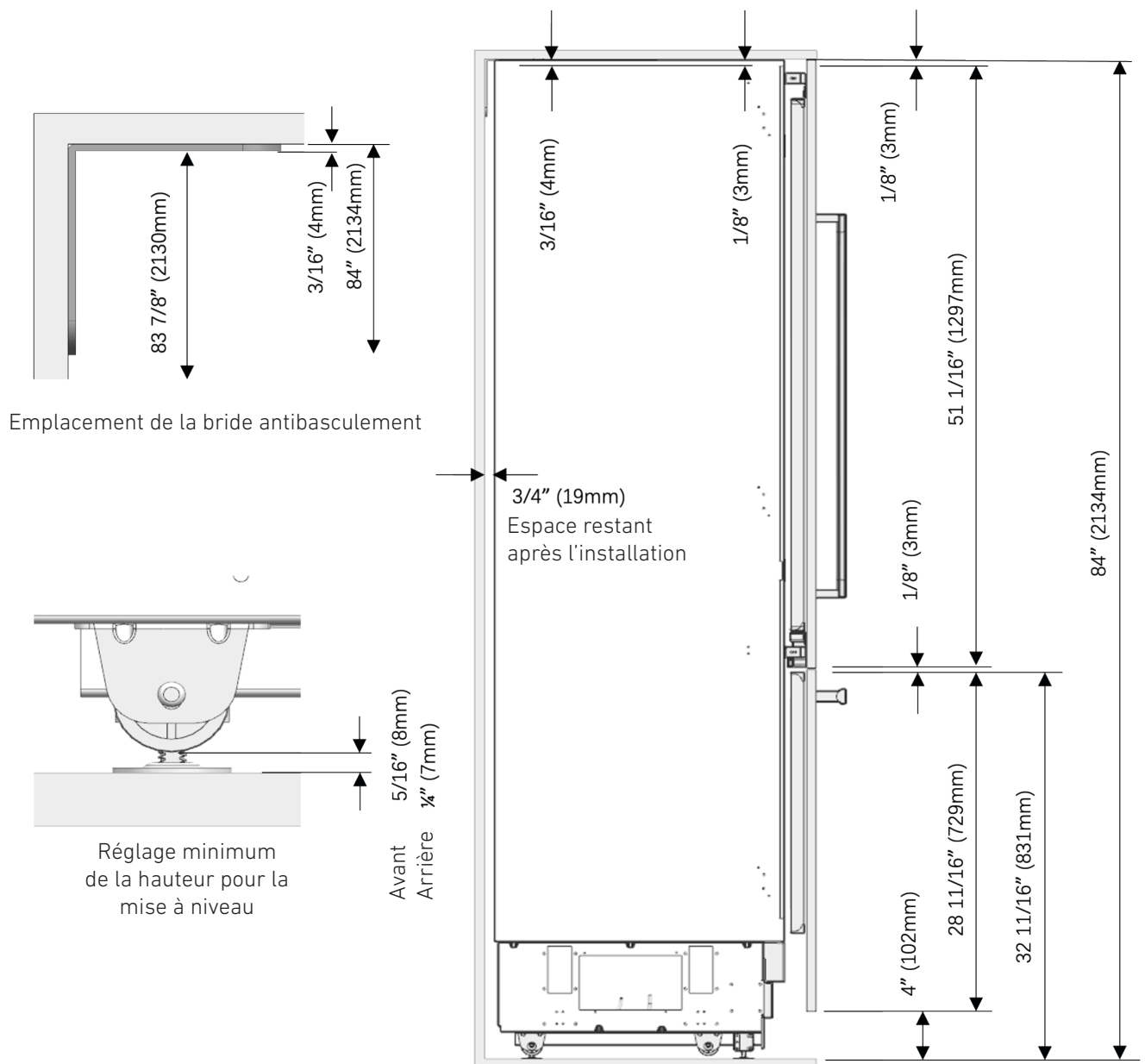




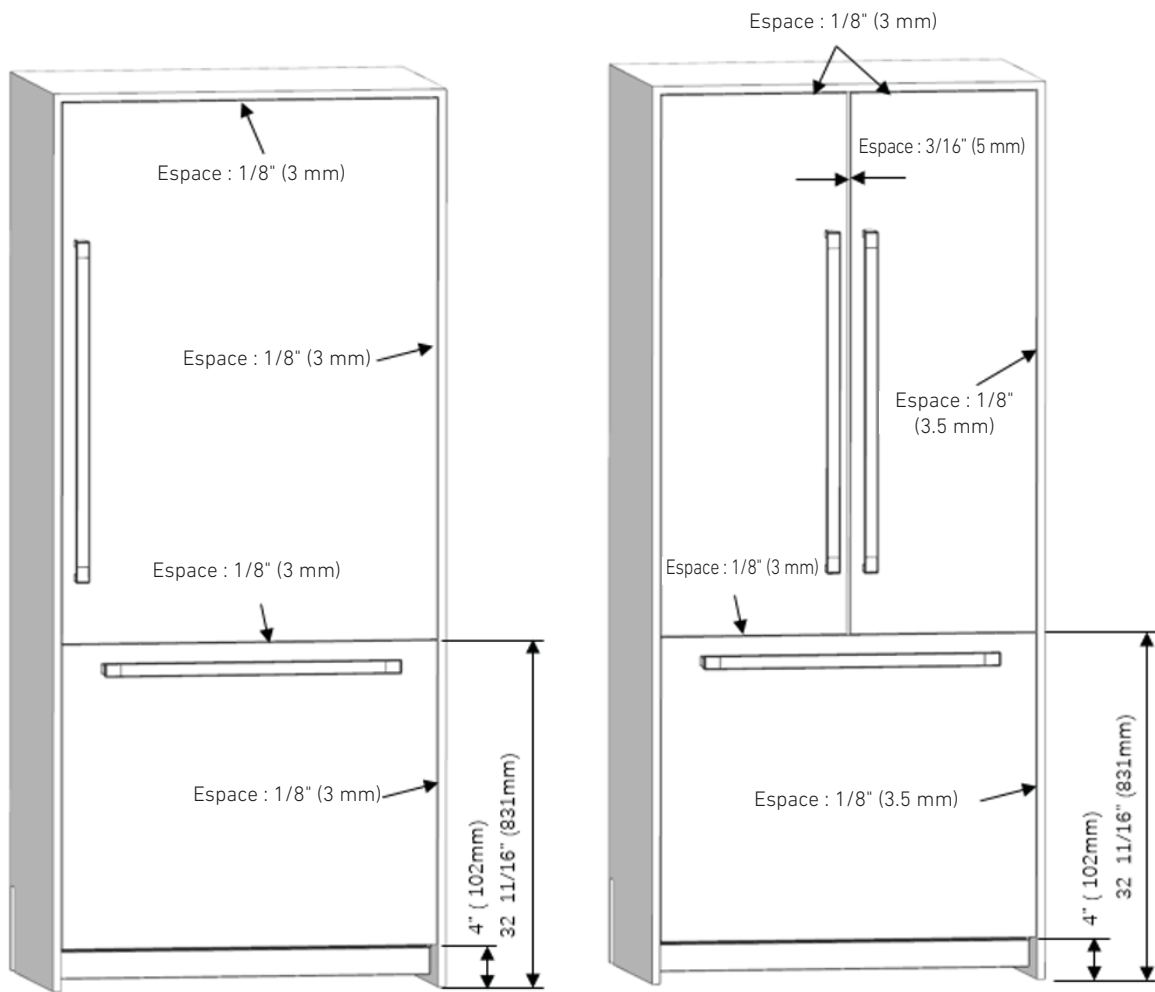
2. AVANT D'INSTALLER L'APPAREIL

Catégorie	REF30BMB...N...	REF36BMBZPNV	REF36FDBZPNV/24
A	44 3/8" (1 127 mm)	54 3/4" (1 391 mm)	53 7/8" (1 368 mm)
B	29 3/4" (756 mm)	35 3/4" (908 mm)	35 3/4" (908 mm)
C	14 5/8" (371 mm)	19" (483 mm)	9 1/16" (230 mm)
D	52 11/16" (1 338 mm)	57 3/4" (1 466 mm)	41 3/4" (1 061 mm)
E	-	-	50 3/4" (1289 mm)





2. AVANT D'INSTALLER L'APPAREIL

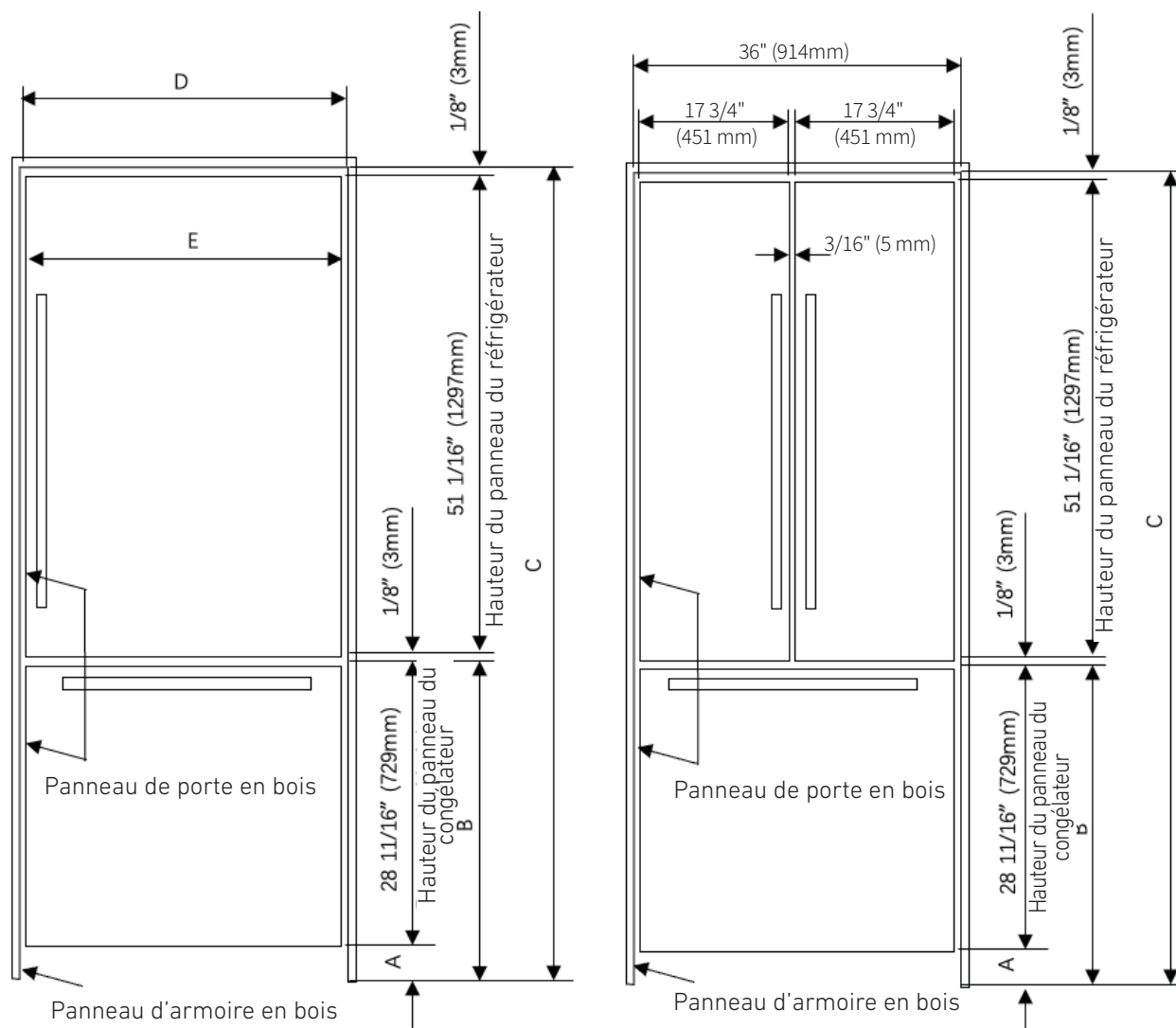


REF30BMB...N...
REF36BMBZPNV

REF36FDBZPNV/24

Hauteur du plan de travail de la cuisine en fonction du min./max. hauteur de l'armoire ;

	A	B	C
standard	4" (102 mm)	32 11/16" (831 mm)	84" (2 134 mm)
minimum	3 13/16" (97 mm)	32 1/2" (826 mm)	83 13/16" (2 129 mm)
maximum	5 3/8" (137 mm)	34 1/16" (866 mm)	85 3/8" (2 169 mm)



Catégorie	REF30BMB...N...	REF36BMBZPNV	REF36FDBZPNV/24
D	30" (762 mm)	36" (914 mm)	-
E	29 3/4" (756 mm)	35 3/4" (908 mm)	-

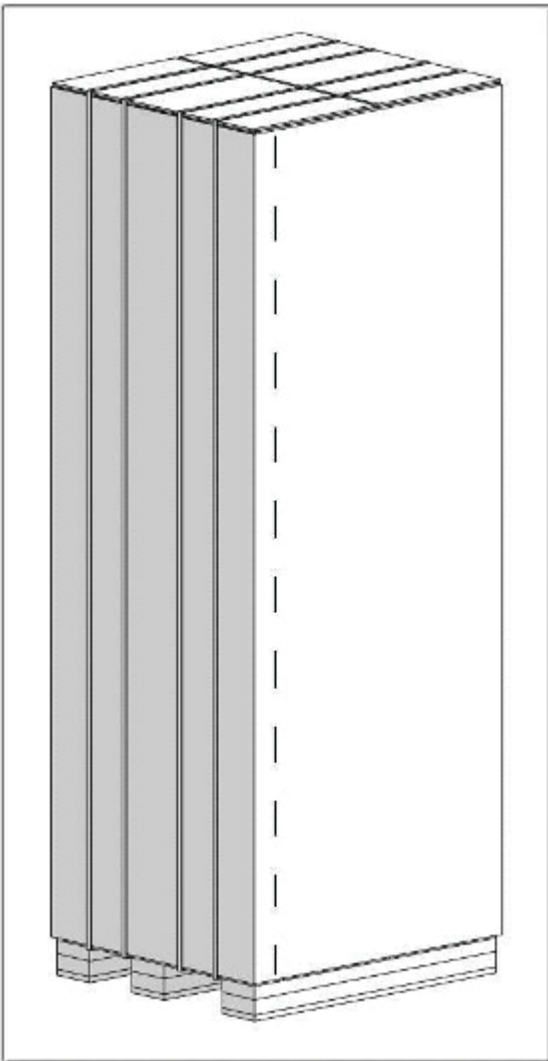
2. AVANT D'INSTALLER L'APPAREIL

2.12 Déballage

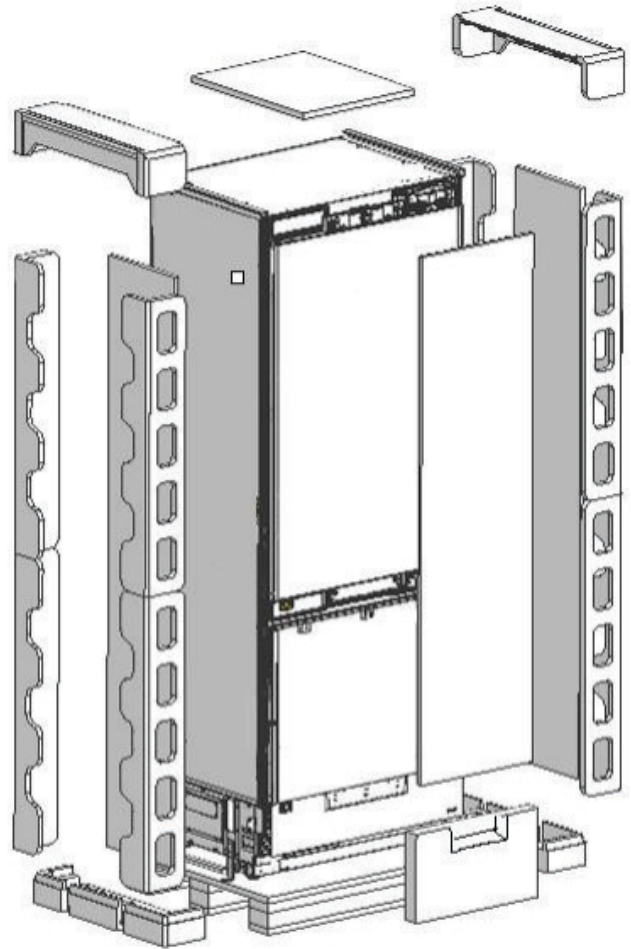
! **AVERTISSEMENT :**
Deux personnes au moins sont nécessaires pour transporter le réfrigérateur.



- Retirez le ruban adhésif à l'aide d'un cutter.
- Coupez l'emballage en carton le long des lignes pointillées à l'aide d'un cutter, puis retirez-le.



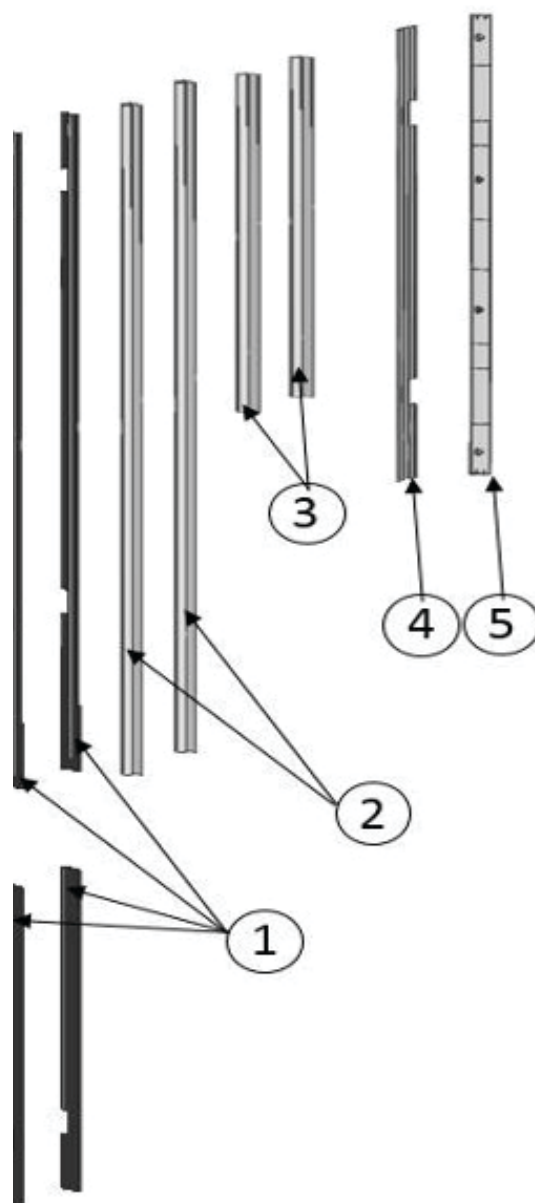
- Éliminez les matériaux d'emballage en polystyrène.



MISE EN GARDE :

Ne retirez pas le ruban adhésif de la porte supérieure de l'appareil tant que le réfrigérateur n'est pas placé dans l'armoire. Risque de basculement.

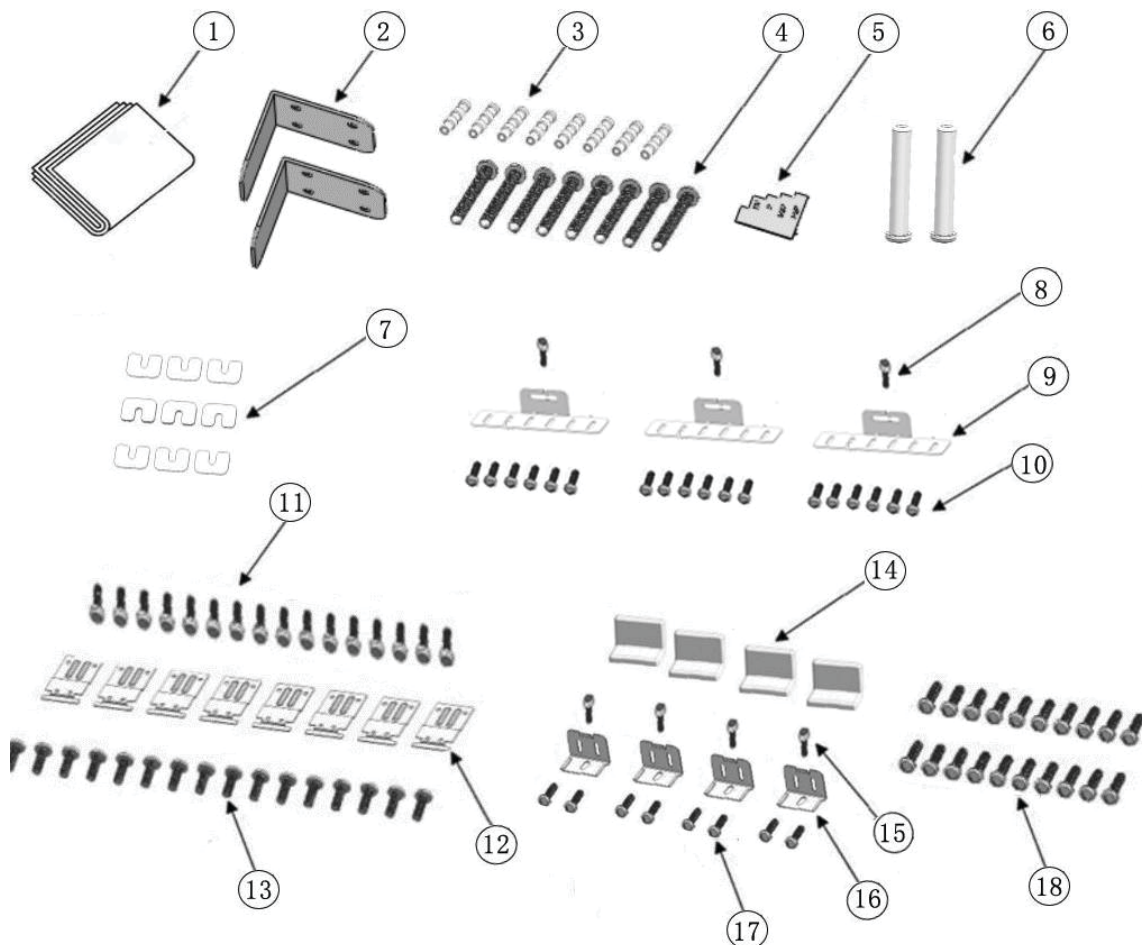
2.13 Retrait des connecteurs sur la paroi latérale de l'unité



N°	Nom de la pièce	Spécifications	REF30BMB...N...	REF36BMBZPNV	REF36FDBZPNV/24
1	Garniture de réfrigérateur, armoire latérale	Extrusion en PVC, L = 617, L=1 259	4	4	4
2	Garniture de réfrigérateur, porte latérale	Extrusion en PVC, L=1 136	2	2	4
3	Garniture de congélateur, porte latérale	Extrusion de PVC, L = 556	2	2	2
4	Garniture de réfrigérateur, haut de l'armoire	Extrusion en PVC, L = 762, L = 914	1	1	1
5	Couvercle pour le haut de la porte du congélateur	ABS	1	1	1

2. AVANT D'INSTALLER L'APPAREIL

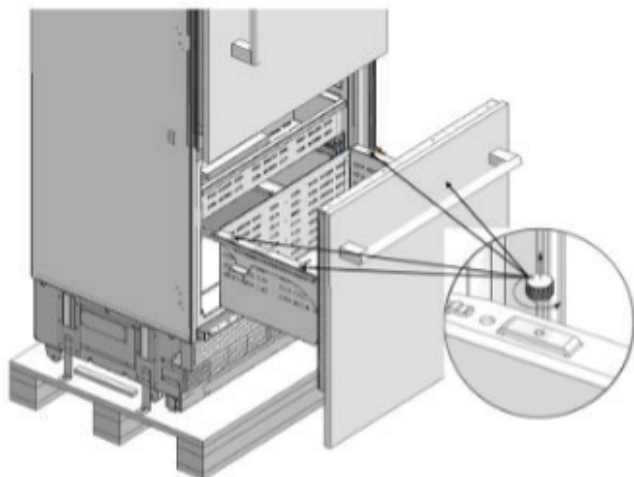
2.14 Retrait du matériel d'installation du compartiment congélateur



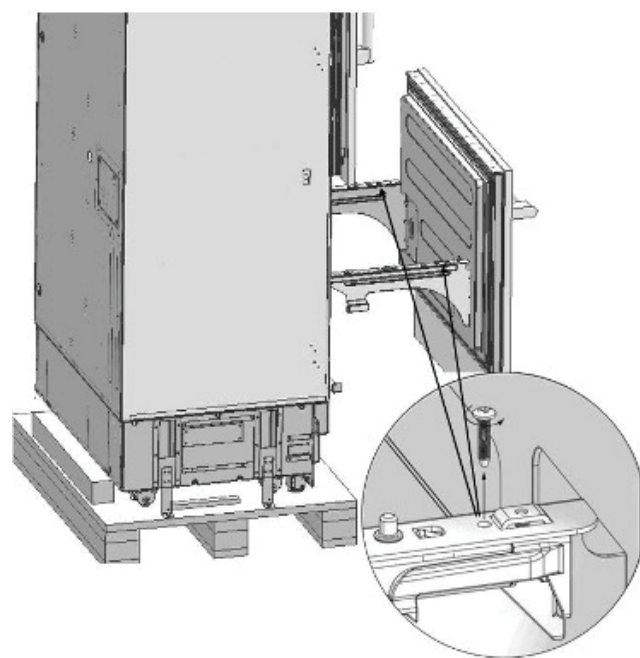
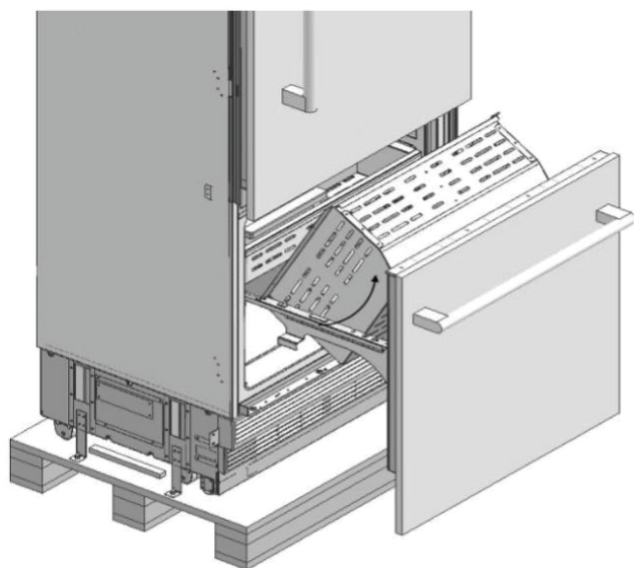
N°	Nom de la pièce	Spécifications	REF30BMB...N...	REF36BMBZPNV	REF36FDBZPNV/24
1	Gabarit de préparation de porte de meuble	papier	1	1	1
2	Bride anti-basculement	T4.0, revêtement en zinc	2	2	2
3	Cheville		8	8	8
4	Vis bride anti-basculement	M8*L60	8	8	8
5	Gabarit de positionnement et de réglage	PS	1	1	1
6	Goupille de butée 90°	sus	1	1	2
7	Rondelle de réglage de la porte du meuble du congélateur	abs	9	9	9
8	Support de suspension de porte de congélateur à vis	ST4.8*16, vis à tête ronde 3	3	3	3
9	Support de suspension de porte de congélateur	T1.0, revêtement Cr+znc	3	3	3
10	Support de suspension à vis de porte de meuble de congélateur	ST4x14, vis à tête fraisée de contre-blocage	18	18	18
11	Support de raccordement d'armoire à vis	M4*12, rondelle tête Truss	16	16	16
12	Support de liaison armoire-cabine	T1.0, revêtement en zinc	76	91	92
13	Support de raccordement de cabine à vis	ST4x14, vis à tête fraisée de contre-blocage	8	8	8
14	Couvercle bride porte meuble	abs	16	16	16
15	Support de fixation de porte à vis	M4*12, rondelle tête Truss	4	4	2
16	Support de liaison meuble porte-porte	T1.0, revêtement Cr+znc	4	4	2
17	Support de fixation meuble de porte à vis	ST4x14, vis à tête fraisée de contre-blocage	8	8	4
18	Support de suspension de porte à vis	ST4x14, vis à tête fraisée de contre-blocage	20	20	24

2.15 Retrait du tiroir du congélateur

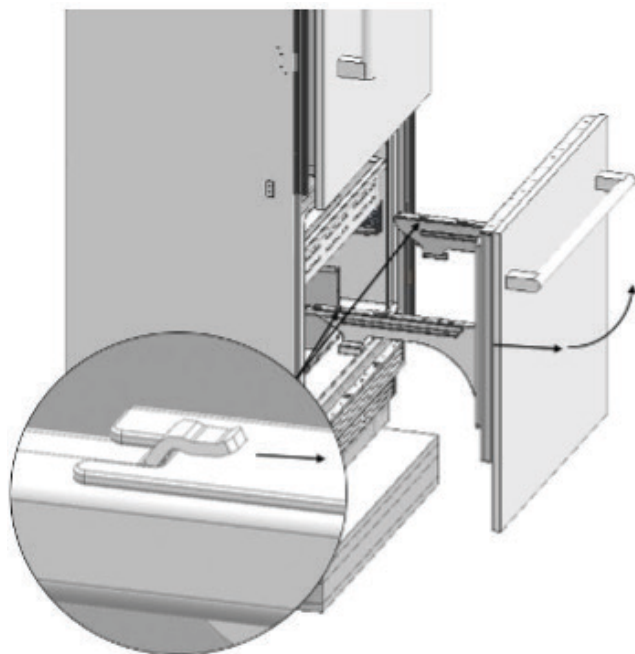
- Retirez-le manuellement en retirant les 4 vis moletées.



- Retirez le tiroir inférieur.



- Tirez la porte vers l'extérieur pour la libérer des languettes à l'arrière et retirez-la.



2.16 Retrait de la porte du congélateur

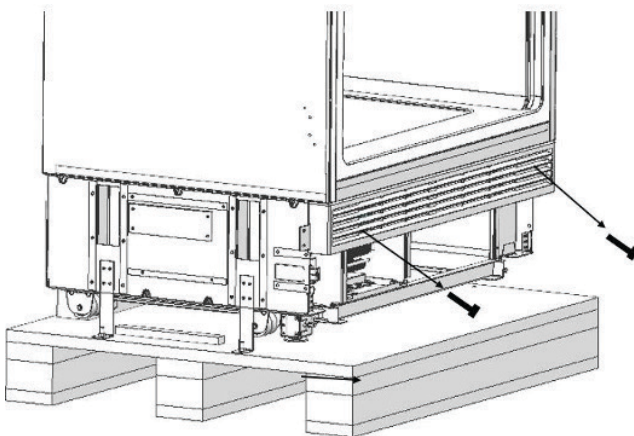
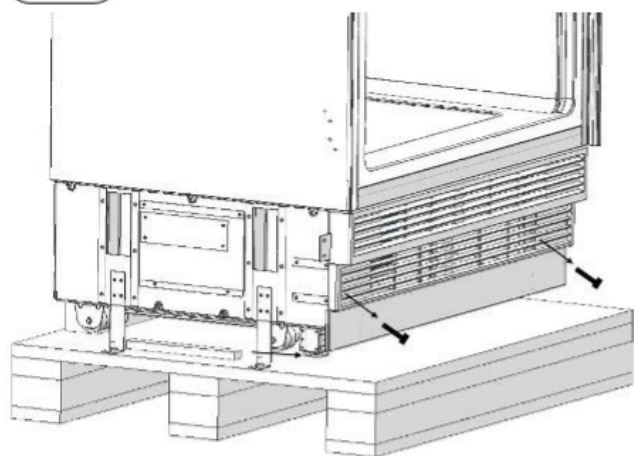
- Retirez les 2 vis près de la section avant qui relie la porte du congélateur au rail.



2. AVANT D'INSTALLER L'APPAREIL

2.17 Retrait des couvercles inférieur et supérieur des grilles de ventilation

- Retirez les 2 vis sur les côtés avec un tournevis afin de retirer le couvercle inférieur de la grille d'aération.
- Retirez les 2 vis sur les côtés avec un tournevis afin de retirer le couvercle supérieur de la grille d'aération.



3.1 Avant d'installer le produit

Procédez à l'installation du produit en suivant les instructions ci-dessous. Il convient de tenir compte des exigences des codes nationaux et locaux relatifs aux installations.

Veuillez vous conformer à ce qui suit :

- Pour les États-Unis, le National Electrical Code, ANSI/NFPA 70 (dernière version)/directives étatiques ou municipales et/ou directives régionales.
- Pour le Canada, le Code canadien de l'électricité, C22.1 (dernière version)/Directives nationales ou municipales et/ou directives régionales.

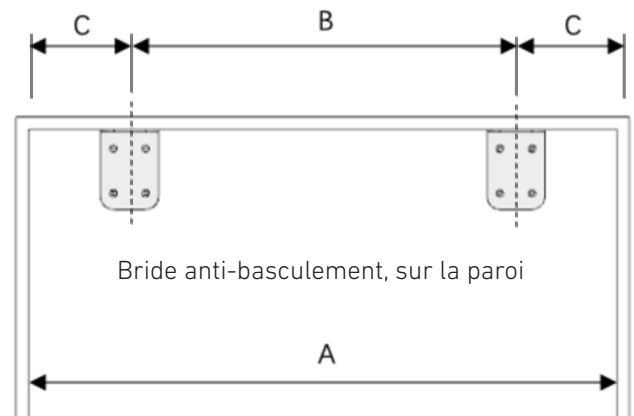
3.2 Montage des brides anti-basculement

AVERTISSEMENT : Si l'appareil ne peut pas être fixé à l'armoire (qui doit à son tour être fixée au mur), assurez-vous d'utiliser les brides anti-basculement fournies pour éviter tout basculement du produit.

AVERTISSEMENT : Vérifiez qu'il n'y a pas de connexion électrique ou d'eau dans les armoires adjacentes dans lesquelles les vis de montage seront vissées pour fixer le réfrigérateur.

AVERTISSEMENT : Munissez-vous de l'équipement de protection nécessaire lors du perçage de trous dans le mur et au moment de l'installation.

- À l'aide d'un ruban à mesurer, marquez les repères sur la paroi pour l'installation des brides anti-basculement (2).



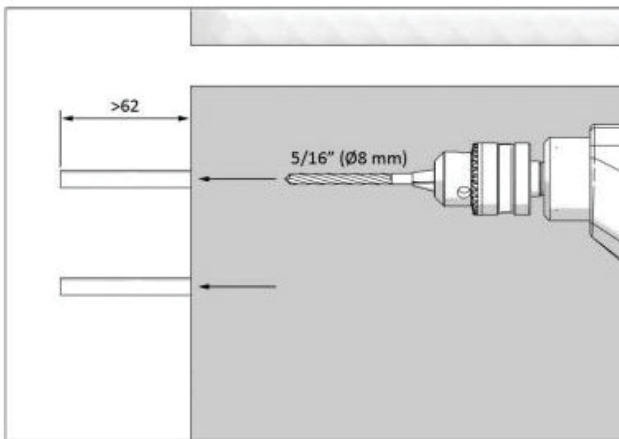
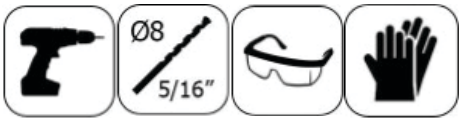
Catégorie	REF30BMB...N...	REF36BMBZPNV	REF36FDBZPNV/24
A	30" (762 mm)	36" (914 mm)	36" (914 mm)
B	23 5/8" (600 mm)	23 5/8" (600 mm)	23 5/8" (600 mm)
C	3 3/16" (81 mm)	6 3/16" (157 mm)	6 3/16" (157 mm)

3. INSTRUCTIONS D'INSTALLATION

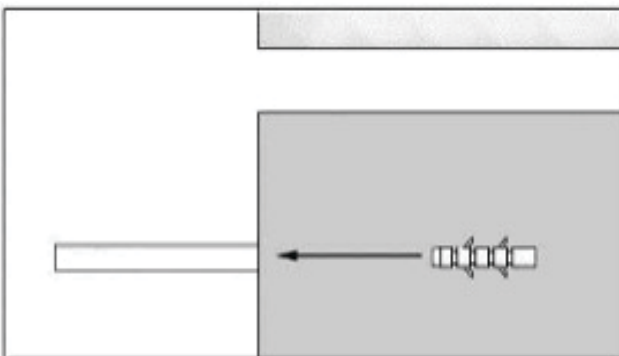
- Pour que l'installation soit la plus sûre possible, utilisez un détecteur de montant pour fixer les brides anti-basculement dans les montants muraux. Si aucun montant n'est présent à l'endroit de l'installation, suivez les instructions ci-dessous.

! AVERTISSEMENT :
Vérifiez toujours qu'aucune conduite d'eau et qu'aucun circuit électrique ne sont présents dans la zone à forer sous peine de causer des dommages matériels, corporels, voire la mort.

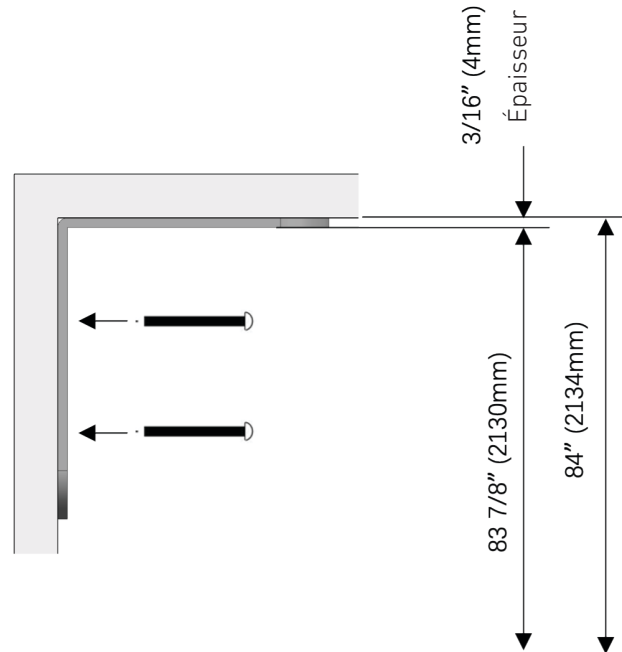
- À l'aide d'une perceuse, réalisez aux points marqués les trous destinés aux ancrages muraux (n° 3). (5/16", Ø8)



- Installez les ancrages muraux (n° 3) à l'aide d'un marteau si aucun montant n'est présent.



- Installez les brides anti-basculement (n° 2) et fixez-les à l'aide de 4 vis.
Il est nécessaire d'utiliser deux brides pour que l'appareil soit soutenu en toute sécurité.



- REMARQUES :**
Si vous n'êtes pas sûr que les connecteurs et les brides anti-basculement fournis sont montés au mur de manière suffisamment solide, vous pouvez utiliser d'autres méthodes anti-basculement. S'il y a un panneau d'armoire derrière la paroi arrière du réfrigérateur, assurez-vous qu'il est solidement fixé au mur. Pour cela, vous devez vous assurer que la paroi arrière du panneau d'armoire est fixée à un montant du mur.

Méthode anti-basculement alternative :

Si les brides anti-basculement ne peuvent pas être montées en toute sécurité, vous devez utiliser la méthode alternative ci-dessous. Pour cette méthode, vous pouvez utiliser des planches de bois pour éviter que l'appareil ne bascule. Elles doivent être installées comme illustré dans la figure ci-dessous.

Il ne doit pas y avoir d'espace libre entre l'appareil et le support en bois.

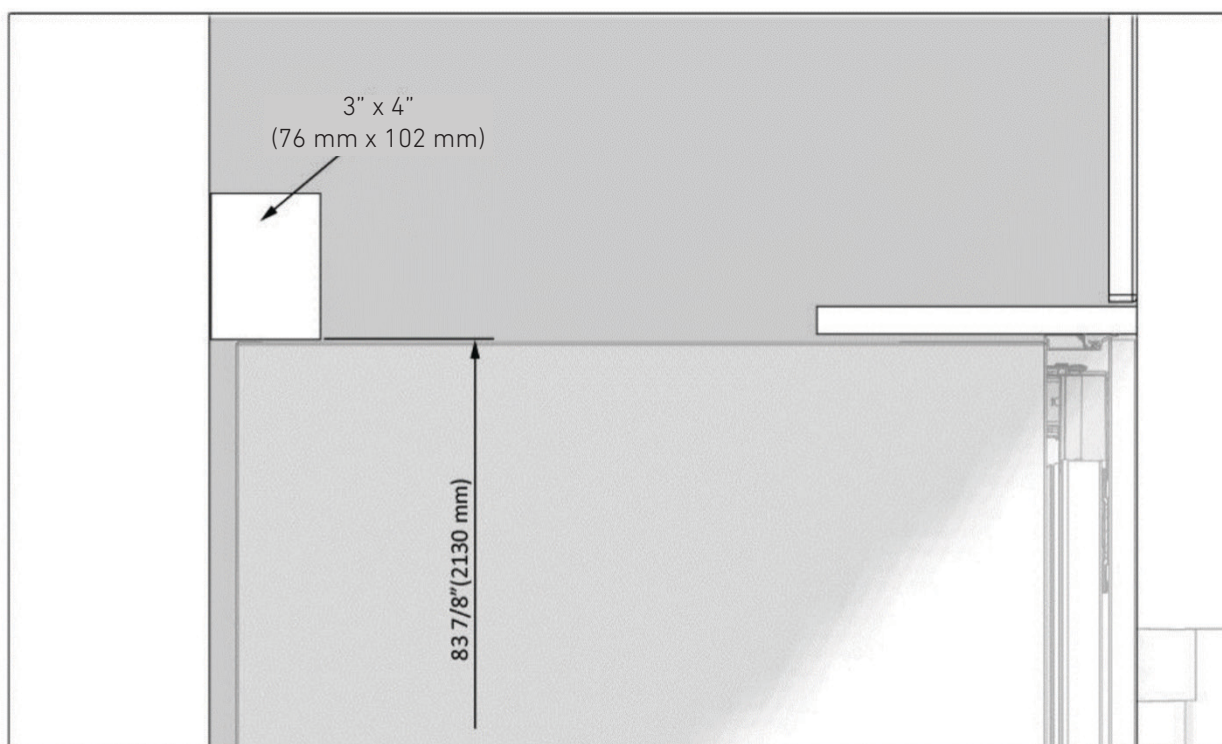
Les dimensions minimales de la section du support en bois doivent être de 76 mm x 102 mm (3" x 4"). La largeur du support doit être égale à l'espace où il sera installé. Cela peut être réalisé en utilisant un morceau de bois de charpente de 4" x 4" (102 mm x 102 mm) ou deux morceaux de 2" x 4" (51 mm x 102 mm).

Le calcul de la profondeur de blocage est basé sur une profondeur de niche standard. Si la profondeur de la niche est supérieure à 24" (610 mm), assurez-vous que le blocage chevauche le corps supérieur arrière du réfrigérateur de 2" (51 mm).

Placez le support en bois, marquez l'emplacement sur la paroi arrière, sélectionnez les vis appropriées et montez-le solidement.

**AVERTISSEMENT :**

La quantité et le type de vis ou d'attaches à utiliser pour fixer les blocs de bois doivent permettre de garantir une fixation sûre à la paroi arrière.



3. INSTRUCTIONS D'INSTALLATION

3.3 Préparation du tuyau d'eau et du raccordement électrique

Inspectez tous les raccords d'eau pour détecter les fuites. Les fuites d'eau peuvent causer des dommages importants au fil du temps. Il est recommandé d'utiliser une conduite d'eau de 1/4" d'une longueur minimale de 60" (1,5 mètre) avec un raccord femelle fileté de 1/4". Avant de terminer l'installation, ouvrez l'alimentation en eau pour vous assurer que l'eau coule et qu'il n'y a pas de fuites.

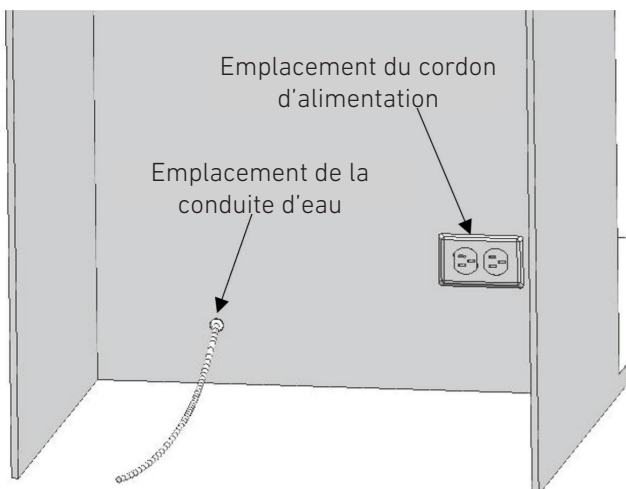
Un raccord muni d'un filetage d'un diamètre extérieur de 1/4" est nécessaire pour brancher l'extrémité du tuyau à l'appareil.

Prévoyez suffisamment de mou dans la conduite d'alimentation en eau, en fournissant un minimum de 10" de longueur à partir de la base de l'appareil une fois qu'il est installé dans la niche. Cela permet une certaine marge de manœuvre pour les branchements et les réglages éventuels.

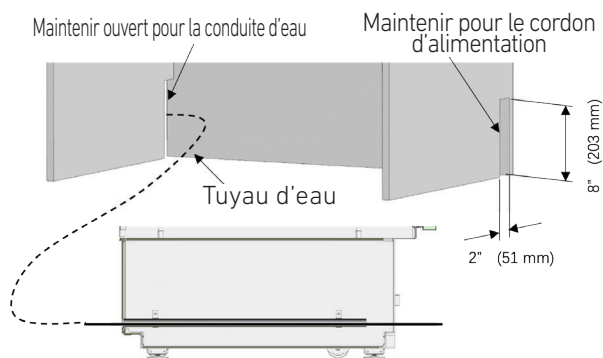
Le produit doit être connecté à une prise à 3 broches sur un circuit dédié de 15 ampères. Il convient de respecter les normes locales en matière d'électricité et de construction.

Choisissez la méthode A ou la méthode B ci-dessous pour empêcher le cordon d'alimentation de se coincer.

- Méthode A : Placez le tuyau d'eau et les connexions d'alimentation électrique à l'arrière.



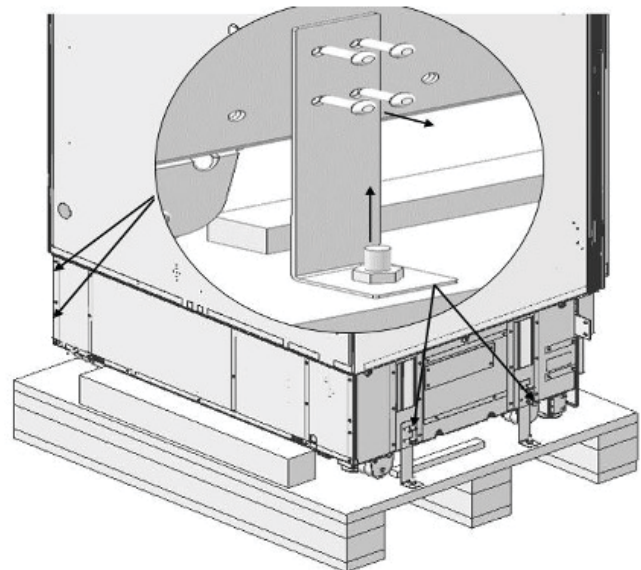
- Méthode B : Placez le tuyau d'eau et les connexions d'alimentation électrique sur le côté.



3.4 Installation dans l'armoire

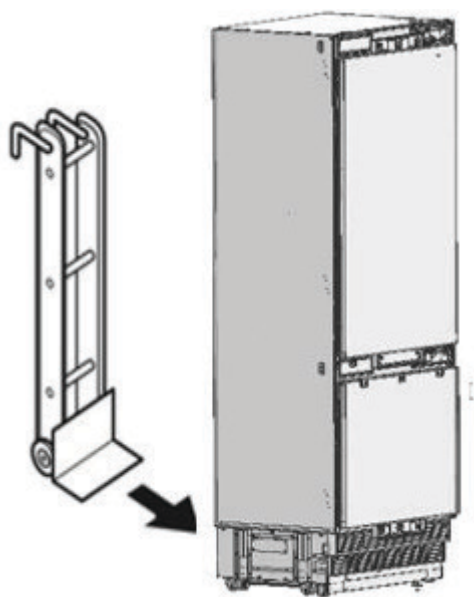
Dégagement du réfrigérateur de la palette en bois

- Retirez les supports qui fixent le réfrigérateur à la palette en bois comme indiqué ci-dessous.



- Inclinez lentement le réfrigérateur vers l'arrière et dégagez-le de la palette, en prenant soin de ne pas endommager le dessous de l'appareil. Lorsque vous transportez l'appareil, maintenez-le toujours sur les côtés pour vous assurer que les pieds de l'appareil restent sur la base du chariot de l'appareil.



**REMARQUES :**

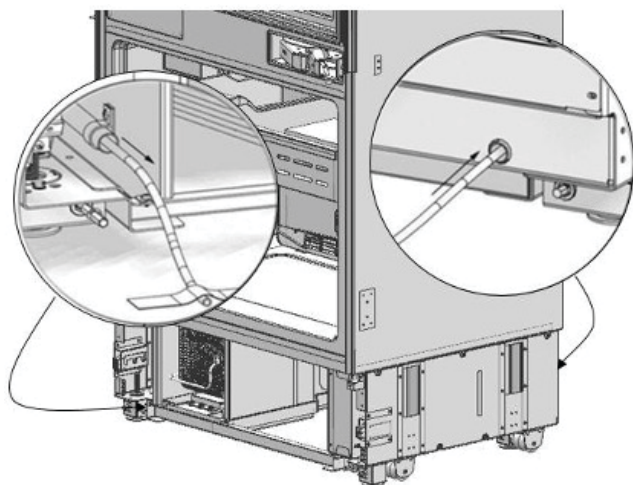
Soyez extrêmement prudent lorsque vous manipulez l'appareil, car le dessous du réfrigérateur contient des composants essentiels à son bon fonctionnement. Tout endommagement de ces composants pourrait entraîner un mauvais fonctionnement ou une fuite potentielle de condensat et des dommages aux planchers.

**MISE EN GARDE :**

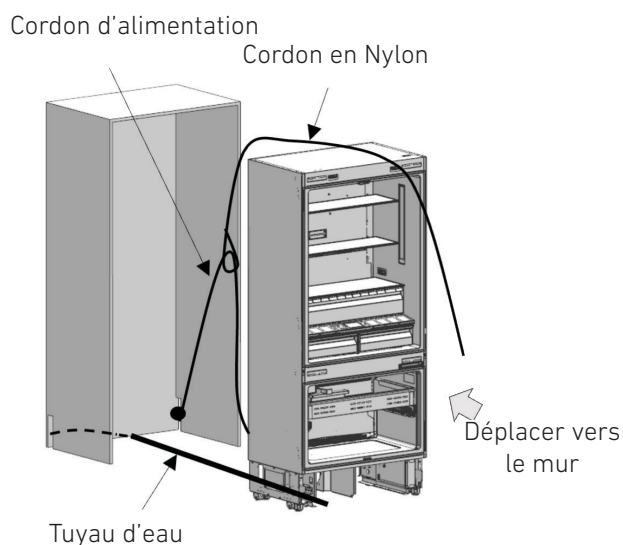
Le risque de basculement est élevé à partir de ce moment-là. Vous ne devez pas ouvrir les portes tant que le produit n'est pas installé dans l'armoire.

Mise en place du réfrigérateur dans la niche de l'armoire.

- Insérez le tuyau d'alimentation en eau dans l'orifice de conduite à l'arrière de l'appareil et tirez-le vers l'avant de l'appareil pour vous assurer que le raccordement à l'eau peut être effectué une fois l'appareil installé dans la niche.

**REMARQUES :**

Utilisez la méthode ci-dessous pour empêcher le cordon de se coincer.



Branchez la fiche électrique à la prise de courant. Allumez l'appareil pour vous assurer qu'il est alimenté. (Pour voir si le produit fonctionne, vérifiez si les lampes dans le compartiment congélateur sont allumées ou éteintes.)

**REMARQUES :**

Protégez les bords avant de la niche de l'armoire avec du ruban adhésif. Cela permettra de les protéger contre tout endommagement éventuel au moment de repousser l'appareil dans la niche. Fixez l'excédent de cordon électrique à l'arrière de l'appareil à l'aide de ruban adhésif, afin d'éviter que le mou ne s'accroche sous l'appareil pendant l'installation.

**REMARQUES :**

La fiche de l'appareil doit être accessible après l'installation. Si la fiche n'est pas accessible après l'installation, l'alimentation doit être dotée d'un disjoncteur dédié accessible pour couper l'alimentation à l'aide de l'interrupteur principal.

**AVERTISSEMENT :**

Assurez-vous que le cordon d'alimentation ne se coince pas lors de la mise en place du produit.

- Poussez délicatement le produit vers l'armoire pour le mettre en place. L'appareil devrait glisser dans la niche avec une relative facilité. Si vous ressentez une résistance en plaçant le produit dans l'armoire :

3. INSTRUCTIONS D'INSTALLATION

- Le sol peut être inégal.
- Les pieds réglables peuvent être lâches (veuillez consulter la section correspondante pour savoir comment ajuster les pieds réglables).
- Vous devez fixer temporairement la porte du congélateur pour aligner le produit avant de le positionner.

Ajuster la hauteur du réfrigérateur dans la niche

- Utilisez le mécanisme à jambe réglable pour soulever, abaisser et mettre l'unité de niveau dans la niche selon le diagramme ci-dessous.



! AVERTISSEMENT :

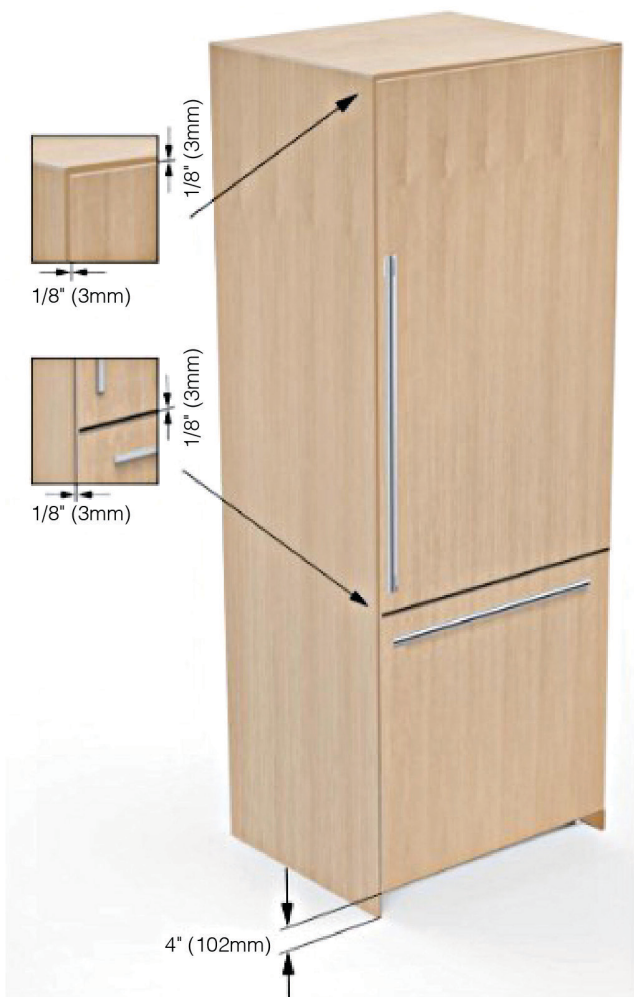
Une fois que l'appareil est poussé dans la niche, levez d'abord les pieds avant. Cela réduira le risque de basculement vers l'avant de l'unité pendant le processus de réglage de la hauteur.

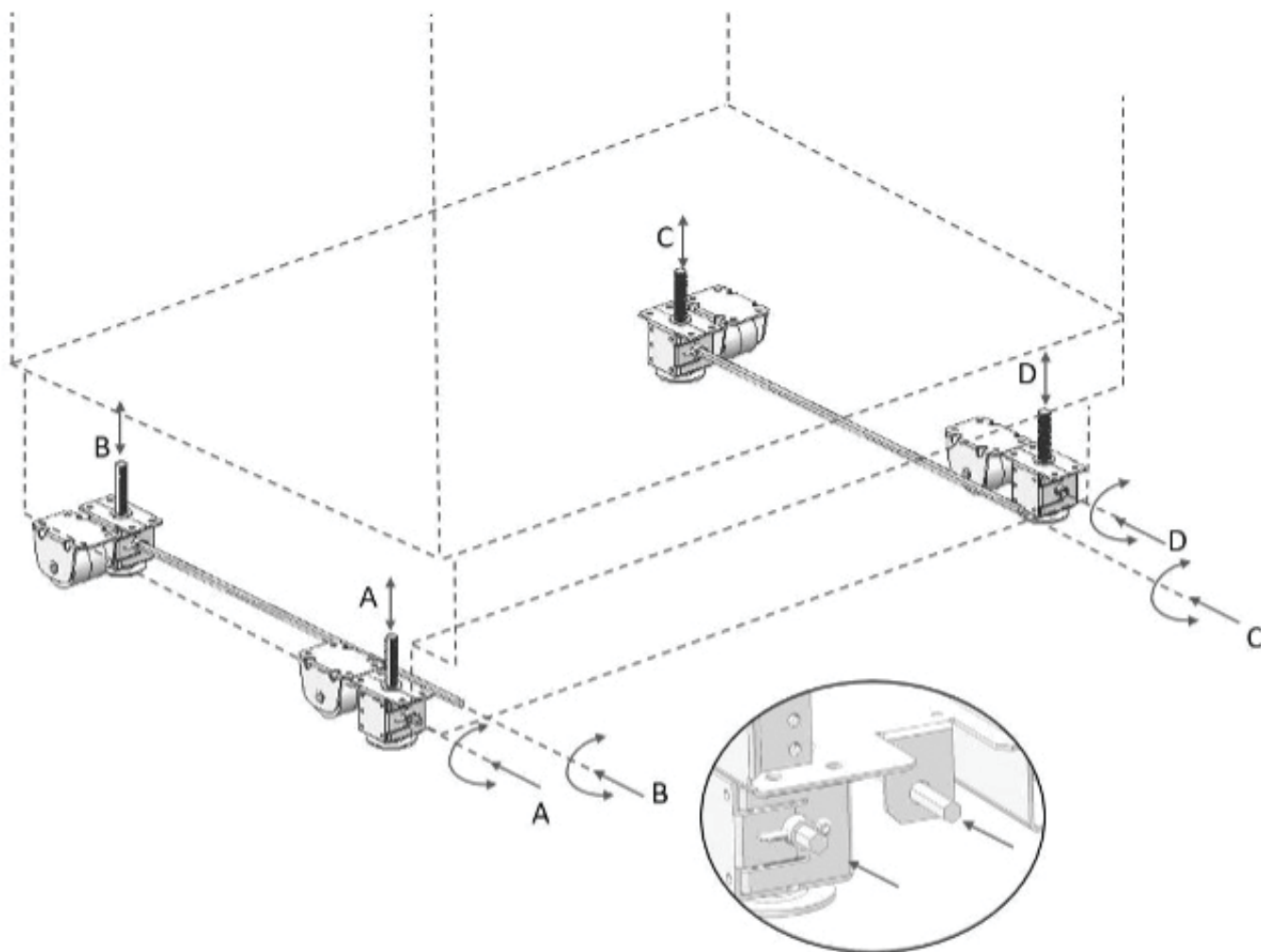
La hauteur maximale que les pieds réglables peuvent atteindre est de 1 9/16" (40 mm).



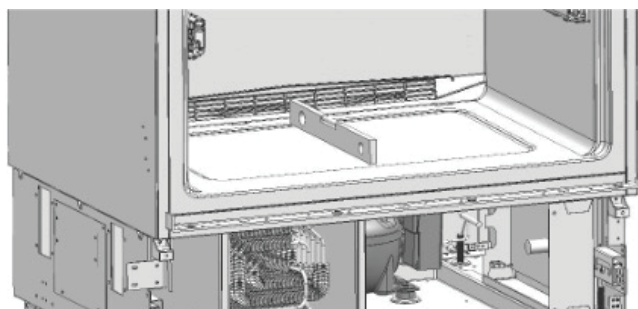
REMARQUES :

Utilisez les bords supérieurs des portes du réfrigérateur et du congélateur pour aligner l'unité dans l'ouverture de la niche. Le réglage des autres bords est expliqué dans les pages suivantes.





A/D – Tournez la tige de réglage dans le sens des aiguilles d’une montre pour soulever l’avant
 B/C – Tournez la tige de réglage dans le sens des aiguilles d’une montre pour soulever l’arrière

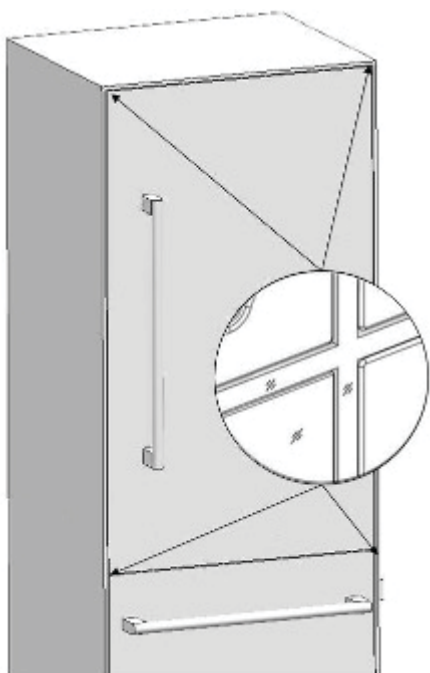


- Après avoir réglé les pieds réglables, vérifiez que l’appareil est de niveau d’un côté par rapport à l’autre et de l’arrière par rapport à l’avant en plaçant un niveau sur le plancher du compartiment congélateur (le tiroir doit être retiré pour cela).

Réglage du réfrigérateur en fonction de la niche de l’armoire.

- Pour les produits avec portes à panneaux en acier inoxydable fournies, ajustez la position de l’unité de manière à ce que la porte et la surface de l’armoire soient affleurantes et qu’une distance minimale de 1/8” des panneaux et côtés de l’armoire soit garantie.

3. INSTRUCTIONS D'INSTALLATION



- Pour les unités prêtes à l'emploi, le réfrigérateur doit être installé à une profondeur qui tient compte de l'épaisseur du panneau de recouvrement personnalisé, afin d'assurer une installation affleurante, au besoin.

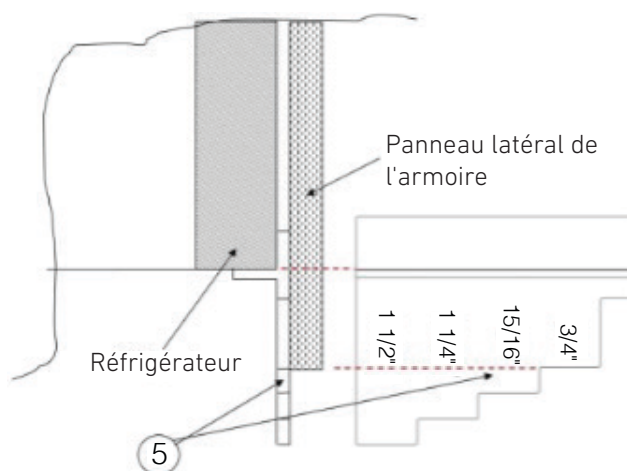
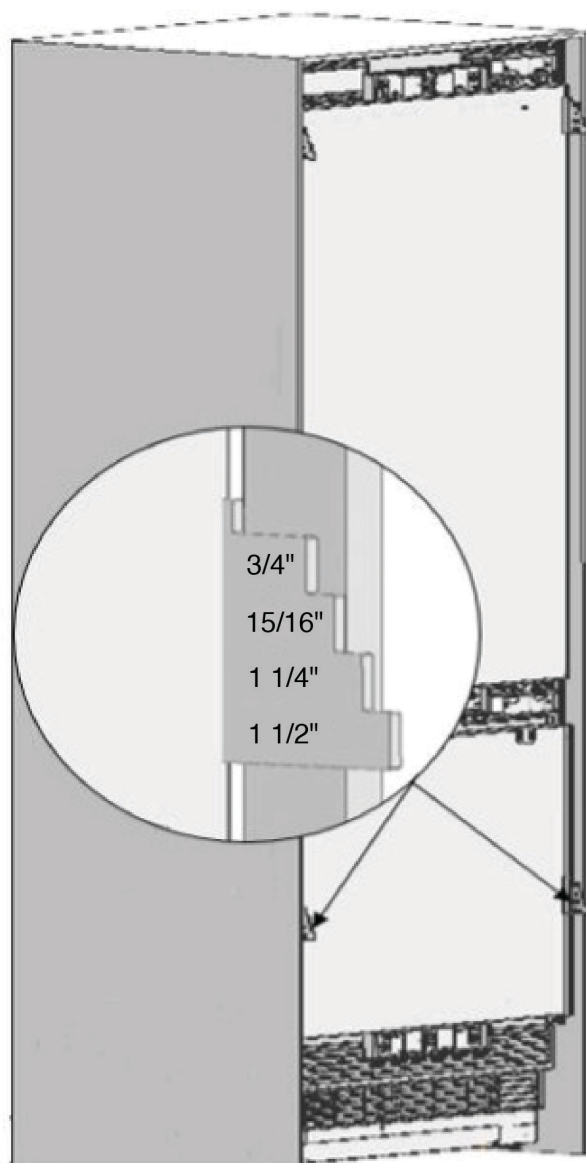
REMARQUES :

Il est important d'aligner le bord supérieur du tiroir du congélateur lors de l'alignement de l'appareil, car sa hauteur et sa position sont fixes. Tous les autres panneaux peuvent être ajustés à l'aide des mécanismes de réglage intégrés au matériel de montage. Comme indiqué ci-dessous, un outil de modèle de profondeur d'installation est fourni pour votre commodité.

- Ajustez la position de l'élément de réglage du niveau (n° 5) en fonction de l'épaisseur de votre panneau de porte. La pièce n° 5 facilite l'alignement de l'unité sur les armoires latérales pour 4 épaisseurs de panneau de porte différentes.

AVERTISSEMENT :

Sur le modèle à montage inférieur de porte française REF36FDBZPNV/24, seuls des panneaux d'une épaisseur allant jusqu'à 3/4" (19 mm) peuvent être montés



**REMARQUES :**

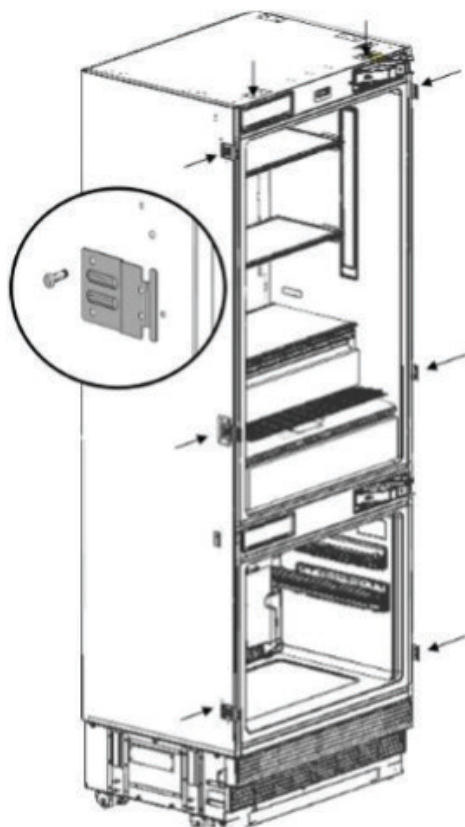
La niche doit être conçue pour s'adapter à l'exigence de profondeur minimale et loger le panneau de porte plus épais, si nécessaire. Quelle que soit l'épaisseur de la porte, le poids maximal des panneaux doit toujours être respecté, sinon la garantie du produit sera annulée.

VISSAGE DES SUPPORTS LATÉRAUX

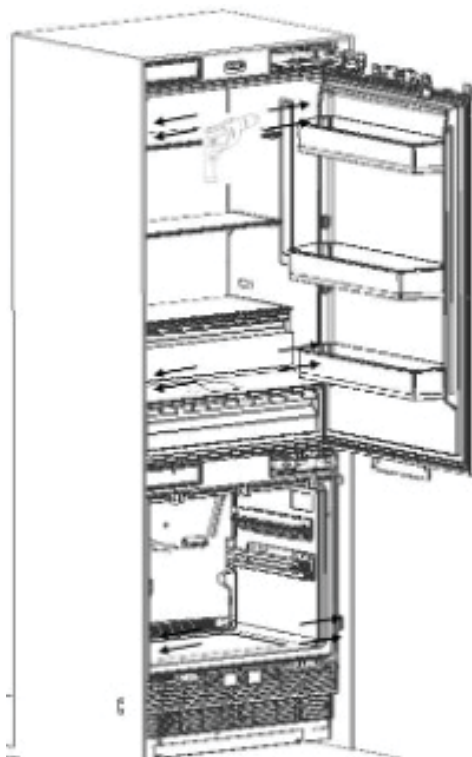
- Montez les supports latéraux (n° 12) sur l'appareil, 2 sur le dessus et 3 de chaque côté. Utilisez des vis (n° 11) pour chaque support pour les serrer en place.

**AVERTISSEMENT :**

Avant de visser les supports latéraux dans les pignons de l'armoire, vérifiez que la vis est plus courte que l'épaisseur du pignon, sinon le côté fini pourrait être endommagé. Avant de commencer à visser les supports latéraux et supérieurs, vérifiez que l'appareil est branché à l'alimentation, que de l'eau (le cas échéant) est fournie à l'appareil et que le raccord d'eau a été testé pour détecter toute fuite éventuelle.

**REMARQUES :**

Le perçage d'un trou pilote dans le pignon latéral comme référence pourrait faciliter le processus de montage.



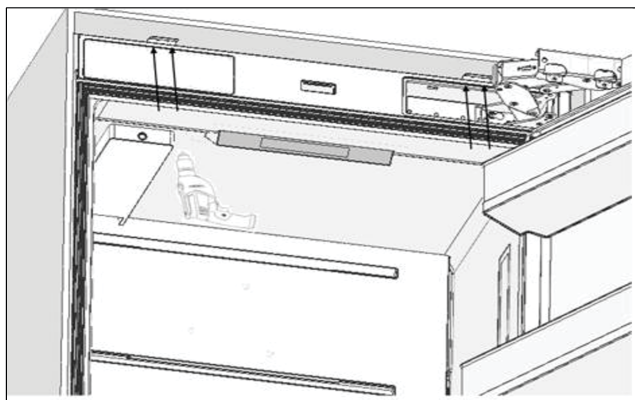
- Utilisez 16 vis (n° 13) pour assembler les supports à l'armoire.

**REMARQUES :**

Le perçage d'un trou pilote dans le pignon latéral comme référence pourrait faciliter le processus de montage.



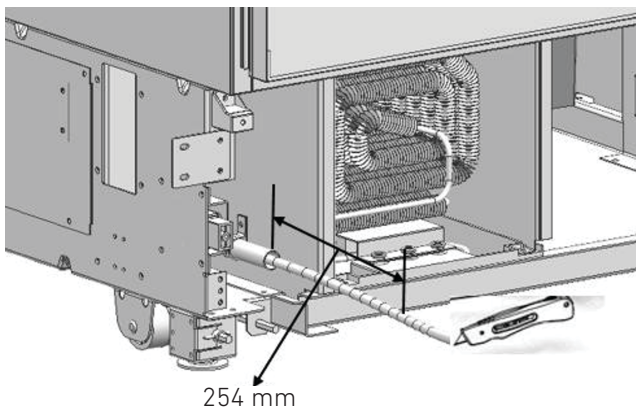
3. INSTRUCTIONS D'INSTALLATION



INSTALLATION DE L'ARMOIRE INFÉRIEURE

Achèvement du raccordement à l'eau

- À l'aide d'un cutter, coupez toute longueur de ligne d'eau excessive, en laissant un mou suffisant de 10" (254 mm) pour assurer une courbure facile et un raccordement net, sans tension ni plis potentiels dans la conduite d'alimentation rattachée au connecteur.



- Utilisez 2 clés pour raccorder fermement à la fois le tuyau qui part de l'alimentation et le raccordement à la vanne du réfrigérateur.

! AVERTISSEMENT :

Le tuyau qui part de l'alimentation en eau doit être d'une seule pièce. N'utilisez pas de tuyaux d'extension

! AVERTISSEMENT :

Assurez-vous que l'alimentation est coupée lors de la réalisation du raccordement à l'eau de l'appareil.

! AVERTISSEMENT :

La vanne d'eau doit être fermée lors du raccordement du tuyau d'eau.

! AVERTISSEMENT :

Il est recommandé de maintenir la valve d'eau accessible après l'installation du produit.

! AVERTISSEMENT :

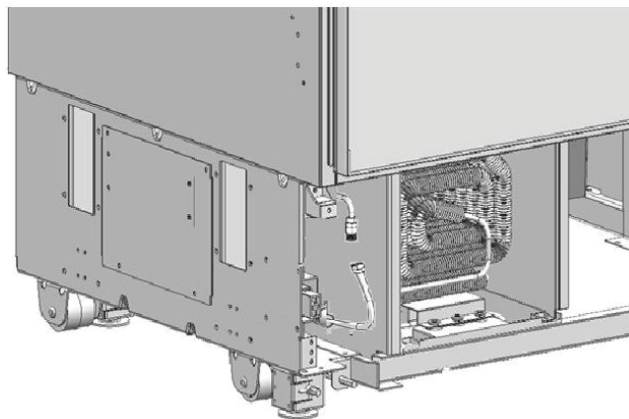
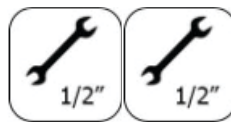
Cet appareil doit être utilisé uniquement avec une alimentation en eau potable froide.

! AVERTISSEMENT :

La pression du système d'approvisionnement en eau doit être comprise entre 25 et 80 psi (1,7 à 5,5 bars).

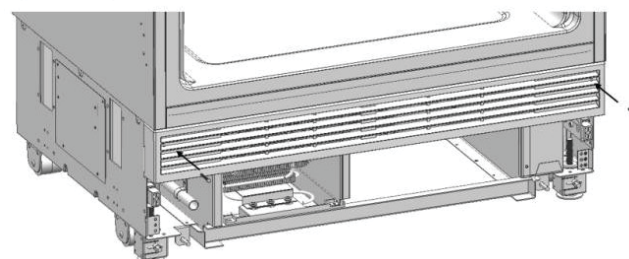
📎 REMARQUES :

Une fois la connexion terminée, vous devez ouvrir la vanne d'eau et vous assurer qu'il n'y a pas de fuite.



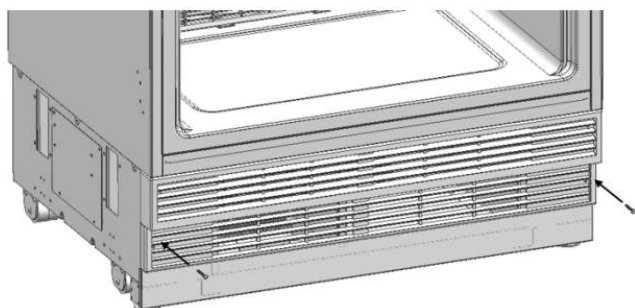
FIXATION DU COMPOSANT SUPÉRIEUR DE L'OUVERTURE DE VENTILATION

- Utilisez 2 vis pour fixer le composant de l'ouverture de ventilation supérieure.



FIXATION DE L'ENSEMBLE D'OUVERTURE DE VENTILATION INFÉRIEURE

- Utilisez 2 vis pour fixer le composant de l'ouverture de ventilation inférieure.



REMARQUES :

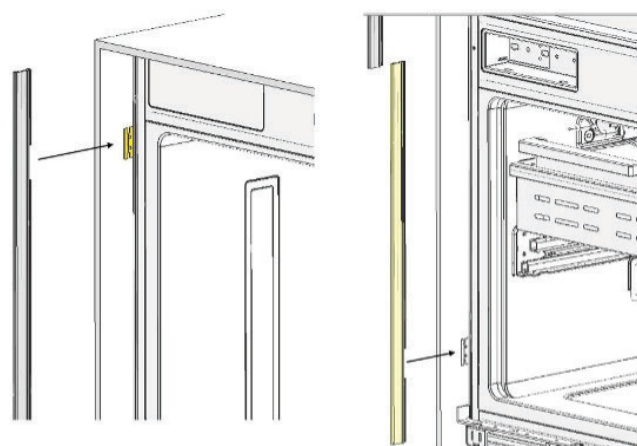
La grille inférieure peut être ajustée pour accueillir la plinthe coup-de-pied de l'armoire. En outre, un élément de matériau décoratif de plinthe coup-de-pied peut être fixé à la grille inférieure pour s'assortir aux armoires, à condition qu'il n'y ait pas d'obstruction à la ventilation des grilles et à la circulation de l'air.

AVERTISSEMENT :

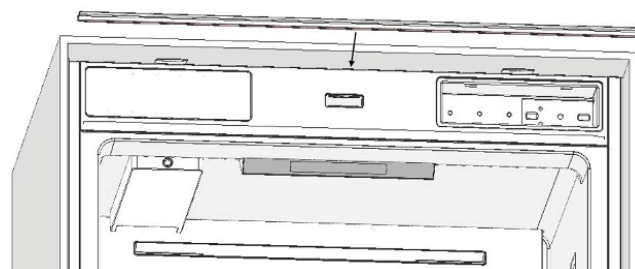
Si vous installez une plinthe coup-de-pied monobloc sur le devant du réfrigérateur, vous devez vérifier que l'air circule librement et que les grilles de ventilation ne sont pas obstruées.

FIXATION DES REVÊTEMENTS DE GARNITURE

- La garniture latérale décorative est un matériau plastique souple avec une extrémité barbelée destinée à être insérée entre l'armoire latérale et le corps de l'appareil (n° 1), sur les supports de connexion droite/gauche. Un certain ajustage peut être nécessaire pour s'assurer que les éléments de garniture peuvent s'adapter autour des supports. L'épaisseur de l'extrémité barbelée peut également nécessiter un rognage en fonction de la largeur de l'espace entre le corps latéral et le pignon de l'armoire.



- Poussez la garniture supérieure (n° 4) sur le support de connexion supérieur.



3.5 Installation et préparation des panneaux de recouvrement

Cette section contient des informations sur la préparation des portes d'armoire et leur montage sur le produit.

AVERTISSEMENT :

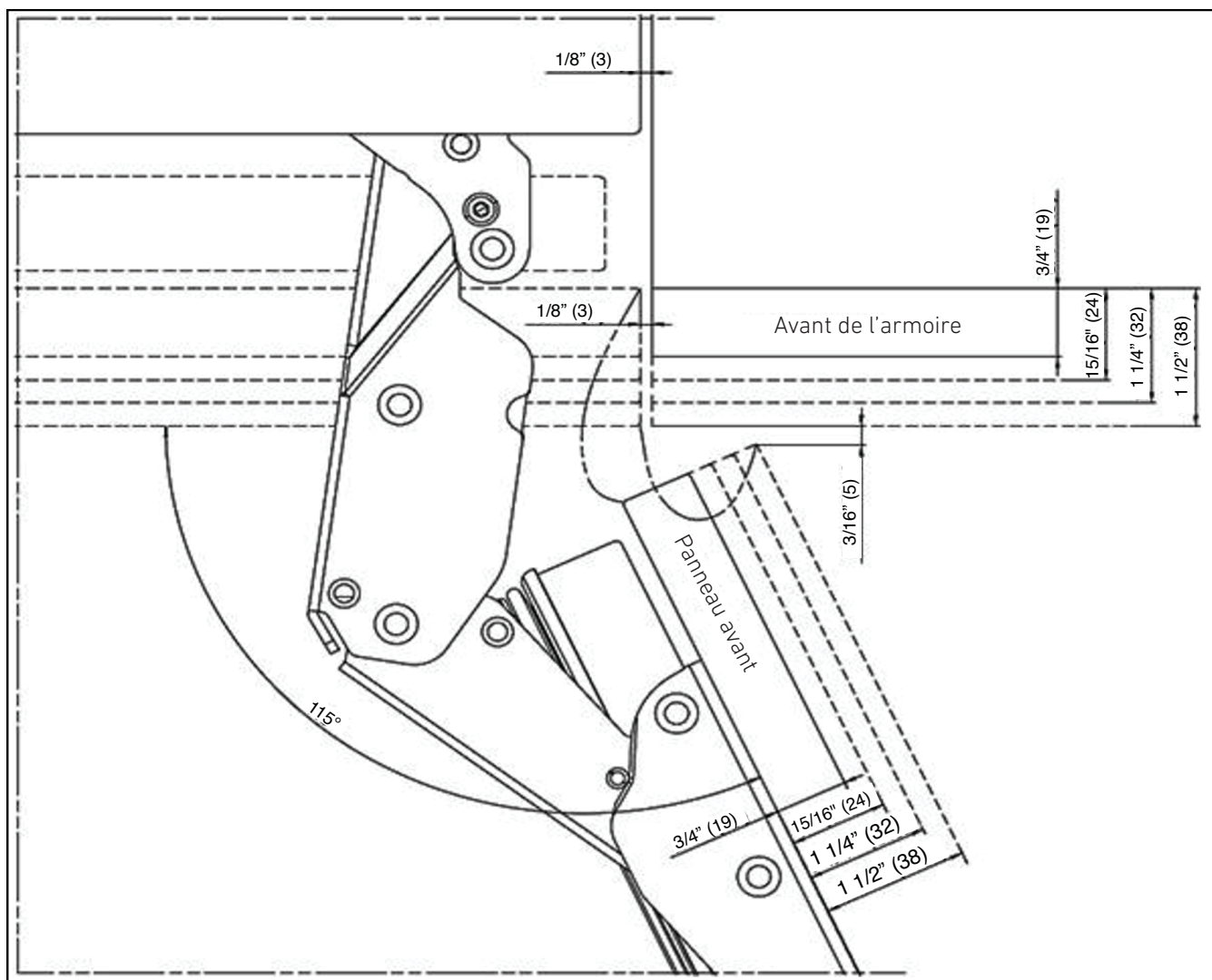
Les poids maximaux des panneaux à monter sur l'unité sont les suivants :

Porte de réfrigérateur à montage inférieur : 35 lbs (16 kg)

Portes de réfrigérateur à portes françaises : 44 lbs (20 kg)

Porte de congélateur : 20 lbs (9 kg)

3. INSTRUCTIONS D'INSTALLATION



CHOIX DE L'ÉPAISSEUR DE LA PORTE

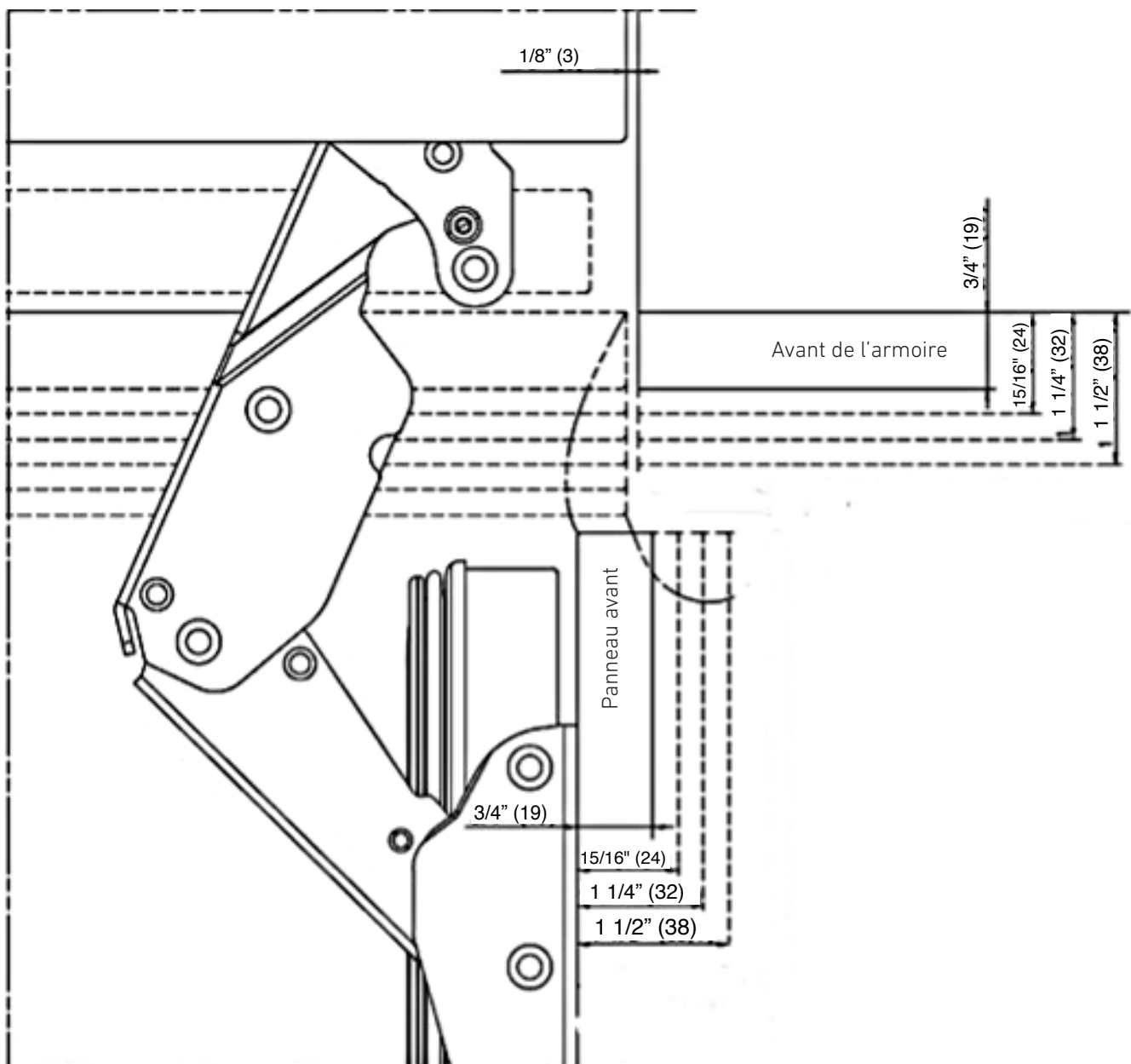
- La porte de votre réfrigérateur peut s'ouvrir à 115° maximum. Si vous voulez que les portes s'ouvrent à ce degré, vous pouvez choisir parmi les épaisseurs indiquées dans l'image ci-dessus pour tous les réfrigérateurs à 2 portes à montage inférieur. Pour le montage inférieur de porte française à 3 portes, la seule épaisseur disponible est de 19 mm (3/4").

Un axe de butée (n° 6) est fourni avec l'appareil pour empêcher la porte de s'ouvrir au-delà de 90° si nécessaire. Il peut être installé sur la charnière. Les tolérances d'épaisseur de porte lors de l'utilisation de l'axe de butée sont indiquées dans le diagramme ci-dessous.



AVERTISSEMENT :

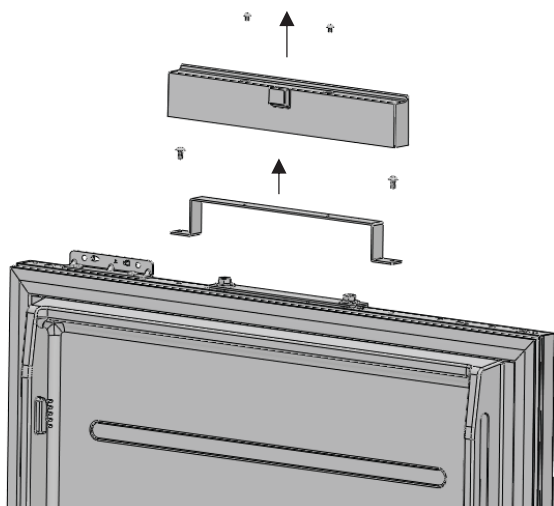
Si l'épaisseur de la porte est supérieure à 1 1/2" (38 mm), la porte ne doit pas s'ouvrir à plus de 90°. Vous devez utiliser un axe de butée sur la charnière.



3. INSTRUCTIONS D'INSTALLATION

RETRAIT DES COUVERCLES DU MÉCANISME DES PANNEAUX DE REVÊTEMENT

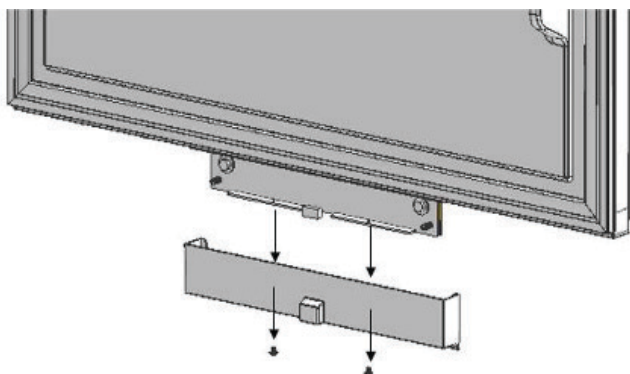
- Retirez les vis supérieures pour déposer le capot supérieur.



! AVERTISSEMENT :

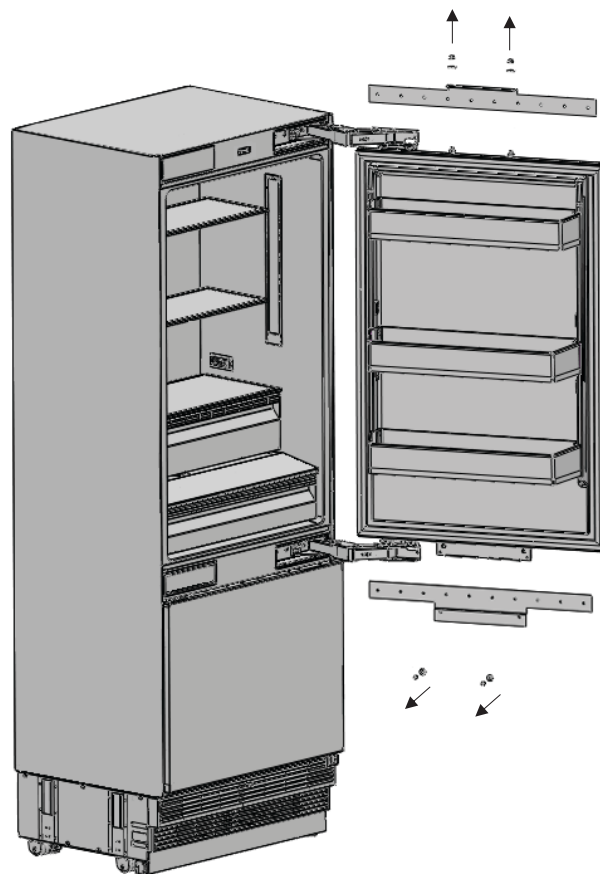
Il y a un aimant sur le support de suspension de la porte couvrante. Il s'agit d'un composant fonctionnel pour le fonctionnement du produit, car il active l'interrupteur reed d'ouverture de porte. Veuillez vous assurer que les couvercles ne sont pas commutés. Remettez-les sur leur support respectif. L'aimant ne doit pas être commuté avec le couvercle inférieur.

- Retirez les deux vis pour déposer le support de suspension de la porte couvrante pour le couvercle inférieur du mécanisme.



RETRAIT DES SUPPORTS DE PANNEAU

- Retirez les supports de montage des panneaux inférieur et supérieur réglables des mécanismes de réglage du panneau de porte du réfrigérateur, comme indiqué ci-dessous.



- Retirez les couvercles des mécanismes de réglage du panneau de la partie inférieure de la porte du congélateur, ainsi que les supports de montage du panneau.

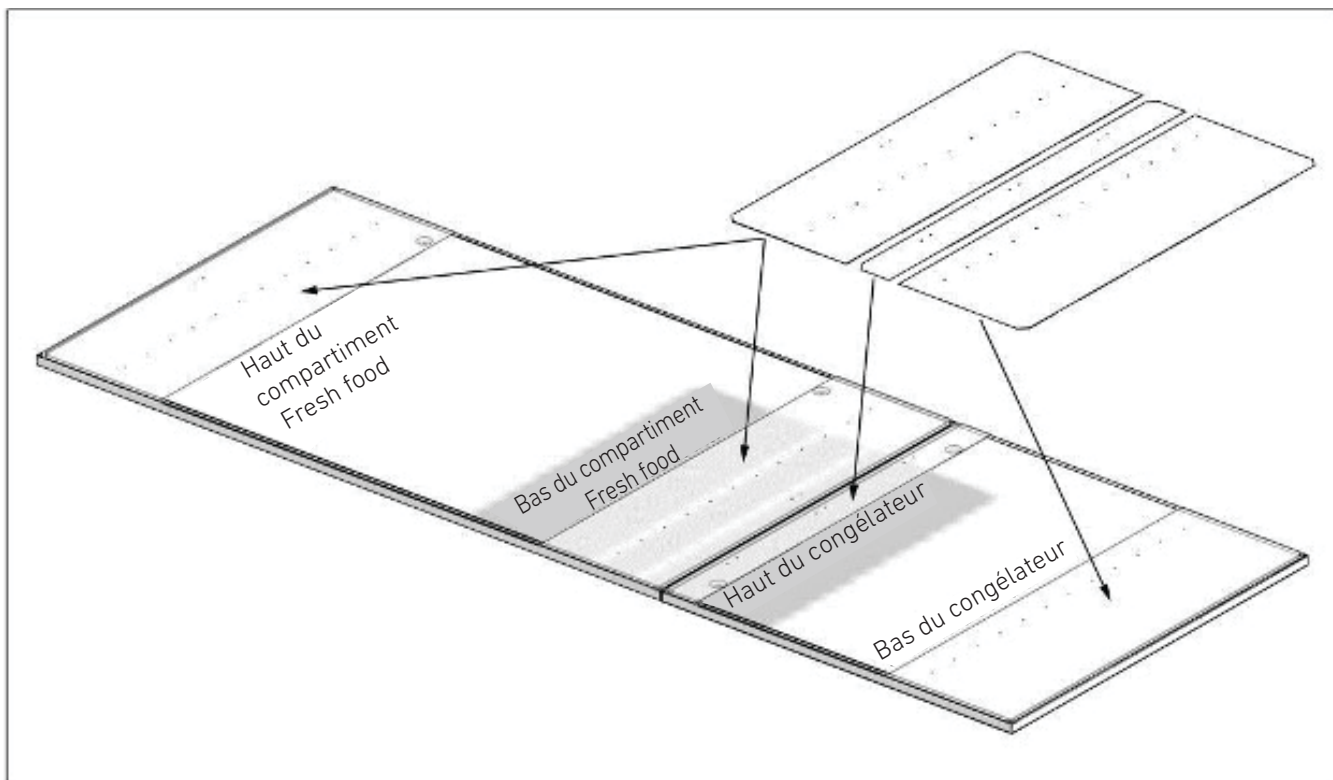


PRÉPARATION DES PANNEAUX DE REVÊTEMENT



REMARQUES :

Il est conseillé de tenir compte des dimensions des deux panneaux et de l'emplacement de montage lors de la disposition des supports de panneau sur les panneaux de recouvrement (porte de l'armoire). Lors du marquage, vous pouvez utiliser le gabarit de préparation du panneau de porte/tiroir (n° 1) fourni avec le produit.



AVERTISSEMENT :

Les trous de montage de la poignée devront être adaptés en fonction des poignées à utiliser dans le style de la cuisine.

3. INSTRUCTIONS D'INSTALLATION



AVERTISSEMENT :

L'épaisseur minimale de la porte doit être de 3/4" (19 mm).



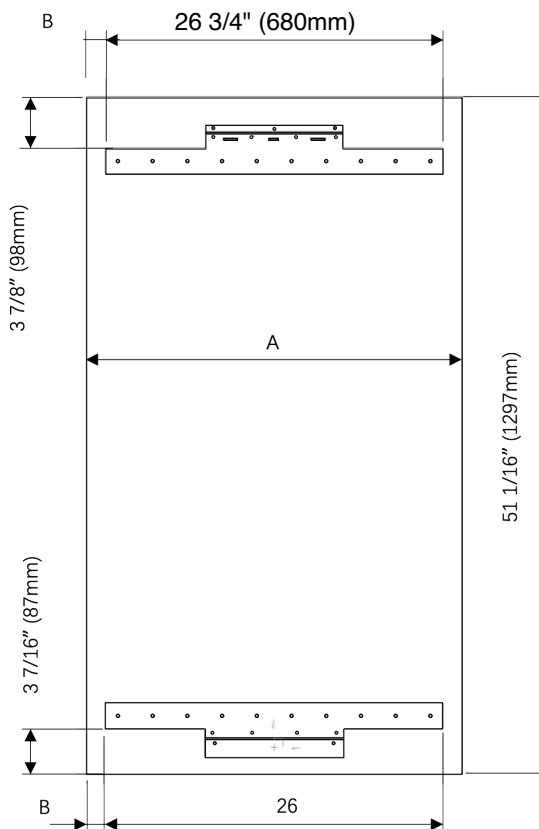
AVERTISSEMENT :

Sur le modèle à montage inférieur de porte française REF36FDBZPNV/24, seuls des panneaux d'une épaisseur allant jusqu'à 3/4" (19 mm) peuvent être montés

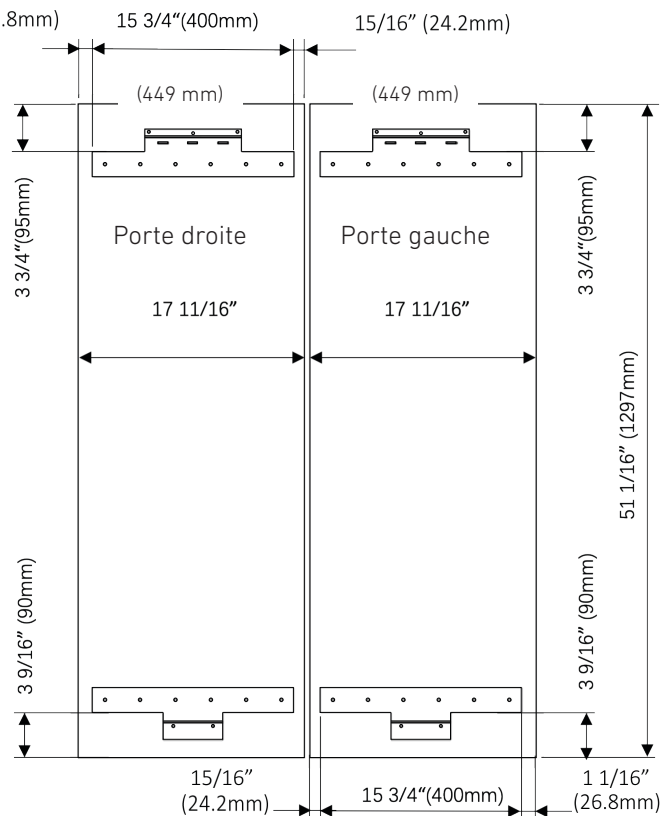
PRÉPARATION DU PANNEAU DE PORTE DU RÉFRIGÉRATEUR

Catégorie	Support inférieur intégré de 30"	Support inférieur intégré de 36"
A	29 3/4" (756 mm)	35 3/4" (908 mm)
B	1 1/2" (38 mm)	4 1/2" (114 mm)

SUPPORT INFÉRIEUR INTÉGRÉ DE 30" ET 36"



PORTE FRANÇAISE INTÉGRÉE DE 36"

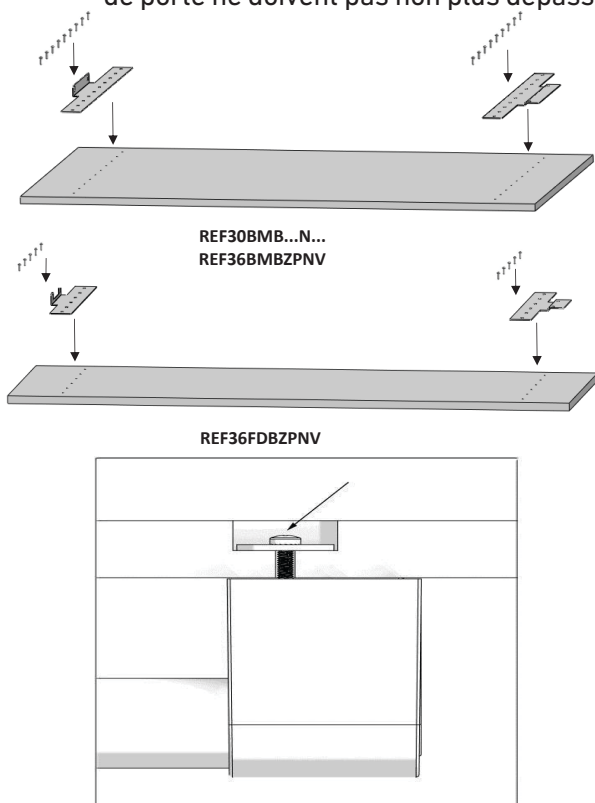


AVERTISSEMENT :

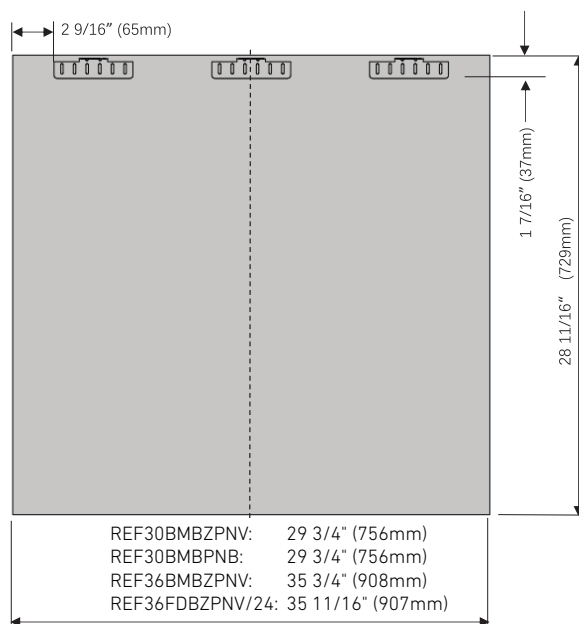
- Pour éviter d'endommager la surface finie du panneau, utilisez des vis adaptées à l'épaisseur du panneau de porte.
- Installez les supports de panneau à l'aide de vis (n° 18). Vous pouvez également utiliser le gabarit (n° 1) fourni avec le produit pour aligner ces éléments. Il est

recommandé de conserver ce gabarit pour toute référence future.

- La languette d'accrochage de la porte du réfrigérateur et le mécanisme supérieur de la porte du réfrigérateur doivent se trouver sur la partie supérieure de la porte.
- Fixez la poignée de porte au panneau de porte supérieur avant d'installer le panneau sur le réfrigérateur. Utilisez une poignée dont le matériau assurera une connexion solide au panneau et qui sera affleurante ou, en tout cas, qui ne dépassera pas de l'arrière du panneau de revêtement. Cela peut nécessiter un fraisage du matériau de la poignée à l'arrière du panneau, comme indiqué ci-dessous. Les vis de montage de la poignée de porte ne doivent pas non plus dépasser.



PRÉPARATION DU PANNEAU DU TIROIR DU CONGÉLATEUR



AVERTISSEMENT :
Les trous de montage de la poignée devront être adaptés en fonction des poignées à utiliser dans le style de la cuisine.

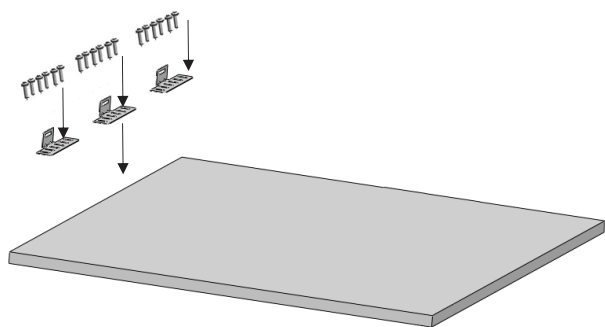
AVERTISSEMENT :
L'épaisseur minimale de la porte doit être de 3/4" (19 mm).

AVERTISSEMENT :
Sur le modèle à montage inférieur de porte française REF36FDBZPNV/24, seuls des panneaux d'une épaisseur allant jusqu'à 3/4" (19 mm) peuvent être montés

AVERTISSEMENT :
Pour éviter d'endommager la surface finie du panneau, utilisez des vis adaptées à l'épaisseur de la porte.

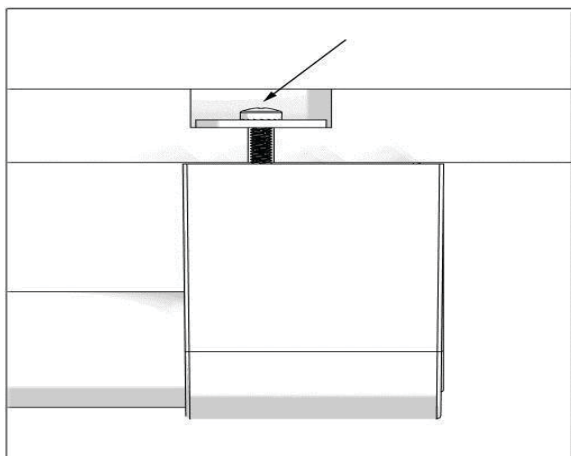
- Fixez les 3 supports métalliques en « L » de la suspension de porte du congélateur (n° 9) à l'aide de 6 vis (n° 10) et d'une vis (n° 8) pour chacun.

3. INSTRUCTIONS D'INSTALLATION



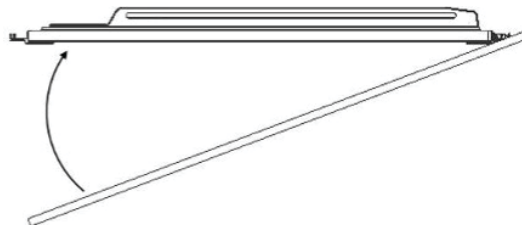
- Fixez la poignée de porte au panneau avant d'installer le panneau sur le congélateur. Utilisez une poignée dont le matériau assurera une connexion solide au panneau et qui sera affleurante ou, en tout cas, qui ne dépassera pas de l'arrière du panneau de revêtement. Cela peut nécessiter un fraisage du matériau de la poignée à l'arrière du panneau.

Les vis de montage de la poignée de porte ne doivent pas non plus dépasser.



INSTALLATION DU PANNEAU DE PORTE DU RÉFRIGÉRATEUR

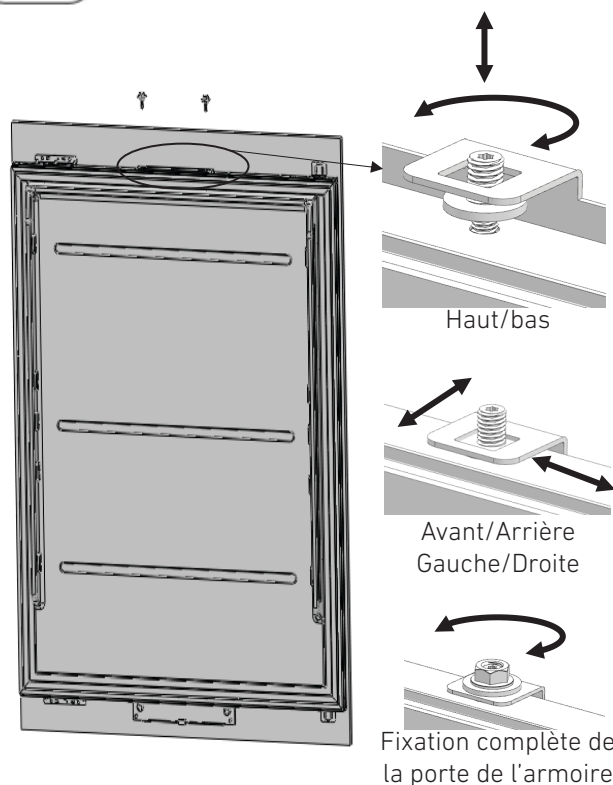
1. Fixez la porte de l'armoire à la porte du réfrigérateur.



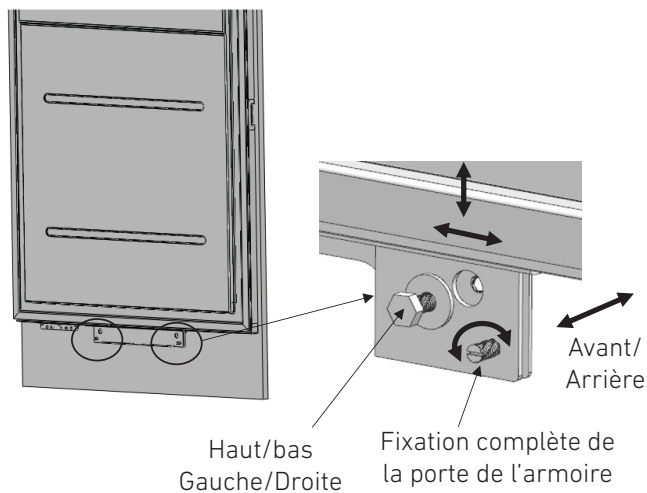
COMMENT ALIGNER LA PORTE DU RÉFRIGÉRATEUR AVEC DES BOULONS.

Les portes des meubles de cuisine doivent être alignées. Pour ce faire, vous devez ajuster la direction 3D à l'aide de deux boulons de fixation pour effectuer des réglages précis. Tout d'abord, vérifiez la position des portes de meubles groupées par rapport aux meubles de cuisine. Les distances entre les meubles doivent être de 1/8" (3 mm), en supposant que les dimensions des meubles sont correctes. Vous pouvez effectuer des réglages de porte en fonction de cette distance.

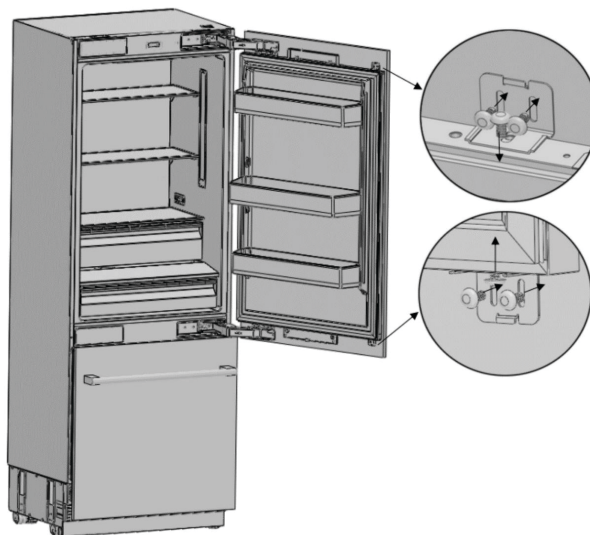
- Comment aligner la partie supérieure de la porte du meuble avec des boulons.



- Comment aligner la partie inférieure de la porte du meuble avec des boulons.

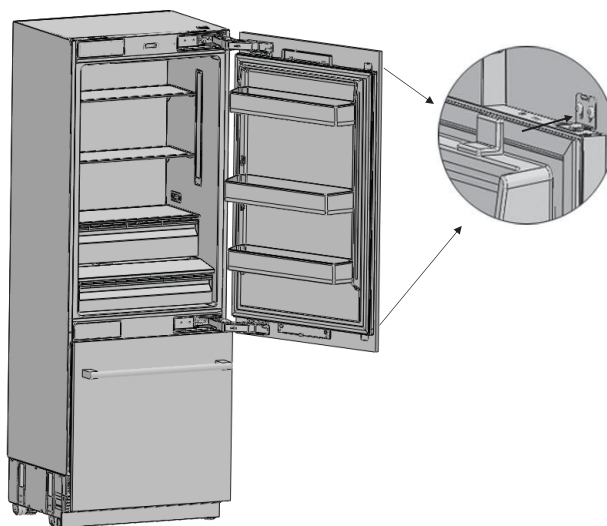


- Utilisez le support de connexion de meuble porte-porte (article n° 16) pour unir la porte du meuble
- Utilisez 1 support de fixation de porte à vis (article n° 15) pour fixer sur la porte.
- Utilisez 2 vis (article n° 17) pour fixer sur la porte du meuble



REF30BMB...N...
REF36BMBZPNV

- Clipsez le support de porte du meuble de couverture (article n° 14).



REF30BMB...N...
REF36BMBZPNV

3. INSTRUCTIONS D'INSTALLATION

- Fixez et vissez le couvercle de décoration supérieur/inférieur.



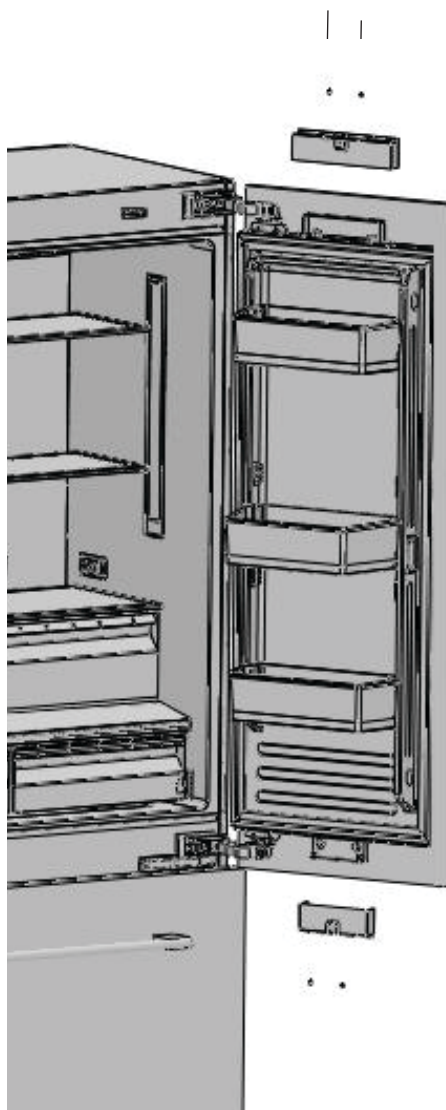
REF30BMB...N...
REF36BMBZPNV

! **AVERTISSEMENT :**
Il y a un aimant sur la partie supérieure du support de suspension de la porte couvrante.

! **AVERTISSEMENT :**
Il s'agit d'une partie fonctionnelle pour le fonctionnement du produit.

! **AVERTISSEMENT :**
Il ne faut pas le confondre avec le couvercle inférieur.

- Fixez et vissez le couvercle de décoration supérieur/inférieur.



REF36FDBZPNV/24

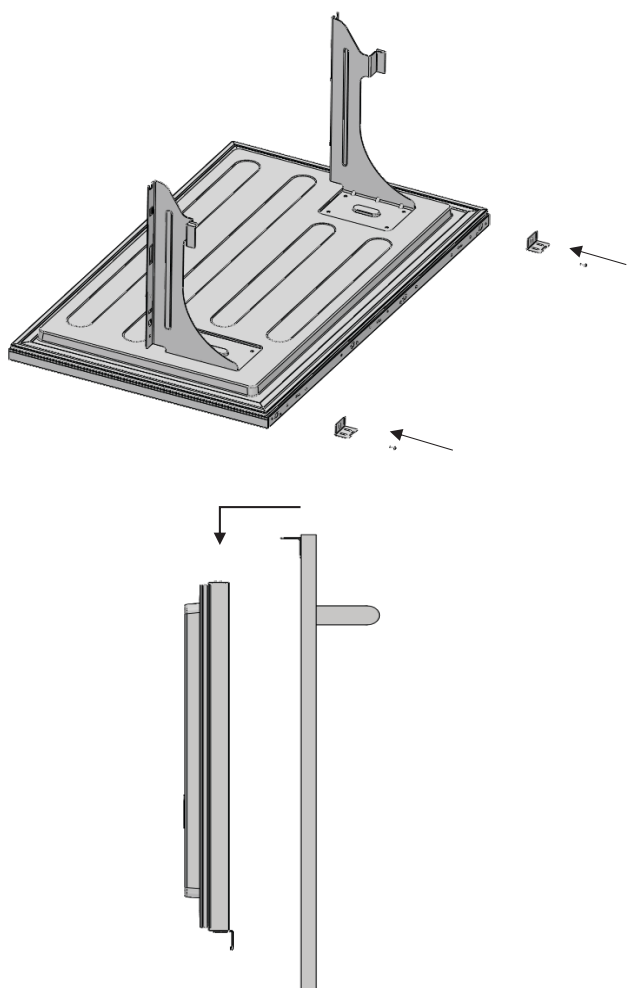
! **AVERTISSEMENT :**
Il y a un aimant sur la partie supérieure du support de suspension de la porte couvrante.

! **AVERTISSEMENT :**
Il s'agit d'une partie fonctionnelle pour le fonctionnement du produit.

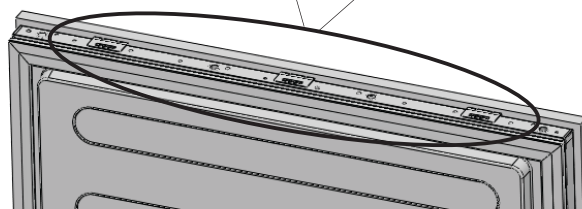
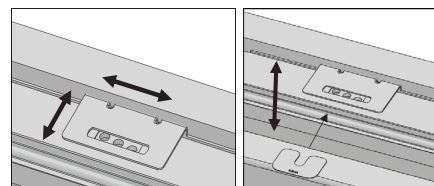
! **AVERTISSEMENT :**
Il ne faut pas le confondre avec le couvercle inférieur.

INSTALLATION DE LA PORTE DU MEUBLE DE CONGÉLATION

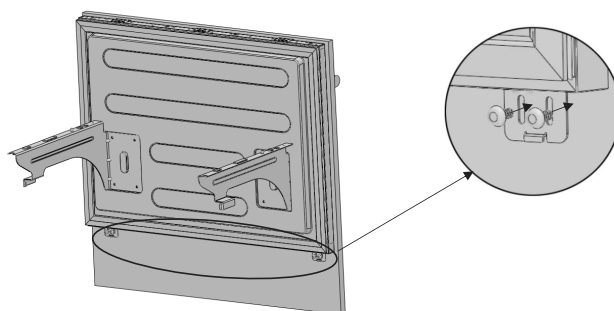
- Fixez le support de connexion du meuble porte-porte (article n° 16) sur la partie inférieure de la porte avec le support de fixation de porte à vis (article n° 15)



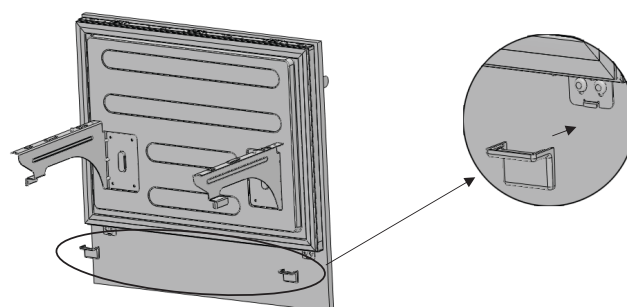
- Alignez la porte du meuble du tiroir du congélateur avec la rondelle d'ajustement (n° 7).



- Utilisez 2 vis (article n° 17) pour fixer sur la porte du meuble



- Clipsez le support de porte du meuble de couverture (article n° 14).

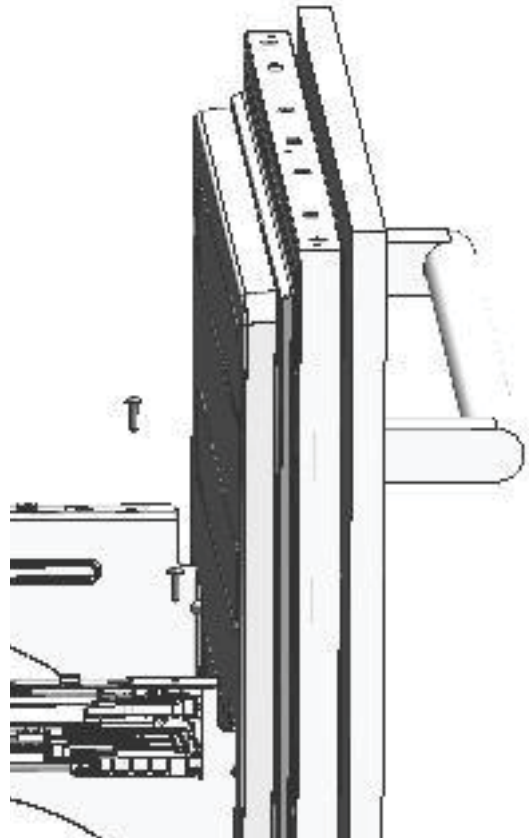
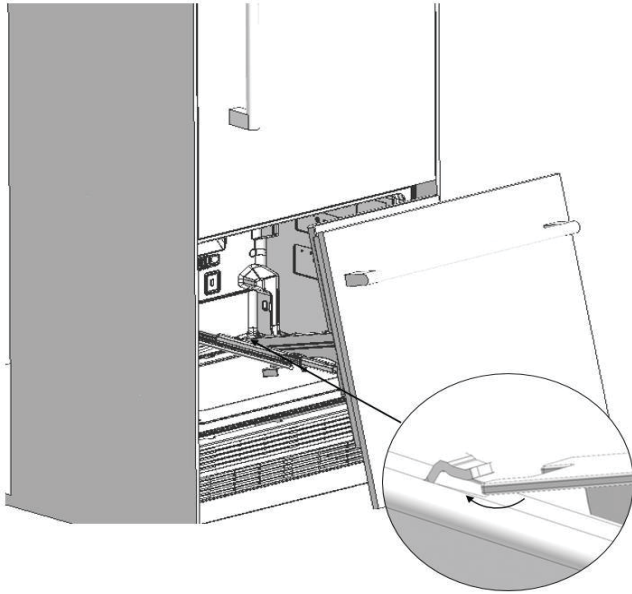


3. INSTRUCTIONS D'INSTALLATION

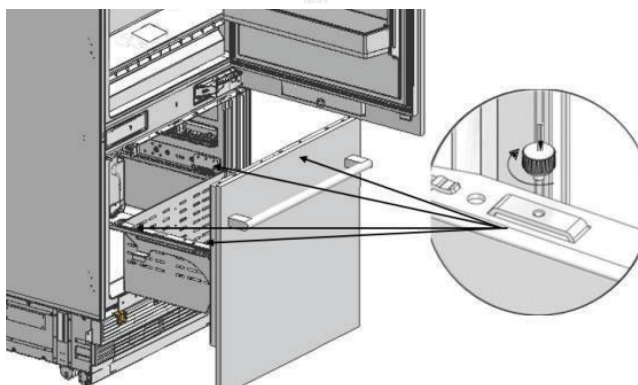
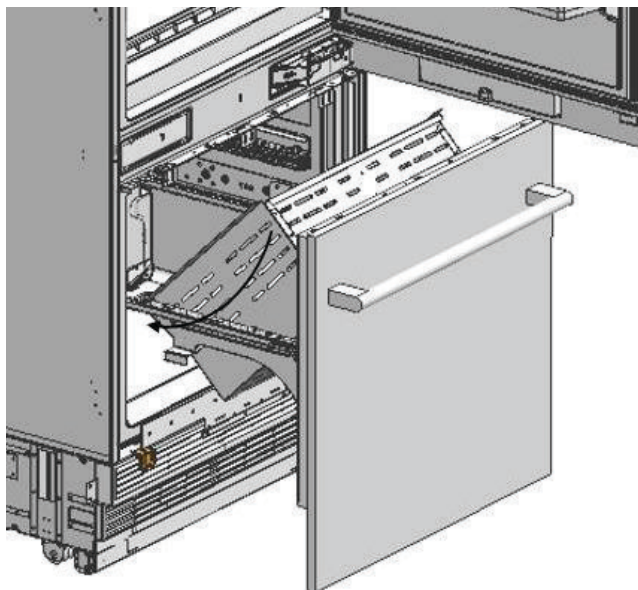
! **AVERTISSEMENT :**
Conservez ces pièces pour toute utilisation future. Vous en aurez besoin si vous souhaitez changer le sens d'ouverture de la porte.

- Installez l'ensemble de la porte du meuble du congélateur sur les rails.

- Fixez l'ensemble de la porte du meuble du congélateur sur les rails avec 2 vis.

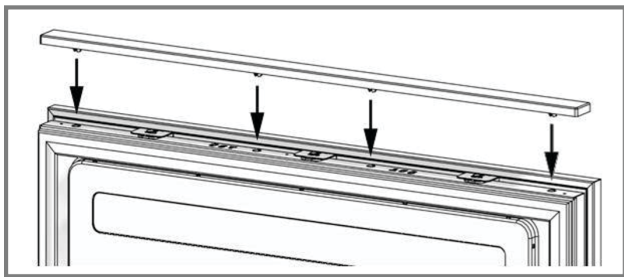


- Placez le tiroir sur le rail et serrez les vis

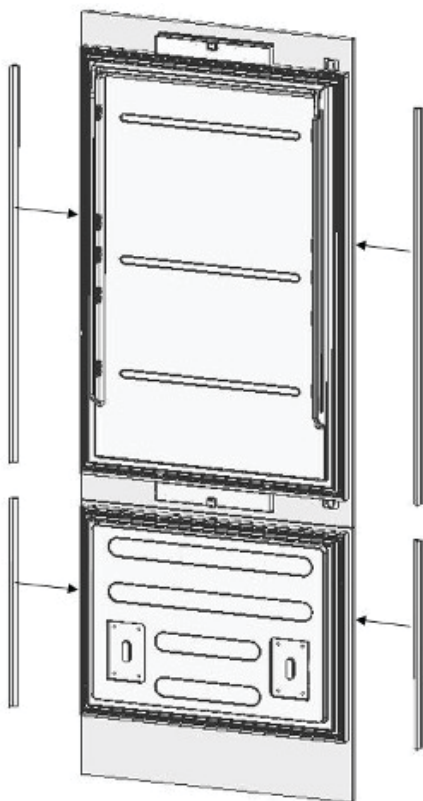
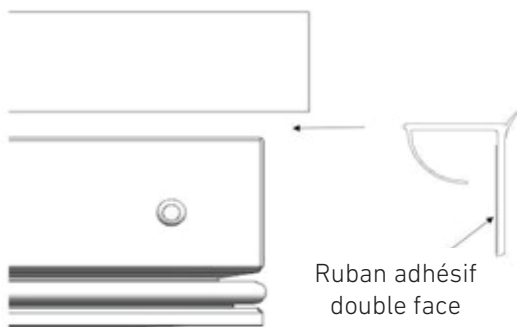


- Fixez le dessus de la porte de congélation du couvercle (élément n° 5) à l'aide des languettes.

3. INSTRUCTIONS D'INSTALLATION



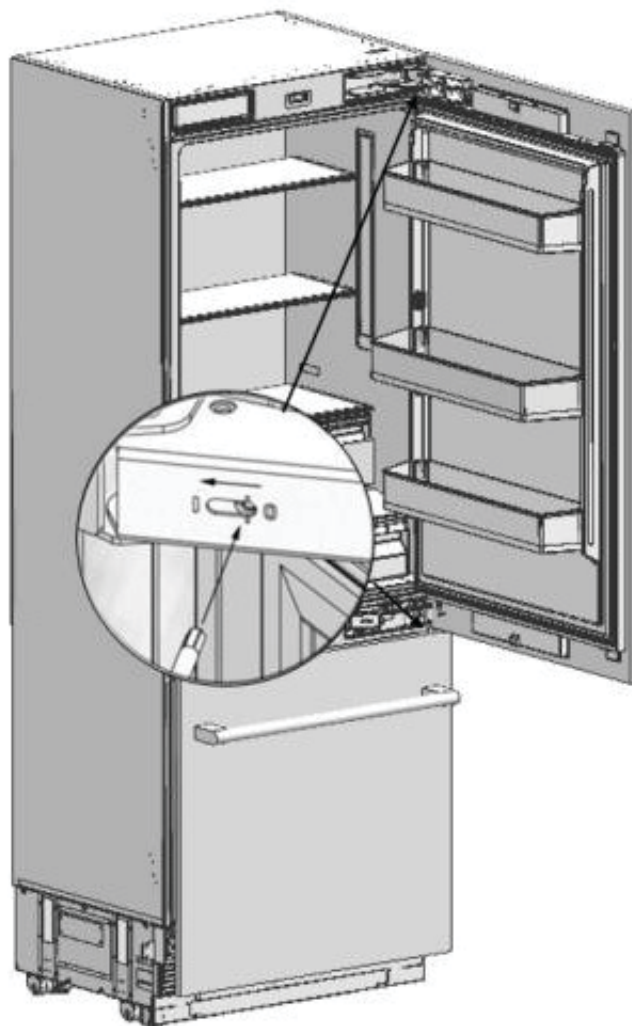
- Fixez les joints décoratifs des garnitures latérales (n° 2) et (n° 3). Remarque : les pièces de garniture latérales peuvent nécessiter une découpe si l'espace est trop petit pour leur permettre d'être enfoncées ; une certaine force peut être nécessaire. Retirez le film protecteur du ruban adhésif double face pour fixer la garniture à la face avant de l'armoire du réfrigérateur.



3.6 Réglage de la charnière et inversion du sens d'ouverture de la porte

RÉGLAGE DE LA TENSION DU RESSORT DES CHARNIÈRES

- Utilisez une perceuse pour ajuster la tension des charnières supérieures et inférieures de la porte du réfrigérateur. Placez la vis de réglage de la charnière sur la position « I » à partir de la position « 0 ».

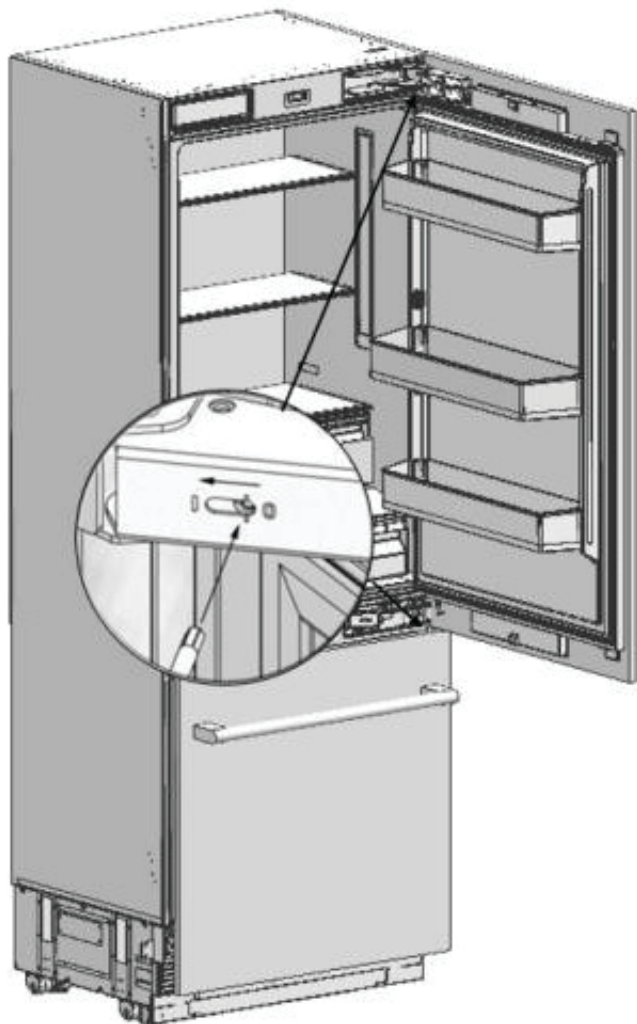


AVERTISSEMENT :
La porte doit être complètement ouverte pendant que vous effectuez ce réglage.

AVERTISSEMENT :
Le réglage de la tension de la charnière ne doit être effectué qu'après avoir réglé le panneau de porte.

INVERSION DU BATTEMENT DE LA PORTE

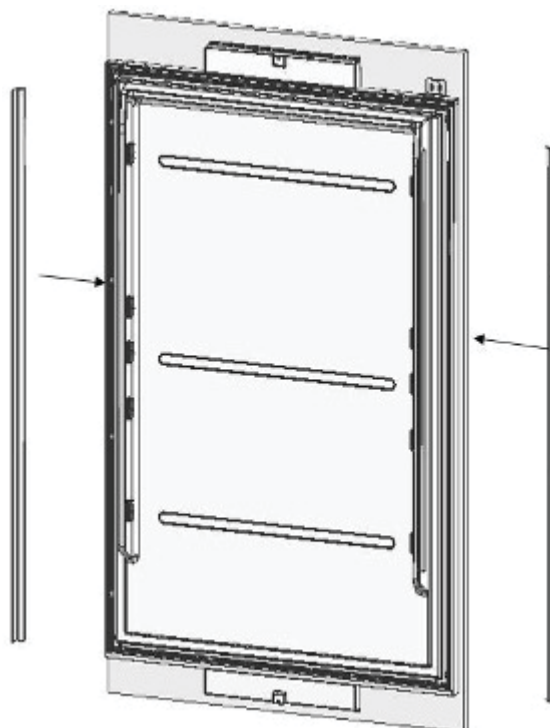
- Réglez le niveau de tension de la charnière sur « 0 ».



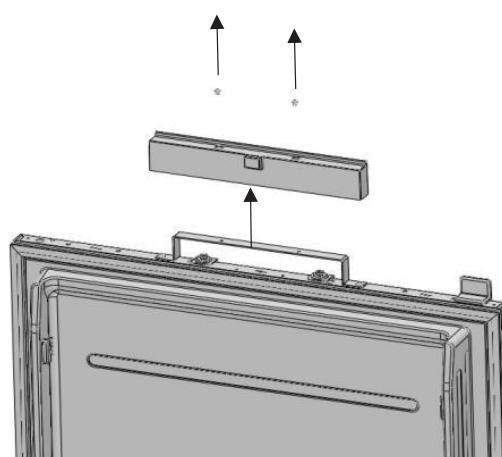
MISE EN GARDE :

Si vous omettez de régler la charnière sur « 0 » avant de poursuivre l'installation, cela peut entraîner des blessures.

- Retirez les joints de fermeture latéraux.



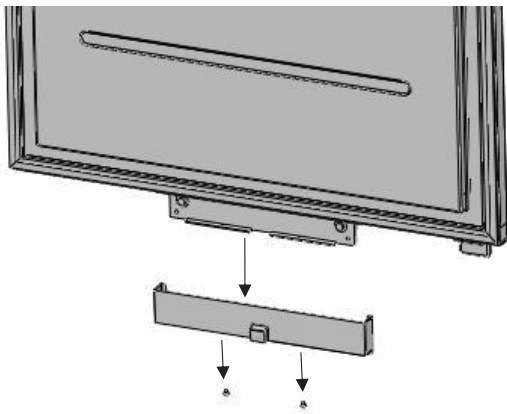
- Desserrez les 2 vis du couvercle supérieur de la porte du réfrigérateur et déposez-le.
- Retirez les kits de réglage supérieurs.



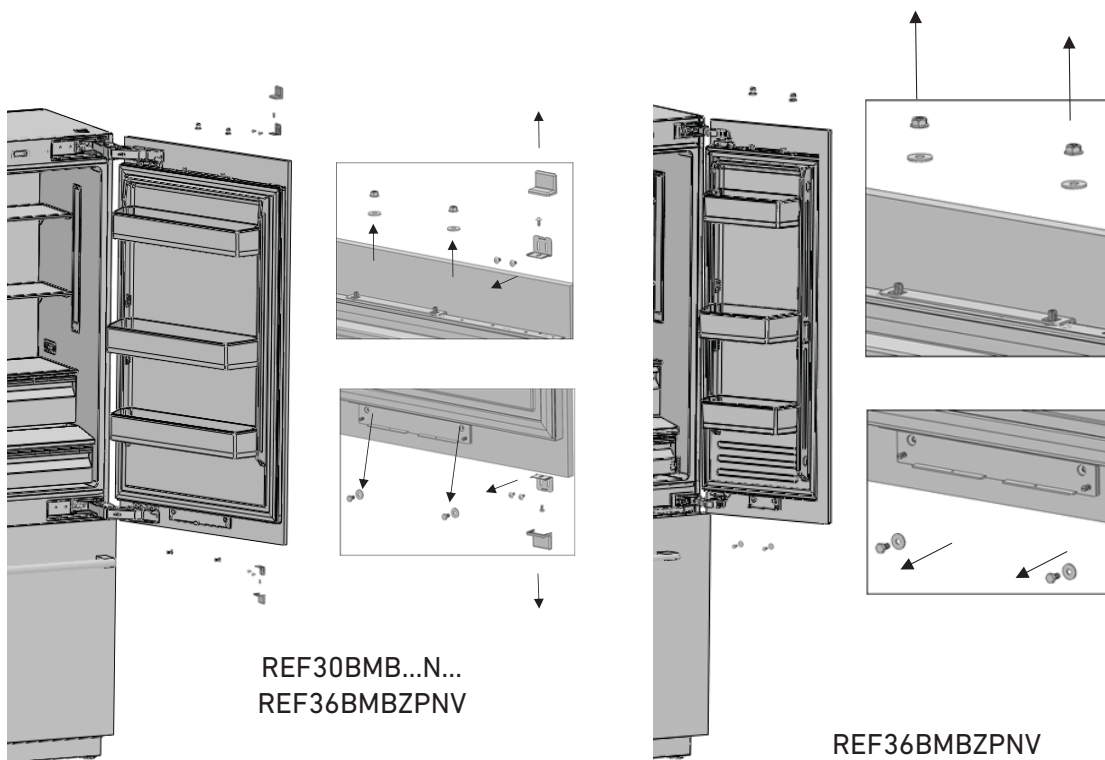
- Desserrez les 2 vis du couvercle inférieur de la porte du réfrigérateur et déposez-le.



3. INSTRUCTIONS D'INSTALLATION



- Retirez les vis des supports inférieur et supérieur du réfrigérateur.



- Retirez la vis du mécanisme supérieur et inférieur du réfrigérateur.



AVERTISSEMENT :

Le panneau de porte du réfrigérateur se détachera lorsque ces vis auront été retirées.

Il est nécessaire de veiller à ce que la porte ne tombe pas.

Pour ce faire, collez la porte de l'armoire à la porte intérieure à l'aide de ruban adhésif ou demandez à une deuxième personne de vous aider.

- Retirez la porte de l'armoire du réfrigérateur et posez-la à l'envers sur un plan de travail.
- Vous devez fixer la porte de l'armoire en la tournant de 180° par rapport à sa position actuelle.

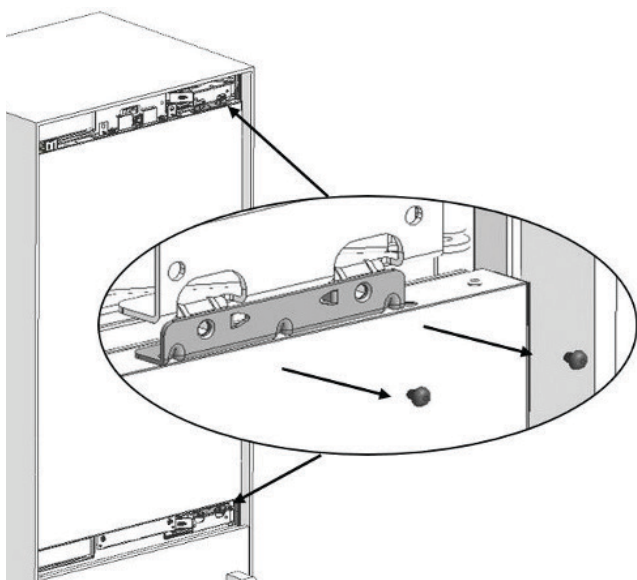
- Retirez les vis de connexion de la charnière des supports de charnière.



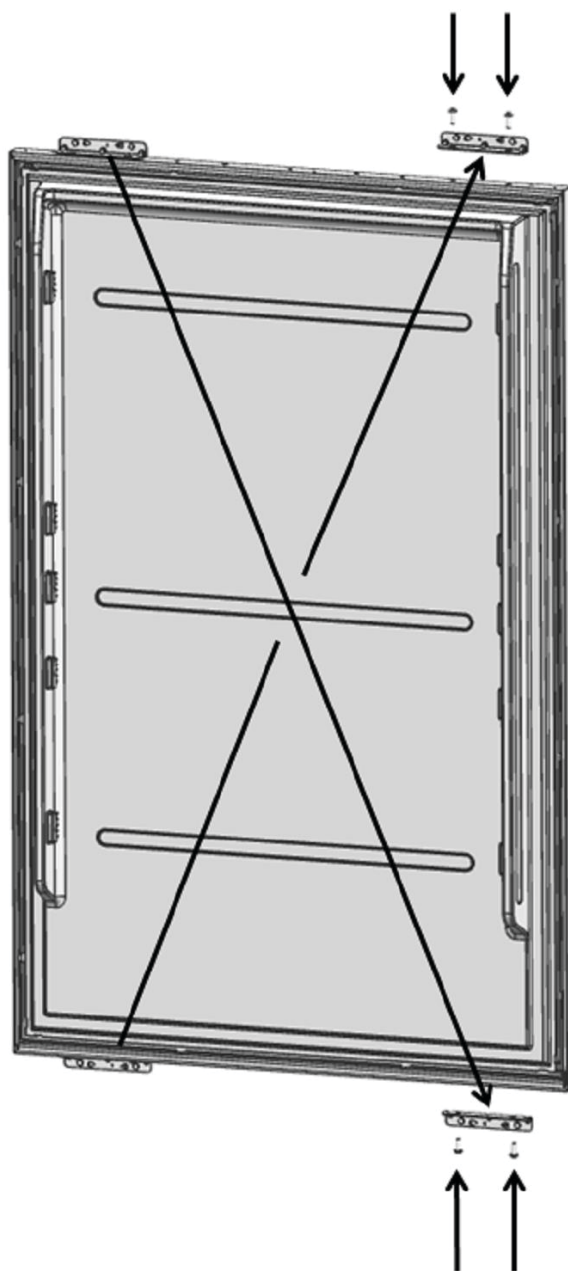
MISE EN GARDE :

La porte se détachera lorsque ces vis auront été retirées. Il est nécessaire de veiller à ce que la porte ne tombe pas.

Pour ce faire, collez la porte de l'armoire à la porte intérieure à l'aide de ruban adhésif ou demandez à une deuxième personne de vous aider.

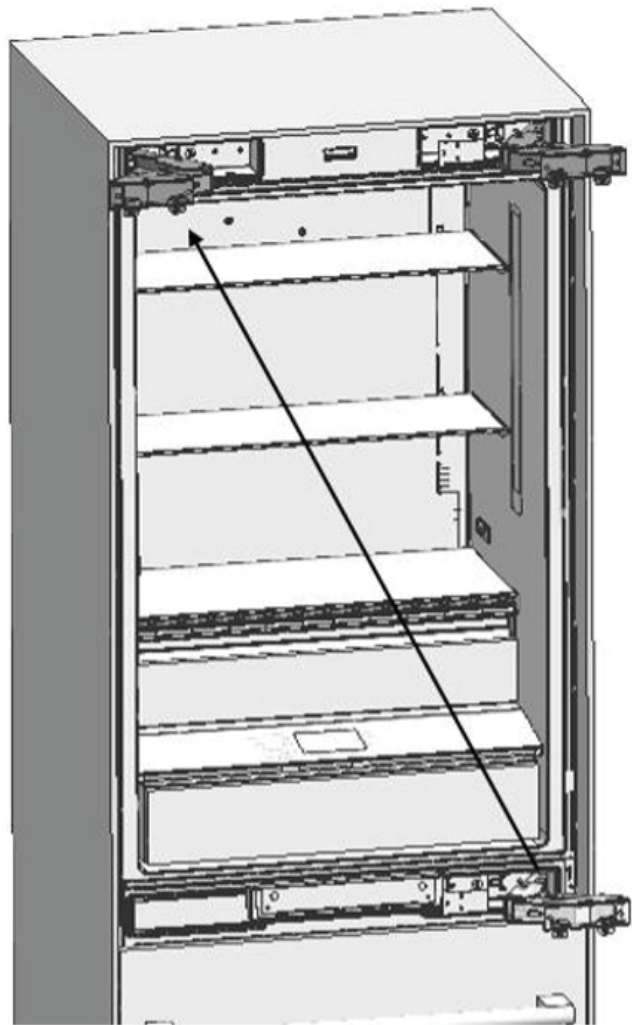
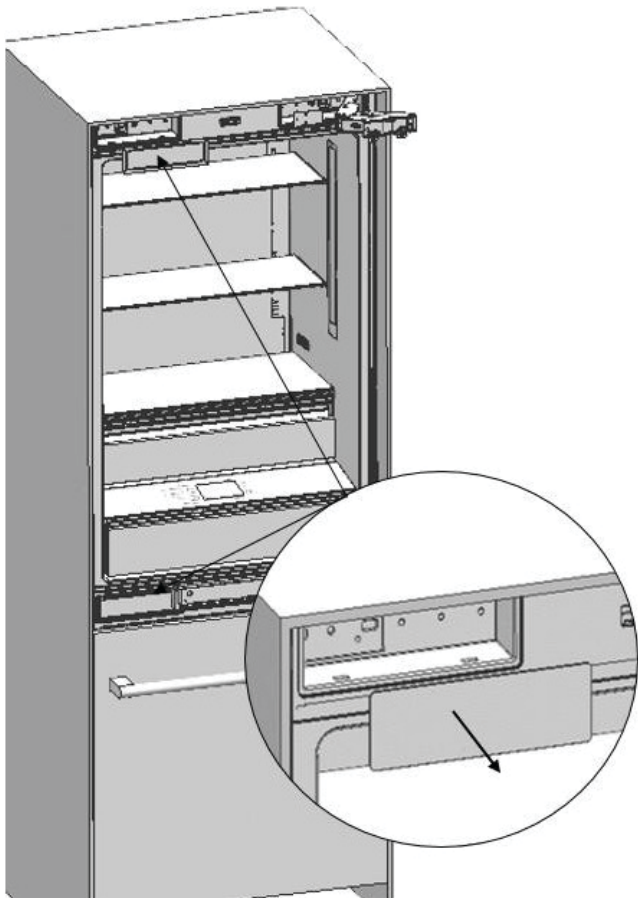


- Enlevez la porte du réfrigérateur et posez-la sur un plan de travail, puis retirez les composants de montage et vissez-les du côté opposé de la porte.
- Utilisez 2 vis pour fixer la languette d'accrochage.



3. INSTRUCTIONS D'INSTALLATION

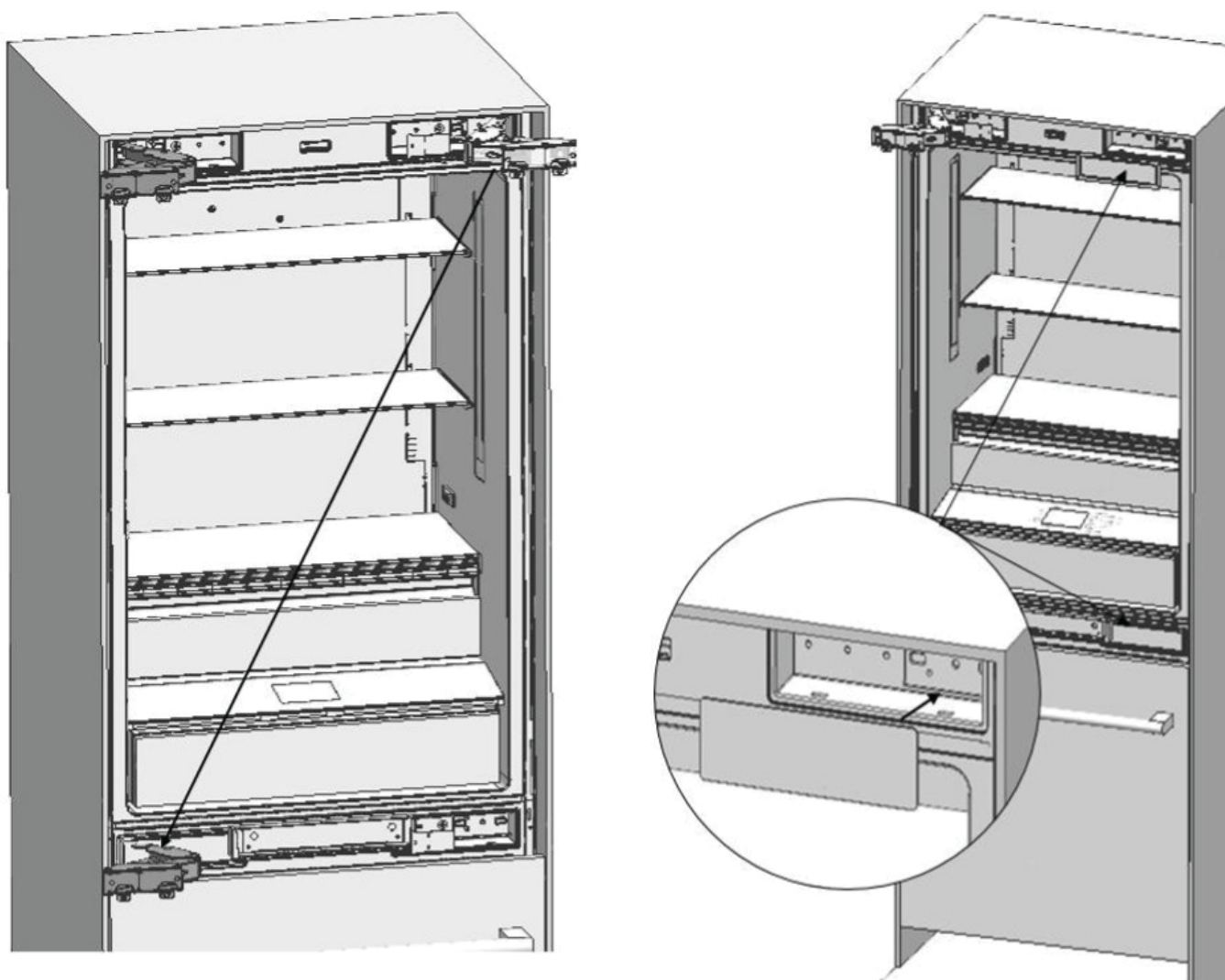
- Retirez les capuchons de charnière situés de l'autre côté où vous monterez les charnières.
- Retirez le cache-vis et les vis fixant les charnières.



- Retirez la charnière inférieure droite en desserrant les 2 vis et montez-la à sa fente en haut à gauche.

- Déposez la charnière supérieure droite en desserrant les 2 vis et montez-la à sa fente en bas à gauche.





- Remettez en place les cache-vis décoratifs des charnières.
- Remettez le couvercle du logement de charnière sur le côté opposé, là où les charnières ont été retirées.

3. INSTRUCTIONS D'INSTALLATION

- Placez la porte intérieure du réfrigérateur sur le réfrigérateur à l'aide du joint de porte pour maintenir la porte en place et fixez-la sur les charnières à l'aide de 4 vis.

