

# DUOPRO PARAMOUNT RANGE SERIES (PSGR)

30 in. 4.2 cu. ft. Range with 4 Burner DuoPro™ Cooktop and Convection Gas Oven

**ZLINE**  
ATTAINABLE LUXURY®

## PSGR30 Stainless Steel

All 30" models come standard with 4 brass dual burners



Black Stainless Steel



Satin Stainless Steel



Black Satin Stainless Steel



## FEATURES AND BENEFITS

**DuoPro™ Cooktop Design:** Up to 85,000 BTUs of power, double the performance of most standard 30 in. gas cooktops.

**True Simmer-to-Sear:** Every DuoPro™ burner delivers the full range of heat; you can simmer a delicate sauce, sear a steak, or rapidly boil pasta—all at the same time—without worrying about which burner has the right power.

**Italian Auto Re-ignition Burners:** Simmer, sear, saute, and steam across 4 dual-function burners that utilize automatic re-ignition innovation for improved temperature control and cooktop safety.

**Precision Dual Heat Zones:** With a range as low as 800 BTUs on each inner burner to 20,000 to 25,000 BTUs on the outer burners, an exclusive dual-port design lets inner and outer rings operate separately for more efficient cooking than most leading competitors.

**Horizon Oven Window:** Keep a watchful eye on your baking dishes through ZLINE's Horizon oven door design that features a large viewing window.

**Stainless Steel Oven Burners:** Tubular bake and broil burners are designed for optimal gas combustion that allows for even heat distribution for an ideal baking experience.

**Large Oven Capacity:** Large oven capacity of 4.2 cu. ft. fits pans up to 20 in. wide for maximum space and convenience.

**Smooth Glide Ball-Bearing Oven Racks:** 2 durable ball bearing oven racks provide extra convenience and ease when working with larger dishes.

**LP Conversion Kit:** Comes equipped with an LP conversion kit to convert from natural gas to liquid propane (must be done by a professional), offering versatility with your cooking preference.

## LIMITED WARRANTY

**Manufacturing Warranty:** 1-year parts and labor.

**Italian Burners and Spark Tips:** Limited Lifetime Warranty.

*Limited Lifetime includes: parts replacements for burners, burner caps, and parts and labor for the spark tip if parts prove to be defective in materials or workmanship.*

*\*Appliance protection plans sold separately, contact for more information.*

## GAS + ELECTRICAL REQUIREMENTS

Electrical | 120 V / 60 Hz / 15 A Dedicated Circuit

Gas Supply | 3/4" ID Line

## OVEN BTU

Broil / Bake BTU Output | 10,000 BTU / 22,000 BTU

## DuoPro™ COOKTOP (Electronic Ignition and Auto Re-ignition)



### Cooktop BTU

- Back Left: 20,000 BTU
- Back Right: 20,000 BTU
- Front Left: 20,000 BTU
- Front Right: 25,000 BTU

## GENERAL PROPERTIES

SKUs	PSGR30, PSGRS-30, PSGRB-30, PSGRBS-30
Base Finishes	Stainless Steel, Black Stainless Steel, Satin Stainless Steel, Black Satin Stainless Steel
Fuel Type	Gas (Propane or Natural Gas)
Burners	4 Dual Function Brass Burners
Cooktop	Porcelain, Electronic Spark Ignition On All Burners
Mount Type	Free Standing
Timer	No
Material	430 Grade Stainless Steel
Grates	Modern
Certification	ETL Certified

## DIMENSIONS AND WEIGHT

Product Dimensions	30" W x 27 3/4" D x 36" H
Cutout Dimensions	30 1/4" W x 24 3/4" D x 36" H
Product Weight	224 lb (101.6 kg)

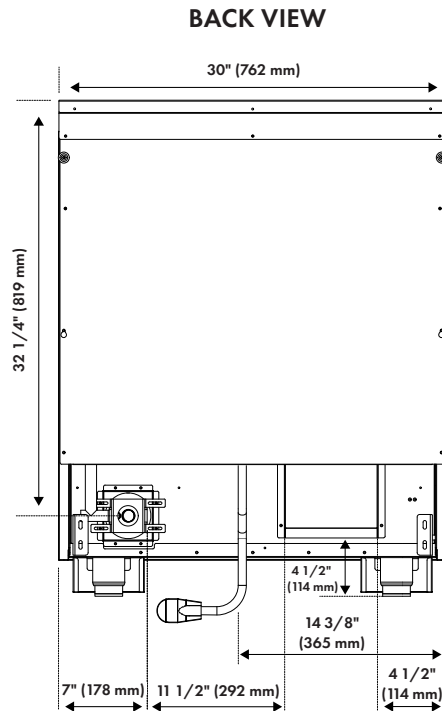
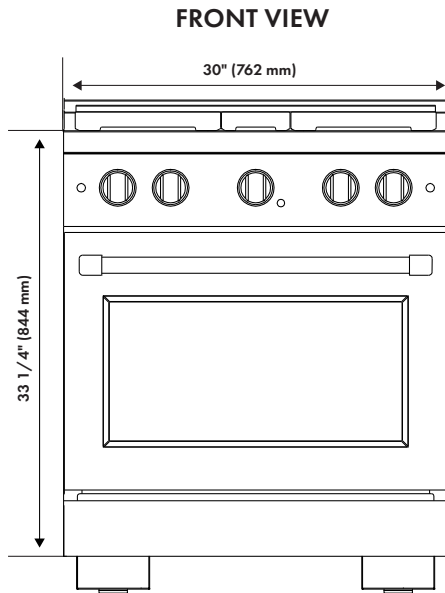
## OVEN FEATURES

Interior Oven Dimensions	24 7/8" W x 17 3/4" D x 16" H
Self-Clean	No
Oven Lighting	(2) Halogen
Oven Features	Bake, Broil, Convection Bake
Convection Fan	Yes
Number of Racks	2
Child Lock	No

# DUOPRO PARAMOUNT RANGE SERIES (PSGR)

30 in. 4.2 cu. ft. Range with 4 Burner DuoPro™ Cooktop and Convection Gas Oven

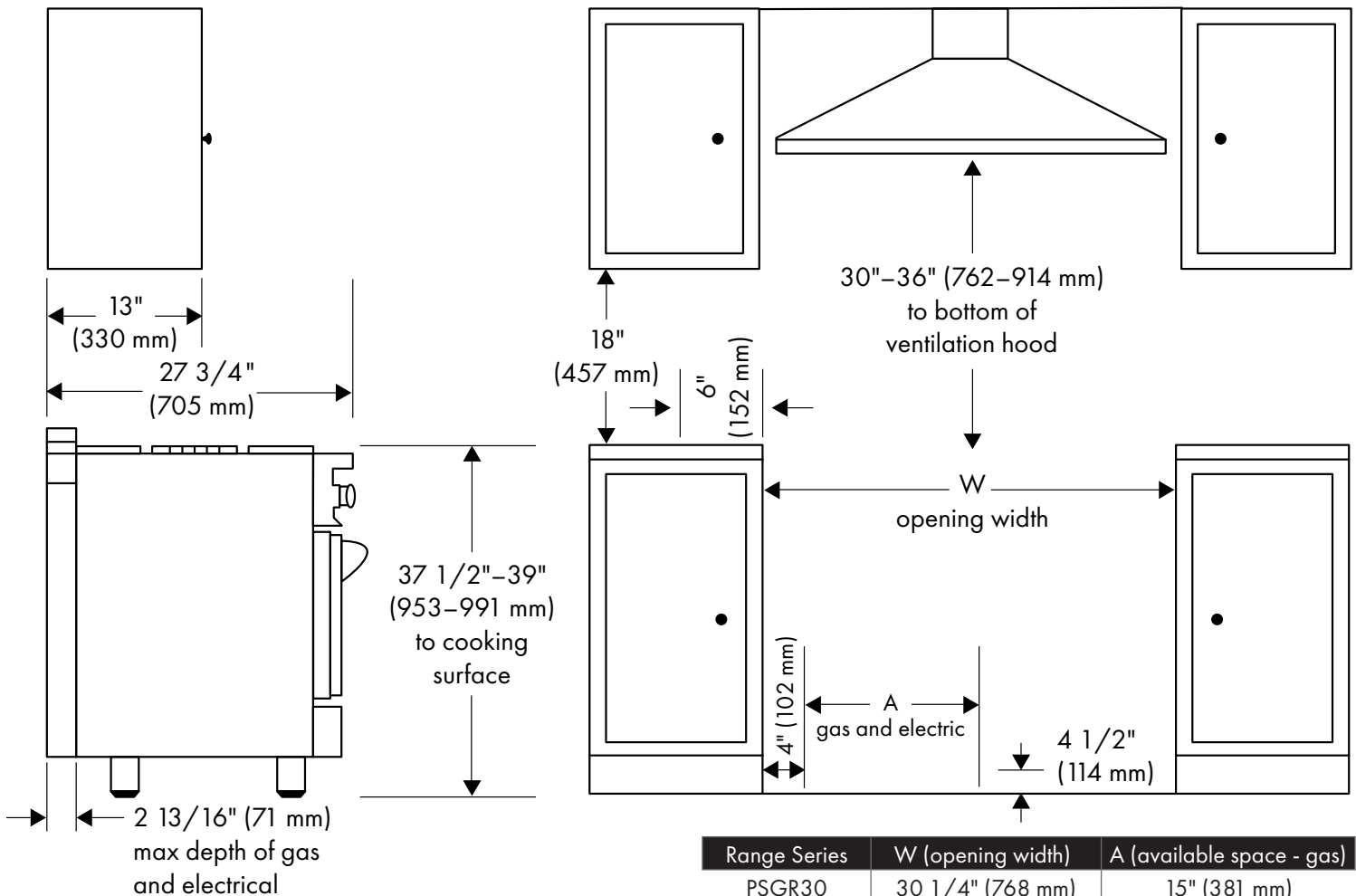
**ZLINE**  
ATTAINABLE LUXURY®



## INSTALLATION RESOURCES

Installation / User Manual

[Click Here](#)



Range Series	W (opening width)	A (available space - gas)
PSGR30	30 1/4" (768 mm)	15" (381 mm)

# AUTOGRAPH EDITION

*Andrew Ferro*

Satin Stainless Steel With  
Matte Black Accents



### SATIN STAINLESS STEEL

Polished Gold	PSGRSZ-30-G
Champagne Bronze	PSGRSZ-30-CB
Matte Black	PSGRSZ-30-MB

Stainless Steel With  
Champagne Bronze Accents



### STAINLESS STEEL

Polished Gold	PSGRZ-30-G
Champagne Bronze	PSGRZ-30-CB
Matte Black	PSGRZ-30-MB

Black Satin Stainless Steel With  
Champagne Bronze Accents



### BLACK SATIN STAINLESS STEEL

Polished Gold	PSGRBSZ-30-G
Champagne Bronze	PSGRBSZ-30-CB

Black Stainless Steel With  
Champagne Bronze Accents



### BLACK STAINLESS STEEL

Polished Gold	PSGRBZ-30-G
Champagne Bronze	PSGRBZ-30-CB

## AUTOGRAPH EDITION COLORED DOORS

Stainless Steel White Matte Door  
With Champagne Bronze Accents



### SATIN STAINLESS STEEL WITH WHITE MATTE DOOR

Polished Gold	PSGRSZ-WM-30-G
Champagne Bronze	PSGRSZ-WM-30-CB
Matte Black	PSGRSZ-WM-30-MB

### STAINLESS STEEL WITH WHITE MATTE DOOR

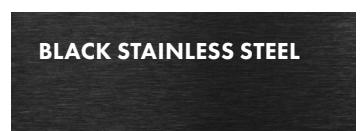
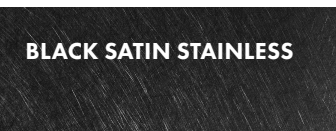
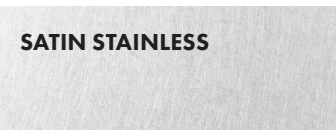
Polished Gold	PSGRZ-WM-30-G
Champagne Bronze	PSGRZ-WM-30-CB
Matte Black	PSGRZ-WM-30-MB

## AUTOGRAPH ACCENT COLORS

Autograph Edition Includes:  
Autograph Edition Knobs, Knob Rings, Handle and 2 Feet Covers.

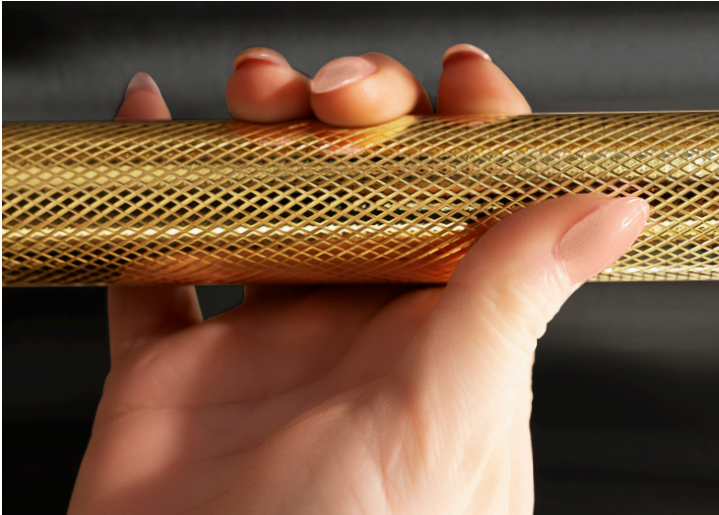


## BASE FINISHES



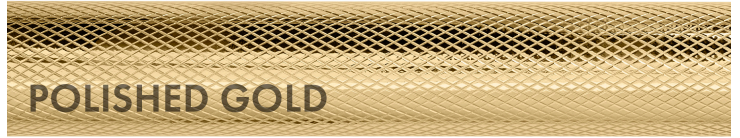
# AUTOGRAPH EDITION

*Andrew Ferro*



Helix Handles:

Not offered as a range bundle SKU. Handle must be purchased separately.



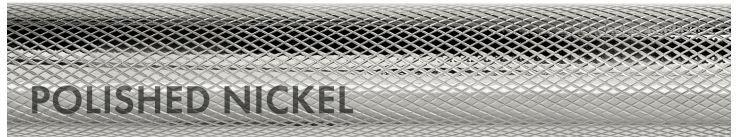
**POLISHED GOLD**



**CHAMPAGNE BRONZE**



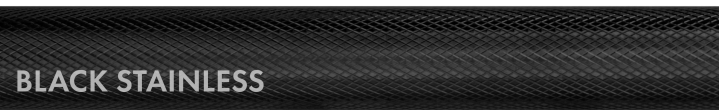
**MATTE BLACK**



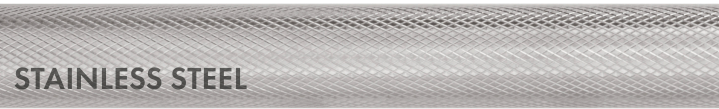
**POLISHED NICKEL**

## STANDARD HELIX HANDLE SET (SET OF 1)

Black Stainless Steel Helix Handle	SGZ-054B-K-BS
Stainless Steel Helix Handle	SGZ-054B-K-ST



**BLACK STAINLESS**



**STAINLESS STEEL**

## RANGE + COLORED DOOR

Stainless Steel  
With White Matte Doors



### STAINLESS STEEL

Black Matte Door	PSGR-BLM-30
White Matte Door	PSGR-WM-30

Satin Stainless Steel  
With Black Matte Doors



### SATIN STAINLESS STEEL

Black Matte Door	PSGRS-BLM-30
White Matte Door	PSGRS-WM-30

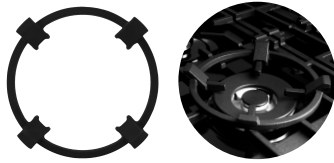


\*Colored Doors Will Ship Separately

# ZLINE KITCHEN ACCESSORIES

Range + Kitchen Compatible Accessories

**ZLINE**  
ATTAINABLE LUXURY®



Cooktop Wok Ring | RA-005A



Cleaner/Polish | STCLT-8



Reversible Cast Iron Griddle | SR-GRNS



German Steel  
15 Piece Knife Set | KSETT-GS-15



German Steel  
3 Piece Knife Set | KSETT-GS-3



Japanese Damascus  
3 Piece Knife Set | KSETT-JD-3



10-Piece  
Stainless Steel  
Cookware Set | CWSETL-ST-10



10-Piece Stainless  
Steel and Ceramic  
Cookware Set | CWSETL-NS-10



5-Piece Black  
Matte Enameled  
Cast Iron Set | CWSETS-BLM-5



5-Piece White  
Matte Enameled  
Cast Iron Set | CWSETS-WM-5

## CONTACT INFORMATION



### PHONE

**Customer Service**  
1-614-777-5004

**Dealer Assistance**  
1-833-597-2461



### HOURS OF OPERATION

**Customer Service**  
Monday–Friday 6:00am–4:30pm CST

**Dealer Assistance**  
Monday–Friday 7:00am–4:00pm CST



### EMAIL

**Customer Service**  
contact@zlinekitchen.com

**Dealer Assistance**  
dealer@zlinekitchen.com