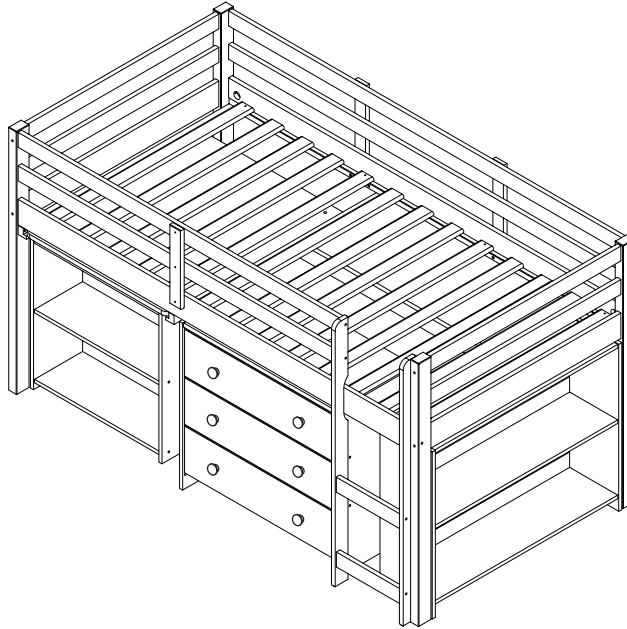


Fort Worth, Texas 76140

ASSEMBLY INSTRUCTIONS

760 LOW LOFT BED



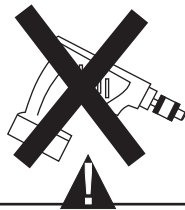
OPTIONAL COMPONENTS

3 DRAWERS CHEST
DESK
BOOKCASE

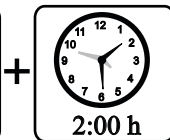
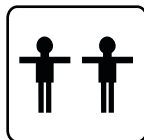
Thank you for purchasing this quality product. Be sure to check all packing material carefully for small parts which may have come loose inside the carton during shipment. Separate, identify and count all parts and hardware.

Compare with the parts list to be sure all parts are present.

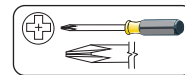
"DO NOT TIGHTEN SCREWS UNTIL COMPLETELY ASSEMBLED"



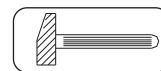
* Use of power tool to assemble this product will invalidate any claim and damage this product making unsafe !!!
* Please assemble on a clean soft surface to avoid damage.



Tools Required



(Not included)

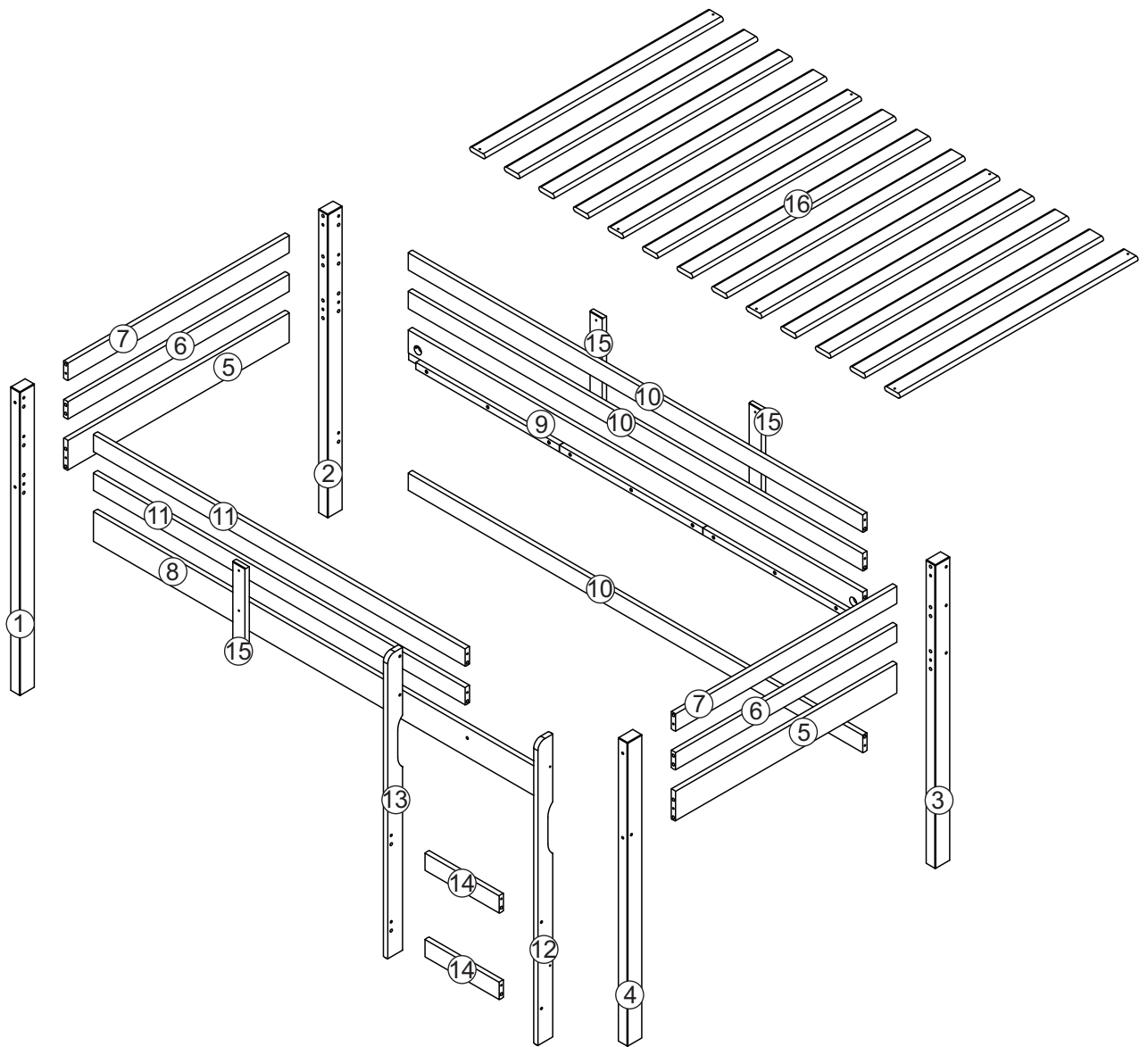


(Not included)

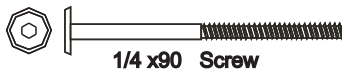

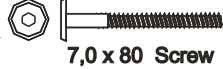

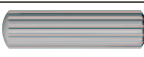
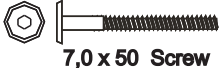



IMPORTANT:

PLEASE READ INSTRUCTION BEFORE STARTING THE ASSEMBLY

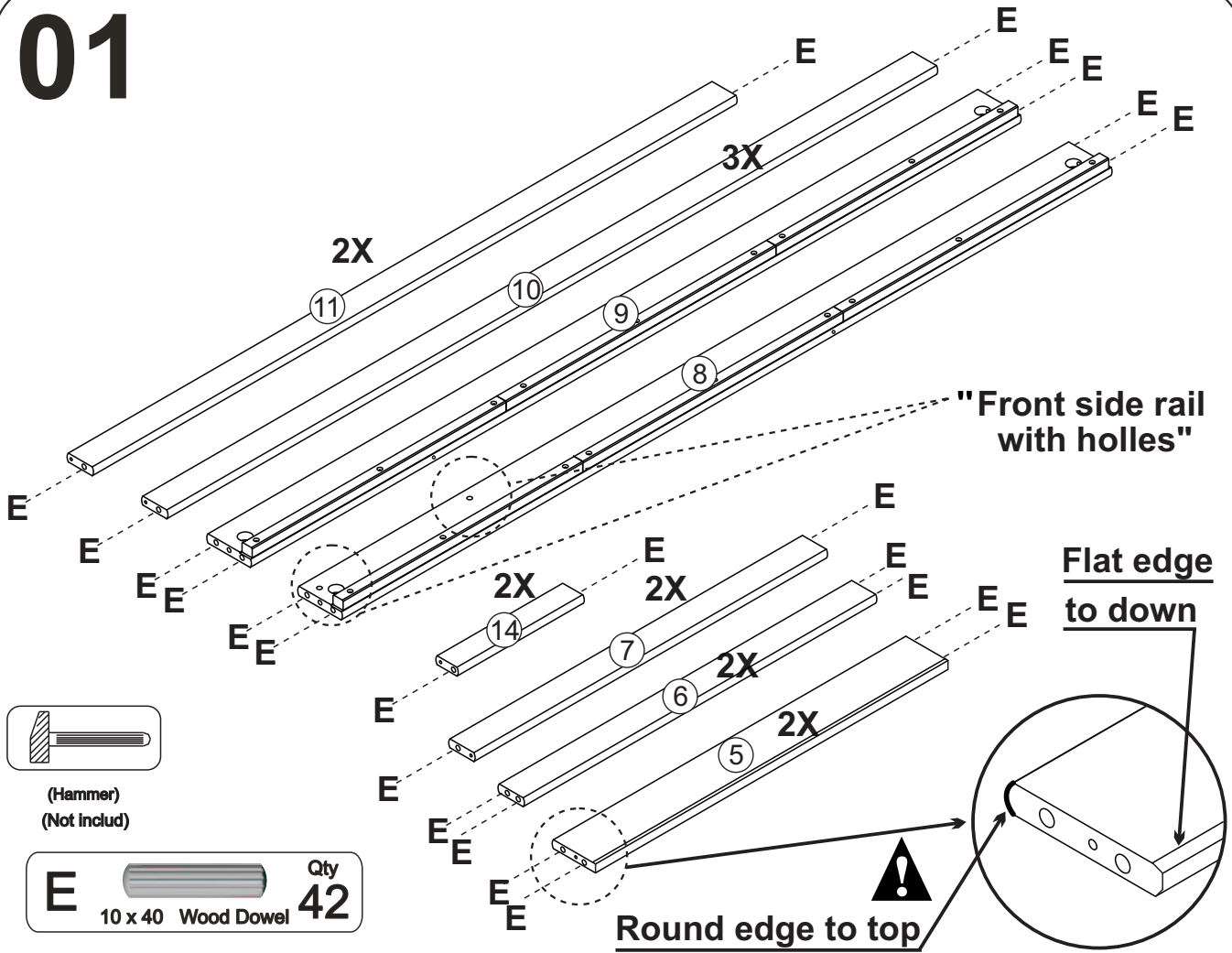
Part List - 760 LOW LOFT BED



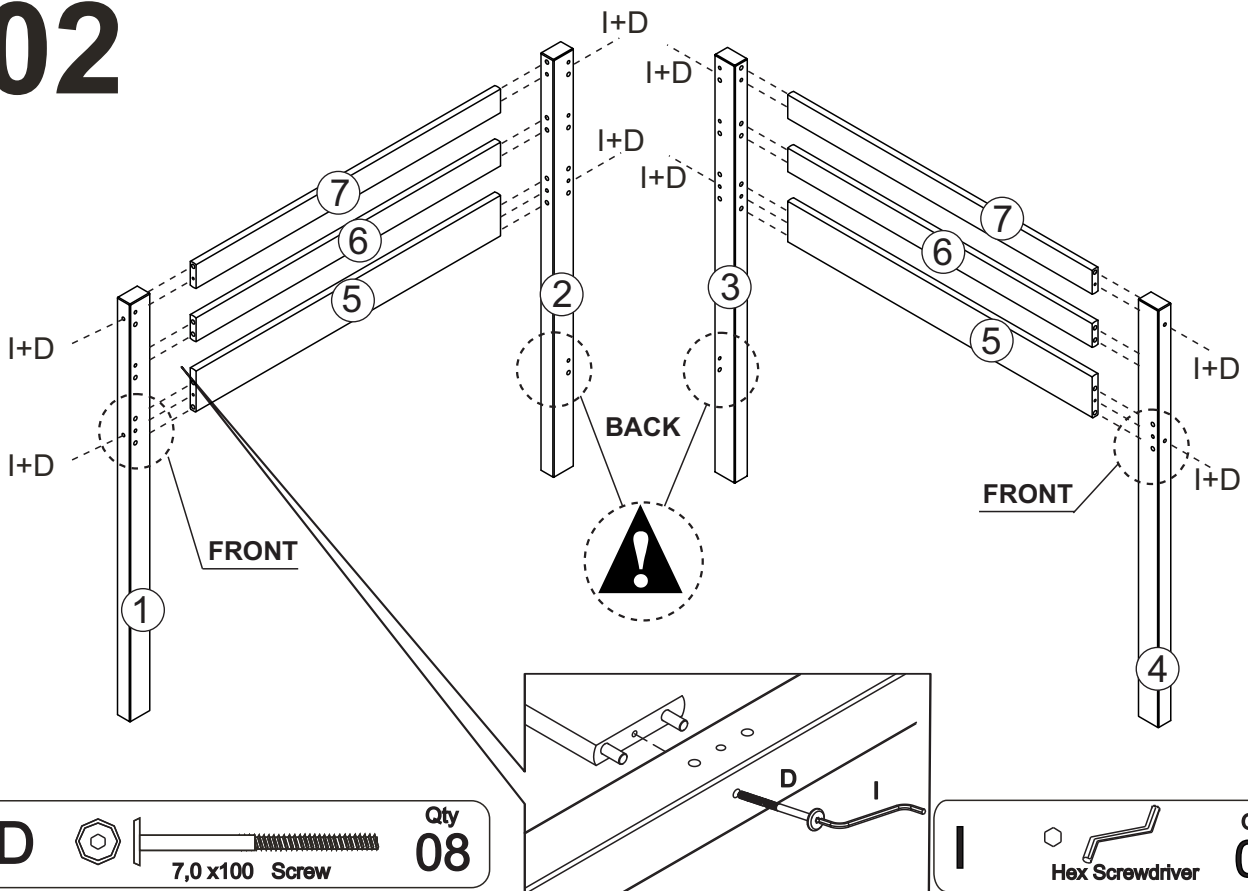
Identifying the Hardware-Identify the hardware using the illustrations below.

| | | |
|-------------------------------------------------------------------------------------------------------------------------------|----------------------------------------------------------------------------------------------------------------------------------|---------------------------------------------------------------------------------------------------------------------------------|
| A  Qty 04 1/4 x90 Screw | B  Qty 04 1/4\" Half Moon | C  Qty 08 7,0 x 80 Screw |
| D  Qty 08 7,0 x 100 Screw | E  Qty 42 10 x 40 Wood Dowel | F  Qty 08 7,0 x 50 Screw |
| G  Qty 17 4,0 x 30 Screw | H  Qty 02 4,0 x 40 Screw | I  Qty 01 Hex Screwdriver |

01

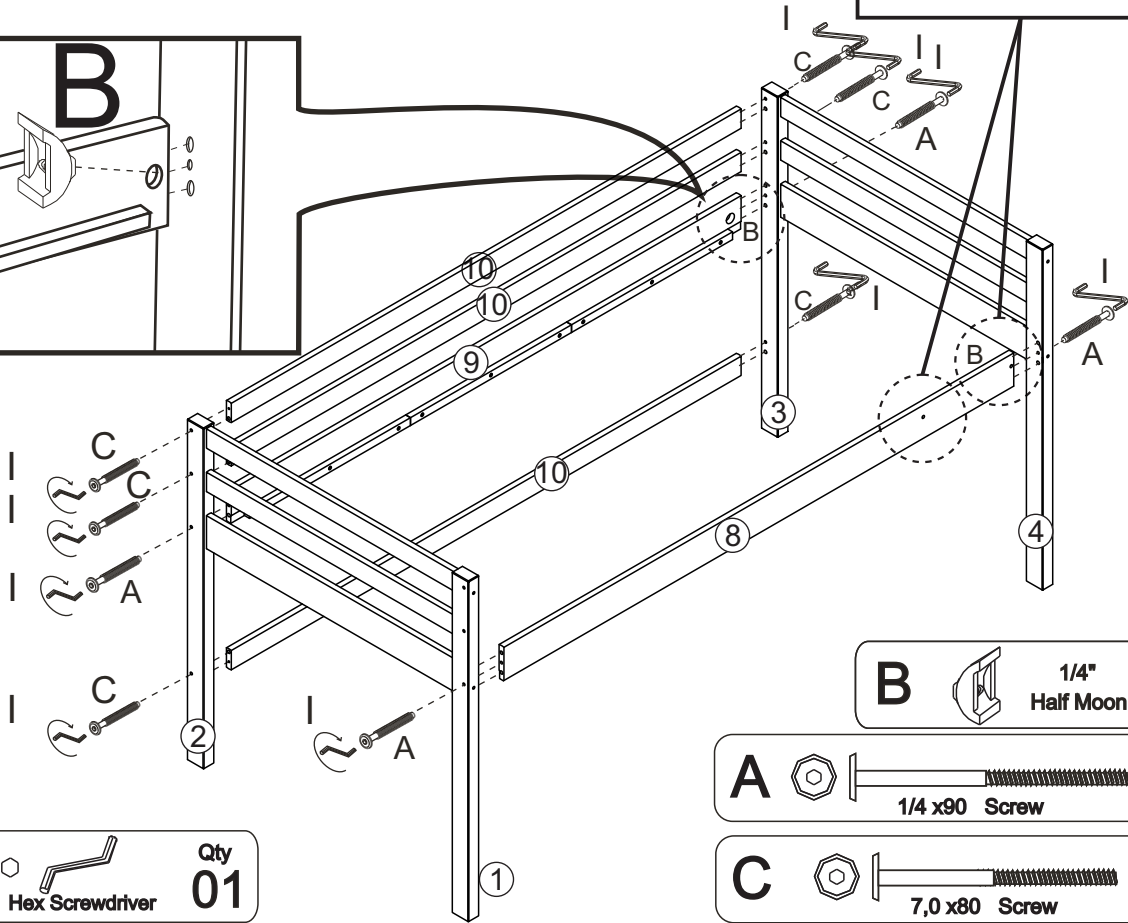
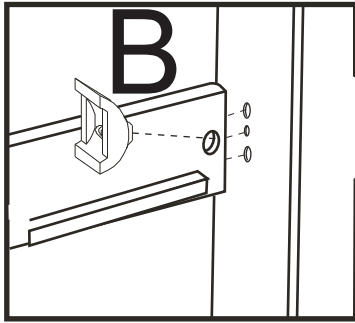


02




03

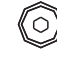
 **FRONT**



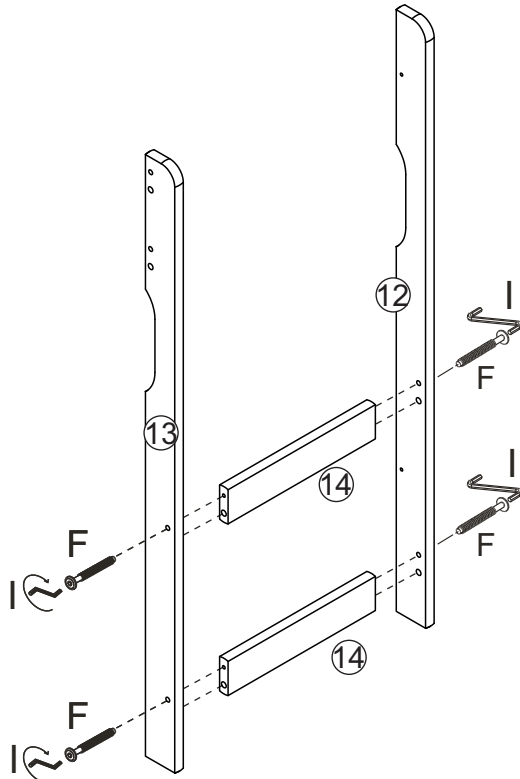
I  **Hex Screwdriver** Qty **01**

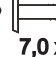
B  **1/4" Half Moon** Qty **04**

A  **1/4 x90 Screw** Qty **04**

C  **7,0 x80 Screw** Qty **06**

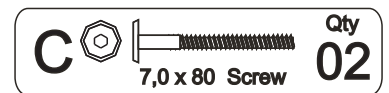
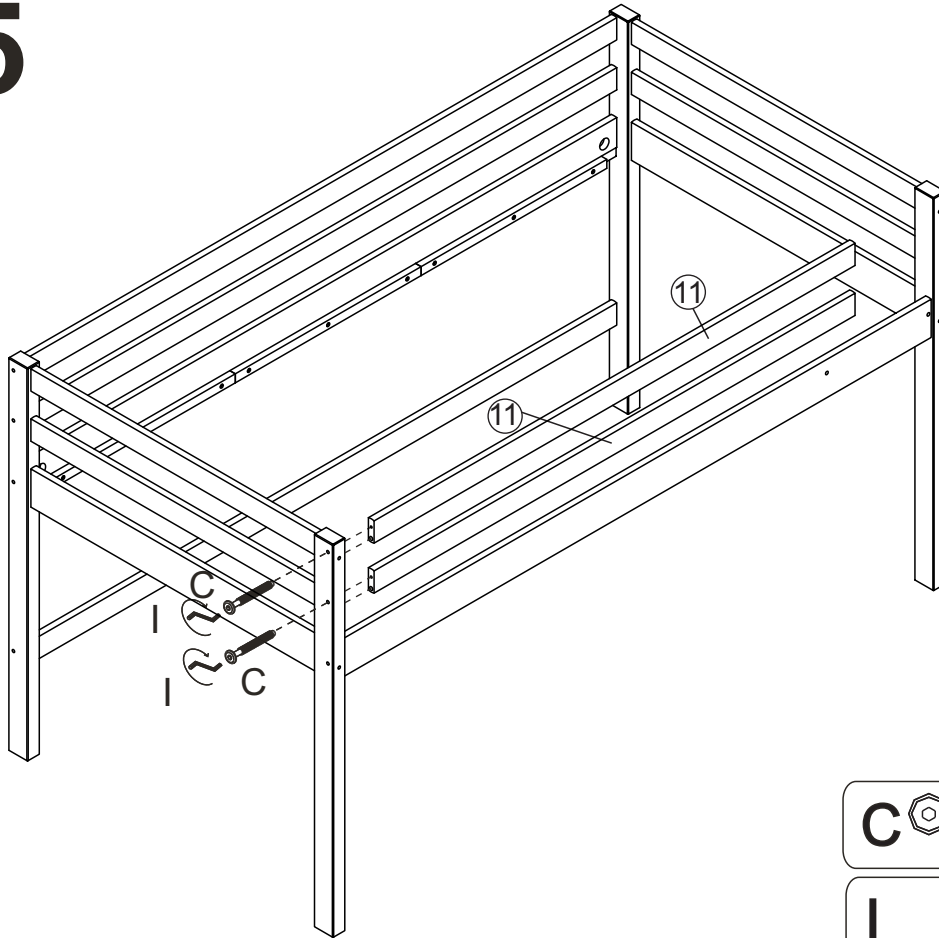
04



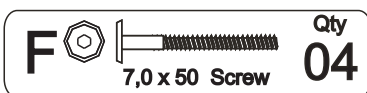
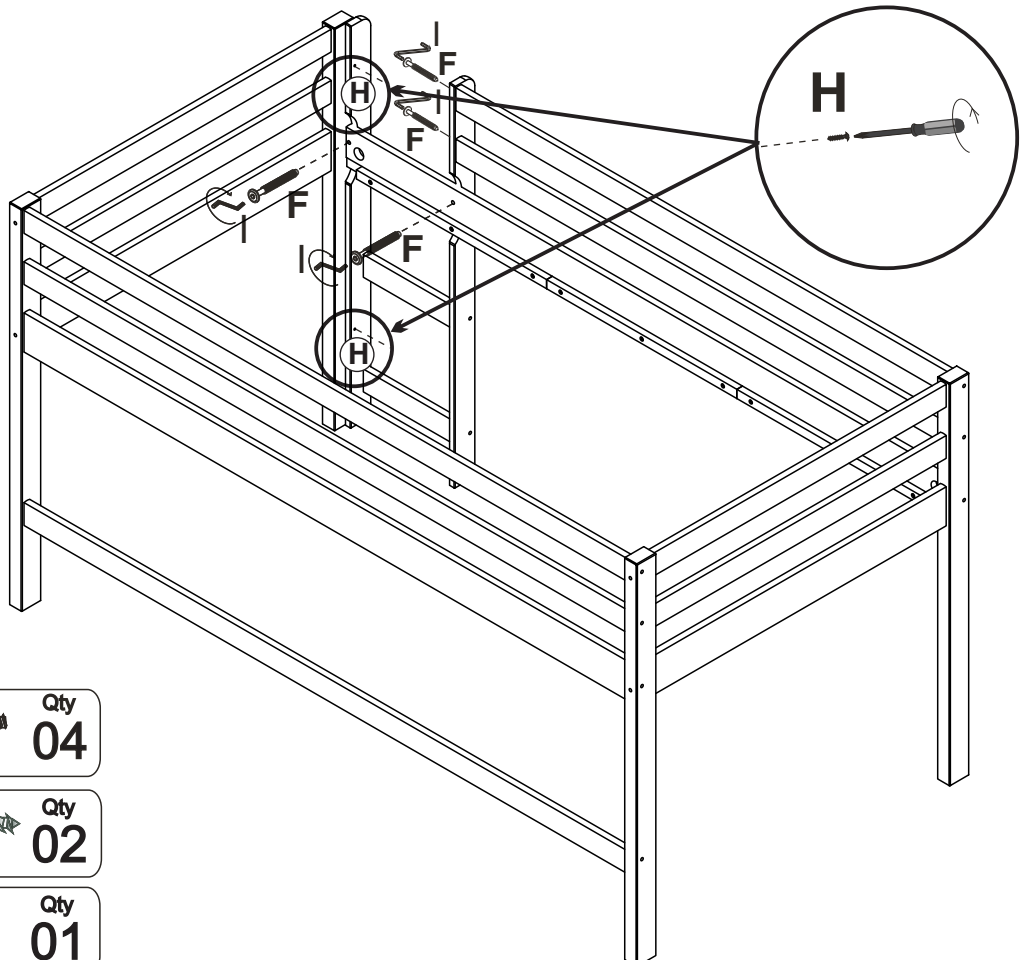
F  **7,0 x 50 Screw** Qty **04**

I  **Hex Screwdriver** Qty **01**

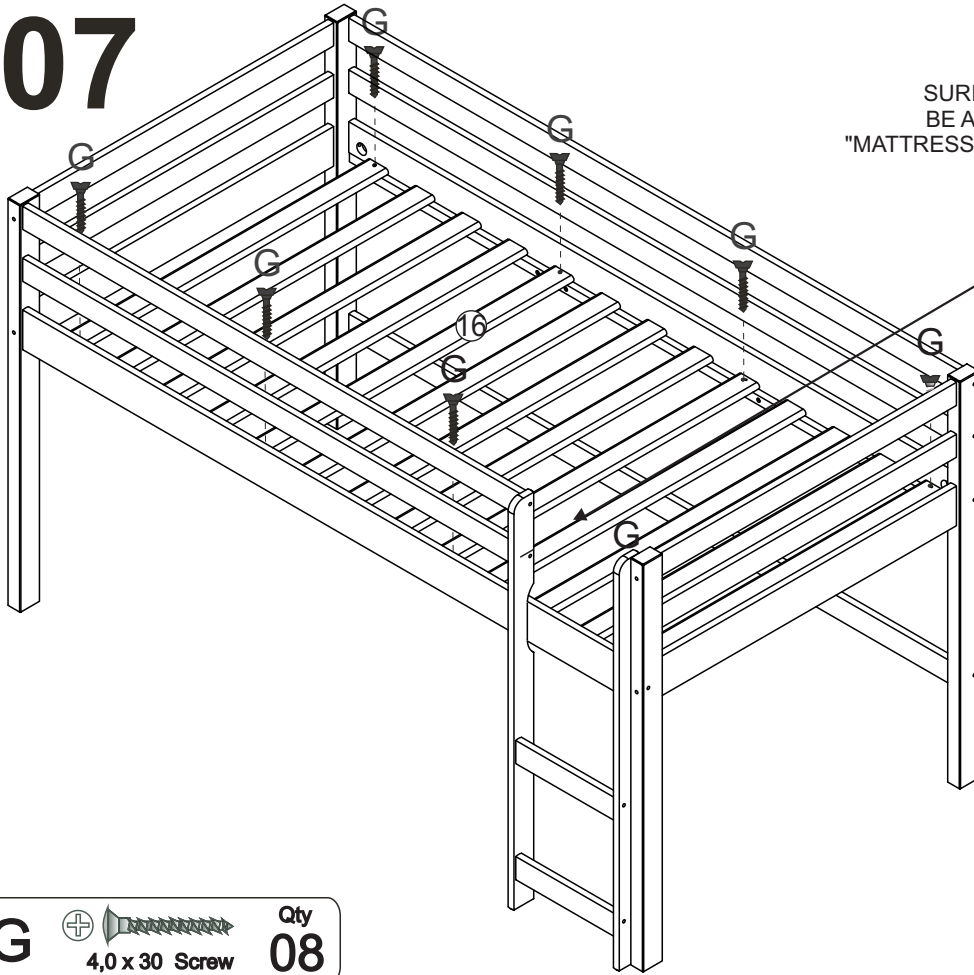
05



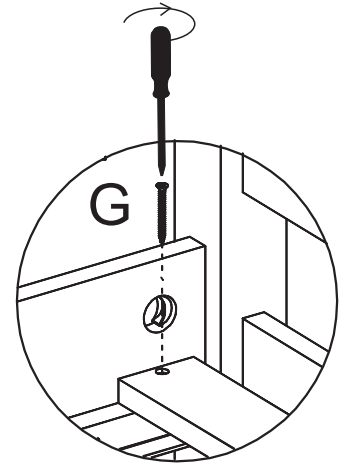
06



07

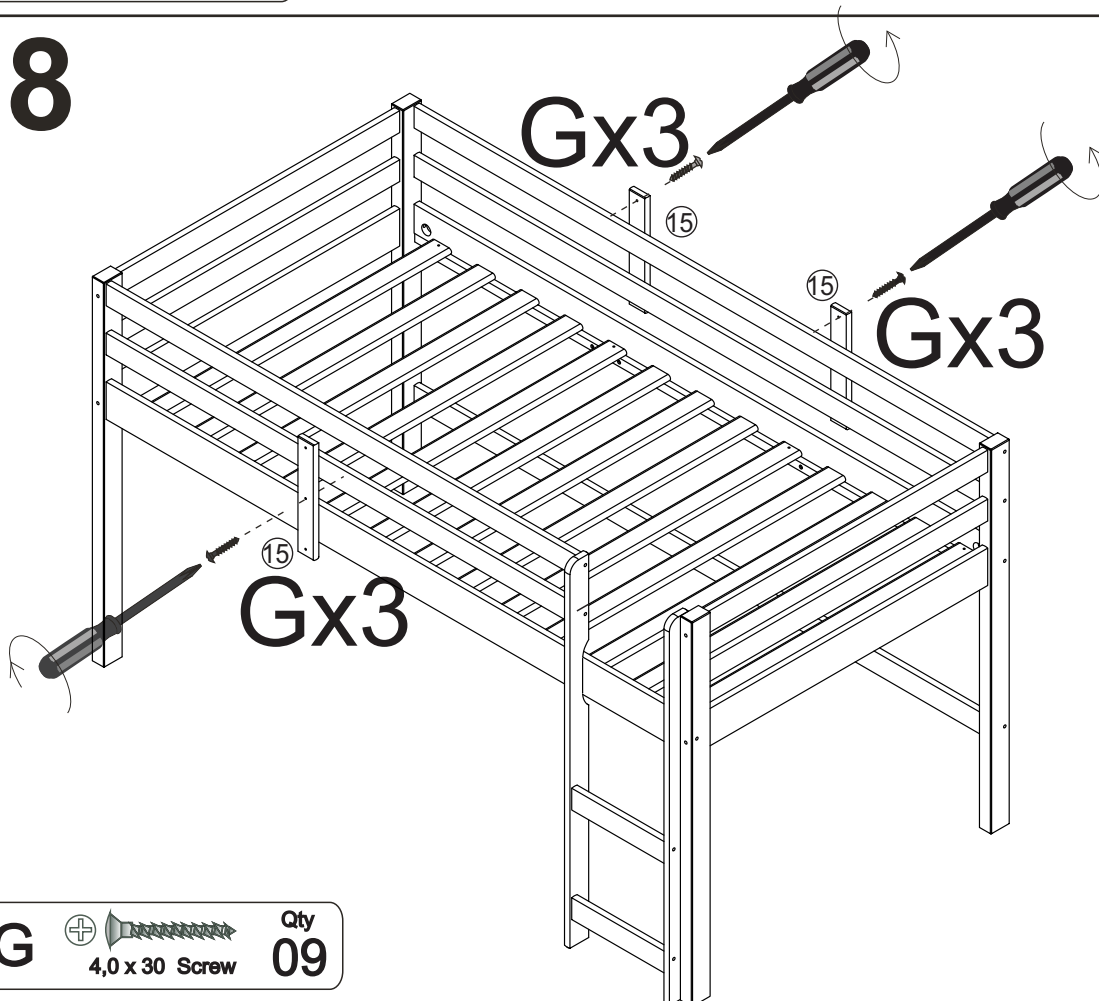


WARNING
THE MATTRESS
SURFACE MUST NOT
BE ABOVE THIS LINE
"MATTRESS 8" HIGH LIMITED"



G  Qty **08**
4,0 x 30 Screw

08



G  Qty **09**
4,0 x 30 Screw

OPTION COMPONENTS

