

24" Built-in Dishwasher with EvenDry™

Dishwasher

Available Products: FDSH450LAF

Available Colors: Stainless Steel

Version: 07/23

Product Specifications

Dishwasher

Automatic Temperature Control	Yes
Detergent Dispenser	Yes
Filter Material	Stainless Steel
Filter Trap	Removable
Filtered Water	100 %
Hard Food Disposer or Filtration	Yes
Motor Speeds	Multi-Speed
Place Setting Capacity	14
Rinse Aid Dispenser	Yes
Smart Soil Sensor	Yes
Lower Spray Arm	Blade
Middle Spray Arm	Bi-Beam
Upper Spray Arm	Spray Arm
Tub Design	Tall Tub
Tub Material	Stainless Steel
Wash Levels	5
Wash System	Direct Feed
Water Pressure	120 psi

Dishwasher Options

Drying System	Fan Assist
Heated Dry	Yes
High Temperature	Yes
Start/Cancel	Yes

Upper Rack

Cup Shelf	Yes
-----------	-----

Controls

Delay Start Hours	1-24 Hours
-------------------	------------

Dimensions and Volume

Minimum Height	33 3/4"
Maximum Height	35 3/4"
Width	24"
Depth	24"
Depth With Door Open	50 1/4"

Installation

Number of Leveling Legs	3
-------------------------	---

Dishwasher Cycles

China Crystal	Yes
Energy Saver	Yes
Heavy	Yes
Normal	Yes
Number of Cycles	5
Rinse Only	Yes
Upper Rack	Yes

Lower Rack

Number of Silverware Basket	1
Rack Type	Deluxe

Third Level Rack

Third Level Rack	Yes
------------------	-----

Exterior

Door and Handle Design	Handle
Door Type	Standard

Electrical Specifications

Voltage Rating	120 V
----------------	-------

General Specifications

Sound Level	49 dBA
Annual Energy	240 kWh
Warranty - Labor	1 Year
Warranty - Parts	1 Year

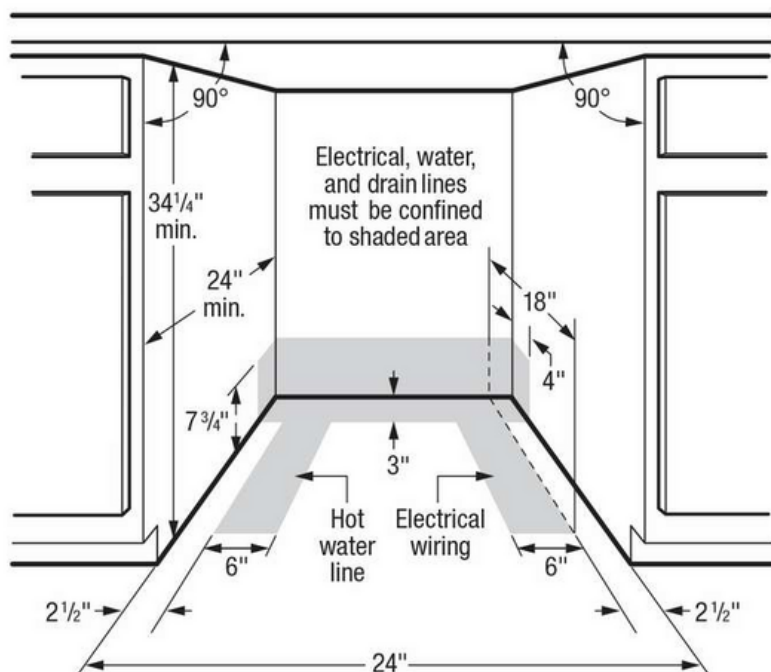
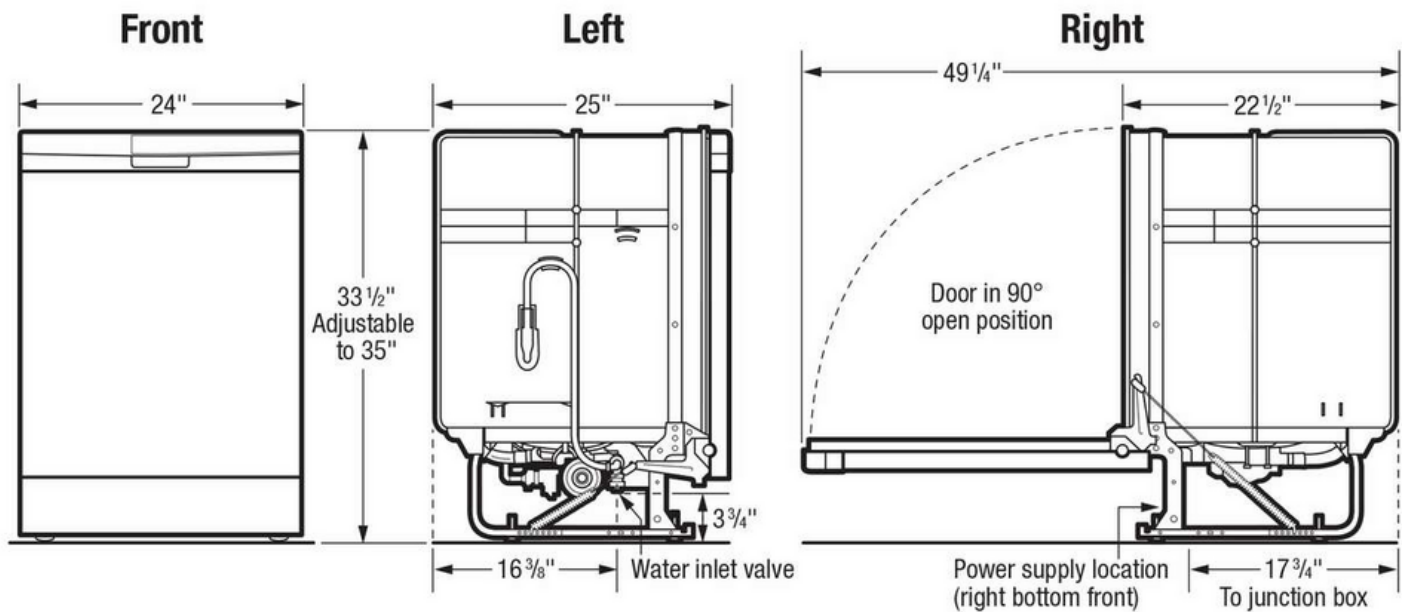
Safety Certifications and Approvals

UL Listed	Yes
Meets ASSE 1006 Requirements	Yes
NSF Certified	Yes

Performance Certifications and Approvals

CEE Tier	Tier 1
ENERGY STAR Certified	Yes

Installation Diagram



24" Built-in Dishwasher with EvenDry™

Dishwasher

Available Products: FDSH450LAF

Available Colors: Stainless Steel

Version: 07/23
