



# 3.8 cu. ft. Top Load Washer

WTW4855H



White  
WTW4855HW

## Capacity

Total	3.8 cu. ft.
-------	-------------

## General Features & Properties

3.8 cu. ft. Capacity
----------------------

Soaking Cycles
----------------

Late Lid Lock
---------------

Quick Wash Cycle
------------------

Whites Cycle
--------------

Colors Cycle
--------------

Bulky/Sheets Cycle
--------------------

Delicates Cycle
-----------------

Extra Rinse Option
--------------------

## Electrical Details

Amps	15
------	----

Volts	120
-------	-----

## Technical Details

Drum Material	Stainless Steel
---------------	-----------------

Wash Action	Agitator
-------------	----------

Control Location	Rear Panel
------------------	------------

Control Type	Knobs
--------------	-------

Number of Cycles	12
------------------	----

Washer Cycle Selections	Bulky/Sheets Clean Washer with affresh® Colors Colors with Soak Delicates
-------------------------	---

Washer Cycle Selections	Drain & Spin Heavy Duty Normal Quick Wash Rinse & Spin Whites Whites with Soak
-------------------------	--

Number of Options	4
-------------------	---

Washer Option Selections	Auto Sensor Deep Water Wash-Extra Rinse Extra Rinse Lid Lock
--------------------------	--

## Key Features & Benefits

### Water Level Selection

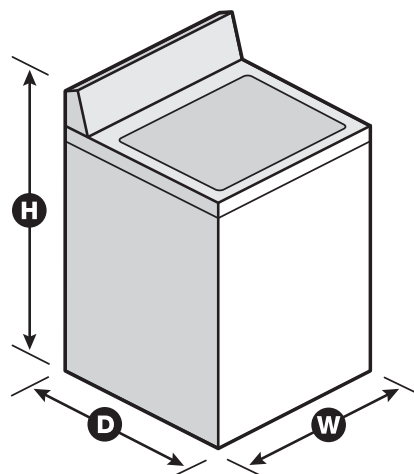
Choose the water level you need for the cycle you want. No matter which wash cycle you choose, Water Level Selection lets you select Auto Sensing to adjust water based on load size or the Deep Water Wash option to help break down loose soils with more water.

### Smooth Spiral Stainless Steel Wash Basket

Help protect fabrics from snagging with this stainless steel wash basket that gently guides clothes during the wash.

### Two-Way Wash Action Agitator

Give your clothes a deep yet gentle clean with the two-way wash action agitator, which turns one way while the basket turns the other, for a cleaning motion that moves fabrics smoothly through the wash.



## Dimensions

Product Dimensions (H x W x D)	44" x 27" x 26-1/2"
--------------------------------	---------------------

Height with Lid Open 90°	52"
--------------------------	-----

## Reference Material

[Dimension Guide](#)

[Install Guide](#)

[Use & Care Guide](#)

[Energy Guide](#)

[Warranty](#)

NOTE: Dimensions are for planning purposes only. For complete details, see Installation Instructions packed with product. Specifications subject to change without notice.

®/™ © 2020. All rights reserved. Printed in the U.S.A. D200104XXD. WTW4855HSpecSheetV01.