

# 3018CLR

18" Clear Ice Machine • Modular 3000 Series



## FEATURES & BENEFITS



STAINLESS  
SOLID



INTEGRATED  
SOLID



INTEGRATED  
SOLID (STAINLESS  
HANDLESS  
PANEL)\*

|                          |  |
|--------------------------|--|
| <b>PERFORMANCE</b>       | <ul style="list-style-type: none"> <li>• Daily ice production of up to 60 lbs of ice</li> <li>• Up to 30 lbs in ice storage capacity</li> <li>• Clear ice cube dimensions: 7/8" W x 7/8" H x 7/8" L</li> <li>• Clear ice cube fullness can be adjusted</li> <li>• Silent mode temporarily suspends ice making for 3 hours</li> <li>• U-Select® Control with digital OLED display</li> <li>• Indicator alert notifies user when cleaning is needed</li> <li>• Easy clean process only lasts 45 minutes</li> </ul> |
| <b>INTERIOR/EXTERIOR</b> | <ul style="list-style-type: none"> <li>• Black interior is illuminated with LED theater lighting</li> <li>• Clear heavy duty ice scoop included</li> <li>• Drain required</li> <li>• Factory installed drain pump model recommended if a gravity drain is not accessible</li> <li>• Stainless steel handle (7/8" diameter)</li> <li>• The door swing is field reversible, and is shipped right-hand hinged</li> </ul>  |
| <b>INTEGRATION</b>       | <ul style="list-style-type: none"> <li>• Robust, concealed and covered hinges with built-in door stop and closer</li> <li>• Adjustable grille can be shifted front-to-back and up-and-down</li> <li>• Grille can accept an integrated toe-kick</li> <li>• Integrated model requires 3/4" custom panel of your choice, or can accept U-Line Euro Style Handleless Stainless Panel Accessory (must be ordered separately)</li> <li>• Four independently adjustable leveling legs</li> </ul>                        |

## MODEL DETAILS

| Model            | Voltage/Hz | Door Swing       | Pump          | Finish           | Shipping Weight |
|------------------|------------|------------------|---------------|------------------|-----------------|
| U-3018CLRS-00B   | 115 / 60   | Field Reversible | -             | Stainless Solid  | 118 lb          |
| U-3018CLRS-40B   | 115 / 60   | Field Reversible | Pump Included | Stainless Solid  | 124 lb          |
| U-3018CLRINT-00B | 115 / 60   | Field Reversible | -             | Integrated Solid | 110 lb          |
| U-3018CLRINT-40B | 115 / 60   | Field Reversible | Pump Included | Integrated Solid | 116 lb          |

## ACCESSORIES

| Model          | Description                                    | Finish    | Shipping Weight |
|----------------|--|-----------|-----------------|
| ULACLR CLEAN   | Clear Ice Machine Cleaner (1 Box of 6 Packets) | N/A       | 1 lb            |
| ULASHP18SOLID* | Stainless Handleless Panel Solid               | Stainless | 9 lb            |
| ULAWATERHOOKUP | Braided Water Supply Line Kit                  | N/A       | 2 lb            |

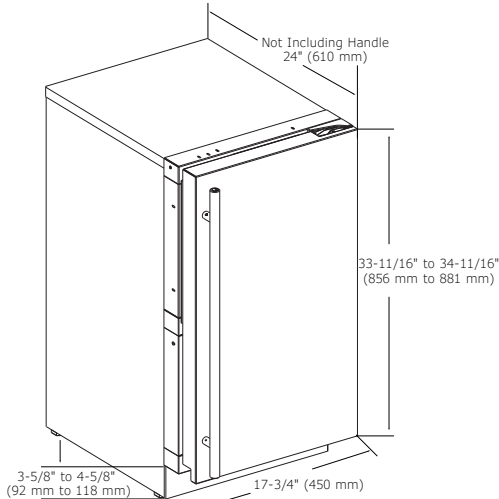
\*Installs on integrated models.

# 3018CLR

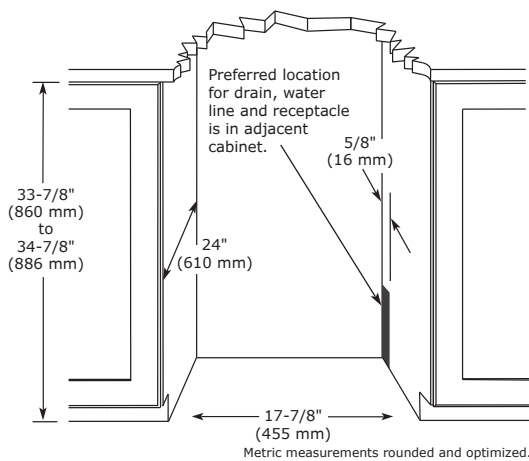
## Modular 3000 Series • 18" Clear Ice Machine

### DIMENSIONS

Dimensions shown apply to all finishes, including Integrated (INT) models with 3/4" integrated panel/frame installed.



### CABINET CUT-OUT



### INSTALLATION NOTES

When installing adjacent to wall, ensure 2 1/2" clearance on hinged side for 90° door opening, allowing ample room for door handle.

No additional clearance around sides, top or rear of unit is needed for ventilation.

Do not obstruct front grille air flow.

### SPECIFICATIONS

|                            |                    |
|----------------------------|--------------------|
| Model                      | 3018CLR            |
| Amps: Running              | 4                  |
| Amps: Ice Harvest          | 5.5                |
| Control Type               | U-Select®          |
| Defrost Type               | N/A                |
| Dimensions: Product Depth  | 24" / 610 mm       |
| Dimensions: Product Height | 33 11/16" / 856 mm |
| Dimensions: Product Width  | 17 3/4" / 450 mm   |
| ENERGY STAR                | N/A                |
| Ice Production Per Day     | 60 lb              |
| Ice Storage                | 30 lb              |
| Panel Height               | 30" / 762 mm       |
| Panel Thickness            | 3/4" / 20 mm       |
| Panel Type                 | Solid Panel        |
| Panel Width                | 17 5/8" / 445 mm   |
| Product Weight: Max        | 114 lb             |
| Refrigerant Type           | R134a              |
| Sabbath (Star K Certified) | Yes                |

### ELECTRICAL REQUIREMENTS

This unit requires a grounded, polarized 115 VAC, 60 Hz, 15 A power supply (normal household current).



Please visit [u-line.com](http://u-line.com) to view this model's User Guide & Service Manual. All Specifications are subject to change without notice.