



OVERVIEW

With timeless Contemporary styling, the Combination Steam Oven fits seamlessly into any kitchen. As a companion product, this oven is designed to install easily and fit perfectly with other companion products such as the Combination Microwave Oven, or Vacuum Seal Drawer. It features 23 functions, including steam-only, convection-only, or a combination of both. Reduce the need for oils and fats with six standalone steam functions, perfect for creating flavorful and healthy restaurant-quality meals at home. Beautiful to use, the large 5" touchscreen interface has simple and intuitive guided cooking, helping to ensure perfect results.

PRODUCTS

OS30NDTDB1
Combination Steam Oven, 30", 23 Function

SERIES & STYLE

Series 9
Minimal

FEATURES

- ① Contemporary style, designed to fit flush with cabinetry
- ② Generous 1.9cu ft total capacity with six shelf positions
- ③ Intuitive, large 5" touchscreen display with illuminated dial
- ④ 23 oven functions, including six steam-only functions
- ⑤ Moisture control and even heat distribution thanks to ActiveVent and AeroTech™ technology
- ⑥ Guided cooking, with the option to access additional functionality via the SmartHQ™ app, with the purchase of the wireless temperature sensor
- ⑦ Water tank capacity of 50.7 fl oz
- ⑧ Wi-Fi/Connected capability through the SmartHQ™ app
- ⑨ Wireless Temperature Sensor precisely monitors cooking in real time. Purchased separately
- ⑩ Soft open and close door

ACCESSORIES

- ① Full-extension sliding shelves*
- ② Step down wire shelf*
- ③ Roasting dish, tray and rack*
- ④ Wired Temperature Sensor*
- ⑤ Descale solution, 2 sachets - Part 580925

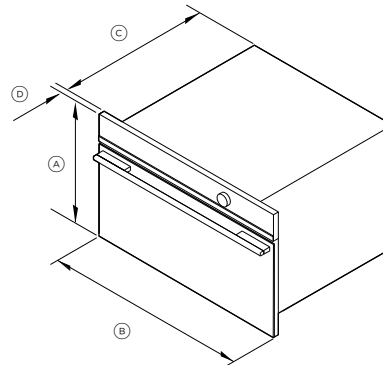
*Included with product

The models shown in this Planning Guide may not be available in all markets and are subject to change at any time. Product specifications may vary from those shown. This Planning Guide should not be used as installation guidance for any product. Further information is required to safely and correctly install the products featured here. Specific installation guidance will be available on our website fisherpaykel.com

SPECIFICATIONS

Model No.	OS30NDTDB1, Combination Steam Oven OM30NDTDB1, Convection Speed Oven
Dimensions	H 18" W 29 15/16" D 22 1/4"
Total Oven Capacity	
OS30NDTDB1	1.9cu ft (55L)
OM30NDTDB1	1.7cu ft (49L)
Weight	
Packaged	121lb (55kg)
Unpackaged	101lb (46kg)
Electrical	
Supply	208 V or 240 V, 60 Hz
Service	20 A

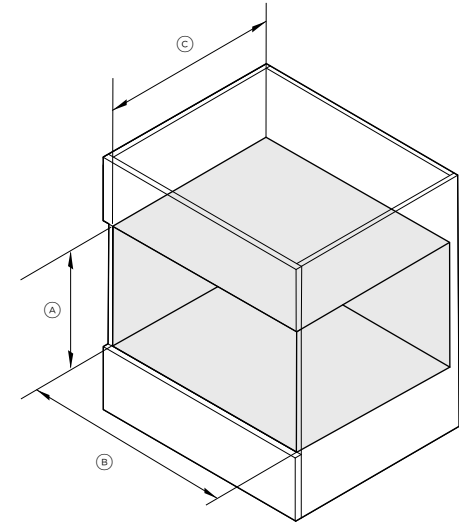
PRODUCT DIMENSIONS



ISO VIEW

	inch	mm
(A) Overall height	18	458
(B) Overall width	29 15/16	760
(C) Depth of chassis	21 7/16	545
(D) Thickness of oven front and control panel (excl. handle and dials)	13/16	20
Depth of door when fully open (measured from front of control panel)	12 5/8	320

CAVITY DIMENSIONS: STANDARD INSTALLATION



ISO VIEW

	inch	mm
(A) Minimum inside height of cavity	17 5/16	440
(B) Minimum inside width of cavity	28 1/2	724
(C) Minimum inside depth of cavity for flush installation	22 7/16	570

Note: Convection Speed Oven requires ventilation at the rear of the cavity.

The models shown in this Planning Guide may not be available in all markets and are subject to change at any time. Product specifications may vary from those shown. This Planning Guide should not be used as installation guidance for any product. Further information is required to safely and correctly install the products featured here. Specific installation guidance will be available on our website fisherpaykel.com