

FRIGIDAIRE

GALLERY



36" Gas Range with Air Fry

Gas Range

Available Products: GCFG3661AF

Available Colors: Stainless Steel

Version: 04/24

Product Specifications

Cooking Controls

Air Fry	Yes
Bake	Yes
Bread Proof	Yes
Broil	Yes
Clock	Yes
Convection Bake	Yes
Convection Convert	Yes
Convection Roast	Yes
Cook Time	Yes
Dehydrate	Yes
Delay Clean	Yes
Delay Start	Yes
Door Lock	Yes
Keep Warm	Yes
Kitchen Timer	Yes
Lockout	Yes
On-Off	Yes
Oven Light	Yes
Oven Lock	Yes
Perfect Turkey	Yes
Probe	Yes
Quick Preheat	Yes
Self Clean	Yes
Set Clock	Yes
Slow Cook	Yes
Steam Bake	Yes
Steam Clean	Yes
Steam Roast	Yes
Temperature Display	Yes
Timer On / Off	Yes

Cooking Controls Function

Change between Continuous Bake Setting or 12-Hour Energy Saving Feature	Yes
Delayed Bake	Yes
Program Fahrenheit or Celsius	Yes
Silent Control Panel	Yes

Cooktop

Cooking Surface Type	Gas
Grate Material	Cast Iron
Grate Quantity	3
Grate Style	Continuous
Sealed Burners	Yes

Controls

Control Lock	Yes
Sabbath Mode	Yes

Exterior

Backlit Knobs	Yes
---------------	-----

Electrical Specifications

Minimum Circuit Required	15 Amps
Voltage Rating	120 V

General Specifications

Frigidaire Fit Promise	Yes
Prop 65 Label	Yes
Warranty - Labor	1 Year
Warranty - Parts	1 Year
AB-1200	Information available at frigidaire.com/en/ab1200

Safety Certifications and Approvals

CSA Listed	Yes
RoHS	Yes

For planning purposes only. We reserve the right to change specifications or discontinue models without notice. Refer to Product Installation Guide for detailed installation instructions on the web at frigidaire.com/frigidaire.ca Electrolux Major Appliances, N.A.

USA • 10200 David Taylor Drive • Charlotte, NC 28262 • Charlotte, NC 28262 • 1-877-4electrolux (1-877-435-3287) • frigidaire.com
CANADA • 5855 Terry Fox Way • Mississauga, ON L5V 3E4 • 1-800-265-8352 • frigidaire.ca

Oven

Bake Element	18000 BTU
Broil Element	1400 Watts
Cleaning System	Yes
Convection	Yes
Convection Element	1400 Watts
Convection Type	Total
Number of Convection Fans	2
Number of Rack Positions	5
Oven Interior Color	Midnight Black
Oven Light Quantity	2
Oven Light Type	Halogen
Oven Light Watts	40 Watts
Rack Position Type	Ladder
Rack Type 1	Flat
Rack Type 1 Quantity	1
Rack Type 2	Glide
Rack Type 2 Quantity	1
Rack Type 3	Air Fry Tray
Rack Type 3 Quantity	1

Cooktop Performance

Right Front Element Burner	18,000 / 1,200 BTU Dual
Right Rear Element Burner	5,000 / 500 BTU
Left Front Element Burner	18,000 / 1,200 BTU Dual
Left Rear Element Burner	9,000 / 850 BTU
Center Front Element Burner	16,000 / 2,000 BTU
Center Rear Element Burner	16,000 / 2,000 BTU

Display

Control Location	Front
Display Light Color	White
Display Type	Capacitive Touch

Dimensions and Volume

Minimum Height	35 3/4"
Maximum Height	36 1/2"
Width	35 7/8"
Depth	25 7/8"
Depth With Door 90° Open	43 3/8"
Depth With Handle	27 5/8"
Oven Interior Height	13 3/4"
Oven Interior Width	30 5/8"
Oven Interior Depth	16 7/8"
Oven Capacity	4.6 Cu. Ft.

Installation

Adjustable Leveling Legs	Yes
Included Power Cord Type	3-Prong Plug
LP Conversion Kit Included	Yes
Plinth	Yes
Power Cord Included	Yes
Rear Ventilation Trim	Yes

Certifications and Approvals

Star-K Certification	Yes
----------------------	-----

Installation Diagram

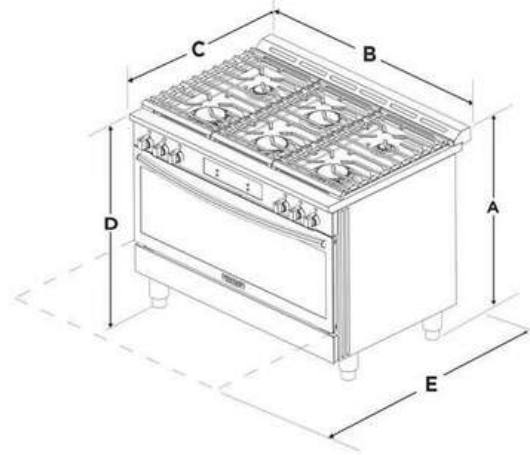


Figure 1: Product Dimensions

MODEL	A. HEIGHT	B. WIDTH	C. DEPTH TO FRONT OF RANGE	D. HEIGHT OF COOKTOP	E. DEPTH WITH DOOR OPEN
36"	37 7/8" (96.2 cm) Min.	35 7/8" (91.1 cm)	25 7/8" (65.7 cm)	35 3/4" (90.8 cm) Min.	43 3/8" (110.1 cm)
	38 5/8" (98.1 cm) Max.			36 1/2" (92.7 cm) Max.	

Cabinet Dimensions

Clearances and Dimensions

- Provide adequate clearances between the appliance and adjacent combustible surfaces.
- Location - Check location where the appliance will be installed. Check for proper electrical supply and floor stability.
- Dimensions shown must be used. Given dimensions provide minimum clearance. Contact surface must be solid and level.

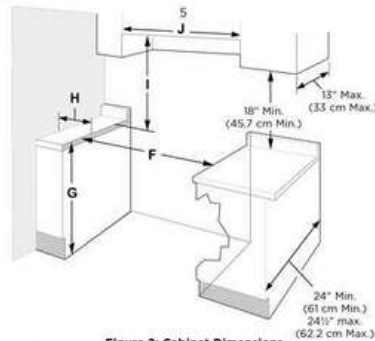


Figure 2: Cabinet Dimensions

MODEL	F. MINIMUM CUTOUT WIDTH	G. HEIGHT OF COUNTERTOP	H. CLEARANCE FROM SIDE WALLS ¹	I. CLEARANCE FROM COOKTOP AND CABINET BOTTOM ²	J. CLEARANCE WIDTH OF OVERHEAD CABINETS
36"	36" (91.4 cm)	36" (91.4 cm) Standard 35 3/4" (90.8 cm) Min.	5" (12.7 cm) Min.	36" (91.4 cm) Min.	36" (91.4 cm) Min.

NOTES:

1. Do not seal the range to the side cabinets.
2. Clearance from adjacent walls or other vertical surfaces or structures such as cabinets.
3. Measurements listed are minimum clearances between the cooktop and the bottom of the cabinet.
4. 0" clearance between range and cabinets or vertical surfaces that are below the cooktop height.
5. 0" clearance between range back and rear wall or cabinet.

*36" (914 mm) minimum clearance between the top of the cooking surface and the bottom of an unprotected wood or metal cabinet; or 30" (762 mm) minimum when bottom of wood- or metal cabinet is protected by not less than 1/4" (6mm) flame retardant milboard covered with not less than no.28 MSG sheet steel, 0.015"(0.4mm) stainless steel, 0.024"(0.6mm) aluminum or 0.020"(0.5mm) copper. 0"(0mm) clearance is the minimum for the rear of the range.

Follow all dimension requirement provided above to prevent property damage, potential fire hazard, and incorrect countertop and cabinet cuts.