



30" Front Control Electric Range with Air Fry

Electric Range

Available Products: PCFE3078AF

Available Colors: Stainless Steel

Version: 08/22

Product Specifications

Cooktop

Cooking Surface Type	Smooth
Element On Indicator Light	Yes

Cooking Controls

Bake	Yes
Broil	Yes
Cancel	Yes
Convection Bake	Yes
Convection Broil	Yes
Convection Roast	Yes
Delay Clean	Yes
Keep Warm	Yes
Probe	Yes
Quick Preheat	Yes
Self Clean	Yes

Drawer

Drawer Type	Storage
-------------	---------

Display

Display Type	Capacitive Touch
Control Location	Front

Electrical Specifications

Minimum Circuit Required	40 Amps
Voltage Rating	240 V

General Specifications

Prop 65 Label	Yes
Warranty - Labor	1 Year
Warranty - Parts	1 Year
Frigidaire Fit Promise	Yes

Safety Certifications and Approvals

UL Listed	Yes
-----------	-----

Cooktop Performance

Right Rear Element Burner Size	6"
Left Front Element Burner Size	7"
Left Rear Element Burner Size	7"
Right Rear Element Burner	1,200 Watts
Left Front Element Burner	1,800 Watts
Left Rear Element Burner	1,800 Watts
Keep Warm Burner Location	Center
Right Front Element Burner (Large)	3,000 Watts
Right Front Element Burner (Small)	1,800 Watts
Right Front Element Burner Size (Small)	9"
Right Front Element Burner Size (Large)	12"

Oven

Convection Element	900 Watts
Rack Position Type	Nickel Ladder
Number of Rack Positions	6
Rack Type 1	Handle
Rack Type 1 Quantity	1
Rack Type 2	Glide
Rack Type 2 Quantity	1
Rack Type 3	Air Fry Tray
Rack Type 3 Quantity	1
Window Type	Extra Large Window

Controls

Sabbath Mode	Yes
--------------	-----

Dimensions and Volume

Height	36 5/8"
Width	29 7/8"
Depth	26 3/4"
Depth With Door 90° Open	47"
Depth With Handle	29"
Oven Interior Height	19 7/8"
Oven Interior Width	24 3/8"
Oven Interior Depth	19 1/8"
Oven Capacity	5.4 Cu. Ft.

Installation

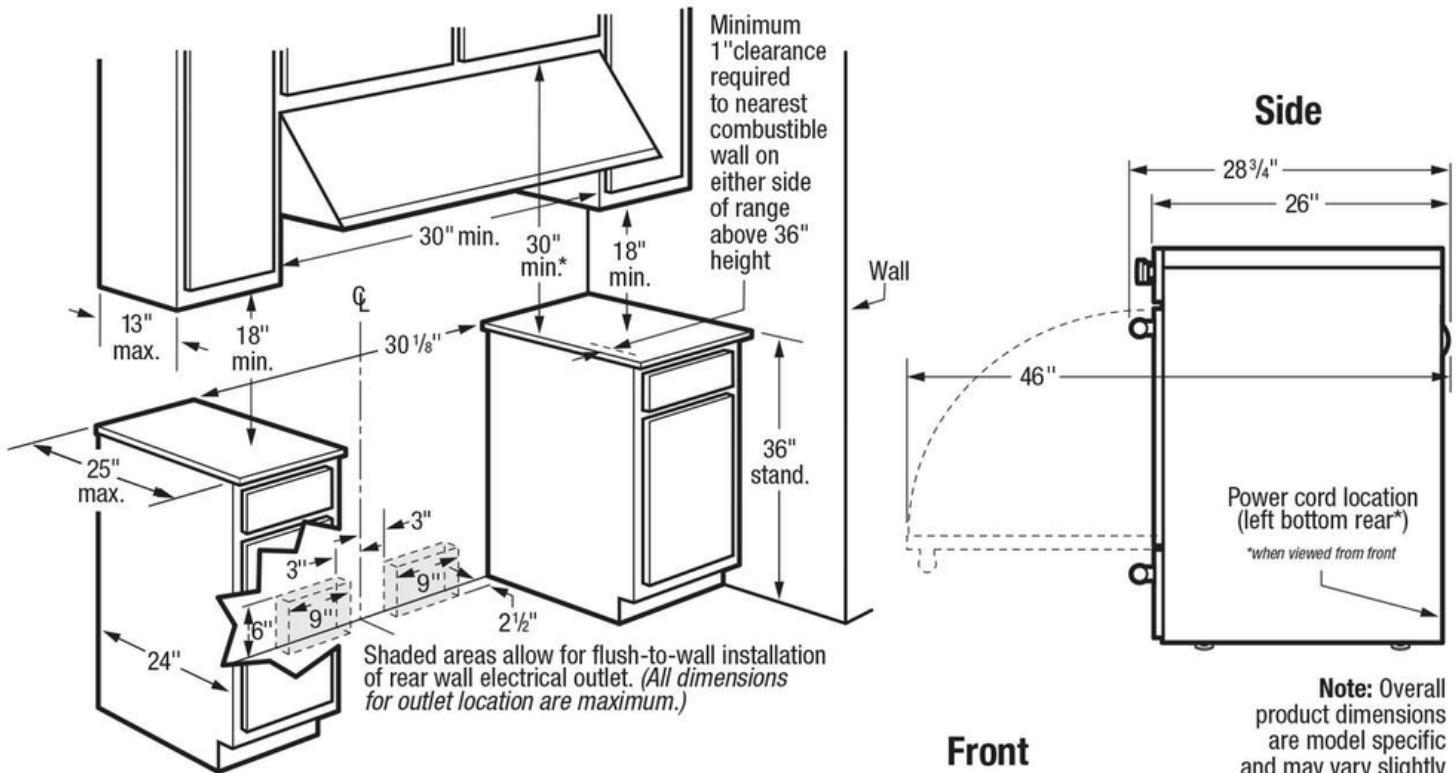
Power Cord Included	No
Adjustable Leveling Legs	Yes
Power Supply Connection Location	Bottom Left

Certifications and Approvals

ADA Compliant

Yes

Installation Diagram



Note: Overall product dimensions are model specific and may vary slightly from illustration. Refer to model's product specifications for actual dimensions.

***Note:** 30" minimum clearance between top of cooking surface and bottom of unprotected wood or metal overhead cabinet; or 24" minimum clearance when bottom of wood or metal overhead cabinet is protected by not less than 1/4" flame-retardant millboard covered with not less than No. 28 MSG sheet steel, 0.015" stainless steel, 0.024" aluminum or 0.020" copper. 0" clearance is minimum for rear of range. Follow all dimension requirements provided above to prevent property damage, potential fire hazard, and incorrect countertop and cabinet cuts.