

dacor

User Manual

Dual fuel Pro Range

DOP30*940**

⚠ WARNING

Never Operate the Top Surface Cooking Section of this Appliance Unattended

- **Failure to follow this warning statement could result in fire, explosion, or burn hazard that could cause property damage, personal injury, or death.**
- **If a fire should occur, keep away from the appliance and immediately call your fire department.**

DO NOT ATTEMPT TO EXTINGUISH AN OIL / GREASE FIRE WITH WATER.

WARNING : If the information in this manual is not followed exactly, a fire or explosion may result causing property damage, personal injury or death.

- **DO NOT** store or use gasoline or other flammable vapors and liquids in the vicinity of this or any other appliance.
- **WHAT TO DO IF YOU SMELL GAS**
 - **DO NOT** try to light any appliance.
 - **DO NOT** touch any electrical switch.
 - **DO NOT** use any phone in your building.
 - Immediately call your gas supplier from a neighbor's phone. Follow the gas supplier's instructions.
 - If you cannot reach your gas supplier, call the fire department.
- Installation and service must be performed by a qualified installer, service agency or the gas supplier.

ANTI-TIP DEVICE

⚠ WARNING

To reduce the risk of tipping the range, the range must be secured by a properly installed Anti-Tip device. **AFTER THE RANGE HAS BEEN INSTALLED, CONFIRM THAT THE ANTI-TIP DEVICE HAS BEEN PROPERLY INSTALLED AND VERIFY THAT THE ANTI-TIP DEVICE IS PROPERLY ENGAGED.** Refer to the installation manual for instructions.

- a) If the anti-tip device is not installed, a child or adult can tip the range and be killed.
- b) Verify the anti-tip device has been properly installed and engaged at the rear right (or rear left) of the range bottom.
- c) If you move the range and then move it back into place, ensure the anti-tip device is re-engaged at the right or left rear of the range bottom.
- d) Do not operate the range without the anti-tip device in place and engaged. Failure to do so can result in death or serious burns to children or adults.



⚠ WARNING

Do not step, lean, or sit on the oven door of the range. You can cause the range to tip, resulting in burns or serious injuries.

Confirm that the Anti-Tip device is installed properly. Then, to verify that the Anti-Tip device is engaged, grasp the top rear edge of the range and carefully attempt to tilt it forward. The Anti-Tip device should prevent the range from tilting forward more than a few inches.

If you pull the range out from the wall for any reason, make sure the anti-tip device is properly engaged when you push the range back against the wall. If it is not, there is a risk of the range tipping over and causing injury if you or a child stand, sit or lean on an open door.

Never completely remove the leveling legs. If you remove the leveling legs, the range will not be secured to the anti-tip device properly.

Regulatory Notice

1. Radio Apparatus Notice

CAUTION

Any changes or modifications not expressly approved by the party responsible for compliance could void the user's authority to operate the equipment.

The remote enable equipment installed on this product complies with Part 15 of FCC Rules and Innovation, Science and Economic Development Canada's license-exempt RSS(s). Operation is Subject to following two conditions:

- 1) This equipment may not cause harmful interference, and
- 2) This equipment must accept any interference received including interference that cause undesired operation.

For products available in the US/Canadian markets, only channels 1~11 are available. You cannot select any other channels.

1. Radio Apparatus STATEMENT:

This equipment has been tested and found to comply within the limits for a Class B digital device, pursuant to part 15 of the FCC Rules and Canadian ICES-003. These limits are designed to provide reasonable protection against harmful interference in a residential installation.

This equipment generates, uses, and can radiate radio frequency energy and, if not installed and used in accordance with the instructions, may cause harmful interference to radio communications. However, there is no guarantee that interference will not occur in a particular installation. If this equipment does cause harmful interference to radio or television reception, which can be determined by turning the equipment off and on, the user is encouraged to try to correct the interference by one or more of the following measures:

- Reorienting or relocating the receiving antenna
- Increasing the separation between the equipment and receiver
- Connecting the equipment to an outlet that is on a different circuit than the radio or TV
- Consulting the dealer or an experienced radio/TV technician for help.

RADIATION EXPOSURE STATEMENT:

This equipment complies with FCC and IC RSS-102 radiation exposure limits set forth for an uncontrolled environment. This equipment should be installed and operated so there is at least 8 inches (20 cm) between the radiator and your body. This device and its antenna(s) must not be co-located or operated in conjunction with any other antenna or transmitter.



To Our Valued Customer:

Congratulations on your purchase of the very latest in Dacor® products! Our unique combination of features, style, and performance make us a great addition to your home.

To familiarize yourself with the controls, functions, and full potential of your new Dacor range, read this manual thoroughly, starting with **Before you begin** (pg. 9).

Dacor appliances are designed and manufactured with quality and pride, while working within the framework of our company values. Should you ever have an issue with your range, first consult **Troubleshooting** (Pgs. 97 - 105), where you will find suggestions and remedies that may pre-empt a service call.

Valuable customer input helps us continually improve our products and services, so feel free to contact our Customer Assurance Team for assistance with all your product-support needs.

Dacor Customer Assurance

- **USA**
Samsung Electronics America, Inc.
85 Challenger Road
Ridgefield Park, NJ 07660
- **Canada**
Samsung Electronics Canada Inc.
2050 Derry Road West, Mississauga,
Ontario L5N 0B9 Canada

Telephone: 833-353-5483(USA), 844-509-4659(Canada)

Hours of Operation: Mon - Fri, 8:00 a.m. to 8:00 p.m. Pacific Time

Website: www.dacor.com

Thanks for choosing Dacor for your home. We are a company built by families for families, and we are dedicated to serving yours. We are confident that your new Dacor range will deliver top-level performance and enjoyment for decades to come.

Sincerely,

The Dacor Customer Assurance Team

Contents

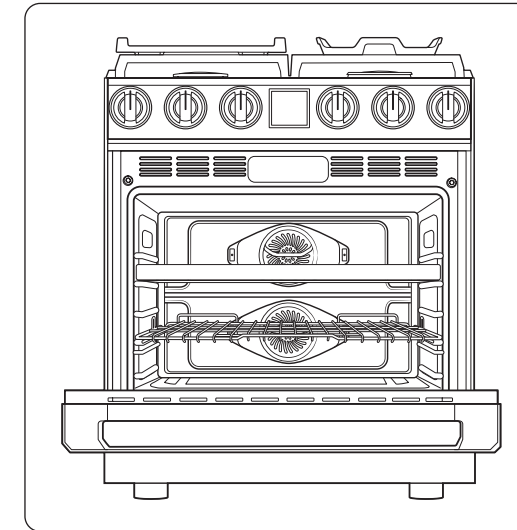
Before you begin	9
Important	9
About this manual	9
Important note to the installer	9
Important note to the consumer	10
Important note to the servicer	10
Energy saving tips	10
Oven vent/cooling vent	11
Important safety instructions	12
Read all instructions before using this appliance	12
Symbols used in this manual	12
California Proposition 65 Warning	12
Commonwealth of Massachusetts	12
General safety	13
Fire safety	14
Gas safety	14
Electrical and grounding safety	15
Location safety	16
Cooktop safety	17
Oven safety	19
Self-cleaning oven safety	20
Overview	21
Layout	21
Control panels and displays	21
Oven control panel	22
What's included	23
Using the cooktop	24
Burners	24
Ignition	25
Cookware	27
Grates	29
Griddle (Additional purchase Accessories)	30
Wok Ring	31
Using the oven	32
Basic settings - Clock, Time format	32
Kitchen timer	33
Timed cooking	34
Oven functions	35

Contents

Basic function instructions	38
Using the oven racks	40
Using the gliding rack	43
Air Fry mode	46
Stone bake mode	50
Using the special function feature	51
Air sous vide mode	53
Temperature probe	57
Clean feature	60
Green cleaning	64
Using the Sabbath feature	66
Using the Smart Control feature	68
To start the oven remotely	69
Child Lock	70
Settings	71
Using the hood control feature	74
Care and maintenance - Cooktop	76
Cleaning the cooktop surface	76
Stainless steel surfaces	77
Control knobs	78
Burner grates and components	79
Burner caps and heads	80
Burner bases	80
Electrodes	81
Burner head and cap replacement	82
Care and maintenance - Oven	84
Care and cleaning of the oven	84
Ladder racks	89
Replacing the Ladder racks	90
Removing the oven doors	92
Reinstalling the oven doors	94
Oven light	96
Troubleshooting	97
Information codes	104
Warranty and Service	106
Warranty	106
Open-Source Announcement	109

Before you begin

Important



- The overall design and/or accessories may differ with the model.

Clean the oven thoroughly before using it for the first time. Then, remove the accessories, set the oven to Bake, and then run the oven at 425 °F for 1 hour. There will be a distinctive odor. This is normal.

Ensure your kitchen is well ventilated during this conditioning period.

About this manual

READ THESE INSTRUCTIONS COMPLETELY AND CAREFULLY.

Important note to the installer

- Read all instructions contained in these installation instructions before installing the appliance.
- Remove all packing materials from the appliance compartments before connecting the electric and gas supply to the appliance.
- Observe all governing codes and ordinances.
- Be sure to leave these instructions with the consumer.
- Installation of this appliance requires basic mechanical skills.
- Proper installation is the responsibility of the installer.
- Product failure due to improper installation is not covered under the Warranty.

Installer

- To promote safety and minimize problems, read this manual thoroughly before starting the installation. Leave this manual with the user.
- Write the appliance's model/serial numbers in this manual for service/maintenance reference.

User

- Keep this manual for personal reference and for that of inspectors, service personnel, etc.

Before you begin

Important note to the consumer

Keep these instructions with your user manual for future reference.

- As when using any appliance generating heat, there are certain safety precautions you should follow.
- Be sure your appliance is installed and grounded properly by a qualified installer or service technician.
- Make sure the wall coverings around the range can withstand the heat generated by the appliance.
- Cabinet storage space above the range burners should be a minimum of 30 in (76.2 cm).

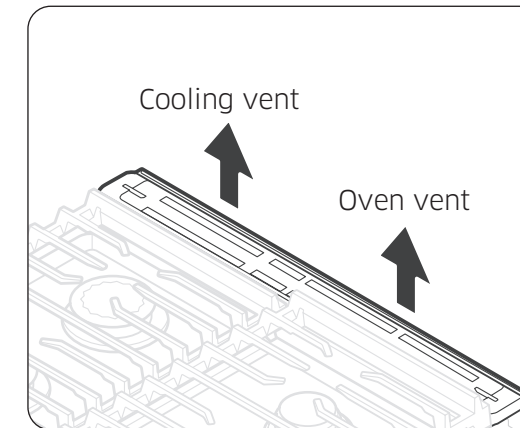
Important note to the servicer

The electrical diagram is attached inside the mini manual.

Energy saving tips

- During cooking, the oven door should remain closed except when you turn food over. Do not open the door frequently during cooking to maintain the oven temperature and to save energy.
- If cooking time is more than 30 minutes, you can switch the oven off 5-10 minutes before the end of the cooking time to save energy. The residual heat will complete the cooking process.
- To save energy and reduce the time needed for re-heating the oven, plan oven use to avoid turning the oven off between cooking one item and the next.
- Whenever possible, cook more than one item at a time.

Oven vent/cooling vent



Both the oven vent and the cooling vent are located at the back of the oven range. Proper air circulation prevents combustion problems and ensures good performance.

- Do not block the vent or its surroundings with objects.
- Use caution when placing items near the vent. Hot steam can cause them to overheat or melt.
- Be careful when operating the oven whatever the mode it is. The oven lets very hot air out through the vent.

Important safety instructions

Read all instructions before using this appliance

- All electrical and gas equipment with moving parts can be dangerous. Be sure to read the Important Safety Information in this manual. The instructions must be followed to minimize the risk of property damage, injury, or death.
- Keep this manual in a handy place so you can refer to it as needed.

Symbols used in this manual

WARNING

Hazards or unsafe practices that may result in severe personal injury or death.

CAUTION

Hazards or unsafe practices that may result in electric shock, personal injury, or property damage.

NOTE

Useful tips and instructions

These warning symbols are intended to prevent property damage and personal injury. Follow them explicitly.

California Proposition 65 Warning

WARNING

Cancer and Reproductive Harm - www.P65Warnings.ca.gov

Commonwealth of Massachusetts

This product must be installed by a licensed plumber or gas fitter qualified or licensed by the State of Massachusetts. When using ball-type gas shut-off valves, you must use the T-handle type. Multiple flexible gas lines must not be connected in series.

General safety

WARNING

To reduce the risk of fire, electric shock, personal injuries, and/or death, observe the following precautions.

- **Do not touch** any surface, component, or mechanism of the range during or immediately after cooking.
- **Learn** where and how to shut off the valve that feeds gas to the range.
- **Make sure** the **anti-tip device** is properly installed on the range. See the installation instructions for more information.
- **Do not let children near** the range. Do not let children go into the range or onto the range. Do not let children play with the range or any part(s) of the range. Do not leave children unattended in the kitchen when the range is in use. For children's safety, we recommend utilizing the control/door lockout feature.
- **Remove** all packaging before operating the range to keep this material from catching fire. Keep all packaging away from children. Properly dispose of packaging as soon as the range is unpacked.
- **Do not keep** objects of interest to children on or around the range.
- **Do not operate** the range if it is damaged in any way, if it malfunctions, or is missing parts.
- **Do not use** the range as a space heater. Use the range for cooking only.
- **Do not use** oven cleaners or oven liners in or around any part of the oven.
- **Use** only dry pot holders.
- **Do not use** the range to heat sealed food containers.
- **Do not strike** the oven glass.
- When disposing of the range, **cut off** the power cord and **remove** the door to prevent children and animals from getting trapped.
- **Unplug** the range before service/maintenance.
- **Make sure** all meat and poultry is cooked thoroughly. Meat should always be cooked to an internal temperature of 160 °F (71 °C). Poultry should always be cooked to an internal temperature of 180 °F (82 °C).
- Do not make any attempt to operate the electric ignition range burners during an electrical power failure.
- Keep the appliance area clear of combustible materials, gasoline, and other flammable vapors and liquids.
- **Teach** children not to touch or play with the controls or any part of the range. We recommend you utilize the control / door lockout feature to reduce the risk of misuse by children.
- An air curtain or other overhead range hood, which operates by blowing a downward airflow onto a range, shall not be used in conjunction with a gas range unless the hood and range have been designed and tested in accordance with the Standard for Domestic Gas Ranges, ANSI Z21.1 • CSA1.1, and listed by an independent testing laboratory for combination use.

Important safety instructions

Fire safety

⚠ WARNING

To reduce the risk of fire, electric shock, personal injury, or death, observe these precautions:

- **Do not store/place/use** combustible materials (e.g., paper, plastic, pot holders, linens, gasoline, alcohol) near the range.
- **Do not wear** loose fitting or hanging garments while using the range.
- To avoid grease buildup, **regularly clean** the vents.
- **Do not let** pot holders or other flammable materials touch a heating element. Do not use a towel or other bulky cloth in place of a pot holder.
- **Do not douse** a grease fire with water. Instead, turn off the heat source, and smother the fire with a tight-fitting lid, or use a multi-purpose, dry-chemical or foam extinguisher.
- **Do not heat** unopened food containers. The buildup of pressure may cause the containers to burst and result in injury.
- Do not use the oven for storage. Paper and other flammable items stored in the oven can ignite.
- **Do not put** any combustible material or items around the range.

Gas safety

⚠ WARNING

To reduce the risk of fire, electric shock, personal injury, or death, observe these precautions:

If you smell gas:

- **Close the valve** and do not use the range.
- **Do not light** a match, candle, or cigarette.
- **Do not turn on** any gas or electric appliances.
- **Do not touch** any electrical switches or plug in a power cord.
- **Do not use** any phone in your building.
- **Evacuate** everyone from the building.
- **Immediately call** your gas supplier from a neighbor's phone. Follow the gas supplier's instructions.
- If you cannot reach your gas supplier, call the fire department.

Checking for gas leaks

Leak-testing the appliance must be done according to the manufacturer's instructions. **Do not use** a flame to check for gas leaks. Use a brush to spread a soap-and-water solution around the area you are checking. If there is a gas leak, small bubbles will appear in the solution. When not sure, call for professional help.

Electrical and grounding safety

⚠ WARNING

To reduce the risk of fire, electric shock, personal injury, or death, observe these precautions:

- Plug the range into a grounded 4-prong outlet.
- **Do not remove** the grounding prong.
- **Do not use** an adapter or an extension cord.
- **Do not use** a damaged power plug, power cord, or loose power outlet.
- **Do not modify** the power plug, cord, or outlet.
- **Do not put** a fuse in a neutral or ground circuit.
- Use a dedicated 240 Vac, 60-Hz, 40-Amp breaker for this Range. A time-delay fuse or circuit breaker is recommended. Do not plug more than one appliance into this circuit.
- **Do not connect** the ground wire to plastic plumbing lines, gas lines, or hot water pipes.
- This range **must be Earth grounded**. If the range malfunctions or breaks down, grounding reduces the risk of electric shock by providing a safe path for the current. This range's power cord has a grounding plug, which must be firmly plugged into an outlet that is properly installed and grounded according to local regulations. If you are not sure your electrical outlet is properly grounded, have it checked by a licensed electrician.
- The range is supplied with a 4-pronged grounded plug. This cord must be plugged into a mating, grounded 4-prong outlet that meets all local codes and ordinances. If codes permit the use of a separate ground wire, we recommend that a qualified electrician determine the proper path for this ground wire.
- Electrical service to the range must conform to local codes. Barring local codes, it should meet the latest ANSI/NFPA No. 70 - Latest Revision (for the U.S.) or the Canadian Electrical Code CSA C22.1 - Latest Revisions.
- The range owner shall ensure that the proper electrical service is provided for the range.

Important safety instructions

Location safety

WARNING

To reduce the risk of fire, electric shock, personal injuries, and/or death, observe the following precautions.

- This range is for indoor, household use only. **Do not install** the range outdoors or anywhere that it will be exposed to weather/water or wind/strong drafts.
- Select a level, well-constructed floor that can support the range's weight. Synthetic flooring, such as linoleum, must withstand 180 °F (82 °C) temperatures without shrinking, warping, or discoloring. **Do not install** the range directly over interior kitchen carpeting unless a sheet of ¼ inch plywood or a similar insulator is placed between the range and carpeting.
- For the range to ventilate properly, make sure the range's vents are not blocked or covered, and that there is enough clearance at the top, back, sides, and underneath the range. The vents allow the necessary exhaust for the range to operate properly with correct combustion and get the good cooking result. Blocking or covering the vents may cause incorrect combustion which could result in gas leaks and fire.
- **Make sure** the wall coverings around the range can withstand heat up to 200 °F (93 °C) generated by the range.
- Cabinet storage above the surface of the range should be avoided. If cabinet storage above the range is necessary, allow a minimum clearance of 30 inches (76.2 cm) between the cooking surface and the bottom of the cabinets or install a range hood that projects horizontally a minimum of 5 inches (12.7 cm) beyond the bottom of the cabinets.
- **Locate** the range out of kitchen traffic paths and drafty locations to prevent poor air circulation.
- If the range is located near a window, NEVER hang long curtains or paper blinds on that window. They could blow over the surface burners and ignite, causing a fire hazard.

Cooktop safety

WARNING

To reduce the risk of fire, electric shock, personal injury, or death, observe these precautions:

- **Make sure** all burners are off when not in use.
- **Do not use** aluminium foil to line the grates or any part of the cooktop. This can cause carbon monoxide poisoning. Aluminum foil linings may also trap heat, causing a fire hazard. **Do not leave** burners unattended on medium or high heat settings.
- Before igniting, make sure all burner caps are properly in place and all burners are level.
- **Always use** the Lite position when igniting the burners and make sure the burners have ignited. If ignition fails, turn the knob to **Off** and wait for the gas to dissipate before re-igniting the burner.
- When you set a burner to simmer, **do not turn** the knob quickly. Make sure the flame stays on.
- To heat food, you must have a ventilation hood. When you heat food, the hood must be on.
- Before removing or changing cookware, turn off the burners.
- Remove food and cookware immediately after cooking.
- Before removing any parts of the burner for cleaning, make sure the range is off and completely cool.
- After cleaning the burner ring, make sure it is completely dry before re-assembling.
- **Make sure** the spark mark on the dual burner ring is placed beside the electrode when it is assembled.
- To avoid carbon monoxide poisoning, **do not pour** water into the cooktop well while cleaning.
- Select cookware that is designed for cooktop cooking. Use recommended cookware no larger than the cooktop grates.
- To avoid cookware discoloration, deformity, and/or carbon monoxide poisoning, do not use cookware that is substantially larger than the grate.
- Make sure cookware handles are turned to the side or rear of the cooktop, but not over other surface burners or the front edge of the cooktop.
- Do not stand directly over a pot while frying food.
- Always heat frying oils slowly, and watch as they heat. If you are frying foods at high heat, carefully monitor the cooking process. If you are going to combine fats or oils when frying, mix them before heating.
- Use a deep-fry thermometer when possible so you do not heat the oil beyond its smoke point.

Important safety instructions

- Use a minimum amount of oil when shallow pan-frying or deep-frying. Do not fry frozen, icy, cold, or wet food.
- Before moving cookware full of fats or oils, make sure it has completely cooled.
- To prevent delayed eruptive boiling, always allow heated liquids to stand at least 20 seconds after you have turned off the burner so that the temperature in the liquid can stabilize. In the event of scalding, follow these first-aid instructions:
 - Immerse the scalded area in cool water for at least 10 minutes.
 - Do not apply any creams, oils, or lotions.
 - Cover with a clean, dry cloth.
- Place pots in the center of the grate. Do not place a pot larger than 9" in diameter on the rear burners. If you place an oversized pot in the wrong position, it might disrupt necessary air circulation and make the flame on the burner sputter and burn inefficiently.
- **Do not wear** loose or hanging garments when using the range. They could ignite and burn you if they touch a surface burner.
- **Never leave** plastic items on the cooktop. Hot air from the vent can melt or ignite plastic items or cause build up of dangerous pressure in closed plastic containers. The melted plastic may clog the vents at the rear of the range. Clogged vents may cause incorrect combustion which could result in gas leaks and fire. You may get severe burns if you touch the surfaces near the vent while the oven is operating.
- **Do not place** portable appliances, or any other object other than cookware on the cooktop. Damage or fire could occur if the cooktop is hot.
- **Always make sure** the controls are **Off** and the grates are cool before you remove them to prevent any possibility of being burned.
- **Do not put** any combustible material or items around the range.
- Do not touch the burners when they are on. Turn off the burners when you change a pan or pot.

Oven safety

⚠ WARNING

To reduce the risk of fire, electric shock, personal injuries, and/or death, observe the following precautions.

- **Do not use** the oven for non-cooking purposes such as drying clothes or storage. Use the oven for cooking only.
- **Make sure** the oven racks are placed on the same level on each side.
- **Do not damage, remove, or clean** the door gasket.
- **Do not spray** water on the oven glass while the oven is on or just after you have turned it off.
- Stand aside when opening the oven door.
- Keep the oven free from grease buildup.
- When repositioning the oven racks, **make sure** the oven is completely cool.
- **Do not** put plastic items inside the oven.
- To avoid damaging the burner control knobs or oven control, always bake and/or broil with the oven door closed.
- **Do not** place meat too close to the broil element. Trim excess fat before broiling.
- When using cooking or roasting bags in the oven, follow the manufacturer's directions.
- **NEVER cover** any slots, holes, or passages in the oven bottom or cover an entire rack with material such as aluminum foil. Doing so blocks air flow through the oven and may cause carbon monoxide poisoning. Aluminum foil linings may also trap heat, causing a fire hazard.

Important safety instructions

Self-cleaning oven safety

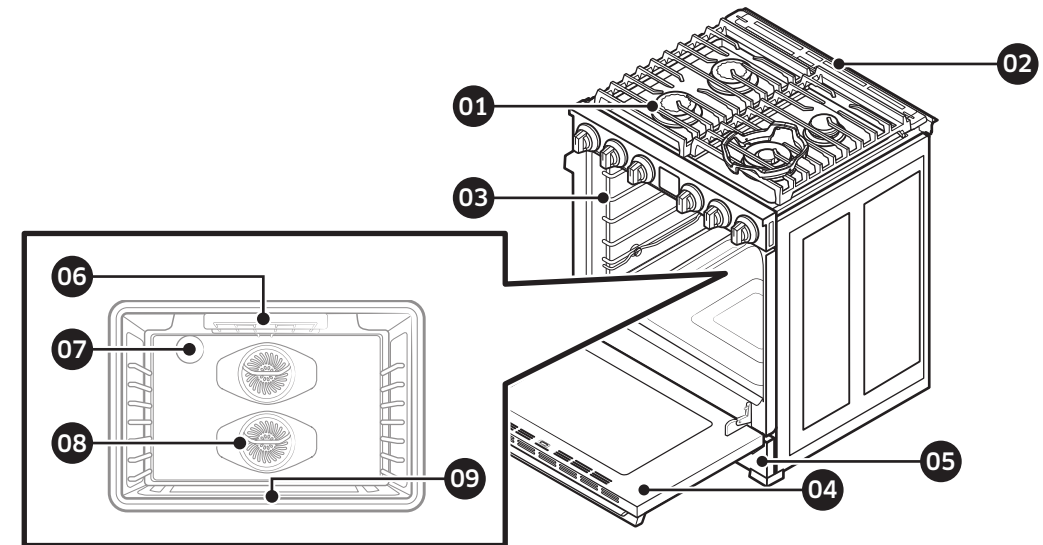
⚠ WARNING

To reduce the risk of fire, electric shock, personal injuries, and/or death, observe the following precautions.

- The self-cleaning feature operates the oven at temperatures high enough to burn away food soils in the oven. The range is extremely hot during a self-cleaning cycle. **Do not touch** any surfaces of the range during a self-cleaning cycle.
- Keep children away from the oven during a self-cleaning cycle.
- Before starting a self-cleaning cycle, remove all loose items from the oven, and wipe down all oven surfaces.
- After a self-cleaning cycle, stand aside when opening the oven door.
- If the self-cleaning cycle malfunctions, turn off the oven, turn off the power breaker, and contact a qualified service technician.
- Some birds are extremely sensitive to the fumes given off during the self-cleaning cycle of any oven. Move birds to another well-ventilated room.

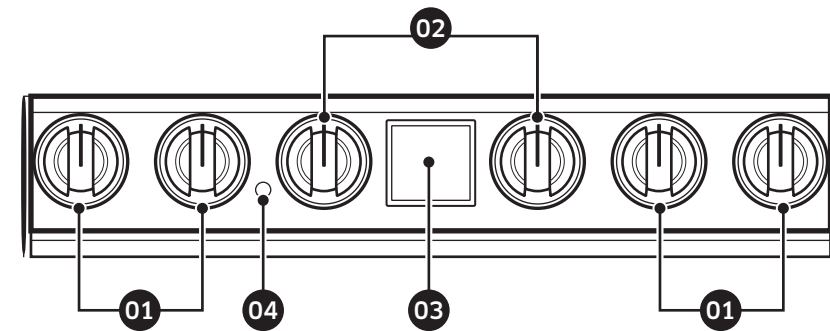
Overview

Layout



01 Surface burners	02 Oven vent cover
03 Ladder racks	04 Removable oven door
05 Storage Drawer	06 Broil oven heater
07 Oven light (1 location)	08 Convection fan
09 Bake oven heater	

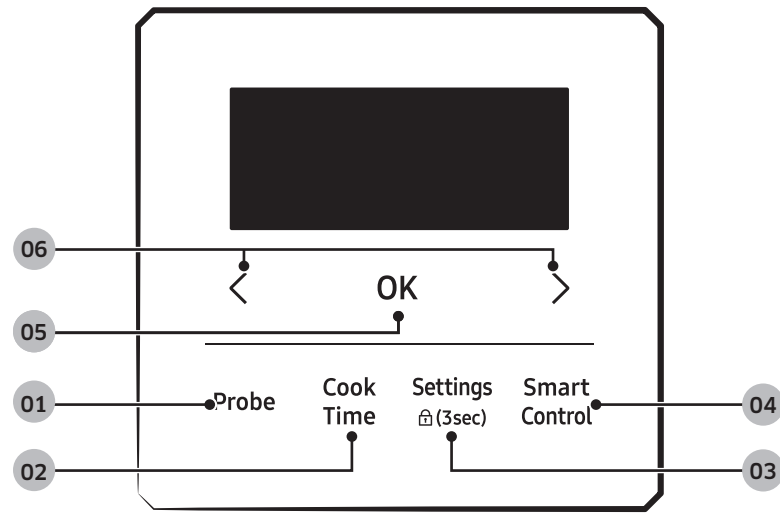
Control panels and displays



01 Surface burner knobs (4 pcs)	02 Oven burner knobs (mode, temperature) (2 pcs)
03 Oven control panel	04 Oven light button

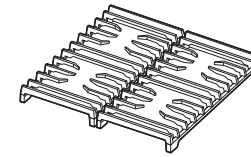
Overview

Oven control panel

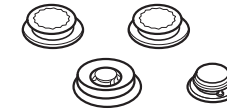


- 01** Probe : Activate the temperature probe mode.
- 02** Cook Time : Set the cooking time.
- 03** Settings : Display the user options available.
- 04** Smart control : Set Smart control function On / Off.
- 05** OK : Start a function or set the time.
- 06** <, > : Select a function or set time.

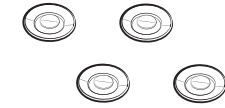
What's included



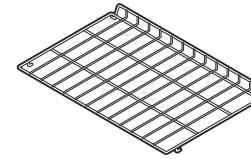
Grates (2)



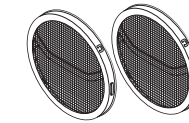
Burner heads (4) and
Burner caps (4)



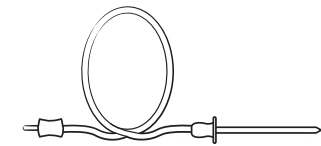
Brass burner caps(4)



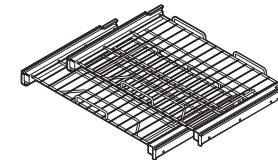
Flat rack (1)



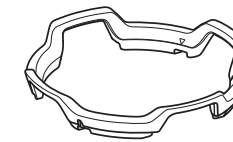
Convection filters (2)



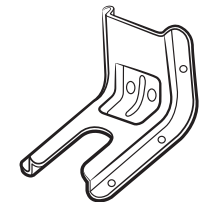
Temperature probe (1)



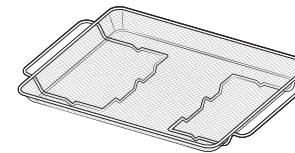
Gliding racks (2)



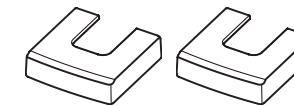
Wok ring (1)



Anti-tip bracket (1)



Air Fry tray (1)



Front leg covers (2)

The range (some models) is supplied with two different types of burner caps (brass and porcelain) to suit the customer's preference. The brass discolours with use; the discoloration does not affect function.

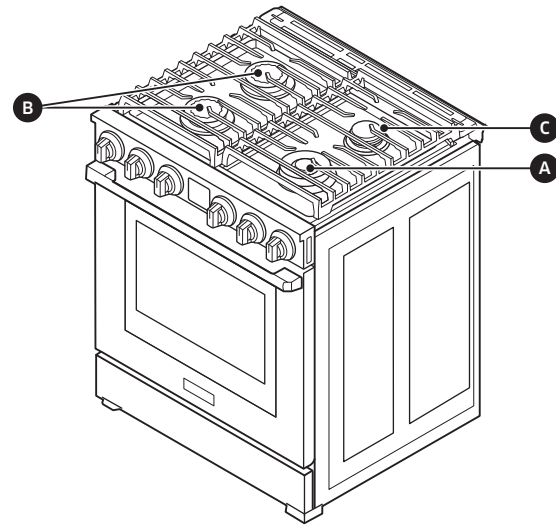
NOTE

- You need to insert convection filters before using oven.
- Warranty does not cover discoloration of brass burner caps.

Using the cooktop

Burners

There are three different types of burners on your range. See the diagram below for heat output and location. Each burner generates a spark when the knob is rotated to the Lite spark position. (Do not use the cooktop if the spark is not activated). When the burner ignites, the spark stops automatically. The gaskets under the burners prevent spilled liquids from leaking into the range's internal parts.

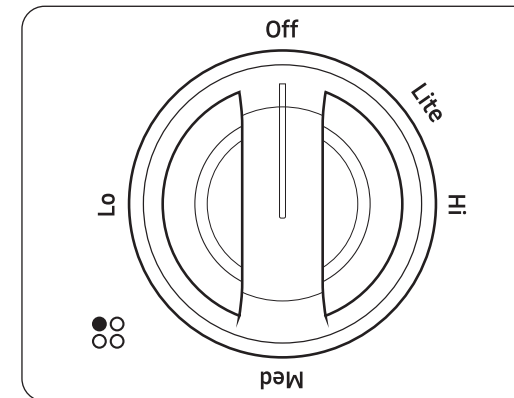


A	23K BTU Dual burner
B	16K BTU Stack burner
C	9.5K BTU Stack burner

Each burner is designed for a specific purpose, as detailed in this table:

Burner	Position	Purpose	Food type
Dual burner 23K BTU	Right Front (RF)	Power heating / Low simmering	Boiling food Tomato sauce
Stack burner 16K BTU	Left Front (LF)	Quick heating	General food, casseroles
	Left Rear (LR)		
Stack burner 9.5K BTU	Right Rear (RR)	Low simmering	Delicate food that requires low heat for a long time

Ignition



NOTE

Each control knob has a corresponding burner. The location of corresponding burner is marked next to the knob.

To light a burner :

1. Push in the knob and turn it counterclockwise to the Lite position. The igniter for the burner will spark repeatedly until it lights. The spark makes a "clicking" sound. The burner should light within four seconds. The flame should burn evenly around the burner, except underneath each grate support finger, where the flame height is reduced by Dacor's Smart Flame feature. A normal flame is steady and blue. Foreign material in the gas line, especially in new construction, may cause a temporary orange flame during initial operation. Small yellow tips on the flames are normal when using LP gas. If a burner does not ignite, the igniter continues to spark or if the flame is not spread evenly around the burner cap, see the **Troubleshooting** section on page 97.
2. Place the cooking utensil on the grate.
3. Adjust the flame to the cooking task.

NOTE

Turn off the burner if there is no spark, and verify that power is supplied to the range. Never manually light a burner during a power failure.

Using the cooktop

Tips

- Food cooks just as quickly at a gentle boil as it does at a vigorous, rolling boil. Boil foods gently to conserve energy, flavor, and nutrients.
- Use a low or medium flame when cooking with utensils that are poor heat conductors (glass, ceramics, cast iron). Adjust the flame to cover 1/3 of the cookware diameter to ensure even heating and reduce risk of burning/scorching the food.

Flame level

The flames on the burners should always stay under the cookware.

Before using burner knobs...

To prevent change in flame size, each burner knob only can be operated by push-turn method.

Also, the user will encounter stop points when turning the knob. At each stop point, push-turn the knob to continue. The knob can be turned only if the user intends to change flame size.

Cookware

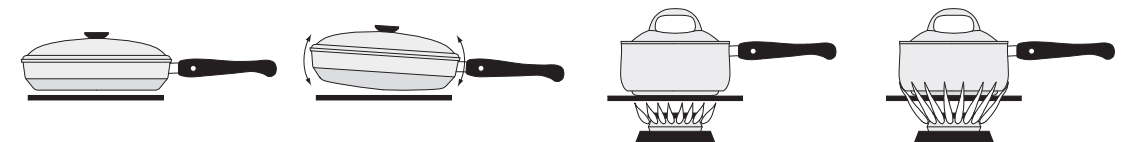
⚠ WARNING

- Cookware with rough bottoms can permanently damage the grate surfaces.
- To avoid burns, always turn pan handles to a position where they cannot be easily hit. Handles should not extend over adjacent burners or the front edge of the cooktop. Always set cookware gently onto the grates and center them so that they are well-balanced.
- Do not drag cookware across the grates. Sliding may damage the finish. Lift cookware to reposition them.
- To avoid burns and fire hazards, ensure the burner flame stays under the cookware.
- When using glass cookware, make sure it is designed for cooktop cooking.
- Make sure you hold the handle of a wok or a small one-handed pot while cooking.

For overall safety and best performance, select the correct cookware for the food being cooked. Improperly selected cookware will not cook evenly or efficiently.

Use cookware that:

- Has flat, smooth bottoms
- Has tight fitting lids to keep heat, odors and steam in
- Well-balanced with the handle weighing less than the main portion of the pot or pan.



Recommended

Not recommended

Recommended

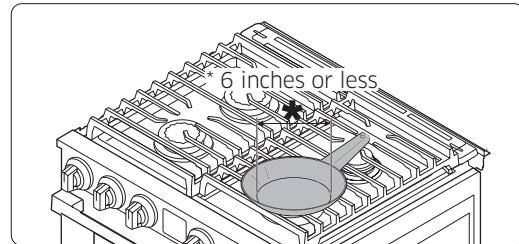
Not recommended

Using the cooktop

Material characteristics

- **Aluminum:** An excellent heat conductor. Some types of food may cause the aluminum to darken. However, anodized aluminum cookware resists staining and pitting.
- **Copper:** An excellent heat conductor but discolors easily.
- **Stainless steel:** A slow heat conductor with uneven cooking performance but is durable, easy to clean, and resists staining.
- **Cast-Iron:** A poor conductor but retains heat very well.
- **Enamelware:** Heating characteristics depend on the base material.
- **Glass:** A slow heat conductor. Use only glass cookware that is specified for cooktop cooking or oven use.

Size limitations



⚠ WARNING

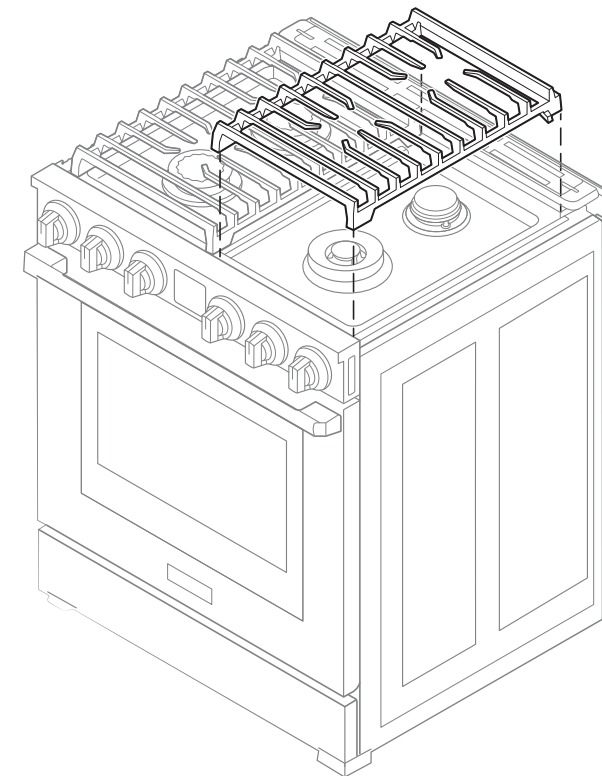
Do not place a small pan or pot with a bottom diameter of about 6 inches or less on the large burner, this size pan may tip over and cause injury. Use the rear burners for this small sized cookware.

Grates

Gently set the grates on the top of the spill tray. Put the legs of each grate into the corresponding dimples.

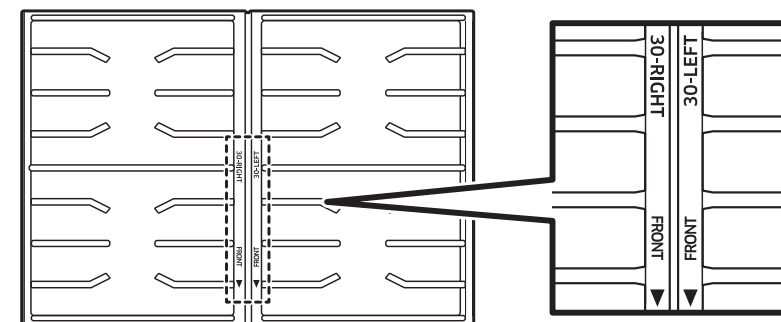
📖 NOTE

The grates are heavy. Be careful handling the grates.



📖 NOTE

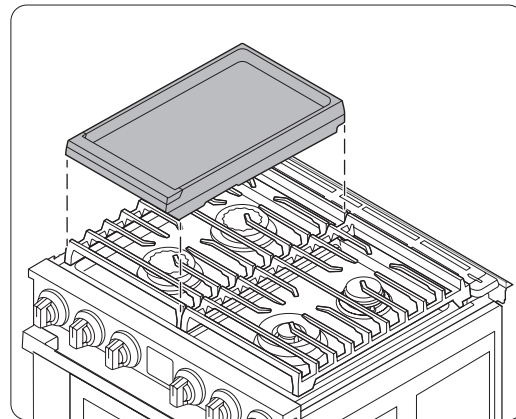
Before installing grates, check the words under the grates. The words inform you where the front side is and the proper position of grate, right, center or left.



Using the cooktop

Griddle (Additional purchase Accessories)

- Before using the griddle for the first time, wash it in hot, soapy water, then rinse, and let it dry fully.
- For best results, preheat the griddle for 5 minutes.
- Orient the griddle's grease trap at the rear of the cooktop.



1. With all burners off and the range cool to the touch, place the griddle and grate in the left of cooktop.
 - The specified burners are the same size, which ensures even cooking front and rear.
 - Fit the tabs on the bottom of the feet into the inside corners of the grate. Slight rocking is normal.
2. push-turn the Left burners knob to the Ignite (flame) setting. The burner ignites.

⚠ CAUTION

Avoid using metal utensils on the surface because they can scratch the non-stick coating.

📄 NOTE

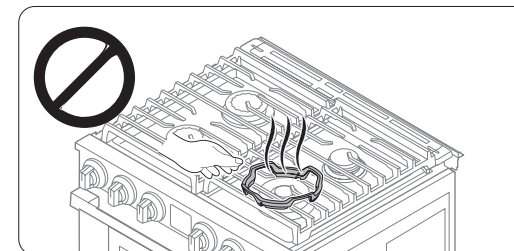
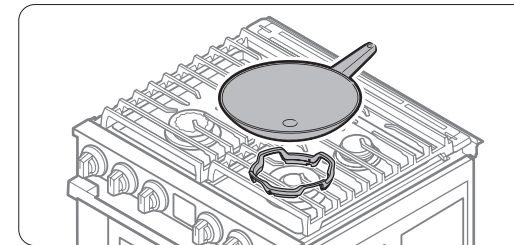
Clean the griddle after each use.

The information for preheating is as below table.

Type of food	Preheating time	Preheating setting	Cook setting
Pancakes	3 - 5 min	Med - Lo	Med - Lo
Hamburgers	3 - 5 min	Med - Hi	Med - Hi
Fried Eggs	3 - 5 min	Med - Lo	Med - Lo
Bacon	3 - 5 min	Med	Med
Breakfast Sausage	3 - 5 min	Med	Med

Wok Ring

Woks are often used for stir frying, pan frying, deep frying, and poaching. The provided wok Ring supports 12" to 14" woks.



1. Turn off all burners, and wait until the grates completely cool down.
2. Place the wok Ring on the grate over the 23K BTU Dual burner.
3. Put a wok on the wok Ring. Make sure the wok settles on the wok Ring.
4. Turn on the burner, and adjust the flame level as appropriate.

⚠ CAUTION

- Do not remove the wok Ring until the cooktop grates, surfaces, and wok Ring completely cool down.
- Do not use cookware with a flat bottom or with a diameter less than the wok ring diameter. The cookware may tip over.
- Do not use an oversized wok. The burner flames may spread out, causing damage nearby.
- Do not use the wok grate and the griddle at the same time.

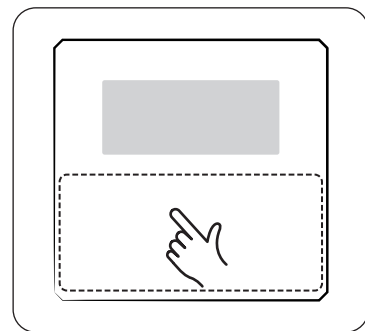
Using the oven

Basic settings – Clock, Time format

Sleep

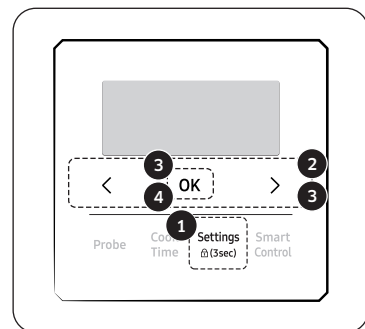
After 1 minute of inactivity (or 1 minute when the oven is in standby mode), Settings, Smart control Light Off. After 5 minutes Clock light off and the control panel enters Sleep mode. In Sleep mode, the control panel stays inactive until it is reactivated by the user.

wake up



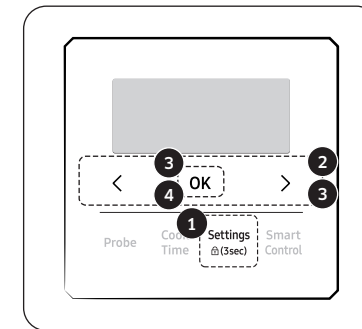
1. To activate the control panel, touch the lower area of the screen to wake it up. Touch the lower area once again, user preferences are available the settings and smart control.

Clock theme



1. Press the **Settings** button.
2. Press **<**, **>** to select Set Time.
3. Tap **OK**. Press **<**, **>** to set the current time and tap **OK**.
Display the AM/PM option, and then choose by pressing **<**, **>**.
4. Tap **OK** to confirm the settings.

Time format

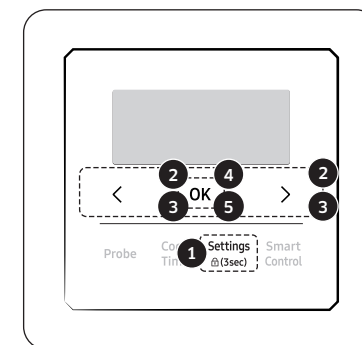


1. Press the **Settings** button.
2. Press **<**, **>** to select Time Format.
3. Tap **OK** and then press **<**, **>** to select 24 hr / 12 hr format.
4. Tap **OK**.

Kitchen timer

The kitchen timer serves as an extra timer that will beep when the set time has elapsed. It does not start or stop cooking functions. You can use the kitchen timer with any of the other oven functions.

How to set the timer



1. Press the **Settings** button.
2. Press **<**, **>** to select Timer and the Tap **OK**.
3. Press **<**, **>** key to adjust 'hr' timer. Press **OK** to move to 'min' setting. (Long press to increase or decrease time rapidly)
4. Tap **OK**.
5. When the set time elapses, the oven beeps and displays the 'Time is up' message. Tap the **OK** button to delete the message.

Using the oven

Timed cooking

In timed cooking mode, the oven turns on immediately and cooks for the length of time you select.

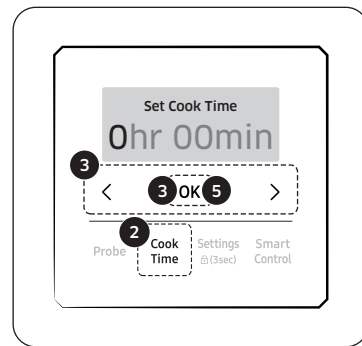
At the end of the cooking time, the oven turns off automatically.

- You can use the timed cooking feature only with another cooking operation. (Bake, Convection Bake (Pure), Convection Roast (Pure), Air Fry, Proof, Stone Bake Mode, Air Sous Vide, Dehydrate).

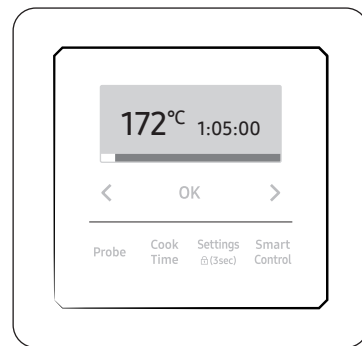
NOTE

Available modes for each oven can be found on page 35.

How to set the oven for timed cooking



- Select the cooking mode you want.
- Press the **Cook Time** button.
- Press **<**, **>** key to adjust 'hr' cook time. Press **OK** to move to 'min' setting. (Long press to increase or decrease time rapidly)
- You can set the cooking time for any amount of time from 1 minute to 9 hours and 59 minutes. (Only Air-Sous Vide mode available 99 hr 59 min)
- Press **OK**.



- The cooking time is displayed in the Cook Time area on the screen.

NOTE

You can cancel a cook time at any time by setting the Cook Time to 0 minutes.

CAUTION

Use caution with the timed cooking features. You can use these features to cook cured or frozen meats and most fruits and vegetables.

Food that can easily spoil (milk, eggs, and thawed or fresh fish, meat, or poultry) should be chilled in the refrigerator first.

Even when chilled, they should not stand in the oven for more than 1 hour before cooking begins, and should be removed promptly when cooking is completed.

Eating spoiled food can result in sickness from food poisoning.

Oven functions

Oven	Oven functions
Basic oven	Bake, Convection Bake (Pure), Convection Roast (Pure), Broil, Air Fry, Stone Bake Mode, Keep warm, Clean, Special Function.

Cooking mode

Select the cooking mode you want. Set the temperature you want.

See **Basic function instructions** on page 38.

Mode	Temperature range	Temp Probe
Bake	Lo - 550 °F (285 °C)	✓
Convection Bake (Pure)	Lo - 550 °F (285 °C)	✓
Convection Roast (Pure)	Lo - 550 °F (285 °C)	✓
Broil	Lo / Med / Hi	✗
Air Fry	350 °F (175 °C) - 500 °F (260 °C)	✗
Stone Bake Mode	350 °F (175 °C) - 500 °F (260 °C)	✗
Keep warm	175 °F (80 °C)	✗

✓ = Available / ✗ = Not Available

Using the oven

Using the oven

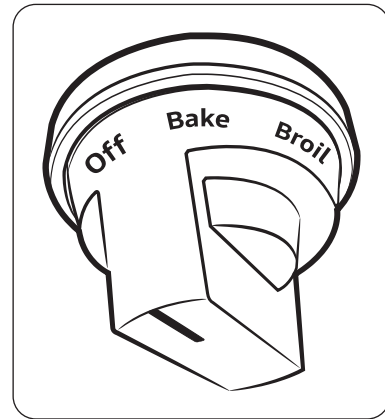
Mode	Instruction
Bake	<ul style="list-style-type: none"> Bake mode is used for baking cakes, cookies, and casseroles. Always preheat the oven. Baking temperatures and times will vary depending on the ingredients and the size and shape of the baking pan used. Dark or nonstick coatings may cook faster with more browning.
Convection Bake (Pure)	<ul style="list-style-type: none"> Convection Bake (Pure) uses a fan to circulate the oven's heat evenly and continuously within the oven. This improved heat distribution allows for even cooking and excellent results while using multiple racks. Provides the best performance for cookies, biscuits, brownies, cupcakes, cream puffs, sweet rolls, angel food cake and bread. When convection baking with one rack, place the rack at Level 3 or 5. When convection baking with two racks, place them at Levels 3 and 5 for cake and cookies. The oven temperature must be manually reduced by 25 °F while using Convection Bake (Pure) mode. In this mode, 4-part pure convection is applied.
Convection Roast (Pure)	<ul style="list-style-type: none"> Convection Roast (Pure) is good for cooking large tender cuts of meat, uncovered. The convection fan circulates the heated air evenly over and around the food. Meat and poultry are browned on all sides as if they were cooked on a rotisserie. The heated air seals in juices quickly for moist and tender results while, creating a rich, golden-brown exterior. In this mode, 4-part pure convection is applied.
Broil	<ul style="list-style-type: none"> Broiling cooks tender cuts of meat by direct heat under the broil element of the oven. The high heat cooks quickly, creating a rich, golden-brown exterior. Broil mode is best for cuts of meat, fish, and poultry up to 1 inch in thickness. Always preheat the oven for 5 minutes before broiling. See the Broiling guide section starting on page 45.

Mode	Instruction
Air Fry	<ul style="list-style-type: none"> Air Fry uses hot air for crispier and healthier frozen or fresh foods without or less oil than normal convection mode. For best results, use this mode in single oven mode and place the Air Fry tray in position 3. Preheating is not necessary for this mode. The temperature can be set between 350 °F - 500 °F.
stone bake mode	<ul style="list-style-type: none"> Stone accessory required. Bake on a baking or pizza stone for pizza and bread. Always do preheat with a stone for the best results. Preheating will take about 20 - 30 mins. When the beep sounds, put pizza or bread on the rack position 2 or 3.
Keep Warm	<ul style="list-style-type: none"> The keep warm mode will keep cooked food warm for serving up to 3 hours after cooking has finished. You can use the keep warm mode without any other cooking operations or you can set it to activate after a timed or delay timed cooking operation. You should not use this mode to reheat cold food.

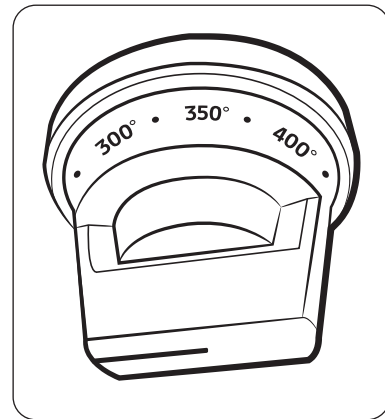
Using the oven

Using the oven

Basic function instructions



1. Select the cooking mode you want.



2. Set the temperature you want.

- Broil mode can be set only Hi, Med or Lo.
- Keep Warm temperatures cannot be changed.

⚠ CAUTION

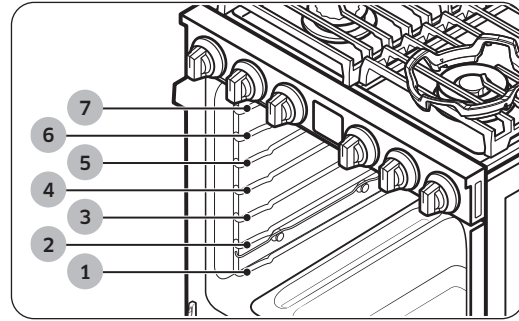
- Place food in the oven after preheating if the recipe calls for it. Preheating is very important for good results when baking cakes, cookies, pastry, and breads. After the oven has reached the desired temperature, the oven will beep.
- The convection oven fan shuts off when the oven door is opened.
- DO NOT leave the door open for long periods of time while using convection cooking or you may shorten the life of the convection heating element.

📄 NOTE

- If you leave the oven door open for more than 20 seconds when the oven is on, all heating elements will shut off automatically.
- When you have finished cooking, the cooling fan will continue to run until the oven has cooled down.
- If you are using an oven thermometer in the oven cavity, the temperature registered by the thermometer may differ from the actual set oven temperature.
- For performance reasons, the convection fan may turn on or off while the oven is cooking.
- This oven is designed for CLOSED DOOR broiling. The oven door must be closed during broiling.

Using the oven

Using the oven racks



Recommended rack positions for cooking

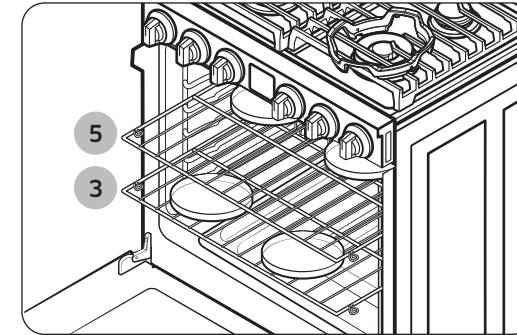
Type of food	Rack position
Broiling hamburgers	7
Broiling meats or small cuts of poultry, Fish	4 - 6
Bundt cakes, Pound cakes, Frozen pies, Casseroles	3 - 4
Fresh Pizza, Angel food cakes, Small roasts	2
Turkey, Large roasts, Hams	1

- This table is an example list for reference only.

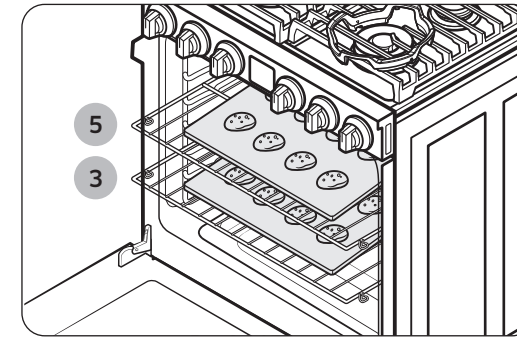
⚠ CAUTION

- Do not cover an oven rack with aluminum foil. This will disturb the heat circulation, resulting in poor baking.
- Do not place aluminum foil on the oven bottom. The aluminum can melt and damage the oven.
- Arrange the oven racks only when the oven is cool.
- When placing an oven rack in the topmost rack position (position 7), make sure the rack is situated stably on the embossed stop.

Multi-rack baking



Cakes pans position

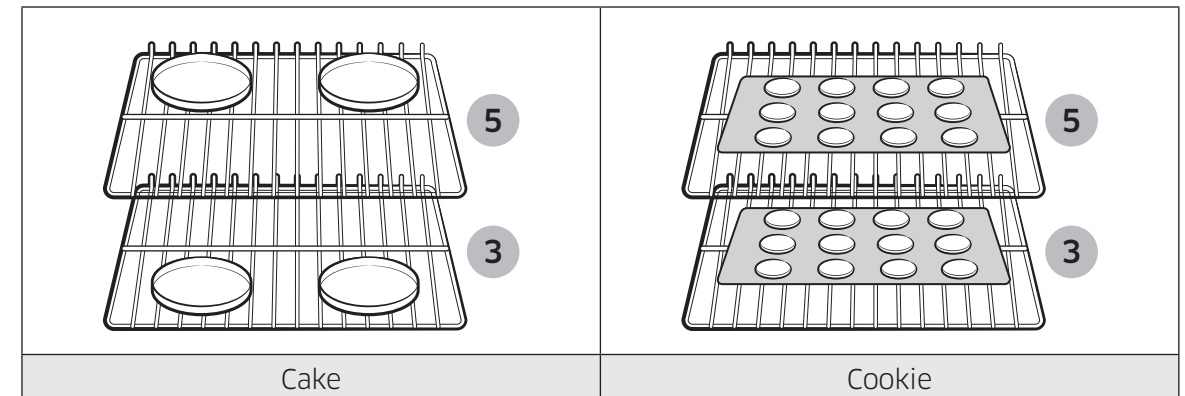


Cookie sheets position

- For dual-rack baking of cakes or cookies, place the racks at Levels 3 and 5.
- For 4 baking pans on two racks: Place two pans in the rear of the upper rack and the other two in the front of the lower rack.
- When baking multiple items on one rack, maintain a 1" to 1.5" (2.5 cm to 3.8 cm) space between items.
- When using the gliding rack, place it below the flat rack.

Using Multiple Oven Racks

Type of Baking	Rack positions
Cakes	3 and 5
Cookies	3 and 5



Using the oven

Before using the racks

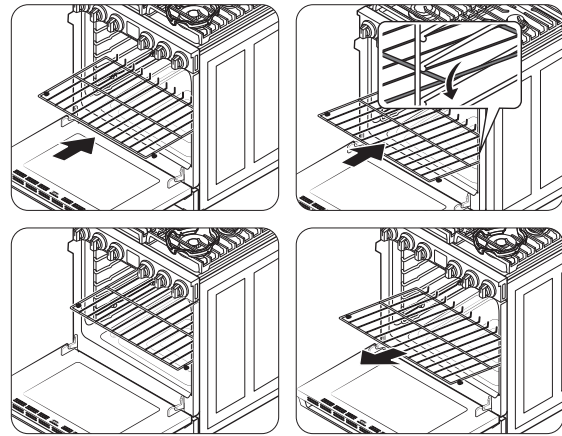
Each rack has stops that need to be placed correctly on the supports. These stops will keep the rack from coming completely out.

Removing the racks

1. Pull the rack straight out until it stops.
2. Lift the front of the rack, and then pull it out.

Replacing the racks

1. Place the end of the rack on the support.
2. Tilt the front end up and push the rack in.



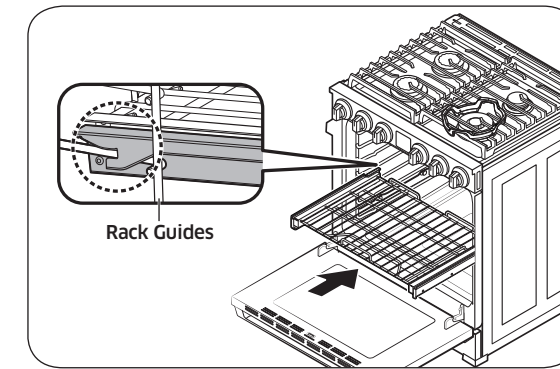
CAUTION

- Do not cover a rack with aluminum foil or place aluminum foil on the oven bottom. This will hamper heat circulation, resulting in poor baking, and may damage the oven bottom.
- Arrange the oven racks only when the oven is cool.

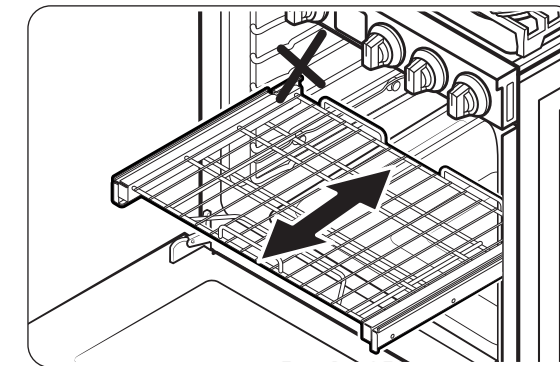
Using the gliding rack

The fully extendable gliding rack makes food preparation easier, especially when you are preparing heavier dishes. The gliding rack has 2 glide tracks that allow you to extend the rack well out of the oven without touching the sides of the oven walls.

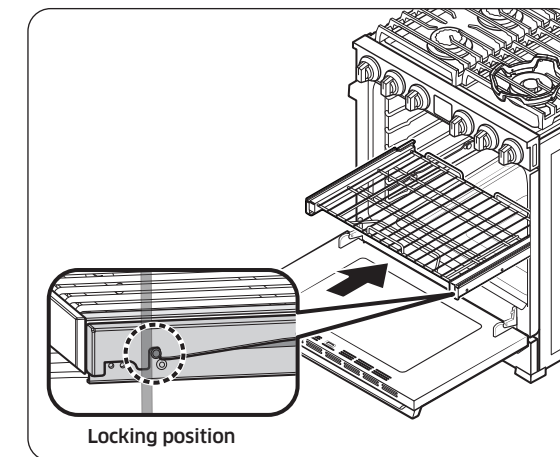
Installing the gliding rack



- With the gliding rack in the closed position and the oven off, carefully insert the gliding rack between the guides until the rack reaches the back. See picture on the bottom left for closed position.



- Always grasp the gliding rack by its handle at the center-front of the rack. Pulling by the rack frame can cause the rack to come loose, resulting in spills and possible personal injury.

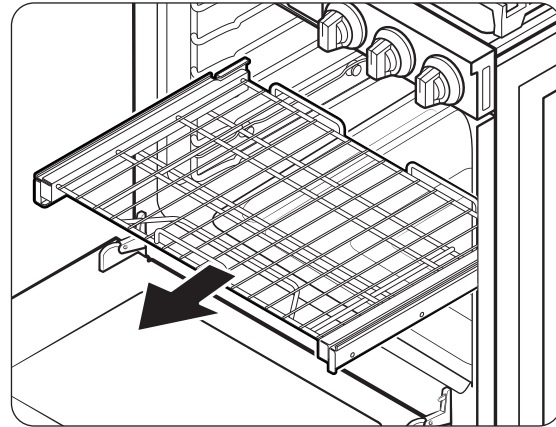


NOTE

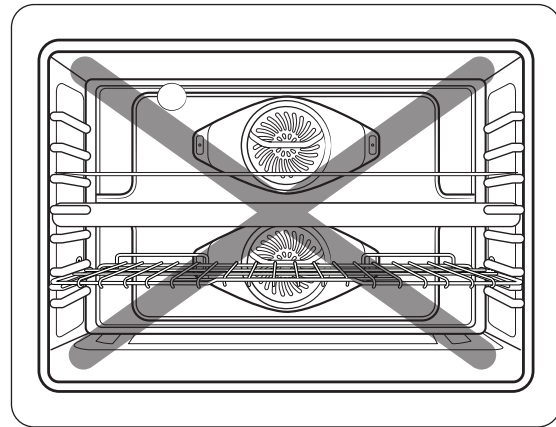
Be sure to lock the gliding rack onto the rack support. Otherwise, the rack may come loose and cause personal injury.

Using the oven

Removing the gliding rack



- With the gliding rack in the closed position and the oven off and cool, grasp the rack and frame and pull both forward to remove.



- ⚠ CAUTION**
- Do not attempt to place a gliding rack one level above a wire rack.
 - You will not be able to install it properly and the rack could fall.
 - Keep at least one open rack level between a glide rack and a flat rack.

📄 NOTE

You may place a gliding rack at any but the lowest level (Level 1).

Broiling guide

📄 NOTE

- This is for reference only.
- Preheating for 5 minutes before broiling is recommended.
- The size, weight, thickness, starting temperature, and your preference of how well done you like your food will affect broiling times.
- This guide is based on meats at refrigerator temperature.

Food	Doneness	Size	Thickness	Broil setting	Rack position	Cooking time	
						1st side	2nd side
Hamburgers	Medium	9 patties	1"	Hi	7	3:20-3:40	2:20-2:40
Beef Steak	Medium	-	1"	Hi	5	7:00-8:00	6:00-7:00
	Medium	-	3/4"	Hi	5	6:00-7:00	5:00-6:00
Chicken Pieces	Well done	2-2 1/2 lb.	3/4"-1"	Hi	4	15:00-16:00	13:00-14:00
Pork Chops	Well done	1 lb.	1/2"	Lo	5	15:00-16:00	13:00-14:00
Lamb Chops	Well done	1 lb.	3/4"-1"	Hi	5	5:00-6:00	4:00-5:00
Salmon steak	Well done	3 pcs.	3/4"-1"	Hi	5	4:00-7:00	3:00-6:00

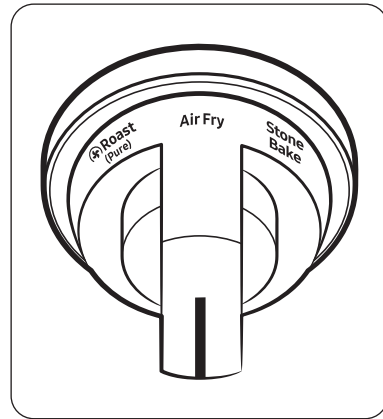
⚠ CAUTION

Make sure to close the door after turning over the food.

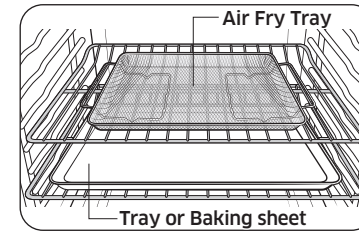
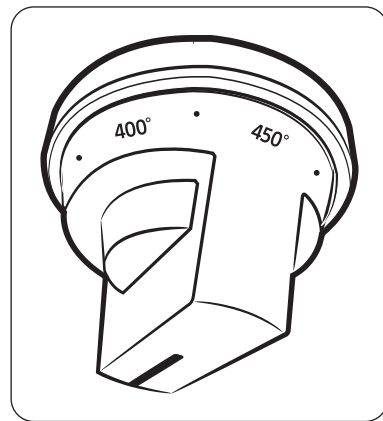
Using the oven

Air Fry mode

This feature uses hot air for crispier and healthier frozen or fresh foods without oil or less oil than normal convection modes. For best results, use this mode in single oven mode and place the Air Fry tray in position 3. The temperature can be set between 350 °F and 500 °F. Preheating is not necessary for this mode. Follow recipe or package directions for set temperature, time, or quantity.



1. Place the Air Fry tray on rack position 3, and place a baking sheet or tray on rack position 2 or 1.
2. Rotate the mode selector knob from **Off** to the **Air Fry** position, and then turn the temperature selector knob to set the baking temperature. You can set the temperature from 350 °F(175 °C) to 500 °F(260 °C)
3. When baking is complete, turn both knobs to the **Off** position.



Air Fry Tray recommended placement

NOTE

- Place a baking sheet or tray on the rack below the Air Fry tray for getting any drippings. This will help to reduce splatter and smoke for high fat foods, such as chicken wings.
- Air Fry is designed for baking on a single oven rack. Place food on rack position 3 for best results.

- Before using a baking ware, check the maximum allowable temperature of baking sheet.
- Place the baking sheet under a few sheets of paper like parchment paper to absorb the fat for reducing splatter and smoke during the Air Fry.
- For cooking fresh or homemade foods, spreading the oil over a larger area more evenly, will crisp up the food more effectively.
- Wet or thick coating will not crisp or cook effectively with the Air Fry.

CAUTION

- Foods in high-in fat will smoke when using the Air Fry model, such as chicken wings, bacon, sausage and turkey legs.
- Before you start Air Fry, turn on an exhaust hood at a high level fan setting.
- Open a window in your kitchen if it is possible to make sure the kitchen is well-ventilated.
- Once the oven has cooled, wipe down the interior of the oven before and after Air Fry cooking.
- Regularly, clean the grease filters of the exhaust hood to prevent smoking during cooking.
- Avoid opening the oven door, as it is difficult to maintain the oven temperature, prevent heat loss, and save energy.

Using the oven

Air Fry mode guide

NOTE

- Preheating is not necessary.
- Place the Air Fry Tray on the position 3.
- It is recommended to use avocado oil.
- Place a baking sheet or tray on the rack below the Air Fry Tray to catch any drippings. This will help to reduce splatter and smoke.

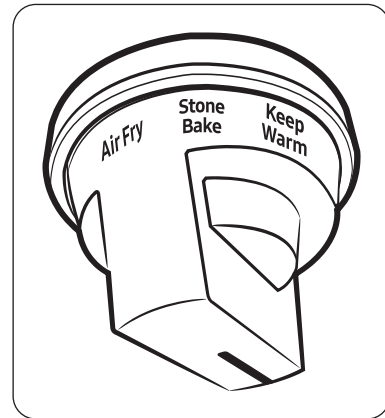
Item	Amount	Temperature	Time	Tips
Potatoes				
Frozen French Fries	30-35 oz	425 °F-450 °F	25-30 min	-
Frozen French Fries, Seasoned	25-30 oz	425 °F-450 °F	20-25 min	-
Frozen Tater Tots	40-45 oz	450 °F	20-25 min	-
Frozen Hash Brown	25-30 oz	450 °F	20-25 min	-
Frozen Potato Wedges	30-35 oz	425 °F-450 °F	20-25 min	-
Homemade French Fries	25-30 oz	425 °F	25-30 min	Peel potatoes and cut into sticks with a thickness of 1/8 inch. Soak in cold water for 30 min. Brush with 3tbsp of oil. Add salt and pepper to taste.
Homemade Potato Wedges	25-30 oz	450 °F	25-30 min	Cut them into wedges. Brush with 3 tbsp of oil. Add salt and pepper to taste.
Frozen				
Frozen Chicken Nuggets	24-28 oz	400 °F-425 °F	15-25 min	-
Frozen Chicken Wings	30-35 oz	425 °F	20-30 min	-
Frozen Onion Rings	20-25 oz	425 °F	15-20 min	-
Frozen Fish Fingers	20-25 oz	425 °F	18-22 min	-
Frozen Chicken Strips	25-30 oz	425 °F-450 °F	20-30 min	-

Item	Amount	Temperature	Time	Tips
Frozen Churros	20-25 oz	425 °F	18-22 min	-
Poultry				
Fresh Drumsticks	35-45 oz	425 °F-450 °F	30-35 min	Brush with 3 tbsp of oil. Add salt and pepper to taste. Air frying foods that are high in fat can create smoke.
Fresh Chicken Wings	30-35 oz	425 °F-450 °F	25-30 min	
Chicken Breasts, Breaded	30-35 oz	400 °F-425 °F	25-30 min	Dip chicken breasts into the flour mixture. Whisk the egg and milk. Dip flour coated breasts into the egg mixture. Place them into breaded crumbs and toss until items are coated with crumbs. Add salt and pepper to taste. Brush with 3 tbsp of oil.
Vegetables				
Asparagus, Breaded	15-20 oz	425 °F	20-25 min	Dip sliced vegetables into the flour mixture. Whisk the egg and milk. Dip flour coated vegetables into the egg mixture. Place them into breaded crumbs and toss until items are coated with crumbs. Add salt and pepper to taste. Brush with 3 tbsp of oil.
Egg Plants, Breaded	20-25 oz	425 °F	20-25 min	
Mushroom, Breaded	18-22 oz	425 °F	20-25 min	
Onions, Breaded	18-22 oz	425 °F	20-25 min	
Cauliflowers, Breaded	30-35 oz	400 °F-425 °F	20-25 min	
Vegetable Mix, Breaded	30-35 oz	400 °F-425 °F	20-25 min	

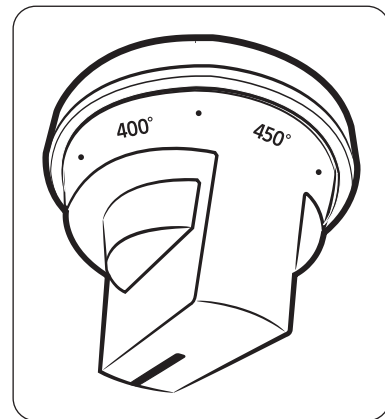
Using the oven

Stone bake mode

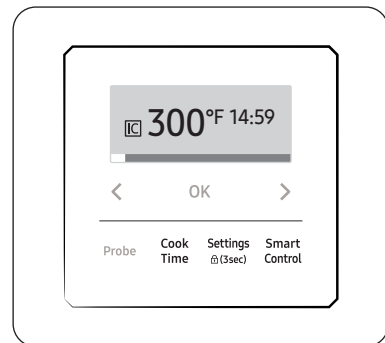
This feature bake on a baking or pizza stone for pizza and bread. So stone accessory required. Always preheat with a stone for the best results. Preheating will take about 20 - 30 mins. When the beep sounds, put pizza or bread on the rack position 2 or 3.



1. Rotate the mode selector knob from **Off** to the **Stone bake** mode position, and then turn the temperature selector knob from **Off** to set the temperature. You can set the temperature from 350 °F (175 °C) to 500 °F (260 °C)



2. Let the oven preheat. The temperature display will start to change once the oven temperature reaches 150 °F.

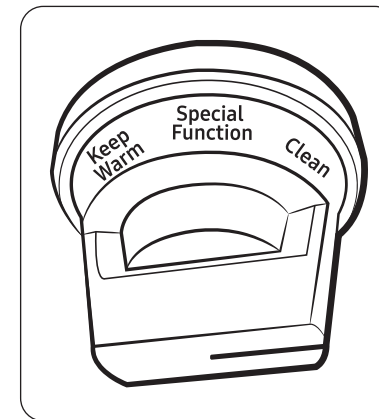


3. When preheating is complete, only gas model needs 15 minutes more to heat stone. (*If stone is already heated, skip this process)
4. Place the food on the desired rack. Close the oven door.
5. When cooking is complete, turn both knobs to the **Off** position.

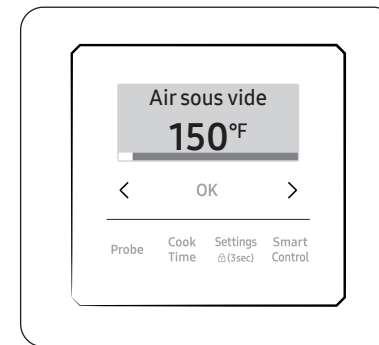
NOTE

IC : Stone heating timer

Using the special function feature



1. Set the temperature knob to the **Off** position.
2. Turn the mode selector knob from **Off** to the **SPECIAL FUNCTION** position.



3. Find cooking menu you want through < or > keys and tap **OK**.

Special function provides 3 different specialized cooking options.

Mode	Temperature range
Proof	95 °F (35 °C)
Air Sous Vide	100 °F (40 °C) - 205 °F (95 °C)
Dehydrate	150 °F (65 °C)

** A factory set temperature is applied for the best performance. You cannot adjust this temperature.

NOTE

You can Adjust 1°F unit by tapping < or > key of the Air sous vide mode. (Long press < or > key to decrease or increase rapidly at constant speed).

Using the oven

Mode	Instruction
Proof	<ul style="list-style-type: none"> • Proof provides an optimal temperature for the bread proofing process (95 °F). • For the best results, always start the Proof option with a cool oven. • Proof mode functions properly only if oven temperature is below 125 °F. • The proofing temperature is not hot enough to keep food warm. • Place the dough in a heat-safe container on rack position 2 or 3 and cover it with a cloth or with plastic wrap. You may need to anchor the plastic wrap underneath the container so that the oven fan does not blow the plastic wrap off the dough. • To avoid lowering the temperature and extending proofing time, do not open the oven door.
Air Sous Vide	<ul style="list-style-type: none"> • Air Sous Vide mode uses low-temperature hot air to implement Sous Vide mode without steam or the water tank. • In this mode, the oven keeps constant low temperatures inside the cooking chamber, cooking food that can keep its original fragrance and nutrients while offering enriched flavor and soft texture. • You can Adjust 1 °F unit by tapping < or > key of the Air sous vide mode. (Long press < or > key to decrease or increase rapidly at constant speed).
Dehydrate	<ul style="list-style-type: none"> • Dehydrate dries food or removes moisture from food via heat circulation. • After drying the food, keep it in a cool and dry place. • For fruit, adding lemon or pineapple juice or sprinkling sugar on the fruit helps the fruit retain sweetness.

NOTE

Preheating is not necessary on special function feature.

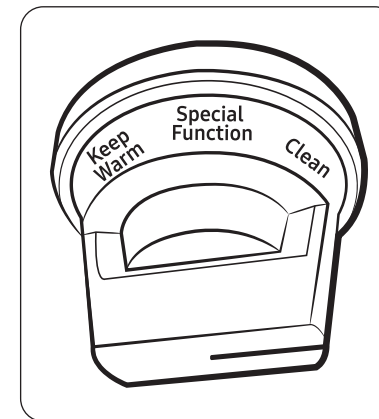
Rack position chart for special cooking options

Mode	Rack position
Proof	2 or 3
Air Sous Vide	3 or 4
Dehydrate	2 or 3

For some common features, refer to **Using the oven** page.

Air sous vide mode

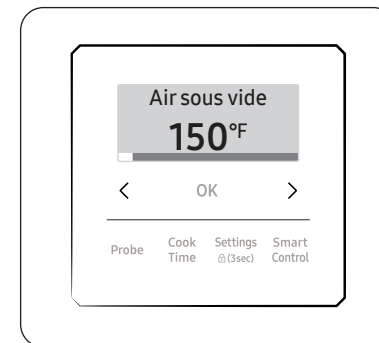
Air sous vide mode uses low-temperature hot air to implement Sous Vide method without steam or the water tank. In this mode, the oven keeps constant low temperatures, cooking food that can keep its original fragrance and nutrients while offering enriched flavor and soft texture.



1. Place the vacuum sealed bags of food on the rack in position 3 or 4 and then close the door.
2. Set the temperature knob to the **Off** position.
3. Turn the mode selector knob from **Off** to the **SPECIAL FUNCTION** position.
4. Find Air sous vide menu through < or > keys and tap **OK**.
5. Adjust 1 °F unit by tapping < or > key and tap **OK**. (Long press < or > key to decrease or increase rapidly at constant speed.)

NOTE

For cook time setting, see the **Timed cooking** section on page 34.



Using the oven



NOTE

- It is not necessary to preheat the oven when using Air Sous-Vide mode.
- Place the vacuum sealed bags of food on the rack 3 or 4 of the oven.
- Use it to cook meat, fish, seafood, poultry or vegetables.
- Use fresh and quality ingredients only. Trim them in clean conditions and store in the refrigeration.
- Use heat-resistant vacuum bags for moving and storing ingredients.
- Never reuse the heat-resistant vacuum bags.
- The cooking time depends on the thickness of food. Addition of salt or sugar may shorten the cooking time.
- Use Air Sous-Vide recommendation guide to find the recommended cooking time and temperature for the food.
- Only use temperatures below 140 °F(60 °C) to cook foods that can safely be consumed eaten raw.

Tips

- To keep the original taste, we recommend you use less herbs and spices than in ordinary recipes.
- Meat and fish offer better flavors when seared and served.
- Sous vide dishes are best served immediately after cooking.
- If not served immediately after cooked, put the food in ice water and cool down completely. Then, store them under 40 °F(5 °C) to keep the fragrance and texture of food.
- Chicken, especially, is recommended to eat immediately after cooked.

Air Sous-Vide recommendation guide

Food	Doneness	Temperature(°F)	Time (hrs.)
Beef			
Steak, 1.5" thick	Rare	130 °F	2.5-4
	Medium	140 °F	2.5-4
	Well done	155 °F	2.5-4
Roast	Medium	150 °F	6-12
	Well done	155 °F	6-12
Pork			
Chop, boneless	Tender	150 °F	3-5
	Firm	160 °F	3-5
Roast	Medium	150 °F	4-6
	Well done	160 °F	4-6
Pulled pork	Well done	160 °F	15-48
Poultry			
Chicken, breast	Tender	145 °F	2.5-4
	Firm	160 °F	3-4
Duck, breast	Tender	145 °F	3-4
Fish			
Salmon steak	Tender	130 °F	2-3
	Well done	145 °F	1.5-3
Cod fillet	Tender	130 °F	1.5-3

Using the oven

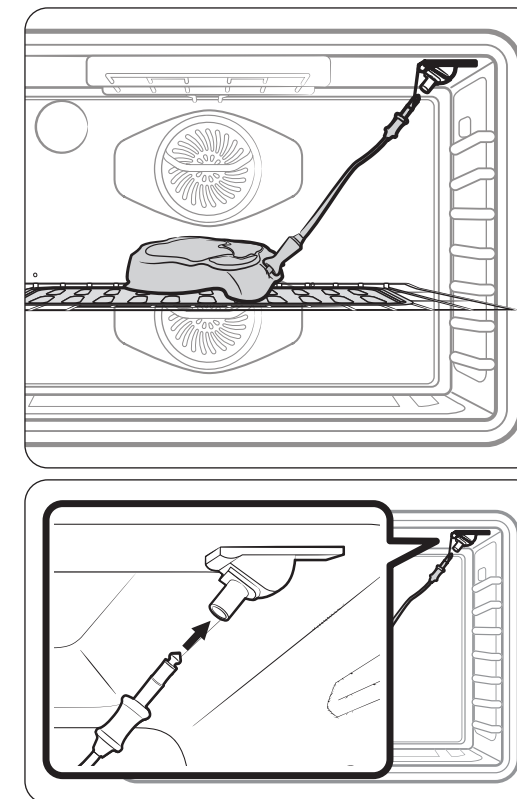
Food	Doneness	Temperature(°F)	Time (hrs.)
Vegetables			
Asparagus	-	180 °F	0.5-2
Potato, sliced	-	200 °F	2-4
Sweet potato, sliced	-	200 °F	2-4
Carrot, sliced	-	190 °F	2-4
Squash, cubes	-	180 °F	2-4
Fruit			
Apple, sliced	-	180 °F	1-2
Pineapple, sliced	-	180 °F	1-2
Pear, sliced	-	180 °F	1-2

Temperature probe

For many meats, especially roasts and poultry, measuring the internal temperature is the best way to determine if the food is properly cooked. The temperature probe lets you cook meat to the exact internal temperature you want. This function can be used with Bake, Convection Bake (Pure), Convection Roast (Pure). After the internal temperature of the food reaches 100 °F, the increasing internal temperature will be shown on the display.

How to use the temperature probe

1. Push the probe into the meat, so that the tip is in the center of the meat.



- Insert the probe completely into the meat as shown in the illustrations. It should not touch bone, fat, or gristle. If you do not fully insert the probe into the meat, the temperature probe function will not work correctly because the probe will sense the oven temperature, not the temperature of the meat.
- For bone-in meats, insert the probe into the center of the lowest and thickest portion of the piece.
- For whole poultry (turkey, large chickens, etc.), insert the probe into the thickest part of the inner thigh, parallel to the leg.
- If you activate the Keep Warm function to keep the meat warm after you have cooked it using the temperature probe function, the meat may be overcooked.

Using the oven

2. Plug the temperature probe fully into the socket on the upper-side wall of the oven.
3. Select the cooking operation (Bake, Convection Bake (Pure), Convection Roast (Pure) you want. Select the cooking mode you want. Set the cooking temperature. (See page 38.)
4. Tap **Temp Probe** to set the desired internal temperature.

Available temperatures	100 °F to 200 °F
------------------------	------------------

5. Tap **START**. When the desired internal temperature is reached, the function automatically stops and an alarm sounds.

CAUTION

Do not let the probe tip protrude from the meat. Ensure the tip is in or near the thickest part of the meat.

- To avoid breaking the probe's tip, defrost your food completely.
- To avoid damaging the probe, do not leave it in the oven for any reason other than its intended use. Tongs can damage the probe.
- Use the temperature probe for Temp Probe function cooking only.

NOTE

- If you remove the temperature probe while the Temp Probe function is operating or insert the temperature probe while baking or cooking normally, cooking will stop after 1 minute.
- If you use the probe to cook frozen food, there are times when it cannot be detected. (The probe icon will not appear in the display.)

Temperature table

Type of food		Internal temperature (°F)
Beef / Lamb	Rare	140-150
	Medium	160-170
	Well done	175-185
Pork		175-185
Poultry		185-195

NOTE

If you cover the meat with aluminum foil and allow it to stand for 10 minutes after cooking, the Internal temperature will rise 5-10 degrees.

Removing the temperature probe

Unplug the temperature probe, then remove it from the meat. Store the meat probe in a separate place, do not leave it attached to the socket.

CAUTION

After cooking, the temperature probe is hot enough to cause burns. Let it cool sufficiently before attempting to remove it.

Using the oven

Clean feature

Self Clean

This self-cleaning oven uses high temperatures (well above cooking temperatures) to burn off leftover grease and residue completely or to reduce them to a finely powdered ash that you can wipe away with a damp cloth.

⚠ CAUTION

- Do not leave small children unattended near the oven during the self-cleaning cycle. The outside surfaces of the oven can get extremely hot.
- Some birds are extremely sensitive to fumes from a self-cleaning oven. Relocate birds to a well-ventilated room away from the oven.
- Do not line the oven, oven racks, or oven bottom with aluminum foil. Doing so will result in poor heat distribution, produce poor baking results, and cause permanent damage to the oven interior. The aluminum foil will melt onto and adhere to the interior oven surfaces.
- Do not force the oven door open during the self-cleaning cycle. This will damage the automatic door-locking system. The door automatically locks when the self-cleaning cycle is started and stays locked until the cycle is completed or cancelled and the oven temperature is below 400 °F.
- Use caution when opening the oven door after the self-cleaning cycle. The Electric oven will still be VERY HOT and hot air and steam might escape when the door is open.
- Wipe off any excess spillage before using the self-cleaning operation.
- Do not use oven cleaners. Commercial oven cleaners or oven liners should NEVER be used in or around any part of the oven. Residue from oven cleaners will damage the inside of the oven during a self-cleaning operation.
- Both knobs must be in the **Off** position initially before you set the mode selector knob to the **Clean** position.

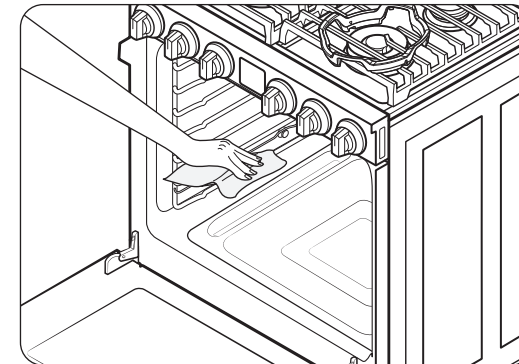


Fig. 1

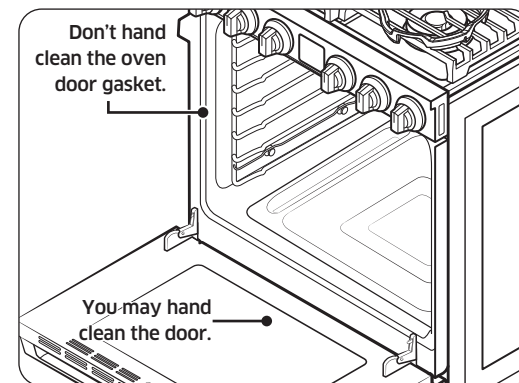


Fig. 2

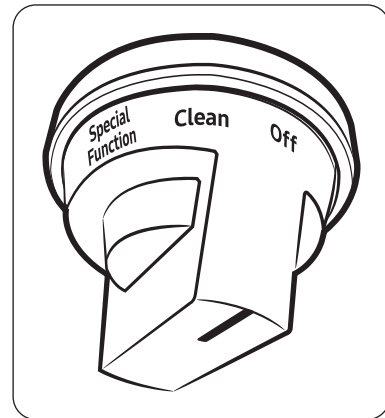
NOTE

- For details about removing the racks, see pages 42 and 44.
- For details about removing the rack supports, see page 42.

- Keep the kitchen well ventilated during a self-cleaning cycle.
- Remove the racks, rack supports, and all foreign/loose items from the oven.
- Wipe up debris from the oven bottom. (Fig. 1)
- Clean the oven door and front frame around the gasket with hot water and soap-filled steel-wool pads or non-abrasive cleansers. Rinse with clean water and wipe dry.
- The oven-door gasket is fragile and cannot withstand hand-cleaning. Do not clean the gasket. If the gasket becomes worn or frayed, have it replaced.
- Make sure the oven light cover is in place and the oven light is off.

Using the oven

How to run a self cleaning cycle



1. Make sure the oven door is unlocked and closed completely.
2. Turn the mode and temperature selector knobs to the **Off** position.
3. Turn the mode selector knob from **Off** to the **Clean** position.



4. Press **<**, **>** to select Self Clean mode. Press **OK** to start Self clean.
5. Set the self cleaning time. 3 hr is the default. Press **<**, **>** to select another time set. Press **OK** to start Self Cleaning.
6. The oven door is locked and the oven begins to heat up. When the cycle is complete, an alert beep sounds. The door will remain locked until the oven temperature falls below 400 °F(205 °C).
7. When the Self-Cleaning cycle is complete, turn the mode selector knob to the **Off** position.

NOTE

- You will not be able to start a self-cleaning cycle if the control lockout feature is activated or if the oven's temperature is too hot.
- The oven doors lock automatically. The display will show the remaining cleaning time. You cannot open the oven doors until the temperature drops to a safe/cool temperature.
- You should not operate cooktop burners during self-cleaning mode.

To cancel the self-cleaning cycle

You may find it necessary to stop or interrupt a self-cleaning cycle due to smoke in the oven. To turn off the self-cleaning cycle, turn the mode selector knobs to the **Off** position. The cycle turns off, but the door remains locked until the oven temperature falls below 400 °F (205 °C).

After self-cleaning

- The door stays locked until the internal oven temperature falls below 400 °F.
- When the oven has cooled down, wipe the oven surfaces with a cloth to remove ash residue.
- Stubborn stains can be removed using a steel-wool pad. Lime deposits can be removed using a vinegar-soaking cloth.
- If you are not satisfied with the cleaning results, repeat the self-cleaning cycle.
- The oven will not let you repeat a self cleaning cycle immediately. You must wait 2 hours before running self-cleaning again.
- Fine lines generated inside the cavity may occur during repeated cooling and heating of the product after long-term use. This phenomenon is normal, does not affect product performance, and is harmless to the human body.

CAUTION

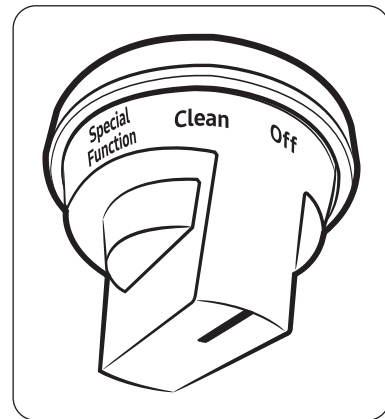
Do not attempt to open the oven door immediately after the self-cleaning cycle is complete. The oven is still very hot when the door unlocks. Escaping hot air or steam could burn you.

Using the oven

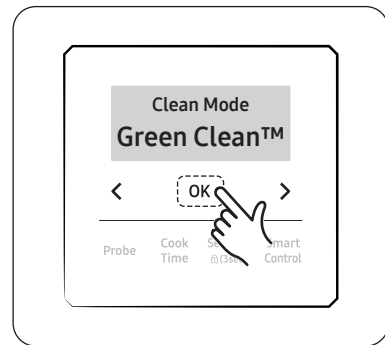
Green cleaning

For light cleaning, the Green-cleaning function saves time and energy. For heavier duty cleaning, use the self-cleaning function.

How to run a green cleaning cycle



1. Make sure the oven door is unlocked and closed completely.
2. Pour approximately 10 oz. (300 ml) of water onto the bottom of the empty oven and then close the oven door. Use normal water only, not distilled water.
3. Turn the mode and temperature selector knobs to the **Off** position.
4. Turn the mode selector knob from **Off** to the **Clean** position.



5. press **<**, **>** to select Green cleaning mode. Press **OK** to start **Green Cleaning**.
6. When the operation is complete, the display will blink and a beep will sound. And then turn the mode knob to the **Off** position.
7. Clean the oven's interior. There will be a significant amount of water remaining on the bottom of the oven after a green-cleaning cycle. Remove the residual water with a sponge or soft dry cloth.

You can cancel Green Cleaning at any time by setting the mode selector knob to the **Off** position.

NOTE

- When green-cleaning, use exactly 10 oz. of water since this produces the best results.
- If you press **Green Clean** when the oven temperature is above 125 °F, Hot will appear in the display. Because this function produces the best results when started while the oven is cool, we recommend that you wait until the oven has cooled down and Hot disappears from the display.

After a green-cleaning cycle

- Take care when opening the door after a green-cleaning procedure has ended. The water on the bottom is hot.
- Open the oven door and remove the remaining water with a sponge. Do not leave the residual water in the oven for any length of time. Wipe the oven clean and dry with a soft cloth. Do not forget to wipe under the oven door seal.
- Use a detergent-soaked sponge, a soft brush, or a nylon scrubber to wipe the oven interior. Remove stubborn residue with a nylon scourer. You can remove lime deposits with a cloth soaked in vinegar.
- If the oven remains dirty, you can repeat the procedure once the oven has cooled.
- For heavy residue, such as grease left over from roasting, we recommend that you rub detergent into the residue before activating the green-cleaning function.
- After cleaning, leave the oven door ajar at a 15° angle to allow the interior enamel surface to dry thoroughly.

Using the oven

Using the Sabbath feature

(For use on the Jewish Sabbath & Holidays)



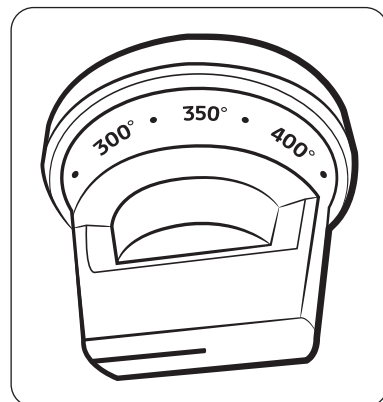
For further assistance, guidelines for proper usage, and a complete list of models with the Sabbath feature, visit : <http://www.star-k.org>.

You can use the Sabbath feature with baking only. The oven temperature may be set higher or lower after you set the Sabbath feature. (The oven temperature adjustment feature should be used only during Jewish holidays.) The display, however, will not change and tones will not sound when a change occurs. Once the oven is properly set for baking with the Sabbath feature active, the oven will remain on continuously until the Sabbath feature is cancelled. This will override the factory preset 12-hour energy-saving feature. If the oven light is needed during the Sabbath, press **oven light** button before activating the Sabbath feature. Once the oven light is turned on and the Sabbath feature is active, the oven interior light will remain on until the Sabbath feature is turned off. If the oven light needs to be off, be sure to turn the oven light off before activating the Sabbath feature.

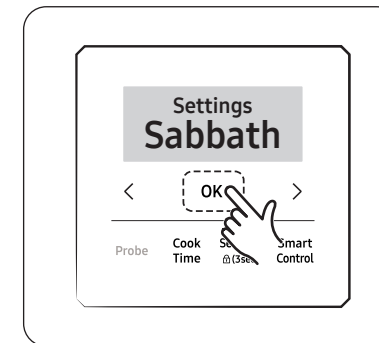
How to use the Sabbath feature



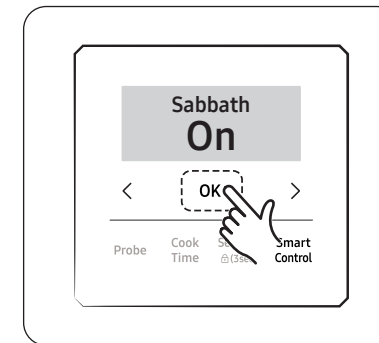
1. Turn the mode selector knob from **Off** to **Bake**.



2. Rotate the temperature selector knob from the **Off** position to set the temperature. You can set the oven to any temperature from Lo to 550 °F.



3. Press the **Settings** button, and then press **<**, **>** to select **Sabbath** mode.



4. Tap **OK** and then press **<**, **>** to select **On / Off**.
5. Tap **OK** to sabbath mode on.

⚠ CAUTION

- Do not attempt to activate any other program feature except Bake while the Sabbath feature is active.
- Do not open the oven door or change the oven temperature for about 30 minutes after you have started Sabbath mode to allow the oven to reach the set temperature. Note that for best performance, the oven fan operates only when the oven temperature is rising.

📖 NOTE

- After you change the temperature while the unit is in Sabbath mode, there is a 15 second delay before the unit recognizes the change.
- You can set the Cook Time function before activating the Sabbath feature.
- Should the power fail, the oven shuts itself off. When power is restored, the oven does not turn itself on. **Sabbath** appears on the control panel, but the oven is not on. Food may be safely removed from the oven during Sabbath mode, but the oven is inoperable until after the Sabbath holidays, at which time you can tap-hold **OK** for 3 seconds to turn off Sabbath mode.

Using the oven

Using the Smart Control feature

To use the oven's Smart Control feature, you must download the SmartThings app to a mobile device. Functions that can be operated using the SmartThings app may not work smoothly if communication conditions are poor or the oven is installed in a place with a weak Wi-Fi signal.

A Wi-Fi Booster may be necessary. Wi-Fi Booster is not supplied by Dacor.

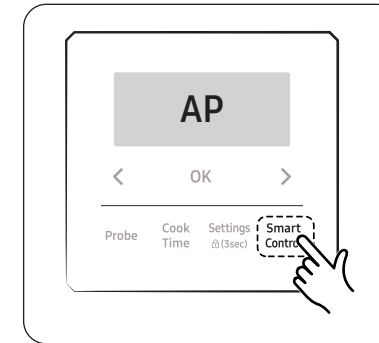
Refer to the following table for the main functions that can be operated from the app.

When Smart Control on the oven is off.	Monitoring (Oven, Probe), Oven off
When Smart Control on the oven is on.	Monitoring (Oven, Probe), Oven off, Error check

How to connect the oven

1. Download and open the SmartThings app on your smart device.
2. Follow the app's on-screen instructions to connect your oven.
3. Press the **Smart Control** button for 3 seconds to connect your range. (The 'AP' will disappear on the display).
4. Once the process is complete, the oven displays 'Connection Complete'. The range is connected successfully.
5. If the oven displays 'Can't Connect Try Again', follow the instruction in the app to reconnect.

To start the oven remotely



1. Press the **Smart Control** button for 3 seconds.

When Smart Control is on you can:

- Remotely change oven settings (mode, time, temperature) using your mobile device.
- Remotely turn on/off the oven.

NOTE

Important: Self Clean mode cannot be started remotely.

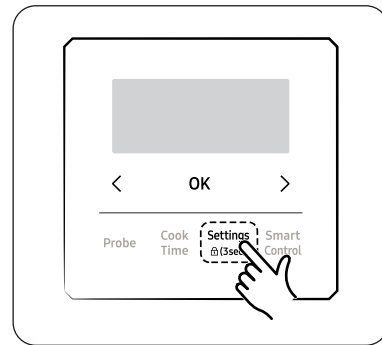
- Opening the oven door will deactivate Smart Control and prevent you from turning the oven on or controlling the oven remotely.
- If Smart Control is deactivated, you can still monitor the oven's status and turn the oven off.
- When oven cooking is finished or cancelled, Smart Control will be deactivated.
- The range continues operating even if the Wi-Fi connection is lost.
- The **SmartThings Application** will not work properly if the Wi-Fi Connection is unstable.
- See the SmartThings app manual for detailed information.
- For further instructions, refer to the SmartThings app web manual at www.dacor.com

Using the oven

Child Lock

This feature renders the touchpad inoperable and locks the oven door. You can only activate Child Lock when the oven is in standby mode.

How to activate the Child Lock feature

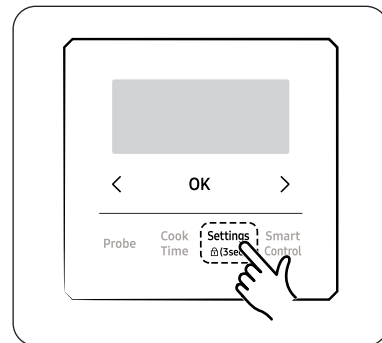


1. Cancel or turn off all functions.
2. Touch **Settings** for 3 seconds.
3. The oven will display 'Child Lock On' and the lock icon along with the current time.

NOTE

- Child Lock is available only when the oven temperature is under 400 °F.
- All other functions must be canceled before you activate Child Lock.

How to unlock the controls



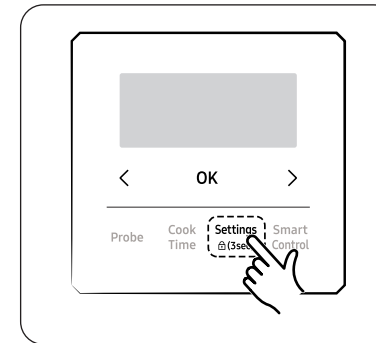
1. Touch **Settings** for 3 seconds. 'Child Lock off' and the lock icon will disappear from the display.

NOTE

It may take up to 10 seconds for the door to unlock.

Settings

In Settings, you can change the default settings to your preference or diagnose problems with the network connection.



1. Press the **Settings** button.

Wi-Fi

To enable a Wi-Fi connection

1. Press the **Settings** button.
2. Press **<**, **>** to select **Wi-Fi**.
3. Tap **OK** and then press **<**, **>** to select **On** or **Off** then Tap **OK**.

NOTE

For details about the Wi-Fi connection and using the SmartThings app, see the SmartThings user manual.

Using the oven

Screen Timeout

You can adjust the screen timeout.

1. Press the **Settings** button.
2. Press <, > to select **Screen Timeout**.
3. Tap **OK** and then press, <, > to change time. (Default is 20 min.)
4. Tap **OK**.

Temp

Temp unit

You can program the oven control to display the temperature in Fahrenheit (default) or Celsius.

1. Press the **Settings** button.
2. Press <, > to select **Temp. Unit**.
3. Tap **OK** and then press, <, > to select the temperature unit.
4. Tap **OK**.

Temp adjust

The temperature in the oven has been calibrated at the factory. When first using the oven, be sure to follow recipe times and temperatures.

If you think the oven is too hot or too cool, you can correct the temperature in the oven. Before correcting, test a recipe by using a temperature setting that is higher or lower than the recommended temperature.

The baking results should help you to determine the proper adjustment. The oven temperature can be adjusted ± 35 °F (± 19 °C).

1. Press the **Settings** button.
2. Press <, > to select **Temp. Adjust**.
3. Tap **OK** and then press, <, > to select the adjustment you want to make.
4. Tap **OK**.

NOTE

This adjustment will not affect the broiling or the self-cleaning temperatures. The adjustment will be retained in memory after a power failure.

Sound

Using Sound setting, you can set the oven controls to operate silently.

1. Press the **Settings** button.
2. Press <, > to select **Sound**.
3. Tap **OK** and then press, <, > to select **Sound On / Alerts Only On / Sound Off**.
4. Tap **OK**.

12 hour energy saving

If you leave the oven on, this feature will automatically turn off the oven after 12 hours during baking functions or after 3 hours during a broil function.

1. Press the **Settings** button.
2. Press <, > to select **12hr Energy Saving**.
3. Tap **OK** and then press, <, > to select **On** or **Off**.
4. Tap **OK**.

Demo Mode

This option is for use by retail establishments for display purposes only. (When Demo Mode is on, the heating elements are disabled and do not operate.)

1. Press the **Settings** button.
2. Press <, > to select **Demo Mode**.
3. Tap **OK** and then press, <, > to select **On** or **Off**.
4. Tap **OK**.


Using the oven

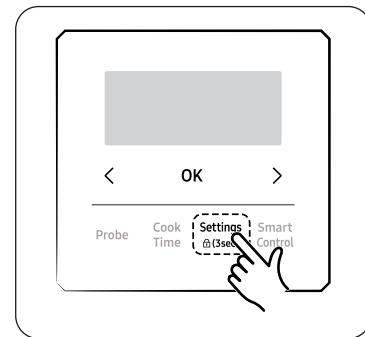
Using the hood control feature

NOTE

This product features a Bluetooth device that you can use to connect the range to Dacor hood control models. Through the Bluetooth connection, you can use the hood control function on the SmartThings app.

To connect to a hood control model and a hood:

1. Download and run the SmartThings app on your smartphone. Then, complete the Smart Control procedure to connect to the range. See page 68.
2. Follow the hood control model's Bluetooth instructions and activate the Bluetooth connection.
3. Press the **Bluetooth** icon  on the hood's control panel. The Bluetooth icon LED blinks.



4. Press the **Settings** button on the range display screen. Press **<**, **>** to select **Hood Connection**. Tap **OK** to connect to the hood.
5. When Bluetooth pairing is finished, the Bluetooth icon LED stops blinking and glows steadily. Press the **Settings** button to exit.
6. Follow the instructions in the user manual of the hood control model and the App guide to use the hood control.

Bluetooth on/off

Press the **Bluetooth** icon  on the hood's control panel.

NOTE

- The Bluetooth icon LED on the hood is on when Bluetooth is enabled. The Bluetooth icon LED on the hood is off when Bluetooth is not enabled.
- If the Smart Control connection is not successful, you cannot use the SmartThings app to monitor and control the hood.
- Without a Smart Control connection to the range, you can use a Bluetooth connection to pair the range with the hood and sync them. To do this, follow the Bluetooth connection steps on page 74.
- Bluetooth will not work properly if the Bluetooth connection is unstable.
- See the SmartThings app manual for detailed information.

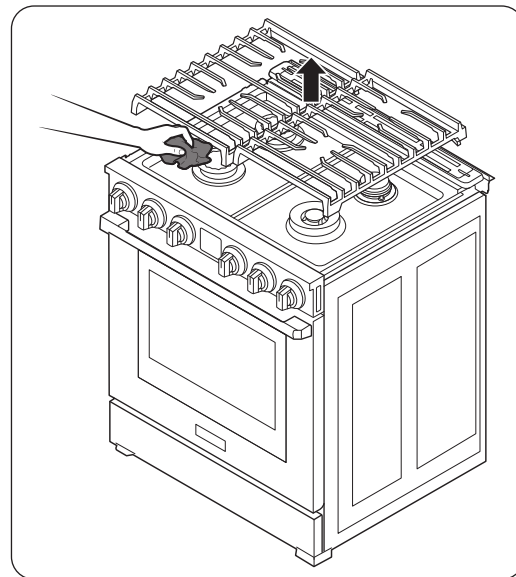
Care and maintenance - Cooktop

⚠ WARNING

Be sure electrical power is off and all surfaces are cool before cleaning any part of the cooktop. Wearing gloves is mandatory while cleaning. Some burners and cooktop parts have sharp edges. Be careful while cleaning.

Cleaning the cooktop surface

You should clean up spills as soon as possible.



1. Turn off all burners.
2. When the grates have cooled sufficiently, remove them.
3. Clean the cooktop surface with a soft cloth. If spills run into gaps in the burner components, remove the burner gaps and head, and wipe up the spills.
4. When finished cleaning, reassemble the burners, and reposition the grates.

⚠ CAUTION

Do not wash burner grates in dishwasher.

Stainless steel surfaces

1. Remove any spills, spots, and grease stains using a soft, wet cloth.
2. Apply an approved stainless steel cleaner to a cloth or paper towel.
3. Clean one small area at a time, rubbing with the grain of the stainless steel if applicable.
4. Dry the surface with a soft, dry cloth.
5. Repeat Steps 2 - 4 as needed.

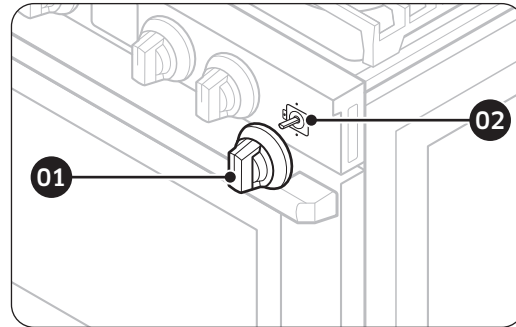
⚠ CAUTION

- Do not use items (e.g., steel-wool pad, sharp scraper, abrasive cleanser, caustic lye/sodium hydroxide), which can affect the appearance of the steel and damage components.
- Do not remove the spill tray to clean it. The gas lines leading to the burner manifolds can be damaged, possibly causing a fire or malfunction.
- Do not pour water into the cooktop. The water could drip into the gas and electrical systems, creating an electric shock hazard or high levels of carbon monoxide (CO) from corroded gas valves/ports.
- Do not spray any type of cleaner into the manifold holes. The ignition system inside them must remain dry.

Care and maintenance - Cooktop

Control knobs

Turn off all burner knobs.



- 01 Grasp each knob and pull to remove.
- 02 Valve stem. Do not remove.

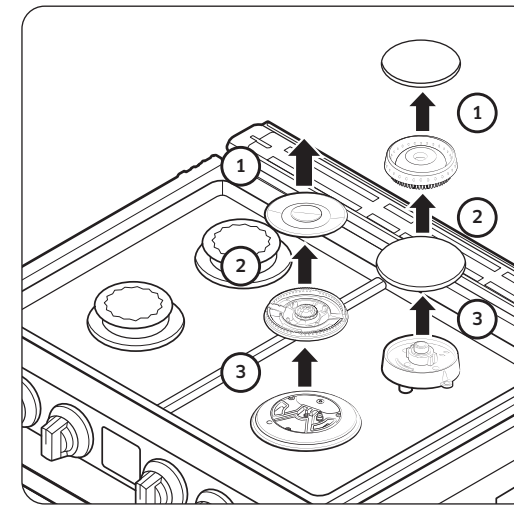
1. Pull the knobs off their valve stems.
2. Clean the knobs in warm, soapy water, then rinse and dry them thoroughly.
3. Clean the stainless-steel surfaces using stainless-steel cleaner.
4. Re-attach the knobs in the **Off** position to the control valve stems.

⚠ CAUTION

- Do not clean the control knobs in a dish washer.
- Do not spray cleaners directly onto the control panel. Moisture entering the electric circuits may cause electric shock or product damage.

Burner grates and components

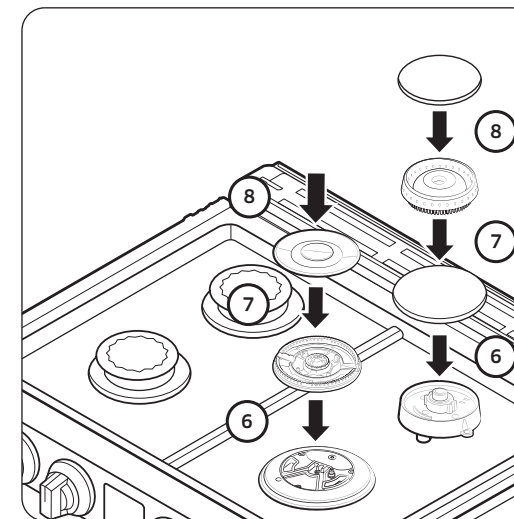
Turn off all surface burners and make sure they have all cooled down.



1. Remove the burner grates.
2. Remove the burner caps from the burner heads.
3. Remove the burner heads from the valve manifolds to reveal the starter electrodes.
4. Clean the grates and burner components in warm, soapy water. (Do not use steel-wool pads or abrasive cleaners.)
5. Rinse and dry grates and burner components thoroughly. Ensure the burner ports are free of water.
6. Reassemble the burner heads, making sure to insert a starter electrode through the hole in each head.

📖 NOTE

- See page 82 for details on how to reassemble the burner components.
7. Reassemble the remaining burner components, making sure the caps lie flat on top of the heads.
 8. Re-install the burner grates in their respective positions.
 9. Turn on each burner to verify that it works properly, then turn off the burner.



⚠ CAUTION

- The starter electrodes are not removable. Do not attempt to remove them by force.
- Make sure all burner components (heads and caps) are reinstalled properly. When installed properly, they are stable and rest flat.
- To avoid chipping, do not bang grates and caps against each other or hard surfaces such as cast iron cookware.
- The burner ring can be blocked by food or dust. Clean the ring if it appears blocked. If you clean the spreader with water, assemble it only after it is completely dry. If the ring is wet, it might prevent the burners from igniting.

Care and maintenance - Cooktop

Burner caps and heads

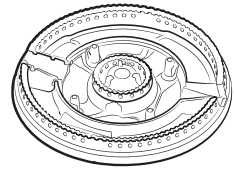
NOTE

Before removing the burner caps and heads, remember their size and location. Replace them in the same location after cleaning.

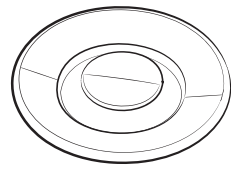
Wash burner caps and burner heads in warm, soapy water and rinse with clean running water. You may scour with a plastic sponge or pad to remove burned-on food particles. Use a sewing needle or paper clip to unclog the small holes in the burner head, if required.

CAUTION

- Do not wash any burner parts in a dishwasher.
- Do not use steel wool or scouring powders to clean the burners.



Brass burner head

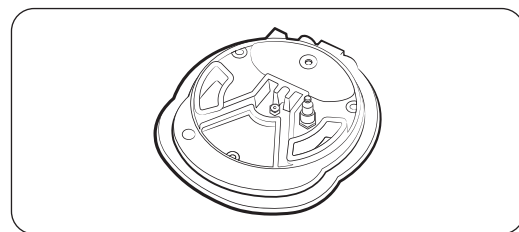


Brass burner cap

NOTE

- The brass parts of your burner will change color. However, this will not affect performance.
- After cleaning, check that all burner ports are unclogged.
- You may swap out the original burner caps for porcelain caps if desired.
- To remove burned-on grease, soak the brass burner cap in a solution of water and either 1 tablespoon of white vinegar or 1 tablespoon of lemon juice. Do not use a metallic brush while cleaning it. It can damage the brass parts.

Burner bases



CAUTION

The burner bases are not removable; do not try to disassemble them. Make sure that no water gets into the burner bases and the brass gas orifices. Wipe them clean with a damp cloth, being careful not to mar or deform the bases. Make sure the bases are completely dry before using the cooktop.

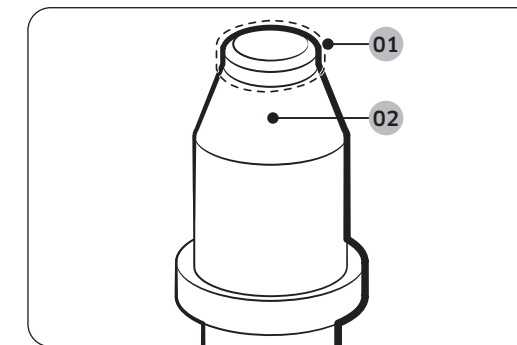
Electrodes

WARNING

Do not turn on the valve while touching the electrode. Electric shock might occur.

CAUTION

Do not attempt to remove the electrode from the cooktop or burner bases.



01 Metal part: Clean this metal part

02 White ceramic part: Do not clean this white ceramic part with an emery board

You should never be cooking while you're cleaning the cooktop.

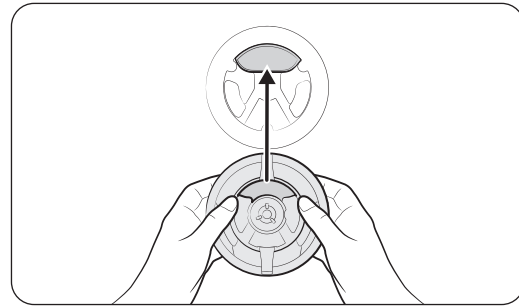
Make sure the white ceramic electrodes are clean and dry. Clean the metal portion with a soft cloth. Do not clean the igniters with water.

Before reassembling the surface burners, push down gently on each of the white ceramic electrodes to make sure they are pressed against the burner bases.

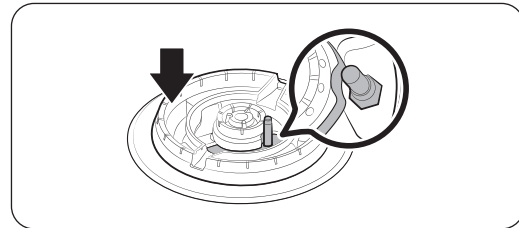
Care and maintenance - Cooktop

Burner head and cap replacement

Dual Burner head / caps



1. Orient the burner head so the electrode opening aligns with the electrode itself.

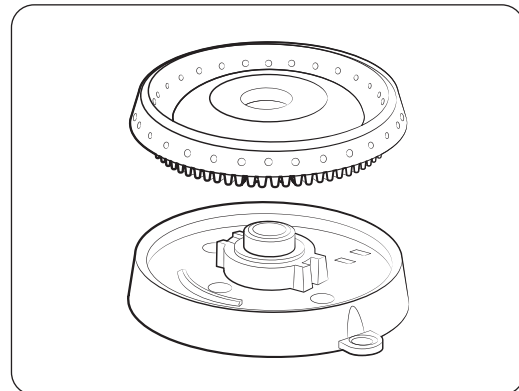


2. Install the burner head so the electrode passes through its opening in the head. Verify that the burner head lies flat on the cooktop.
3. Match the burner caps to the burners by size, and then re-install the caps on the burner heads.

⚠ CAUTION

Each cap fits on a specific burner head. Verify that each cap is installed and lies flat on the correct head.

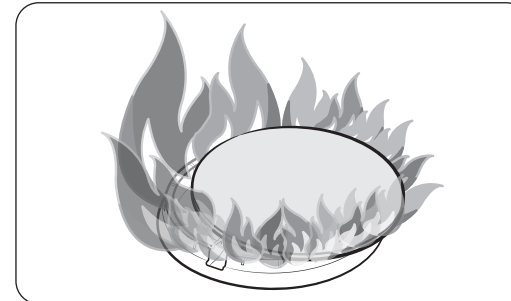
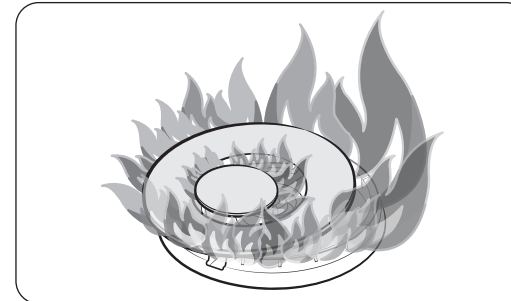
Round Burner head / caps



1. Put the burner heads on the burner bases. The bottom of the head fits inside the top of the burner base.
2. Turn the head until it drops in place, then wiggle it to ensure it is seated properly.
3. Place the burner caps on the burner rings. The ridge on the bottom of each cap fits around the top of the ring.

⚠ CAUTION

Verify that all burner parts are properly seated.



📖 NOTE

After installing the burners, verify that they will work properly. Improperly installed components will result in poor ignition or uneven flames as shown in the illustration at left. If the burner shows uneven flame and excessive yellow flame, shut off the burner immediately and let the burner cool down. Readjust the burner caps and try lighting the burner again. A good flame shows all blue and even flame around the burner.

Care and maintenance - Oven

Care and cleaning of the oven

⚠ WARNING

Be sure electrical power is off and all surfaces are cool before cleaning any part of the appliance.

Cleaning painted parts and decorative trim

- For general cleaning, use a cloth with hot, soapy water.
- For more difficult residue and built-up grease, apply a liquid detergent directly onto the area and leave for 30 to 60 minutes. Wipe with a damp cloth and dry. Do not use abrasive material or substances on any oven surfaces. They can be scratched.

Cleaning stainless steel surfaces

1. Shake a bottle of stainless steel appliance cleaner or polish well.
2. Place a small amount of stainless steel appliance cleaner or polish on a damp cloth or damp paper towel.
3. Clean a small area, rubbing along the grain of the stainless steel if applicable.
4. Dry and buff with a clean, dry paper towel or soft cloth.

📄 NOTE

Some paper towels tend to scratch stainless steel, test on an inconspicuous location before using.

5. Repeat as necessary.

📄 NOTE

- **Do not use a steel-wool pad. It will scratch the surface.**
- If a mineral-oil-based stainless steel appliance cleaner has been used before to clean the appliance, wash the surface with dishwashing liquid and water prior to using the stainless steel appliance cleaner or polish.

Convection filter

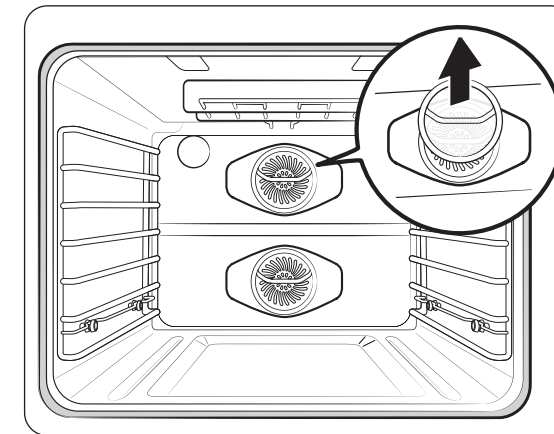
The convection filters are located in the back of each oven chamber.

Clean them regularly. If you allow them to become clogged, the oven's convection cooking modes will not work properly.

📄 NOTE

For your safety and proper oven performance, re-install the convection filters before cooking.

Removing your oven's convection filter

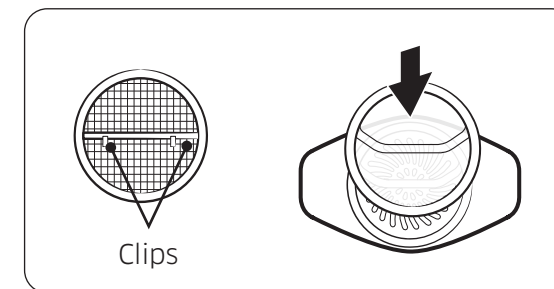


When the oven is cool, put your fingers around the edges of the filter and gently push up.

To clean the filter

Soak the filter in hot, soapy water, and rinse well. You may also place it in a dishwasher on the top rack. Dry the filter before re-installing it.

Installing your oven's convection filter



Carefully hook the metal clips on the back of the filter over the metal bar across the fan hole. Make sure it is centered over the hole. Be careful not to scratch the porcelain surfaces with the back of the filter

Air fry tray

To keep the Air fry tray clean, remove them from the cavity, and soak them in Lukewarm soapy water. Then, scour soil off of the Air fry tray using a plastic scouring pad.

📄 NOTE

The air fry tray is dishwasher-safe.

⚠ CAUTION

Do not leave the air fry tray in the oven during the self-cleaning cycle. The extreme heat generated in this cycle can permanently peel off the air fry coating, their color will turn slightly blue and finish will be dull.

Care and maintenance - Oven

Oven racks

- It is recommended to remove racks but if the racks are left in the oven during a self-cleaning cycle, their color will turn slightly blue and the finish will be dull. After the self-cleaning cycle is complete and the oven has cooled, rub the sides of the racks with wax paper or a cloth containing a small amount of oil. This will help the racks glide more easily on their tracks.
- Gliding racks may be cleaned by hand with an abrasive cleaner or steel wool. During cleaning, be careful not to allow water or cleaner to enter the slides on the sides of rack.

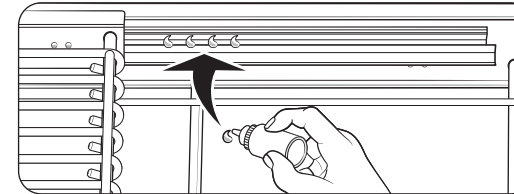
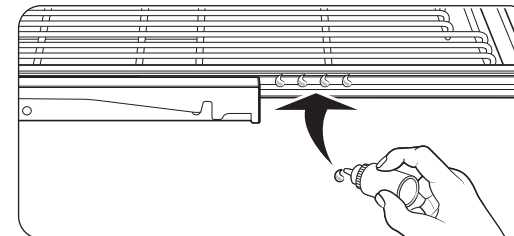
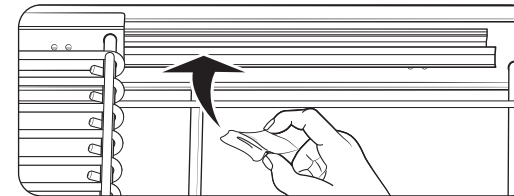
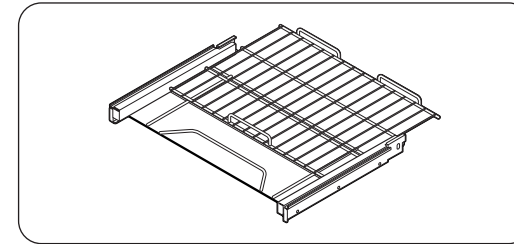
NOTE

- Do not clean the oven racks in a dishwasher.
- If the rack becomes hard to remove or replace, lightly wipe the oven rack guides with cooking oil. Do not wipe cooking oil on the slides.
- If the rack becomes difficult to slide, the rack may need to be lubricated using a graphite lubricant.
- Graphite lubricant is available for retail purchase. Verify that the lubricant is FDA-approved.

CAUTION

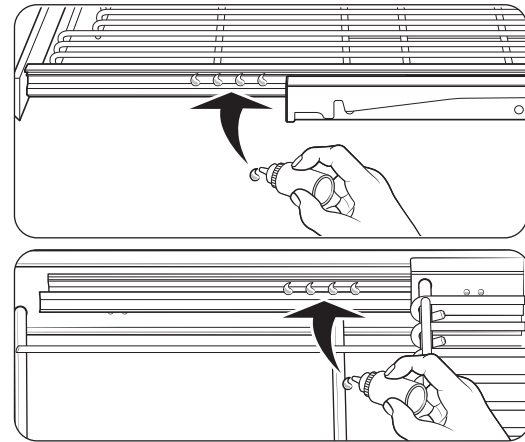
- Do not leave racks in the oven during the self-cleaning cycle. The extreme heat generated in this cycle can permanently peel off the racks' coating and make it difficult to remove the racks.
- Do not spray cooking oil or lubricant directly onto the gliding rack.

To lubricate the slides of the gliding rack



1. Remove the rack from the oven. See removing the gliding rack in the **Using the gliding rack** section on page 43.
2. Fully extend the rack on a table or countertop. Newspaper may be placed underneath the rack for easy cleanup.
3. If there is debris in the slide tracks, wipe it away using a paper towel. (Any graphite lubricant wiped away must be replaced - See steps 4 through 7.)
4. Shake the graphite lubricant before opening it. Starting with the left (front and back) slide mechanism of the rack, place four (4) small drops of lubricant on the two (2) bottom tracks of the slide close to the bearing carriers.

Care and maintenance - Oven



5. Repeat for the right (front and back) slide mechanism of the rack.
6. Open and close the rack several times to distribute the lubricant.
7. Replace the cap on the lubricant and shake it again. Turn the rack over and repeat steps 3, 4, 5, and 6.
8. Close the rack, turn the rack right-side-up, and then install it in the oven. See **Installing the gliding rack** on page 43.

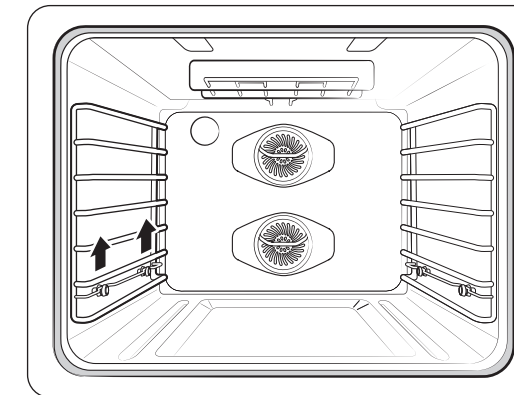
NOTE

Do not spray the gliding rack with cooking spray or other lubricant sprays.

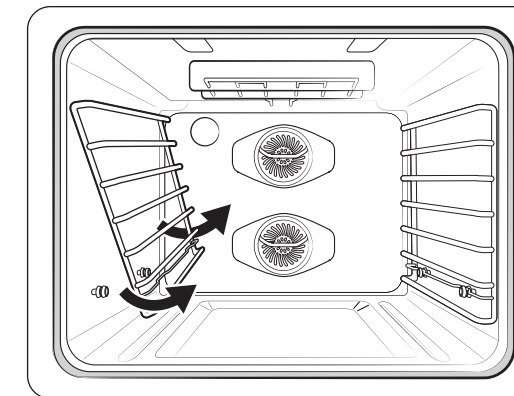
Ladder racks

Ladder Racks can be removed for manual cleaning or to prevent discoloration during a Self-Cleaning cycle.

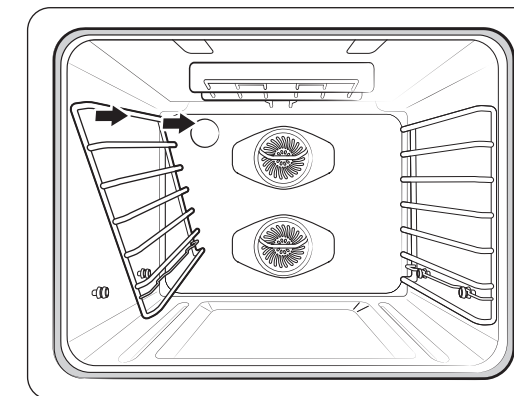
Removing the Ladder racks



1. Grasp the Position 2 rack guide, and then lift the Ladder Rack straight up. This frees the Ladder Rack from its two supports on the oven wall.



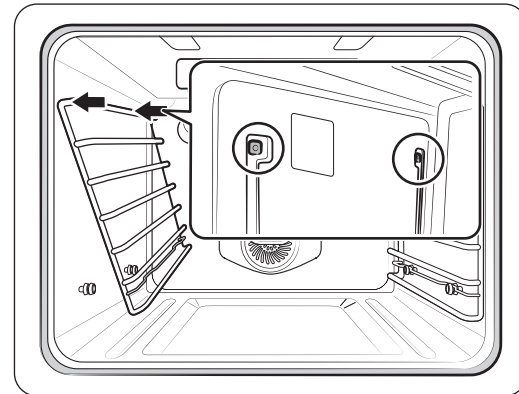
2. Rotate the Ladder Rack by approximately 45°.



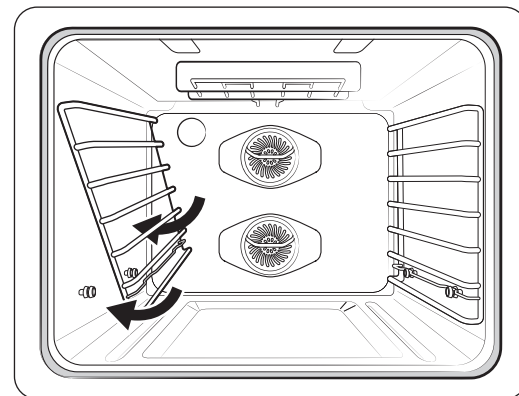
3. Pull the Rack away from the oven wall to remove it from the two support holes in the wall of the oven.
4. Repeat this procedure with the Ladder Rack on the opposite wall.

Care and maintenance - Oven

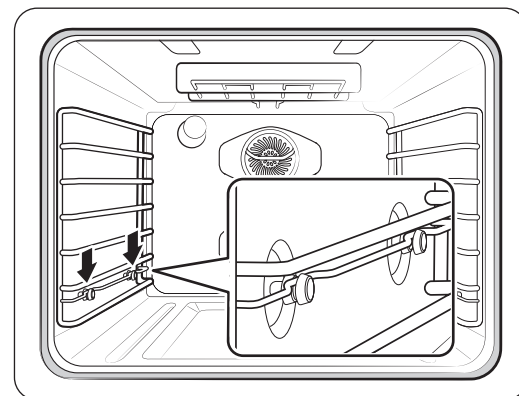
Replacing the Ladder racks



1. Put the top of the Ladder Rack back into the two support holes in the oven wall.

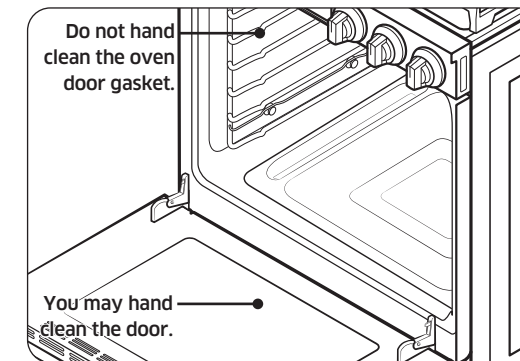


2. Rotate the Ladder Rack towards the oven wall.



3. Pull up on the Position 2 rack guide, and then press the Rack into the two supports on the oven wall.
4. Repeat this procedure with the Ladder Rack on the opposite wall.

Oven door



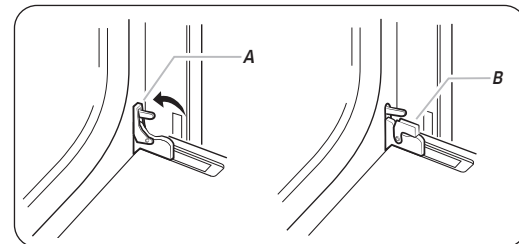
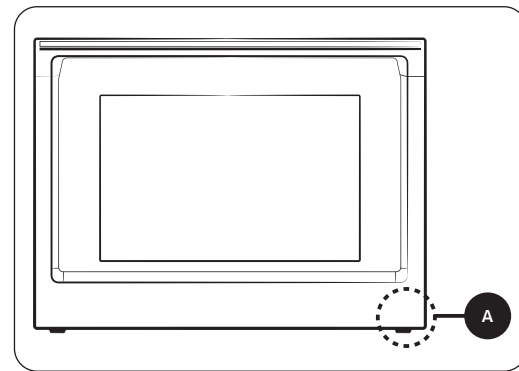
- Use soap and water to thoroughly clean the top, sides, and front of the oven door. Rinse well. You may use a glass cleaner on the outside glass of the oven door. **DO NOT immerse the door in water. DO NOT spray or allow water or the glass cleaner to enter the door vents.** DO NOT use oven cleaners, cleaning powders, or any harsh abrasive cleaning materials on the outside of the oven door.
- **DO NOT clean the oven door gasket.** The oven door gasket is made of a woven material which is essential for a good seal. Care should be taken not to rub, damage, or remove this gasket.

Care and maintenance - Oven

Removing the oven doors

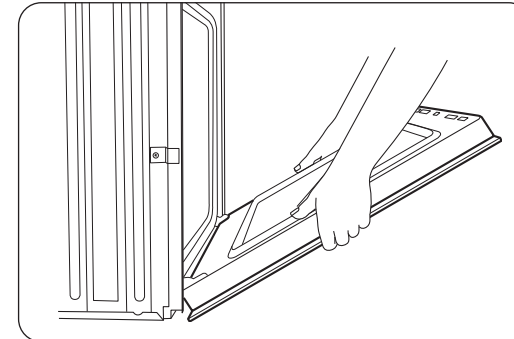
⚠ CAUTION

- The door is very heavy. Be careful when removing and lifting the door.
- Do not lift the door by the handle.
Use two hands to remove an oven door.
 - Take care when moving the oven door. Improper handling could result in physical injury.
 - To prevent electric shock, make sure the oven is turned off before removing the oven door.

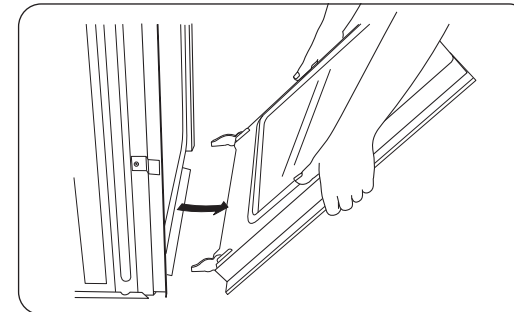


- A.** Oven door hinge latch in locked position
- B.** Oven door hinge latch in unlocked position

1. Prior to removing the oven door, prepare a surface where you will place it. This surface should be flat and covered with a soft blanket. You can also use the corner posts from your packaging material.
2. Open the oven door.
3. At the bottom corners of the door, flip the hinge locks fully out to unlock them; otherwise, the door cannot be removed.



4. Partially close the door to engage the door latch locks. The door will stop at this point.



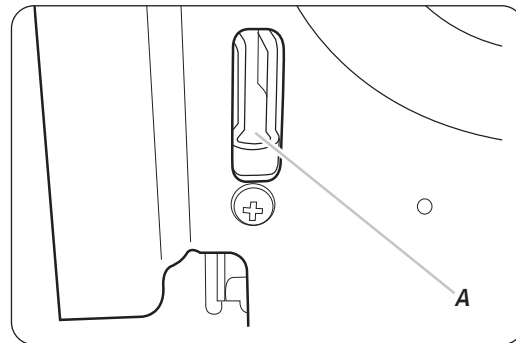
5. Grasp each side of the door below the handle, and lift the door slightly to expose the cabling at the base.
6. Set the oven door aside on the prepared covered work surface with the oven door resting on its handle.

Care and maintenance - Oven

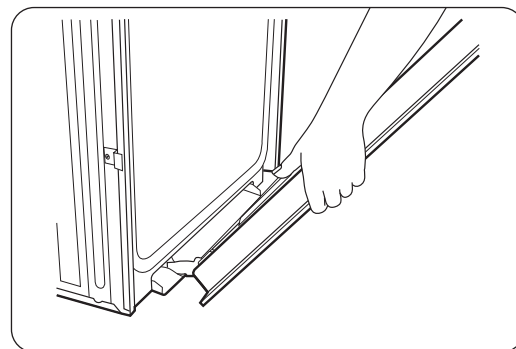
Reinstalling the oven doors

⚠ CAUTION

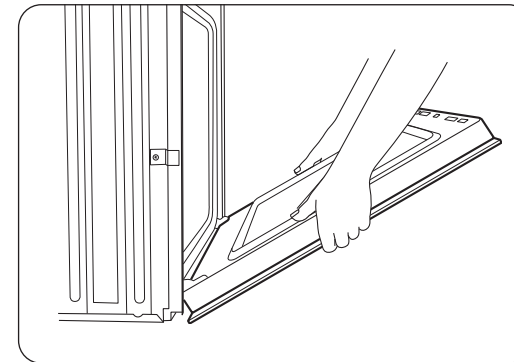
The door is very heavy. You may need help lifting the door high enough to slide it into the hinge slots. Do not lift the door by the handle.



A. Slot in the oven cavity for the door hinge lock



1. Using two hands, grasp the side edges of the door at the midpoint. Face the oven cavity.
2. Place the door near the product.
3. Locate the slots on each side of the oven cavity for the door hinge locks.
4. Hold the door at a 45° angle, and then align the door hinges with the slots in the lower front of the oven cavity. Slowly insert the door, making sure you maintain the 45° angle. You will know the door is engaged in the slot when you feel a slight drop.



5. Open the door fully. If the oven door does not open to a full 90°, repeat steps 1 through 4.
6. At the bottom corners of the door, flip the hinge locks forward to lock them. See Step 3 (illustration A) in the **Removing the oven doors** section for the proper locked position.
7. Close the oven door.

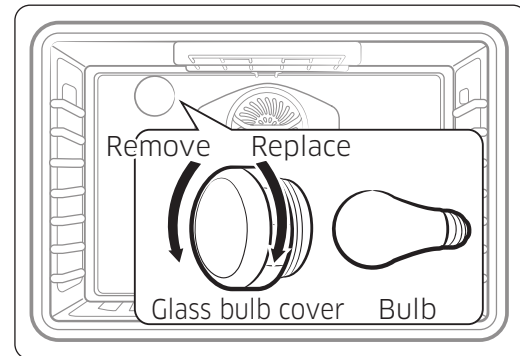
📖 NOTE

When the hinges are properly installed and the door is closed, there should be an even gap between the door and the control panel. If one side of the oven door is hanging lower than the other, the hinge on that side is not properly installed.

Care and maintenance - Oven

Oven light

The oven light is a standard 40-watt appliance bulb. It comes on when you open the oven door.



1. Turn off the oven.
2. Make sure the oven and oven light are cool.
3. Open the door, and remove the glass cover by turning it counterclockwise.
4. Remove the oven light from the socket by turning it counterclockwise.
5. Insert a new 40-watt appliance bulb into the socket, and then turn it clockwise to tighten.
6. Reinsert the glass cover, and then turn it clockwise to tighten.

CAUTION

To prevent electric shock, make sure the oven is turned off and cool before replacing the oven light.

NOTE

- The oven light does not operate during the self-cleaning cycle.
- Remove the racks if they prevent you from accessing the oven light.

Troubleshooting

If you run into unexpected trouble, look first for a solution in the tables below. If you are still having trouble after trying the suggested solution, call 833-353-5483(USA), 844-509-4659(CANADA).

Gas safety

Problem	Possible cause	Action
You smell gas.	The surface burner knob is not in the Off position and the burner is not lit.	Turn the burner knob to Off .
	There is a gas leak.	Clear the room, building, or area of all occupants. Immediately call your gas supplier from a neighbor's phone. Do not call from your phone. It is electrical and could cause a spark that could ignite the gas. Follow the gas supplier's instructions. If you cannot reach your gas supplier, call the fire department.

Surface burner

Problem	Possible causes	Action
All burners do not light.	The power cord is not plugged into the electrical outlet.	Make sure the electrical plug is plugged into a live, properly grounded outlet.
	A fuse in your home may be blown or the circuit breaker may have tripped.	Replace the fuse or reset the circuit breaker.
	The gas supply is not properly connected or turned on.	See the Installation Instructions that came with your range.
Surface burners do not light.	The control knob is not set properly.	Push in the control knob and turn it to the Lite position.
	The burner caps are not in place. The burner base is misaligned.	Clean the electrodes. Put the burner cap on the burner head. Align the burner base.

Troubleshooting

Problem	Possible causes	Action
Surface burner clicks during operation.	The control knob has been left in the Lite position.	After the burner lights, turn the control knob to a desired setting. If the burner still clicks, contact a service technician.
The burners do not burn evenly.	Surface burner components and caps are not assembled correctly and level.	See page 82 .
	The surface burners are dirty.	Clean the surface burner components. (See page 76 .)
Very large or yellow surface burner flames.	The wrong burner orifice is installed.	Check the burner orifice size. Contact your installer if you have the wrong orifice (LP gas instead of natural gas or natural gas instead of LP gas).
Surface burners light but oven burners do not light.	The oven door lock is turned on.	The display will show the Lock icon. Hold the oven door open and Tap and hold Settings for 3 seconds. The oven will beep and the Lock icon will turn off.
	The Gas Pressure Regulator shut off switch is in the off position.	Call a qualified service technician.

Control display

Problem	Possible cause	Solution
The display goes blank.	A fuse in your home may be blown or the circuit breaker tripped.	Replace the fuse or reset the circuit breaker.
Touch controls do not respond when tapped	There is foreign matter caught between the buttons	Remove the foreign matter and try again.
	There is moisture on the exterior	Remove the moisture and try again.
	The lock function is set	Check whether the lock function is set.

Oven

Problem	Cause	Action
The oven control beeps and displays an information code.	There may be an issue with your oven. See the Information codes chart on page 104 .	Turn the burner knob to Off , and then restart the oven. If the problem persists, disconnect all power to the range for at least 30 seconds and then reconnect the power. If this does not solve the problem, call for service.
The oven will not turn on.	The oven is not completely plugged into the electrical outlet.	Make sure the electrical plug is fully inserted into a live, properly grounded outlet.
	A fuse in your home may be blown or the circuit breaker may have tripped.	Replace the fuse or reset the circuit breaker.
The oven temperature is too hot or cold.	The oven thermostat needs adjustment.	See page 72 .
The oven burner will not shut off.	The oven door lock is turned on.	The display will show the Lock icon. Hold the oven door open and tap and hold Settings for 3 seconds. The oven will beep and the Lock icon will turn off.
	The Sabbath function has been activated.	SAb and the time of day will show in the display. All other controls and signals will be deactivated. To turn off the oven only, Turn the burner knob to off . To cancel the Sabbath function and reactivate the controls and signals, Tap and hold OK for 3 seconds.
Oven fan is making a noise, or won't turn off. <small>* Slide-In oven model only.</small>	The cooling fan is not visible, but you will hear it running whenever the electronics get hot and turn off when the electronics are cool.	This is normal operation to cool the oven, cooling fan automatically shuts down when the oven cools.

Troubleshooting

Problem	Cause	Action
The oven light (lamp) will not turn on.	The oven door lock is turned on.	The display will show the Lock icon. Hold the oven door open, and then tap and hold Settings for 3 seconds. The oven will beep and the Lock icon will turn off.
	The Sabbath function has been activated.	SAB and the time of day will show in the display. All other controls and signals will be deactivated. To cancel the Sabbath function and reactivate the light switch and other controls, Tap and hold OK for 3 seconds.
	A loose or burned-out bulb.	See page 96 .
	The switch operating the oven light needs to be replaced.	Call for a qualified service technician.
The oven smokes excessively during broiling.	Meat or food was not properly prepared before broiling.	Cut away excess fat and/or fatty edges that may curl.
	Improperly positioned top oven rack.	See the broiling guide on page 45 .
	The controls are not being set properly.	See page 32 .
	Greasy buildup on oven surfaces.	Regular cleaning is necessary when broiling frequently.
Cooking is finished, but the cooling fan is still running.	The fan automatically runs for a certain amount of time to ventilate the inside of the oven.	This is not a product malfunction. The fan is designed to run automatically for a period of time to cool down the oven.

Problem	Cause	Action
The oven will not self-clean.	The oven door lock is turned on.	The display will show the Lock icon. Hold the oven door open, and then tap Settings for 3 seconds. The oven will beep and the Lock icon will turn off.
	The Smart Divider is installed in the oven.	Self-clean will not operate with the Smart Divider installed. Remove it from the oven.
	The oven is too hot.	Let the oven cool down, and then reset the controls. The self-clean cycle will not lock the oven door if the oven temperature is too hot. The door must lock before the self-clean cycle can start.
	The self-cleaning oven controls are not properly set.	Reset the self-cleaning oven controls. (See page 60 .)
	A surface burner is on.	Turn off the surface burner. Self-clean will not operate if a surface burner is on.
	A crackling or popping sound.	This is normal.
Excessive smoking during a self-cleaning cycle.	This is the first time the oven has been cleaned.	This is normal. The oven will always smoke more the first time it is cleaned. Wipe up all excessive soil before starting the self-cleaning cycle. If smoke persists, Turn the burner knob to Off . Open the windows to clear the smoke from the room. After the oven has cooled and unlocked, wipe up excessive soil, and then reset the oven for self-cleaning.

Troubleshooting

Problem	Cause	Action
The oven door will not open after a self-cleaning cycle.	This is normal.	The oven door will stay locked until the oven temperature drops below 400 °F.
The oven is not clean after a self-cleaning cycle.	A fine dust or ash is normal.	This can be wiped clean with a damp cloth. Set the self-cleaning cycle for a longer cleaning time. The cycle was not long enough to burn off the dirt buildup. Extremely dirty ovens require hand-cleaning of excessive spillovers and food buildup before you start a self-cleaning cycle. Multiple self-cleaning cycles may be necessary to completely clean the oven.
There is steam or smoke coming from under the control panel.	This is normal.	The oven vent is located there. More steam is visible when you are using the convection functions or when baking or roasting multiple items at the same time.
A burning or oily odor coming from the vent.	This is normal for a new oven and will disappear within 1/2 hour of the first bake cycle.	To speed the process, set a self-cleaning cycle for a minimum of 3 hours. (See page 60 .)
Strong odor.	This is temporary.	The insulation around the inside of the oven emits an odor the first few times the oven is used.
The oven racks are difficult to slide.	This is normal.	Apply a small amount of vegetable oil to a paper towel, and then wipe the edges of the oven racks with the paper towel. Racks become dull and hard to slide if they are left in the oven during a self-clean cycle.
Fan noise.	This is normal.	The convection fan runs until the function is over or the door is opened.

Problem	Cause	Action
The convection fan is not working.	This is normal.	The fan starts automatically when the oven reaches the preheat temperature.

Others

Problem	Cause	Action
The product is not level.	The appliance has been installed improperly. The leveling leg(s) is (are) damaged or uneven.	Make sure the floor is level, strong, and stable. If the floor sags or slopes, contact a carpenter. Check and level the range. (See the Installation Instructions.)
	The kitchen cabinets are not properly aligned and make the range appear to be not level.	Ensure that cabinets are square and provide sufficient room for installation.
The display goes blank.	The electrical outlet Ground Fault Interrupter (GFI or GFCI) has been tripped and needs to be reset. Your digital control has been damaged.	Replace fuse or reset circuit breaker.
Food does not bake or roast properly in the oven.	The wrong cooking mode is selected.	See page 35 .
	The oven racks have not been positioned properly for the foods being cooked.	See page 40 .
	Incorrect cookware or cookware of improper size is being used.	See page 27 .
	There is aluminum foil on racks or oven bottom.	Remove foil.
	The clock or timers are not set correctly.	See page 32 .

Troubleshooting

Problem	Cause	Action
Food does not broil properly in the oven.	The oven controls are not set properly.	See page 32 .
	The oven door was not closed during broiling.	Close the oven door during broiling.
	The rack has not been properly positioned.	See the broiling guide on page 45 .

Information codes

Oven

Displayed code	Possible cause	Solution
C-d0	This code occurs if the control key is short for 1 minute.	Clean the buttons and make sure there is no water on/around them. Turn off the oven and try again. If the problem continues, contact a local Dacor service center.
C-d1	This code occurs if the door lock is mispositioned.	Turn the burner knob to Off , and then restart the oven. If the problem persists, disconnect all power to the oven for at least 30 seconds and then reconnect the power. If this does not solve the problem, call for service.
C-F0	This code occurs if communication between the Main and Sub PBA is interrupted.	
C-F2	This code occurs if communication between the Main and Touch is interrupted.	
C-20	The oven sensor is open when the oven is operating.	
	The oven sensor is short when the oven is operating.	
C-21	This code occurs if the internal temperature rises abnormally high.	Restart the appliance.

Displayed code	Possible cause	Solution
C-22	The Sub PCB sensor is open when the oven is operating.	Turn both the mode and temperature selector knobs to Off , and then restart the oven. If the problem persists, disconnect all power to the oven for at least 30 seconds and then reconnect the power. If this does not solve the problem, call for service.
	The Sub PCB sensor is short when the oven is operating.	
C-23	The temperature probe sensor is short when the oven is operating.	Turn the burner knob to Off , and then restart the oven. If the problem persists, disconnect all power to the oven for at least 30 seconds and then reconnect the power. If this does not solve the problem, call for service.
C-30	The PCB sensor is open when the oven is operating.	Call for service
	The PCB sensor is short when the oven is operating.	
C-31	This code occurs if the PCB temperature rises abnormally high.	Call for service
C-A2	The cooling motor is operating abnormally.	Call for service.

Warranty and Service

Warranty

What Is Covered

CERTIFICATE OF WARRANTIES: DACOR RANGES

WITHIN THE FIFTY STATES OF THE U.S.A., THE DISTRICT OF COLUMBIA, AND CANADA:

FULL TWO-YEARS WARRANTY

The warranty applies only to the Dacor appliance sold to the first use purchaser, starting from the date of original retail purchase or closing date for new construction, whichever period is longer. Warranty is valid on products purchased brand new from a Dacor Authorized Dealer, or other seller authorized by Dacor.

If your Dacor product fails to function within one year of the original date of purchase, due to a defect in material or workmanship, Dacor will remedy it without charge to you. All cosmetic damage (such as scratches on stainless steel, paint/porcelain blemishes, etc.) to the product or included accessories must be reported to Dacor within 60 days of the original purchase date to qualify for warranty coverage. Consumable parts such as filters and light bulbs are not covered and are the responsibility of the purchaser.

LIMITATIONS OF COVERAGE

Service will be provided by a Dacor designated service company during regular business hours. Please note service providers are independent entities and are not agents of Dacor. Dealer display and model home display products with a production date greater than 5 years, products sold "As Is," and products installed for non-residential use, which include but are not limited to religious organizations, fire stations, bed & breakfast, and spas carry a one year parts warranty only. All delivery, installation, labor costs, and other service fees are the responsibility of the purchaser.

Warranty will be null and void on product that has altered, defaced, or missing serial numbers and tags.

The owner must provide proof of purchase or closing statement for new construction upon request. All Dacor products must be accessible for service.

Warranty is null and void if non-ETL or non-CUL approved product is transported from the U.S.A.

OUTSIDE THE FIFTY STATES OF THE U.S.A., THE DISTRICT OF COLUMBIA, AND CANADA:

LIMITED TWO-YEARS WARRANTY

If your Dacor product fails to function within two years of the original date of purchase due to a defect in material or workmanship, Dacor will furnish a new part, F.O.B. factory to replace the defective part.

All delivery, installation, labor costs and other service fees are the responsibility of the purchaser.

What Is Not Covered

- Slight color variations may be noticed because of differences in painted parts, kitchen lighting, product placement and other factors; this warranty does not apply to color variation.
- Service calls to educate the customer on proper use and care of the product.
- Service fees for travel to islands and remote areas, which include but are not limited to, ferries, toll roads or other travel expenses.
- Consequential or incidental damage, including but not limited to food or medicine loss, time away from work or restaurant meals.
- Failure of the product when used for commercial, business, rental or any application other than for residential consumer use.
- Failure of the product caused by improper product installation.
- Replacement of house fuses, fuse boxes or resetting of circuit breakers.
- Damage to the product caused by accident, fire, flood, power interruption, power surges or other acts of God.
- Liability or responsibility for damage to surrounding property including cabinetry, floors, ceilings and other structures or objects around the product.
- Breakage, discoloration, or damage to glass, metal surfaces, plastic components, trim, paint or other cosmetic finish caused by improper usage, care, abuse or neglect.

Out of Warranty

Should you experience a service issue beyond the standard warranty period, please contact us. Dacor reviews each issue and customer concern to provide the best possible solution based on the circumstances.

Warranty and Service

THE REMEDIES PROVIDED IN THE ABOVE EXPRESS WARRANTIES ARE THE SOLE AND EXCLUSIVE REMEDIES. THEREFORE, NO OTHER EXPRESS WARRANTIES ARE MADE, AND OUTSIDE THE FIFTY STATES OF THE UNITED STATES, THE DISTRICT OF COLUMBIA AND CANADA, ALL IMPLIED WARRANTIES, INCLUDING BUT NOT LIMITED TO, ANY IMPLIED WARRANTY OF MERCHANTABILITY OR FITNESS FOR A PARTICULAR USE OR PURPOSE, ARE LIMITED IN DURATION TO ONE YEAR FROM THE DATE OF ORIGINAL PURCHASE. IN NO EVENT SHALL DACOR BE LIABLE FOR INCIDENTAL EXPENSE OR CONSEQUENTIAL DAMAGES. IN THE EVENT DACOR PREVAILS IN ANY LAWSUIT, DACOR SHALL BE ENTITLED TO REIMBURSEMENT OF ALL COSTS AND EXPENSES, INCLUDING ATTORNEY'S FEES, FROM THE DACOR CUSTOMER. NO WARRANTIES, EXPRESS OR IMPLIED, ARE MADE TO ANY BUYER FOR RESALE.

Some states do not allow limitations on how long an implied warranty lasts, or do not allow the exclusion or limitation of inconsequential damages, therefore the above limitations or exclusions may not apply to you. This warranty gives you specific legal rights, and you may also have other rights that vary from state to state.

Open-Source Announcement

The software included in this product contains open source software. You may obtain the complete corresponding source code for a period of three years after the last shipment of this product by sending an email to <mailto:oss.request@samsung.com>.

It is also possible to obtain the complete corresponding source code in a physical medium such as a CD-ROM; a minimal charge will be required.

The following URL http://opensource.samsung.com/opensource/OVEN_HKM_TZ/seq/0 leads to the download page of the source code made available and open source license information as related to this product. This offer is valid to anyone in receipt of this information.





Please visit www.dacor.com to activate your warranty online.

WARRANTY INFORMATION



IMPORTANT:

Your warranty will not begin until you activate it online or return this form to Dacor. If you have purchased more than one Dacor product, please return all forms in one envelope, or activate the warranty for each product online.

Please rest assured that under no conditions will Dacor sell your name or any of the information on this form for mailing list purposes. We are very grateful that you have chosen Dacor products for your home and we do not consider the sale of such information to be a proper way of expressing our gratitude!

Owner's Name: _____
Last (Please Print or Type) First Middle

Street: _____

City: _____ State: _____ Zip: _____

Purchase Date: _____ **Email:** _____ **Telephone:** _____

Dealer: _____

City: _____ State: _____ Zip: _____

Your willingness to take a few seconds to fill in the section below will be sincerely appreciated. Thank you.

1. How were you first exposed to Dacor products? (Please check one only.)

- A. T.V. Cooking Show
- B. Magazine
- C. Appliance Dealer Showroom
- D. Kitchen Dealer Showroom
- E. Home Show
- F. Builder
- G. Architect/Designer
- H. Another Dacor Owner
- I. Model Home
- J. Other _____

2. Where did you buy your Dacor appliances?

- A. Appliance Dealer
- B. Kitchen Dealer
- C. Builder Supplier
- D. Builder
- E. Other _____

3. For what purpose was the product purchased?

- A. Replacement **only**
- B. Part of a Remodel
- C. New Home
- D. Other _____

4. What is your household income?

- A. Under \$75,000
- B. \$75,000 - \$100,000
- C. \$100,000 - \$150,000
- D. \$150,000 - \$200,000
- E. \$200,000 - \$250,000
- F. Over \$250,000

5. What are the brands of appliances that you have in your kitchen?

- A. Cooktop _____
- B. Oven _____
- C. Dishwasher _____
- D. Refrigerator _____

6. Would you buy or recommend another Dacor product?

- Yes
- No

Comments: _____

Thank you very much for your assistance. The information you have provided will be extremely valuable in helping us plan for the future and giving you the support you deserve.

Place Serial Number Label Here

MEMO

cut here

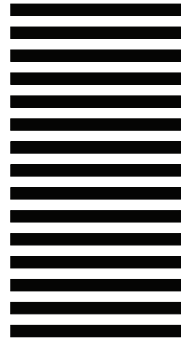
cut here

Website: www.dacor.com

Phone: 833-353-5483(USA), 844-509-4659(CANADA).



NO POSTAGE
NECESSARY
IF MAILED
IN THE
UNITED STATES



BUSINESS REPLY MAIL
FIRST-CLASS MAIL PERMIT NO 1600 CITY OF INDUSTRY CA

POSTAGE WILL BE PAID BY ADDRESSEE

DACOR
ATTN: WARRANTY PROCESSING DEPT
PO BOX 90070
CITY OF INDUSTRY, CA 91715-9907



fold here



DG68-01459A-00



Dacor • 14425 Clark Avenue, City of Industry, CA 91745 • Phone: 833-353-5483(USA), 844-509-4659(CANADA) • Fax: (626) 403-3130 • www.dacor.com

dacor

Manual del usuario

Estufa Pro de combustible dual

DOP30*940**

ADVERTENCIA

Nunca descuide la sección de cocción de la superficie superior de este artefacto

- El ignorar esta advertencia podría provocar un incendio, una explosión o un peligro de quemadura que podría ocasionar daños materiales, lesiones o la muerte.
- Si se produce un incendio, manténgase alejado del artefacto y llame a los bomberos de inmediato.

NO INTENTE APAGAR UN INCENDIO DE ACEITE O GRASA CON AGUA.

ADVERTENCIA: No seguir las instrucciones de este manual con exactitud puede provocar un incendio o una explosión que podría ocasionar daños materiales, lesiones o la muerte.

- **NO** guarde ni utilice gasolina u otros productos inflamables cerca de este artefacto.
- **SI HAY OLOR A GAS:**
 - **NO** encienda ningún otro artefacto.
 - **NO** toque ningún interruptor eléctrico.
 - **NO** utilice ningún teléfono dentro del edificio.
 - Llame inmediatamente a su proveedor de gas desde el teléfono de un vecino. Siga las instrucciones del proveedor.
 - Si no puede comunicarse con el proveedor de gas, llame al departamento de bomberos.
- La instalación y el servicio técnico deben ser realizados por el proveedor de gas, o un instalador o agencia de servicio técnico calificados.

DISPOSITIVO ANTINCLINACIÓN

ADVERTENCIA

Para reducir el riesgo de inclinar la estufa, esta se debe asegurar con un dispositivo antinclinación correctamente instalado. **DESPUÉS DE INSTALAR LA ESTUFA, CONFIRME QUE EL DISPOSITIVO ANTINCLINACIÓN SE HAYA INSTALADO CORRECTAMENTE Y VERIFIQUE QUE ESTÉ CORRECTAMENTE ENGANCHADO.** Consulte el manual de instalación para ver las instrucciones.

- a) Si el dispositivo antinclinación no está instalado, existe el riesgo de muerte si un niño o adulto inclina la estufa.
- b) Verifique que el dispositivo antinclinación se haya instalado y enganchado correctamente en la parte trasera derecha (o trasera izquierda) de la base de la estufa.
- c) Si mueve la estufa y la vuelve a colocar en su lugar, asegúrese de que el dispositivo antinclinación se vuelva a enganchar en la parte trasera derecha o izquierda de la base de la estufa.
- d) No opere la estufa sin que el dispositivo antinclinación esté colocado ni enganchado. De lo contrario, podría provocar quemaduras graves o incluso la muerte en niños o adultos.



ADVERTENCIA

No pise la tapa del horno de la estufa ni se incline ni se sienta sobre ella. Esto podría causar que la estufa se incline y provoque quemaduras o lesiones graves.

Confirme que el dispositivo antinclinación esté correctamente instalado. Luego, para verificar que el dispositivo antinclinación esté enganchado, sujete el borde trasero superior de la estufa e intente inclinarla hacia adelante cuidadosamente. El dispositivo antinclinación debería evitar que la estufa se incline más que unas pocas pulgadas hacia adelante.

Si aleja la estufa de la pared por algún motivo, asegúrese de que el dispositivo antinclinación se enganche correctamente cuando vuelva a colocar la estufa contra la pared. Si no está enganchado, existe el riesgo de que la estufa se caiga y provoque lesiones si usted o un niño se encuentran de pie sobre la puerta abierta, o si se sientan o inclinan sobre ella.

Nunca retire por completo las patas niveladoras. Si las retira por completo, la estufa no estará asegurada correctamente al dispositivo antinclinación.

Aviso normativo

1. Aviso del sistema de radio

PRECAUCIÓN

Los cambios o modificaciones que no estén expresamente aprobados por la parte responsable del cumplimiento pueden anular la autoridad del usuario para utilizar este artefacto. El equipo de habilitación remota instalado en este producto cumple con la parte 15 de las reglas de la Comisión Federal de Comunicaciones (FCC) y con los estándares de sindicación realmente simple (RSS) con exención de licencia del Departamento de Innovación, Ciencia y Desarrollo Económico de Canadá. El funcionamiento está sujeto a dos condiciones:

- 1) Este equipo puede no producir interferencias perjudiciales.
- 2) Este equipo debe aceptar todas las interferencias recibidas, incluidas interferencias que provoquen un funcionamiento no deseado.

Para los productos disponibles en los mercados de EE. UU. y Canadá, solo se encuentran disponibles los canales 1~11. No puede elegir ningún otro canal.

1. DECLARACIÓN del sistema de radio:

Este equipo se sometió a pruebas y se demostró que se encuentra dentro de los límites para considerarse un dispositivo digital Clase B de acuerdo con la parte 15 de las reglas de la FCC y el estándar ICES-003 de Canadá. Estos límites fueron diseñados para brindar una protección razonable contra las interferencias perjudiciales en una instalación residencial.

Este equipo genera, utiliza y puede irradiar energía de radiofrecuencia y, si no se instala y se utiliza según las instrucciones, puede producir interferencias perjudiciales en las radiocomunicaciones. Sin embargo, no existe garantía de que no se produzca interferencia en una instalación particular. Si este artefacto produce interferencias perjudiciales en la recepción de radio o televisión, determinadas al prender o apagar el equipo, se recomienda al usuario que intente corregir la interferencia tomando alguna de las siguientes medidas:

- Reorientar o trasladar la antena receptora
- Aumentar la separación entre el equipo y el receptor
- Conectar el equipo a un tomacorriente que esté en un circuito diferente al de la radio o el televisor
- Solicitar ayuda al distribuidor o a un técnico especializado

DECLARACIÓN DE EXPOSICIÓN A LA RADIACIÓN:

Este equipo se encuentra dentro de los límites de exposición a la radiación de la FCC y el estándar RSS-102 de la industria de Canadá. El equipo debe ser instalado y operado si hay al menos 8 pulgadas (20 cm) entre el radiador y su cuerpo. Este dispositivo y sus antenas no deben ser localizados ni operados en el mismo sitio de otra antena o transmisor.



A nuestros valiosos clientes:

¡Felicidades por la compra de lo último en productos Dacor®! Nuestra combinación única de características, estilo y funcionamiento nos hace una gran incorporación a su hogar.

Para familiarizarse con los controles, las funciones y todo el potencial de su nueva estufa Dacor, lea este manual por completo a partir de la sección **Antes de comenzar** (pág. 9).

Los artefactos Dacor están diseñados y fabricados con calidad y orgullo, mientras trabajamos dentro del marco de los valores de nuestra compañía. Si tiene problemas con su estufa, consulte primero la sección **Solución de problemas** (págs. 97 - 106), donde encontrará sugerencias y soluciones que pueden ahorrarle la llamada al servicio técnico.

Los valiosos comentarios de los clientes nos ayudan a mejorar nuestros productos y servicios constantemente. Si necesita ayuda con sus necesidades relacionadas con los productos y los servicios, siéntase libre de contactar a nuestro Equipo de seguridad del cliente.

Servicio de seguros de Dacor

- **USA**
Samsung Electronics America, Inc.
85 Challenger Road
Ridgefield Park, NJ 07660
- **Canadá**
Samsung Electronics Canada Inc.
2050 Derry Road West, Mississauga,
Ontario L5N 0B9 Canada

Teléfono: 833-353-5483(EE. UU.), 844-509-4659(Canadá)

Horario de atención: Lunes a viernes de 8:00 a. m. a 8:00 p. m. del horario del Pacífico

Sitio web: www.dacor.com

Gracias por elegir Dacor para su hogar. Somos una compañía creada por familias para familias, y nos dedicamos a servirles. Estamos seguros de que su nueva estufa Dacor tendrá un alto nivel de funcionamiento y será una fuente de disfrute durante décadas.

Saludos,

The Dacor Customer Assurance Team

Contenido

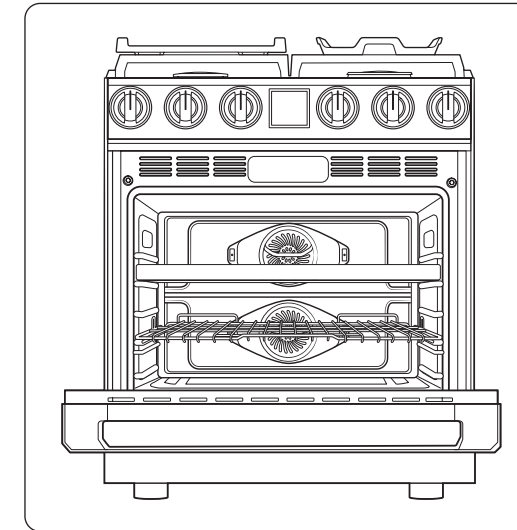
Antes de comenzar	9
Importante	9
Acerca de este manual	9
Nota importante para el instalador	9
Nota importante para el usuario	10
Nota importante para el técnico	10
Consejos para ahorrar energía	10
Conductos de ventilación y refrigeración del horno	11
Instrucciones de seguridad importantes	12
Lea todas las instrucciones antes de usar este artefacto	12
Símbolos usados en este manual	12
Advertencia de la Propuesta 65 de California	12
Mancomunidad de Massachusetts	12
Seguridad general	13
Seguridad contra incendios	14
Seguridad del gas	14
Seguridad eléctrica y de conexión a tierra	15
Seguridad de la ubicación	16
Seguridad de la placa de cocción	17
Seguridad del horno	19
Seguridad del horno autolimpiante	20
Resumen	21
Disposición	21
Paneles de control y pantallas	21
Panel de control del horno	22
Qué incluye	23
Uso de la placa de cocción	24
Quemadores	24
Encendido	25
Utensilios de cocina	27
Rejillas	29
Comal (accesorios de compra adicionales)	30
Anillo para wok	31
Uso del horno	32
Configuración básica: reloj y formato de hora	32
Temporizador	33
Cocción cronometrada	34
Funciones del horno	35

Contenido

Instrucciones básicas de funcionamiento	38
Uso de las parrillas del horno	40
Uso de la parrilla deslizante	43
Modo Air Fry (Freír con aire)	46
Modo Stone Bake (Hornear a la piedra)	50
Uso de la función especial	51
Modo Air Sous Vide (Cocinar al vacío)	53
Sonda de temperatura	57
Función de limpieza	60
Limpieza ecológica	64
Uso de la función Sabbath (Sabbath)	66
Uso de la función Smart Control (Control inteligente)	68
Para encender el horno de forma remota	69
Seguro para niños	70
Configuración	71
Uso de la función de control de la campana	74
Cuidados y mantenimiento: placa de cocción	76
Limpieza de la superficie de la placa de cocción	76
Superficies de acero inoxidable	77
Perillas de control	78
Rejillas de los quemadores y sus componentes	79
Tapas y cabezales de los quemadores	80
Bases de los quemadores	80
Electrodos	81
Reemplazo de cabezales y tapas de los quemadores	82
Cuidados y mantenimiento: horno	84
Cuidado y limpieza del horno	84
Parrillas verticales	89
Reemplazo de las parrillas verticales	90
Retiro de la puerta del horno	92
Recolocación de la puerta del horno	94
Luz del horno	96
Solución de problemas	97
Códigos de información	105
Garantía y servicio técnico	107
Garantía	107
Anuncio de código abierto	110

Antes de comenzar

Importante



- El diseño y/o los accesorios generales pueden variar dependiendo del modelo.

Limpie el horno por completo antes de usarlo por primera vez. Después, retire los accesorios, establezca el horno en modo Bake (Hornear) y haga funcionar el horno a 425 °F durante una hora. Se podrá percibir un olor distintivo. Eso es normal.

Asegúrese de que su cocina esté bien ventilada durante este período de acondicionamiento.

Acerca de este manual

LEA ESTAS INSTRUCCIONES EN SU TOTALIDAD Y CUIDADOSAMENTE.

Nota importante para el instalador

- Lea todas las instrucciones de este instructivo antes de proceder con la instalación del artefacto.
- Quite todos los materiales de empaquetado de los compartimientos del artefacto antes de conectar el suministro eléctrico y de gas.
- Cumpla con todos los códigos y ordenanzas exigidos por las autoridades pertinentes.
- Asegúrese de dejar estas instrucciones al usuario.
- La instalación de este artefacto requiere habilidades mecánicas básicas.
- El instalador es responsable de llevar a cabo una instalación adecuada.
- La falla del producto debido a la instalación incorrecta no está cubierta por la garantía.

Instalador

- Para promover la seguridad y minimizar problemas, lea este manual detalladamente antes de comenzar con la instalación. Deje este manual al usuario.
- Escriba los números de serie y el modelo del artefacto en este manual a modo de referencia para el servicio técnico y el mantenimiento.

Usuario

- Guarde este manual a modo de referencia personal y para inspectores, personal del servicio técnico, etc.

Antes de comenzar

Nota importante para el usuario

Conserve estas instrucciones con el manual del usuario para su referencia futura.

- Como cualquier artefacto que genera calor con su uso, debe seguir ciertas precauciones de seguridad.
- Asegúrese de que su artefacto haya sido correctamente instalado y conectado a tierra por un instalador o técnico de servicio calificado.
- Asegúrese de que los revestimientos de las paredes alrededor de la estufa puedan soportar el calor que genera.
- Debe haber un espacio entre los muebles de almacenamiento y los quemadores de la estufa de, al menos, 30 pulgadas (76.2 cm).

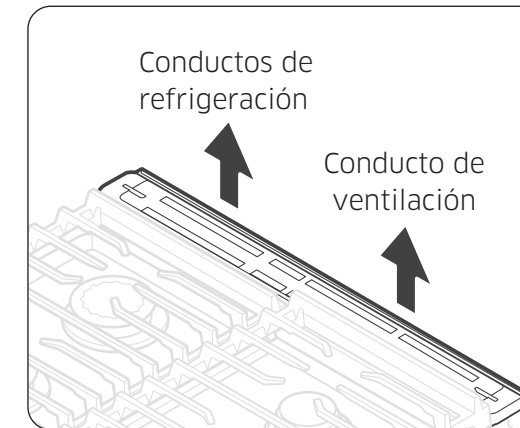
Nota importante para el técnico

El diagrama eléctrico se adjunta dentro del minimanual.

Consejos para ahorrar energía

- Durante la cocción, la puerta del horno debe permanecer cerrada, excepto cuando tenga que dar vuelta los alimentos. No abra seguido la puerta durante la cocción para mantener la temperatura del horno y ahorrar energía.
- Si el tiempo de cocción es superior a 30 minutos, puede apagar el horno entre 5 y 10 minutos antes del final de la cocción para ahorrar energía. El calor residual completará el proceso de cocción.
- Para ahorrar energía y reducir el tiempo que se necesita para recalentar el horno, planifique el uso del horno para evitar apagarlo entre la cocción de un alimento y el siguiente.
- Siempre que sea posible, cocine más de un alimento a la vez.

Conductos de ventilación y refrigeración del horno



Los conductos de ventilación y refrigeración del horno se ubican en la parte posterior de la estufa. Una buena circulación del aire evita los problemas de combustión y garantiza un buen funcionamiento.

- No bloquee el conducto de ventilación ni sus alrededores con objetos.
- Tenga cuidado cuando coloque objetos cerca del conducto de ventilación. El vapor caliente puede sobrecalentarlos o derretirlos.
- Tenga cuidado al operar el horno en cualquiera de sus modos. El horno libera aire muy caliente por el conducto de ventilación.

Instrucciones de seguridad importantes

Lea todas las instrucciones antes de usar este artefacto

- Todos los equipos de gas y eléctricos con piezas móviles pueden ser peligrosos. Asegúrese de leer la información importante de seguridad de este manual. Se deben seguir las instrucciones para minimizar el riesgo de daños materiales, lesiones o muerte.
- Guarde este manual en un lugar accesible para poder consultarlo de ser necesario.

Símbolos usados en este manual

ADVERTENCIA

Peligros o prácticas poco seguras que pueden provocar lesiones personales graves o la muerte.

PRECAUCIÓN

Peligros o prácticas poco seguras que pueden provocar descargas eléctricas, lesiones personales o daños a la propiedad.

NOTA

Instrucciones y sugerencias útiles

Estos símbolos de advertencia están pensados para evitar daños a la propiedad y lesiones personales. Sígalos al pie de la letra.

Advertencia de la Propuesta 65 de California

ADVERTENCIA

Cáncer y daño reproductivo: www.P65Warnings.ca.gov

Mancomunidad de Massachusetts

A este producto lo debe instalar un plomero autorizado o un gasista calificado o autorizado del Estado de Massachusetts. Cuando se utilicen válvulas de bola para el cierre del gas, se debe usar una manija en forma de "T". No se deben conectar varios conductos flexibles de gas en serie.

Seguridad general

ADVERTENCIA

Para reducir el riesgo de incendio, descargas eléctricas, lesiones y muerte, respete estas precauciones.

- **No toque** ninguna superficie, componente ni mecanismo de la estufa durante la cocción o inmediatamente después de cocinar.
- **Conozca** dónde se encuentra la válvula de entrada de gas de la estufa y cómo cerrarla.
- **Asegúrese de que el dispositivo antiinclinación** esté correctamente instalado en la estufa. Consulte las instrucciones de instalación para obtener más información.
- **No permita que los niños se acerquen** a la estufa. No permita que los niños entren o se suban a la estufa. No les permita jugar con la estufa ni con cualquiera de sus piezas. No deje a los niños sin supervisión en la cocina donde se esté usando la estufa. Para la seguridad de los niños, se recomienda usar la función de traba de controles y puerta.
- **Retire** todo el empaquetado antes de utilizar la estufa para evitar que el material se incendie. Mantenga el empaquetado lejos de los niños. Deseche correctamente el empaquetado apenas desempaque la estufa.
- **No deje** objetos que puedan despertar el interés de los niños sobre la estufa ni a su alrededor.
- **No utilice** la estufa si está dañada, si funciona de manera incorrecta o si le faltan piezas.
- **No utilice** la estufa como calentador de ambiente. Utilice la estufa solo para cocinar.
- **No utilice** limpiadores o cubiertas para horno dentro de este ni alrededor de alguna de sus piezas.
- **Utilice** únicamente agarradores aislantes secos.
- **No utilice** la estufa para calentar comida en envases sellados.
- **No golpee** el vidrio del horno.
- Cuando deseche la estufa, **corte** el cable de alimentación y **retire** la puerta para evitar que los niños y los animales queden atrapados.
- **Desenchufe** la estufa antes de realizar tareas de servicio técnico o de mantenimiento.
- **Asegúrese** de que toda la carne roja y de ave se cocine completamente. La carne roja siempre se debe cocinar a una temperatura interna de 160 °F (71 °C). La carne de ave siempre se debe cocinar a una temperatura interna de 180 °F (82 °C).
- No intente operar los quemadores de la estufa de encendido eléctrico durante un corte eléctrico.
- Mantenga el área del artefacto libre de materiales combustibles, gasolina y otros vapores y líquidos inflamables.
- **Indíqueles** a los niños que no deben tocar ni jugar con los controles de la estufa ni con ninguna de sus piezas. Se recomienda utilizar la función de traba de controles y de la puerta para reducir el riesgo de uso indebido por parte de los niños.
- Las cortinas de aire u otras campanas extractoras, que funcionan dirigiendo el flujo de aire hacia abajo, hacia una estufa, no deben utilizarse junto con una estufa a gas, a menos que la campana y la estufa hayan sido diseñadas para eso y probadas de acuerdo con la norma para estufas domésticas a gas, ANSI Z21.1 • CSA1.1, y que figuren en la lista de un laboratorio de análisis independiente como aptas para uso combinado.

Instrucciones de seguridad importantes

Seguridad contra incendios

⚠️ ADVERTENCIA

Para reducir el riesgo de incendio, descargas eléctricas, lesiones y muerte, respete estas precauciones:

- **No almacene, coloque ni utilice** materiales combustibles (p. ej., papel, plástico, agarradores aislantes, ropa de cama, gasolina o alcohol) cerca de la estufa.
- **No use** prendas amplias ni colgantes mientras utiliza la estufa.
- Para evitar la acumulación de grasa, **limpie regularmente** las ventilaciones.
- **No permita** que los agarradores aislantes u otros materiales inflamables toquen un elemento caliente. No utilice una toalla ni otra tela voluminosa en lugar de un agarrador aislante.
- **No apague** un incendio por grasa con agua. En lugar de usar agua, apague la fuente de calor, y extinga el incendio con una tapa bien ajustada o utilice un extinguidor multipropósito, de polvo químico seco o de espuma.
- **No caliente** comida en envases cerrados. La acumulación de presión puede provocar que los envases exploten y ocasionar lesiones.
- No utilice el horno como espacio de almacenamiento. El papel y otros materiales inflamables que se almacenen en el horno pueden incendiarse.
- **No coloque** ningún material ni elemento combustible alrededor de la estufa.

Seguridad del gas

⚠️ ADVERTENCIA

Para reducir el riesgo de incendio, descargas eléctricas, lesiones y muerte, respete estas precauciones:

Si hay olor a gas:

- **Cierre la válvula** y no use la estufa.
- **No prenda** fósforos, velas o cigarrillos.
- **No encienda** artefactos a gas o eléctricos.
- **No toque** ningún interruptor eléctrico ni enchufe a un cable de alimentación.
- **No utilice** ningún teléfono dentro del edificio.
- **Evacúe** a todas las personas del edificio.
- **Llame inmediatamente** al proveedor de gas desde el teléfono de un vecino. Siga las instrucciones del proveedor de gas.
- Si no puede comunicarse con el proveedor de gas, llame al departamento de bomberos.

Verificación de pérdidas de gas

La prueba de pérdidas del artefacto debe realizarse de acuerdo con las instrucciones del fabricante. **No utilice** una llama para verificar si hay pérdidas de gas. Utilice un cepillo para esparcir una solución de agua jabonosa alrededor del área en cuestión. Si hay una pérdida de gas, aparecerán pequeñas burbujas en la solución. En caso de duda, pida ayuda a un profesional.

Seguridad eléctrica y de conexión a tierra

⚠️ ADVERTENCIA

Para reducir el riesgo de incendio, descargas eléctricas, lesiones y muerte, respete estas precauciones:

- Enchufe la estufa a un tomacorriente de conexión a tierra de 4 clavijas.
- **No retire** la clavija de conexión a tierra.
- **No utilice** un adaptador ni un alargue.
- **No utilice** un enchufe ni cable de alimentación dañados ni un tomacorriente flojo.
- **No modifique** el enchufe, el cable de alimentación ni el tomacorriente.
- **No coloque** un fusible en el circuito neutral o de conexión a tierra.
- Utilice un disyuntor dedicado de 240 VCA, 60 Hz y 40 A para esta estufa. Se recomienda un fusible de retardo o un disyuntor. No enchufe más de un artefacto en este circuito.
- **No conecte** el cable a tierra a cañerías de tuberías de plástico, de gas o de agua caliente.
- Esta estufa **debe estar conectada a tierra**. Si la estufa funciona incorrectamente o se rompe, la conexión a tierra reduce el riesgo de descarga eléctrica, lo que facilita un camino seguro para la corriente. El cable de alimentación de la estufa tiene un enchufe de conexión a tierra, que debe estar conectado firmemente a un tomacorriente que esté correctamente instalado y conectado a tierra de acuerdo con las regulaciones locales. Si no está seguro de que el tomacorriente esté conectado correctamente a tierra, un electricista matriculado debe verificarlo.
- La estufa incluye un enchufe de conexión a tierra de 4 clavijas. Este cable debe enchufarse a un tomacorriente de acoplamiento de conexión a tierra de 4 clavijas, de acuerdo con todos los códigos y las ordenanzas locales. Si los códigos permiten utilizar un cable de conexión a tierra separado, recomendamos que un electricista calificado determine la vía adecuada para este cable a tierra.
- El servicio técnico eléctrico de la estufa debe cumplir los códigos locales. A excepción de los códigos locales, debe cumplir con la versión más reciente de ANSI/NFPA Nro. 70 (para los EE. UU.) o con el Código Eléctrico de Canadá CSA C22.1 o su versión más reciente.
- El propietario de la estufa debe garantizar que se preste un servicio técnico eléctrico adecuado.

Instrucciones de seguridad importantes

Seguridad de la ubicación

⚠️ ADVERTENCIA

Para reducir el riesgo de incendio, descargas eléctricas, lesiones y muerte, respete estas precauciones.

- Esta estufa es solo para uso interior y doméstico. **No instale** la estufa en el exterior ni en un lugar en el que esté expuesta a las inclemencias del clima, al agua o a corrientes de aire fuertes.
- Elija un piso nivelado y bien construido que pueda aguantar el peso de la estufa. El piso sintético, como el linóleo, debe aguantar temperaturas de 180 °F (82 °C) sin achicarse, deformarse o decolorarse. **No instale** la estufa directamente sobre alfombras de cocina, excepto que coloque una lámina de madera contrachapada de ¼ de pulgada o un aislante similar entre la estufa y la alfombra.
- Para que la estufa se ventile correctamente, asegúrese de que los conductos de ventilación no estén bloqueados y que haya distancia suficiente arriba, atrás, en los costados y debajo de la estufa. Las ventilaciones permiten la salida de aire necesaria para que la estufa funcione adecuadamente con la combustión correcta y se obtengan buenos resultados de cocción. Bloquear o cubrir las ventilaciones puede provocar una combustión incorrecta que podría generar fugas de gas e incendios.
- **Asegúrese** de que los revestimientos de las paredes alrededor de la estufa puedan soportar un calor de hasta 200 °F (93 °C) generado por el artefacto.
- Evite colocar muebles de almacenamiento arriba de la superficie de la estufa. Si necesita muebles de almacenamiento arriba de la estufa, deje una distancia mínima de 30 pulgadas (76.2 cm) entre la superficie de cocción y la base de los muebles, o instale una campana extractora que cubra horizontalmente un mínimo de 5 pulgadas (12.7 cm) la base de los muebles.
- **Coloque** la estufa fuera de los pasos de circulación de la cocina y de lugares de paso de aire para evitar una mala circulación de aire.
- Si coloca la estufa cerca de una ventana, **NUNCA** cuelgue cortinas largas ni persianas de papel en esa ventana. Podrían caer sobre los quemadores superficiales y provocar un incendio.

Seguridad de la placa de cocción

⚠️ ADVERTENCIA

Para reducir el riesgo de incendio, descargas eléctricas, lesiones y muerte, respete estas precauciones:

- **Asegúrese** de apagar todos los quemadores cuando no estén en uso.
- **No utilice** papel de aluminio para cubrir las rejillas ni ninguna pieza de la placa de cocción. Esto puede provocar envenenamiento por monóxido de carbono. El recubrimiento de papel de aluminio puede retener calor y provocar un incendio. **No deje** los quemadores sin supervisión en entornos con niveles de calor medios o altos.
- Antes de encender los quemadores, asegúrese de que todas las tapas estén correctamente instaladas en su lugar y niveladas.
- **Utilice siempre** la posición Lite (Encender) para encender los quemadores y asegúrese de que enciendan. Si falla el encendido, gire la perilla a **Off (Apagado)** y espere hasta que se disipe el gas antes de volver a encender el quemador.
- Cuando coloque un quemador a fuego lento, **no gire** la perilla rápidamente. Asegúrese de que la llama siga viva.
- Para calentar la comida, debe tener una campana de ventilación. Al calentar la comida, la campana debe estar encendida.
- Antes de retirar o cambiar los utensilios de cocina, apague los quemadores.
- Quite la comida y los utensilios de cocina inmediatamente después de cocinar.
- Antes de quitar cualquier pieza del quemador para su limpieza, asegúrese de que la estufa esté apagada y completamente fría.
- Después de limpiar el anillo del quemador y antes de volver a ensamblarlo, asegúrese de que esté completamente seco.
- **Asegúrese** de que la marca de encendido en el anillo del quemador doble esté colocada junto al electrodo al ensamblarlo.
- Para evitar el envenenamiento por monóxido de carbono, **no vierta** agua en la placa de cocción mientras limpia.
- Elija utensilios de cocina diseñados para cocción sobre placa de cocción. Utilice utensilios de cocina recomendados que no sean más grandes que las rejillas de la placa de cocción.
- Para evitar la decoloración, la deformación o el envenenamiento por monóxido de carbono de los utensilios, no utilice utensilios que sean considerablemente más grandes que la rejilla.
- Asegúrese de que los mangos de los utensilios de cocina se ubiquen hacia un lado o hacia atrás de la placa de cocción, pero nunca sobre los quemadores superficiales ni el borde frontal de la placa de cocción.
- No se pare inclinándose directamente sobre una cacerola cuando fría alimentos.

Instrucciones de seguridad importantes

- Para freír, caliente el aceite despacio y supervise la operación. Cuando fría alimentos a alta temperatura, supervise detenidamente el proceso de cocción. Si combinará grasas o aceites para freír, mézclelos antes de calentar.
- Cuando sea posible, utilice un termómetro para freidoras para no calentar el aceite pasando el punto de humeo.
- Utilice una cantidad mínima de aceite cuando fría en una sartén poco profunda o en una freidora. No fría alimentos congelados, helados, fríos ni mojados.
- Antes de mover los utensilios de cocina llenos de aceite o grasa, asegúrese de que se hayan enfriado por completo.
- Para evitar la ebullición eruptiva retrasada, deje que los líquidos calientes permanezcan al menos 20 segundos después de que apague el quemador, de manera que la temperatura del líquido se pueda estabilizar. En caso de quemaduras, siga estas instrucciones de primeros auxilios:
 - Sumerja la zona quemada en agua fría durante al menos 10 minutos.
 - No aplique cremas, aceites ni lociones.
 - Cubra con un paño limpio y seco.
- Coloque las cacerolas en el centro de la rejilla. No coloque una cacerola que tenga un diámetro superior a 9" en los quemadores traseros. Si coloca una cacerola de un tamaño mayor en la posición incorrecta, puede interrumpir la circulación de aire necesaria y hacer que la llama del quemador chisporrotee y queme de manera ineficiente.
- **No use** prendas amplias ni colgantes mientras utiliza la estufa. Pueden encenderse e incendiarse si tocan un quemador superficial.
- **Nunca deje** elementos de plástico sobre la placa de cocción. El aire caliente del conducto de ventilación puede derretir o inflamar los objetos de plástico o causar una acumulación de presión peligrosa en los recipientes de plástico cerrados. El plástico derretido puede obstruir los conductos de ventilación en la parte posterior de la estufa. Los conductos de ventilación obstruidos pueden provocar una combustión incorrecta que podría generar fugas de gas e incendios. Puede sufrir quemaduras graves si toca las superficies cerca del conducto de ventilación mientras el horno está en funcionamiento.
- **No coloque** artefactos portátiles ni ningún otro objeto sobre la placa de cocción que no sean los utensilios de cocina. Podría provocar daños o un incendio si la placa de cocción está caliente.
- **Siempre asegúrese** de que los controles estén en la posición **Off (Apagado)** y que las rejillas estén frías antes de retirarlas para evitar cualquier posibilidad de quemadura.
- **No coloque** ningún material ni elemento combustible alrededor de la estufa.
- No toque los quemadores cuando estén encendidos. Apague los quemadores cuando cambie una sartén o cacerola.

Seguridad del horno

⚠ ADVERTENCIA

Para reducir el riesgo de incendio, descargas eléctricas, lesiones y muerte, respete estas precauciones.

- **No utilice** el horno para fines que no sean de cocina, como secar ropa o almacenar objetos. Utilice el horno solo para cocinar.
- **Asegúrese** de que las parrillas del horno se encuentren al mismo nivel en cada lado.
- **No dañe, retire ni limpie** la junta de la puerta.
- **No rocíe** agua sobre el vidrio del horno mientras este se encuentre encendido ni inmediatamente después de apagarlo.
- Párese a un lado del horno cuando abra la puerta.
- Mantenga el horno libre de acumulaciones de grasa.
- Cuando vuelva a colocar las parrillas del horno, **asegúrese** de que este esté completamente frío.
- **No coloque** objetos plásticos dentro del horno.
- Para evitar dañar las perillas de control del quemador o el control del horno, siempre hornee o ase a la parrilla con la puerta del horno cerrada.
- **No coloque** carnes muy cerca de la parrilla superior. Corte el exceso de grasa antes de asar a la parrilla.
- Cuando cocine o ase bolsas en el horno, siga las instrucciones del fabricante.
- **NUNCA cubra** ranuras, agujeros ni pasajes de la base del horno ni cubra una parrilla entera con materiales como el papel de aluminio. Esto podría bloquear el flujo de aire dentro del horno y provocar envenenamiento por monóxido de carbono. El recubrimiento de papel de aluminio puede retener calor y provocar un incendio.

Instrucciones de seguridad importantes

Seguridad del horno autolimpiante

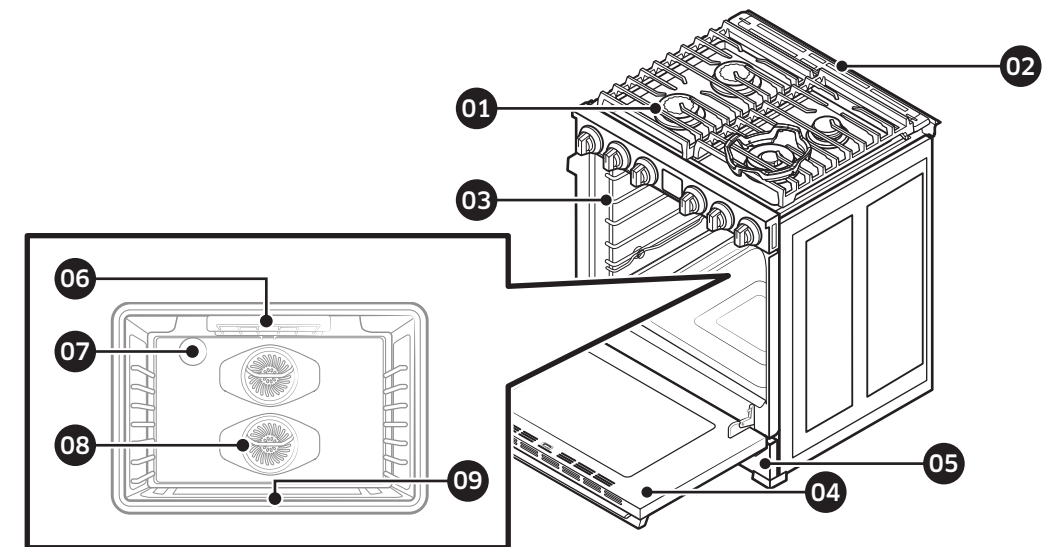
⚠️ ADVERTENCIA

Para reducir el riesgo de incendio, descargas eléctricas, lesiones y muerte, respete estas precauciones.

- La función de autolimpieza opera el horno a temperaturas lo suficientemente altas como para quemar restos de comida dentro del horno. La estufa estará extremadamente caliente durante el ciclo de autolimpieza. **No toque** ninguna superficie de la estufa durante un ciclo de autolimpieza.
- Mantenga a los niños alejados del horno durante los ciclos.
- Antes de comenzar un ciclo de autolimpieza, retire todos los elementos sueltos del horno y limpie todas las superficies del horno.
- Después de un ciclo de autolimpieza, párese a un lado del horno cuando abra la puerta.
- Si el ciclo de autolimpieza no funciona correctamente, apague el horno, apague el disyuntor y comuníquese con un técnico de servicio calificado.
- Algunas aves son extremadamente sensibles a los humos que libera el ciclo de autolimpieza de los hornos. Lleve las aves a otra habitación bien ventilada.

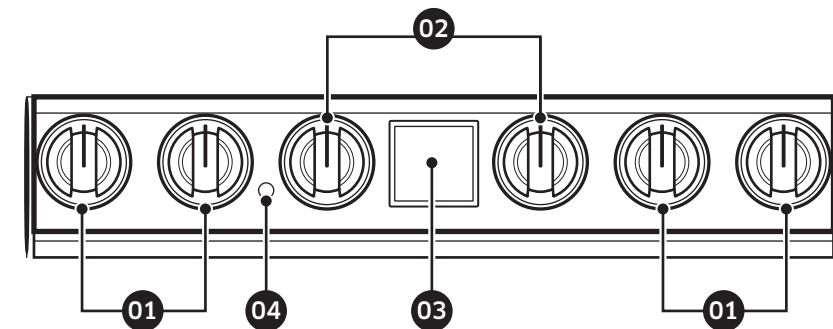
Resumen

Disposición



01 Quemadores superficiales	02 Cubierta del conducto de ventilación del horno
03 Parrillas verticales	04 Puerta del horno desmontable
05 Cajón de almacenamiento	06 Calentador del horno para asar
07 Luz del horno (1 ubicación)	08 Ventilador de convección
09 Calentador del horno para hornear	

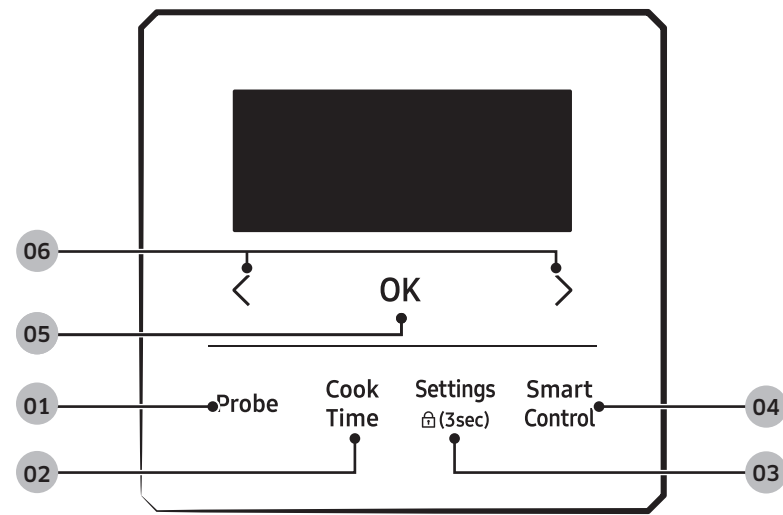
Paneles de control y pantallas



01 Perillas de los quemadores superficiales (4 piezas)	02 Perillas del quemador del horno (modo y temperatura) (2 piezas)
03 Panel de control del horno	04 Botón de la luz del horno

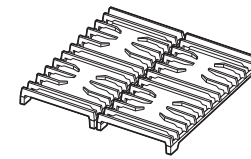
Resumen

Panel de control del horno

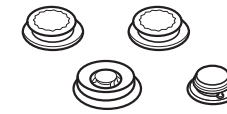


- 01 Probe (Sonda)** : activar el modo de la sonda de temperatura.
- 02 Cook Time (Tiempo de cocción)** : programar el tiempo de cocción.
- 03 Settings (Configuración)** : mostrar las opciones disponibles para el usuario.
- 04 Smart control (Control inteligente)** : establecer la función Smart Control (Control inteligente) en modo **On** (Encendido) u **Off** (Apagado).
- 05 OK (Aceptar)** : iniciar una función o establecer el tiempo.
- 06 < o >** : seleccionar una función o establecer el tiempo.

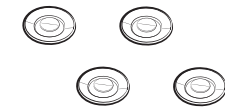
Qué incluye



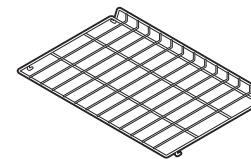
Rejillas (2)



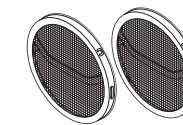
Cabezales de los quemadores (4) y tapas de los quemadores (4)



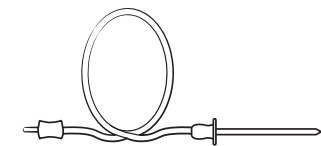
Tapas de latón de quemador (4)



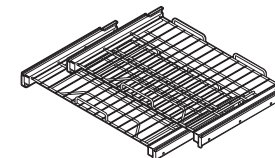
Parrilla plana (1)



Filtros de convección (2)



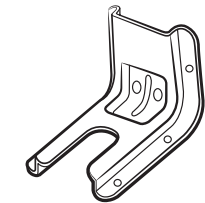
Sonda de temperatura (1)



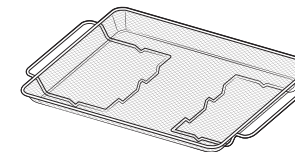
Parrillas deslizantes (2)



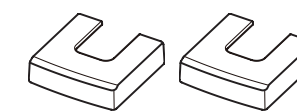
Anillo para wok (1)



Ménsula antiinclinación (1)



Bandeja de la freidora de aire (1)



Cubiertas de las patas frontales (2)

La estufa (algunos modelos) incluye dos tipos diferentes de tapas de quemadores (latón y porcelana) que se ajustan a las preferencias del cliente. Con el uso, el latón pierde el color; esto no afectará a su funcionamiento.

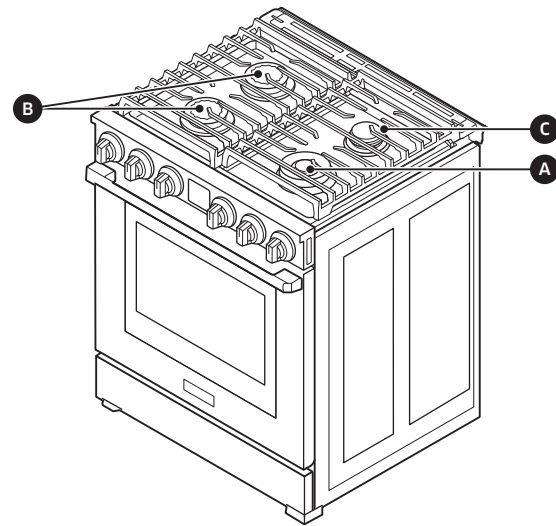
NOTA

- Debe insertar los filtros de convección antes de utilizar el horno.
- La garantía no cubre la decoloración de las tapas de latón de los quemadores.

Uso de la placa de cocción

Quemadores

Hay tres tipos diferentes de quemadores en su estufa. Observe el diagrama de potencia calorífica y la ubicación a continuación. Cada quemador genera una chispa cuando se gira la perilla a la posición de chispa Lite. (No utilice la placa de cocción si no se activa la chispa). Cuando el quemador se enciende, la chispa se detiene automáticamente. Las juntas debajo de los quemadores evitan que se filtren los líquidos derramados hacia las piezas internas de la estufa.

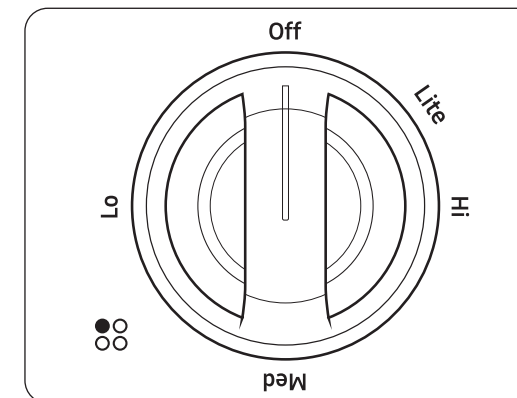


A	Quemador doble de 23,000 BTU
B	Quemador apilado de 16,000 BTU
C	Quemador apilado de 9,500 BTU

Cada quemador está diseñado para un fin específico, que se detalla en la siguiente tabla:

Quemador	Posición	Finalidad	Tipo de alimento
Quemador doble de 23,000 BTU	Delantera derecha (RF)	Potencia calorífica/Cocción a fuego lento	Alimentos para hervir Salsa de tomate
Quemador apilado de 16,000 BTU	Delantera izquierda (LF)	Calentamiento rápido	Alimentos en general, guisos
	Trasero izquierdo (LR)		
Quemador apilado de 9,500 BTU	Trasero derecho (RR)	Cocción a fuego lento	Alimentos delicados que requieren calor bajo durante mucho tiempo

Encendido



NOTA

Cada perilla de control tiene su quemador correspondiente. La ubicación del quemador correspondiente está marcada al lado de la perilla.

Para encender un quemador:

1. Presione la perilla y gírela en el sentido contrario a las agujas del reloj hacia la posición Lite (Encender). El encendedor del quemador chispeará varias veces hasta que encienda. La chispa hace un sonido de clic. El quemador debe encenderse en menos de cuatro segundos. La llama debe quemar de forma pareja alrededor del quemador, excepto por debajo de cada rejilla, donde la altura de la llama se reduce por la función Smart Flame de Dacor. Una llama normal es estable y azul. Los materiales extraños en la línea del gas, especialmente en construcciones nuevas, pueden provocar una llama naranja temporal durante el primer uso. Las pequeñas puntas amarillas de las llamas son normales cuando se usa gas LP. Si un quemador no enciende, el encendedor continuará chispeando o la llama no se esparcirá de forma pareja alrededor de la tapa del quemador. Vea la **Solución de problemas** sección en la página 97.
2. Coloque los utensilios de cocina sobre la rejilla.
3. Ajuste la llama de acuerdo con la tarea de cocción.

NOTA

Apague el quemador si no hay chispas y compruebe que la estufa esté conectada al tomacorriente.

Nunca encienda los quemadores manualmente durante un corte eléctrico.

Uso de la placa de cocción

Sugerencias

- Los alimentos se cocinan tan rápido en una ebullición suave como en una ebullición fuerte. Hierva los alimentos de a poco para conservar la energía, el sabor y los nutrientes.
- Utilice una llama baja o media cuando cocine con utensilios de materiales que no sean muy buenos conductores de calor (vidrio, cerámica o hierro fundido). Ajuste la llama para que cubra 1/3 del diámetro de los utensilios de cocina para garantizar un calor parejo y reducir el riesgo de quemar la comida.

Nivel de la llama

Las llamas de los quemadores siempre deben permanecer debajo de los utensilios de cocina.

Antes de utilizar las perillas de los quemadores...

Para evitar el cambio en el tamaño de las llamas, solo se deben operar las perillas de quemador con el método de pulsar y girar.

Además, el usuario se topará con puntos de detención al girar la perilla. En cada punto de detención, presione y gire la perilla para continuar. La perilla puede girarse solo si el usuario quiere cambiar el tamaño de la llama.

Utensilios de cocina

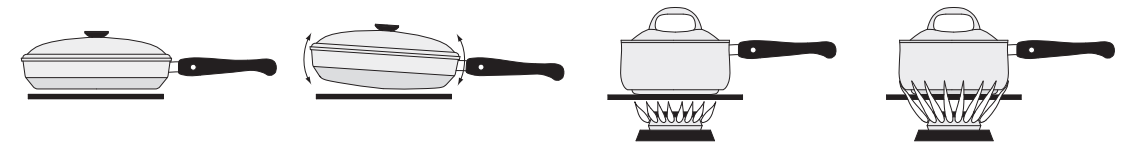
⚠ ADVERTENCIA

- Los utensilios de cocina con base áspera pueden provocar daño permanente en las superficies de las rejillas.
- Para evitar quemaduras, siempre coloque los mangos de las sartenes donde no puedan recibir golpes fácilmente. Los mangos no deben estar sobre quemadores adyacentes ni el borde frontal de la placa de cocción. Siempre apoye los utensilios de cocina suavemente sobre las rejillas y céntrelos para que estén bien balanceados.
- No los arrastre sobre las rejillas. Deslizarlos podría dañar el acabado. Levántelos para cambiar su posición.
- Para evitar quemaduras y el riesgo de incendio, asegúrese de que la llama del quemador permanezca por debajo de los utensilios de cocina.
- Cuando utilice utensilios de vidrio, asegúrese de que estén diseñados para cocinar en placas de cocción.
- Asegúrese de sostener los woks o las cacerolas pequeñas por el mango mientras cocina.

Para la seguridad general y un mejor funcionamiento, elija los utensilios de cocina correctos para los alimentos que está cocinando. De lo contrario, es posible que la cocción sea desapareja o poco eficaz.

Elija utensilios que cumplan con lo siguiente:

- Tengan bases planas y suaves.
- Tengan tapas ajustadas para evitar que salga calor, olor y vapor.
- Estén bien balanceadas y que el mango pese menos que la parte principal de la cacerola o de la sartén.



Recomendado

No recomendado

Recomendado

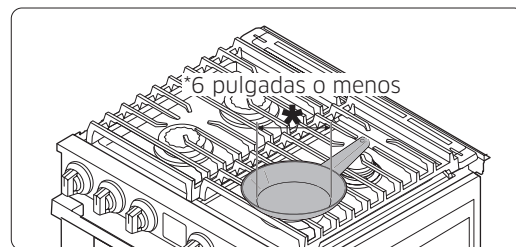
No recomendado

Uso de la placa de cocción

Características de los materiales

- **Aluminio:** un conductor de calor excelente. Algunos tipos de alimento pueden oscurecer el aluminio. Sin embargo, los utensilios de aluminio anodizado resisten las manchas y corrosiones.
- **Bronce:** un conductor de calor excelente, pero se decolora fácilmente.
- **Acero inoxidable:** un conductor de calor lento con un funcionamiento de cocción desperejo, pero es durable y fácil de limpiar y resiste las manchas.
- **Hierro fundido:** un mal conductor de calor, pero que retiene el calor muy bien.
- **Loza:** las características de conducción de calor dependen del material de la base.
- **Vidrio:** un conductor de calor lento. Utilice solo utensilios de cocina de vidrio diseñados específicamente para usarse en placas de cocción o en el horno.

Límites de tamaño



⚠ ADVERTENCIA

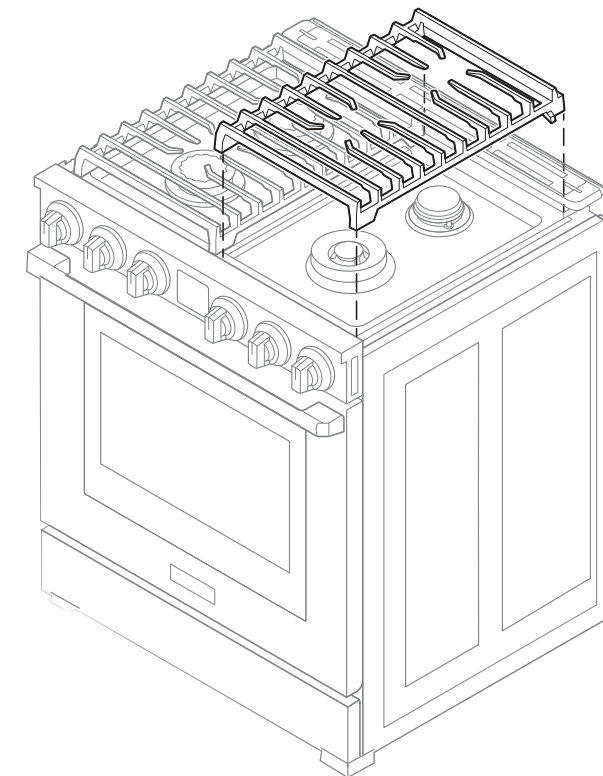
No coloque sartenes ni cacerolas pequeñas con un diámetro base de 6 pulgadas o menos en un quemador grande, ya que un utensilio de este tamaño puede caerse y provocar lesiones. Utilice los quemadores traseros para los utensilios de cocina de tamaño pequeño.

Rejillas

Ubique las rejillas suavemente sobre la bandeja antiderrames. Coloque las patas de cada rejilla en los hoyuelos correspondientes.

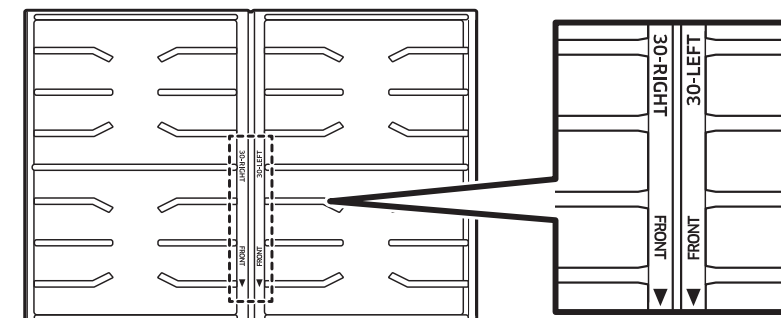
📖 NOTA

Las rejillas son pesadas. Tenga cuidado al manipularlas.



📖 NOTA

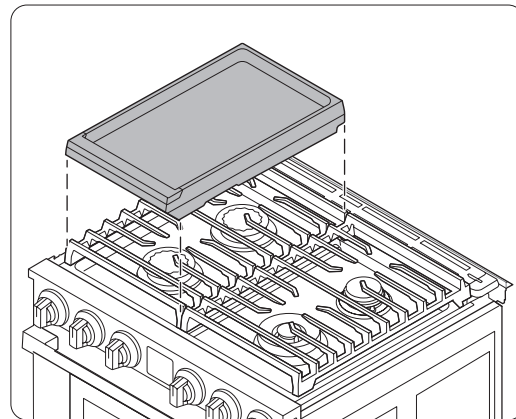
Antes de instalar las rejillas, verifique las palabras debajo de ellas. Las palabras informan donde se ubica el lado delantero y cuál es la posición adecuada de la rejilla: derecha, central o izquierda.



Uso de la placa de cocción

Comal (accesorios de compra adicionales)

- Antes de usar el comal por primera vez, lávelo con agua caliente y jabón. Luego, enjuague y deje que seque bien.
- Para obtener mejores resultados, precaliente el comal durante 5 minutos.
- Ubique el recolector de grasa del comal en la parte trasera de la placa de cocción.



1. Con todos los quemadores apagados y la estufa fría al tacto, ubique el comal y la rejilla a la izquierda de la placa de cocción.
 - Los quemadores especificados son del mismo tamaño, lo que permite una cocción pareja tanto delantera como trasera.
 - Encastre las solapas de la base del pie en las esquinas interiores de la rejilla. Es normal que se produzca un ligero balanceo.
2. Presione y gire las perillas de los quemadores de la izquierda hacia el ajuste de encendido (llama). El quemador se encenderá.

⚠ PRECAUCIÓN

Evite utilizar utensilios de metal sobre la superficie porque pueden rayar el recubrimiento antiadherente.

📄 NOTA

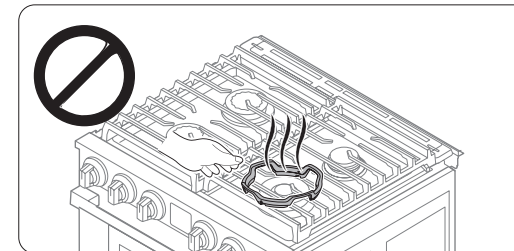
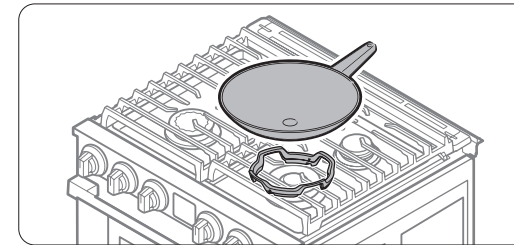
Limpie el comal después de cada uso.

La información sobre el precalentamiento está en la tabla a continuación.

Tipo de alimento	Tiempo de precalentamiento	Ajuste de precalentamiento	Ajuste de cocción
Crepas	3-5 min	Med-Lo (Medio-bajo)	Med-Lo (Medio-bajo)
Hamburguesas	3-5 min	Med-Hi (Medio-alto)	Med-Hi (Medio-alto)
Huevos fritos	3-5 min	Med-Lo (Medio-bajo)	Med-Lo (Medio-bajo)
Tocino	3-5 min	Med (Medio)	Med (Medio)
Salchicha de desayuno	3-5 min	Med (Medio)	Med (Medio)

Anillo para wok

Los woks suelen usarse para fritura de inmersión, fritura en sartén, salteado y escalfado. El anillo para wok incluido es apto para woks de 12" a 14" (30.5 cm a 35.5 cm).



1. Apague todos los quemadores y espere hasta que las rejillas se enfríen por completo.
2. Coloque el anillo para wok en la rejilla sobre el quemador doble de 23 000 BTU.
3. Coloque un wok sobre el anillo para wok. Asegúrese de que el wok se apoye en el anillo para wok.
4. Encienda el quemador y ajuste el nivel de la llama según corresponda.

⚠ PRECAUCIÓN

- No quite el anillo para wok hasta que las rejillas de la placa de cocción, las superficies y el anillo se enfríen por completo.
- No utilice utensilios con un fondo plano o woks con un diámetro inferior al diámetro del anillo para wok. El utensilio puede volcarse.
- No utilice un wok de gran tamaño. Las llamas del quemador podrían esparcirse y causar daños en objetos cercanos.
- No utilice la rejilla para wok y el comal al mismo tiempo.

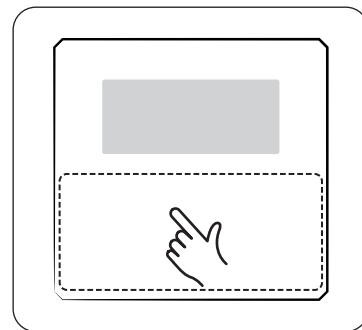
Uso del horno

Configuración básica: reloj y formato de hora

Sleep (Suspensión)

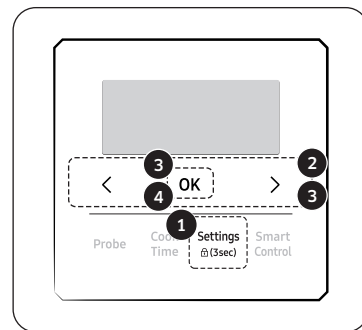
Después de un minuto de inactividad (o un minuto cuando el horno está en modo de espera), Settings (Configuración), Smart Control (Control inteligente), Light Off (Apagado). Después de 5 minutos, la luz del reloj se apaga y el panel de control entra en modo Sleep (Suspensión). En el modo Sleep (Suspensión), el panel de control permanece inactivo hasta que el usuario lo reactiva.

Wake up (Activar)



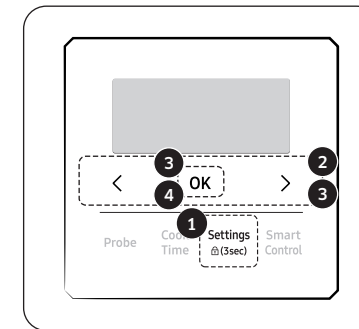
1. Para activar el panel de control, toque el área inferior de la pantalla. Vuelva a tocar el área inferior. Las preferencias de usuario están disponibles en la configuración y en el control inteligente.

Tema del reloj



1. Presione el botón **Settings** (Configuración).
2. Presione < o > para seleccionar Set Time (Establecer la hora).
3. Toque **OK** (Aceptar). Presione < o > para establecer la hora actual y toque **OK (Aceptar)**. Elija la opción AM/PM (a. m./p. m.) y luego seleccione la hora presionando <, >.
4. Toque **OK** (Aceptar) para confirmar la configuración.

Formato de hora

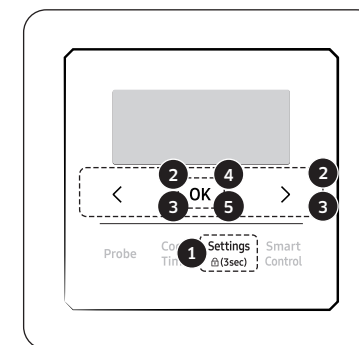


1. Presione el botón **Settings** (Configuración).
2. Presione < o > para seleccionar Time Format (Formato de hora).
3. Toque **OK** (Aceptar) y luego presione < o > para seleccionar el formato 24 h/12 h.
4. Toque **OK** (Aceptar).

Temporizador

El temporizador funciona como temporizador adicional que emite un pitido cuando transcurre el tiempo configurado. No inicia ni detiene las funciones de cocción. Puede utilizar el temporizador con cualquiera de las demás funciones del horno.

Cómo ajustar el temporizador



1. Presione el botón **Settings** (Configuración).
2. Presione < o > para seleccionar el temporizador y toque **OK** (Aceptar).
3. Presione la tecla < o > para ajustar el temporizador de "h". Presione **OK** (Aceptar) para pasar a la configuración "min". (Presione por más tiempo para aumentar o disminuir la hora rápidamente).
4. Toque **OK** (Aceptar).
5. Cuando se cumple el tiempo establecido, el horno emite un pitido y muestra el mensaje "Time is up" (Fin). Toque el botón **OK** (Aceptar) para borrar el mensaje.

Uso del horno

Cocción cronometrada

En el modo Timed cooking (Cocción cronometrada), el horno se enciende inmediatamente y cocina durante el tiempo seleccionado.

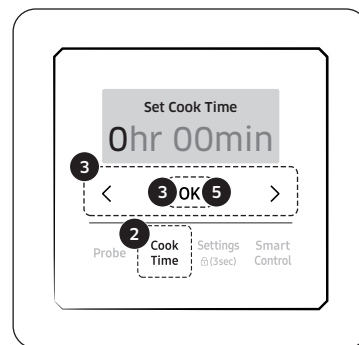
Al final de este tiempo de cocción, el horno se apaga automáticamente.

- Puede usar la función de cocción cronometrada solo con otra operación de cocción. (Bake [Hornear], Convection Bake [Hornear por convección] (Pure), Convection Roast [Asar por convección] (Pure), Air Fry [Freír con aire], Proof [Leudar], modo Stone Bake [Hornear a la piedra], Air Sous Vide [Cocinar al vacío], Dehydrate [Deshidratar]).

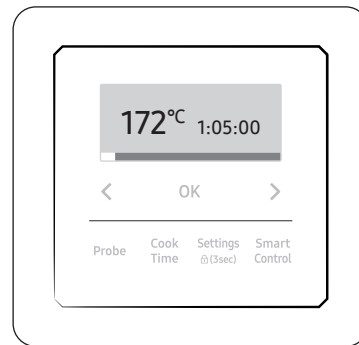
NOTA

Los modos disponibles para cada horno se pueden encontrar en la página 35.

Cómo configurar el horno para una cocción cronometrada



1. Seleccione el modo de cocción deseado.
2. Presione el botón **Cook Time** (Tiempo de cocción).
3. Presione la tecla < > para ajustar el tiempo de cocción en "h". Presione **OK** (Aceptar) para pasar a la configuración "min". (Presione por más tiempo para aumentar o disminuir la hora rápidamente).
4. Puede configurar el tiempo de cocción para cualquier cantidad de tiempo, desde 1 minuto hasta 9 horas y 59 minutos. (Solo el modo Air Sous Vide [Cocinar al vacío] está disponible para 99 horas y 59 minutos).
5. Presione **OK** (Aceptar).



6. El tiempo de cocción se muestra en el área Cook Time (Tiempo de cocción) de la pantalla.

NOTA

Puede cancelar el tiempo de cocción en cualquier momento programando el tiempo de cocción en 0 minutos.

PRECAUCIÓN

Tenga cuidado con las funciones de cocción cronometrada. Puede utilizar estas funciones para cocinar carnes curadas o congeladas y la mayoría de las frutas y las verduras.

Los alimentos que se pueden echar a perder fácilmente (leche, huevos y pescado descongelado o fresco, o carne roja o de ave) primero deben enfriarse en el refrigerador.

Incluso estando fríos, no deben permanecer en el horno durante más de una hora antes de que comience la cocción, y se deben retirar de inmediato cuando finalice la cocción.

La ingesta de alimentos en mal estado puede provocar náuseas por intoxicación.

Funciones del horno

Horno	Funciones del horno
Horno básico	Bake (Hornear), Convection Bake (Hornear por convección) (Pure), Convection Roast (Asar por convección) (Pure), Broil (Asar a la parrilla), Air Fry (Freír con aire), Stone Bake Mode (Hornear a la piedra), Keep Warm (Mantener caliente), Clean (Limpieza), Special Function (Función especial).

Modo de cocción

Seleccione el modo de cocción deseado. Establezca la temperatura deseada.

Consulte **Instrucciones básicas de funcionamiento** en la página 38.

Modo	Rango de temperatura	Sonda de temperatura
Bake (Hornear)	Lo (Bajo): 550 °F (285 °C)	✓
Convection Bake (Hornear por convección) (Pure)	Lo (Bajo): 550 °F (285 °C)	✓
Convection Roast (Asar por convección) (Pure)	Lo (Bajo): 550 °F (285 °C)	✓
Broil (Asar a la parrilla)	Lo/Med/Hi (Bajo/Medio/Alto)	✗
Air Fry (Freír con aire)	350 °F (175 °C)-500 °F (260 °C)	✗
Modo Stone Bake (Hornear a la piedra)	350 °F (175 °C)-500 °F (260 °C)	✗
Keep Warm (Mantener caliente)	175 °F (80 °C)	✗

✓ = Disponible/✗ = No disponible

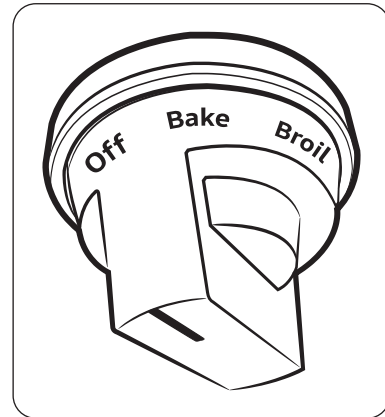
Uso del horno

Modo	Instrucciones
Bake (Hornear)	<ul style="list-style-type: none"> El modo Bake (Hornear) se usa para hornear pasteles, galletas y guisos. Siempre precaliente el horno. La temperatura y el tiempo de horneado varían según los ingredientes, y el tamaño y la forma de la bandeja de hornear utilizada. Los recubrimientos oscuros y antiadherentes cocinan los alimentos más rápidos y los doran más.
Convection Bake (Hornear por convección) (Pure)	<ul style="list-style-type: none"> Convection Bake (Hornear por convección) (Pure) utiliza un ventilador para hacer circular el calor del horno de manera pareja y continua dentro del horno. Esta distribución mejorada del calor permite una cocción pareja y resultados excelentes cuando se utilizan múltiples parrillas. Proporciona el mejor funcionamiento para galletas, bizcochos, brownies, cupcakes, profiteroles, panecillos dulces, pasteles de ángel y panes. Al hornear por convección con una parrilla, coloque la parrilla en el nivel 3 o 5. Al hornear por convección con dos rejillas, colóquelas en los niveles 3 y 5 para cocinar pasteles y galletas. La temperatura del horno se debe reducir manualmente a 25 °F cuando se utilice el modo Convection Bake (Hornear por convección) (Pure). En este modo, se aplica la convección pura de 4 piezas.
Convection Roast (Asar por convección) (Pure)	<ul style="list-style-type: none"> El modo Convection Roast (Asar por convección) (Pure) es adecuado para cocinar cortes grandes de carne tierna sin cubrirlos. El ventilador de convección hace circular el aire caliente de manera pareja sobre la comida y alrededor de ella. Las carnes rojas y de ave se doran en todos sus lados, como si se cocinaran en una rosticería. El aire caliente sella los jugos rápidamente para obtener resultados húmedos y tiernos, creando un exterior rico y dorado. En este modo, se aplica la convección pura de 4 piezas.

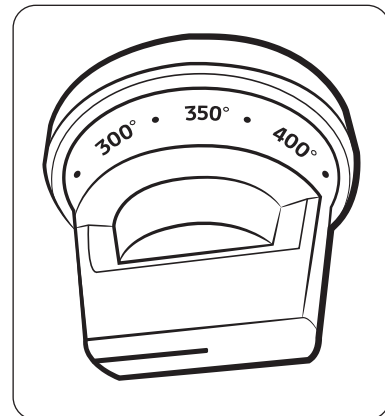
Modo	Instrucciones
Broil (Asar a la parrilla)	<ul style="list-style-type: none"> El modo Asar a la parrilla cocina cortes de carne tierna con calor directo debajo del elemento de asar del horno. El calor alto cocina rápidamente y genera un exterior rico y dorado. Este modo es el ideal para cortes de carne roja, pescado y carne de ave de hasta una pulgada de grosor. Siempre precaliente el horno durante 5 minutos antes de asar a la parrilla. Consulte la sección Guía para asar a la parrilla que comienza en la página 45.
Air Fry (Freír con aire)	<ul style="list-style-type: none"> Esta función utiliza aire caliente para conseguir alimentos frescos o congelados más crocantes y saludables sin el uso de aceite o con menos cantidad que la usada en el modo de convección normal. Para obtener mejores resultados, utilice este modo en el modo de horno simple y coloque la bandeja de la freidora de aire en la posición 3. No es necesario precalentar el horno en este modo. La temperatura puede ser de 350 °F-500 °F.
Modo Stone Bake (Hornear a la piedra)	<ul style="list-style-type: none"> Se necesita el accesorio de la piedra. Hornee pizzas y panes sobre una piedra de horneado o para pizza. Siempre precaliente el horno cuando utilice la piedra para obtener mejores resultados. El precalentado puede tardar entre 20 y 30 minutos. Cuando suene el pitido, coloque la pizza o el pan en la parrilla en la posición 2 o 3.
Keep Warm (Mantener caliente)	<ul style="list-style-type: none"> El modo Keep Warm (Mantener caliente) mantendrá caliente la comida cocida hasta servirla durante hasta 3 horas después de finalizada la cocción. Puede usar este modo sin ninguna otra función de cocción, o puede configurarlo para que se active después de una función de cocción cronometrada o con retraso. No debe usar este modo para recalentar alimentos fríos.

Uso del horno

Instrucciones básicas de funcionamiento



1. Seleccione el modo de cocción deseado.



2. Establezca la temperatura deseada.
- El modo Broil (Asar a la parrilla) puede configurarse solo en Hi (Alto), Med (Medio) o Lo (Bajo).
 - Las temperaturas del modo Keep Warm (Mantener caliente) no se pueden modificar.

⚠ PRECAUCIÓN

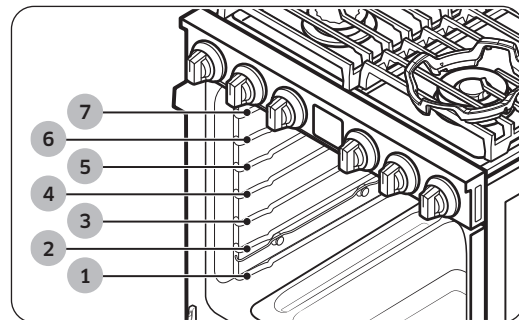
- Coloque los alimentos en el horno después de precalentarlo, si así lo requiere la receta. El precalentamiento es muy importante para lograr buenos resultados cuando se hornean tortas, pasteles, galletas, masas y panes. Cuando el horno haya alcanzado la temperatura deseada, emitirá una señal sonora.
- El ventilador del horno de convección se apaga cuando se abre la puerta del horno.
- NO deje la puerta abierta por mucho tiempo mientras utilice la cocción por convección porque puede acortarse la vida útil del elemento de calentamiento por convección.

📄 NOTA

- Si deja la puerta del horno abierta durante más de 20 segundos cuando el horno se encuentre encendido, todos los elementos de calentamiento se apagará automáticamente.
- Cuando termine de cocinar, el ventilador de refrigeración seguirá funcionando hasta que el horno se enfríe.
- Si está utilizando un termómetro en la cavidad del horno, la temperatura registrada puede ser diferente de la temperatura establecida.
- Por motivos de funcionamiento, el ventilador de convección puede encenderse o apagarse mientras el horno está cocinando.
- Este horno está diseñado para asar a la parrilla con la PUERTA CERRADA. La puerta del horno debe estar cerrada al usar este modo.

Uso del horno

Uso de las parrillas del horno



Posiciones recomendadas de las parrillas para cocinar

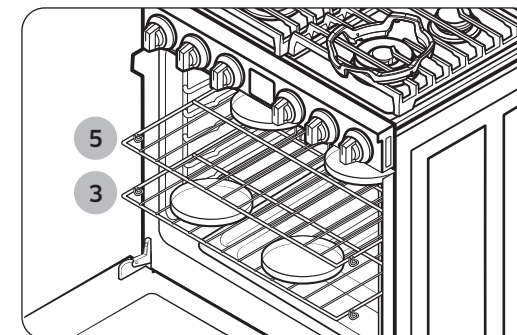
Tipo de alimento	Posición de la parrilla
Hamburguesas asadas	7
Carnes rojas asadas o cortes pequeños de carne de ave y pescado	4-6
Pasteles Bundt, pasteles en molde savarín, tartas congeladas y guisos	3-4
Pizza fresca, pasteles de ángel y carnes asadas de pequeño tamaño	2
Pavo, carnes asadas de gran tamaño y jamones	1

- Esta tabla se incluye solo a modo de referencia.

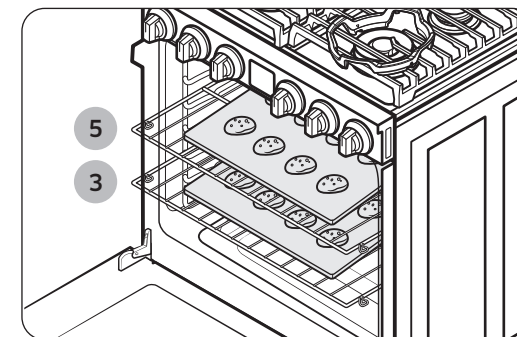
⚠ PRECAUCIÓN

- No cubra las parrillas del horno con papel de aluminio. Esto bloqueará la circulación del calor e impedirá una buena cocción.
- No coloque papel de aluminio sobre la base del horno. El aluminio puede derretirse y dañar el horno.
- Cambie de lugar las parrillas del horno solo cuando este esté frío.
- Cuando coloque las parrillas del horno en la posición más alta (posición 7), asegúrese de que la parrilla esté estable sobre los topes en relieve.

Horneado con múltiples parrillas



Posición de moldes de pastel

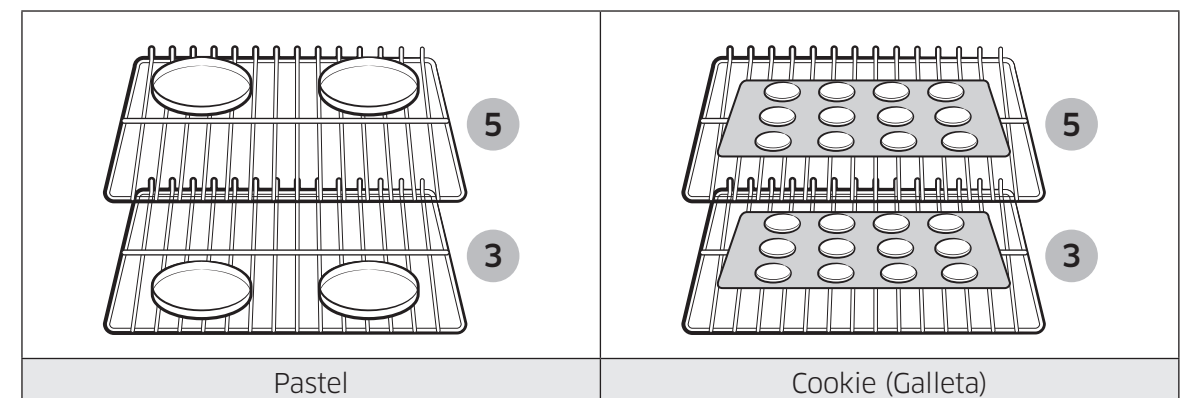


Posición de placas de galletas

- Al hornear pasteles o galletas con dos parrillas, colóquelas en los niveles 3 y 5.
- Para usar 4 moldes para hornear en dos parrillas: Coloque dos moldes en la parte posterior de la parrilla superior y los otros dos en el frente de la parrilla inferior.
- Al hornear varios alimentos en una parrilla, mantenga un espacio de 1" a 1.5" (2.5 cm a 3.8 cm) entre estos.
- Cuando utilice una parrilla deslizante, colóquela debajo de la parrilla plana.

Uso de múltiples rejillas del horno

Tipo de horneado	Posiciones de las parrillas
Pasteles	3 y 5
Galletas	3 y 5



Pastel

Cookie (Galleta)

Uso del horno

Antes de usar las parrillas

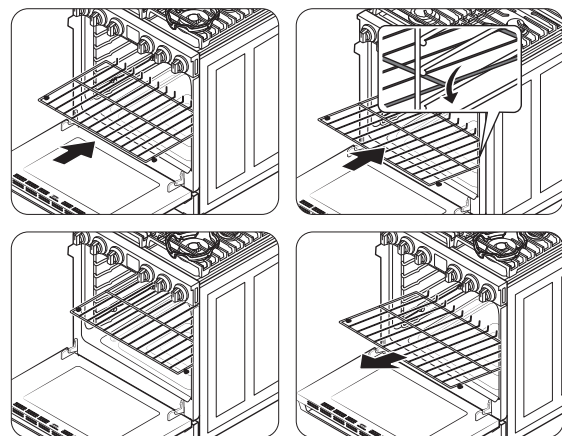
Cada parrilla tiene topes que se deben colocar adecuadamente en los soportes. Estos topes evitan que la parrilla se salga completamente.

Retiro de las parrillas

1. Tire de la parrilla en línea recta hasta que se trabé.
2. Levante la parte frontal de la parrilla y retírela.

Colocación de las parrillas

1. Coloque el borde de la parrilla sobre el soporte.
2. Inclíne hacia arriba el borde frontal y empuje la parrilla hacia adentro.



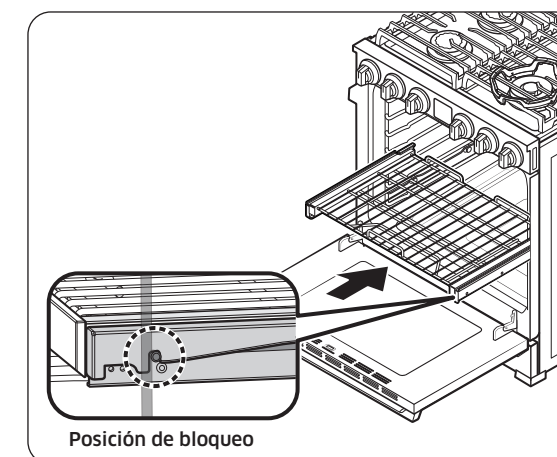
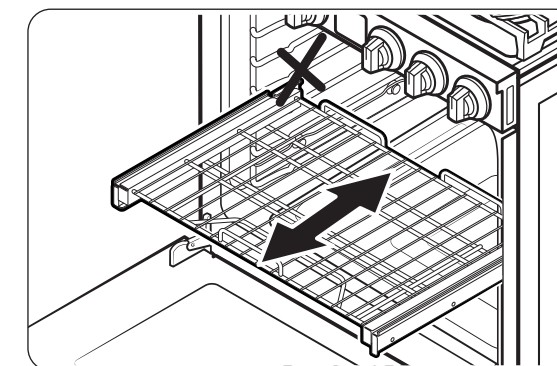
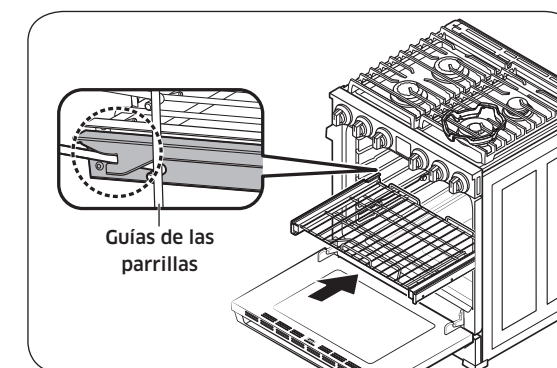
⚠ PRECAUCIÓN

- No cubra las parrillas con papel de aluminio ni coloque papel de aluminio sobre la base del horno. Esto afectará la circulación del calor y provocará una mala cocción, y podría dañar la base del horno.
- Cambie de lugar las parrillas del horno solo cuando este esté frío.

Uso de la parrilla deslizante

La parrilla deslizante totalmente extensible facilita la preparación de alimentos, en particular cuando se preparan platos pesados. La parrilla deslizante tiene 2 carriles de deslizamiento que le permiten extenderla por fuera del horno sin tocar los costados de las paredes del horno.

Instalación de la parrilla deslizante



- Con la parrilla deslizante en la posición cerrada y el horno apagado, inserte cuidadosamente la parrilla deslizante entre las guías hasta que la parrilla toque el fondo. Mire la imagen de abajo a la izquierda para ver la posición cerrada.

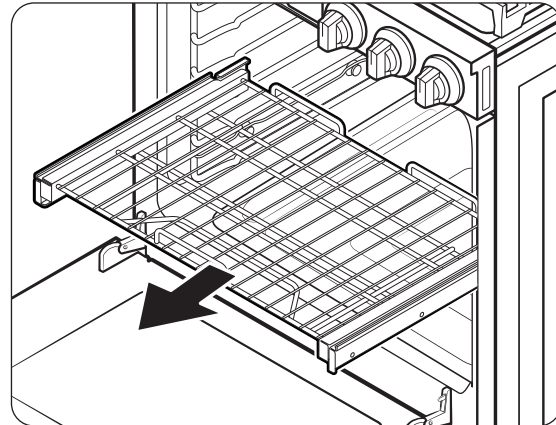
- Siempre sujete la parrilla deslizante por el mango en el centro frontal. Tirar de la parrilla por el marco puede hacer que se suelte y provocar derrames y posibles lesiones personales.

📖 NOTA

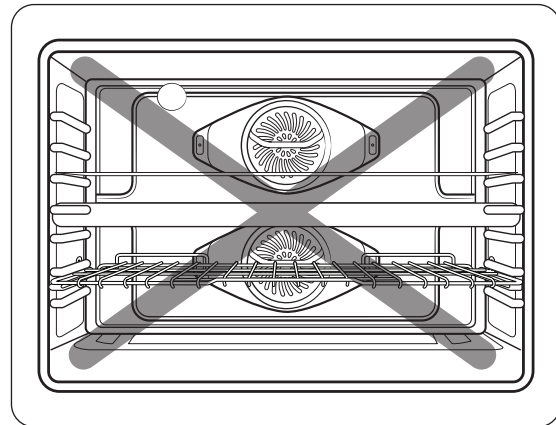
Asegúrese de bloquear la parrilla deslizante sobre el soporte de la parrilla. De lo contrario, la parrilla puede soltarse y provocar lesiones personales.

Uso del horno

Retiro de la parrilla deslizable



- Con la parrilla deslizable en la posición cerrada y el horno apagado y frío, sujete la parrilla y el marco, y tire hacia adelante para retirarla.



⚠ PRECAUCIÓN

- No intente colocar la parrilla deslizable un nivel por encima de la parrilla de alambre.
- No podrá instalarla correctamente y la parrilla podría caerse.
- Mantenga al menos un nivel de parrilla libre entre la parrilla deslizable y la parrilla plana.

📄 NOTA

Puede colocar la parrilla deslizable en cualquier nivel, excepto el más bajo (Nivel 1).

Guía para asar a la parrilla

📄 NOTA

- Esto se incluye solo a modo de referencia.
- Se recomienda precalentar el horno durante 5 minutos antes de asar a la parrilla.
- El tamaño, el peso, el grosor, la temperatura inicial y su preferencia del punto de cocción afectarán los tiempos de cocción.
- Esta guía se basa en carnes a temperatura refrigerada.

Alimento	Punto de cocción	Tamaño	Grosor	Configuración para asar	Posición de la parrilla	Tiempo de cocción	
						1.º lado	2.º lado
Hamburguesas	Cocido	9 hamburguesas	1"	Hi (Alto)	7	3:20-3:40	2:20-2:40
Filete de res	Cocido	-	1"	Hi (Alto)	5	7:00-8:00	6:00-7:00
	Cocido	-	3/4"	Hi (Alto)	5	6:00-7:00	5:00-6:00
Presas de pollo	Bien cocido	2-2 1/2 lb	3/4"-1"	Hi (Alto)	4	15:00-16:00	13:00-14:00
Chuletas de cerdo	Bien cocido	1 lb	1/2"	Lo (Bajo)	5	15:00-16:00	13:00-14:00
Chuletas de cordero	Bien cocido	1 lb	3/4"-1"	Hi (Alto)	5	5:00-6:00	4:00-5:00
Filete de salmón	Bien cocido	3 piezas	3/4"-1"	Hi (Alto)	5	4:00-7:00	3:00-6:00

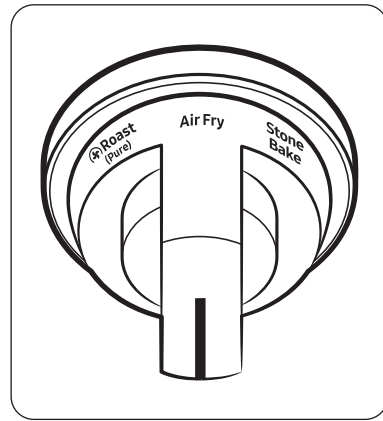
⚠ PRECAUCIÓN

Asegúrese de cerrar la puerta después de dar vuelta la comida.

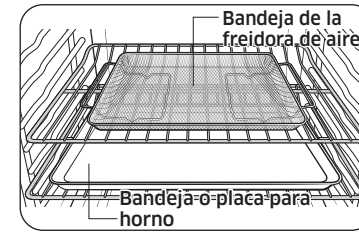
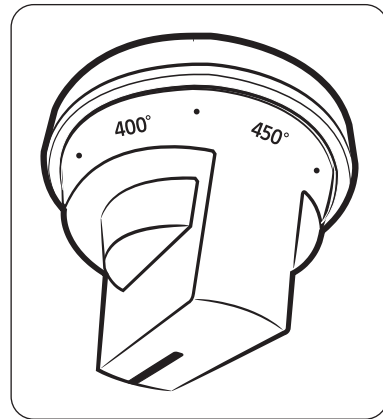
Uso del horno

Modo Air Fry (Freír con aire)

Esta función utiliza aire caliente para conseguir alimentos frescos o congelados más crocantes y saludables sin el uso de aceite o con menos cantidad que la usada en los modos de convección normal. Para obtener mejores resultados, utilice este modo en el modo de horno individual y coloque la bandeja Freír con aire en la posición 3. La temperatura se puede establecer entre 350 °F y 500 °F. No es necesario precalentar el horno en este modo. Siga la receta o las instrucciones del paquete para establecer la temperatura, el tiempo o la cantidad.



1. Coloque la bandeja de la freidora de aire en la posición 3 y coloque una placa o bandeja para horno en la posición 2 o 1.
2. Gire la perilla para seleccionar el modo de **Off** (Apagado) a la posición **Air Fry** (Freír con aire) y luego gire la perilla para seleccionar la temperatura para configurarla. Puede establecer la temperatura desde 350 °F (175 °C) hasta 500 °F (260 °C).
3. Cuando finalice la cocción, gire ambas perillas a la posición **Off** (Apagado).



Colocación recomendada de la bandeja de la freidora de aire

NOTA

- Coloque una placa o bandeja para horno sobre la parrilla, debajo de la bandeja de la freidora de aire para atrapar la grasa. Esto contribuirá a reducir las salpicaduras y el humo en alimentos con alto contenido graso, como las alitas de pollo.
- Este modo está diseñado para hornear en una sola parrilla del horno. Coloque la comida en la posición 3 de la parrilla para obtener mejores resultados.

- Antes de usar un utensilio de horneado, compruebe la temperatura máxima permitida por la placa para horno.
- Coloque la placa para horno bajo algunas hojas de papel, como papel manteca, para absorber la grasa y reducir las salpicaduras y el humo durante el uso de la freidora de aire.
- Para cocinar comidas frescas o caseras, esparza aceite de manera uniforme por un área amplia para que el producto final sea más crocante.
- Los recubrimientos húmedos o gruesos no tendrán una consistencia crocante ni se cocinarán eficazmente con la freidora de aire.

PRECAUCIÓN

- Las comidas de alto contenido graso (como alitas de pollo, tocino, salchichas y muslos de pavo) se ahumarán cuando se utiliza el modelo de freidora de aire.
- Antes de iniciar la freidora de aire, encienda una campana de extracción de aire en el nivel de ventilación alto.
- Si es posible, abra una ventana de la cocina para garantizar una buena ventilación.
- Cuando el horno esté frío, limpie el interior del horno antes y después de usar la freidora de aire.
- Limpie con regularidad los filtros de grasa de la campana de extracción de aire para evitar el humo al cocinar.
- No abra la puerta del horno, ya que de ese modo será difícil mantener la temperatura del horno, evitar la pérdida de calor y ahorrar energía.

Uso del horno

Guía para el modo Air Fry (Freír con aire)

NOTA

- No es necesario precalentar el horno.
- Coloque la bandeja de la freidora de aire en la posición 3.
- Se recomienda usar aceite de aguacate.
- Coloque una placa o bandeja para horno sobre la parrilla, debajo de la bandeja de la freidora de aire para atrapar la grasa. Esto ayudará a reducir las salpicaduras y el humo para las comidas de alto contenido graso, como las alitas de pollo.

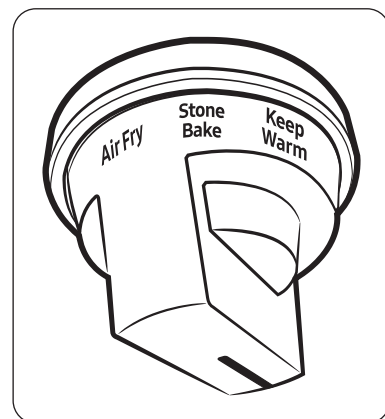
Comida	Cantidad	Temperatura	Tiempo	Sugerencias
Papas				
Papas bastón congeladas	30-35 oz	425 °F-450 °F	25-30 min	-
Papas bastón congeladas y condimentadas	25-30 oz	425 °F-450 °F	20-25 min	-
Bastones de papa congelados	40-45 oz	450 °F	20-25 min	-
Papa rallada congelada	25-30 oz	450 °F	20-25 min	-
Papas españolas congeladas	30-35 oz	425 °F-450 °F	20-25 min	-
Papas bastón caseras	25-30 oz	425 °F	25-30 min	Pele las papas y córtelas en bastones con un grosor de 1/3 de pulgada. Sumérgalas en agua fría durante 30 minutos. Úntelas con 3 cucharadas de aceite. Sazone a gusto con sal y pimienta.
Papas españolas caseras	25-30 oz	450 °F	25-30 min	Córtelas en trozos. Úntelas con 3 cucharadas de aceite. Sazone a gusto con sal y pimienta.
Congelados				
Bastones de pollo congelados	24-28 oz	400 °F-425 °F	15-25 min	-
Alas de pollo congeladas	30-35 oz	425 °F	20-30 min	-
Aros de cebolla congelados	20-25 oz	425 °F	15-20 min	-

Comida	Cantidad	Temperatura	Tiempo	Sugerencias
Bastones de pescado congelados	20-25 oz	425 °F	18-22 min	-
Tiras de pollo congeladas	25-30 oz	425 °F-450 °F	20-30 min	-
Churros congelados	20-25 oz	425 °F	18-22 min	-
Pollo				
Patas frescas	35-45 oz	425 °F-450 °F	30-35 min	Úntelas con 3 cucharadas de aceite. Sazone a gusto con sal y pimienta. Los alimentos con alto contenido graso pueden generar humo en la freidora de aire.
Alas de pollo frescas	30-35 oz	425 °F-450 °F	25-30 min	
Pechugas de pollo rebozadas	30-35 oz	400 °F-425 °F	25-30 min	Pase las pechugas de pollo por la mezcla de harina. Bata los huevos y la leche. Pase las pechugas de pollo enharinados por la mezcla de huevo. Páselas por pan rallado y mezcle hasta que queden recubiertas de pan rallado. Sazone a gusto con sal y pimienta. Úntelas con 3 cucharadas de aceite.
Verduras				
Espárragos rebozados	15-20 oz	425 °F	20-25 min	Pase las verduras cortadas por la mezcla de harina. Bata los huevos y la leche. Pase las verduras cortadas enharinadas por la mezcla de huevo. Páselas por pan rallado y mezcle hasta que queden recubiertas de pan rallado. Sazone a gusto con sal y pimienta. Úntelas con 3 cucharadas de aceite.
Berenjenas rebozadas	20-25 oz	425 °F	20-25 min	
Hongos rebozados	18-22 oz	425 °F	20-25 min	
Cebollas rebozadas	18-22 oz	425 °F	20-25 min	
Coliflor rebozada	30-35 oz	400 °F-425 °F	20-25 min	
Mezcla de verduras rebozadas	30-35 oz	400 °F-425 °F	20-25 min	

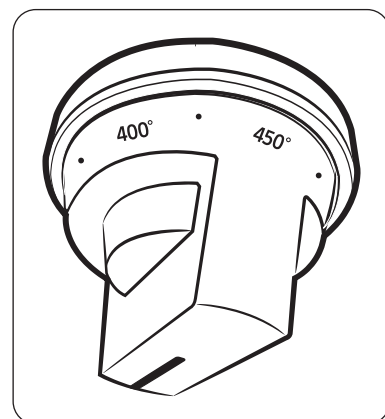
Uso del horno

Modo Stone Bake (Hornear a la piedra)

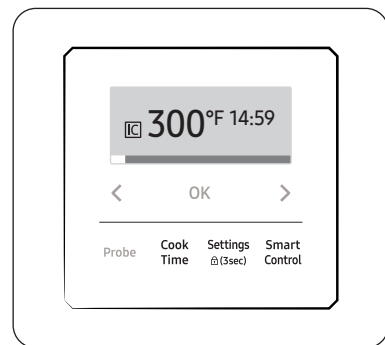
Esta función hornea pizzas y panes sobre una piedra de horneado o para pizza. Se necesita el accesorio de la piedra. Siempre precaliente el horno cuando utilice la piedra para obtener mejores resultados. El precalentado puede tardar entre 20 y 30 minutos. Cuando suene el pitido, coloque la pizza o el pan en la parrilla en la posición 2 o 3.



1. Gire la perilla para seleccionar el modo de la posición **Off** (Apagado) a **Stone Bake** (Hornear a la piedra) y luego gire la perilla para seleccionar la temperatura desde la posición **Off** (Apagado) para configurarla. Puede establecerla desde 350 °F (175 °C) hasta 500 °F (260 °C).



2. Deje que el horno precaliente. El indicador de temperatura comenzará a variar una vez que la temperatura del horno alcance los 150 °F.

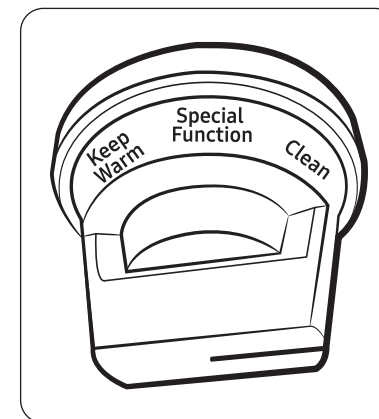


3. Cuando finalice el precalentado, solo el modelo a gas necesita 15 minutos más para calentar la piedra. (* Si la piedra ya está caliente, omita este paso).
4. Coloque la comida en la parrilla deseada. Cierre la puerta del horno.
5. Cuando finalice la cocción, gire ambas perillas a la posición **Off** (Apagado).

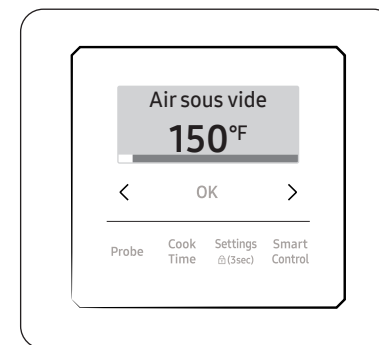
NOTA

IC: temporizador de la piedra

Uso de la función especial



1. Coloque la perilla de temperatura en la posición **Off** (Apagado).
2. Gire la perilla para seleccionar el modo de **Off** (Apagado) a la posición **SPECIAL FUNCTION** (Función especial).



3. Busque en el menú de cocción el modo que desea con las teclas < o > y toque **OK** (Aceptar).

La función especial ofrece 3 opciones diferentes de cocción especializada.

Modo	Rango de temperatura
Proof (Leudar)	95 °F (35 °C)
Air Sous Vide (Cocinar al vacío)	100 °F (40 °C)-205 °F (95 °C)
Dehydrate (Deshidratar)	150 °F (65 °C)

** Se aplica la temperatura establecida de fábrica para un mejor funcionamiento. No se puede modificar esta temperatura.

NOTA

Puede ajustar en unidades de 1 °F tocando la tecla < o > en el modo Air Sous Vide (Cocinar al vacío).

(Presione por más tiempo la tecla < o > para reducir o aumentar rápidamente las cifras a velocidad constante).

Uso del horno

Modo	Instrucciones
Proof (Leudar)	<ul style="list-style-type: none"> Este modo proporciona la temperatura ideal para el proceso de leudado de panes (95 °F). Para obtener el mejor resultado, inicie la opción Leudar con el horno frío. El modo Proof (Leudar) funciona correctamente solo si la temperatura del horno es inferior a 125 °F. La temperatura de leudado no es lo suficientemente alta como para calentar alimentos. Coloque la masa en un recipiente apto para horno en la posición de parrilla 2 o 3 y cúbralo con un paño o un envoltorio plástico. Es posible que necesite ajustar el envoltorio plástico debajo del recipiente para que el ventilador del horno no lo haga volar. Para evitar bajar la temperatura y tener que extender el tiempo de leudado, no abra la puerta del horno.
Air Sous Vide (Cocinar al vacío)	<ul style="list-style-type: none"> Este modo utiliza aire caliente de baja temperatura para implementar el modo Sous Vide (Cocinar al vacío) sin vapor ni un tanque de agua. En este modo, el horno mantiene una temperatura baja constante dentro de la cámara de cocción y cocina la comida para mantener su aroma y nutrientes originales, ofreciendo un sabor enriquecido y una textura suave. Puede ajustar en unidades de 1 °F tocando la tecla < o > en el modo Air Sous Vide (Cocinar al vacío). (Presione por más tiempo la tecla < o > para reducir o aumentar rápidamente las cifras a velocidad constante).
Dehydrate (Deshidratar)	<ul style="list-style-type: none"> Este modo seca los alimentos o les quita la humedad mediante la circulación de calor. Después de secar los alimentos, consérvelos en un lugar fresco y seco. En el caso de frutas, agregar jugo de limón o de piña o espolvorear azúcar sobre las frutas ayuda a que retengan su dulzura.

NOTA

Precalear el horno no es necesario en la función especial.

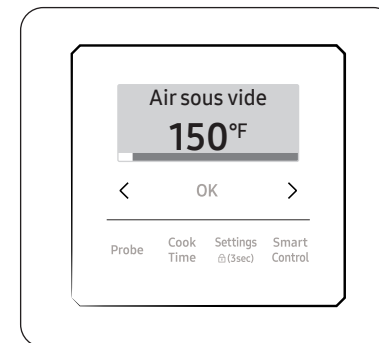
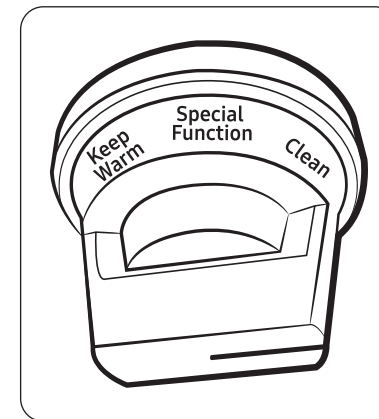
Tabla de posiciones de la parrilla para las opciones de cocción especial

Modo	Posición de la parrilla
Proof (Leudar)	2 o 3
Air Sous Vide (Cocinar al vacío)	3 o 4
Dehydrate (Deshidratar)	2 o 3

Para conocer algunas de las funciones comunes, consulte la página **Uso del horno**.

Modo Air Sous Vide (Cocinar al vacío)

Este modo utiliza aire caliente de baja temperatura para implementar el modo Sous Vide (Cocinar al vacío) sin vapor ni un tanque de agua. En este modo, el horno mantiene una temperatura baja constante y cocina la comida para mantener su aroma y nutrientes originales, ofreciendo un sabor enriquecido y una textura suave.



1. Coloque las bolsas de alimentos cerradas al vacío en la parrilla en la posición 3 o 4 y cierre la puerta del horno.
2. Coloque la perilla de temperatura en la posición **Off** (Apagado).
3. Gire la perilla para seleccionar el modo de **Off** (Apagado) a la posición **SPECIAL FUNCTION** (Función especial).
4. Busque el modo Air Sous Vide (Cocinar al vacío) con las teclas < o > y toque **OK** (Aceptar).
5. Ajuste en unidades de 1 °F tocando la tecla < o > y toque **OK** (Aceptar). (Presione por más tiempo la tecla < o > para reducir o aumentar rápidamente las cifras a velocidad constante).

NOTA

Para la configuración de cocción cronometrada, consulte la sección **Cocción cronometrada** en la página **34**.

Uso del horno



NOTA

- No es necesario precalentar el horno al usar el modo Air Sous Vide (Cocinar al vacío).
- Coloque las bolsas de alimentos cerradas al vacío en la parrilla en la posición 3 o 4 del horno.
- Utilice este modo para cocinar carnes rojas o de ave, pescado, mariscos o verduras.
- Utilice únicamente ingredientes frescos y de calidad. Córtelos prolijamente y almacénelos en la nevera.
- Utilice bolsas al vacío resistentes al calor para transportar y almacenar los ingredientes.
- Nunca reutilice las bolsas al vacío resistentes al calor.
- El tiempo de cocción depende del grosor de la comida. Agregar sal o azúcar puede reducir el tiempo de cocción.
- Utilice la guía de recomendaciones del modo Air Sous Vide (Cocinar al vacío) para conocer el tiempo de cocción recomendado y la temperatura para los alimentos.
- Utilice solamente temperaturas inferiores a 140 °F (60 °C) para cocinar alimentos que se puedan consumir crudos sin riesgos.

Sugerencias

- Para mantener el sabor original, recomendamos que utilice menos hierbas y especias que en las recetas comunes.
- Las carnes rojas y de pescado saben mejor cuando se sellan y sirven.
- Lo ideal es que los platos cocidos al vacío se sirvan inmediatamente después de su cocción.
- De lo contrario, coloque la comida en agua helada y enfríela por completo. Luego, almacene los alimentos por debajo de los 40 °F (5 °C) para conservar el aroma y la textura.
- Se recomienda que el pollo, en particular, se consuma inmediatamente después de su cocción.

Guía de recomendaciones del modo Air Sous Vide (Cocinar al vacío)

Alimento	Punto de cocción	Temperatura (°F)	Tiempo (horas)
Carne de res			
Filete de 1.5" de grosor	Jugoso	130 °F	2.5-4
	Cocido	140 °F	2.5-4
	Bien cocido	155 °F	2.5-4
Asado	Cocido	150 °F	6-12
	Bien cocido	155 °F	6-12
Carne de cerdo			
Chuletas sin hueso	Tierno	150 °F	3-5
	Firme	160 °F	3-5
Asado	Cocido	150 °F	4-6
	Bien cocido	160 °F	4-6
Cerdo desmenuzado	Bien cocido	160 °F	15-48
Pollo			
Pechuga de pollo	Tierno	145 °F	2.5-4
	Firme	160 °F	3-4
Pechuga de pato	Tierno	145 °F	3-4
Pescado			
Filete de salmón	Tierno	130 °F	2-3
	Bien cocido	145 °F	1.5-3
Filete de bacalao	Tierno	130 °F	1.5-3

Uso del horno

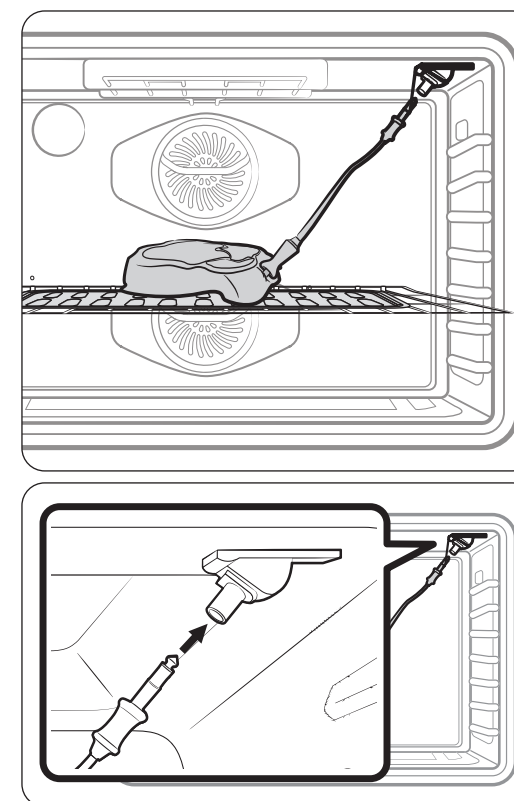
Alimento	Punto de cocción	Temperatura (°F)	Tiempo (horas)
Verduras			
Espárragos	-	180 °F	0.5-2
Papa en rodajas	-	200 °F	2-4
Batata en rodajas	-	200 °F	2-4
Zanahoria en rodajas	-	190 °F	2-4
Calabaza en cubos	-	180 °F	2-4
Fruta			
Manzana en rodajas	-	180 °F	1-2
Piña en rodajas	-	180 °F	1-2
Pera en rodajas	-	180 °F	1-2

Sonda de temperatura

Para muchas carnes, en particular carnes asadas y de ave, medir la temperatura interna es la mejor manera de determinar si la comida está bien cocida. La sonda de temperatura le permite cocinar la carne a la temperatura interna exacta que usted desea. Esta función se puede utilizar en los modos Bake (Hornear), Convection Bake (Hornear por convección) (Pure) y Convection Roast (Asar por convección) (Pure). Después de que la temperatura interna de la comida alcance los 100 °F, la temperatura interna creciente se mostrará en la pantalla.

Cómo utilizar la sonda de temperatura

1. Inserte la sonda en la carne de modo que la punta se encuentre en el centro del corte.



- Insértela por completo como se muestra en la imagen. No debe estar en contacto con huesos, grasa ni cartílago. Si no inserta la sonda por completo en la carne, no funcionará correctamente porque detectará la temperatura del horno, no la de la carne.
- Para carnes con hueso, inserte la sonda en el centro de la parte más baja y gruesa del corte.
- Para aves enteras (pavo, pollos grandes, etc.), inserte la sonda en la parte más gruesa del muslo interno, paralelo a la pata.
- Si activa la función Keep Warm (Mantener caliente) para mantener la carne caliente después de cocinarla utilizando la función de la sonda de temperatura, es posible que la carne se cocine de más.

Uso del horno

2. Inserte la sonda de temperatura por completo dentro de la entrada en la parte superior de la pared del horno.
3. Seleccione la función de cocción deseada (Bake [Hornear], Convection Bake [Hornear por convección] [Pure] o Convection Roast [Asar por convección] [Pure]). Seleccione el modo de cocción deseado. Programe la temperatura de cocción. (Consulte la página 38).
4. Toque **Temp Probe** (Sonda de temperatura) y configure la temperatura interna deseada.

Temperaturas disponibles	100 °F a 200 °F
--------------------------	-----------------

5. Toque **START** (INICIO). Cuando se alcance la temperatura interna deseada, la función se detendrá automáticamente y sonará una alarma.

PRECAUCIÓN

No permita que la punta de la sonda sobresalga de la carne. Asegúrese de que la punta esté en la parte más gruesa de la carne, o cerca de ese punto.

- Para evitar romper la punta de la sonda, descongele la comida por completo.
- Para evitar dañar la sonda, no la deje dentro del horno por ningún motivo más que para su uso previsto. Las pinzas pueden dañar la sonda.
- Utilice la sonda de temperatura únicamente en la función Temp Probe (Sonda de temperatura).

NOTA

- Si retira la sonda de temperatura cuando la función Temp Probe (Sonda de temperatura) está funcionando o si inserta la sonda durante un horneado o una cocción normal, la cocción se interrumpirá después de un minuto.
- Si utiliza la sonda para cocinar alimentos congelados, habrá ocasiones en las que no se detectará. (El ícono de la sonda no aparecerá en la pantalla).

Tabla de temperatura

Tipo de alimento		Temperatura interna (°F)
Carne de res/cordero	Jugoso	140-150
	Cocido	160-170
	Bien cocido	175-185
Carne de cerdo		175-185
Pollo		185-195

NOTA

Si cubre la carne con papel de aluminio y la deja reposar durante 10 minutos después de la cocción, la temperatura interna se elevará entre 5 y 10 grados.

Retiro de la sonda de temperatura

Desconecte la sonda de temperatura y retírela de la carne. Guarde la sonda de carne en un lugar aparte, no la deje conectada a la entrada.

PRECAUCIÓN

Después de la cocción, la sonda está lo suficientemente caliente para provocar quemaduras. Permita que se enfríe lo suficiente antes de intentar retirarla.

Uso del horno

Función de limpieza

Autolimpieza

Este horno autolimpiante utiliza temperaturas altas (muy superiores a las de cocción) para quemar la grasa residual y los residuos por completo o para reducirlos a cenizas finas que usted pueda limpiar con un paño húmedo.

⚠ PRECAUCIÓN

- No deje a niños pequeños sin supervisión cerca del horno durante el ciclo de autolimpieza. Las superficies externas del horno pueden calentarse demasiado.
- Algunas aves son extremadamente sensibles al humo proveniente de un horno autolimpiante. Lleve a las aves a una habitación bien ventilada y lejos del horno.
- No cubra el horno, las parrillas del horno ni su base con papel de aluminio. Esto provocará una mala distribución de calor y malos resultados de cocción, y causará daños permanentes en el interior del horno. El papel de aluminio se derretirá sobre las superficies internas del horno y se pegará.
- No fuerce la puerta del horno para abrirla durante el ciclo de autolimpieza. Esto dañará el sistema de bloqueo automático de la puerta. La puerta se bloquea automáticamente cuando se inicia el ciclo de autolimpieza y permanece bloqueada hasta que se completa o se cancela el ciclo y la temperatura se encuentra por debajo de los 400 °F (205 °C).
- Abra con cuidado la puerta del horno una vez finalizado el ciclo de autolimpieza. El horno eléctrico seguirá estando MUY CALIENTE y es posible que salga aire y vapor caliente cuando se abra la puerta.
- Limpie todo derrame antes de usar la función de autolimpieza.
- No use limpiadores para horno. Los limpiadores para horno comerciales o cubiertas para horno NUNCA se deben usar dentro del horno ni alrededor de cualquiera de sus piezas. Los residuos de los limpiadores para horno dañarán el interior del horno durante el ciclo de autolimpieza.
- Ambas perillas deben estar en la posición **Off** (Apagado) antes de establecer la perilla para seleccionar el modo en la posición **Clean** (Limpieza).

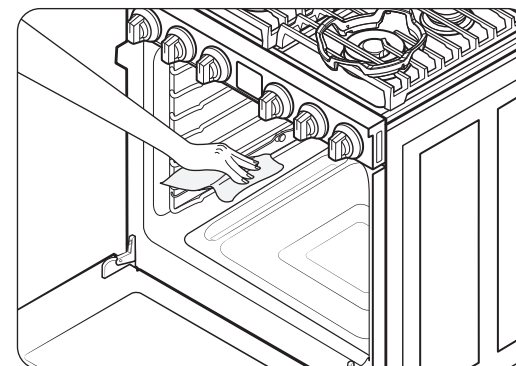


Fig. 1

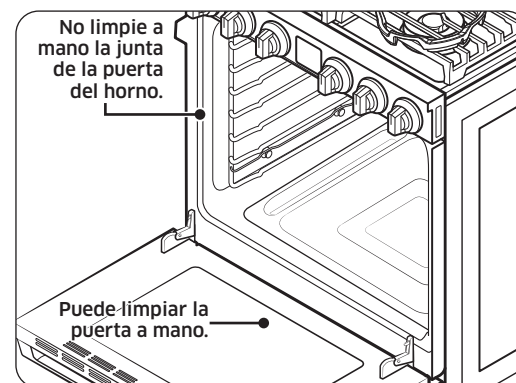


Fig. 2

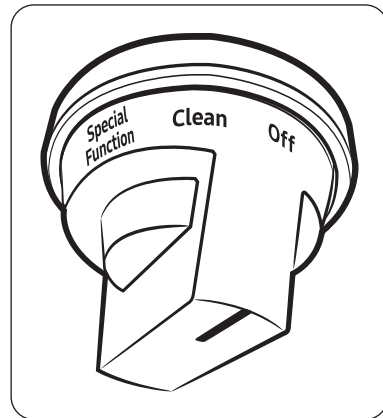
📖 NOTA

- Para conocer detalles sobre cómo retirar las parrillas, consulte las páginas 42 y 44.
- Para conocer detalles sobre cómo retirar los soportes de las parrillas, consulte la página 42.

- Mantenga la cocina bien ventilada durante el ciclo de autolimpieza.
- Retire las parrillas, los soportes de las parrillas y todos los elementos sueltos o extraños del horno.
- Limpie los residuos de la base del horno. (Fig. 1)
- Limpie la puerta del horno y el marco frontal alrededor de las juntas con agua caliente y paños de lana de acero con jabón o limpiadores no abrasivos. Enjuague con agua limpia y seque con un paño.
- La junta de la puerta del horno es frágil y no resiste la limpieza a mano. No limpie la junta. Si la junta se gasta o deteriora, debe reemplazarla.
- Asegúrese de que la cubierta de la luz del horno esté colocada y que la luz esté apagada.

Uso del horno

Cómo ejecutar un ciclo de autolimpieza



1. Asegúrese de que la puerta del horno se encuentre destrabada y cerrada por completo.
2. Gire las perillas para seleccionar el modo y la temperatura a la posición **Off** (Apagado).
3. Gire la perilla para seleccionar el modo de **Off** (Apagado) a la posición **Clean** (Limpieza).



4. Presione < o > para seleccionar el modo Self Clean (Autolimpieza). Presione **OK** (Aceptar) para comenzar la autolimpieza.
5. Establezca el tiempo de autolimpieza. La opción predeterminada es 3 horas. Presione < o > para seleccionar otra configuración de tiempo. Presione **OK** (Aceptar) para comenzar la autolimpieza.
6. La puerta del horno se bloquea y el horno comienza a calentarse. Cuando finaliza el ciclo, suena un pitido. La puerta permanecerá bloqueada hasta que la temperatura del horno sea inferior a 400 °F (205 °C).
7. Cuando se complete el ciclo de autolimpieza, gire la perilla para seleccionar el modo a la posición **Off** (Apagado).

NOTA

- No podrá iniciar un ciclo de autolimpieza si la función de traba de controles está activada o si la temperatura del horno es demasiado alta.
- La puerta del horno se bloquea automáticamente. La pantalla mostrará el tiempo de limpieza restante. No podrá abrir la puerta del horno hasta que la temperatura descienda a un valor seguro o frío.
- No debe operar los quemadores de la placa de cocción durante el modo de autolimpieza.

Para cancelar el ciclo de autolimpieza

Es posible que deba detener o interrumpir un ciclo de autolimpieza debido a la presencia de humo en el horno. Para apagar el ciclo de autolimpieza, gire la perilla para seleccionar el modo a la posición **Off** (Apagado). El ciclo se apagará, pero la puerta permanecerá bloqueada hasta que la temperatura del horno sea inferior a 400 °F (205 °C).

Después de la autolimpieza

- La puerta permanece bloqueada hasta que la temperatura del horno es inferior a 400 °F (205 °C).
- Cuando el horno se enfríe, limpie sus superficies con un paño para eliminar los restos de ceniza.
- Las manchas persistentes se pueden eliminar con un paño de lana de acero. Los restos de cal se pueden eliminar con un paño mojado con vinagre.
- Si no está conforme con los resultados de la limpieza, repita el ciclo.
- El horno no le permitirá repetir el ciclo de autolimpieza de inmediato. Deberá esperar 2 horas antes de volver a ejecutarlo.
- Es posible que se creen líneas delgadas dentro de la cavidad durante el enfriamiento y calentamiento reiterados del producto después de usarlo por mucho tiempo. Esto es normal y no afecta el funcionamiento del producto, y es inocuo para el ser humano.

PRECAUCIÓN

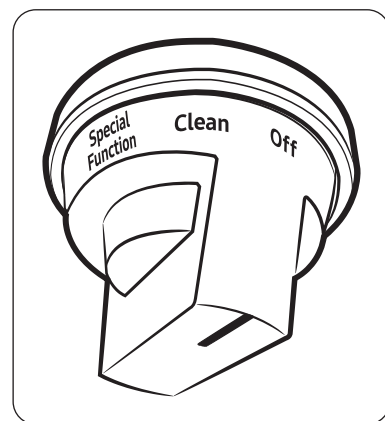
No intente abrir la puerta del horno inmediatamente después de que finaliza el ciclo de autolimpieza. El horno sigue estando muy caliente cuando la puerta se desbloquea. El aire o vapor caliente que sale podría provocar quemaduras.

Uso del horno

Limpieza ecológica

Para una limpieza suave, la función Green Cleaning (Limpieza ecológica) ahorra tiempo y energía. Para una limpieza más profunda, utilice la función de autolimpieza.

Cómo ejecutar un ciclo de limpieza ecológica



1. Asegúrese de que la puerta del horno se encuentre destrabada y cerrada por completo.
2. Vierta aproximadamente 10 oz. (300 ml) de agua sobre la base del horno vacío y cierre la puerta del horno. Utilice solo agua corriente, no utilice agua destilada.
3. Gire las perillas para seleccionar el modo y la temperatura a la posición **Off** (Apagado).
4. Gire la perilla para seleccionar el modo de **Off** (Apagado) a la posición **Clean** (Limpieza).



5. Presione < o > para seleccionar el modo Green Cleaning (Limpieza ecológica). Presione **OK** (Aceptar) para iniciar el ciclo de **Green Cleaning** (Limpieza ecológica).
6. Cuando haya terminado la operación, la pantalla parpadeará y se emitirá una señal sonora. Gire la perilla para seleccionar el modo a la posición **Off** (Apagado).
7. Limpie el interior del horno Después de un ciclo de limpieza ecológica, quedará una cantidad significativa de agua en el fondo del horno. Quite el agua residual con una esponja o un paño suave y seco.

Puede cancelar el ciclo de limpieza ecológica en cualquier momento colocando la perilla para seleccionar el modo en la posición **Off** (Apagado).

NOTA

- Para la limpieza ecológica, use exactamente 10 onzas (300 ml) de agua, ya que brinda mejores resultados.
- Si presiona **Green Clean** (Limpieza ecológica) cuando la temperatura del horno se encuentra por encima de los 125 °F, aparecerá el mensaje "Hot" (Caliente) en la pantalla. Como esta función produce los mejores resultados cuando se inicia mientras el horno está frío, recomendamos que espere hasta que el horno se enfríe y a que el mensaje "Hot" (Caliente) desaparezca de la pantalla.

Después de un ciclo de limpieza ecológica

- Tenga cuidado al abrir la puerta después de que haya finalizado un procedimiento de limpieza ecológica. El agua del fondo está caliente.
- Abra la puerta del horno y quite el agua restante con una esponja. No deje el agua residual en el horno por mucho tiempo. Limpie el horno y séquelo con un paño suave. No olvide limpiar debajo del sello de la puerta del horno.
- Use una esponja empapada en detergente, un cepillo suave o un estropajo de nailon para limpiar el interior del horno. Elimine los residuos rebeldes con un estropajo de nailon. Puede eliminar los restos de cal con un paño empapado en vinagre.
- Si el horno sigue sucio, puede repetir el procedimiento una vez que se haya enfriado.
- Para restos difíciles, como la grasa que queda después del asado, le recomendamos que los retire con detergente antes de activar la función de limpieza ecológica.
- Después de la limpieza, deje la puerta del horno entreabierta en un ángulo de 15° para permitir que la superficie interior de esmalte se seque por completo.

Uso del horno

Uso de la función Sabbath (Sabbath)

(Para usar en festividades judías y Sabbath (Sabbath))



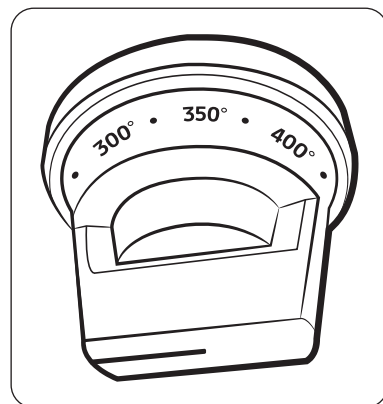
Para recibir más ayuda y ver guías de uso correcto y una lista completa de los modelos con la función Sabbath (Sabbath), visite: <http://www.star-k.org>.

Puede usar la función Shabat únicamente para hornear. La temperatura del horno puede configurarse más alta o más baja después de establecer la función Shabat. (La función de ajuste de la temperatura del horno se debe usar solo durante las festividades judías). Sin embargo, la pantalla no cambiará y los tonos no sonarán cuando ocurra un cambio. Una vez que el horno se configure para hornear con la función Shabat activa, el horno permanecerá encendido continuamente hasta que se cancele la función. Esto anulará la configuración predeterminada de fábrica de ahorro de energía de 12 horas. Si se necesita la luz del horno durante la función Shabat, presione el botón **Oven Light** (Luz del horno) antes de activar la función Shabat. Una vez que la luz del horno esté encendida con la función Shabat activa, la luz interior del horno permanecerá encendida hasta que se apague la función Shabat. Si se necesita apagar la luz del horno, asegúrese de apagarla antes de activar la función Shabat.

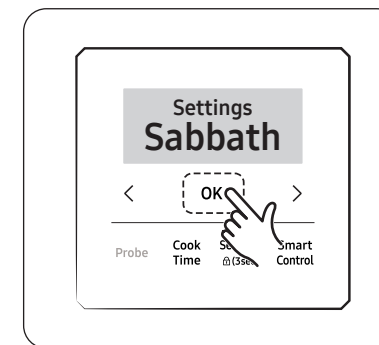
Cómo utilizar la función Sabbath (Sabbath)



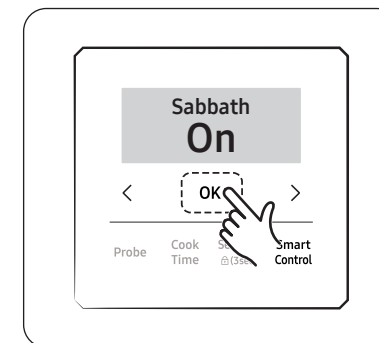
1. Gire la perilla para seleccionar el modo de la posición **Off** (Apagado) a **Bake** (Hornear).



2. Gire la perilla de selección de temperatura desde la posición **Off** (Apagado) para establecer la temperatura. Puede configurar el horno en cualquier temperatura desde Lo (Bajo) hasta 550 °F.



3. Presione el botón **Settings** (Configuración) y luego presione **< o >** para seleccionar el modo Sabbath (Sabbath).



4. Toque **OK** (Aceptar) y luego presione **< o >** para seleccionar **On** (Encendido)/**Off** (Apagado).
5. Toque **OK** (Aceptar) para activar el modo Sabbath (Sabbath).

⚠ PRECAUCIÓN

- No intente activar ningún otro programa que no sea Bake (Hornear) mientras esté activa la función Sabbath (Sabbath).
- No abra la puerta del horno ni cambie la temperatura durante los 30 minutos posteriores al inicio del modo Shabat para permitir que el horno alcance la temperatura establecida. Tenga en cuenta que, para un mejor funcionamiento, el ventilador del horno funciona solo cuando la temperatura se está elevando.

📖 NOTA

- Después de cambiar la temperatura mientras la unidad se encuentra en modo Shabat, hay un retraso de 15 segundos antes de que la unidad reconozca el cambio.
- Puede establecer la función Cook Time (Tiempo de cocción) antes de activar la función Shabat.
- Si ocurre un corte de energía, el horno se apaga solo. Cuando vuelva la energía, el horno no se volverá a encender solo. Aparecerá **Sabbath** (Shabat) en el panel de control, pero el horno no estará encendido. La comida se puede retirar sin riesgos del horno durante el modo Shabat, pero el horno no se podrá operar hasta después del Shabat, momento en el cual puede tocar y mantener **OK** (Aceptar) durante 3 segundos para desactivar el modo Shabat.

Uso del horno

Uso de la función Smart Control (Control inteligente)

Para usar la función Smart Control (Control inteligente) del horno, debe descargar la aplicación SmartThings en un dispositivo móvil. Es posible que las funciones disponibles en la aplicación SmartThings no funcionen correctamente si las condiciones de comunicación son deficientes o si el horno está instalado en un lugar con una señal débil de Wi-Fi.

Es posible que sea necesario un repetidor de Wi-Fi. Dacor no proporciona un repetidor de Wi-Fi.

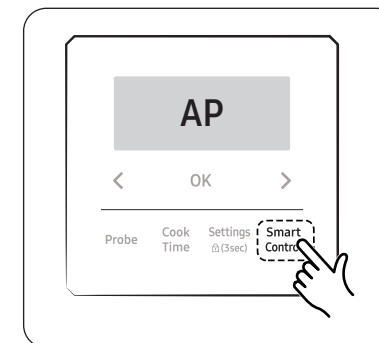
Consulte la siguiente tabla para ver las funciones principales que se pueden operar desde la aplicación.

Cuando el Control inteligente del horno está apagado	Monitoreo (horno, sonda), horno apagado
Cuando el Control inteligente del horno está encendido	Monitoreo (horno, sonda), horno apagado, marca de error

Cómo conectar el horno

1. Descargue y abra la aplicación SmartThings en su dispositivo inteligente.
2. Siga las instrucciones que aparecen en la pantalla de la aplicación para conectar su horno.
3. Presione el botón **Smart Control** (Control inteligente) durante 3 segundos para conectar su estufa. (Desaparecerá el mensaje “AP” de la pantalla).
4. Una vez que finalice el proceso, el horno mostrará el mensaje “Connection Complete” (Conexión completa). La estufa está conectada correctamente.
5. Si la pantalla del horno indica “Can’t Connect Try Again” (No se pudo conectar. Vuelva a intentarlo.), siga la instrucción en la aplicación para volver a conectarse.

Para encender el horno de forma remota



1. Presione el botón **Smart Control** (Control inteligente) durante 3 segundos.

Cuando el Control inteligente está encendido, puede hacer lo siguiente:

- Cambiar de forma remota la configuración del horno (modo, tiempo o temperatura) con su dispositivo móvil.
- Encender y apagar el horno de forma remota.

NOTA

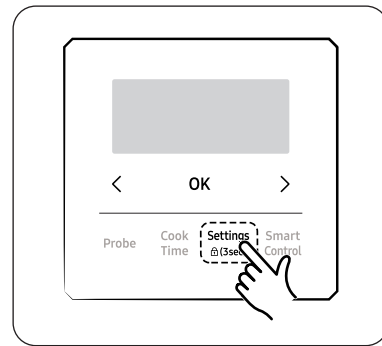
- Importante:** El modo Self Clean (Autolimpieza) no se puede iniciar de forma remota.
- Si abre la puerta del horno, la función Smart Control (Control inteligente) se desactivará y evitará que pueda encender o programar el horno de manera remota.
 - Si la función Smart Control (Control inteligente) está desactivada, aún puede supervisar el estado del horno y apagarlo.
 - Cuando la cocción finaliza o se cancela, la función Smart Control (Control inteligente) se apaga.
 - La estufa seguirá funcionando aunque se pierda la conexión a Wi-Fi.
 - La **aplicación SmartThings** no funcionará correctamente si la conexión a Wi-Fi es inestable.
 - Consulte el manual de la aplicación SmartThings para obtener información detallada.
 - Para obtener más instrucciones, consulte el manual en línea de la aplicación SmartThings en www.dacor.com.

Uso del horno

Seguro para niños

Esta función desactiva la pantalla táctil y bloquea la puerta del horno. Solo puede activar la función Child Lock (Seguro para niños) cuando el horno se encuentre en modo de espera.

Cómo activar la función Child Lock (Seguro para niños)

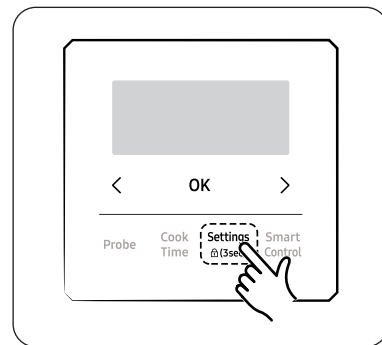


1. Cancele o apague todas las funciones.
2. Toque **Settings** (Configuración) durante 3 segundos.
3. El horno mostrará el mensaje "Child Lock On" (Seguro para niños activado) y un ícono de bloqueo junto con la hora actual.

NOTA

- La función Child Lock (Seguro para niños) está disponible únicamente cuando la temperatura es inferior a 400 °F.
- Todas las demás funciones se deben cancelar antes de activar Child Lock (Seguro para niños).

Cómo desbloquear los controles



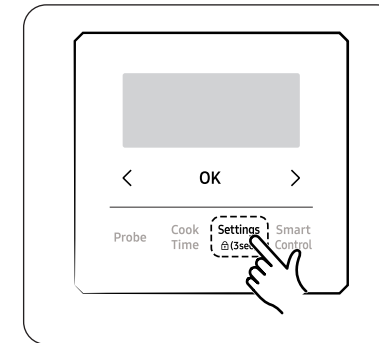
1. Toque **Settings** (Configuración) durante 3 segundos. El mensaje "Child Lock Off" (Seguro para niños desactivado) y el ícono de bloqueo desaparecerán de la pantalla.

NOTA

La puerta puede tardar 10 segundos en desbloquearse.

Configuración

Dentro de Settings (Configuración), puede cambiar la configuración predeterminada a sus preferencias o diagnosticar problemas con la conexión a la red.



1. Presione el botón **Settings** (Configuración).

Wi-Fi

Para activar la conexión a Wi-Fi

1. Presione el botón **Settings** (Configuración).
2. Presione < o > para seleccionar **Wi-Fi**.
3. Toque **OK** (Aceptar) y luego presione < o > para seleccionar **On** (Encendido) u **Off** (Apagado) y luego toque **OK** (Aceptar).

NOTA

Para obtener información sobre la conexión a Wi-Fi y el uso de la aplicación SmartThings, consulte el manual del usuario de SmartThings.

Uso del horno

Límite de tiempo de la pantalla

Puede ajustar el límite de tiempo de la pantalla.

1. Presione el botón **Settings** (Configuración).
2. Presione < o > para seleccionar **Screen Timeout** (Límite de tiempo).
3. Toque **OK** (Aceptar) y luego presione < o > para cambiar el tiempo. (El tiempo predeterminado es 20 minutos).
4. Toque **OK** (Aceptar).

Temperatura

Unidad de temperatura

Puede programar el control del horno para que muestre la temperatura en Fahrenheit (predeterminada) o Celsius.

1. Presione el botón **Settings** (Configuración).
2. Presione < o > para seleccionar **Temp. Unit** (Unidad de temperatura).
3. Toque **OK** (Aceptar) y luego presione < o > para seleccionar la unidad de temperatura.
4. Toque **OK** (Aceptar).

Ajuste de la temperatura

La temperatura del horno viene calibrada de fábrica. Cuando utilice el horno por primera vez, asegúrese de seguir los tiempos y las temperaturas de la receta en todo momento.

Si cree que el horno está demasiado caliente o demasiado frío, puede corregir la temperatura. Antes de corregirla, pruebe la receta usando una configuración de temperatura que sea superior o inferior a la temperatura recomendada.

Los resultados de horneado deberían ayudar a determinar el ajuste adecuado. La temperatura del horno se puede ajustar en ± 35 °F (± 19 °C).

1. Presione el botón **Settings** (Configuración).
2. Presione < o > para seleccionar **Temp. Adjust** (Ajuste de temperatura).
3. Toque **OK** (Aceptar) y luego presione < o > para seleccionar el ajuste que desee realizar.
4. Toque **OK** (Aceptar).

NOTA

Este ajuste no afectará la temperatura para asar a la parrilla ni la de autolimpieza. El ajuste se conservará en la memoria después de un corte eléctrico.

Sonido

Con la configuración de sonido, puede establecer que los controles del horno funcionen en silencio.

1. Presione el botón **Settings** (Configuración).
2. Presione < o > para seleccionar **Sound** (Sonido).
3. Toque **OK** (Aceptar) y luego presione < o > para seleccionar **Sound On** (Sonido activado)/**Alerts Only On** (Solo alertas)/**Sound Off** (Sonido desactivado).
4. Toque **OK** (Aceptar).

Ahorro de energía de 12 horas

Si deja el horno encendido, esta función lo apagará automáticamente después de 12 horas durante las funciones de horneado, o después de 3 horas durante la función Asar a la parrilla.

1. Presione el botón **Settings** (Configuración).
2. Presione < o > para seleccionar **12hr Energy Saving** (Ahorro de energía de 12 horas).
3. Toque **OK** (Aceptar) y luego presione < o > para seleccionar **On** (Encendido) u **Off** (Apagado).
4. Toque **OK** (Aceptar).

Modo Demo

Esta opción es para usarse en establecimientos minoristas para fines de imagen únicamente. (Cuando el modo Demo está activado, los elementos de calentamiento se desactivan y no funcionan).

1. Presione el botón **Settings** (Configuración).
2. Presione < o > para seleccionar el modo Demo.
3. Toque **OK** (Aceptar) y luego presione < o > para seleccionar **On** (Encendido) u **Off** (Apagado).
4. Toque **OK** (Aceptar).

Uso del horno

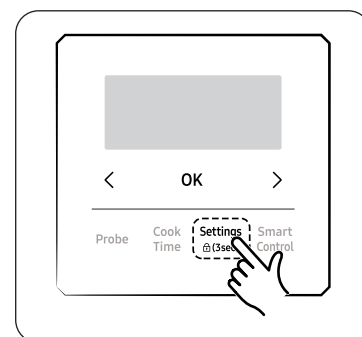
Uso de la función de control de la campana

NOTA

Este producto cuenta con un dispositivo Bluetooth que puede utilizar para conectar la estufa a los modelos Dacor de control de la campana. A través de la conexión por Bluetooth, puede usar la función de control de la campana en la aplicación SmartThings.

Para conectar un modelo de control de la campana con una campana, haga lo siguiente:

1. Descargue y ejecute la aplicación SmartThings en su dispositivo inteligente. Luego, complete el procedimiento Smart Control (Control inteligente) para conectarlo a la estufa. Consulte la página 68.
2. Siga las instrucciones de Bluetooth del modelo de control de la campana y active la conexión por Bluetooth.
3. Presione el ícono **Bluetooth** en el panel de control de la campana. El ícono LED Bluetooth parpadeará.



4. Presione el botón **Settings** (Configuración) en la pantalla de la estufa. Presione **< o >** para seleccionar **Hood Connection** (Conexión de la campana). Toque **OK** (Aceptar) para conectarse a la campana.
5. Cuando el emparejamiento por Bluetooth finalice, el ícono LED Bluetooth dejará de parpadear y brillará de forma estable. Presione el botón **Settings** (Configuración) para salir.
6. Siga las instrucciones del manual del usuario del modelo de control de la campana y la guía de la aplicación para usar el control de la campana.

Bluetooth encendido y apagado

Presione el ícono **Bluetooth** en el panel de control de la campana.

NOTA

- El ícono LED Bluetooth en la campana está encendido cuando el Bluetooth está activado.
El ícono LED Bluetooth en la campana está apagado cuando el Bluetooth está desactivado.
- Si la conexión de Smart Control no fue exitosa, no podrá utilizar la aplicación SmartThings para supervisar ni controlar la campana.
- Sin una conexión de Smart Control a la estufa, puede utilizar la conexión Bluetooth para emparejar la estufa con la campana y sincronizarlas. Para hacerlo, siga los pasos de conexión por Bluetooth en la página 74.
- El Bluetooth no funcionará correctamente si la conexión Bluetooth es inestable.
- Consulte el manual de la aplicación SmartThings para obtener información detallada.

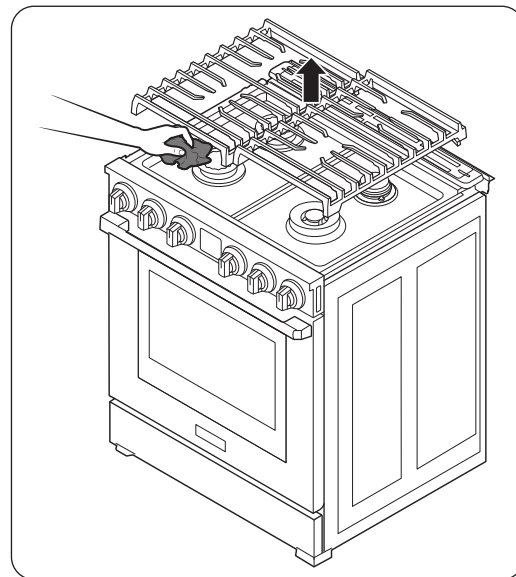
Cuidados y mantenimiento: placa de cocción

⚠ ADVERTENCIA

Asegúrese de que el suministro eléctrico esté desconectado y que todas las superficies estén frías antes de limpiar la placa de cocción. Es obligatorio utilizar guantes durante la limpieza. Algunos quemadores y algunas piezas de la placa de cocción tienen bordes filosos. Tenga cuidado al limpiar.

Limpieza de la superficie de la placa de cocción

Debe limpiar los derrames lo antes posible.



1. Apague todos los quemadores.
2. Cuando las rejillas se hayan enfriado lo suficiente, quítelas.
3. Limpie la superficie de la placa de cocción con un paño suave. Si los derrames llegan a los componentes de los quemadores, quite los componentes junto con su cabezal y limpie los derrames.
4. Cuando termine de limpiar, vuelva a montar los quemadores y a ubicar las rejillas.

⚠ PRECAUCIÓN

No lave las rejillas de los quemadores en un lavavajillas.

Superficies de acero inoxidable

1. Limpie cualquier derrame y manchas y exceso de grasa usando un paño suave húmedo.
2. Use un limpiador aprobado para acero inoxidable o un paño o una toalla de papel.
3. Limpie un área a la vez, frotando en el sentido del veteado del acero inoxidable, de ser posible.
4. Seque la superficie con un paño suave y seco.
5. Repita los pasos 2 a 4 según sea necesario.

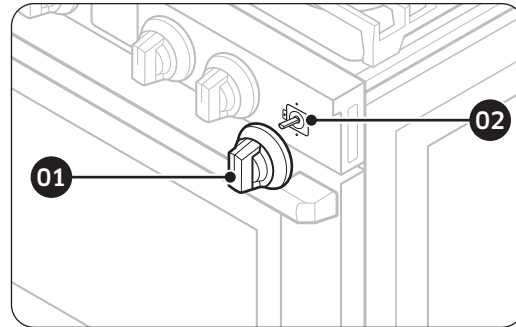
⚠ PRECAUCIÓN

- No utilice productos (p. ej., paños de lana de acero, espátulas afiladas, limpiadores abrasivos, lejía cáustica o hidróxido sódico) que puedan afectar el aspecto del acero y dañar los componentes.
- No retire la bandeja antiderrames para limpiarla. Las líneas de gas que llegan a las válvulas de los quemadores pueden dañarse y provocar un incendio o una falla en el funcionamiento.
- No vierta agua en la placa de cocción. El agua puede gotear dentro de los sistemas eléctrico y de gas, y generar un peligro de descarga eléctrica o niveles altos de monóxido de carbono (CO) en caso de que haya válvulas o puertos de gas corroídos.
- No rocíe ningún tipo de limpiador dentro de los agujeros del colector. El sistema de encendido interior debe permanecer seco.

Cuidados y mantenimiento: placa de cocción

Perillas de control

Apague todas las perillas de los quemadores.



01 Sujete cada perilla y tire de ellas para quitarlas.

02 Vástago de válvula. No quitar.

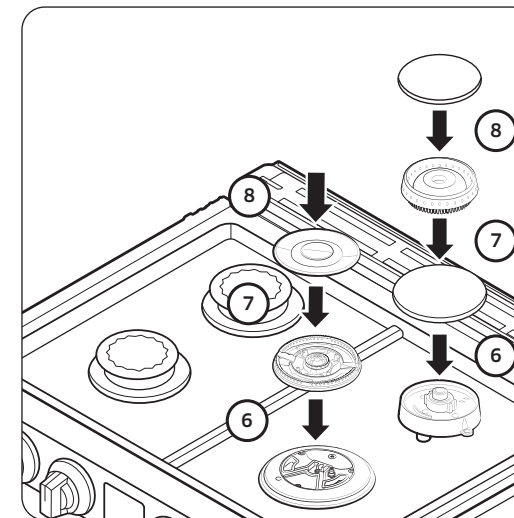
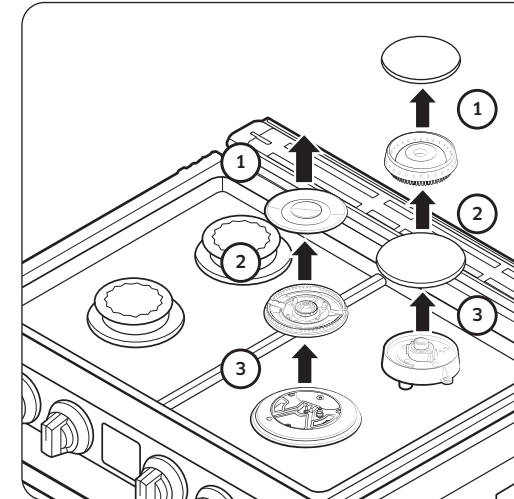
1. Retire las perillas de sus vástagos de válvula.
2. Limpie las perillas con agua caliente y jabón, enjuague y seque minuciosamente.
3. Limpie las superficies de acero inoxidable usando un limpiador de acero inoxidable.
4. Vuelva a acoplar las perillas a los vástagos de válvula en la posición **Off** (Apagado).

⚠ PRECAUCIÓN

- No limpie las perillas de control en un lavavajillas.
- No rocíe los limpiadores directamente sobre el panel de control. La humedad que ingresa en los circuitos eléctricos puede provocar una descarga eléctrica o dañar el producto.

Rejillas de los quemadores y sus componentes

Apague todos los quemadores superficiales y asegúrese de que se hayan enfriado.



1. Quite las rejillas de los quemadores.
2. Quite las tapas de los quemadores de los cabezales.
3. Quite los cabezales de los quemadores de las válvulas hasta ver los electrodos de inicio.
4. Limpie las rejillas y los componentes de los quemadores con agua caliente y jabón. (No utilice paños de lana de acero ni limpiadores abrasivos).
5. Enjuague y seque minuciosamente las rejillas y los componentes de los quemadores. Asegúrese de que los puertos de los quemadores no tengan agua.

6. Vuelva a acoplar los cabezales de los quemadores y asegúrese de colocar un electrodo de inicio en los agujeros de cada cabezal.

📖 NOTA

Consulte la página 82 para obtener más información sobre cómo acoplar los componentes de los quemadores.

7. Vuelva a acoplar los componentes de los quemadores restantes y asegúrese de que la tapa quede nivelada sobre los cabezales.
8. Vuelva a instalar las rejillas de los quemadores en sus respectivas posiciones.
9. Encienda cada quemador para verificar que funcione correctamente y luego, apáguelo.

⚠ PRECAUCIÓN

- Los electrodos de inicio no se pueden quitar. No intente quitarlos a la fuerza.
- Asegúrese de que todos los componentes de los quemadores (cabezales y tapas) se vuelvan a instalar correctamente. Cuando se instalan correctamente, son estables y quedan en posición plana.
- Para evitar que se astillen, no golpee las rejillas y las tapas entre sí ni contra superficies rígidas, como utensilios de cocina de hierro fundido.
- El anillo del quemador se puede bloquear con comida o suciedad. Limpie el anillo si parece estar bloqueado. Si limpia el distribuidor con agua, móntelo solo después de que se encuentre completamente seco. Si el anillo está húmedo, puede impedir que se enciendan los quemadores.

Cuidados y mantenimiento: placa de cocción

Tapas y cabezales de los quemadores

NOTA

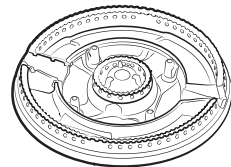
Antes de quitar las tapas y cabezales de los quemadores, recuerde su tamaño y ubicación. Vuelva a colocarlos en la misma posición después de su limpieza.

Lave las tapas y los cabezales de los quemadores con agua tibia y jabón, y enjuague con agua corriente limpia. Puede fregar con una esponja o un estropajo de plástico para retirar las partículas de comida quemadas.

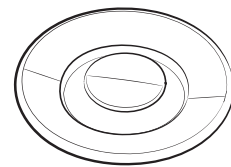
Utilice una aguja de coser o un sujetapapeles para destapar los agujeros pequeños de los cabezales de los quemadores, de ser necesario.

PRECAUCIÓN

- No lave ninguna pieza de los quemadores en un lavavajillas.
- No utilice lana de acero ni polvos limpiadores en los quemadores.



Cabezal de latón de quemador

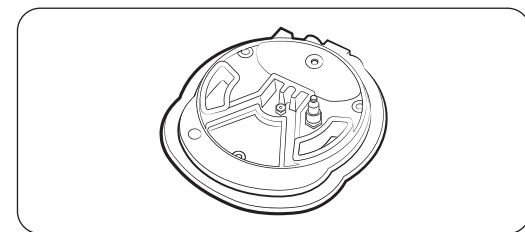


Tapa de latón de quemador

NOTA

- Las piezas de latón de sus quemadores cambiarán su color. Sin embargo, esto no afectará su rendimiento.
- Luego de limpiar, verifique que los puertos de los quemadores estén destapados.
- Puede intercambiar las tapas del quemador originales por tapas de porcelana, si lo desea.
- Para retirar grasa quemada, sumerja la tapa del quemador en una solución de agua y una cucharada de vinagre blanco o una cucharada de jugo de limón. No utilice cepillos metálicos para limpiarla. Esto podría dañar las piezas de latón.

Bases de los quemadores



PRECAUCIÓN

Las bases de los quemadores no son extraíbles. No intente desmontarlas. Asegúrese de que no ingrese agua en las bases de los quemadores ni en los orificios de gas de latón.

Pase un trapo húmedo con cuidado para no estropear ni deformar las bases. Asegúrese de que las bases estén completamente secas antes de usar la placa de cocción.

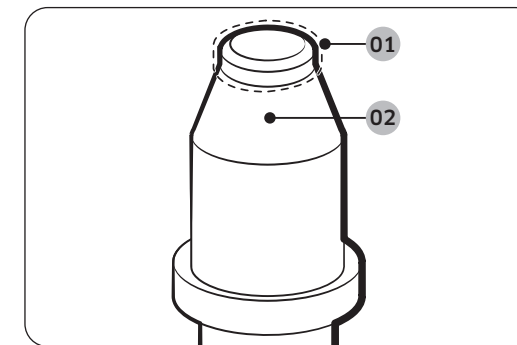
Electrodos

ADVERTENCIA

No encienda la válvula tocando el electrodo. Puede sufrir una descarga eléctrica.

PRECAUCIÓN

No intente quitar el electrodo de la placa de cocción ni de las bases de los quemadores.



01 Pieza de metal: Limpie esta pieza de metal.

02 Pieza de cerámica blanca: No limpie esta pieza de cerámica blanca con una lima de uñas.

Nunca debe cocinar mientras limpia la placa de cocción.

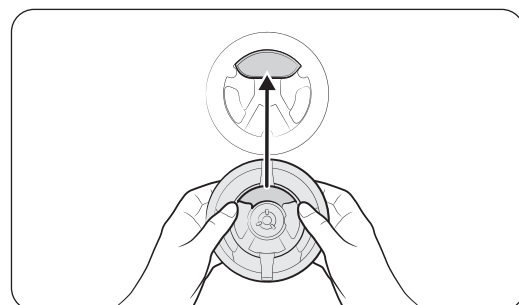
Asegúrese de que los electrodos de cerámica blanca estén limpios y secos. Limpie la parte de metal con un paño suave. No limpie los encendedores con agua.

Antes de montar los quemadores superficiales, presione suavemente cada uno de los electrodos de cerámica blanca para asegurarse de que estén apretados contra las bases de los quemadores.

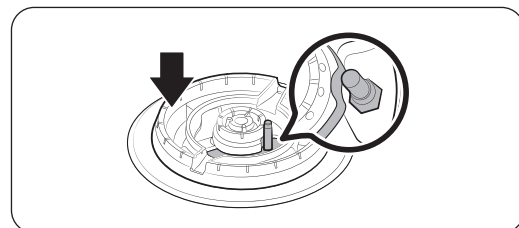
Cuidados y mantenimiento: placa de cocción

Reemplazo de cabezales y tapas de los quemadores

Tapas y cabezales de quemadores dobles



1. Oriente el cabezal del quemador de modo que la abertura para el electrodo esté alineada con el electrodo.

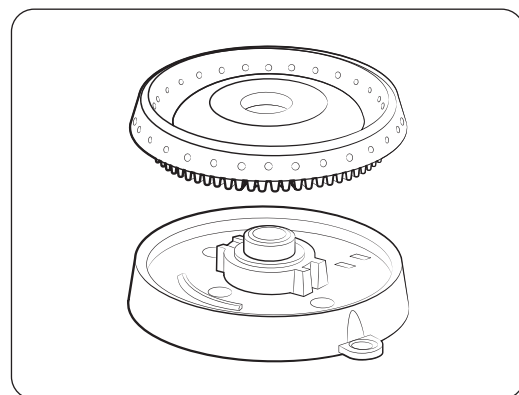


2. Instale el cabezal del quemador de modo que el electrodo pase por la abertura del cabezal. Verifique que el cabezal del quemador quede plano sobre la placa de cocción.
3. Empareje las tapas con los quemadores de acuerdo a su tamaño, luego instale las tapas en los cabezales.

⚠ PRECAUCIÓN

Cada tapa encaja en un cabezal de quemador específico. Verifique que cada tapa esté instalada y nivelada sobre el cabezal correcto.

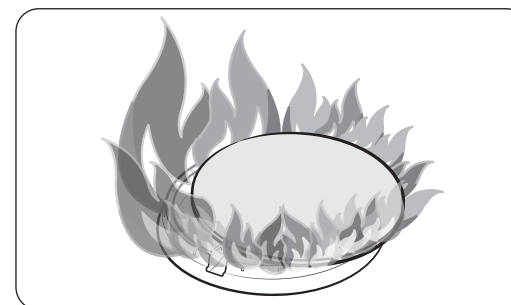
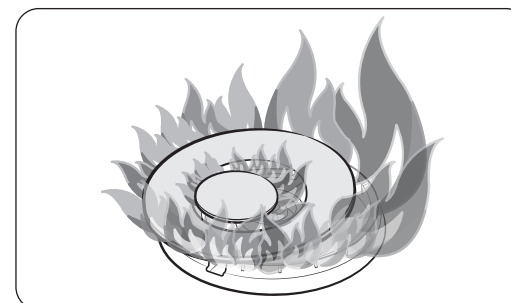
Tapas y cabezales de los quemadores redondos



1. Coloque los cabezales de los quemadores sobre sus bases. La parte inferior del cabezal encaja sobre la base del quemador.
2. Gire el cabezal hasta que entre en su posición y luego muévalo suavemente para asegurarse de que esté bien encajado.
3. Coloque las tapas del quemador sobre los anillos del quemador. El puente sobre la parte inferior de cada tapa encaja alrededor de la parte superior del anillo.

⚠ PRECAUCIÓN

Verifique que todas las piezas de los quemadores estén colocadas correctamente.



📖 NOTA

Luego de instalar los quemadores, verifique que funcionen correctamente. Los componentes mal instalados pueden causar un mal encendido o llamas desparejas, como se muestra en la imagen de la izquierda. Si el quemador muestra llamas desparejas o de un excesivo color amarillo, apague el quemador de inmediato y espere a que se enfríe. Vuelva a ajustar las tapas del quemador e intente encenderlo nuevamente. Una buena llama se ve completamente azul y pareja alrededor del quemador.

Cuidados y mantenimiento: horno

Cuidado y limpieza del horno

⚠ ADVERTENCIA

Asegúrese de que el suministro eléctrico esté desconectado y que todas las superficies estén frías antes de limpiar el artefacto.

Limpieza de piezas pintadas y bordes decorativos

- Para una limpieza general, utilice un paño con agua caliente y jabón.
- Para los residuos más difíciles y la grasa acumulada, aplique un detergente líquido directamente sobre el área y espere entre 30 y 60 minutos. Limpie con un paño mojado y seque el área. No utilice materiales ni sustancias abrasivas sobre las superficies del horno. Podría rayarlas.

Limpieza de superficies de acero inoxidable

1. Agite bien una botella de limpiador o pulidor para artefactos de acero inoxidable.
2. Coloque una pequeña cantidad de limpiador o pulidor para artefactos de acero inoxidable en un paño o una toalla de papel húmedo.
3. Limpie un área pequeña, frotando en el sentido del veteado del acero inoxidable, de ser posible.
4. Limpie y pule el área con una toalla de papel limpia y seca o con un paño suave.

📄 NOTA

Algunas toallas de papel rayan el acero inoxidable; pruebe sobre un área poco visible antes de usarlas.

5. Repita el procedimiento las veces necesarias.

📄 NOTA

- No utilice un paño de lana de acero. Rayará la superficie.
- Si se utilizó un limpiador para artefactos de acero inoxidable a base de aceite mineral antes de limpiar el artefacto, lave la superficie con líquido lavavajillas y agua antes de usar el limpiador o pulidor para artefactos de acero inoxidable.

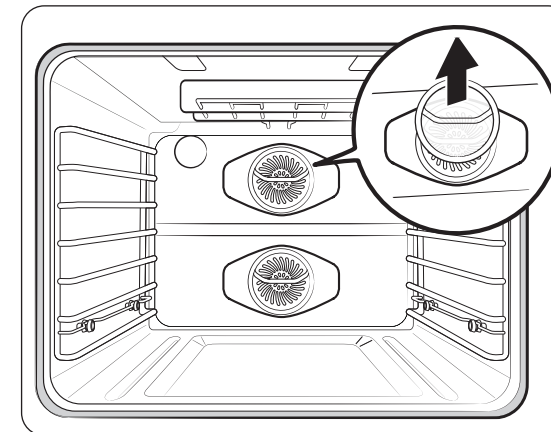
Filtro de convección

Los filtros de convección se ubican en la parte posterior de cada cámara del horno. Límpielos con regularidad. Si deja que se obstruyan, los modos de cocción por convección del horno no funcionarán correctamente.

📄 NOTA

Para su seguridad y un funcionamiento adecuado del horno, vuelva a instalar los filtros de convección antes de cocinar.

Retiro del filtro de convección de su horno

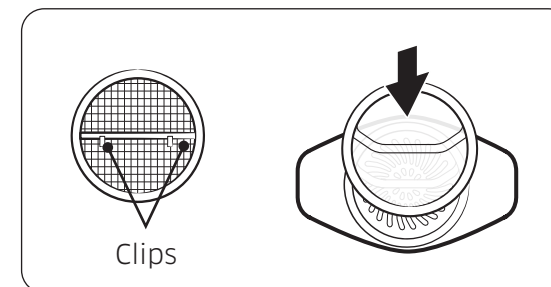


Cuando el horno esté frío, coloque los dedos sobre los bordes del filtro y tire suavemente hacia arriba.

Para limpiar el filtro

Sumerja el filtro en agua caliente jabonosa y enjuague bien. También puede colocarlo en la parrilla superior de un lavavajillas. Seque el filtro antes de volver a colocarlo.

Instalación del filtro de convección de su horno



Enganche cuidadosamente los clips de metal en la parte de atrás del filtro sobre la barra metálica que cruza el orificio del ventilador. Asegúrese de que esté centrado sobre el orificio. Tenga cuidado de no rayar las superficies de porcelana con la parte de atrás del filtro.

Bandeja de la freidora de aire

Para mantener limpia la bandeja de la freidora de aire, retírela de la cavidad y sumérjala en agua tibia jabonosa. Luego, limpie la suciedad de la bandeja de la freidora de aire usando un estropajo de plástico.

📄 NOTA

La bandeja de la freidora de aire se puede meter en el lavavajillas.

⚠ PRECAUCIÓN

No deje la bandeja de la freidora de aire dentro del horno durante el ciclo de autolimpieza. El calor extremo generado en este ciclo puede despegar permanentemente el recubrimiento de la bandeja, su color se pondrá ligeramente azul y el acabado se opacará.

Cuidados y mantenimiento: horno

Parrillas del horno

- Se recomienda retirar las parrillas, ya que, si se dejan dentro del horno durante un ciclo de autolimpieza, su color se pondrá ligeramente azul y el acabado se opacará. Una vez finalizado el ciclo de autolimpieza y que se haya enfriado el horno, deberá frotar los costados de las parrillas con papel encerado o un paño con un poco de aceite. Esto ayudará a que las parrillas se deslicen con mayor facilidad por los carriles.
- Las parrillas deslizantes se pueden limpiar a mano con un limpiador abrasivo o lana de acero. Durante la limpieza, tenga cuidado de no permitir que el agua ni el limpiador ingresen a los pasadores de los costados de la parrilla.

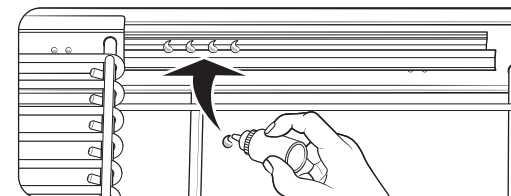
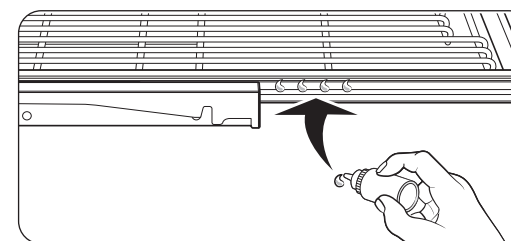
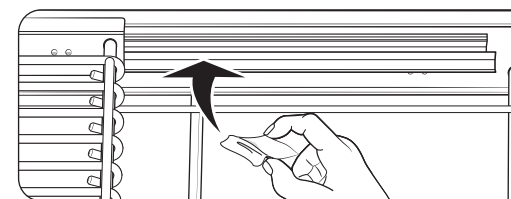
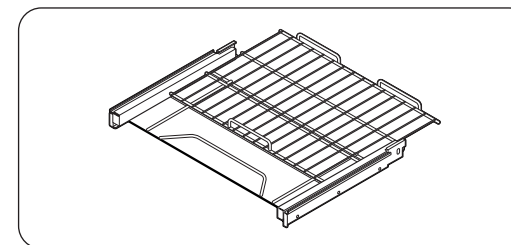
NOTA

- No limpie las parrillas del horno en el lavavajillas.
- Si se vuelve difícil retirar o reemplazar la parrilla, limpie suavemente las guías de la parrilla con aceite de cocina. No frote aceite de cocina en los pasadores.
- Si se vuelve difícil deslizar la parrilla, es posible que sea necesario lubricarla con un lubricante de grafito.
- El lubricante de grafito está disponible para compra al por menor. Compruebe que esté aprobado por la FDA.

PRECAUCIÓN

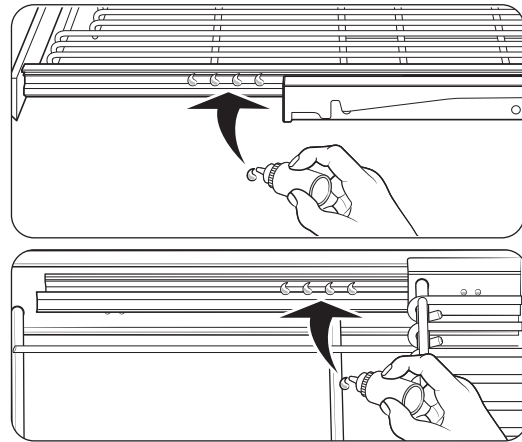
- No deje las parrillas dentro del horno durante el ciclo de autolimpieza. El calor extremo generado en este ciclo puede despegar permanentemente el recubrimiento de las parrillas y dificultar su extracción.
- No rocíe aceite de cocina ni lubricante directamente sobre la parrilla deslizante.

Lubricación de los pasadores de la parrilla deslizante



1. Retire la parrilla del horno. Vea cómo retirar la parrilla deslizante en la sección **Uso de la parrilla deslizante** de la página 43.
2. Extienda completamente la parrilla sobre una mesa o mesada. Puede colocar periódicos abajo de la parrilla para una limpieza sencilla.
3. Si hay suciedad en los carriles de deslizamiento, límpiela con una toalla de papel. (Se debe reemplazar el lubricante de grafito que se limpie; consulte los pasos 4 a 7).
4. Agite el lubricante de grafito antes de abrirlo. Comenzando por el mecanismo deslizante de la izquierda (parte frontal y posterior) de la parrilla, coloque cuatro (4) gotitas de lubricante en los dos (2) carriles inferiores de deslizamiento cercanos a los portadores del rodamiento.

Cuidados y mantenimiento: horno



5. Repita este paso para el mecanismo deslizante de la derecha (parte frontal y posterior) de la parrilla.
6. Abra y cierre la parrilla varias veces para distribuir el lubricante.
7. Coloque la tapa al lubricante y vuelva a agitarlo. Gire la parrilla y repita los pasos 3, 4, 5 y 6.
8. Cierre la parrilla, gire el lado derecho de la parrilla hacia arriba y vuelva a colocarla en el horno. Consulte **Instalación de la parrilla deslizante** en la página 43.

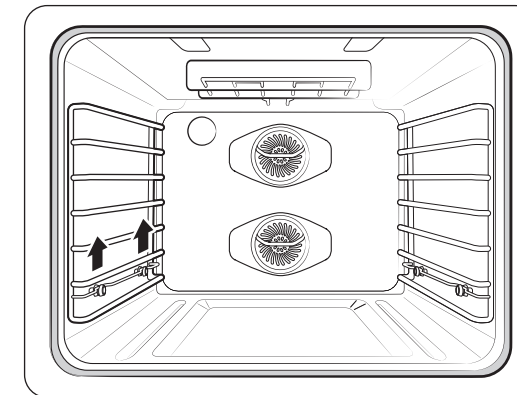
NOTA

No rocíe la parrilla deslizante con aerosol de cocina ni otros aerosoles lubricantes.

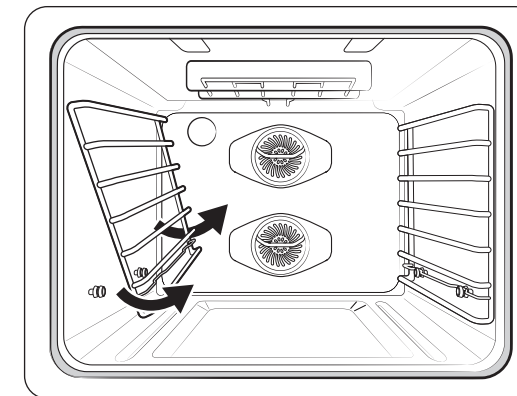
Parrillas verticales

Las parrillas verticales se pueden retirar para limpiarlas manualmente o evitar la decoloración durante un ciclo de autolimpieza.

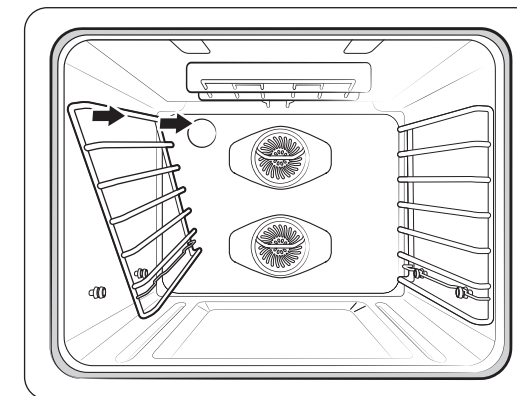
Retiro de las parrillas verticales



1. Tome la guía de la parrilla de posición 2 y levante la parrilla vertical. Esto la libera de sus dos soportes en la pared del horno.



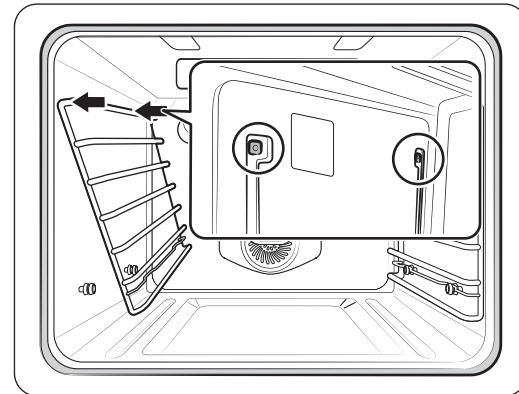
2. Rote la parrilla vertical aproximadamente 45°.



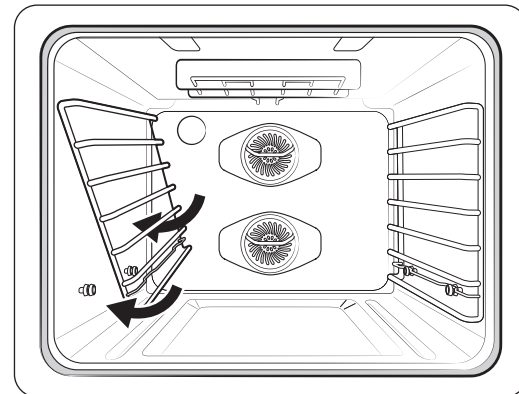
3. Aleje la parrilla de la pared del horno para retirarla de los dos orificios de soporte en la pared del horno.
4. Repita este procedimiento con la parrilla vertical de la pared opuesta.

Cuidados y mantenimiento: horno

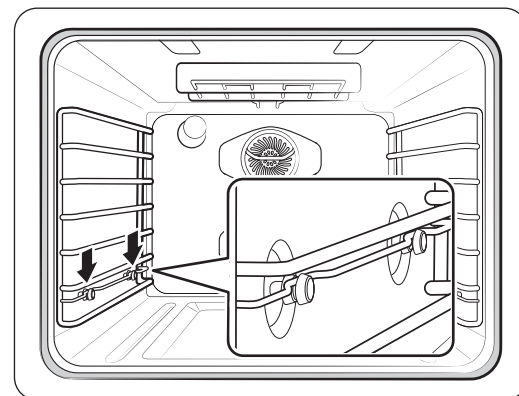
Reemplazo de las parrillas verticales



1. Coloque la parte superior de la parrilla vertical en los dos orificios de soporte en la pared del horno.

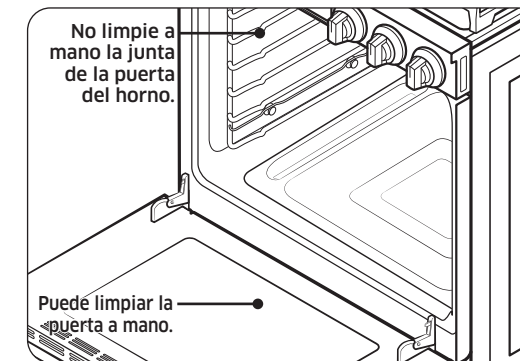


2. Rote la parrilla vertical hacia la pared del horno.



3. Tire hacia arriba de la guía de la parrilla de posición 2 y presione la parrilla contra los dos soportes en la pared del horno.
4. Repita este procedimiento con la parrilla vertical de la pared opuesta.

Puerta del horno



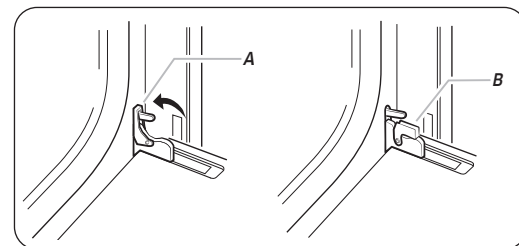
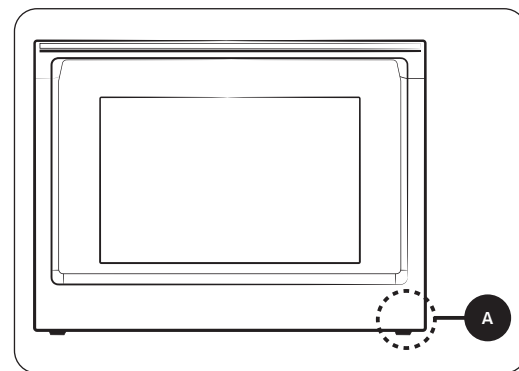
- Utilice agua y jabón para limpiar minuciosamente la parte superior, los costados y el frente de la puerta del horno. Enjuague bien todo. Puede utilizar limpiadores para vidrio y el vidrio exterior de la puerta del horno. **NO** sumerja la puerta en agua. **NO** rocíe agua ni permita que entre agua ni limpiador para vidrio en las ventilaciones de la puerta. **NO** utilice limpiadores para horno, polvos limpiadores ni otros materiales de limpieza abrasivos en el exterior de la puerta del horno.
- **NO** limpie la junta de la puerta del horno. La junta de la puerta del horno está hecha con un material tejido que es esencial para un buen sellado. Se debe tener cuidado de no frotar, dañar ni quitar esta junta.

Cuidados y mantenimiento: horno

Retiro de la puerta del horno

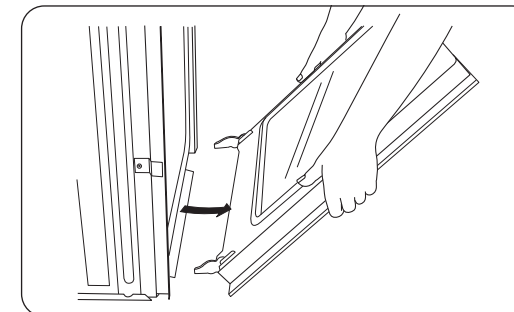
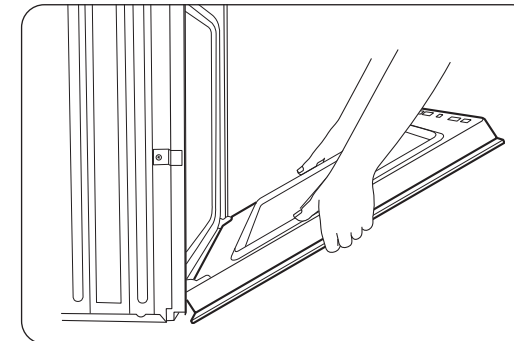
⚠ PRECAUCIÓN

- La puerta es muy pesada. Tenga cuidado al retirarla y levantarla.
- No levante la puerta por el mango.
Use ambas manos para retirar la puerta del horno.
 - Tenga cuidado al mover la puerta. Una manipulación inadecuada podría provocar lesiones físicas.
 - Para evitar una descarga eléctrica, asegúrese de que el horno esté apagado antes de retirar la puerta del horno.



- A.** Pestillo de la bisagra de la puerta del horno en posición bloqueada
- B.** Pestillo de la bisagra de la puerta del horno en posición desbloqueada

1. Antes de retirar la puerta del horno, prepare una superficie sobre la que la colocará. Esta superficie debe ser plana y estar cubierta con una manta suave. También puede utilizar los esquineros del material de empaquetado.
2. Abra la puerta del horno.
3. En las esquinas inferiores de la puerta, voltee los bloqueos de las bisagras hacia afuera para desbloquearlos; de lo contrario, la puerta no podrá retirarse.



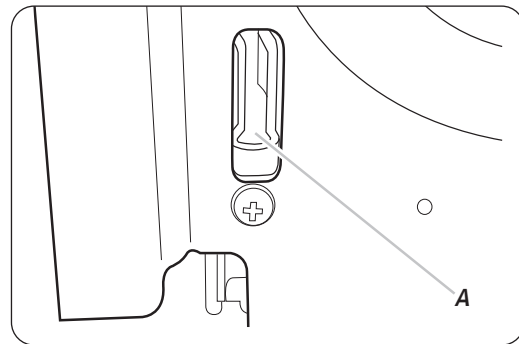
4. Cierre parcialmente la puerta para accionar los bloqueos de los pestillos de la puerta. La puerta se trabará en este punto.
5. Sujete cada lado de la puerta por debajo del mango y levántela un poco para exponer el cableado de la base.
6. Coloque la puerta del horno a un lado sobre la superficie de trabajo cubierta que preparó con la puerta del horno apoyada sobre el mango.

Cuidados y mantenimiento: horno

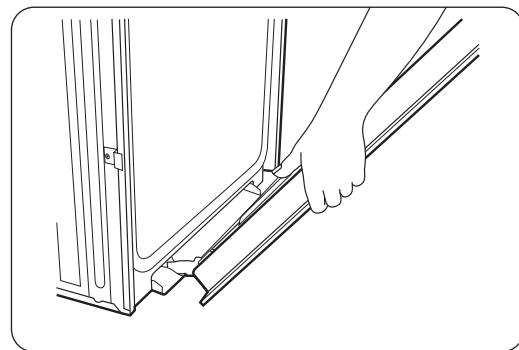
Recolocación de la puerta del horno

⚠ PRECAUCIÓN

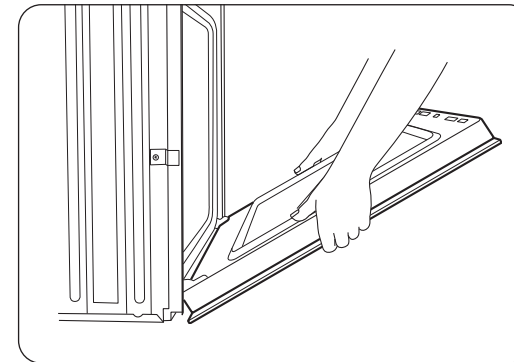
La puerta es muy pesada. Es posible que necesite ayuda para levantar la puerta a una altura suficiente como para deslizarla en las ranuras de las bisagras. No levante la puerta por el mango.



A. Ranura en la cavidad del horno para el bloqueo de la bisagra de la puerta



1. Con ambas manos, sujete los bordes de los costados de la puerta por el punto medio. Colóquese frente a la cavidad del horno.
2. Acerque la puerta al producto.
3. Ubique las ranuras a cada lado de la cavidad del horno para los bloqueos de las bisagras de la puerta.
4. Sostenga la puerta en un ángulo de 45° y alinee las bisagras de la puerta con las ranuras en la parte inferior frontal de la cavidad del horno. Inserte lentamente la puerta, asegurándose de mantener el ángulo de 45°. Se dará cuenta de que la puerta está colocada en la ranura cuando sienta una suave caída.



5. Abra la puerta por completo. Si la puerta del horno no se abre por completo a 90°, repita los pasos 1 a 4.
6. En las esquinas inferiores de la puerta, voltee los bloqueos de las bisagras hacia adentro para bloquearlas. Vea el paso 3 (ilustración A) en la sección **Retiro de la puerta del horno** para ver la correcta posición de bloqueo.
7. Cierre la puerta del horno.

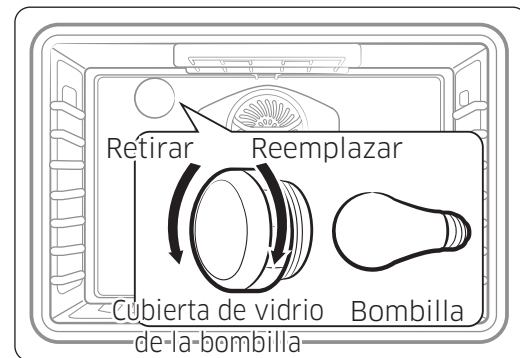
📄 NOTA

Cuando las bisagras se instalan correctamente y la puerta está cerrada, el espacio entre la puerta y el panel de control debe ser parejo. Si un lado de la puerta del horno está más bajo que el otro, la bisagra de ese lado no está correctamente instalada.

Cuidados y mantenimiento: horno

Luz del horno

La luz del horno es una bombilla estándar de 40 vatios para artefactos. Se enciende cuando se abre la puerta del horno.



1. Apague el horno.
2. Asegúrese de que el horno y la luz del horno estén fríos.
3. Abra la puerta y retire la cubierta de vidrio girándola en el sentido contrario a las agujas del reloj.
4. Retire la luz del horno del hueco girándola en el sentido contrario a las agujas del reloj.
5. Coloque una bombilla nueva de 40 vatios para artefactos en el hueco y gírela en el sentido de las agujas del reloj para ajustarla.
6. Vuelva a colocar la cubierta de vidrio y gírela en el sentido de las agujas del reloj para ajustarla.

⚠ PRECAUCIÓN

Para evitar una descarga eléctrica, asegúrese de que el horno esté apagado y frío antes de reemplazar la luz del horno.

📄 NOTA

- La luz del horno no funciona durante el ciclo de autolimpieza.
- Retire las parrillas si impiden que pueda acceder a la luz del horno.

Solución de problemas

Si encuentra problemas inesperados, primero busque una solución en las siguientes tablas. Si no puede resolverlos después de haber intentado con la solución sugerida, llame al 833-353-5483 (EE. UU.) o al 844-509-4659 (CANADÁ).

Seguridad del gas

Problema	Causa posible	Acción
Si hay olor a gas.	La perilla del quemador superficial no está en la posición Off (Apagado) y el quemador no está encendido.	Gire la perilla del quemador hacia la posición Off (Apagado).
	Hay una pérdida de gas	Evacúe la habitación, el edificio o el área de ocupantes. Llame inmediatamente al proveedor de gas desde el teléfono de un vecino. No llame desde su teléfono. Es eléctrico y podría provocar una chispa que encienda el gas. Siga las instrucciones del proveedor de gas. Si no puede comunicarse con el proveedor de gas, llame al departamento de bomberos.

Quegador superficial

Problema	Causas posibles	Acción
No todos los quemadores encienden.	El cable de alimentación no está conectado al tomacorriente.	Asegúrese de que el enchufe eléctrico esté conectado a un tomacorriente activo con una conexión a tierra adecuada.
	Un fusible de su hogar pudo haberse fundido o es posible que haya saltado el disyuntor.	Reemplace el fusible o reinicie el disyuntor.
	El suministro de gas no está conectado o encendido correctamente.	Consulte las instrucciones de instalación que vienen con su estufa.

Solución de problemas

Problema	Causas posibles	Acción
Los quemadores superficiales no encienden.	La perilla de control no está configurada correctamente.	Presione la perilla y gírela hacia la posición Lite.
	Las tapas del quemador no están en su lugar. La base del quemador está desalineada.	Limpie los electrodos. Coloque el cabezal del quemador sobre su base. Alinee la base del quemador.
El quemador superficial hace clic durante la operación.	La perilla de control se dejó en la posición Lite.	Cuando el quemador esté encendido, gire la perilla de control hacia la configuración deseada. Si el quemador sigue haciendo clic, comuníquese con un técnico de servicio.
Los quemadores no queman parejo.	Los componentes y las tapas del quemador superficial no están montadas correctamente y a nivel.	Consulte la página 82 .
	Los quemadores superficiales están sucios.	Limpie los componentes de los quemadores superficiales. (Consulte la página 76).
Llamas muy grandes o amarillas en los quemadores superficiales.	Se instaló el orificio incorrecto del quemador.	Compruebe el tamaño del orificio del quemador. Comuníquese con su instalador si tiene el orificio incorrecto (gas LP en lugar de gas natural o gas natural en lugar de gas LP).
Los quemadores superficiales se encienden, pero los quemadores del horno no.	El bloqueo de la puerta del horno está activado.	La pantalla mostrará el ícono Bloquear. Mantenga la puerta del horno abierta y toque y mantenga presionado el botón Settings (Configuración) durante 3 segundos. El horno emitirá un pitido y el ícono Bloquear se desactivará.
	El interruptor de cierre del regulador de presión del gas está en posición de apagado.	Llame a un técnico de servicio calificado.

Pantalla de control

Problema	Causa posible	Solución
La pantalla está en blanco.	Un fusible de su hogar pudo haberse fundido o ha saltado el disyuntor.	Reemplace el fusible o reinicie el disyuntor.
Los controles táctiles no responden cuando se los toca.	Hay sustancias extrañas entre los botones.	Retire las sustancias extrañas y vuelva a intentarlo.
	Hay humedad en el exterior.	Retire la humedad y vuelva a intentarlo.
	La función de bloqueo está activada.	Compruebe si la función de bloqueo está activada.

Horno

Problema	Causa	Acción
El control del horno emite un pitido y muestra un código de información.	Es posible que haya un problema con el horno. Vea la tabla Códigos de información en la página 105 .	Gire la perilla del quemador hacia la posición Off (Apagado) y reinicie el horno. Si el problema persiste, desconecte todas las fuentes de alimentación de la estufa durante al menos 30 segundos y vuelva a conectarlas. Si no se soluciona el problema, llame al servicio técnico.
El horno no se enciende.	El horno no está completamente conectado al tomacorriente.	Asegúrese de que el enchufe eléctrico esté conectado a un tomacorriente activo con una conexión a tierra adecuada.
	Un fusible de su hogar pudo haberse fundido o es posible que haya saltado el disyuntor.	Reemplace el fusible o reinicie el disyuntor.
La temperatura del horno es demasiado alta o demasiado baja.	El termostato del horno necesita un ajuste.	Consulte la página 72 .

Solución de problemas

Problema	Causa	Acción
El quemador del horno no se apaga.	El bloqueo de la puerta del horno está activado.	La pantalla mostrará el ícono Bloquear. Mantenga la puerta del horno abierta y toque y mantenga presionado el botón Settings (Configuración) durante 3 segundos. El horno emitirá un pitido y el ícono de bloqueo se desactivará.
	La función Shabat se activó.	Se mostrarán en pantalla SAb y la hora del día. Todos los demás controles y señales se desactivarán. Para apagar el horno únicamente, gire la perilla a la posición Off (Apagado). Para cancelar la función Shabat y reactivar los controles y señales, toque y mantenga presionado el botón OK (Aceptar) durante 3 segundos.
El ventilador del horno hace ruidos o no se apaga. * Solo el modelo de horno deslizante.	Si bien el ventilador de refrigeración no está visible, podrá escuchar el funcionamiento cuando el sistema electrónico esté caliente y el apagado cuando el sistema electrónico esté frío.	Esta es la operación normal para enfriar el horno. El ventilador de refrigeración se apaga automáticamente cuando el horno se enfría.
La luz del horno (lámpara) no se enciende.	El bloqueo de la puerta del horno está activado.	La pantalla mostrará el ícono Bloquear. Mantenga la puerta del horno abierta y toque y mantenga presionado Settings (Configuración) durante 3 segundos. El horno emitirá un pitido y el ícono de bloqueo se desactivará.
	La función Shabat se activó.	Se mostrarán en pantalla SAb y la hora del día. Todos los demás controles y señales se desactivarán. Para cancelar la función Shabat y reactivar el interruptor de luz y los demás controles, toque y mantenga presionado OK (Aceptar) durante 3 segundos.
	Hay una bombilla suelta o quemada.	Consulte la página 96 .
	Se debe reemplazar el interruptor que controla la luz del horno.	Llame a un técnico de servicio calificado.

Problema	Causa	Acción
El horno humea excesivamente al asar a la parrilla.	La carne o la comida no se preparó adecuadamente antes de asarla a la parrilla.	Corte el exceso de grasa o los bordes grasos que haya.
	La parrilla del horno superior está mal colocada.	Consulte la guía para asar a la parrilla en la página 45 .
	Los controles no están configurados correctamente.	Consulte la página 32 .
	Hay acumulación de grasa en las superficies del horno.	Se necesita una limpieza regular cuando se ase a la parrilla con frecuencia.
La cocción termina, pero el ventilador de refrigeración sigue funcionando.	El ventilador funciona de manera automática durante cierto tiempo para ventilar el interior del horno.	Esta no es una falla del producto. El ventilador está diseñado para funcionar de manera automática durante cierto tiempo para enfriar el horno.
El horno no realiza la autolimpieza.	El bloqueo de la puerta del horno está activado.	La pantalla mostrará el ícono Bloquear. Mantenga la puerta del horno abierta y toque Settings (Configuración) durante 3 segundos. El horno emitirá un pitido y el ícono Bloquear se desactivará.
	El divisor inteligente está instalado en el horno.	La función de autolimpieza no funciona con el divisor inteligente instalado. Retírelo del horno.
	El horno está demasiado caliente.	Espere a que se enfríe y restablezca los controles. El ciclo de autolimpieza no bloqueará la puerta del horno si la temperatura del horno es demasiado alta. La puerta se debe bloquear antes de comenzar el ciclo de autolimpieza.
	Los controles del horno autolimpiante no están adecuadamente configurados.	Restablezca los controles del horno autolimpiante. (Consulte la página 60).
	Hay un quemador superficial encendido.	Apague el quemador superficial. La autolimpieza no funcionará con un quemador superficial encendido.
Se oye un sonido crepitante o chasquidos.	Eso es normal.	Estos son los ruidos que emite el metal al calentarse y enfriarse durante las funciones de cocción o limpieza.

Solución de problemas

Problema	Causa	Acción
Hay demasiado humo durante el ciclo de autolimpieza.	Es la primera vez que se limpia el horno.	Eso es normal. El horno siempre humeará más la primera vez que se limpia. Limpie la suciedad excesiva antes de iniciar el ciclo de autolimpieza. Si el humo persiste, gire la perilla del quemador hacia la posición Off (Apagado). Abra las ventanas para que el humo salga de la habitación. Una vez frío y desbloqueado el horno, limpie la suciedad excesiva y restablezca el horno para su autolimpieza.
La puerta del horno no se abre después de un ciclo de autolimpieza.	Eso es normal.	La puerta permanecerá bloqueada hasta que la temperatura del horno sea inferior a 400 °F (205 °C).
El horno no está limpio después de un ciclo de autolimpieza.	Es normal que haya polvo fino o ceniza.	Esto se puede limpiar con un paño húmedo. Configure un ciclo de autolimpieza más largo. El ciclo no fue lo suficientemente largo como para quemar la acumulación de residuos. Los hornos extremadamente sucios requieren una limpieza a mano de los derrames excesivos y de la acumulación de comida antes de iniciar un ciclo de autolimpieza. Es posible que se necesiten varios ciclos de autolimpieza para limpiar el horno por completo.
Sale vapor o humo de debajo del panel de control.	Eso es normal.	Allí se encuentra el conducto de ventilación del horno. Se ve más vapor cuando se utilizan las funciones de convección o cuando se hornean o asan varias comidas a la vez.
Sale olor a quemado o a aceite del conducto de ventilación.	Esto es normal en un horno nuevo y dejará de ocurrir 1/2 hora después del primer ciclo de horneado.	Para acelerar el proceso, configure un ciclo de autolimpieza durante un mínimo de 3 horas. (Consulte la página 60).
Hay un olor muy fuerte.	Esto es temporal.	El aislamiento alrededor del interior del horno libera olor las primeras veces que se utiliza el horno.

Problema	Causa	Acción
Es difícil deslizar las parrillas del horno.	Eso es normal.	Aplique una pequeña cantidad de aceite vegetal en una toalla de papel y frote los bordes de las parrillas del horno con ella. Las parrillas se opacan y se dificulta su deslizamiento si se dejan dentro del horno durante un ciclo de autolimpieza.
El ventilador hace ruido.	Eso es normal.	El ventilador de convección funciona hasta que termina la función o se abre la puerta.
El ventilador de convección no funciona.	Eso es normal.	El ventilador comienza a funcionar automáticamente cuando el horno alcanza la temperatura de precalentado.

Otros

Problema	Causa	Acción
El producto no está a nivel.	El artefacto se instaló incorrectamente. Las patas niveladoras están dañadas o desaparecidas.	Asegúrese de que el piso esté a nivel y que sea fuerte y estable. Si el piso cede o tiene una inclinación, comuníquese con un carpintero. Revise y nivele la estufa. (Consulte las instrucciones de instalación).
	Los gabinetes de la cocina no están adecuadamente alineados y hacen que la estufa parezca desnivelada.	Asegúrese de que los gabinetes estén escuadrados y ofrezcan suficiente espacio para su instalación.
La pantalla está en blanco.	El Interruptor de circuito por pérdida a tierra (GFI o GFCI) del tomacorriente eléctrico ha saltado y se debe reiniciar. Su control digital se ha dañado.	Reemplace el fusible o reinicie el disyuntor.

Solución de problemas

Problema	Causa	Acción
La comida no se hornea o asa correctamente en el horno.	Se seleccionó el modo de cocción incorrecto.	Consulte la página 35 .
	Las parrillas del horno no se posicionaron adecuadamente para que esto ocurra.	Consulte la página 40 .
	Se están utilizando utensilios de cocina incorrectos o del tamaño inadecuado.	Consulte la página 27 .
	Hay papel de aluminio en las parrillas o la base del horno.	Retire el papel de aluminio.
	El reloj o el temporizador no están correctamente configurados.	Consulte la página 32 .
La comida no se asa a la parrilla correctamente.	Los controles del horno no están configurados correctamente.	Consulte la página 32 .
	La puerta del horno no estaba cerrada al usar este modo.	Cierre la puerta del horno durante el modo Asar a la parrilla.
	La parrilla no se colocó correctamente.	Consulte la guía para asar a la parrilla en la página 45 .

Códigos de información

Horno

Código que se muestra	Causa posible	Solución
C-d0	Este código se muestra si la tecla de control está en corto durante 1 minuto.	Limpie los botones y asegúrese de que no haya agua sobre ellos ni a su alrededor. Apague el horno y vuelva a intentarlo. Si el problema continúa, comuníquese con un centro de servicio local de Dacor.
C-d1	Este código se muestra si el bloqueo de la puerta está mal colocado.	Gire la perilla del quemador hacia la posición Off (Apagado) y reinicie el horno. Si el problema persiste, desconecte todas las fuentes de alimentación del horno durante al menos 30 segundos y vuelva a conectarlas. Si no se soluciona el problema, llame al servicio técnico.
C-F0	Este código se muestra si se interrumpe la comunicación entre el PBA principal y el secundario.	
C-F2	Este código se muestra si se interrumpe la comunicación entre el PBA principal y el táctil.	Reinicie el artefacto.
C-20	El sensor del horno está abierto mientras el horno está funcionando.	
	El sensor del horno está en corto mientras el horno está funcionando.	
C-21	Este código se muestra si la temperatura interna sube de manera anormal.	Gire las perillas para seleccionar el modo y la temperatura hacia la posición Off (Apagado) y reinicie el horno. Si el problema persiste, desconecte todas las fuentes de alimentación del horno durante al menos 30 segundos y vuelva a conectarlas. Si no se soluciona el problema, llame al servicio técnico.
C-22	El sensor PCB secundario está abierto mientras el horno está funcionando.	
	El sensor PCB secundario está en corto mientras el horno está funcionando.	

Solución de problemas

Código que se muestra	Causa posible	Solución
C-23	La sonda de temperatura está en corto mientras el horno está funcionando.	Gire la perilla del quemador hacia la posición Off (Apagado) y reinicie el horno. Si el problema persiste, desconecte todas las fuentes de alimentación del horno durante al menos 30 segundos y vuelva a conectarlas. Si no se soluciona el problema, llame al servicio técnico.
C-30	El sensor PCB está abierto mientras el horno está funcionando. El sensor PCB está en corto mientras el horno está funcionando.	
C-31	Este código se muestra si la temperatura del PCB sube de manera anormal.	Llame al servicio técnico.
C-A2	El motor de refrigeración está funcionando de manera anormal.	Llame al servicio técnico.

Garantía y servicio técnico

Garantía

Lo que cubre

CERTIFICADO DE GARANTÍA ESTUFAS DACOR

DENTRO DE LOS CINCUENTA ESTADOS DE EE. UU., EL DISTRITO DE COLUMBIA Y CANADÁ:

DOS AÑOS COMPLETOS DE GARANTÍA

La garantía aplica solo al artefacto Dacor vendido al primer usuario comprador, y comienza en la fecha de la compra original o la fecha de finalización de una nueva construcción, según qué periodo sea más largo. La garantía es válida para productos comprados nuevos en un distribuidor Dacor u otro vendedor autorizado por Dacor. Si su producto Dacor tiene fallas en su funcionamiento dentro de un año de la fecha original de compra, debido a defectos en el material o fabricación, Dacor lo solucionará sin costo.

Todos los daños estéticos (como rayas en el acero inoxidable, manchas en la pintura y porcelana, etc.) en el producto o los accesorios incluidos deben ser informados a Dacor dentro de los 60 días de la fecha original de compra para calificar en la cobertura de la garantía. Las piezas consumibles como los filtros y las bombillas no están cubiertas y son responsabilidad del comprador.

LIMITACIONES DE LA COBERTURA

El servicio técnico será realizado por una compañía de servicio técnico designada por Dacor durante horarios hábiles. Los proveedores de servicio técnico son entidades independientes y no son agentes de Dacor.

Los productos de exposición del distribuidor y de la casa modelo con una fecha de fabricación mayor a 5 años, los productos vendidos "Tal cual" y los productos instalados para uso no residencial (incluidos, entre otros, usos en organizaciones religiosas, estaciones de bomberos, pensiones y spas) poseen una garantía de piezas solo por un año. Todas las tarifas de envío, instalación, mano de obra y demás tarifas de servicio son responsabilidad del comprador.

La garantía es nula e inválida si un producto fue alterado, desfigurado o le faltan números de serie o etiquetas.

El dueño debe presentar pruebas de la compra o declaración de finalización de nueva construcción, según sea requerido. Todos los productos Dacor deben estar disponibles para el servicio técnico.

La garantía es nula e inválida si un producto no ETL y no CUL aprobado es transportado desde EE. UU.

Garantía y servicio técnico

FUERA DE LOS CINCUENTA ESTADOS DE EE. UU., EL DISTRITO DE COLUMBIA Y CANADÁ:

DOS AÑOS LIMITADOS DE GARANTÍA

Si su producto Dacor presenta fallas en su funcionamiento dentro de los dos años de la fecha original de compra, debido a defectos en el material o fabricación, Dacor hará el reemplazo por una nueva parte, F.O.B a la fábrica.

Todas las tarifas de envío, instalación, mano de obra y demás tarifas de servicio son responsabilidad del comprador.

Lo que no cubre

- Se pueden observar leves variaciones del color debido a diferencias en las piezas pintadas, la luz de la cocina, la colocación del producto y demás factores. Esta garantía no aplica para variaciones del color.
- Las llamadas del servicio técnico para educar al cliente sobre el uso y el cuidado adecuados del producto.
- Las tarifas del servicio técnico por viajes a islas y zonas remotas; que incluyen, pero no se limitan a, transbordadores, autopistas u otros gastos de viaje.
- El daño consecuente o incidental; que incluye, pero no se limita a, pérdida de alimentos o medicamentos, licencia laboral o comidas de restaurantes.
- Las fallas del producto por uso comercial, empresarial, de arriendo o cualquier otra aplicación fuera del uso de cliente residencial.
- Las fallas del producto provocadas por la instalación inadecuada.
- El reemplazo de fusibles domésticos, cajas de fusibles o el reinicio de disyuntores.
- El daño al producto provocado por accidentes, incendios, inundaciones, cortes eléctricos, sobrecargas eléctricas y otros actos de Dios.
- La obligación o responsabilidad por daños del entorno de la propiedad como ebanistería, pisos, techos u otras estructuras u objetos alrededor del producto.
- La rotura, decoloración o daño a vidrio, superficies metálicas, componentes plásticos, recortes, pintura u otros acabados estéticos provocados por el uso y el cuidado inadecuados, el abuso o la negligencia.

Fuera de garantía

Si tiene un problema técnico fuera del período estándar de garantía, contáctenos. Dacor evalúa cada problema y preocupación del cliente para brindar la mejor solución posible según las circunstancias.

LAS SOLUCIONES PROVISTAS EN LAS GARANTÍAS EXPRESAS MÁS ARRIBA, SON LAS ÚNICAS Y EXCLUSIVAS SOLUCIONES. POR LO TANTO, NO SE REALIZAN OTRAS GARANTÍAS EXPRESAS. FUERA DE LOS CINCUENTA ESTADOS DE ESTADOS UNIDOS, EL DISTRITO DE COLUMBIA Y CANADÁ, TODAS LAS GARANTÍAS IMPLÍCITAS; QUE INCLUYEN, PERO NO SE LIMITAN A, CUALQUIER GARANTÍA IMPLÍCITA DE COMERCIABILIDAD O APTITUD PARA UN USO O FINALIDAD PARTICULAR, TIENEN UNA DURACIÓN LIMITADA DE UN AÑO DESDE LA FECHA ORIGINAL DE COMPRA. EN NINGUNA CIRCUNSTANCIA DACOR SERÁ RESPONSABLE POR GASTOS INCIDENTALS O DAÑOS CONSECUENTES. EN EL CASO DE QUE DACOR PREVALEZCA EN CUALQUIER DEMANDA, DACOR TENDRÁ LA FACULTAD DE SER REEMBOLSADO POR TODOS LOS COSTOS Y GASTOS, INCLUIDAS LAS TARIFAS DEL ABOGADO, POR EL CLIENTE DE DACOR. NO SE REALIZAN GARANTÍAS, EXPRESAS O IMPLÍCITAS, A NINGÚN VENDEDOR PARA REVENTA.

Algunos estados no permiten limitaciones sobre la duración de la garantía, o no permiten la exclusión o limitación de daños inconsecuentes, por lo que las limitaciones o exclusiones anteriores no aplicarían en su caso. Esta garantía menciona sus derechos legales específicos, además de otros derechos que pueda tener y varíen según el estado.

Anuncio de código abierto

El software incluido en este producto contiene software de código abierto. Puede obtener el código de fuente completo correspondiente por un período de tres años desde el último envío de este producto si envía un correo electrónico a [mailto:oss.request@samsung.com](mailto:request@samsung.com).

También es posible obtener el código de fuente completo correspondiente en un medio físico como un CD-ROM y se le cobrará un cargo mínimo.

La siguiente dirección URL http://opensource.samsung.com/opensource/OVEN_HKM_TZ/seq/0 lo lleva a la página de descarga del código fuente disponible y de la información de la licencia de software libre relacionada con este producto. Esta oferta es válida para quien reciba esta información.



Visite www.dacor.com para activar su garantía en línea.

INFORMACIÓN SOBRE LA GARANTÍA



IMPORTANTE:

Su garantía no comenzará hasta que la active en línea o reenvíe este formulario a Dacor. Si compró más de un producto Dacor, reenvíe todos los formularios en un sobre o active en línea la garantía para cada producto.

Usted tiene la garantía de que bajo ninguna circunstancia Dacor venderá su nombre o parte de la información de este formulario con la finalidad de crear listas de difusión. Estamos muy agradecidos por su elección de los productos Dacor para su hogar y no consideramos la venta de dicha información como la forma adecuada para expresar nuestra gratitud.

Nombre del propietario:

Calle: _____
Apellido (en imprenta o tipeado) Primer nombre Segundo nombre

Ciudad: _____ Estado: _____ Código postal: _____

Fecha de compra: _____ **Correo electrónico:** _____ **Teléfono:** _____

Distribuidor: _____

Ciudad: _____ Estado: _____ Código postal: _____

Valoramos su disposición para dedicar unos segundos de su tiempo para completar la sección a continuación. Gracias.

1. ¿Cómo descubrió los productos Dacor? Marque solo una opción.

- | | |
|--|--|
| <input type="checkbox"/> A. Programa de cocina en la televisión | <input type="checkbox"/> F. Constructor |
| <input type="checkbox"/> B. Revista | <input type="checkbox"/> G. Arquitecto o diseñador |
| <input type="checkbox"/> C. Exposición de distribuidor de artefactos | <input type="checkbox"/> H. Otro dueño de Dacor |
| <input type="checkbox"/> D. Exposición de distribuidores de cocinas | <input type="checkbox"/> I. Casa modelo |
| <input type="checkbox"/> E. Programa sobre el hogar | <input type="checkbox"/> J. Otro _____ |

2. ¿Dónde compró su artefacto Dacor?

- | | |
|--|---|
| <input type="checkbox"/> A. Distribuidor de artefactos | <input type="checkbox"/> D. Constructor |
| <input type="checkbox"/> B. Distribuidor de cocinas | <input type="checkbox"/> E. Otro _____ |
| <input type="checkbox"/> C. Proveedor del constructor | |

3. ¿Con qué propósito compró el producto?

- | | |
|--|---|
| <input type="checkbox"/> A. Reemplazo solamente | <input type="checkbox"/> C. Nuevo hogar |
| <input type="checkbox"/> B. Parte de una remodelación | <input type="checkbox"/> D. Otro _____ |

4. ¿Cuáles son los ingresos de su núcleo familiar?

- | | |
|---|---|
| <input type="checkbox"/> A. Menos de USD 75 000 | <input type="checkbox"/> D. USD 150 000 - USD 200 000 |
| <input type="checkbox"/> B. USD 75 000 - USD 100 000 | <input type="checkbox"/> E. USD 200 000 - USD 250 000 |
| <input type="checkbox"/> C. USD 100 000 - USD 150 000 | <input type="checkbox"/> F. Más de USD 250 000 |

5. ¿Qué artefactos de la marca tiene en su cocina?

- | | |
|---------------------------|-----------------------|
| A. Placa de cocción _____ | C. Lavavajillas _____ |
| B. Horno _____ | D. Refrigerador _____ |

6. ¿Compraría o recomendaría otro producto Dacor?

- | | |
|-----------------------------|-----------------------------|
| <input type="checkbox"/> Sí | <input type="checkbox"/> No |
|-----------------------------|-----------------------------|

Comentarios: _____

Muchas gracias por su colaboración. Esta información nos ayudará a planificar a futuro y brindarle la asistencia que se merece.

Coloque aquí la etiqueta del número de serie

Sitio web: www.dacor.com

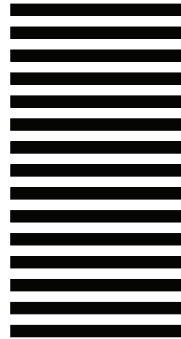
Teléfono: 833-353-5483 (EE. UU.), 844-509-4659 (CANADÁ)

cortar aquí

cortar aquí



NO POSTAGE
NECESSARY
IF MAILED
IN THE
UNITED STATES



BUSINESS REPLY MAIL
FIRST-CLASS MAIL PERMIT NO 1600 CITY OF INDUSTRY CA

POSTAGE WILL BE PAID BY ADDRESSEE

DACOR
ATTN: WARRANTY PROCESSING DEPT
PO BOX 90070
CITY OF INDUSTRY, CA 91715-9907



fold here



DG68-01459A-00



Dacor • 14425 Clark Avenue, City of Industry, CA 91745
• Teléfono: 833-353-5483 (EE. UU.), 844-509-4659 (CANADÁ) • Fax: (626) 403-3130 • www.dacor.com

dacor

Manuel d'utilisation

Cuisinière Pro bicomcombustible

DOP30*940**

⚠ AVERTISSEMENT

Ne faites jamais fonctionner la surface de cuisson supérieure de cet appareil sans surveillance

- **Ne pas tenir compte de cet avertissement peut causer un incendie, une explosion ou vous exposer à un risque de brûlure pouvant entraîner des dégâts matériels, des blessures ou la mort.**
- **En cas d'incendie, éloignez-vous de l'appareil et appelez immédiatement les pompiers.**

N'ESSAYEZ PAS D'ÉTEINDRE UN FEU D'HUILE OU DE GRAISSE AVEC DE L'EAU.

AVERTISSEMENT : Le non-respect des informations contenues dans ce manuel peut provoquer un incendie ou une explosion et entraîner des dommages matériels, des blessures ou la mort.

- Veillez à **NE PAS** conserver ni utiliser d'essence ou d'autres vapeurs ou liquides inflammables près de cet appareil ou de tout autre appareil.
- **QUE FAIRE SI VOUS SENTEZ UNE ODEUR DE GAZ**
 - **NE PAS** essayer de mettre en marche un appareil.
 - **NE PAS** toucher aux interrupteurs électriques.
 - **NE PAS** utiliser de téléphone dans votre bâtiment.
 - Appelez immédiatement votre fournisseur de gaz depuis le téléphone d'un voisin et suivez les instructions du fournisseur de gaz.
 - Si votre compagnie de gaz n'est pas joignable, appelez les pompiers.
- L'installation et l'entretien doivent être effectués par un installateur qualifié, un organisme de service ou la compagnie de gaz.

DISPOSITIF ANTI-BASCULEMENT

⚠ AVERTISSEMENT

Afin de réduire le risque de basculement de la cuisinière, celle-ci doit être sécurisée par un dispositif antibasculement correctement installé. **APRÈS L'INSTALLATION DE LA CUISINIÈRE, VÉRIFIEZ QUE LE DISPOSITIF ANTIBASCULEMENT A ÉTÉ CORRECTEMENT INSTALLÉ ET VÉRIFIEZ QUE LE DISPOSITIF ANTIBASCULEMENT EST CORRECTEMENT ENGAGÉ.** Reportez-vous au manuel d'installation pour obtenir des instructions.

- a) Si le dispositif antibasculement n'est pas installé, un enfant ou un adulte peut faire basculer la cuisinière et être tué.
- b) Vérifiez que le dispositif antibasculement a été correctement installé et engagé à l'arrière droit (ou arrière gauche) du fond de la cuisinière.
- c) Si vous déplacez la cuisinière puis la remettez en place, assurez-vous que le dispositif antibasculement est réengagé à l'arrière droit ou gauche du fond de la cuisinière.
- d) N'utilisez pas la cuisinière sans que le dispositif antibasculement soit en place et engagé.
Le non-respect de cette consigne peut entraîner la mort ou des brûlures graves chez les enfants et les adultes.



⚠ AVERTISSEMENT

Ne marchez pas, ne vous appuyez pas et ne vous asseyez pas sur la porte du four de la cuisinière. Vous pouvez faire basculer la cuisinière et provoquer des brûlures ou des blessures graves.

Vérifiez que le dispositif anti-basculement est correctement installé. Ensuite, pour vérifier que le dispositif anti-basculement est engagé, saisissez le bord supérieur arrière de la cuisinière et essayez soigneusement de la faire basculer vers l'avant. Le dispositif anti-basculement devrait empêcher la cuisinière de basculer vers l'avant de plus de quelques centimètres.

Si vous retirez la cuisinière du mur pour une raison quelconque, assurez-vous que le dispositif anti-basculement est bien engagé lorsque vous repoussez la cuisinière contre le mur. Dans le cas contraire, la cuisinière risque de basculer et de provoquer des blessures si un enfant ou vous-même vous tenez debout, vous asseyez ou vous appuyez sur une porte ouverte.

Ne retirez jamais complètement les pieds de nivellement. Si vous les retirez, la cuisinière ne sera pas correctement fixée au dispositif antibasculement.

Avis réglementaire

1. Avis relatif à l'appareil radio

ATTENTION

Tous les changements ou modifications qui ne sont pas expressément approuvés par la partie responsable de la conformité peuvent annuler le droit de l'utilisateur de se servir de l'équipement.

L'équipement de communication à distance installé sur ce produit est conforme à la section 15 des règlements de la FCC ainsi qu'à la norme RSS d'exemption de licence d'Innovation, Science et Développement économique Canada. L'utilisation est soumise aux deux conditions suivantes :

- 1) Cet équipement ne doit pas causer d'interférences néfastes, et
- 2) Cet équipement doit accepter toute interférence reçue, y compris celles pouvant provoquer un fonctionnement non souhaité.

Pour les produits disponibles sur les marchés américains/canadiens, seuls les canaux 1~11 sont disponibles. Vous ne pouvez pas sélectionner d'autres canaux.

1. DÉCLARATION relative à l'appareil radio :

Cet appareil a été testé et déclaré conforme aux limites pour appareils numériques de classe B, selon la section 15 des règlements de la FCC et la norme canadienne ICES-003. Ces limites sont conçues pour fournir une protection raisonnable contre les interférences nuisibles dans une installation résidentielle.

Cet équipement génère, utilise et peut émettre de l'énergie de fréquence radio et, s'il n'est pas installé et utilisé conformément aux instructions, peut causer des interférences nuisibles aux communications radio. Cependant, il n'y a aucune garantie que des interférences ne se produiront pas dans une installation particulière. Si cet équipement provoque des interférences nuisibles à la réception de la radio ou de la télévision, ce qui peut être déterminé en éteignant et en rallumant l'équipement, il est recommandé à l'utilisateur d'essayer de corriger ces interférences en prenant une ou plusieurs des mesures suivantes :

- Réorienter ou déplacer l'antenne de réception
- Augmenter la distance entre l'appareil et le récepteur
- Connecter l'équipement à une prise de courant située sur un circuit différent de celui de la radio ou de la télévision
- Consulter le revendeur ou un technicien radio/TV expérimenté pour obtenir de l'aide.

DÉCLARATION SUR L'EXPOSITION AU RAYONNEMENT :

Cet équipement est conforme aux limites de la FCC et RSS-102 de l'IC établies pour un environnement non contrôlé. Cet équipement doit être installé et utilisé de manière à ce qu'il y ait au moins 20 cm (8 po) entre le radiateur et votre corps. Cet appareil et son/ses antenne(s) ne doivent pas être colocalisés ou utilisés en conjonction avec une autre antenne ou un autre émetteur.



À nos clients fidèles :

Nous vous félicitons d'avoir acheté les tout derniers produits Dacor^{MD}! La combinaison unique de nos caractéristiques, de notre style et de nos performances fait de nous un atout majeur pour votre maison.

Pour vous familiariser avec les commandes, les fonctions et le plein potentiel de votre nouvelle cuisinière Dacor, lisez attentivement ce manuel, en commençant par **Avant de commencer** (p. 9).

Les appareils Dacor sont conçus et fabriqués avec qualité et fierté, sans jamais sortir du cadre des valeurs de notre entreprise. Si vous rencontrez un problème avec votre cuisinière, consultez d'abord **Dépannage** (p. 98 - 106), où vous trouverez des suggestions et des réponses qui peuvent éviter un appel de service.

Les commentaires précieux de nos clients nous aident à améliorer continuellement nos produits et services, alors n'hésitez pas à contacter notre équipe d'assurance client pour obtenir de l'aide pour tous vos besoins en matière de support produit.

Assurance client de Dacor

- **États-Unis**
Samsung Electronics America, Inc.
85 Challenger Road
Ridgefield Park, NJ 07660
- **Canada**
Samsung Electronics Canada Inc.
2050 Derry Road West, Mississauga,
Ontario L5N 0B9 Canada

Téléphone : 833-353-5483 (États-Unis), 844-509-4659 (Canada)

Heures d'ouverture : Du lundi au vendredi, de 8 h à 20 h, heure du Pacifique

Site Internet : www.dacor.com

Merci d'avoir choisi Dacor pour votre maison. Nous sommes une entreprise créée par des familles pour des familles, et nous nous engageons à servir la vôtre. Nous sommes convaincus que votre nouvelle cuisinière Dacor vous offrira des performances de haut niveau et vous permettra de profiter pleinement de votre appareil pendant des décennies.

Cordialement,

The Dacor Customer Assurance Team

Contenu

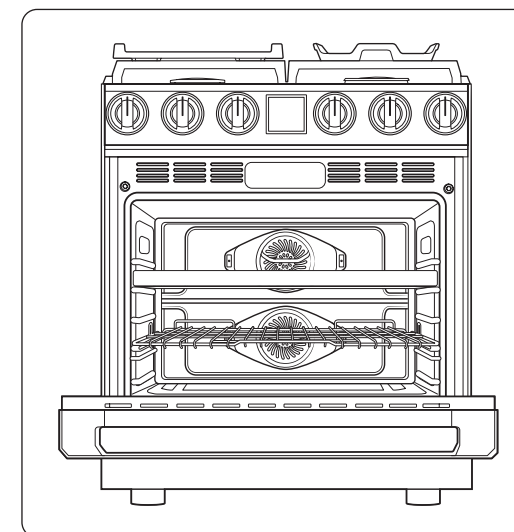
Avant de commencer	9
Important	9
À propos de ce manuel	9
Remarque importante destinée à l'installateur	9
Remarque importante destinée à l'utilisateur	10
Remarque importante à l'intention du réparateur	10
Conseils pour économiser l'énergie	10
Événement du four/événement de refroidissement	11
Consignes de sécurité importantes	12
Lisez toutes les instructions avant d'utiliser cet appareil	12
Symboles utilisés dans ce manuel	12
Avertissement relatif à la proposition 65 de l'État de Californie	12
Commonwealth du Massachusetts	12
Sécurité générale	13
Sécurité incendie	14
Sécurité en matière de gaz	14
Sécurité électrique et mise à la terre	15
Sécurité en matière d'emplacement	16
Sécurité de la table de cuisson	17
Sécurité du four	19
Sécurité du four auto-nettoyant	20
Aperçu	21
Disposition	21
Panneaux de commande et affichages	21
Panneau de commande du four	22
Ce qui est inclus	23
Utilisation de la table de cuisson	24
Brûleurs	24
Allumage	25
Ustensiles de cuisine	27
Grilles	29
Grill (accessoires supplémentaires)	30
Anneau de wok	31
Utilisation du four	32
Réglages de base - Horloge, format de l'heure	32
Minuterie de cuisine	33
Cuisson minutée	34
Caractéristiques du four	35

Contenu

Instructions relatives aux fonctions de base	38
Utilisation des grilles du four	40
Utilisation de la grille coulissante	43
Mode Air fry (friture par application d'air)	46
Mode cuisson à la pierre	51
Utilisation de la fonction spéciale	52
Mode air sous vide	54
Sonde de température	58
Fonction de nettoyage	61
Green cleaning (nettoyage écologique)	65
Utilisation de la fonction Sabbath (Sabbath)	67
Utilisation de la fonction Smart Connect (commande intelligente)	69
Pour démarrer le four à distance	70
Sécurité enfants	71
Réglages	72
Utilisation de la fonction de contrôle de la hotte	75
Entretien et maintenance - Table de cuisson	77
Nettoyage de la surface de la table de cuisson	77
Surfaces en acier inoxydable	78
Boutons de commande	79
Grilles et composants des brûleurs	80
Chapeaux et têtes de brûleur	81
Bases du brûleur	81
Électrodes	82
Remplacement de la tête et du chapeau du brûleur	83
Entretien et maintenance - Four	85
Entretien et nettoyage du four	85
Supports à échelle	90
Remplacement des supports à échelle	91
Retrait des portes du four	93
Réinstallation des portes du four	95
Éclairage du four	97
Dépannage	98
Codes d'information	107
Garantie et service	109
Garantie	109
Annonce d'une source ouverte	112

Avant de commencer

Important



- La conception générale ou les accessoires peuvent différer selon le modèle.

Installateur

- Pour des raisons de sécurité et pour minimiser les problèmes, lisez attentivement ce manuel avant de commencer l'installation. Laissez ce manuel à l'utilisateur.
- Inscrivez les numéros de modèle/ de série de l'appareil dans ce manuel pour pouvoir vous y référer en cas d'entretien ou de réparation.

Utilisateur

- Conservez ce manuel pour votre référence personnelle et celle des inspecteurs, du personnel de service, etc.

Nettoyez minutieusement le four avant de l'utiliser pour la première fois. Ensuite, retirez les accessoires, réglez le four sur Bake (cuisson traditionnelle), puis faites fonctionner le four à 425 °F pendant 1 heure. Il y aura une odeur distinctive. C'est normal.

Assurez-vous que votre cuisine est bien ventilée pendant cette période de conditionnement.

À propos de ce manuel

LISEZ ENTIÈREMENT ET ATTENTIVEMENT CES INSTRUCTIONS.

Remarque importante destinée à l'installateur

- Lisez toutes les instructions contenues dans ces instructions d'installation avant d'installer l'appareil.
- Retirez tous les matériaux d'emballage des compartiments de l'appareil avant de raccorder l'alimentation électrique et en gaz à l'appareil.
- Respectez tous les codes et ordonnances en vigueur.
- Assurez-vous de laisser ces instructions à l'utilisateur.
- L'installation de cet appareil requiert des compétences mécaniques de base.
- L'installateur est responsable de toute mauvaise installation.
- La défaillance du produit due à une mauvaise installation n'est pas couverte par la garantie.

Démarrer

Remarque importante destinée à l'utilisateur

Conservez ces instructions avec votre manuel d'utilisation pour référence future.

- Comme pour l'utilisation de tout appareil générant de la chaleur, vous devez respecter certaines précautions de sécurité.
- Assurez-vous que votre appareil est installé et mis à la terre correctement par un installateur ou un technicien qualifié.
- Assurez-vous que les revêtements muraux autour de la cuisinière peuvent résister à la chaleur générée par l'appareil.
- L'espace de rangement au-dessus des brûleurs de la cuisinière doit être d'au moins 76,2 cm (30 po).

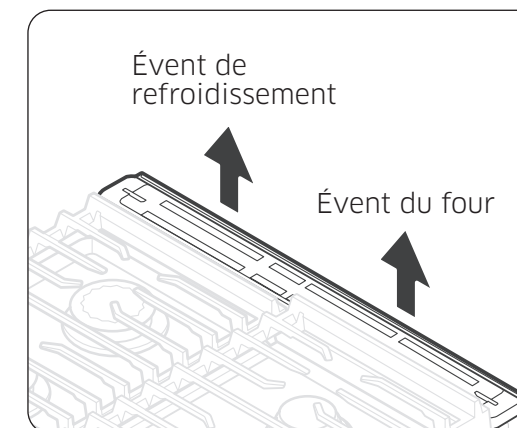
Remarque importante à l'intention du réparateur

Le schéma électrique est joint à l'intérieur du mini manuel.

Conseils pour économiser l'énergie

- Pendant la cuisson, la porte du four doit rester fermée, sauf lorsque vous retournez les aliments. N'ouvrez pas la porte fréquemment pendant la cuisson afin de maintenir la température du four et d'économiser de l'énergie.
- Si le temps de cuisson est supérieur à 30 minutes, vous pouvez éteindre le four 5 à 10 minutes avant la fin du temps de cuisson pour économiser de l'énergie. La chaleur résiduelle terminera le processus de cuisson.
- Pour économiser de l'énergie et réduire le temps nécessaire au réchauffage du four, planifiez l'utilisation du four pour éviter de l'éteindre entre la cuisson d'un article et celle du suivant.
- Chaque fois que cela est possible, faites cuire plus d'un plat à la fois.

Évent du four/évent de refroidissement



L'évent du four et l'évent de refroidissement sont tous deux situés à l'arrière de la cuisinière. Une bonne circulation de l'air permet d'éviter les problèmes de combustion et d'assurer de bonnes performances.

- N'obstruez pas l'évent ou ses environs avec des objets.
- Faites attention lorsque vous placez des objets à proximité de l'évent. La vapeur chaude peut les faire surchauffer ou fondre.
- Soyez prudent lorsque vous utilisez le four, quel que soit son mode. Le four laisse échapper de l'air très chaud par l'évent.

Consignes de sécurité importantes

Lisez toutes les instructions avant d'utiliser cet appareil

- Tout appareil électrique et à gaz comportant des pièces mobiles peut être dangereux. Lisez attentivement les informations importantes relatives à la sécurité dans ce manuel. Les instructions doivent être suivies pour minimiser les risques de dommages matériels, de blessures ou de décès.
- Conservez ce manuel dans un endroit facilement accessible afin de pouvoir vous y référer en cas de besoin.

Symboles utilisés dans ce manuel

AVERTISSEMENT

Risques ou manipulations dangereuses susceptibles d'entraîner des blessures graves, voire mortelles.

ATTENTION

Risques ou manipulations dangereuses susceptibles d'entraîner des blessures légères ou des dégâts matériels.

REMARQUE

Conseils et instructions utiles

Ces symboles d'avertissement sont destinés à prévenir les dommages matériels et les blessures corporelles. Respectez-les scrupuleusement.

Avertissement relatif à la proposition 65 de l'État de Californie

AVERTISSEMENT

Cancer et troubles de la fertilité - www.P65Warnings.ca.gov

Commonwealth du Massachusetts

Ce produit doit être installé par un plombier agréé ou un installateur de gaz qualifié ou agréé par l'État du Massachusetts. Lorsque vous utilisez des vannes à bille pour couper le gaz, il faut utiliser le type à poignée en T. Il est interdit de raccorder en série plusieurs conduites de gaz flexibles.

Sécurité générale

AVERTISSEMENT

Pour réduire les risques d'incendie, d'électrocution, de blessures corporelles ou de décès, respectez les précautions suivantes.

- **Ne touchez pas** aux surfaces, composants ou mécanismes de la cuisinière pendant ou immédiatement après la cuisson.
- **Apprenez** où et comment fermer la valve qui alimente la cuisinière en gaz.
- **Assurez-vous** que le **dispositif antibasculement** est correctement installé sur la cuisinière. Consultez les instructions d'installation pour plus d'informations.
- **Ne laissez pas les enfants s'approcher** de la cuisinière. Ne laissez pas les enfants pénétrer dans la cuisinière ou monter dessus. Ne laissez pas les enfants jouer avec la cuisinière ou avec des parties de celle-ci. Ne laissez pas les enfants sans surveillance dans la cuisine lorsque la cuisinière est en marche. Pour des raisons de sécurité, nous vous recommandons d'utiliser la fonction de verrouillage des commandes et des portes.
- **Retirez** tous les emballages avant d'utiliser la cuisinière afin d'éviter que ce matériel ne prenne feu. Conservez tous les emballages hors de portée des enfants. Jetez l'emballage de façon appropriée dès que la cuisinière est déballée.
- **Ne laissez pas** d'objets susceptibles d'intéresser les enfants sur la cuisinière ou à proximité.
- **N'utilisez pas** la cuisinière si elle est endommagée de quelque manière que ce soit, si elle fonctionne mal ou s'il manque des pièces.
- **N'utilisez pas** la cuisinière comme chauffage d'appoint. Utilisez la cuisinière uniquement pour la cuisson.
- **N'utilisez pas** de nettoyeurs pour four ou de revêtements pour four dans ou autour d'une partie du four.
- **Utilisez** uniquement des maniques sèches.
- **N'utilisez pas** la cuisinière pour chauffer des récipients alimentaires scellés.
- **Ne frappez pas** la vitre du four.
- Lors de la mise au rebut de la cuisinière, **coupez le cordon d'alimentation** et **retirez** la porte pour éviter que les enfants et les animaux ne s'y trouvent piégés.
- **Débranchez** la cuisinière avant de procéder au service/à l'entretien.
- **Veillez** à ce que la viande et la volaille soient bien cuites. La viande doit toujours être cuite à une température interne de 71 °C (160 °F). La volaille doit toujours être cuite à une température interne de 82 °C (180 °F).
- **N'essayez pas** de faire fonctionner les brûleurs de la cuisinière à allumage électrique pendant une panne de courant.
- Gardez la zone de l'appareil exempte de matériaux combustibles, d'essence et d'autres vapeurs et liquides inflammables.
- **Apprenez** aux enfants qu'il ne faut pas toucher à la cuisinière ou à n'importe quelle partie de celle-ci ni jouer avec ses commandes. Nous vous recommandons d'utiliser la fonction de verrouillage de la commande et de la porte pour réduire le risque d'une mauvaise utilisation par des enfants.
- Un rideau d'air ou une autre hotte de cuisine suspendue, qui fonctionne en soufflant un flux d'air vers le bas sur une cuisinière, ne doit pas être utilisé avec une cuisinière à gaz à moins que la hotte et la cuisinière aient été conçues et testées conformément à la norme sur les cuisinières à gaz domestiques ANSI Z21.1-CSA1.1, et homologuées par un laboratoire d'essai indépendant pour une utilisation combinée.

Consignes de sécurité importantes

Sécurité incendie

⚠ AVERTISSEMENT

Pour réduire les risques d'incendie, d'électrocution, de blessure corporelle ou de décès, observez les mesures de précaution énoncées ci-après :

- **Veillez à ne pas stocker/placer/utiliser** de matériaux combustibles (par exemple, papier, plastique, maniques, linge de maison, essence, alcool) à proximité de la cuisinière.
- **Ne portez pas** de vêtements amples ou flottants pendant l'utilisation de la cuisinière.
- Pour éviter l'accumulation de graisse, **nettoyez régulièrement** les fentes d'aération.
- **Ne laissez pas** les maniques ou autres matériaux inflammables toucher un élément chauffant. N'utilisez pas de serviette ou tout autre tissu épais comme manique.
- **N'éteignez pas** un feu de graisse avec de l'eau. Au lieu de cela, éteignez la source de chaleur et étouffez le feu avec un couvercle hermétique ou utilisez un extincteur polyvalent, chimique sec ou un extincteur à mousse.
- **Ne chauffez pas** des récipients alimentaires non ouverts. L'accumulation de pression peut provoquer l'éclatement des conteneurs et entraîner des blessures.
- Ne pas utiliser le four pour le stockage. Le papier et les autres articles inflammables stockés dans le four peuvent s'enflammer.
- **Ne placez pas** de matériaux ou d'objets combustibles autour de la cuisinière.

Sécurité en matière de gaz

⚠ AVERTISSEMENT

Pour réduire les risques d'incendie, d'électrocution, de blessure corporelle ou de décès, observez les mesures de précaution énoncées ci-après :

Si vous sentez une odeur de gaz :

- **Fermez la valve** et n'utilisez pas la cuisinière.
- **N'allumez pas** d'allumettes, de bougie ou de cigarette.
- **N'allumez pas** d'appareils électriques ou à gaz.
- **Ne touchez pas** les interrupteurs électriques ou ne branchez pas le cordon d'alimentation.
- **Ne pas** utiliser de téléphone dans votre bâtiment.
- **Faites évacuer** tout le monde du bâtiment.
- **Appelez immédiatement** votre fournisseur de gaz avec le téléphone d'un voisin. Suivez les instructions de la compagnie de gaz.
- Si votre fournisseur de gaz n'est pas joignable, appelez les pompiers.

Vérification des fuites de gaz

La vérification de la présence de fuites dans l'appareil doit être effectuée conformément aux instructions du fabricant. **N'utilisez pas** de flamme pour vérifier s'il y a des fuites de gaz. Avec un pinceau, appliquez un mélange d'eau et de savon tout autour de la surface en question. S'il y a une fuite de gaz, il y aura des petites bulles dans l'eau savonneuse. En cas de doute, demandez l'aide d'un professionnel.

Sécurité électrique et mise à la terre

⚠ AVERTISSEMENT

Pour réduire les risques d'incendie, d'électrocution, de blessure corporelle ou de décès, observez les mesures de précaution énoncées ci-après :

- Branchez la cuisinière sur une prise de courant à 4 broches avec mise à la terre.
- **Ne retirez pas** la broche de mise à la terre.
- **N'utilisez pas** d'adaptateur ou de rallonge.
- **N'utilisez pas** une prise ou un cordon d'alimentation endommagés, ni une prise électrique mal fixée.
- **Ne modifiez pas** la fiche, le cordon ou la prise d'alimentation.
- **Ne placez pas** de fusible dans un circuit neutre ou de mise à la terre.
- Utilisez un disjoncteur dédié de 240 Vac, 60-Hz, 40-Amp pour cette cuisinière. Un fusible à retardement ou un disjoncteur est recommandé. Ne branchez pas plus d'un appareil sur ce circuit.
- **Ne branchez pas** le fil de terre à des conduites en plastique de plomberie, de gaz ou d'eau chaude.
- Cette cuisinière **doit être mise à la terre**. En cas de dysfonctionnement ou de panne de la cuisinière, la mise à la terre réduit le risque de choc électrique en fournissant un chemin sûr pour le courant. Le cordon d'alimentation de cette cuisinière est muni d'une fiche de mise à la terre, qui doit être fermement branchée dans une prise de courant correctement installée et mise à la terre conformément aux réglementations locales. Si vous n'êtes pas sûr que votre prise électrique est correctement mise à la terre, faites-la vérifier par un électricien agréé.
- Cette cuisinière est fournie avec une fiche à quatre broches avec mise à la terre. Ce cordon doit être branché dans une prise à 4 broches correspondante et mise à la terre, conforme à tous les codes et règlements locaux. Si les codes permettent l'utilisation d'un fil de terre séparé, nous recommandons qu'un électricien qualifié détermine le chemin approprié pour ce fil de terre.
- L'alimentation électrique de la cuisinière doit être conforme aux codes locaux. En l'absence de codes locaux, il doit être conforme à la norme ANSI/NFPA n° 70 - Dernière révision (pour les États-Unis) ou au Code canadien de l'électricité CSA C22.1 - Dernières révisions.
- Le propriétaire de la cuisinière doit s'assurer qu'il dispose d'un service électrique approprié.

Consignes de sécurité importantes

Sécurité en matière d'emplacement

⚠ AVERTISSEMENT

Pour réduire les risques d'incendie, d'électrocution, de blessures corporelles ou de décès, respectez les précautions suivantes.

- Cette cuisinière est réservée à un usage intérieur et domestique. **N'installez pas** la cuisinière à l'extérieur ou dans un endroit où il sera exposé aux intempéries/à l'eau ou au vent/à de forts courants d'air.
- Choisissez un sol plat, bien construit et capable de supporter le poids de la cuisinière. Les revêtements de sol synthétiques, comme le linoléum, doivent résister à des températures de 82 °C (180 °F) sans rétrécir, se déformer ou se décolorer. **N'installez pas** la cuisinière directement sur la moquette intérieure de la cuisine, sauf si une feuille de contreplaqué de ¼ pouce ou un isolant similaire est placé entre la cuisinière et la moquette.
- Pour une bonne ventilation de la cuisinière, assurez-vous que les orifices de ventilation ne sont pas bloqués ou recouverts et qu'il y a suffisamment d'espace libre en haut, à l'arrière, sur les côtés et sous la cuisinière. Les orifices de ventilation permettent l'échappement nécessaire au bon fonctionnement de l'appareil, à une combustion correcte et à l'obtention des résultats de cuisson escomptés. Le fait d'obstruer ou de couvrir les événements peut entraîner une combustion incorrecte, ce qui pourrait provoquer des fuites de gaz et un incendie.
- **Assurez-vous** que les revêtements muraux autour de la cuisinière peuvent résister à la chaleur jusqu'à 200 °F (93 °C) générée par la cuisinière.
- Il faut éviter de ranger les armoires au-dessus de la surface de la cuisinière. S'il est nécessaire de disposer des armoires au-dessus de la cuisinière, prévoyez un espace minimum de 76,2 cm (30 po) entre la surface de cuisson et le bas des armoires ou installez une hotte qui dépasse horizontalement d'au moins 12,7 cm (5 po) le bas des armoires.
- **Placez** la cuisinière à l'écart des voies de circulation de la cuisine et des endroits exposés aux courants d'air afin d'éviter une mauvaise circulation de l'air.
- Si la cuisinière est située près d'une fenêtre, ne suspendez JAMAIS de longs rideaux ou des stores en papier sur cette fenêtre. Ils pourraient passer par-dessus les brûleurs de surface et s'enflammer, engendrant un risque d'incendie.

Sécurité de la table de cuisson

⚠ AVERTISSEMENT

Pour réduire les risques d'incendie, d'électrocution, de blessure corporelle ou de décès, observez les mesures de précaution énoncées ci-après :

- **Assurez-vous** que tous les brûleurs sont éteints lorsqu'ils ne sont pas utilisés.
- **N'utilisez pas** de papier aluminium pour recouvrir les grilles ou toute autre partie de la table de cuisson. Cela peut provoquer un empoisonnement au monoxyde de carbone. Les doublures en aluminium peuvent également retenir la chaleur et présenter un risque d'incendie. **Ne laissez pas** les brûleurs sans surveillance à température moyenne ou élevée.
- Avant d'allumer, assurez-vous que tous les chapeaux des brûleurs sont bien en place et que tous les brûleurs sont parfaitement horizontaux.
- **Utilisez toujours** la position Lite pour allumer les brûleurs et assurez-vous que les brûleurs se sont allumés. Si l'allumage échoue, tournez le bouton sur **Off (arrêt)** et attendez que le gaz se dissipe avant de rallumer le brûleur.
- Lorsque vous réglez un brûleur sur mijotage, **il ne faut pas tourner** le bouton rapidement. Assurez-vous que la flamme reste allumée.
- Pour chauffer des aliments, vous devez disposer d'une hotte de ventilation. La hotte doit être allumée lorsque vous faites chauffer des aliments.
- Avant de retirer ou de changer d'ustensile de cuisson, éteignez les brûleurs.
- Retirez les aliments et les ustensiles de cuisine immédiatement après la cuisson.
- Avant de retirer une partie du brûleur pour le nettoyer, assurez-vous que la cuisinière est éteinte et complètement refroidie.
- Après nettoyage l'anneau du brûleur, assurez-vous qu'il est complètement sec avant de le réassembler.
- **Assurez-vous** que la marque de l'étincelle sur l'anneau du brûleur double est placé à côté de l'électrode lors de l'assemblage.
- Pour éviter tout empoisonnement au monoxyde de carbone, **ne versez pas** d'eau dans le puits de la table de cuisson pendant le nettoyage.
- Choisissez des ustensiles de cuisine conçus pour la cuisson sur la table de cuisson. Utilisez des ustensiles de cuisson recommandés dont la taille ne dépasse pas celle des grilles de la table de cuisson.
- Pour éviter la décoloration ou la déformation des ustensiles de cuisson ou une intoxication au monoxyde de carbone, n'utilisez pas d'ustensiles de cuisson beaucoup plus grands que la grille.
- Assurez-vous que les poignées des ustensiles de cuisson sont tournées vers le côté ou l'arrière de la table de cuisson, mais pas au-dessus des autres brûleurs de surface ou du bord avant de la table de cuisson.

Consignes de sécurité importantes

- Ne vous tenez pas directement au-dessus d'une casserole lorsque vous faites frire des aliments.
- Faites toujours chauffer les huiles de friture lentement et surveillez-les pendant qu'elles chauffent. Si vous devez faire frire des aliments à feu vif, surveillez attentivement le processus de cuisson. Si vous devez combiner des graisses ou des huiles pour la friture, mélangez-les avant de les chauffer.
- Utilisez un thermomètre de friture lorsque cela est possible pour ne pas chauffer l'huile au-delà de son point de fumée.
- Utilisez une quantité minimale d'huile pour la cuisson à la poêle ou la friture. Ne faites pas frire des aliments congelés, glacés, froids ou humides.
- Avant de déplacer des ustensiles de cuisine remplis de graisses ou d'huiles, assurez-vous qu'ils ont complètement refroidi.
- Pour éviter tout risque de débordement après ébullition, laissez toujours les liquides chauds reposer au moins 20 secondes après avoir éteint le brûleur afin que leur température se stabilise. En cas de brûlure, suivez ces instructions de premiers secours :
 - Plongez la zone échaudée dans de l'eau fraîche pendant au moins 10 minutes.
 - N'appliquez pas de crèmes, d'huiles ou de lotions.
 - Couvrez avec un tissu propre et sec.
- Placez la casserole au centre de la grille. Ne placez pas de casserole de plus de 9 po de diamètre sur les brûleurs arrière. Si vous placez une casserole surdimensionnée dans la mauvaise position, elle pourrait perturber la circulation d'air nécessaire et faire en sorte que la flamme du brûleur crache et brûle de manière inefficace.
- **Ne portez pas** de vêtements amples ou flottants pendant l'utilisation de la cuisinière. Ils pourraient s'enflammer et vous brûler s'ils touchent un brûleur de surface.
- **Ne laissez jamais** d'objets en plastique sur la table de cuisson. L'air chaud provenant de la fente d'aération peut faire fondre ou enflammer des articles en plastique ou provoquer une accumulation de pression dangereuse dans des récipients en plastique fermés. Le plastique fondu peut obstruer les événements situés à l'arrière de la cuisinière. L'obstruction des événements peut provoquer une combustion incorrecte, entraînant des fuites de gaz et un incendie. Vous risquez de vous brûler gravement si vous touchez les surfaces situées près de l'événement pendant que le four fonctionne.
- **Ne placez pas** d'appareils portables ou tout autre objet autre que des ustensiles de cuisine sur la table de cuisson. Des dommages ou un incendie pourraient se produire si la table de cuisson est chaude.
- **Vérifiez toujours** que les commandes sont sur **Off** (arrêt) et que les grilles sont froides avant de les retirer pour éviter tout risque de brûlure.
- **Ne placez pas** de matériaux ou d'objets combustibles autour de la cuisinière.
- Ne touchez pas les brûleurs lorsqu'ils sont allumés. Éteignez les brûleurs lorsque vous changez une casserole ou une marmite.

Sécurité du four

⚠ AVERTISSEMENT

Pour réduire les risques d'incendie, d'électrocution, de blessures corporelles ou de décès, respectez les précautions suivantes.

- **Ne pas utiliser** le four à des fins autres que la cuisson, comme le séchage du linge ou le stockage. Utilisez le four uniquement pour la cuisson.
- **Assurez-vous** que les grilles du four sont placées au même niveau de chaque côté.
- **Ne pas endommager, retirer ou nettoyer** le joint de la porte.
- **Ne pas pulvériser** d'eau sur la vitre du four lorsque celui-ci est allumé ou juste après l'avoir éteint.
- Tenez-vous à l'écart lorsque vous ouvrez la porte du four.
- Veillez à ce qu'il n'y ait pas d'accumulation de graisse dans le four.
- Avant de repositionner les grilles du four, **assurez-vous que** le four est complètement froid.
- **Ne pas mettre** d'objets en plastique à l'intérieur du four.
- Pour éviter d'endommager les boutons de commande des brûleurs ou la commande du four, faites toujours cuire et/ou griller les aliments avec la porte du four fermée.
- **Ne pas** placer la viande trop près de l'élément de gril. Coupez l'excès de graisse avant de faire griller.
- Suivez les instructions du fabricant en cas d'utilisation de sacs de cuisson ou de rôtissage dans le four.
- **Ne recouvrez JAMAIS** les fentes, les trous ou les passages de la sole du four ou une grille entière avec un matériau tel qu'une feuille d'aluminium. Cela bloque la circulation de l'air dans le four et peut provoquer une intoxication au monoxyde de carbone. Les doublures en aluminium peuvent également retenir la chaleur et présenter un risque d'incendie.

Consignes de sécurité importantes

Sécurité du four auto-nettoyant

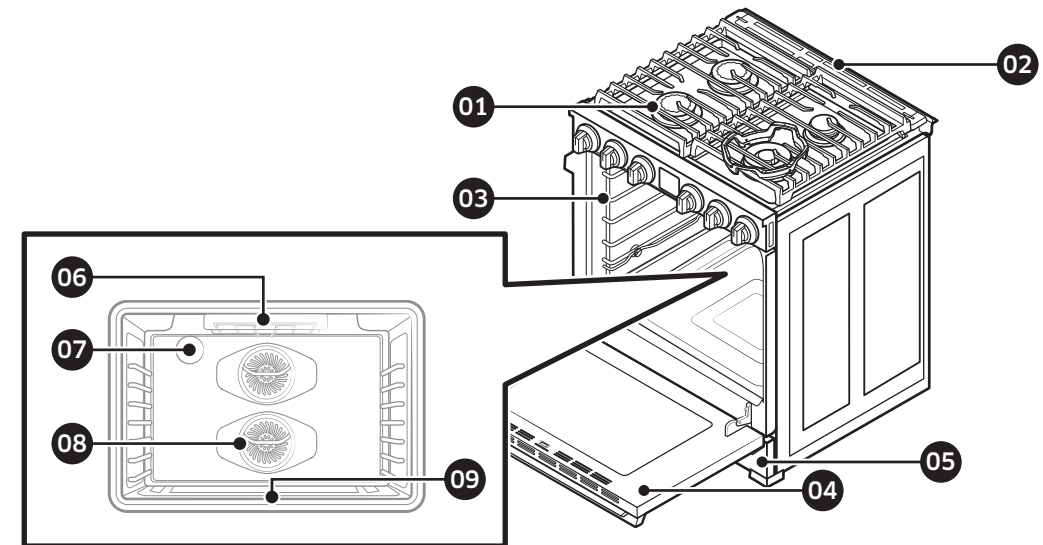
⚠ AVERTISSEMENT

Pour réduire les risques d'incendie, d'électrocution, de blessures corporelles ou de décès, respectez les précautions suivantes.

- La fonction d'autonettoyage fait fonctionner le four à des températures suffisamment élevées pour brûler les salissures alimentaires dans le four. La cuisinière est extrêmement chaude pendant un cycle d'autonettoyage. **Ne touchez** aucune surface de la cuisinière pendant un cycle d'autonettoyage.
- Tenez les enfants éloignés du four pendant un cycle d'autonettoyage.
- Avant de débuter un cycle d'autonettoyage, retirez tous les objets non fixés du four et essuyez toutes les surfaces du four.
- Après un cycle d'autonettoyage, tenez-vous à l'écart lorsque vous ouvrez la porte du four.
- En cas de dysfonctionnement du cycle d'autonettoyage, éteignez le four, coupez le disjoncteur et contactez un technicien qualifié.
- Certains oiseaux sont extrêmement sensibles aux fumées qui se dégagent pendant le cycle d'autonettoyage d'un four. Déplacez les oiseaux dans une autre pièce bien ventilée.

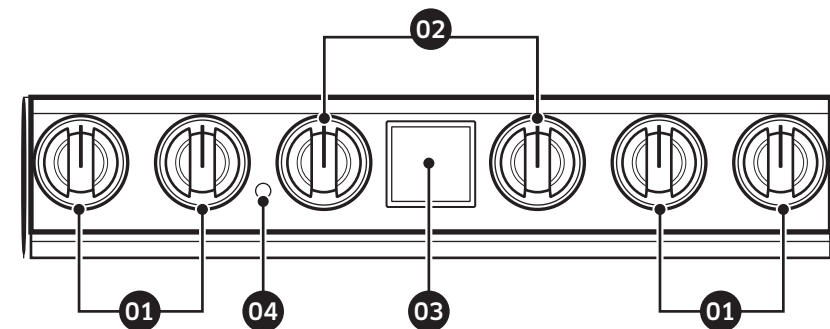
Aperçu

Disposition



01 Brûleurs de surface	02 Couvercle de l'évent du four
03 Supports à échelle	04 Porte de four amovible
05 Tiroir de rangement	06 Chauffage du four grill
07 Éclairage du four (1 emplacement)	08 Ventilateur de convection
09 Chauffage du four de cuisson	

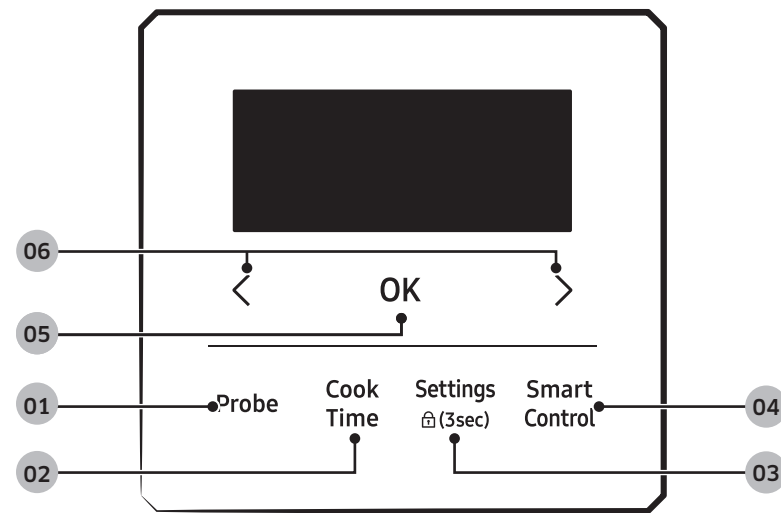
Panneaux de commande et affichages



01 Boutons de brûleurs de surface (4 pcs)	02 Boutons des brûleurs du four (mode, température) (2 pièces)
03 Panneau de commande du four	04 Bouton d'éclairage du four

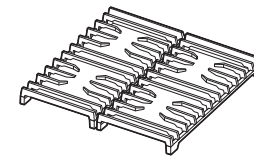
Aperçu

Panneau de commande du four

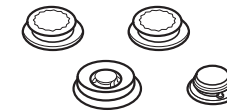


- 01 Sonde : Active le mode sonde de température.
- 02 Temps de cuisson : Permet de régler le temps de cuisson.
- 03 Réglages : Permet d'afficher les options utilisateur disponibles.
- 04 Commande intelligente : Réglez la fonction de commande intelligente sur On (activé) / Off (désactivé).
- 05 OK : Démarrer une fonction ou régler l'heure.
- 06 <, > : Sélectionner une fonction ou régler l'heure.

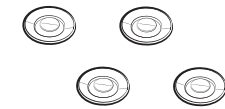
Ce qui est inclus



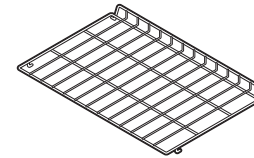
Grilles (2)



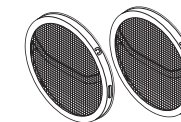
Têtes de brûleur (4) et chapeaux de brûleur (4)



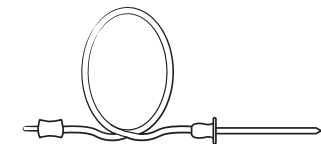
Chapeaux de brûleur en laiton(4)



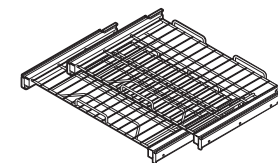
Grille plate (1)



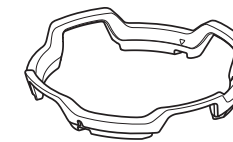
Filtres à convection (2)



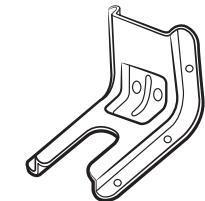
Sonde de température (1)



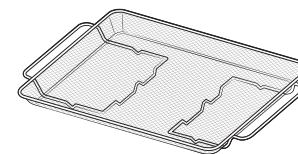
Grille de glissement (2)



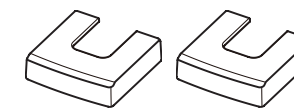
Anneau de wok (1)



Support anti-basculement (1)



Plateau pour friture par application d'air (1)



Couvre-pieds avant (2)

La cuisinière (certains modèles) est fournie avec deux types différents de chapeaux de brûleur (laiton et porcelaine) pour répondre aux préférences du client. Le laiton se décolore à l'usage; la décoloration n'affecte pas le fonctionnement.

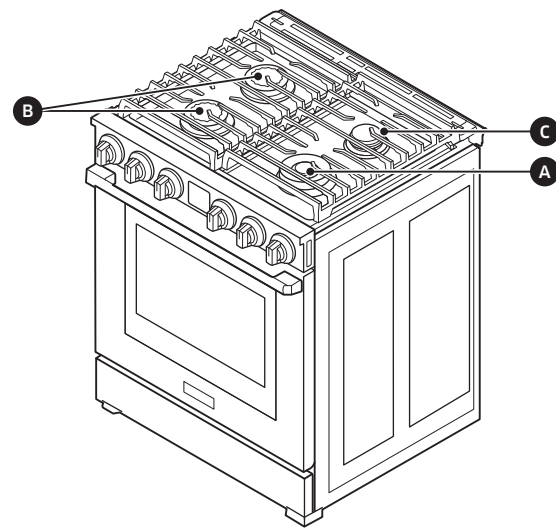
REMARQUE

- Vous devez insérer les filtres de convection avant d'utiliser le four.
- La garantie ne couvre pas la décoloration des chapeaux de brûleurs en laiton.

Utilisation de la table de cuisson

Brûleurs

Les brûleurs de votre cuisinière sont de trois types différents. Consultez le diagramme ci-dessous pour connaître la puissance calorifique et l'emplacement des brûleurs. Chaque brûleur génère une étincelle lorsque le bouton est tourné sur la position Lite spark. (N'utilisez pas la table de cuisson si l'étincelle n'est pas activée). Lorsque le brûleur s'allume, l'étincelle s'arrête automatiquement. Les joints d'étanchéité sous les brûleurs empêchent les liquides renversés de s'infiltrer dans les pièces internes de la cuisinière.

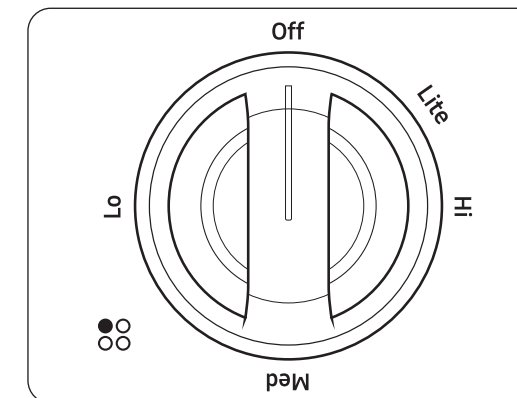


A	Double brûleur 23K BTU
B	Brûleur de cheminée 16K BTU
C	Brûleur de cheminée 9,5K BTU

Chaque brûleur est conçu pour un usage spécifique, tel que détaillé dans ce tableau :

Brûleur	Position	Objectif	Type d'aliments
Brûleur double 23K BTU	Avant droit (RF)	Réchauffement puissant/Mijotage faible	Faire bouillir des aliments Sauce tomate
Brûleur superposé 16K BTU	Avant gauche (LF)	Chauffage rapide	Nourriture générale, casseroles
	Arrière gauche (LR)		
Brûleur superposé 9,5K BTU	Arrière droit (RR)	Mijotage à feu doux	Aliments délicats qui nécessitent une chaleur faible pendant une longue période.

Allumage



REMARQUE

À chaque bouton de commande correspond un brûleur. L'emplacement du brûleur correspondant est indiqué à côté du bouton.

Pour allumer un brûleur :

1. Enfoncez le bouton et tournez-le dans le sens inverse des aiguilles d'une montre jusqu'à la position Lite. L'allumeur du brûleur émet des étincelles à plusieurs reprises jusqu'à ce qu'il s'allume. L'étincelle émet un « clic ». Le brûleur doit s'allumer dans les quatre secondes. La flamme doit brûler uniformément autour du brûleur, sauf sous chaque doigt de support de la grille, où la hauteur de la flamme est réduite par la fonction Smart Flame de Dacor. Une flamme normale est régulière et bleue. La présence de corps étrangers dans la conduite de gaz, en particulier dans les nouvelles constructions, peut provoquer une flamme orange temporaire lors du fonctionnement initial. De petites pointes jaunes sur les flammes sont normales lors de l'utilisation de gaz GPL. Si un brûleur ne s'allume pas, si l'allumeur continue de produire des étincelles ou si la flamme ne se propage pas uniformément autour du chapeau du brûleur, consultez la section **Dépannage** à la page 98.
2. Placez l'ustensile de cuisson sur la grille.
3. Réglez la flamme en fonction de la tâche de cuisson.

REMARQUE

Éteignez le brûleur s'il n'y a pas d'étincelle, et vérifiez que la cuisinière est alimentée en électricité.

N'allumez jamais manuellement un brûleur pendant une panne de courant.

Utilisation de la table de cuisson

Astuces

- Les aliments cuisent tout aussi rapidement à une ébullition douce qu'à une ébullition vigoureuse. Faites bouillir les aliments doucement pour conserver l'énergie, la saveur et les nutriments.
- Utilisez une flamme basse ou moyenne lorsque vous cuisinez avec des ustensiles qui sont de mauvais conducteurs de chaleur (verre, céramique, fonte). Réglez la flamme de manière à couvrir 1/3 du diamètre de l'ustensile de cuisson pour assurer un chauffage uniforme et réduire le risque de brûler/brûler les aliments.

Niveau des flammes

Les flammes des brûleurs doivent toujours rester sous l'ustensile de cuisson.

Avant d'utiliser les boutons du brûleur...

Pour éviter de modifier la taille des flammes, chaque bouton de brûleur ne peut être actionné que par la méthode « pousser-tourner ».

Aussi, l'utilisateur rencontrera des points d'arrêt lorsqu'il tournera le bouton. À chaque point d'arrêt, il faut pousser et tourner le bouton pour continuer. Le bouton ne peut être tourné que si l'utilisateur a l'intention de modifier la taille de la flamme.

Ustensiles de cuisine

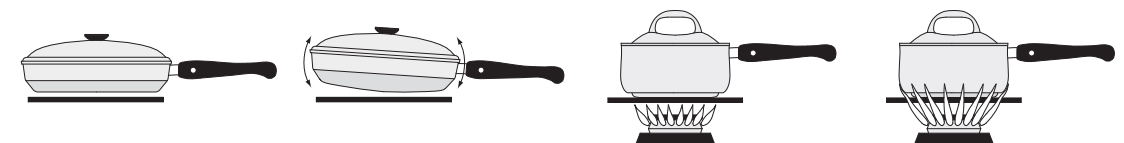
⚠ AVERTISSEMENT

- Les ustensiles de cuisine dont le fond est rugueux peuvent endommager de façon permanente les surfaces de la grille.
- Pour éviter les brûlures, tournez toujours les poignées des casseroles dans une position où elles ne peuvent pas être facilement heurtées. Les poignées ne doivent pas dépasser les brûleurs adjacents ou le bord avant de la table de cuisson. Posez toujours les ustensiles de cuisine avec précaution sur les grilles et centrez-les de manière à ce qu'ils soient bien équilibrés.
- Ne faites pas glisser les ustensiles de cuisson sur les grilles. Le glissement peut endommager la finition. Soulevez les ustensiles de cuisine pour les repositionner.
- Pour éviter les brûlures et les risques d'incendie, assurez-vous que la flamme du brûleur reste sous l'ustensile de cuisson.
- Si vous utilisez des ustensiles de cuisine en verre, assurez-vous qu'ils sont conçus pour la cuisson sur la table de cuisson.
- Veillez à tenir le manche d'un wok ou d'une petite casserole à un manche pendant la cuisson.

Pour une sécurité générale et des performances optimales, choisissez l'ustensile de cuisine adapté à l'aliment à cuire. Un ustensile mal choisi ne permettra pas une cuisson uniforme et efficace.

Utilisez des ustensiles de cuisine qui :

- Présente un fond plat et lisse
- Ont des couvercles hermétiques qui empêchent la chaleur, les odeurs et la vapeur de s'échapper
- Sont bien équilibrés, la poignée pesant moins que la partie principale de la casserole ou de la poêle



Recommandé

Non recommandé

Recommandé

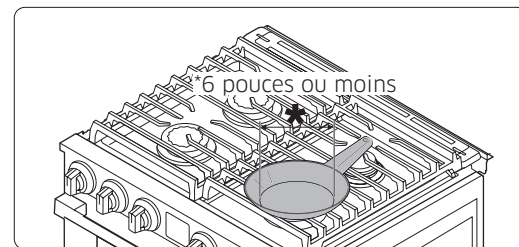
Non recommandé

Utilisation de la table de cuisson

Caractéristiques des matériaux

- **Aluminium** : Un excellent conducteur de chaleur. Certains types d'aliments peuvent faire foncer l'aluminium. Cependant, les ustensiles de cuisson en aluminium anodisé résistent aux taches et aux piqûres.
- **Cuivre** : Excellent conducteur de chaleur, mais se décolore facilement.
- **Acier inoxydable** : Un conducteur de chaleur lent avec des performances de cuisson inégales mais il est durable, facile à nettoyer et résiste aux taches.
- **Fonte** : Mauvais conducteur mais retient très bien la chaleur.
- **Article en métal émaillé** : Les caractéristiques de chauffage dépendent du matériau de base.
- **Verre**: Conducteur de chaleur lent. N'utilisez que des ustensiles de cuisson en verre spécifiés pour la cuisson sur la table de cuisson ou au four.

Limites de taille



⚠ AVERTISSEMENT

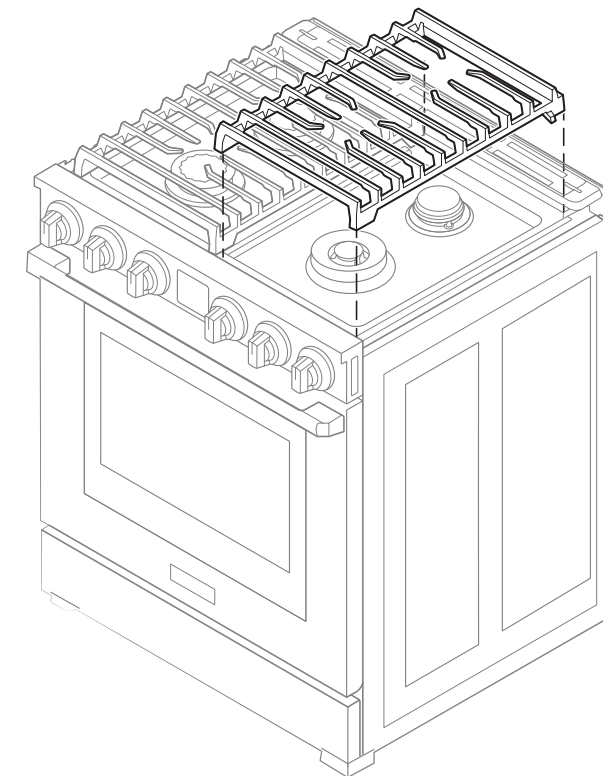
Ne placez pas une petite casserole ou une marmite dont le diamètre du fond est d'environ 6 pouces ou moins sur le grand brûleur, cette taille de casserole peut se renverser et causer des blessures. Utilisez les brûleurs arrière pour cette batterie de cuisine de petite taille.

Grilles

Posez délicatement les grilles sur le dessus du plateau de déversement. Placez les pieds de chaque grille dans les alvéoles correspondantes.

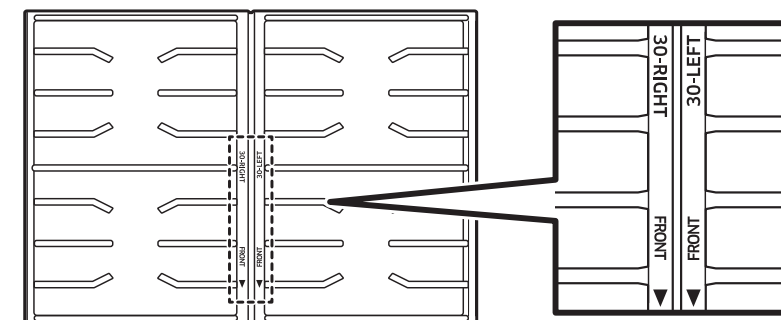
📄 REMARQUE

Les grilles sont lourdes. Soyez prudent en manipulant les grilles.



📄 REMARQUE

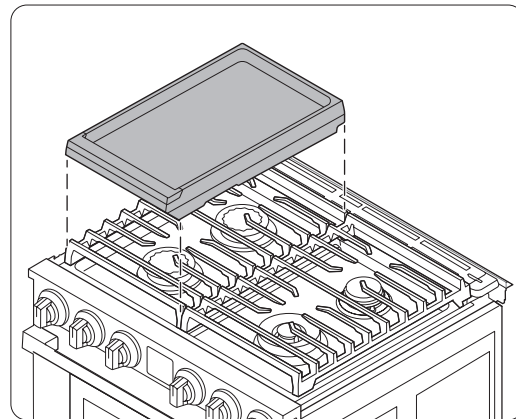
Avant d'installer les grilles, veuillez vérifier les mots sous les grilles. Les mots vous indiquent où se trouve la face avant et la position correcte de la grille, à droite, au centre ou à gauche.



Utilisation de la table de cuisson

Grill (accessoires supplémentaires)

- Avant d'utiliser le grill pour la première fois, lavez-le à l'eau chaude et savonneuse, puis rincez-le et laissez-le sécher complètement.
- Pour de meilleurs résultats, préchauffez le grill pendant 5 minutes.
- Orientez le bac à graisse de la grille à l'arrière de la table de cuisson.



1. Une fois tous les brûleurs éteints et la cuisinière refroidie au toucher, placez la plaque et la grille à gauche de la table de cuisson.
 - Les brûleurs spécifiés sont de la même taille, ce qui garantit une cuisson uniforme à l'avant et à l'arrière.
 - Insérez les languettes situées au bas des pieds dans les coins intérieurs de la grille. Un léger balancement est normal.
2. poussez et tournez le bouton des brûleurs de gauche sur le réglage d'allumage (flamme). Le brûleur s'allume.

⚠ ATTENTION

Évitez d'employer des ustensiles en métal sur la surface, car ils peuvent rayer le revêtement anti-adhésif.

📖 REMARQUE

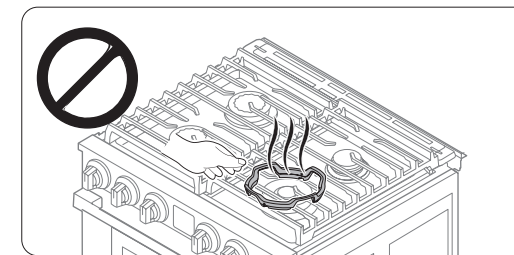
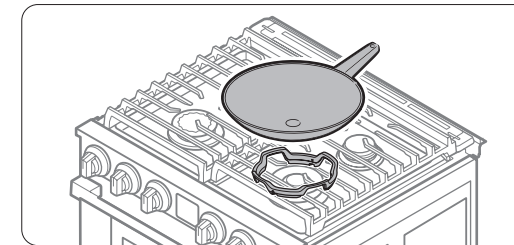
Nettoyez le grill après chaque utilisation.

Les informations relatives au préchauffage sont indiquées dans le tableau ci-dessous.

Type d'aliment	Temps de préchauffage	Réglage du préchauffage	Réglage de la cuisson
Crêpes	3 à 5 min	Moyenne à faible	Moyenne à faible
Hamburgers	3 à 5 min	Moyenne à élevée	Moyenne à élevée
Œufs au plat	3 à 5 min	Moyenne à faible	Moyenne à faible
Bacon	3 à 5 min	Moyenne	Moyenne
Saucisse pour le petit-déjeuner	3 à 5 min	Moyenne	Moyenne

Anneau de wok

Les woks sont souvent utilisés pour la friture et le pochage. L'anneau pour wok fourni peut accueillir des woks de 12 à 14 pouces.



1. Éteignez tous les brûleurs et attendez que les grilles refroidissent complètement.
2. Placez l'anneau pour wok sur la grille au-dessus du double brûleur 23K BTU.
3. Placez un wok sur l'anneau pour wok. Assurez-vous que le wok s'installe sur l'anneau pour wok.
4. Allumez le brûleur et ajustez le niveau de flamme comme il convient.

⚠ ATTENTION

- Ne retirez pas l'anneau pour wok avant que les grilles de la table de cuisson, les surfaces et l'anneau pour wok aient complètement refroidi.
- N'utilisez pas d'ustensiles de cuisine avec fond plat ou d'un diamètre inférieur au diamètre de l'anneau du wok. Les ustensiles de cuisine peuvent basculer.
- N'utilisez pas un wok surdimensionné. Les flammes du brûleur peuvent se propager et causer des dommages à proximité.
- N'utilisez pas la grille du wok et la plaque en même temps.

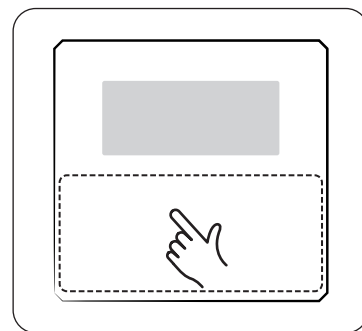
Utilisation du four

Réglages de base – Horloge, format de l'heure

Veille

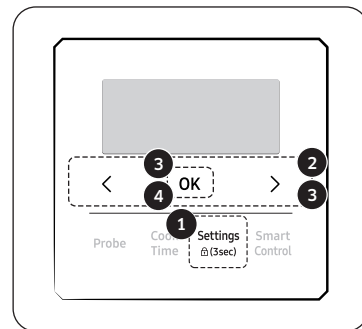
Après 1 minute d'inactivité (ou 1 minute en mode veille), Réglages, Commande intelligente Lumière éteinte. Après 5 minutes, l'horloge s'éteint et le panneau de commande passe en mode Veille. En mode Veille, le panneau de commande reste inactif jusqu'à ce qu'il soit réactivé par l'utilisateur.

réveil



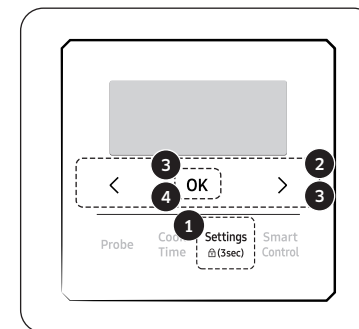
1. Pour activer le panneau de commande, touchez la zone inférieure de l'écran pour le réveiller. Touchez à nouveau la zone inférieure, les préférences de l'utilisateur sont disponibles : les paramètres et la commande intelligente.

Thème de l'horloge



1. Appuyez sur le bouton **Réglages**.
2. Appuyez sur <, > pour sélectionner Régler l'heure.
3. Appuyez sur **OK**. Appuyez sur <, > pour régler l'heure actuelle et tapez sur **OK**.
Affichez l'option Matin/Soir, puis choisissez en appuyant sur <, >.
4. Appuyez sur **OK OK** pour confirmer les réglages.

Format de l'heure

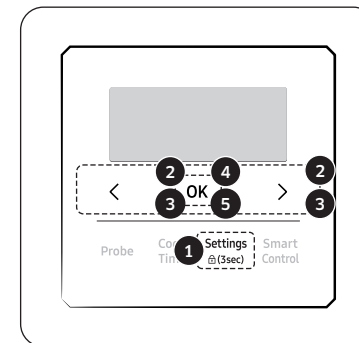


1. Appuyez sur le bouton **Réglages**.
2. Appuyez sur <, > pour sélectionner Format de l'heure.
3. Appuyez sur **OK** puis sur <, > pour sélectionner le format 24 h/12 h.
4. Appuyez sur **OK**.

Minuterie de cuisine

La minuterie de cuisine sert de minuterie supplémentaire qui émet un signal sonore lorsque le temps défini est écoulé. Elle ne permet pas de démarrer ou d'arrêter les fonctions de cuisson. Vous pouvez utiliser la minuterie de cuisine avec toutes les autres fonctions du four.

Comment régler la minuterie



1. Appuyez sur le bouton **Réglages**.
2. Appuyez sur les touches <, > pour sélectionner la minuterie et sur la touche **OK**.
3. Appuyez sur la touche <, > pour régler la minuterie 'hr'. Appuyez sur **OK** pour passer au réglage 'min'. (Appuyez longuement pour augmenter ou diminuer le temps rapidement)
4. Appuyez sur **OK**.
5. Lorsque le temps programmé est écoulé, le four émet un signal sonore et affiche le message « Time is up » (temps écoulé). Appuyez sur la touche **OK** pour supprimer ce message.

Utilisation du four

Cuisson minutée

En mode de cuisson minutée, le four s'allume immédiatement et cuit pendant la durée que vous avez sélectionnée.

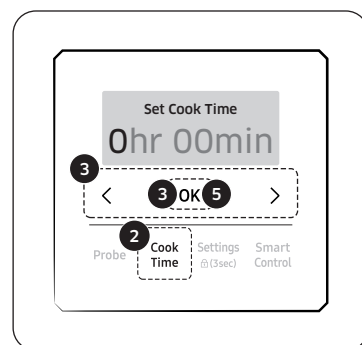
À la fin de la durée de cuisson, le four s'éteint automatiquement.

- Vous ne pouvez utiliser la fonction de cuisson minutée qu'avec une autre opération de cuisson. (Cuisson, Cuisson par convection (Pure), Rôtissage par convection (Pure), Friture par application d'air, Étuvage, Mode cuisson à la pierre, Air Sous Vide, Déshydratation).

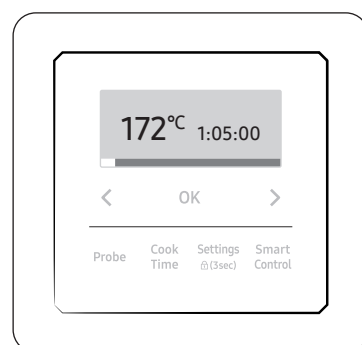
REMARQUE

Les modes disponibles pour chaque four sont indiqués à la page 35.

Comment régler le four pour une cuisson minutée



1. Sélectionnez le mode de cuisson souhaité.
2. Appuyez sur la touche **Cook Time (temps de cuisson)**.
3. Appuyez sur la touche **<**, **>** pour régler le temps de cuisson 'hr'. Appuyez sur **OK** pour passer au réglage 'min'. (Appuyez longuement pour augmenter ou diminuer le temps rapidement)
4. Vous pouvez régler le temps de cuisson pour n'importe quelle durée de 1 minute à 9 heures et 59 minutes. (Seul le mode Air-Sous Vide est disponible 99 h 59 min)
5. Appuyez sur **OK**.



6. Le temps de cuisson s'affiche dans la zone Temps de cuisson à l'écran.

REMARQUE

Vous pouvez annuler un temps de cuisson à tout moment en réglant le temps de cuisson sur 0 minute.

ATTENTION

Soyez prudent avec les fonctions de cuisson programmée. Vous pouvez utiliser ces fonctions pour cuire des viandes saumurées ou congelées et la plupart des fruits et légumes.

Les aliments qui se gâtent facilement (lait, œufs, poisson, viande ou volaille frais ou décongelés) doivent d'abord être refroidis dans le réfrigérateur.

Même réfrigérés, ils ne doivent pas rester au four plus d'une heure avant le début de la cuisson et doivent être retirés rapidement une fois la cuisson terminée.

La consommation d'aliments avariés peut entraîner des maladies dues à une intoxication alimentaire.

Caractéristiques du four

Four	Caractéristiques du four
Four de base	Cuisson, Cuisson par convection (Pure), Rôtissage par convection (Pure), Gril, Friture par application d'air, Mode cuisson à la pierre, Maintien au chaud, Nettoyage, Fonction spéciale.

Mode de cuisson

Sélectionnez le mode de cuisson souhaité. Réglez la température souhaitée.

Voir Instructions relatives aux fonctions de base à la page 38.

Mode	Plage de température	Sonde de température
Bake (cuisson traditionnelle)	Faible - 550 °F (285 °C)	✓
Convection Bake (Pure) (cuisson par convection)	Faible - 550 °F (285 °C)	✓
Convection Roast (Pure) (rôtissage par convection)	Faible - 550 °F (285 °C)	✓
Broil (gril)	Faible - Moyen - Élevé	✗
Air Fry (friture par application d'air)	350 °F (175 °C) à 500 °F (260 °C)	✗
Stone Bake mode (mode cuisson à la pierre)	350 °F (175 °C) à 500 °F (260 °C)	✗
Keep Warm (maintien au chaud)	175 °F (80 °C)	✗

✓ = Disponible / ✗ = Non disponible

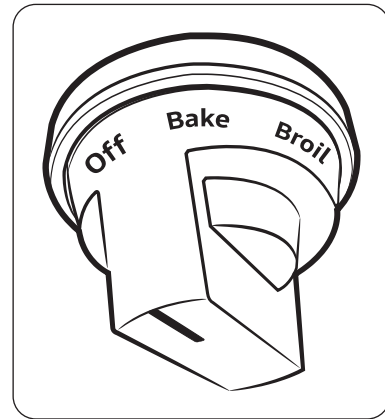
Utilisation du four

Mode	Instruction
Bake (cuisson traditionnelle)	<ul style="list-style-type: none"> Le mode Bake (cuisson traditionnelle) est utilisé pour la cuisson de gâteaux, de biscuits et de plats en cocotte. Préchauffez toujours le four. Les températures et les temps de cuisson varient en fonction des ingrédients, de la taille et de la forme du moule utilisé. Les revêtements foncés ou antiadhésifs peuvent cuire plus rapidement avec plus de brunissement.
Convection Bake (Pure) (cuisson par convection)	<ul style="list-style-type: none"> Le mode de cuisson par convection (Pure) utilise un ventilateur pour faire circuler la chaleur du four de façon uniforme et continue dans le four. Cette meilleure répartition de la chaleur permet une cuisson uniforme et d'excellents résultats lorsque vous utilisez plusieurs grilles. Offre les meilleures performances pour les cookies, les biscuits, les brownies, les petits gâteaux, les choux à la crème, les petits pains, les gâteaux des anges et le pain. Pour la cuisson par convection avec une grille, placez la grille au niveau 3 ou 5. Pour la cuisson par convection avec deux grilles, placez-les aux niveaux 3 et 5 pour les gâteaux et les biscuits. La température du four doit être réduite manuellement de 25 °F lorsque vous utilisez le mode de cuisson par convection (Pure). Dans ce mode, la convection pure en 4 parties est appliquée.
Convection Roast (Pure) (rôtissage par convection)	<ul style="list-style-type: none"> Le mode Rôtissage par convection (Pure) est idéal pour la cuisson de grosses pièces de viande tendre, à découvert. Le ventilateur à convection fait circuler l'air chauffé uniformément sur et autour des aliments. La viande et la volaille sont dorées de tous les côtés comme si elles avaient été cuites sur une rôtissoire. L'air chaud scelle rapidement les jus pour des résultats moelleux et tendres, tout en créant un extérieur riche et doré. Dans ce mode, la convection pure en 4 parties est appliquée.

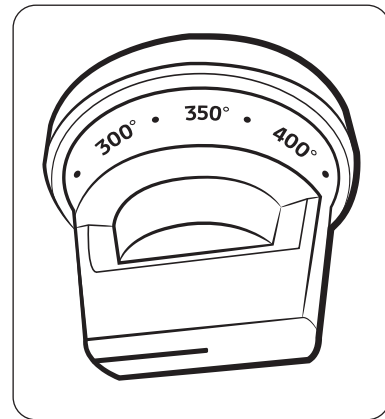
Mode	Instruction
Broil (gril)	<ul style="list-style-type: none"> Le grillage permet de cuire des morceaux de viande tendres par chaleur directe sous l'élément de grillage du four. La chaleur élevée permet de cuire rapidement et de créer un extérieur riche et doré. Le mode gril est idéal pour les morceaux de viande, de poisson et de volaille d'une épaisseur maximale d'un pouce. Préchauffez toujours le four pendant 5 minutes avant de le faire griller. Voir la section Guide de cuisson au gril à partir de la page 45.
Air Fry (friture par application d'air)	<ul style="list-style-type: none"> Le mode Air Fry (friture par application d'air) utilise l'air chaud pour obtenir des aliments surgelés ou frais plus croustillants et plus sains, sans huile ou avec moins d'huile que le mode convection normal. Pour de meilleurs résultats, utilisez ce mode en mode four simple et placez le plateau pour friture par application d'air en position 3. Le préchauffage n'est pas nécessaire pour ce mode. La température peut être réglée entre 350 °F à 500 °F.
Stone Bake mode (mode cuisson à la pierre)	<ul style="list-style-type: none"> Accessoire pour pierre requis. Faites cuire sur une pierre à pâtisserie ou à pizza pour la pizza et le pain. Faites toujours un préchauffage avec une pierre pour obtenir les meilleurs résultats. Le préchauffage prend environ 20 à 30 minutes. Quand le signal sonore retentit, placez la pizza ou le pain sur la position 2 ou 3 de la grille.
Keep Warm (maintien au chaud)	<ul style="list-style-type: none"> Le mode maintien au chaud permet de conserver les aliments cuits au chaud pour les servir jusqu'à 3 heures après la fin de la cuisson. Vous pouvez utiliser le mode maintien au chaud sans aucune autre opération de cuisson ou vous pouvez le programmer pour qu'il s'active après une opération de cuisson minutée ou différée. Vous ne devez pas utiliser ce mode pour réchauffer des aliments froids.

Utilisation du four

Instructions relatives aux fonctions de base



1. Sélectionnez le mode de cuisson souhaité.



2. Réglez la température souhaitée.

- Le mode Gril ne peut être réglé que sur Élevé, Moyen ou Faible.
- Les températures de maintien au chaud ne peuvent pas être modifiées.

⚠ ATTENTION

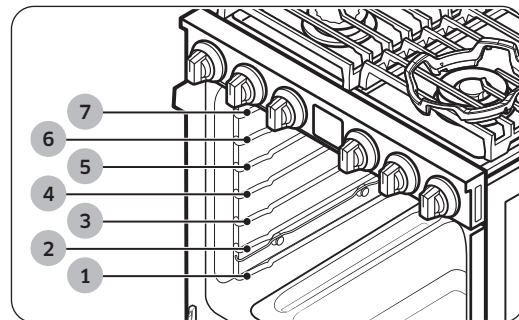
- Placez les aliments dans le four après le préchauffage si la recette l'exige. Le préchauffage est très important pour obtenir de bons résultats lors de la cuisson de gâteaux, de biscuits, de pâtisseries et de pains. Une fois que le four a atteint la température désirée, le four émet un bip.
- Le ventilateur du four à convection s'arrête lorsque la porte du four est ouverte.
- NE laissez PAS la porte ouverte pendant de longues périodes lorsque vous utilisez la cuisson par convection, car vous risquez de réduire la durée de vie de l'élément chauffant à convection.

📄 REMARQUE

- Si vous laissez la porte du four ouverte pendant plus de 20 secondes alors que le four est allumé, tous les éléments chauffants s'éteignent automatiquement.
- Une fois la cuisson terminée, le ventilateur de refroidissement continue de fonctionner jusqu'à ce que le four ait refroidi.
- Si vous utilisez un thermomètre de four dans la cavité du four, la température enregistrée par le thermomètre peut être différente de la température réelle définie du four.
- Pour des raisons de performance, le ventilateur de convection peut s'allumer ou s'éteindre pendant la cuisson du four.
- Ce four est conçu pour la cuisson au gril à PORTE FERMÉE. La porte du four doit être fermée pendant la cuisson au gril.

Utilisation du four

Utilisation des grilles du four



Positions recommandées des grilles pour la cuisson

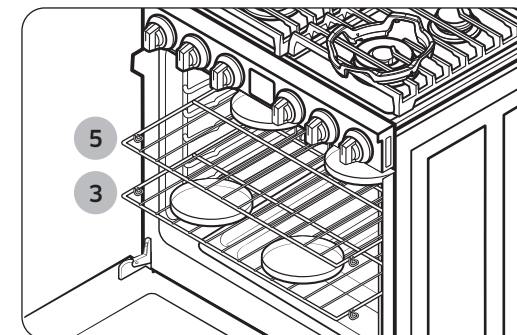
Type d'aliment	Position de la grille
Griller des hamburgers	7
Griller les viandes ou les petits morceaux de volaille, le poisson	4 à 6
Gâteaux Bundt, quatre-quarts, tartes surgelées, casseroles	3 à 4
Pizzas fraîches, gâteaux d'ange, rôtis simples	2
Dinde, gros rôtis, jambons	1

- Ce tableau est une liste d'exemples à titre de référence uniquement.

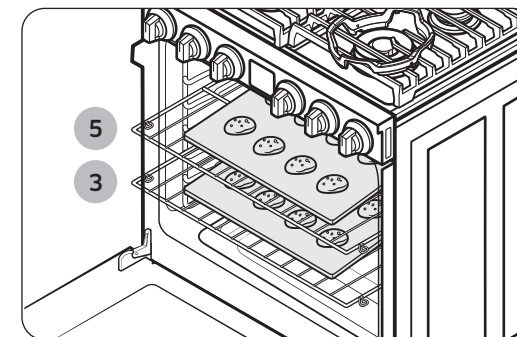
⚠ ATTENTION

- Ne recouvrez pas une grille de four avec du papier d'aluminium. Cela perturberait la circulation de la chaleur et entraînerait une mauvaise cuisson.
- Ne placez pas de papier d'aluminium sur la sole du four. L'aluminium pourrait fondre et endommager le four.
- Ne disposez les grilles du four que lorsque le four est froid.
- Lorsque vous placez une grille dans la position la plus haute (position 7), veillez à ce qu'elle soit placée de manière stable sur la butée en relief.

Cuisson sur plusieurs grilles



Position des moules à gâteaux

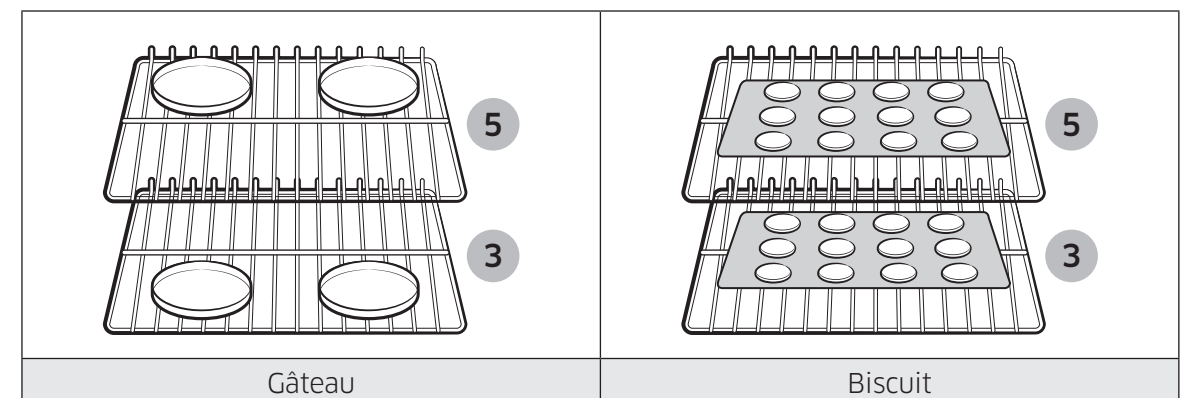


Position des plaques à pâtisserie

- Pour la cuisson de gâteaux ou de biscuits sur deux grilles, placez les grilles aux niveaux 3 et 5.
- Pour la cuisson de 4 moules sur deux grilles : Placez deux moules à l'arrière de la grille supérieure et les deux autres à l'avant de la grille inférieure.
- Lorsque vous faites cuire plusieurs articles sur une grille, maintenez un espace de 2,5 cm à 3,8 cm (1 po à 1,5 po) entre les articles.
- Lorsque vous utilisez la grille coulissante, placez-la sous la grille plate.

Utilisation de plusieurs grilles de four

Type de cuisson	Positions de la grille
Gâteaux	3 et 5
Biscuits	3 et 5



Gâteau

Biscuit

Utilisation du four

Avant d'utiliser les grilles

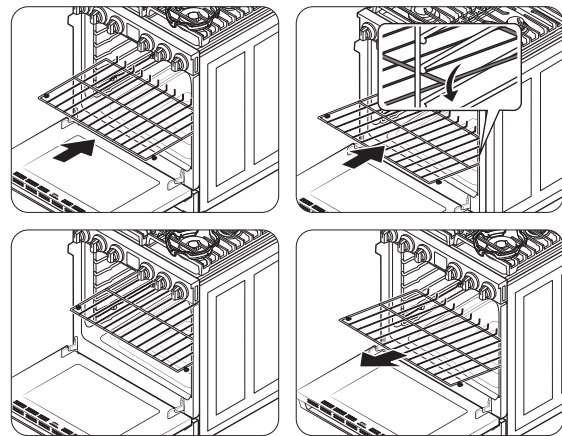
Chaque grille est munie de butées qui doivent être placées correctement sur les supports. Ces butées vont empêcher la grille de sortir complètement.

Retrait des grilles

1. Tirez la grille tout droit jusqu'à ce qu'elle s'arrête.
2. Soulevez l'avant de la grille, puis retirez-la.

Remplacement des grilles

1. Placez l'extrémité de la grille sur le support.
2. Inclinez l'extrémité avant vers le haut et poussez la grille à l'intérieur.



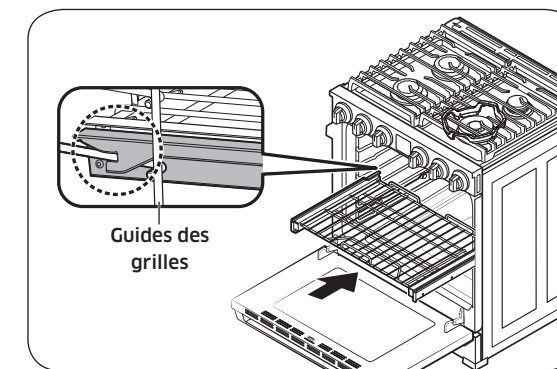
⚠ ATTENTION

- Ne recouvrez pas une grille de papier d'aluminium et ne placez pas de papier d'aluminium sur la sole du four. Cela entraverait la circulation de la chaleur, entraînant une mauvaise cuisson, et pourrait endommager la sole du four.
- Ne disposez les grilles du four que lorsque le four est froid.

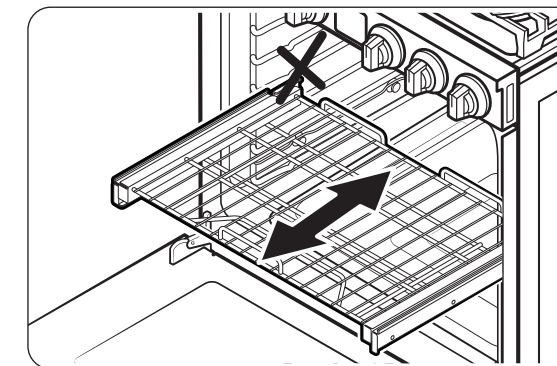
Utilisation de la grille coulissante

La grille coulissante entièrement extensible facilite la préparation des aliments, notamment lorsque vous préparez des plats plus lourds. La grille coulissante est dotée de deux glissières qui vous permettent de l'étendre largement hors du four sans toucher les parois du four.

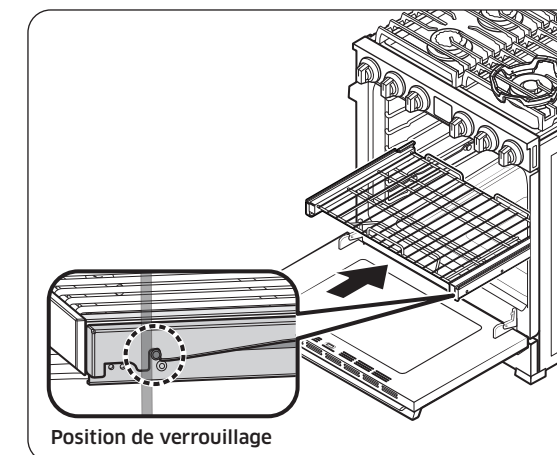
Installation de la grille coulissante



- Avec la grille coulissante en position fermée et le four éteint, insérez soigneusement la grille coulissante entre les guides jusqu'à ce qu'elle atteigne l'arrière. Voir l'image en bas à gauche pour la position fermée.



- Saisissez toujours la grille coulissante par sa poignée au centre de la grille. Si vous tirez sur le cadre de la grille, celle-ci peut se détacher, ce qui peut entraîner des déversements et des blessures.

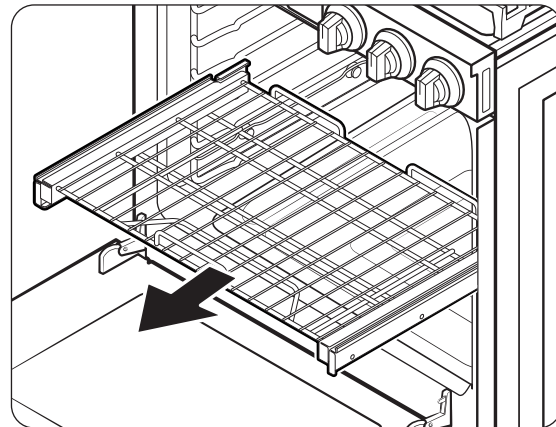


📖 REMARQUE

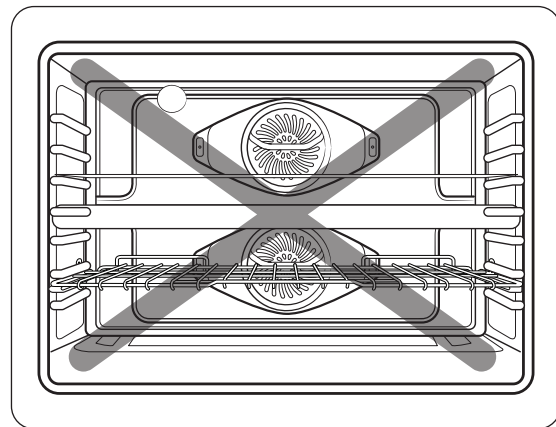
Veillez à verrouiller la grille coulissante sur le support de grille. Sinon, la grille peut se détacher et provoquer des blessures.

Utilisation du four

Retrait de la grille coulissante



- Lorsque la grille coulissante est en position fermée et que le four est éteint et froid, saisissez la grille et le cadre et tirez-les vers l'avant pour les retirer.



- ⚠ ATTENTION**
- N'essayez pas de placer une grille coulissante un niveau au-dessus d'une grille métallique.
 - Vous ne serez pas en mesure de l'installer correctement et la grille pourrait tomber.
 - Gardez au moins un niveau de grille ouvert entre une grille coulissante et une grille plate.

REMARQUE

Vous pouvez placer une grille coulissante à n'importe quel niveau, sauf au niveau le plus bas (niveau 1).

Guide de cuisson au grill

REMARQUE

- Cette indication n'est donnée qu'à titre de référence.
- Il est recommandé de préchauffer le four pendant 5 minutes avant de le faire griller.
- La durée de cuisson dépend de la taille, du poids, de l'épaisseur, de la température de départ et de votre préférence quant à la cuisson des aliments.
- Ce guide est basé sur des viandes à la température du réfrigérateur.

Aliment	Cuisson	Taille	Épaisseur	Réglage du grill	Position de la grille	Temps de cuisson	
						1er côté	2e côté
Hamburgers	Moyen	9 galettes	1 po	Élevé	7	03:20 à 3:40	02:20 à 2:40
Steak de bœuf	Moyen	-	1 po	Élevé	5	7:00 à 8:00	6:00 à 7:00
	Moyen	-	3/4 po	Élevé	5	6:00 à 7:00	5:00 à 6:00
Morceaux de poulet	Bien cuit	2-2 1/2 lb.	3/4 po à 1 po	Élevé	4	15:00 à 16:00	13:00 à 14:00
Côtelettes de porc	Bien cuit	1 lb	1/2 po	Faible	5	15:00 à 16:00	13:00 à 14:00
Côtelettes d'agneau	Bien cuit	1 lb	3/4 po à 1 po	Élevé	5	5:00 à 6:00	4:00 à 5:00
Steak de saumon	Bien cuit	3 pièces	3/4 po à 1 po	Élevé	5	4:00 à 7:00	3:00 à 6:00

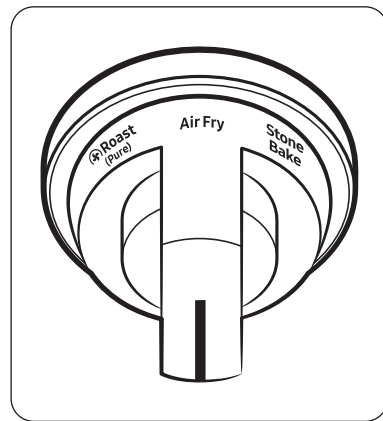
⚠ ATTENTION

Assurez-vous de fermer la porte après avoir retourné les aliments.

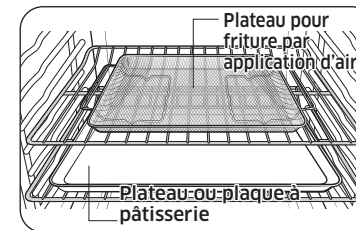
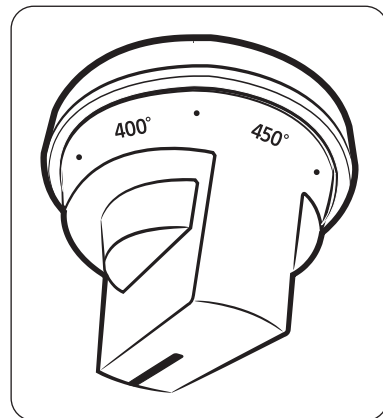
Utilisation du four

Mode Air fry (friture par application d'air)

Cette fonction utilise l'air chaud pour obtenir des aliments congelés ou frais plus croustillants et plus sains sans huile ou avec moins d'huile que les modes de convection normaux. Pour de meilleurs résultats, utilisez ce mode en mode four simple et placez le Air Fry (friture par application d'air) plateau en position 3. La température peut être réglée entre 350 °F et 500 °F. Il n'est pas nécessaire de préchauffer le four pour ce mode. Suivez les instructions de la recette ou de l'emballage pour régler la température, la durée ou la quantité.



1. Placez le plateau pour friture par application d'air sur la position 3 de la grille, et placez une plaque de cuisson ou un plateau sur la position 2 ou 1 de la grille.
2. Tournez le bouton de sélection du mode de **Off** (arrêt) à la position **Air Fry** (friture par application d'air), puis tournez le bouton de sélection de la température pour régler la température de cuisson. Vous pouvez régler la température entre 350 °F (175 °C) et 500 °F (260 °C).
3. Une fois la cuisson terminée, tournez les deux boutons sur la position **Off** (arrêt).



Emplacement recommandé pour le plateau pour friture par application d'air

REMARQUE

- Placez une plaque à pâtisserie ou un plateau sur la grille située sous la plaque de friture par application d'air, afin de récupérer les égouttures. Cela aidera à réduire les éclaboussures et la fumée des aliments riches en matières grasses, comme les ailes de poulet.
- L'Air Fry est conçu pour cuire sur une seule grille du four. Placez les aliments sur la position 3 de la grille pour obtenir les meilleurs résultats.

- Avant d'utiliser une plaque de cuisson, vérifiez la température maximale autorisée de la plaque.
- Placez la feuille de cuisson sous quelques feuilles de papier, comme du papier sulfurisé, pour absorber la graisse et réduire les éclaboussures et la fumée pendant l'Air Fry (friture par application d'air).
- Pour la cuisson d'aliments frais ou faits maison, le fait d'étaler l'huile sur une plus grande surface de manière plus uniforme, rendra les aliments plus croustillants.
- Une couche humide ou épaisse ne sera pas croustillante ou ne cuira pas efficacement avec l'Air Fry.

ATTENTION

- Les aliments riches en matières grasses tels que les ailes de poulet, le bacon, les saucisses et les cuisses de dinde fumeront lors de l'utilisation du modèle de friture par application d'air.
- Avant de commencer une friture par application d'air, allumez une hotte aspirante et réglez-la à un niveau de ventilation élevé.
- Ouvrez une fenêtre dans votre cuisine si possible et assurez-vous que la cuisine est suffisamment ventilée.
- Une fois que le four a refroidi, essuyez l'intérieur du four avant et après la cuisson par friture par application d'air.
- Nettoyez régulièrement les filtres à graisse de la hotte aspirante pour éviter que les aliments ne fument pendant la cuisson.
- Évitez d'ouvrir la porte du four, car il est difficile de maintenir la température du four, d'éviter les pertes de chaleur et d'économiser de l'énergie.

Utilisation du four

Guide du mode Air Fry (friture par application d'air)

REMARQUE

- Le préchauffage n'est pas nécessaire.
- Placez la plaque de friture par application d'air à la position 3.
- Il est recommandé d'utiliser de l'huile d'avocat.
- Placez une plaque de cuisson ou une plaque de grille sous la plaque de friture par application d'air pour recueillir les gouttes. Cela aidera à réduire les éclaboussures et la fumée des aliments riches en matières grasses, comme les ailes de poulet.

Article	Quantité	Température	Temps	Astuces
Pommes de terre				
Frites surgelées	30 à 35 oz	425 °F à 450 °F	25 à 30 min	-
Frites surgelées, assaisonnées	25 à 30 oz	425 °F à 450 °F	20 à 25 min	-
Tater Tots surgelés	40 à 45 oz	450 °F	20 à 25 min	-
Pommes de terre rissolées surgelées	25 à 30 oz	450 °F	20 à 25 min	-
Quartiers de pommes de terre surgelés	30 à 35 oz	425 °F à 450 °F	20 à 25 min	-
Frites maison	25 à 30 oz	425 °F	25 à 30 min	Peler les pommes de terre et les couper en bâtonnets d'une épaisseur de 1/3 pouce. Faites tremper dans l'eau froide pendant 30 min. Badigeonnez avec 3 cuillères à soupe d'huile. Salez et poivrez selon le goût.
Quartiers de pommes de terre maison	25 à 30 oz	450 °F	25 à 30 min	Coupez-les en quartiers. Badigeonnez avec 3 cuillères à soupe d'huile. Salez et poivrez selon le goût.

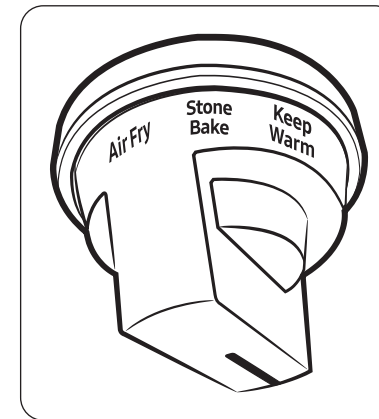
Article	Quantité	Température	Temps	Astuces
Surgelé				
Croquettes de poulet surgelées	24 à 28 oz	400 °F à 425 °F	15 à 25 min	-
Ailes de poulet surgelées	30 à 35 oz	425 °F	20 à 30 min	-
Rondelles d'oignon congelées	20 à 25 oz	425 °F	15 à 20 min	-
Bâtonnets de poisson congelés	20 à 25 oz	425 °F	18 à 22 min	-
Lanières de poulet surgelées	25 à 30 oz	425 °F à 450 °F	20 à 30 min	-
Churros surgelés	20 à 25 oz	425 °F	18 à 22 min	-
Volaille				
Pilons de poulet frais	35 à 45 oz	425 °F à 450 °F	30 à 35 min	Badigeonnez avec 3 cuillères à soupe d'huile. Salez et poivrez selon le goût. Les aliments frits par application d'air riches en matières grasses peuvent créer de la fumée.
Ailes de poulet fraîches	30 à 35 oz	425 °F à 450 °F	25 à 30 min	
Poitrines de poulet, panées	30 à 35 oz	400 °F à 425 °F	25 à 30 min	Trempez les blancs de poulet dans le mélange de farine. Fouettez l'œuf avec le lait. Trempez les poitrines enrobées de farine dans le mélange d'œufs. Placez-les dans la chapelure et remuez jusqu'à ce que les articles soient enrobés de chapelure. Salez et poivrez selon le goût. Badigeonnez avec 3 cuillères à soupe d'huile.

Utilisation du four

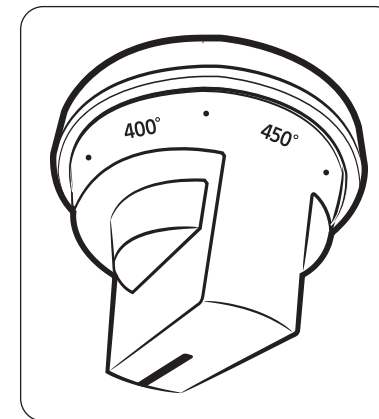
Article	Quantité	Température	Temps	Astuces
Légumes				
Asperges, panées	15 à 20 oz	425 °F	20 à 25 min	Trempez les légumes découpés dans le mélange de farine. Fouettez l'œuf avec le lait. Trempez les légumes enrobés de farine dans le mélange d'œufs. Placez-les dans la chapelure et remuez jusqu'à ce que les articles soient enrobés de chapelure. Salez et poivrez selon le goût. Badigeonnez avec 3 cuillères à soupe d'huile.
Aubergines, panées	20 à 25 oz	425 °F	20 à 25 min	
Champignons, panés	18 à 22 oz	425 °F	20 à 25 min	
Oignons, panés	18 à 22 oz	425 °F	20 à 25 min	
Choux-fleurs, panés	30 à 35 oz	400 °F à 425 °F	20 à 25 min	
Mélange de légumes, panés	30 à 35 oz	400 °F à 425 °F	20 à 25 min	

Mode cuisson à la pierre

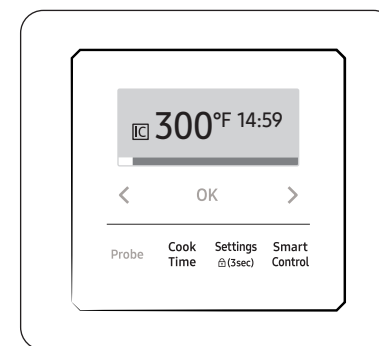
Cette fonction permet de cuire sur une pierre à pâtisserie ou à pizza pour la pizza et le pain. Un accessoire pour pierre est donc nécessaire. Préchauffez toujours avec une pierre pour obtenir les meilleurs résultats. Le préchauffage prend environ 20 à 30 minutes. Quand le signal sonore retentit, placez la pizza ou le pain sur la position 2 ou 3 de la grille.



1. Tournez le bouton de sélection du mode de cuisson de **Off** (arrêt) à la position **Stone bake** (cuisson à la pierre), puis tournez le bouton de sélection de la température de **Off** (arrêt) pour régler la température. Vous pouvez régler la température entre 350 °F (175 °C) et 500 °F (260 °C)



2. Laissez le four préchauffer. L'affichage de la température commence à changer lorsque la température de l'évent atteint 150 °F.



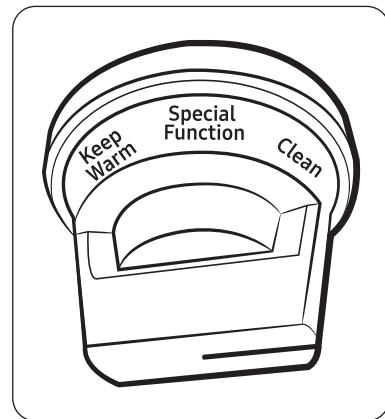
3. Une fois le préchauffage terminé, seul le modèle à gaz a besoin de 15 minutes supplémentaires pour chauffer la pierre. (*Si la pierre est déjà chauffée, passez ce processus)
4. Placez les aliments sur la grille souhaitée. Fermez la porte du four.
5. Lorsque la cuisson est terminée, tournez les deux boutons sur la position **Off** (arrêt).

REMARQUE

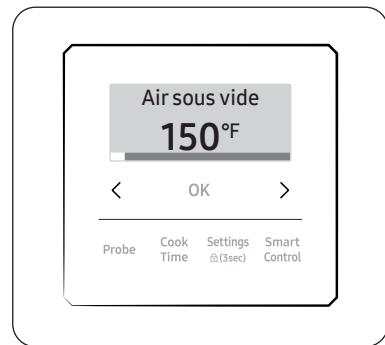
Circuit Intégré : Minuterie de chauffage de la pierre

Utilisation du four

Utilisation de la fonction spéciale



1. Réglez le bouton de température sur la position **Off** (arrêt).
2. Tournez le bouton de sélection du mode **Off** à la position **SPECIAL FUNCTION** (FONCTION SPÉCIALE).



3. Trouvez le menu de cuisson souhaité à l'aide des touches < ou > et appuyez sur **OK**.

La fonction spéciale offre 3 options de cuisson spécialisées différentes.

Mode	Plage de température
Proof (étuvage)	95 °F (35 °C)
Air Sous Vide	100 °F (40 °C) à 205 °F (95 °C)
Dehydrate (déshydratation)	150 °F (65 °C)

** Une température définie en usine est appliquée pour obtenir les meilleures performances. Vous ne pouvez pas ajuster cette température.

REMARQUE

Vous pouvez régler une unité de 1 °F en appuyant sur la touche < ou > du mode Air sous vide. (Appuyez longuement sur la touche < ou > pour diminuer ou augmenter rapidement à vitesse constante).

Mode	Instruction
Proof (étuvage)	<ul style="list-style-type: none"> Le mode Étuvage fournit une température optimale pour le processus de fermentation du pain (95 °F). Pour un résultat optimal, démarrez toujours l'option Étuvage dans un four froid. Le mode Étuvage ne fonctionne correctement que si la température du four est inférieure à 125 °F. La température de fermentation n'est pas assez élevée pour maintenir les aliments au chaud. Placez la pâte dans un récipient résistant à la chaleur sur la position 2 ou 3 de la grille et couvrez-la d'un linge ou d'une pellicule plastique. Vous devrez peut-être ancrer le film plastique sous le récipient pour que le ventilateur du four ne souffle pas le film plastique sur la pâte. Pour éviter de faire baisser la température et de prolonger le temps de fermentation, n'ouvrez pas la porte du four.
Air Sous Vide	<ul style="list-style-type: none"> Le mode Air Sous Vide utilise de l'air chaud à basse température pour mettre en œuvre le mode Sous Vide sans vapeur ni réservoir d'eau. Dans ce mode, le four maintient de basses températures constantes à l'intérieur de la chambre de cuisson, ce qui permet de cuire des aliments qui peuvent conserver leur parfum et leurs nutriments d'origine tout en offrant une saveur enrichie et une texture douce. Vous pouvez régler l'unité 1°F en appuyant sur la touche < ou > du mode Air sous vide. (Appuyez longuement sur la touche < ou > pour diminuer ou augmenter rapidement à vitesse constante).
Dehydrate (déshydratation)	<ul style="list-style-type: none"> La déshydratation permet de sécher les aliments ou d'éliminer l'humidité des aliments par circulation de chaleur. Après avoir séché les aliments, conservez-les dans un endroit frais et sec. Pour les fruits, le fait d'ajouter du jus de citron ou d'ananas ou de saupoudrer du sucre sur les fruits permet à ces derniers de conserver leur goût sucré.

REMARQUE

Le préchauffage n'est pas nécessaire pour les fonctions spéciales.

Tableau des positions des grilles pour les options de cuisson spéciales

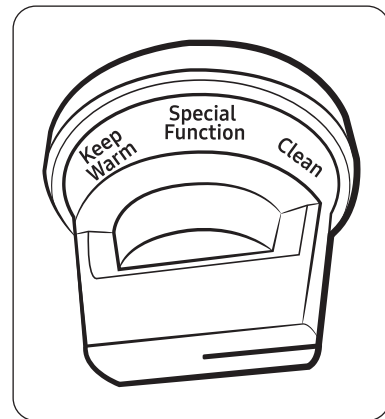
Mode	Position de la grille
Proof (étuvage)	2 ou 3
Air Sous Vide	3 ou 4
Dehydrate (Déshydratation)	2 ou 3

Pour certaines caractéristiques communes, reportez-vous à la page **Utilisation du four**.

Utilisation du four

Mode air sous vide

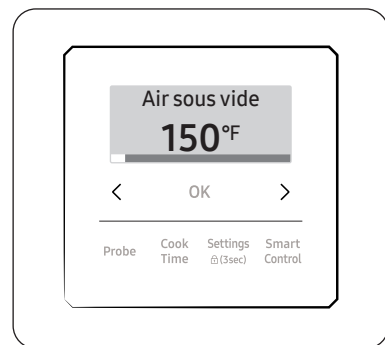
Le mode Air sous vide utilise de l'air chaud à basse température pour mettre en œuvre la méthode Sous Vide sans vapeur ni réservoir d'eau. Dans ce mode, le four maintient des températures basses constantes, ce qui permet de cuire des aliments qui peuvent conserver leur parfum et leurs nutriments d'origine tout en offrant une saveur enrichie et une texture douce.



1. Placez les sacs d'aliments sous vide sur la grille en position 3 ou 4, puis fermez la porte.
2. Réglez le bouton de température sur la position **Off** (arrêt).
3. Tournez le bouton de sélection du mode **Off** à la position **SPECIAL FUNCTION** (FONCTION SPÉCIALE).
4. Recherchez le menu Air Sous Vide à l'aide des touches < ou > et appuyez sur **OK**.
5. Réglez l'unité 1 °F en appuyant sur la touche < ou > et appuyez sur **OK**.
(Appuyez longuement sur la touche < ou > pour diminuer ou augmenter rapidement à vitesse constante).

REMARQUE

Pour le réglage du temps de cuisson, voir la section **Timed cooking** (cuisson minutée) à la page **34**.



REMARQUE

- Il n'est pas nécessaire de préchauffer le four lorsque vous utilisez le mode Air Sous-Vide.
- Placez les sacs d'aliments fermés sous vide sur la grille 3 ou 4 du four.
- Utilisez-le pour cuire de la viande, du poisson, des fruits de mer, de la volaille ou des légumes.
- Utilisez uniquement des ingrédients frais et de qualité. Coupez-les dans des conditions propres et conservez-les au réfrigérateur.
- Utilisez des sacs sous vide résistants à la chaleur pour déplacer et conserver les ingrédients.
- Ne réutilisez jamais les sacs sous vide résistants à la chaleur.
- Le temps de cuisson dépend de l'épaisseur des aliments. L'ajout de sel ou de sucre peut réduire le temps de cuisson.
- Utilisez le guide de recommandation Air Sous-Vide pour trouver le temps et la température de cuisson recommandés pour l'aliment.
- N'utilisez que des températures inférieures à 140 °F(60 °C) pour cuire des aliments qui peuvent être consommés crus en toute sécurité.

Utilisation du four

Astuces

- Pour conserver le goût original, nous vous recommandons d'utiliser moins d'herbes et d'épices que dans les recettes ordinaires.
- Les viandes et les poissons offrent de meilleures saveurs lorsqu'ils sont saisis et servis.
- Les plats sous vide sont mieux servis immédiatement après la cuisson.
- S'ils ne sont pas servis immédiatement après la cuisson, mettez les aliments dans de l'eau glacée et laissez-les refroidir complètement. Ensuite, conservez-les à une température inférieure à 40 °F (5 °C) pour conserver le parfum et la texture des aliments.
- Le poulet, en particulier, est recommandé pour être consommé immédiatement après la cuisson.

Guide de recommandations pour la cuisson à l'air sous vide

Aliment	Cuisson	Température(°F)	Durée (heures)
Bœuf			
Steak, 1,5 po d'épaisseur	Saignant	130 °F	2,5-4
	Moyen	140 °F	2,5-4
	Bien cuit	155 °F	2,5-4
Rôti	Moyen	150 °F	6-12
	Bien cuit	155 °F	6-12
Porc			
Côtelette, désossée	Tendre	150 °F	3-5
	Ferme	160 °F	3-5
Rôti	Moyen	150 °F	4-6
	Bien cuit	160 °F	4-6
Porc effiloché	Bien cuit	160 °F	15-48
Volaille			
Poitrine de poulet	Tendre	145 °F	2,5-4
	Ferme	160 °F	3-4
Magret de canard	Tendre	145 °F	3-4

Aliment	Cuisson	Température(°F)	Durée (heures)
Poisson			
Steak de saumon	Tendre	130 °F	2-3
	Bien cuit	145 °F	1,5-3
Filet de morue	Tendre	130 °F	1,5-3
Légumes			
Asperges	-	180 °F	0,5-2
Pommes de terre, en tranches	-	200 °F	2-4
Patate douce, en tranches	-	200 °F	2-4
Carotte, en tranches	-	190 °F	2-4
Courge, en cubes	-	180 °F	2-4
Fruit			
Pomme, en tranches	-	180 °F	1-2
Tranches d'ananas	-	180 °F	1-2
Poire, en tranches	-	180 °F	1-2

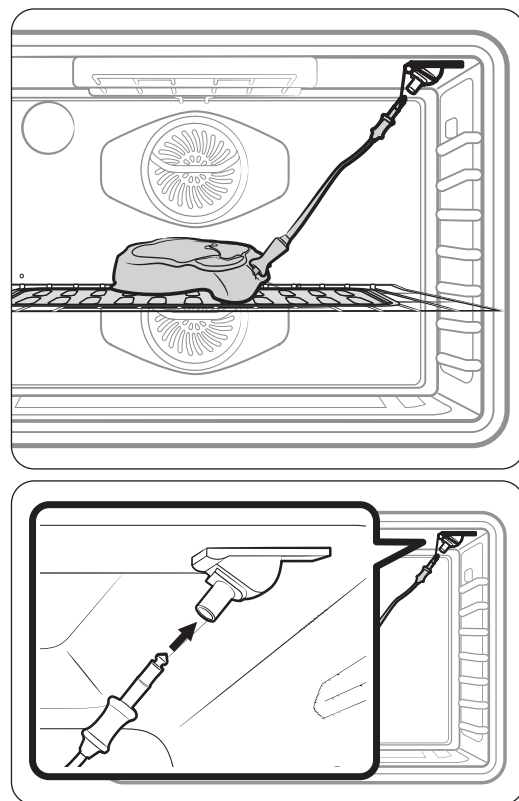
Utilisation du four

Sonde de température

Pour de nombreuses viandes, notamment les rôtis et la volaille, la mesure de la température interne est le meilleur moyen de déterminer si l'aliment est correctement cuit. La sonde de température vous permet de cuire la viande à la température interne exacte que vous souhaitez. Cette fonction peut être utilisée avec les fonctions Cuisson traditionnelle, Cuisson par convection (Pure), Rôtissage par convection (Pure). Une fois que la température interne de l'aliment atteint 100 °F, la température interne croissante s'affiche à l'écran.

Comment utiliser la sonde de température

1. Enfoncez la sonde dans la viande, de façon à ce que l'extrémité soit au centre de la viande.



- Insérez la sonde complètement dans la viande comme indiqué sur les illustrations. Si vous n'insérez pas complètement la sonde dans la viande, la fonction de sonde de température ne fonctionnera pas correctement car la sonde détectera la température du four et non celle de la viande.
- Pour les viandes avec os, insérez la sonde au centre de la partie la plus basse et la plus épaisse de la pièce.
- Pour les volailles entières (dinde, gros poulets, etc.), insérez la sonde dans la partie la plus épaisse de la cuisse intérieure, parallèlement à la jambe.
- Si vous activez la fonction de maintien au chaud pour conserver la viande au chaud après l'avoir cuite à l'aide de la fonction de sonde de température, la viande risque d'être trop cuite.

2. Branchez complètement la sonde de température dans la prise située sur la paroi supérieure du four.
3. Sélectionnez le mode de cuisson souhaité : Bake (cuisson traditionnelle), Convection Bake (cuisson par convection) (Pure), Convection Roast (rôtissage par convection) (Pure). Sélectionnez le mode de cuisson souhaité. (Consultez la page 38.)
4. Appuyez sur **Sonde de température**, puis définissez la température interne souhaitée.

Températures disponibles	100 °F à 200 °F
--------------------------	-----------------

5. Appuyez sur **START** (démarrer). Une fois que la température interne souhaitée est atteinte, la fonction s'arrête automatiquement et une alarme retentit.

⚠ ATTENTION

Ne laissez pas l'extrémité de la sonde dépasser de la viande. Assurez-vous que la pointe se trouve dans la partie la plus épaisse de la viande ou à proximité.

- Pour éviter de casser la pointe de la sonde, décongelez complètement vos aliments.
- Pour éviter d'endommager la sonde, ne la laissez pas dans le four pour une raison autre que son utilisation prévue. Les pinces peuvent endommager la sonde.
- Utilisez la sonde de température uniquement pour la cuisson avec la fonction Sonde de température.

📖 REMARQUE

- Si vous retirez la sonde de température pendant que la fonction Sonde de température fonctionne ou si vous insérez la sonde de température pendant une cuisson normale, la cuisson s'arrête au bout d'une minute.
- Si vous utilisez la sonde pour cuire des aliments congelés, il y a des moments où elle ne peut pas être détectée. (L'icône de la sonde n'apparaîtra pas à l'écran.)

Utilisation du four

Tableau des températures

Type d'aliment	Température interne (°F)	
Bœuf / Agneau	Saignant	140-150
	Moyen	160-170
	Bien cuit	175-185
Porc	175-185	
Volaille	185-195	

REMARQUE

Si vous recouvrez la viande d'une feuille d'aluminium et la laissez reposer pendant 10 minutes après la cuisson, la température interne augmentera de 5 à 10 degrés.

Retrait de la sonde de température

Débranchez la sonde de température, puis retirez-la de la viande. Rangez la sonde de la viande dans un endroit séparé, ne la laissez pas attachée à la prise.

ATTENTION

Après la cuisson, la sonde de température est assez chaude pour provoquer des brûlures. Laissez-la refroidir suffisamment avant d'essayer de la retirer.

Fonction de nettoyage

Auto-nettoyage

Ce four autonettoyant utilise des températures élevées (bien supérieures aux températures de cuisson) pour brûler complètement les restes de graisse et les résidus ou pour les réduire en une cendre finement pulvérisée que vous pouvez essuyer avec un chiffon humide.

ATTENTION

- Ne laissez pas de jeunes enfants sans surveillance près du four pendant le cycle d'autonettoyage. Les surfaces extérieures du four peuvent devenir extrêmement chaudes.
- Certains oiseaux sont extrêmement sensibles aux émanations d'un four autonettoyant. Déplacez les oiseaux vers une pièce bien ventilée, loin du four.
- Ne recouvrez pas le four, les grilles du four ou le fond du four de papier d'aluminium. Cela entraînerait une mauvaise répartition de la chaleur, des résultats de cuisson médiocres et des dommages permanents à l'intérieur du four. Le papier d'aluminium fondra sur les surfaces intérieures du four et y adhèrera.
- Ne forcez pas la porte du four pendant le cycle d'autonettoyage. Cela endommagerait le système de verrouillage automatique de la porte. La porte se verrouille automatiquement lorsque le cycle d'autonettoyage est lancé et reste verrouillée jusqu'à ce que le cycle soit terminé ou annulé et que la température du four soit inférieure à 400 °F.
- Soyez prudent lorsque vous ouvrez la porte du four après le cycle d'autonettoyage. Le four électrique sera encore TRÈS CHAUD et de l'air chaud et de la vapeur pourraient s'échapper lorsque la porte est ouverte.
- Essuyez tout débordement avant d'utiliser l'opération d'autonettoyage.
- N'utilisez pas de nettoyeurs pour four. Les nettoyeurs commerciaux pour four ou les revêtements de four ne doivent JAMAIS être utilisés à l'intérieur ou autour d'une partie du four. Les résidus de nettoyeurs pour four endommageront l'intérieur du four pendant l'opération d'autonettoyage.
- Les deux boutons doivent être initialement en position **Off** (arrêt) avant de placer le sélecteur de mode en position **Clean** (nettoyage).

Utilisation du four

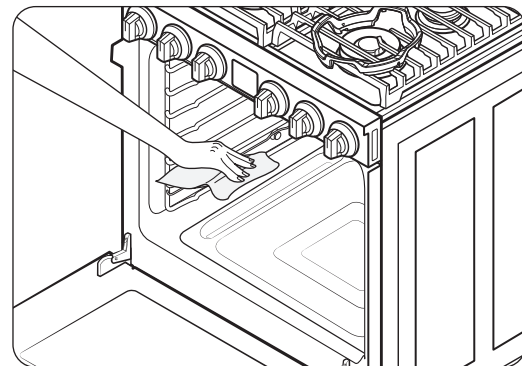


Fig. 1

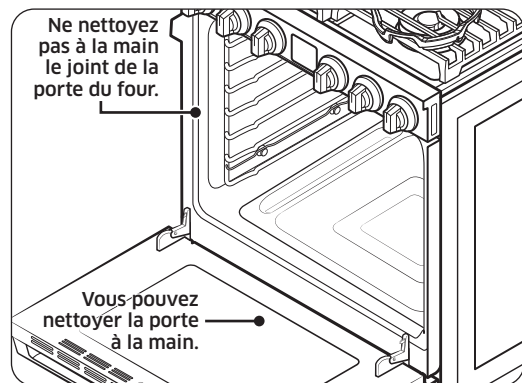


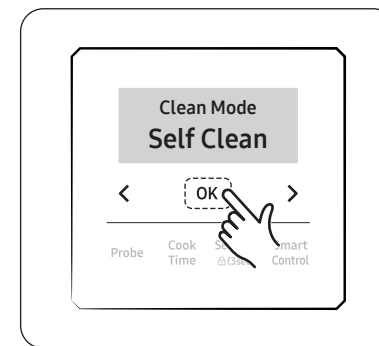
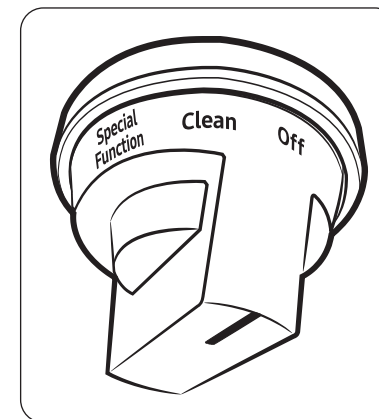
Fig. 2

REMARQUE

- Pour plus de détails sur le retrait des grilles, reportez-vous aux pages 42 et 44.
- Pour plus de détails sur le retrait des supports de grille, reportez-vous à la page 42.

- Maintenez la cuisine bien ventilée pendant un cycle d'autonettoyage.
- Retirez les grilles, les supports de grilles et tous les objets étrangers/libres du four.
- Essuyez les débris sur le fond du four. (Fig. 1)
- Nettoyez la porte du four et le cadre avant autour du joint d'étanchéité avec de l'eau chaude et des tampons de laine d'acier remplis de savon ou des nettoyeurs non abrasifs. Rincez à l'eau claire et essuyez.
- Le joint de la porte du four est fragile et ne peut pas être nettoyé à la main. Ne le nettoyez pas. Si le joint est usé ou effiloché, faites-le remplacer.
- Assurez-vous que le couvercle de l'éclairage du four est en place et que l'éclairage du four est éteint.

Procédure d'exécution d'un cycle d'autonettoyage



1. Assurez-vous que la porte du four est déverrouillée et complètement fermée.
2. Tournez les boutons de sélection du mode et de la température sur la position **Off** (arrêt).
3. Tournez le bouton de sélection du mode **Off** (arrêt) à la position **Clean** (nettoyage).
4. Appuyez sur <, > pour sélectionner le mode Self Clean (autonettoyage). Appuyez sur **OK** pour lancer l'autonettoyage.
5. Réglez la durée de l'autonettoyage. 3 h est la valeur par défaut. Appuyez sur <, > pour sélectionner une autre durée définie. Appuyez sur **OK** pour lancer l'autonettoyage.
6. La porte du four est verrouillée et le four commence à chauffer. Lorsque le cycle est terminé, un bip d'alerte retentit. La porte reste verrouillée jusqu'à ce que la température du four descende en dessous de 400 °F (205 °C).
7. Une fois le cycle d'autonettoyage terminé, tournez le bouton de sélection du mode sur la position **Off** (arrêt).

REMARQUE

- Vous ne pourrez pas démarrer un cycle d'autonettoyage si la fonction de verrouillage des commandes est activée ou si la température du four est trop élevée.
- Les portes du four se verrouillent automatiquement. L'affichage indique le temps de nettoyage restant. Vous ne pouvez pas ouvrir les portes du four tant que la température n'est pas redescendue à une température de sécurité/de refroidissement.
- Vous ne devez pas faire fonctionner les brûleurs de la table de cuisson pendant le mode d'autonettoyage.

Utilisation du four

Annulation du cycle d'autonettoyage

Vous pouvez juger nécessaire d'arrêter ou d'interrompre un cycle d'autonettoyage en raison de la présence de fumée dans le four. Pour arrêter le cycle d'autonettoyage, tournez les boutons de sélection du mode sur la position **Off** (arrêt). Le cycle s'arrête, mais la porte reste verrouillée jusqu'à ce que la température du four descende en dessous de 205 °C (400 °F).

Après l'autonettoyage

- La porte reste verrouillée jusqu'à ce que la température interne du four descende en dessous de 400 °F.
- Après le refroidissement du four, essuyez les surfaces du four avec un chiffon pour éliminer les résidus de cendres.
- Les taches tenaces peuvent être éliminées à l'aide d'un tampon en laine d'acier. Les dépôts de calcaire peuvent être éliminés à l'aide d'un chiffon imbibé de vinaigre.
- Si vous n'êtes pas satisfait des résultats du nettoyage, répétez le cycle d'autonettoyage.
- Le four ne vous permet pas de répéter immédiatement un cycle d'autonettoyage. Vous devez attendre 2 heures avant de relancer l'autonettoyage.
- De fines lignes générées à l'intérieur de la cavité peuvent apparaître lors du refroidissement et du chauffage répétés du produit après une utilisation prolongée. Ce phénomène est normal, n'affecte pas les performances du produit et est sans danger pour le corps humain.

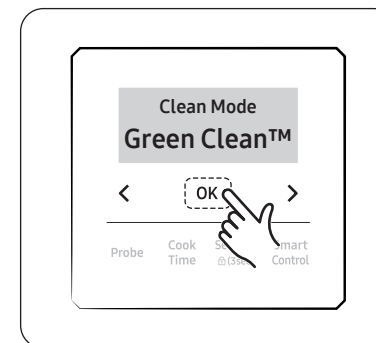
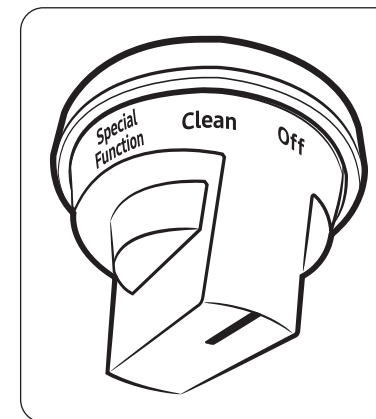
⚠ ATTENTION

N'essayez pas d'ouvrir la porte du four immédiatement après la fin du cycle d'autonettoyage. Le four est encore très chaud lorsque la porte se déverrouille. L'air chaud ou la vapeur qui s'échappe pourrait vous brûler.

Green cleaning (nettoyage écologique)

Pour un nettoyage léger, la fonction Green-cleaning permet d'économiser du temps et de l'énergie. Pour un nettoyage plus intensif, utilisez la fonction d'autonettoyage.

Procédure d'exécution d'un cycle de nettoyage écologique



1. Assurez-vous que la porte du four est déverrouillée et complètement fermée.
2. Versez environ 300 ml (10 oz) d'eau sur le fond du four vide, puis fermez la porte du four. Utilisez uniquement de l'eau normale, pas d'eau distillée.
3. Tournez les boutons de sélection du mode et de la température sur la position **Off** (arrêt).
4. Tournez le bouton de sélection du mode **Off** (arrêt) à la position **Clean** (nettoyage).
5. appuyez sur <, > pour sélectionner le mode Green cleaning (nettoyage écologique) Appuyez sur **OK** pour lancer le mode **Green Cleaning** (nettoyage écologique).
6. Lorsque l'opération est terminée, l'écran clignote et un bip sonore retentit. Tournez ensuite le bouton de mode sur la position **Off** (arrêt).
7. Nettoyez l'intérieur du four. Une quantité importante d'eau restera au fond du four après un cycle de nettoyage écologique. Retirez l'eau résiduelle à l'aide d'une éponge ou d'un chiffon doux et sec.

Vous pouvez annuler le nettoyage écologique à tout moment en plaçant le bouton de sélection du mode sur la position **Off** (arrêt).

Utilisation du four

REMARQUE

- Lors du nettoyage écologique, utilisez exactement 10 oz. d'eau car cela donne les meilleurs résultats.
- Si vous appuyez sur **Green Clean (nettoyage écologique)** lorsque la température du four est supérieure à 125 °F, Hot (chaud) s'affiche. Dans la mesure où cette fonction donne les meilleurs résultats lorsqu'elle est lancée alors que le four est froid, nous vous recommandons d'attendre que le four ait refroidi et que Hot disparaisse de l'affichage.

Après un cycle de nettoyage écologique

- Faites attention en ouvrant la porte après la fin d'une procédure de nettoyage écologique. L'eau du fond est chaude.
- Ouvrez la porte du four et retirez l'eau résiduelle avec une éponge. Ne laissez pas l'eau résiduelle dans le four pendant une période prolongée. Essuyez le four et séchez-le avec un chiffon doux. N'oubliez pas d'essuyer le dessous du joint de la porte du four.
- Utilisez une éponge imbibée de détergent, une brosse douce ou une brosse en nylon pour essuyer l'intérieur du four. Enlevez les résidus tenaces avec une lavette en nylon. Vous pouvez éliminer les dépôts de calcaire avec un chiffon imbibé de vinaigre.
- Si la saleté persiste, vous pouvez répéter l'opération une fois le four refroidi.
- Pour les résidus plus importants (p. ex. : la graisse provenant du rôtissage), nous vous conseillons d'étaler du nettoyant sur les traces avant d'activer la fonction Green Clean (nettoyage écologique).
- Une fois le nettoyage terminé, laissez la porte du four entrebâillée (à 15°) pour permettre à la surface émaillée interne de sécher complètement.

Utilisation de la fonction Sabbath (Sabbath)

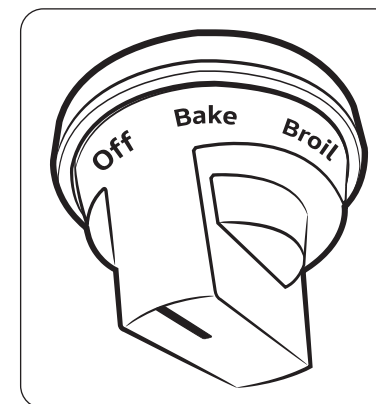
(Pour une utilisation pendant le Sabbath et les fêtes juives)



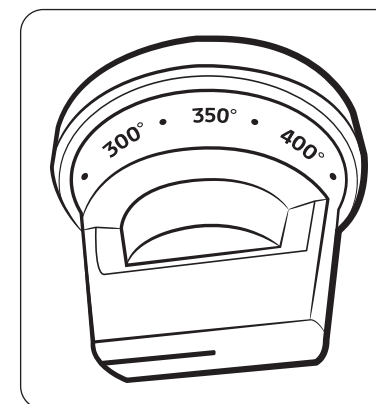
Pour obtenir de l'aide supplémentaire, des directives d'utilisation et une liste complète des modèles dotés de la fonction Sabbath, visitez le site : <http://www.star-k.org>.

Vous pouvez utiliser la fonction Sabbath pour la cuisson uniquement. La température du four peut être augmentée ou diminuée après le réglage de la fonction Sabbath. (La fonction de réglage de la température du four ne doit être utilisée que pendant les fêtes juives.) Toutefois, l'affichage ne change pas et aucune tonalité ne retentit lorsqu'un changement se produit. Une fois le four correctement réglé pour la cuisson avec la fonction Sabbath activée, le four reste allumé en continu jusqu'à ce que la fonction Sabbath soit annulée. Cette fonction annule la fonction d'économie d'énergie de 12 heures préréglée en usine. Si l'éclairage du four est nécessaire pendant le Sabbath, appuyez sur la touche **d'éclairage du four** avant d'activer la fonction Sabbath. Une fois l'éclairage du four allumé et la fonction Sabbath activée, l'éclairage intérieur du four reste allumé jusqu'à ce que la fonction Sabbath soit désactivée. Si l'éclairage du four doit être éteint, veuillez à l'éteindre avant d'activer la fonction Sabbath.

Comment utiliser la fonction Sabbath (Sabbath)

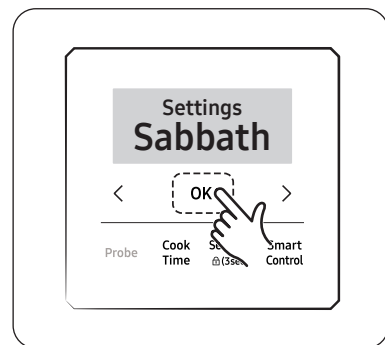


1. Tournez le bouton de sélection du mode **Off** (arrêt) à **Bake** (cuisson traditionnelle).

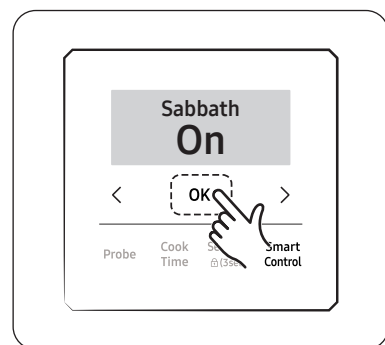


2. Faites tourner le bouton de sélection de la température à partir de la position **Off** (arrêt) pour régler la température. Vous pouvez régler le four sur n'importe quelle température comprise entre Lo et 550 °F.

Utilisation du four



3. Appuyez sur la touche **Réglages** puis sur <, > pour sélectionner le mode **Sabbat**.



4. Appuyez sur **OK** puis sur <, > pour sélectionner On (activé) / Off (désactivé).
5. Appuyez sur **OK** pour activer le mode sabbat.

⚠ ATTENTION

- N'essayez pas d'activer une autre fonction du programme, à l'exception de Bake (cuisson traditionnelle), lorsque la fonction Sabbath est activée.
- N'ouvrez pas la porte du four et ne modifiez pas la température du four pendant environ 30 minutes après avoir lancé le mode Sabbath pour permettre au four d'atteindre la température réglée. Sachez que pour une performance optimale, le ventilateur du four ne fonctionne que lorsque la température du four augmente.

📖 REMARQUE

- Après avoir modifié la température lorsque l'appareil est en mode Sabbath, un délai de 15 secondes s'écoule avant que l'appareil ne reconnaisse la modification.
- Vous pouvez régler la fonction Cook Time (temps de cuisson) avant d'activer la fonction Sabbath.
- En cas de panne de courant, le four s'éteint de lui-même. Lorsque le courant est rétabli, le four ne se remet pas en marche. **Sabbath** s'affiche sur le panneau de commande, mais le four n'est pas allumé. Les aliments peuvent être retirés du four en toute sécurité pendant le mode Sabbath, mais le four est inopérant jusqu'à la fin des vacances du Sabbath. Vous pouvez alors appuyer sur la touche **OK** et la maintenir enfoncée pendant 3 secondes pour désactiver le mode Sabbath.

Utilisation de la fonction Smart Connect (commande intelligente)

Pour utiliser la fonction de commande intelligente du four, vous devez télécharger l'application SmartThings sur un appareil mobile. Les fonctions qui peuvent être contrôlées à l'aide de l'application SmartThings peuvent ne pas fonctionner correctement si les conditions de communication sont mauvaises ou si le four est installé dans un endroit où le signal Wi-Fi est faible.

Un amplificateur Wi-Fi peut s'avérer nécessaire. L'amplificateur Wi-Fi n'est pas fourni par Dacor.

Reportez-vous au tableau suivant pour connaître les principales fonctions qui peuvent être actionnées à partir de l'appli.

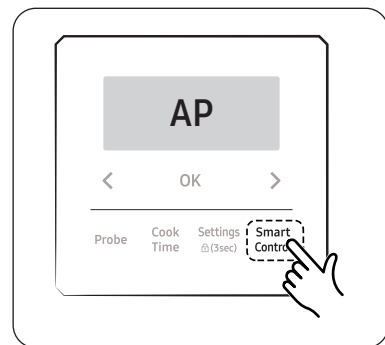
Lorsque le Smart Control est activé, le four est éteint.	Surveillance (four, sonde), four éteint.
Lorsque la fonction Smart Control du four est activée.	Surveillance (four, sonde), four éteint, vérification des erreurs.

Comment connecter le four

1. Téléchargez et ouvrez l'application SmartThings sur votre appareil intelligent.
2. Suivez les instructions à l'écran de l'application pour connecter votre four.
3. Appuyez sur le bouton **Smart Control (commande intelligente)** pendant 3 secondes pour connecter votre four. (Le mot « AP » disparaît de l'écran).
4. Une fois le processus terminé, le four affiche « Connexion terminée ». La cuisinière est connectée avec succès.
5. Si le four affiche « Can't Connect Try Again » (impossible de se connecter, essayez à nouveau), suivez les instructions de l'application pour vous reconnecter.

Utilisation du four

Pour démarrer le four à distance



1. Appuyez sur le bouton **Smart Control** pendant 3 secondes.

Lorsque Smart Control est activé, vous pouvez :

- Modifier à distance les paramètres du four (mode, heure, température) à l'aide de votre appareil mobile.
- Allumer/éteindre le four à distance.

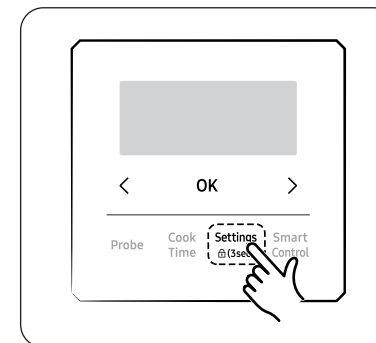
REMARQUE

- Important :** Le mode Autonettoyage ne peut pas être démarré à distance.
- L'ouverture de la porte du four désactive la fonction Smart Control et vous empêche d'allumer le four ou de le contrôler à distance.
 - Si la fonction Smart Control est désactivée, vous pouvez toujours surveiller l'état du four et l'éteindre.
 - Une fois la cuisson du four terminée ou annulée, Smart Control est désactivé.
 - La cuisinière continue de fonctionner même si la connexion Wi-Fi est perdue.
 - L'application **SmartThings** ne fonctionnera pas correctement si la connexion Wi-Fi est instable.
 - Consultez le manuel de l'application SmartThings pour en savoir plus.
 - Pour plus d'instructions, consultez le manuel Web de l'application SmartThings à l'adresse www.dacor.com

Sécurité enfants

Cette fonction rend le pavé tactile inopérant et verrouille la porte du four. Vous ne pouvez activer la sécurité enfants que lorsque le four est en mode veille.

Comment activer la fonction de sécurité enfants

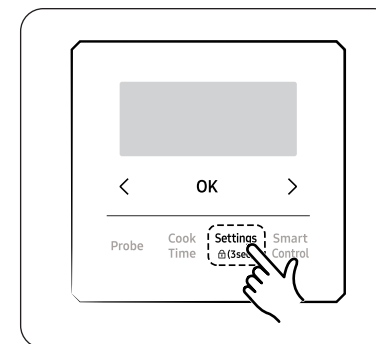


1. Annulez ou désactivez toutes les fonctions.
2. Appuyez sur **Settings** (réglages) pendant 3 secondes.
3. Le four affiche « Child Lock On » (sécurité enfants activée) et l'icône de verrouillage ainsi que l'heure actuelle.

REMARQUE

- La sécurité enfants est uniquement disponible lorsque la température du four est inférieure à 400 °F.
- Toutes les autres fonctions doivent être annulées avant d'activer la sécurité enfants.

Comment déverrouiller les commandes



1. Appuyez sur **Settings** (réglages) pendant 3 secondes. La mention « Child Lock Off » (sécurité enfants désactivée) et l'icône de verrouillage disparaissent de l'écran.

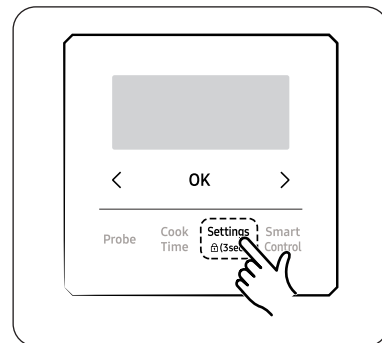
REMARQUE

Le déverrouillage de la porte peut prendre jusqu'à 10 secondes.

Utilisation du four

Réglages

Dans Réglages, vous pouvez modifier les réglages par défaut selon vos préférences ou diagnostiquer les problèmes de connexion réseau.



1. Appuyez sur le bouton **Réglages**.

Wi-Fi

Pour activer une connexion Wi-Fi

1. Appuyez sur le bouton **Réglages**.
2. Appuyez sur <, > pour sélectionner **Wi-Fi**.
3. Appuyez sur **OK** puis sur <, > pour sélectionner **On** (activé) ou **Off** (désactivé) puis appuyez sur **OK**.

REMARQUE

Pour plus de détails sur la connexion Wi-Fi et l'utilisation de l'appli SmartThings, consultez le manuel d'utilisation de SmartThings.

Délai d'attente de l'écran

Vous pouvez régler le délai d'attente de l'écran.

1. Appuyez sur le bouton **Réglages**.
2. Appuyez sur <, > pour sélectionner **Screen Timeout (délai d'attente de l'écran)**.
3. Appuyez sur **OK** puis sur <, > pour modifier le temps. (La valeur par défaut est de 20 min.)
4. Appuyez sur **OK**.

Température

Unité de température

Vous pouvez programmer la commande du four pour qu'elle affiche la température en Fahrenheit (par défaut) ou en Celsius.

1. Appuyez sur le bouton **Réglages**.
2. Appuyez sur <, > pour sélectionner **Température. Unité**.
3. Appuyez sur **OK** puis sur <, > pour sélectionner l'unité de température.
4. Appuyez sur **OK**.

Réglage de la température

La température du four a été étalonnée en usine. Lors de la première utilisation du four, veillez à respecter les durées et les températures des recettes.

Si vous pensez que le four est trop chaud ou trop froid, vous pouvez corriger la température du four. Avant de corriger, testez une recette en utilisant un réglage de température supérieur ou inférieur à la température recommandée.

Les résultats de la cuisson devraient vous aider à déterminer le réglage approprié. La température du four peut être réglée à $\pm 19\text{ }^{\circ}\text{C}$ ($\pm 35\text{ }^{\circ}\text{F}$).

1. Appuyez sur le bouton **Réglages**.
2. Appuyez sur <, > pour sélectionner **Température. Régler**.
3. Appuyez sur **OK** puis sur <, > pour sélectionner le réglage que vous souhaitez effectuer.
4. Appuyez sur **OK**.

REMARQUE

Ce réglage n'affecte en rien les températures de cuisson au gril ou d'autonettoyage. Le réglage sera conservé en mémoire après une coupure de courant.

Utilisation du four

Son

Grâce au réglage du son, vous pouvez régler les commandes du four pour qu'elles fonctionnent silencieusement.

1. Appuyez sur le bouton **Réglages**.
2. Appuyez sur <, > pour sélectionner **Son**.
3. Appuyez sur **OK** puis sur <, > pour sélectionner **Son activé / Alertes uniquement activées / Son désactivé**.
4. Appuyez sur **OK**.

Économie d'énergie de 12 heures

Si vous laissez le four allumé, cette fonction éteint automatiquement le four après 12 heures pendant les fonctions de cuisson ou après 3 heures pendant une fonction de gril.

1. Appuyez sur le bouton **Réglages**.
2. Appuyez sur <, > pour sélectionner **Économie d'énergie de 12 heures**.
3. Appuyez sur **OK** puis sur <, > pour sélectionner **On** (activé) ou **Off** (désactivé).
4. Appuyez sur **OK**.

Mode Démo

Cette option est destinée aux établissements de vente au détail à des fins d'affichage uniquement. (Lorsque le mode démo est activé, les éléments chauffants sont désactivés et ne fonctionnent pas.)

1. Appuyez sur le bouton **Réglages**.
2. Appuyez sur <, > pour sélectionner le **mode démo**.
3. Appuyez sur **OK** puis sur <, > pour sélectionner **On** (activé) ou **Off** (désactivé).
4. Appuyez sur **OK**.

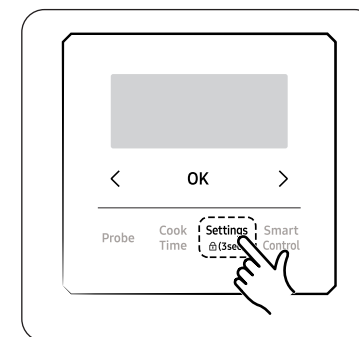
Utilisation de la fonction de contrôle de la hotte

REMARQUE

Ce produit comporte un dispositif Bluetooth que vous pouvez utiliser pour connecter la cuisinière aux modèles de contrôle de la hotte Dacor. Grâce à la connexion Bluetooth, vous pouvez utiliser la fonction de contrôle de la hotte sur l'application SmartThings.

Pour vous connecter à un modèle de contrôle de hotte et à une hotte :

1. Téléchargez et exécutez l'application SmartThings sur votre téléphone intelligent. Ensuite, effectuez la procédure de commande intelligente pour vous connecter à la cuisinière. Consultez la page 69.
2. Suivez les instructions Bluetooth du modèle de contrôle de la hotte et activez la connexion Bluetooth.
3. Appuyez sur l'icône **Bluetooth** sur le panneau de commande de la hotte. Le voyant de l'icône Bluetooth clignote.
4. Appuyez sur le bouton **Réglages** sur l'écran d'affichage de la cuisinière. Appuyez sur <, > pour sélectionner **Connexion à la hotte**. Appuyez sur **OK** pour vous connecter à la hotte.
5. Lorsque le couplage Bluetooth est terminé, le voyant de l'icône Bluetooth cesse de clignoter et reste allumé. Appuyez sur le bouton **Réglages** pour quitter.
6. Suivez les instructions du manuel d'utilisation du modèle de commande de la hotte et du guide de l'App pour utiliser la commande de la hotte.



Utilisation du four

Activation/désactivation du Bluetooth

Appuyez sur l'icône **Bluetooth** sur le panneau de commande de la hotte.

REMARQUE

- Le voyant de l'icône Bluetooth sur la hotte s'allume lorsque le Bluetooth est activé. Le voyant de l'icône Bluetooth sur la hotte est éteint lorsque le Bluetooth n'est pas activé.
- Si la connexion Smart Control ne réussit pas, vous ne pouvez pas utiliser l'appli SmartThings pour surveiller et contrôler la hotte.
- Sans connexion Smart Control à la cuisinière, vous pouvez utiliser une connexion Bluetooth pour jumeler la cuisinière avec la hotte et les synchroniser. Pour ce faire, suivez les étapes de la connexion Bluetooth à la page 75.
- Le Bluetooth ne fonctionnera pas correctement si la connexion Bluetooth est instable.
- Consultez le manuel de l'application SmartThings pour en savoir plus.

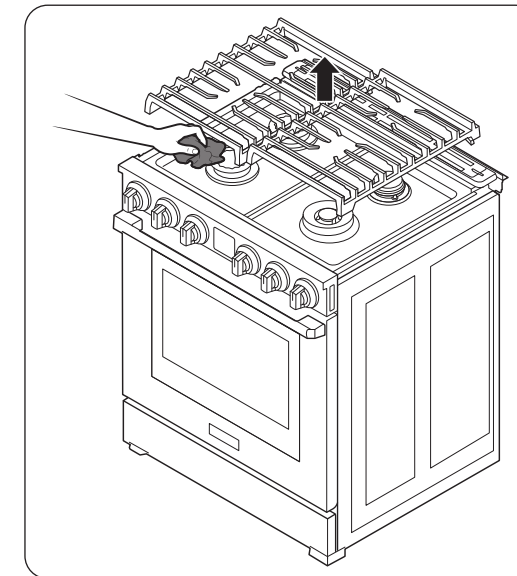
Entretien et maintenance - Table de cuisson

AVERTISSEMENT

Assurez-vous que l'alimentation électrique est débranché et que toutes les surfaces sont refroidies avant de nettoyer toute partie de la table de cuisson. Le port de gants est obligatoire lors du nettoyage. Certains brûleurs et pièces de la table de cuisson ont des bords tranchants. Soyez prudent lors du nettoyage.

Nettoyage de la surface de la table de cuisson

Vous devez nettoyer les déversements dès que possible.



1. Éteignez tous les brûleurs.
2. Lorsque les grilles ont suffisamment refroidi, retirez-les.
3. Nettoyez la surface de la table de cuisson avec un chiffon doux. Si les déversements s'écoulent dans les interstices des composants du brûleur, retirez les interstices et la tête du brûleur, puis essuyez les déversements.
4. Une fois le nettoyage terminé, réassemblez les brûleurs et repositionnez les grilles.

ATTENTION

Ne lavez pas les grilles des brûleurs dans le lave-vaisselle.

Entretien et maintenance - Table de cuisson

Surfaces en acier inoxydable

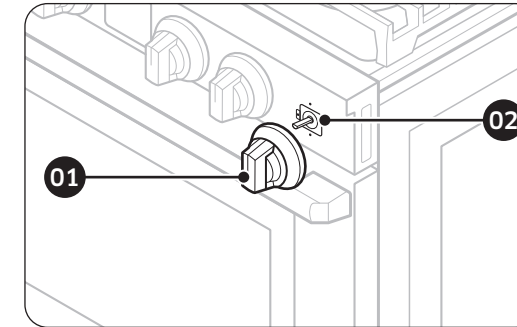
1. Retirez les déversements, les taches et les taches de graisse à l'aide d'un chiffon doux et humide.
2. Appliquez un nettoyant pour acier inoxydable approuvé sur un chiffon ou une serviette en papier.
3. Nettoyez une petite zone à la fois, en frottant dans le sens du grain de l'acier inoxydable, le cas échéant.
4. Séchez la surface à l'aide d'un chiffon doux et sec.
5. Répétez les étapes 2 à 4 au besoin.

⚠ ATTENTION

- N'utilisez pas d'articles (p. ex. tampon de laine d'acier, grattoir tranchant, nettoyant abrasif, soude caustique/hydroxyde de sodium), qui peuvent affecter l'apparence de l'acier et endommager les composants.
- Ne retirez pas le plateau de déversement pour le nettoyer. Les conduites de gaz menant aux collecteurs des brûleurs peuvent être endommagées, ce qui peut provoquer un incendie ou un dysfonctionnement.
- Ne versez pas d'eau dans la table de cuisson. L'eau pourrait s'égoutter dans les systèmes de gaz et d'électricité, créant un risque de choc électrique ou des niveaux élevés de monoxyde de carbone (CO) à cause de la corrosion des vannes/ports de gaz.
- Ne vaporisez aucun type de nettoyant dans les orifices du collecteur. Le système d'allumage qui s'y trouve doit rester sec.

Boutons de commande

Éteignez tous les boutons des brûleurs.



01 Saisissez chaque bouton et tirez pour le retirer.

02 Tige de la vanne. Ne le retirez pas.

1. Retirez les boutons de leurs tiges de vanne.
2. Nettoyez les boutons à l'eau chaude savonneuse, puis rincez-les et séchez-les soigneusement.
3. Nettoyez les surfaces en acier inoxydable à l'aide d'un nettoyant pour acier inoxydable.
4. Remettez les boutons en position **Off (arrêt)** sur les tiges des vannes de contrôle.

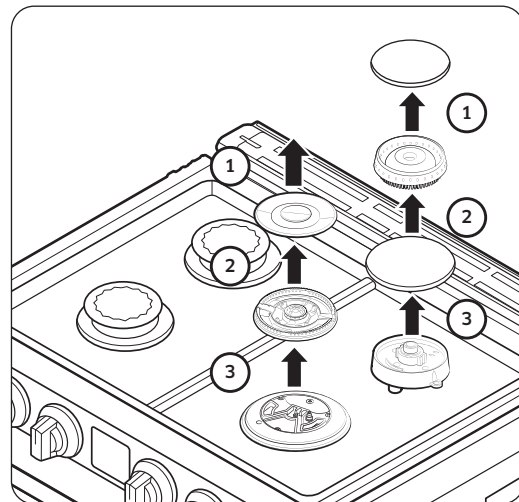
⚠ ATTENTION

- Ne nettoyez pas les boutons de commande dans un lave-vaisselle.
- Ne vaporisez pas de nettoyants directement sur le panneau de commande. L'humidité pénétrant dans les circuits électriques peut provoquer un choc électrique ou endommager le produit.

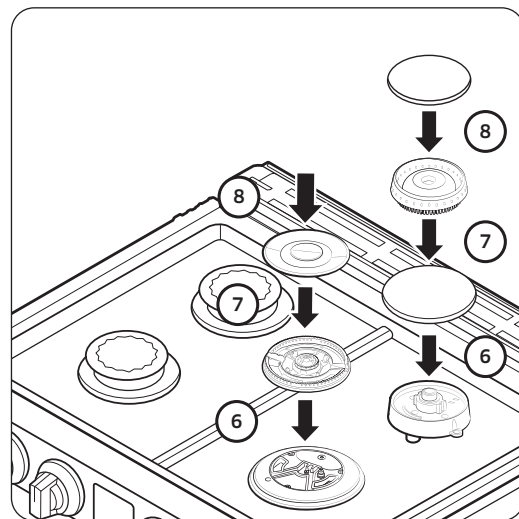
Entretien et maintenance - Table de cuisson

Grilles et composants des brûleurs

Éteignez tous les brûleurs de surface et assurez-vous qu'ils ont tous refroidi.



1. Retirez les grilles du brûleur.
2. Retirez les chapeaux de brûleur des têtes de brûleur.
3. Retirez les têtes de brûleur des collecteurs de vannes pour révéler les électrodes de démarrage.



4. Nettoyez les grilles et les composants du brûleur dans de l'eau chaude savonneuse. N'utilisez pas de tampons en laine d'acier ou de nettoyants abrasifs.
5. Rincez et séchez soigneusement les grilles et les composants du brûleur. Assurez-vous que les orifices du brûleur sont dépourvus d'eau.
6. Réassemblez les têtes de brûleur en prenant soin d'insérer une électrode de démarrage dans le trou de chaque tête.

REMARQUE

Consultez la page 83 pour plus de détails sur le remontage des composants du brûleur.

7. Réassemblez les autres composants du brûleur en veillant à ce que les chapeaux reposent à plat sur le dessus des têtes.
8. Réinstallez les grilles de brûleur dans leurs positions respectives.
9. Allumez chaque brûleur pour vérifier qu'il fonctionne correctement, puis éteignez le brûleur.

ATTENTION

- Les électrodes de démarrage ne sont pas amovibles. N'essayez pas de les retirer par la force.
- Assurez-vous que tous les composants du brûleur (têtes et chapeaux) sont correctement réinstallés. Lorsqu'ils sont correctement installés, ils sont stables et reposent à plat.
- Pour éviter les ébréchures, ne cognez pas les grilles et les chapeaux les uns contre les autres ou contre des surfaces dures telles que des ustensiles de cuisson en fonte.
- L'anneau du brûleur peut être bloqué par de la nourriture ou de la poussière. Nettoyez l'anneau s'il semble bloqué. Si vous nettoyez l'anneau avec de l'eau, ne le remontez que lorsqu'il est complètement sec. Si l'anneau est humide, il pourrait empêcher les brûleurs de s'allumer.

Chapeaux et têtes de brûleur

REMARQUE

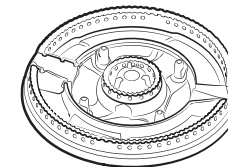
Avant de retirer les chapeaux et les têtes des brûleurs, rappelez-vous leur taille et leur emplacement. Remettez-les au même endroit après le nettoyage.

Lavez les chapeaux et les têtes de brûleur dans de l'eau chaude savonneuse et rincez-les à l'eau courante propre. Vous pouvez frotter avec une éponge ou un tampon en plastique pour enlever les particules d'aliments brûlés.

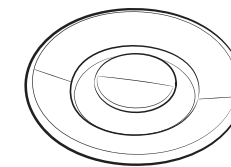
Utilisez une aiguille à coudre ou un trombone pour déboucher les petits trous de la tête du brûleur, si nécessaire.

ATTENTION

- Ne lavez aucune pièce du brûleur dans un lave-vaisselle.
- N'utilisez pas de laine d'acier ni de poudres à récurer pour nettoyer les brûleurs.



Tête de brûleur en laiton

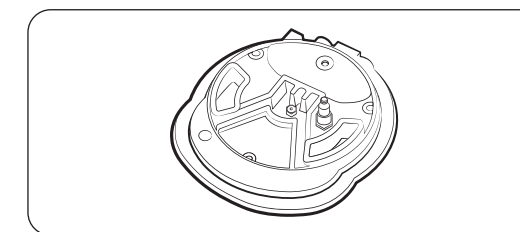


Chapeaux de brûleur en laiton

REMARQUE

- Les parties en laiton de votre brûleur changeront de couleur. Toutefois, cela n'affectera pas les performances.
- Après le nettoyage, vérifiez que tous les orifices du brûleur ne sont pas obstrués.
- Vous pouvez remplacer les chapeaux de brûleur d'origine par des chapeaux en porcelaine si vous le souhaitez.
- Pour éliminer la graisse brûlée, faites tremper le chapeau du brûleur en laiton dans une solution composée de 1 tasse d'eau et 1 cuillère à soupe de vinaigre blanc ou 1 cuillère à soupe de jus de citron. N'utilisez pas de brosse métallique pour le nettoyer. Cela peut endommager les pièces en laiton.

Bases du brûleur



ATTENTION

Les bases des brûleurs ne sont pas amovibles; n'essayez pas de les démonter. Assurez-vous que l'eau ne pénètre pas dans les bases des brûleurs et les orifices de gaz en laiton.

Essayez-les avec un chiffon humide en veillant à ne pas abîmer ou déformer les bases. Assurez-vous que les bases sont complètement sèches avant d'utiliser la table de cuisson.

Entretien et maintenance - Table de cuisson

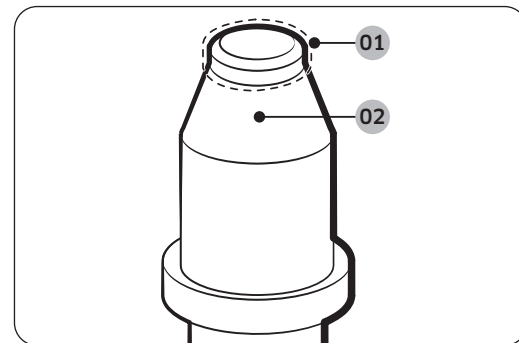
Électrodes

⚠ Avertissement

Ne pas ouvrir la vanne en touchant l'électrode. Un choc électrique pourrait se produire.

⚠ Attention

N'essayez pas de retirer l'électrode de la table de cuisson ou des bases des brûleurs.



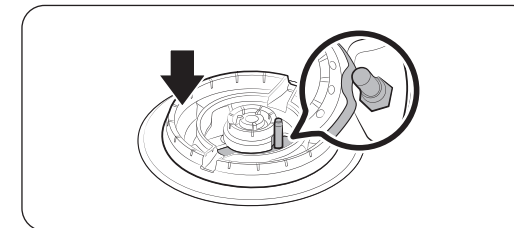
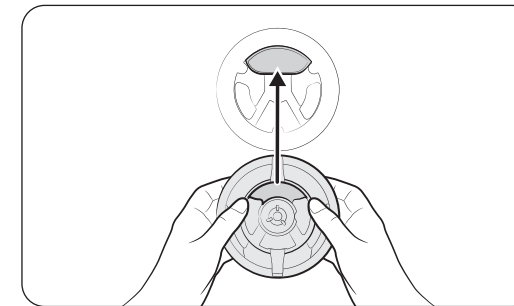
01 Partie métallique : Nettoyez cette partie métallique

02 Partie en céramique blanche : Ne nettoyez pas cette pièce en céramique blanche avec une lime à ongles

Vous ne devez jamais cuisiner pendant que vous nettoyez la table de cuisson. Assurez-vous que les électrodes en céramique blanche sont propres et sèches. Nettoyez la partie métallique avec un chiffon doux. Ne nettoyez pas les allumeurs avec de l'eau. Avant de réassembler les brûleurs de surface, appuyez doucement sur chacune des électrodes en céramique blanche pour vous assurer qu'elles sont bien appuyées contre les bases des brûleurs.

Remplacement de la tête et du chapeau du brûleur

Double tête/chapeaux de brûleur



1. Orientez la tête du brûleur de sorte que l'ouverture de l'électrode soit alignée avec l'électrode elle-même.

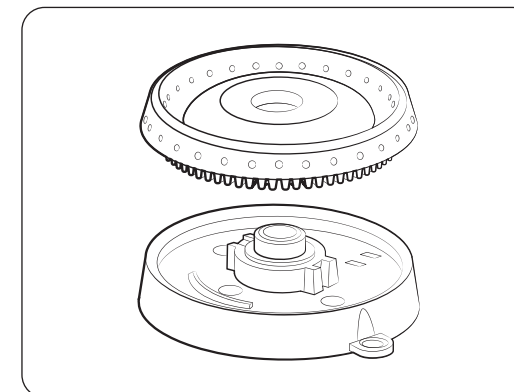
2. Installez la tête du brûleur de manière à ce que l'électrode traverse l'ouverture prévue à cet effet dans la tête. Vérifiez que la tête du brûleur repose à plat sur la table de cuisson.

3. Faites correspondre les chapeaux des brûleurs aux brûleurs par taille, puis réinstallez les capuchons sur les têtes des brûleurs.

⚠ Attention

Chaque chapeau s'adapte sur une tête de brûleur spécifique. Vérifiez que chaque chapeau est installé et repose à plat sur la bonne tête.

Têtes/chapeaux de brûleur ronds



1. Mettre les têtes de brûleur sur les bases des brûleurs. La partie inférieure de la tête s'insère dans le haut de la base du brûleur.

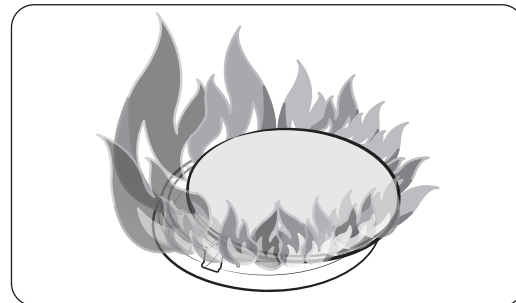
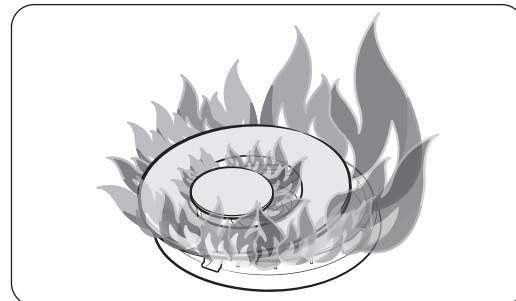
2. Tournez la tête jusqu'à ce qu'elle tombe en place, puis remuez-la pour vous assurer qu'elle est bien en place.

3. Placez les chapeaux de brûleur sur les anneaux de brûleur. L'arête de la partie inférieure de chaque chapeau s'adapte au sommet de l'anneau.

⚠ Attention

Vérifiez que toutes les pièces du brûleur sont bien en place.

Entretien et maintenance - Table de cuisson



REMARQUE

Après avoir installé les brûleurs, vérifiez qu'ils fonctionnent correctement. Des composants mal installés entraîneront un mauvais allumage ou des flammes inégales, comme le montre l'illustration de gauche. Si le brûleur présente une flamme inégale et une flamme jaune excessive, éteignez immédiatement le brûleur et laissez-le refroidir. Réajustez les chapeaux du brûleur et essayez à nouveau d'allumer le brûleur. Une bonne flamme montre une flamme entièrement bleue et uniforme autour du brûleur.

Entretien et maintenance - Four

Entretien et nettoyage du four

AVERTISSEMENT

Assurez-vous que l'appareil est hors tension et que toutes les surfaces sont refroidies avant de nettoyer une partie quelconque de l'appareil.

Nettoyage des pièces peintes et des garnitures décoratives

- Pour un nettoyage général, utilisez un chiffon avec de l'eau chaude savonneuse.
- Pour les résidus plus difficiles et les graisses accumulées, appliquez un détergent liquide directement sur la zone concernée et laissez agir pendant 30 à 60 minutes. Essuyez avec un chiffon humide et séchez. N'utilisez pas de matériaux ou de substances abrasives sur les surfaces du four. Elles risquent d'être rayées.

Nettoyage des surfaces en acier inoxydable

1. Secouez bien une bouteille de nettoyant ou de produit de polissage pour appareils en acier inoxydable.
2. Déposez une petite quantité de produit de nettoyage ou de polissage pour appareils en acier inoxydable sur un chiffon humide ou une serviette en papier humide.
3. Nettoyez une petite surface, en frottant le long du grain de l'acier inoxydable, le cas échéant.
4. Séchez et polissez avec une serviette en papier propre et sèche ou un chiffon doux.

REMARQUE

Certaines serviettes en papier ont tendance à rayer l'acier inoxydable, faites un essai sur un endroit peu visible avant de les utiliser.

5. Répétez l'opération si nécessaire.

REMARQUE

- N'utilisez pas de tampon en laine d'acier. Elle rayerait la surface.
- Si un nettoyant pour appareils en acier inoxydable à base d'huile minérale a été utilisé auparavant pour nettoyer l'appareil, lavez la surface avec du liquide vaisselle et de l'eau avant d'utiliser le nettoyant ou le poli pour appareils en acier inoxydable.

Filtre à convection

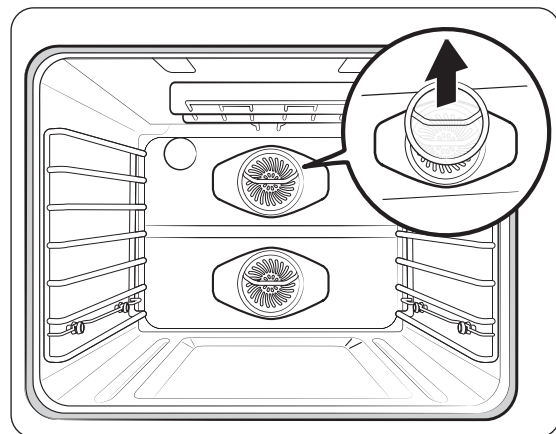
Les filtres à convection sont situés à l'arrière de chaque chambre du four. Nettoyez-les régulièrement. Si vous les laissez se boucher, les modes de cuisson par convection du four ne fonctionneront pas correctement.

REMARQUE

Pour votre sécurité et le bon fonctionnement du four, réinstallez les filtres de convection avant de cuisiner.

Entretien et maintenance - Four

Retrait du filtre à convection du four

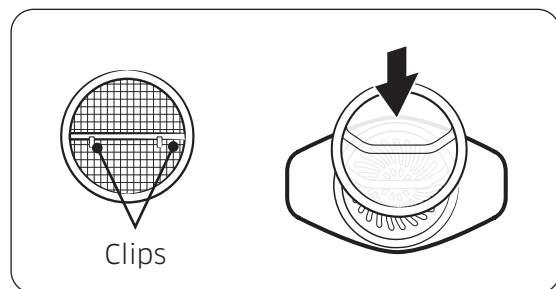


Lorsque le four est froid, placez vos doigts autour des bords du filtre et poussez doucement vers le haut.

Pour nettoyer le filtre

Faites tremper le filtre dans de l'eau chaude savonneuse, puis rincez-le bien. Vous pouvez également le placer dans un lave-vaisselle sur le panier supérieur. Séchez le filtre avant de le réinstaller.

Installation du filtre à convection de votre four



Accrochez soigneusement les clips métalliques situés à l'arrière du filtre sur la barre métallique située en travers de l'orifice du ventilateur. Veillez à ce qu'il soit centré sur le trou. Veillez à ne pas rayer les surfaces en porcelaine avec l'arrière du filtre.

Plateau pour friture par application d'air

Pour maintenir le plateau pour friture par application d'air propre, retirez-le de la cavité et trempez-le dans de l'eau tiède savonneuse. Ensuite, enlevez la saleté du plateau pour friture par application d'air à l'aide d'un tampon à récurer en plastique.

REMARQUE

Le plateau pour friture par application d'air peut être mis au lave-vaisselle.

ATTENTION

Ne laissez pas le plateau pour friture par application d'air dans le four pendant le cycle d'autonettoyage. La chaleur extrême générée par ce cycle peut décoller de façon permanente le revêtement de l'air fry, sa couleur deviendra légèrement bleue et sa finition sera terne.

Grilles du four

- Il est recommandé de retirer les grilles, mais si elles sont laissées dans le four pendant un cycle d'autonettoyage, leur couleur deviendra légèrement bleue et la finition sera terne. Une fois le cycle d'autonettoyage terminé et le four refroidi, frottez les côtés des grilles avec du papier ciré ou un chiffon contenant une petite quantité d'huile. Cela aidera les grilles à glisser plus facilement sur leurs rails.
- Les grilles coulissantes peuvent être nettoyées à la main avec un produit abrasif ou de la laine d'acier. Au cours du nettoyage, faites attention à ce que l'eau ou le nettoyant ne pénètre pas dans les glissières situées sur les côtés de la grille.

REMARQUE

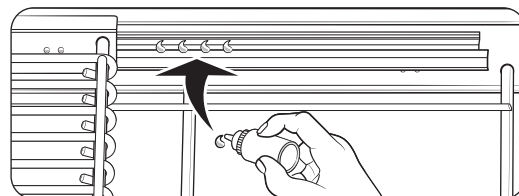
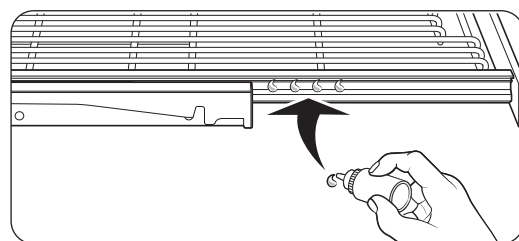
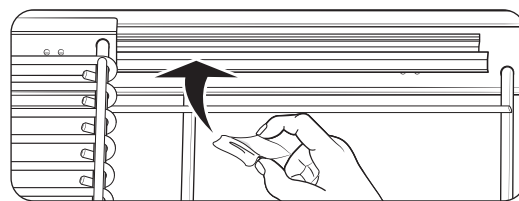
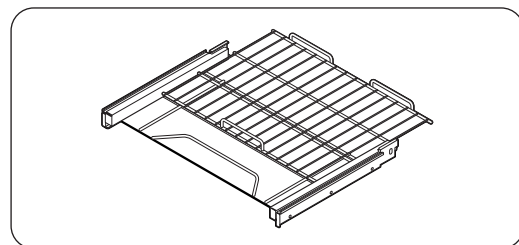
- Ne nettoyez pas les grilles du four dans un lave-vaisselle.
- Si la grille devient difficile à enlever ou à replacer, essuyez légèrement les glissières de la grille du four avec de l'huile de cuisson. N'essuyez pas d'huile de cuisson sur les glissières.
- Si la grille devient difficile à faire glisser, il peut être nécessaire de la lubrifier avec un lubrifiant à base de graphite.
- Le lubrifiant graphite est disponible dans le commerce. Vérifiez que le lubrifiant est approuvé par la FDA.

ATTENTION

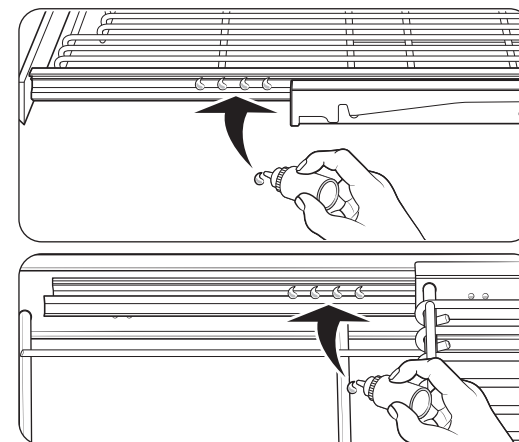
- Ne laissez pas les grilles dans le four pendant le cycle d'autonettoyage. La chaleur extrême générée par ce cycle peut décoller de façon permanente le revêtement des grilles et rendre leur retrait difficile.
- Ne vaporisez pas d'huile de cuisson ou de lubrifiant directement sur la grille de glissement.

Entretien et maintenance - Four

Pour lubrifier les glissières de la grille coulissante



1. Retirez la grille du four. Voir le retrait de la grille coulissante dans la **Utilisation de la grille coulissante** la section à la page 43.
2. Déployez complètement la grille sur une table ou un comptoir. Vous pouvez placer du papier journal sous la grille pour faciliter le nettoyage.
3. Si des débris se trouvent dans les glissières, essuyez-les à l'aide d'une serviette en papier. (Tout lubrifiant graphite essuyé doit être remplacé - voir les étapes 4 à 7).
4. Secouez le lubrifiant graphite avant de l'ouvrir. À partir du mécanisme de glissement gauche (avant et arrière) de la grille, déposez quatre (4) petites gouttes de lubrifiant sur les deux (2) pistes inférieures de la glissière, près des supports de roulement.



5. Répétez l'opération pour le mécanisme de glissement droit (avant et arrière) de la grille.
6. Ouvrez et fermez la grille plusieurs fois pour répartir le lubrifiant.
7. Remettez le bouchon sur le lubrifiant et agitez-le à nouveau. Retournez la grille et répétez les étapes 3, 4, 5 et 6.
8. Fermez la grille, retournez la grille à l'endroit, puis installez-la dans le four. Consultez **Installation de la grille coulissante** à la page 43.

REMARQUE

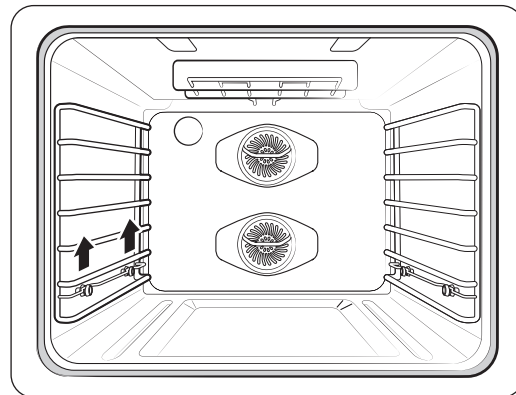
Ne vaporisez pas la grille coulissante avec un spray de cuisson ou tout autre spray lubrifiant.

Entretien et maintenance - Four

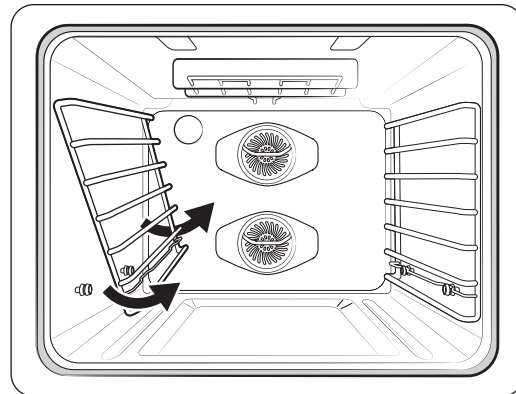
Supports à échelle

Les supports à échelle peuvent être retirés pour un nettoyage manuel ou pour éviter une décoloration pendant un cycle d'autonettoyage.

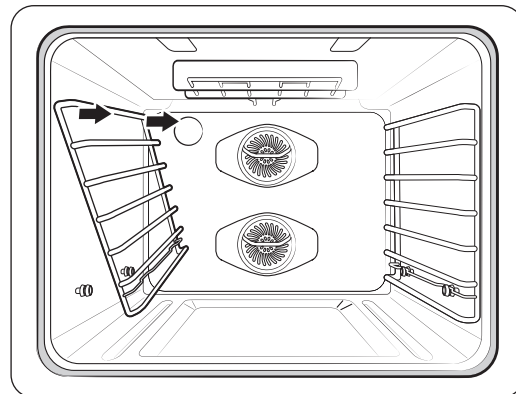
Retrait des supports à échelles



1. Saisissez le guide de grille de la position 2, puis soulevez le porte-échelle tout droit. Cela libère le support à échelle de ses deux supports sur la paroi du four.

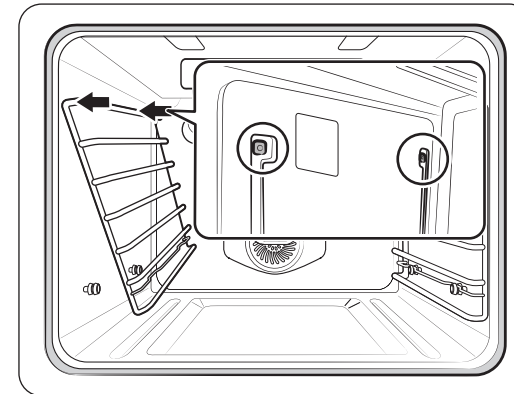


2. Faites pivoter le support à échelle d'environ 45°.

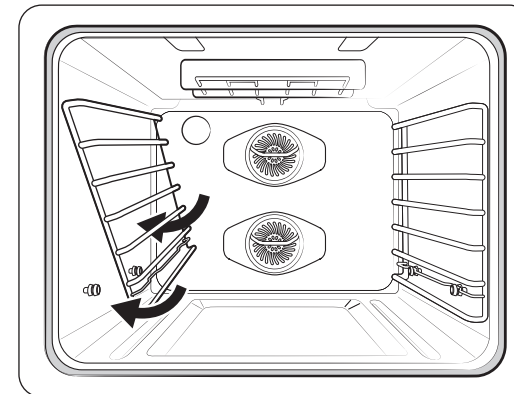


3. Tirez sur le support pour l'éloigner de la paroi du four et le retirer des deux trous de support situés sur la paroi du four.
4. Répétez cette procédure avec le support d'échelle sur la paroi opposée.

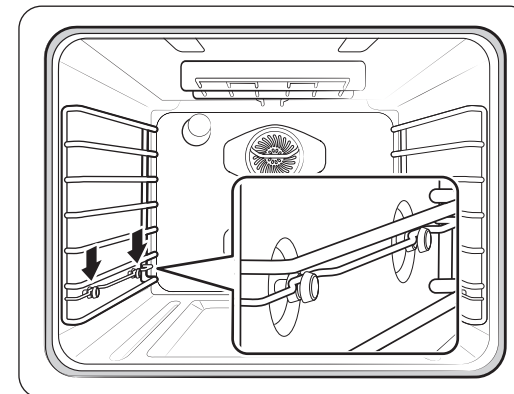
Remplacement des supports à échelle



1. Remettez le haut du support d'échelle dans les deux trous de support de la paroi du four.



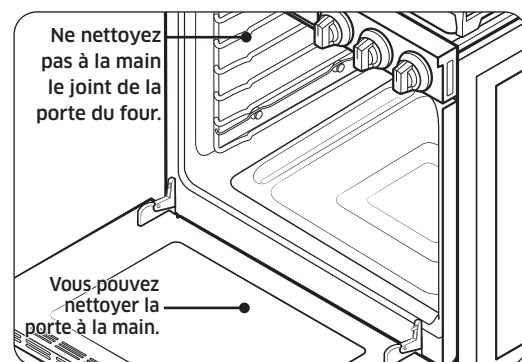
2. Faites pivoter le support d'échelle vers la paroi du four.



3. Tirez vers le haut sur le guide de grille de la position 2, puis enfoncez la grille dans les deux supports de la paroi du four.
4. Répétez cette procédure avec le support d'échelle sur la paroi opposée.

Entretien et maintenance - Four

Porte du four

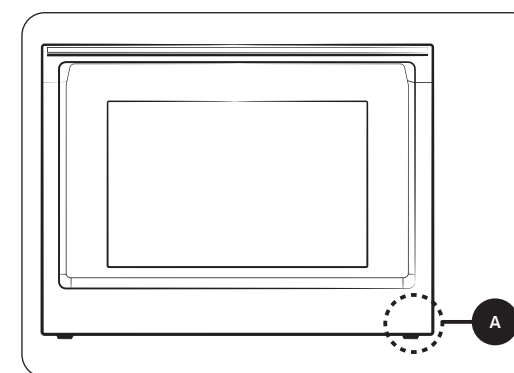


- Utilisez de l'eau et du savon pour nettoyer à fond le dessus, les côtés et l'avant de la porte du four. Rincez bien. Vous pouvez utiliser un nettoyant pour vitres sur la vitre extérieure de la porte du four. **NE PAS immerger la porte dans l'eau. NE VAPORISEZ PAS et ne laissez pas l'eau ou le nettoyant pour vitres pénétrer dans les orifices de la porte.** N'utilisez PAS de nettoyant pour four, de poudre nettoyante ou de produit de nettoyage abrasif sur l'extérieur de la porte du four.
- **NE NETTOYEZ PAS le joint de la porte du four.** Le joint de la porte du four est constitué d'un matériau tissé qui est essentiel pour assurer une bonne étanchéité. Veillez à ne pas frotter, endommager ou retirer ce joint.

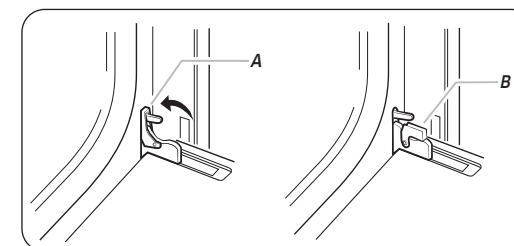
Retrait des portes du four

⚠ ATTENTION

- La porte est très lourde. Faites attention lorsque vous la retirez et la soulevez.
- Ne soulevez pas la porte par la poignée. Utilisez les deux mains pour retirer la porte du four.
 - Faites attention lorsque vous déplacez la porte du four. Une manipulation incorrecte pourrait entraîner des blessures physiques.
 - Pour éviter tout risque de choc électrique, assurez-vous que le four est éteint avant de retirer la porte du four.



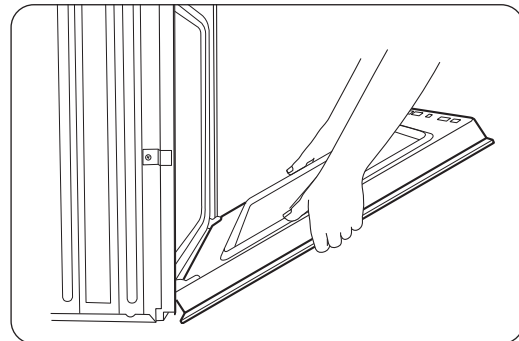
1. Avant de retirer la porte du four, préparez une surface où vous la placerez. Cette surface doit être plane et recouverte d'une couverture souple. Vous pouvez également utiliser les poteaux d'angle de votre matériel d'emballage.



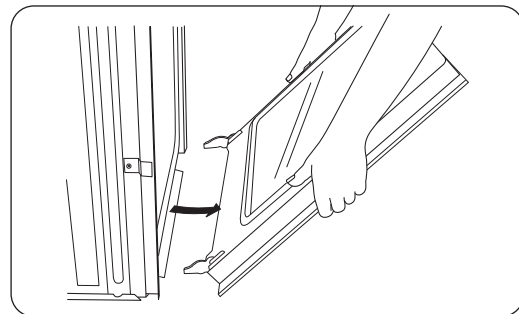
- A. Verrouillage de la charnière de la porte du four en position verrouillée
- B. Verrouillage de la charnière de la porte du four en position déverrouillée

2. Ouvrez la porte du four.
3. Aux coins inférieurs de la porte, faites pivoter les verrous de charnière à fond pour les déverrouiller; sinon, la porte ne peut pas être retirée.

Entretien et maintenance - Four



4. Fermez partiellement la porte pour engager les verrous du loquet de la porte. La porte s'arrête à ce stade.

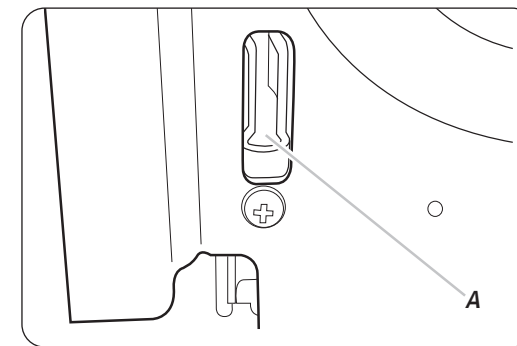


5. Saisissez chaque côté de la porte sous la poignée et soulevez légèrement la porte pour exposer le câblage à la base.
6. Mettez la porte du four de côté sur la surface de travail couverte préparée, la porte du four reposant sur sa poignée.

Réinstallation des portes du four

⚠ ATTENTION

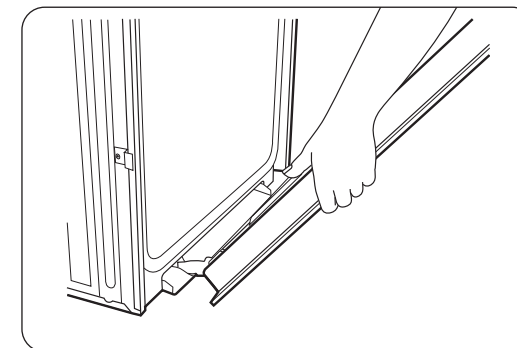
La porte est très lourde. Vous aurez peut-être besoin d'aide pour la soulever suffisamment pour la faire glisser dans les fentes des charnières. Ne soulevez pas la porte par la poignée.



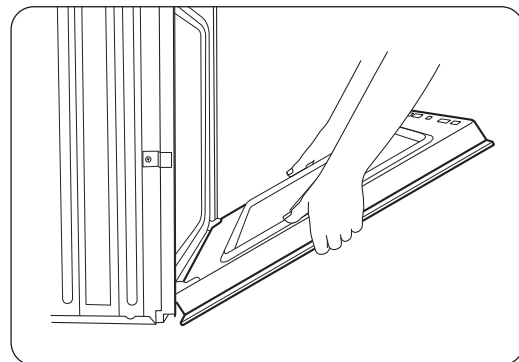
- A. Fente dans la cavité du four pour le verrouillage des charnières de la porte.

1. À deux mains, saisissez les bords latéraux de la porte au milieu. Faites face à la cavité du four.

2. Placez la porte près de l'appareil.
3. Repérez les fentes de chaque côté de la cavité du four pour le verrouillage des charnières de la porte.
4. Tenez la porte à un angle de 45°, puis alignez les charnières de la porte avec les fentes situées dans la partie inférieure avant de la cavité du four. Insérez lentement la porte en veillant à maintenir l'angle de 45°. Vous saurez que la porte est engagée dans la fente lorsque vous sentirez une légère chute.



Entretien et maintenance - Four



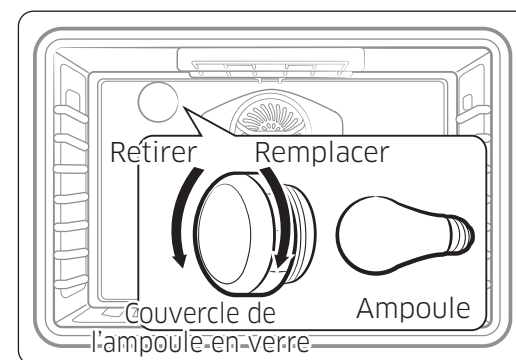
- Ouvrez la porte complètement. Si la porte du four ne s'ouvre pas complètement à 90 °, répétez les étapes 1 à 4.
- Aux coins inférieurs de la porte, basculez les verrous des charnières vers l'avant pour les verrouiller. Reportez-vous à l'étape 3 (illustration A) de la section **Retrait des portes du four** pour connaître la position de verrouillage correcte.
- Fermez la porte du four.

REMARQUE

Lorsque les charnières sont correctement installées et que la porte est fermée, il doit y avoir un espace régulier entre la porte et le panneau de commande. Si un côté de la porte du four pend plus bas que l'autre, la charnière de ce côté n'est pas correctement installée.

Éclairage du four

L'éclairage du four est une ampoule standard de 40 watts. Elle s'allume lorsque vous ouvrez la porte du four.



- Éteignez le four.
- Assurez-vous que le four et l'éclairage du four sont froids.
- Ouvrez la porte et retirez le couvercle en verre en le tournant dans le sens inverse des aiguilles d'une montre.
- Retirez la lampe du four de la douille en la tournant dans le sens antihoraire.
- Insérez une nouvelle ampoule de 40 watts dans la douille, puis tournez-la dans le sens horaire pour la serrer.
- Remettez le couvercle en verre en place, puis tournez-le dans le sens horaire pour le serrer.

ATTENTION

Pour éviter tout risque d'électrocution, assurez-vous que le four est éteint et froid avant de remplacer l'éclairage du four.

REMARQUE

- L'éclairage du four ne fonctionne pas pendant le cycle d'autonettoyage.
- Retirez les grilles si elles vous empêchent d'accéder à l'éclairage du four.

Dépannage

Si vous rencontrez un problème inattendu, cherchez d'abord une solution dans les tableaux ci-dessous. Si le problème persiste après avoir essayé la solution suggérée, appelez le 833-353-5483(USA), 844-509-4659 (CANADA).

Sécurité en matière de gaz

Problème	Cause possible	Action
Vous sentez une odeur de gaz.	Le bouton du brûleur de surface n'est pas en position Off (arrêt) et le brûleur n'est pas allumé.	Tournez le bouton du brûleur sur Off (arrêt) .
	Il y a une fuite de gaz.	Libérez la pièce, le bâtiment ou la zone de tous les occupants. Appelez immédiatement votre fournisseur de gaz depuis le téléphone d'un voisin. N'appellez pas depuis votre téléphone. Il est électrique et pourrait provoquer une étincelle qui pourrait enflammer le gaz. Suivez les instructions de la compagnie de gaz. Si votre compagnie de gaz n'est pas joignable, appelez les pompiers.

Brûleur de surface

Problème	Causes possibles	Action
Tous les brûleurs ne s'allument pas.	Le cordon d'alimentation n'est pas branché dans la prise électrique.	Assurez-vous que la fiche électrique est branchée dans une prise de courant sous tension et correctement mise à la terre.
	Il se peut qu'un fusible soit grillé dans votre maison ou que le disjoncteur se soit déclenché.	Remplacez le fusible ou réinitialisez le disjoncteur.
	L'alimentation en gaz n'est pas correctement raccordée ou allumée.	Consultez les instructions d'installation fournies avec votre cuisinière.

Problème	Causes possibles	Action
Les brûleurs de surface ne s'allument pas.	Le bouton de commande n'est pas réglé correctement.	Enfoncez le bouton de commande et tournez-le à la position Lite.
	Les chapeaux de brûleurs ne sont pas en place. La base du brûleur est mal alignée.	Nettoyez les électrodes. Mettez le chapeau du brûleur sur la tête du brûleur. Alignez la base du brûleur.
Le brûleur de surface émet un clic pendant le fonctionnement.	Le bouton de commande a été laissé en position Lite.	Une fois le brûleur allumé, tournez le bouton de commande jusqu'au réglage souhaité. Si le brûleur émet toujours un clic, contactez un technicien de service.
Les brûleurs ne brûlent pas uniformément.	Les composants et les chapeaux du brûleur de surface ne sont pas assemblés correctement et de niveau.	Consultez la page 83 .
	Les brûleurs de surface sont sales.	Nettoyez les composants du brûleur de surface. (Consultez la page 77 .)
Flammes du brûleur de surface très grandes ou jaunes.	Le mauvais orifice de brûleur est installé.	Vérifiez la taille de l'orifice du brûleur. Contactez votre installateur si vous avez le mauvais orifice (gaz GPL au lieu de gaz naturel ou gaz naturel au lieu de gaz GPL).
Les brûleurs de surface s'allument mais les brûleurs du four ne s'allument pas.	Le verrouillage de la porte du four est activé.	L'écran affiche l'icône Verrou. Maintenez la porte du four ouverte et Tapez et maintenez la touche Settings (réglages) pendant 3 secondes. Le four émet un bip et l'icône Verrou s'éteint.
	L'interrupteur d'arrêt du régulateur de pression de gaz est en position d'arrêt.	Appelez un technicien de service qualifié.

Dépannage

Affichage des commandes

Problème	Cause possible	Solution
L'affichage est vide.	Il se peut qu'un fusible soit grillé dans votre maison ou que le disjoncteur soit déclenché.	Remplacez le fusible ou réinitialisez le disjoncteur.
Les commandes tactiles ne répondent pas lorsqu'on les effleure	Des corps étrangers sont coincés entre les boutons	Retirez les corps étrangers et réessayez.
	Il y a de l'humidité à l'extérieur	Retirez l'humidité et réessayez.
	La fonction de verrouillage est activée	Vérifiez si la fonction de verrouillage est activée.

Four

Problème	Cause	Action
La commande du four émet un bip et affiche un code d'information.	Il se peut qu'il y ait un problème avec votre four. Consultez le tableau Codes d'information à la page 107 .	Tournez le bouton du brûleur sur Off (arrêt), puis redémarrez le four. Si le problème persiste, débranchez toute l'alimentation de la cuisinière pendant au moins 30 secondes, puis rebranchez-la. Si cela ne résout pas le problème, appelez un technicien.
Le four ne s'allume pas.	Le four n'est pas complètement branché dans la prise électrique.	Assurez-vous que la fiche électrique est complètement insérée dans une prise sous tension et correctement mise à la terre.
	Il se peut qu'un fusible soit grillé dans votre maison ou que le disjoncteur se soit déclenché.	Remplacez le fusible ou réinitialisez le disjoncteur.
La température du four est trop chaude ou trop froide.	Le thermostat du four doit être réglé.	Consultez la page 73 .

Problème	Cause	Action
Le brûleur du four ne s'éteint pas.	Le verrouillage de la porte du four est activé.	L'écran affiche l'icône Verrou. Maintenez la porte du four ouverte et tapez et maintenez la touche Settings (réglages) pendant 3 secondes. Le four émet un bip et l'icône de verrouillage s'éteint.
	La fonction Sabbath a été activée.	SAb et l'heure du jour s'affichent à l'écran. Toutes les autres commandes et signaux seront désactivés. Pour éteindre le four uniquement, tournez le bouton sur Off (arrêt). Pour annuler la fonction Sabbath et réactiver les commandes et signaux, tapez et maintenez la touche OK pendant 3 secondes.
Le ventilateur du four fait du bruit ou ne s'éteint pas. * Modèle de four encastrable uniquement.	Le ventilateur de refroidissement n'est pas visible, mais vous l'entendrez tourner dès que les éléments électroniques deviennent chauds et il s'éteindra quand ceux-ci seront froids.	Il s'agit d'un processus normal pour refroidir le four, le ventilateur de refroidissement s'éteint automatiquement lorsque le four devient froid.

Dépannage

Problème	Cause	Action
L'éclairage du four (lampe) ne s'allume pas.	Le verrouillage de la porte du four est activé.	L'écran affiche l'icône Verrou. Maintenez la porte du four ouverte, puis appuyez sur la touche Réglages pendant 3 secondes. Le four émet un bip et l'icône de verrouillage s'éteint.
	La fonction Sabbath a été activée.	SAB et l'heure du jour s'affichent à l'écran. Toutes les autres commandes et signaux seront désactivés. Pour annuler la fonction Sabbath et réactiver l'interrupteur d'éclairage et les autres commandes, appuyez sur OK pendant 3 secondes.
	Une ampoule mal fixée ou brûlée.	Consultez la page 97 .
	L'interrupteur qui commande l'éclairage du four doit être remplacé.	Faites appel à un technicien de service qualifié.
Le four fume excessivement pendant la cuisson au gril.	La viande ou les aliments n'ont pas été correctement préparés avant d'être grillés.	Coupez l'excès de graisse et/ou les bords gras qui risquent de s'enrouler.
	La grille supérieure du four est mal positionnée.	Consultez le guide de cuisson au gril à la page 45 .
	Les commandes ne sont pas réglées correctement.	Consultez la page 32 .
	Accumulation de graisse sur les surfaces du four.	Un nettoyage régulier est nécessaire lorsque vous faites fréquemment griller des aliments.
La cuisson est terminée, mais le ventilateur de refroidissement fonctionne toujours.	Le ventilateur fonctionne automatiquement pendant un certain temps pour ventiler l'intérieur du four.	Il ne s'agit pas d'un dysfonctionnement du produit. Le ventilateur est conçu pour fonctionner automatiquement pendant un certain temps pour refroidir le four.

Problème	Cause	Action
Le four ne s'auto-nettoie pas.	Le verrouillage de la porte du four est activé.	L'écran affiche l'icône Verrou. Maintenez la porte du four ouverte, puis appuyez sur Réglages pendant 3 secondes. Le four émet un bip et l'icône Verrou s'éteint.
	Le Smart Divider (séparateur intelligent) est installé dans le four.	l'auto-nettoyage ne fonctionne pas si le séparateur intelligent est installé. Retirez-le du four.
	Le four est trop chaud.	Laissez le four refroidir, puis réinitialisez les commandes. Le cycle d'auto-nettoyage ne verrouille pas la porte du four si la température du four est trop élevée. La porte doit se verrouiller avant que le cycle d'auto-nettoyage puisse commencer.
	Les commandes du four auto-nettoyant ne sont pas réglées correctement.	Réinitialisez les commandes du four auto-nettoyant (Consultez la page 61 .)
	Un brûleur de surface est allumé.	Éteignez le brûleur de surface. L'auto-nettoyage ne fonctionne pas si un brûleur de surface est allumé.
	Un bruit de crépitement ou d'éclatement.	C'est normal.
Une fumée excessive pendant un cycle d'auto-nettoyage.	Il s'agit de la première fois que le four a été nettoyé.	C'est normal. Le four fumera toujours davantage la première fois qu'il sera nettoyé. Essayez toute saleté excessive avant de lancer le cycle d'auto-nettoyage. Si la fumée persiste, tournez le bouton du brûleur sur Off (arrêt). Ouvrez les fenêtres pour évacuer la fumée de la pièce. Une fois le four refroidi et déverrouillé, essuyez les salissures excessives, puis réinitialisez le four pour l'auto-nettoyage.

Dépannage

Problème	Cause	Action
La porte du four ne s'ouvrira pas après un cycle d'autonettoyage.	C'est normal.	La porte du four reste verrouillée jusqu'à ce que la température du four descende en dessous de 400 °F.
Le four n'est pas propre après un cycle d'autonettoyage.	Une fine poussière ou des cendres sont normales.	Vous pouvez les nettoyer à l'aide d'un chiffon humide. Réglez le cycle d'autonettoyage sur une durée plus longue. Le cycle n'a pas été assez long pour brûler les saletés accumulées. Les fours extrêmement sales doivent être nettoyés à la main pour éliminer les débordements et les accumulations d'aliments avant de lancer un cycle d'autonettoyage. Plusieurs cycles d'autonettoyage peuvent être nécessaires pour nettoyer complètement le four.
De la vapeur ou de la fumée s'échappe du dessous du panneau de commande.	C'est normal.	L'évent du four se trouve à cet endroit. La vapeur est plus importante lorsque vous utilisez les fonctions de convection ou lorsque vous faites cuire ou rôtir plusieurs aliments en même temps.
Une odeur de brûlé ou d'huile s'échappe de l'évent.	Ce phénomène est normal pour un four neuf et disparaîtra dans la 1/2 heure suivant le premier cycle de cuisson.	Pour accélérer le processus, réglez un cycle d'autonettoyage d'une durée minimale de 3 heures. (Consultez la page 61 .)
Odeur forte.	Cette odeur est temporaire.	L'isolation de l'intérieur du four dégage une odeur les premières fois que le four est utilisé.

Problème	Cause	Action
Les grilles du four sont difficiles à faire glisser.	C'est normal.	Appliquez une petite quantité d'huile végétale sur une serviette en papier, puis essuyez les bords des grilles du four avec la serviette en papier. Les grilles deviennent ternes et difficiles à faire glisser si elles sont laissées dans le four pendant un cycle d'autonettoyage.
Bruit du ventilateur.	C'est normal.	Le ventilateur de convection fonctionne jusqu'à ce que la fonction soit terminée ou que la porte soit ouverte.
Le ventilateur de convection ne fonctionne pas.	C'est normal.	Le ventilateur démarre automatiquement lorsque le four atteint la température de préchauffage.

Autres

Problème	Cause	Action
L'appareil n'est pas de niveau.	L'appareil a été installé de manière incorrecte. Le(s) pied(s) de mise à niveau est (sont) endommagé(s) ou inégal(s).	Assurez-vous que le sol est de niveau, solide et stable. Si le plancher s'affaisse ou est en pente, contactez un menuisier. Vérifiez et mettez la cuisinière à niveau. (Voir les instructions d'installation.)
	Les armoires de cuisine ne sont pas correctement alignées et donnent l'impression que la cuisinière n'est pas de niveau.	Assurez-vous que les armoires sont d'équerre et offrent suffisamment d'espace pour l'installation.

Dépannage

Problème	Cause	Action
L'affichage est vide.	Le disjoncteur de fuite à la terre (GFI ou GFCI) de la prise électrique a été déclenché et doit être réinitialisé. Votre commande numérique a été endommagée.	Remplacez le fusible ou réinitialisez le disjoncteur.
Les aliments ne cuisent pas ou ne rôtissent pas correctement dans le four.	Le mode de cuisson sélectionné n'est pas le bon.	Consultez la page 35 .
	Les grilles du four n'ont pas été positionnées correctement pour les aliments à cuire.	Consultez la page 40 .
	Un ustensile de cuisine inapproprié ou de taille inadéquate est utilisé.	Consultez la page 27 .
	Il y a du papier d'aluminium sur les grilles ou sur la sole du four.	Retirez la feuille d'aluminium.
	L'horloge ou les minuteries ne sont pas réglées correctement.	Consultez la page 32 .
Les aliments ne grillent pas correctement dans le four.	Les commandes du four ne sont pas réglées correctement.	Consultez la page 32 .
	La porte du four n'a pas été fermée pendant la cuisson au gril.	Fermez la porte du four pendant la cuisson au gril.
	La grille n'a pas été correctement positionnée.	Consultez le guide de cuisson au gril à la page 45 .

Codes d'information

Four

Code affiché	Cause possible	Solution
C-d0	Ce code apparaît si la touche de commande est court-circuité pendant 1 minute.	Nettoyez les touches et assurez-vous qu'il n'y a pas d'eau sur/autour d'elles. Éteignez le four et réessayez. Si le problème persiste, contactez un centre de service Dacor local.
C-d1	Ce code se produit si le verrouillage de la porte est mal positionné.	Tournez le bouton du brûleur sur Off (arrêt), puis redémarrez le four. Si le problème persiste, débranchez toute l'alimentation du four pendant au moins 30 secondes, puis rebranchez-la. Si cela ne résout pas le problème, appelez un technicien.
C-F0	Ce code apparaît si la communication entre la carte de circuit imprimé principale et la carte de circuit imprimé secondaire est interrompue.	
C-F2	Ce code se produit si la communication entre le Main et le Touch est interrompue.	
C-20	Le capteur du four est ouvert lorsque le four fonctionne.	
	Le capteur du four est court-circuité lorsque le four fonctionne.	
C-21	Ce code se produit si la température interne augmente de façon anormale.	Redémarrez l'appareil.
C-22	Le capteur du circuit imprimé secondaire est ouvert lorsque le four fonctionne.	Tournez les boutons de sélection du mode et de la température sur Off (arrêt), puis redémarrez le four. Si le problème persiste, débranchez toute l'alimentation du four pendant au moins 30 secondes, puis rebranchez-la. Si cela ne résout pas le problème, appelez un technicien.
	Le capteur du circuit imprimé secondaire est en court-circuit lorsque le four fonctionne.	

Dépannage

Code affiché	Cause possible	Solution
C-23	Le capteur de la sonde de température est en court-circuit lorsque le four fonctionne.	Tournez le bouton du brûleur sur Off (arrêt), puis redémarrez le four. Si le problème persiste, débranchez toute l'alimentation du four pendant au moins 30 secondes, puis rebranchez-la. Si cela ne résout pas le problème, appelez un technicien.
C-30	Le capteur de la carte de circuit imprimé est ouvert lorsque le four fonctionne. Le capteur de la carte de circuit imprimé est court-circuité lorsque le four fonctionne.	
C-31	Ce code se produit si la température de la carte de circuit imprimé est anormalement élevée.	Appeler le service après-vente
C-A2	Le moteur de refroidissement fonctionne anormalement.	Appelez le service après-vente.

Garantie et service

Garantie

Ce qui est couvert

CERTIFICAT DE GARANTIES : GAMMES DACOR

DANS LES CINQUANTE ÉTATS DES ÉTATS-UNIS, LE DISTRICT DE COLUMBIA ET LE CANADA :

GARANTIE COMPLÈTE DE DEUX ANS

La garantie s'applique uniquement à l'appareil Dacor vendu à l'acheteur de la première utilisation, à partir de la date d'achat au détail originale ou de la date de clôture de la nouvelle fabrication, selon la période la plus longue. La garantie est valable pour les produits achetés neufs auprès d'un revendeur agréé Dacor ou d'un autre vendeur autorisé par Dacor.

Si votre produit Dacor ne fonctionne pas dans l'année qui suit la date d'achat initiale, en raison d'un défaut de matériau ou de fabrication, Dacor y remédiera sans frais pour vous.

Tous les dommages esthétiques (tels que les rayures sur l'acier inoxydable, les taches de peinture/porcelaine, etc.) du produit ou des accessoires inclus doivent être signalés à Dacor dans les 60 jours suivant la date d'achat initiale pour pouvoir bénéficier de la garantie. Les pièces consommables telles que les filtres et les ampoules ne sont pas couvertes et relèvent de la responsabilité de l'acheteur.

LIMITES DE LA COUVERTURE

Le service sera fourni par une société de service désignée par Dacor pendant les heures normales de bureau. Veuillez noter que les fournisseurs de services sont des entités indépendantes et ne sont pas des agents de Dacor.

Les produits exposés par les revendeurs et les maisons modèles dont la date de production est supérieure à 5 ans, les produits vendus « tels quels » et les produits installés pour un usage non résidentiel, ce qui inclut, sans s'y limiter, les organisations religieuses, les casernes de pompiers, les chambres d'hôtes et les spas, sont couverts par une garantie d'un an sur les pièces uniquement. Tous les frais de livraison, d'installation, de main-d'œuvre et autres frais de réparation sont à la charge de l'acheteur.

La garantie sera nulle et non avenue sur les produits dont les numéros de série et les étiquettes sont altérés, dégradés ou manquants.

Le propriétaire doit fournir une preuve d'achat ou une déclaration de clôture pour une nouvelle construction sur demande. Tous les produits Dacor doivent être accessibles pour la réparation.

La garantie est nulle et non avenue si un produit non approuvé ETL ou non CUL est transporté depuis les États-Unis.

Garantie et service

EN DEHORS DES CINQUANTE ÉTATS DES ÉTATS-UNIS, DU DISTRICT DE COLUMBIA ET DU CANADA :

GARANTIE LIMITÉE DE DEUX ANS

Si votre produit Dacor ne fonctionne pas dans les deux ans suivant la date d'achat originale en raison d'un défaut de matériau ou de fabrication, Dacor fournira une nouvelle pièce, F.O.B. usine pour remplacer la pièce défectueuse.

Tous les frais de livraison, d'installation, de main-d'œuvre et autres frais de réparation sont à la charge de l'acheteur.

Ce qui n'est pas couvert

- De légères variations de couleur peuvent être remarquées en raison des différences dans les pièces peintes, l'éclairage de la cuisine, le placement des produits et d'autres facteurs; cette garantie ne s'applique pas aux variations de couleur.
- Appels de service pour former le client à l'utilisation et à l'entretien corrects du produit.
- Frais de service pour les déplacements vers les îles et les régions éloignées, qui comprennent, sans s'y limiter, les ferries, les routes à péage ou d'autres frais de déplacement.
- Dommages indirects ou accessoires, y compris, mais sans s'y limiter, la perte de nourriture ou de médicaments, le temps d'absence du travail ou les repas au restaurant.
- Défaillance du produit lorsqu'il est utilisé à des fins commerciales, d'affaires, de location ou pour toute application autre qu'un usage résidentiel grand public.
- Défaillance du produit causée par une mauvaise installation du produit.
- Remplacement des fusibles de la maison, des boîtes à fusibles ou réarmement des disjoncteurs.
- Dommages au produit causés par un accident, un incendie, une inondation, une coupure de courant, des surtensions ou d'autres catastrophes naturelles.
- Responsabilité ou responsabilité pour les dommages aux biens environnants, y compris les armoires, les sols, les plafonds et autres structures ou objets autour du produit.
- Bris, décoloration ou dommages au verre, aux surfaces métalliques, aux composants en plastique, aux garnitures, à la peinture ou à toute autre finition cosmétique causés par une utilisation, un entretien, un abus ou une négligence inappropriés.

Hors garantie

Si vous rencontrez un problème de service au-delà de la période de garantie standard, veuillez nous contacter. Dacor examine chaque problème et préoccupation du client pour fournir la meilleure solution possible en fonction des circonstances.

LES RECOURS PRÉVUS DANS LES GARANTIES EXPRESSES CI-DESSUS SONT LES SEULS ET UNIQUES RECOURS. PAR CONSÉQUENT, AUCUNE AUTRE GARANTIE EXPRESSE N'EST OFFERTE, ET EN DEHORS DES CINQUANTE ÉTATS DES ÉTATS-UNIS, DU DISTRICT DE COLUMBIA ET DU CANADA, TOUTES LES GARANTIES IMPLICITES, Y COMPRIS, MAIS SANS S'Y LIMITER, TOUTE GARANTIE IMPLICITE DE QUALITÉ MARCHANDE OU D'ADÉQUATION À UN USAGE OU À UN USAGE PARTICULIER, SONT LIMITÉS DANS LA DURÉE À UN AN À COMPTER DE LA DATE D'ACHAT INITIALE. EN AUCUN CAS, DACOR NE POURRA ÊTRE TENU RESPONSABLE DES FRAIS ACCESSOIRES OU DES DOMMAGES INDIRECTS. SI DACOR L'EMPORTE DANS UN PROCÈS, DACOR AURA DROIT AU REMBOURSEMENT DE TOUS LES FRAIS ET DÉPENSES, Y COMPRIS LES HONORAIRES D'AVOCAT, PAR LE CLIENT DE DACOR. AUCUNE GARANTIE, EXPRESSE OU IMPLICITE, N'EST FAITE À UN ACHETEUR POUR LA REVENTE.

Certains États n'autorisent pas la limitation de la durée d'une garantie implicite, ou n'autorisent pas l'exclusion ou la limitation des dommages inconséquents, par conséquent les limitations ou exclusions ci-dessus peuvent ne pas s'appliquer à vous. Cette garantie vous donne des droits légaux spécifiques, et vous pouvez également avoir d'autres droits qui varient d'un état à l'autre.

Annonce d'une source ouverte

Le logiciel inclus dans ce produit contient un logiciel open source. Vous pouvez obtenir le code source complet correspondant pendant une période de trois ans après la dernière expédition de ce produit en envoyant un courriel à <mailto:oss.request@samsung.com>.

Il est également possible d'obtenir le code source complet correspondant sur un support physique, tel qu'un CD-ROM, moyennant des frais minimes.

L'URL http://opensource.samsung.com/opensource/OVEN_HKM_TZ/seq/0 mène à la page de téléchargement du code source mis à disposition et aux informations sur la licence open source relatives à ce produit. Cette offre est valable pour toute personne ayant reçu ces informations.



Annonce d'une source ouverte



Veillez consulter le site www.Dacor.com pour activer votre garantie en ligne.

INFORMATIONS SUR LA GARANTIE



IMPORTANT :

Votre garantie ne commencera pas tant que vous ne l'aurez pas activée en ligne ou renvoyé ce formulaire à Dacor. Si vous avez acheté plus d'un produit Dacor, veuillez renvoyer tous les formulaires dans une seule enveloppe, ou activer la garantie pour chaque produit en ligne.

Nous vous assurons qu'en aucun cas Dacor ne vendra votre nom ou les informations contenues dans ce formulaire à des fins de listes de diffusion. Nous vous sommes très reconnaissants d'avoir choisi les produits Dacor pour votre maison et nous ne considérons pas la vente de ces informations comme une façon appropriée d'exprimer notre gratitude!

Nom du propriétaire :

Rue : _____
Nom (en lettres moulées ou en caractères d'imprimerie) Prénom Deuxième prénom

Ville : _____ État : _____ Code postal : _____

Date d'achat : _____ Courriel : _____ Téléphone : _____

Concessionnaire : _____

Ville : _____ État : _____ Code postal : _____

Nous vous remercions de bien vouloir prendre quelques secondes pour remplir la section ci-dessous. Merci.

1. Comment avez-vous découvert les produits Dacor? (Veuillez cocher une seule case.)

- | | |
|---|--|
| <input type="checkbox"/> A. TV Émission culinaire | <input type="checkbox"/> F. Constructeur |
| <input type="checkbox"/> B. Magazine | <input type="checkbox"/> G. Architecte/Concepteur |
| <input type="checkbox"/> C. Salle d'exposition d'un concessionnaire d'appareils électroménagers | <input type="checkbox"/> H. Un autre propriétaire de Dacor |
| <input type="checkbox"/> D. Salle d'exposition d'un concessionnaire de cuisines | <input type="checkbox"/> I. Maison modèle |
| <input type="checkbox"/> E. Salon de l'habitation | <input type="checkbox"/> J. Autre _____ |

2. Où avez-vous acheté vos appareils Dacor?

- | | |
|---|--|
| <input type="checkbox"/> A. Concessionnaire d'appareils électroménagers | <input type="checkbox"/> D. Constructeur |
| <input type="checkbox"/> B. Revendeur de cuisines | <input type="checkbox"/> E. Autre _____ |
| <input type="checkbox"/> C. Fournisseur du constructeur | |

3. Dans quel but le produit a-t-il été acheté?

- | | |
|--|--|
| <input type="checkbox"/> A. Remplacement uniquement | <input type="checkbox"/> C. Maison neuve |
| <input type="checkbox"/> B. Partie d'une rénovation | <input type="checkbox"/> D. Autre _____ |

4. Quel est le revenu de votre ménage?

- | | |
|---|---|
| <input type="checkbox"/> A. Moins de 75 000 \$ | <input type="checkbox"/> D. 150 000 \$ à 200 000 \$ |
| <input type="checkbox"/> B. 75 000 \$ à 100 000 \$ | <input type="checkbox"/> E. 200 000 \$ à 250 000 \$ |
| <input type="checkbox"/> C. 100 000 \$ à 150 000 \$ | <input type="checkbox"/> F. Plus de 250 000 \$ |

5. Quelles sont les marques des appareils électroménagers que vous avez dans votre cuisine?

- | | |
|---------------------------|-------------------------|
| A. Table de cuisson _____ | C. Lave-vaisselle _____ |
| B. Four _____ | D. Réfrigérateur _____ |

6. Achèteriez-vous ou recommanderiez-vous un autre produit Dacor?

- | | |
|------------------------------|------------------------------|
| <input type="checkbox"/> Oui | <input type="checkbox"/> Non |
|------------------------------|------------------------------|

Commentaires : _____

Merci beaucoup pour votre aide. Les informations que vous avez fournies seront extrêmement précieuses et nous aideront à planifier l'avenir et à vous apporter le soutien que vous méritez.

Placez l'étiquette du numéro de série ici

Site Web : www.dacor.com

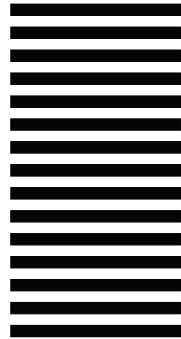
Téléphone : 833-353-5483 (États-Unis), 844-509-4659 (CANADA).

NOTES

NOTES



NO POSTAGE
NECESSARY
IF MAILED
IN THE
UNITED STATES



BUSINESS REPLY MAIL
FIRST-CLASS MAIL PERMIT NO 1600 CITY OF INDUSTRY CA

POSTAGE WILL BE PAID BY ADDRESSEE

DACOR
ATTN: WARRANTY PROCESSING DEPT
PO BOX 90070
CITY OF INDUSTRY, CA 91715-9907



fold here



DG68-01459A-00



Dacor • 14425 Clark Avenue, City of Industry, CA 91745
• Téléphone : 833-353-5483 (États-Unis), 844-509-4659 (CANADA). • Télécopie : (626) 403-3130 • www.dacor.com