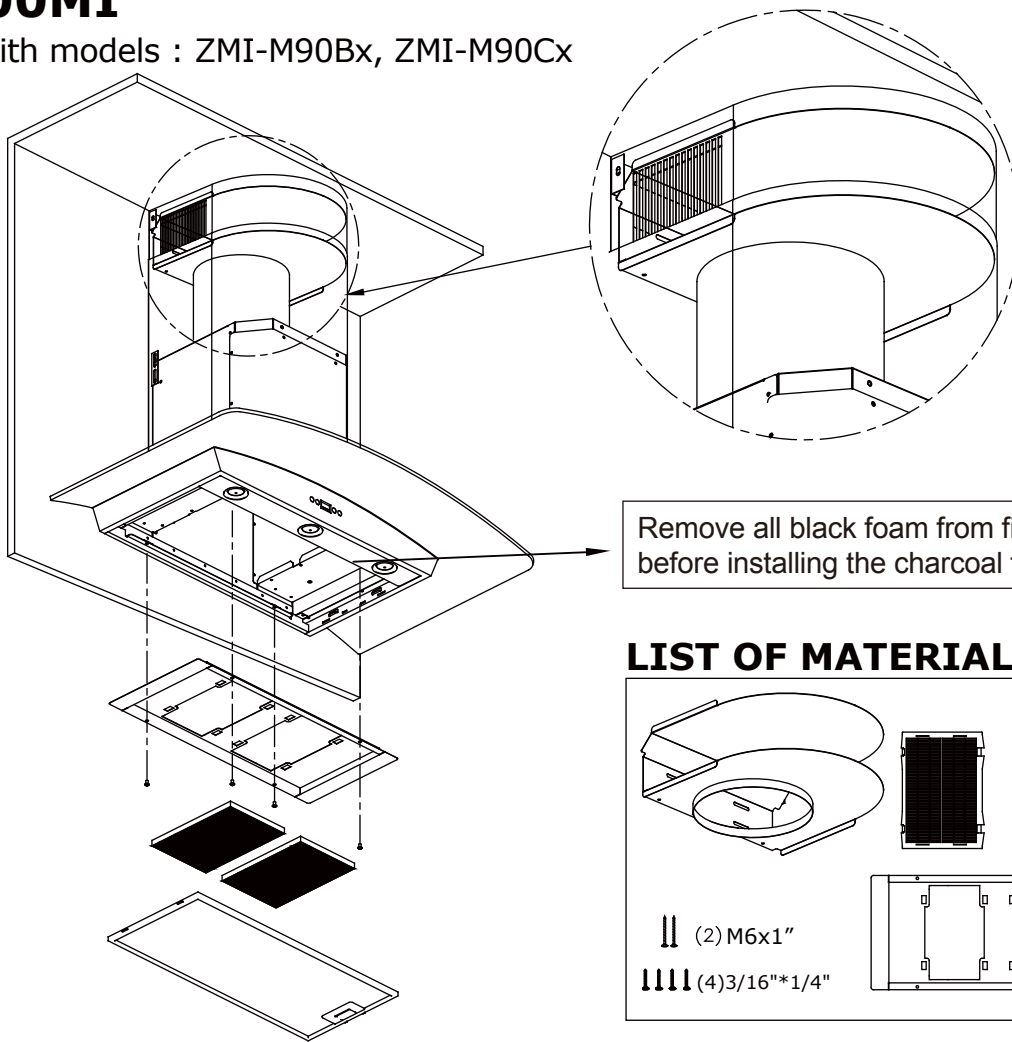


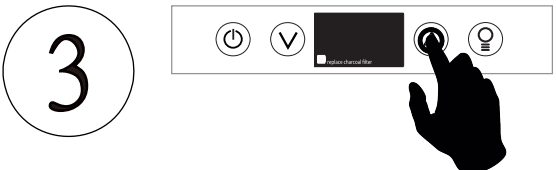
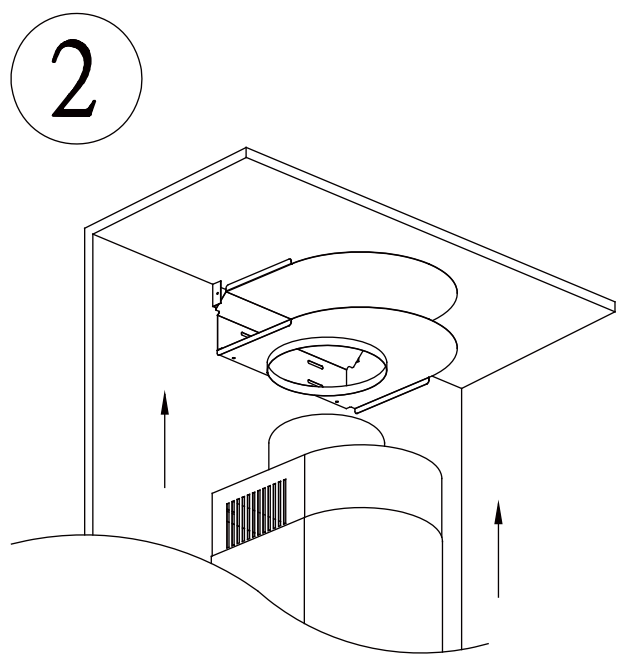
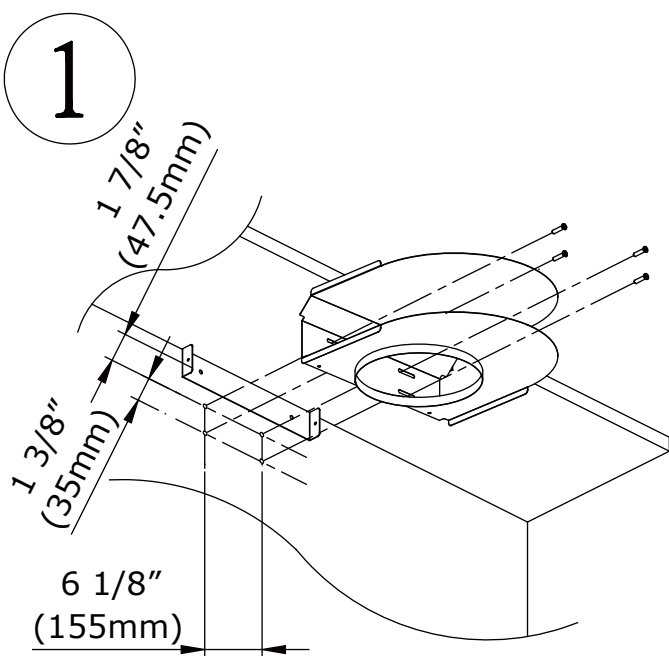
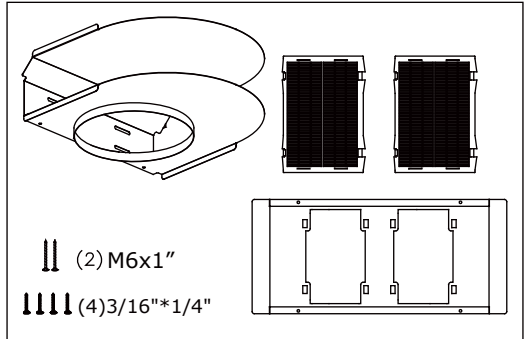
## ZRC-00MI

For use with models : ZMI-M90Bx, ZMI-M90Cx



Remove all black foam from filter opening before installing the charcoal filter brackets.

### LIST OF MATERIALS



Follow instructions in hood manual to enable the "replace charcoal filter" indicator on the hood controls.