

# FRONT LOAD WASHER AND DRYER PEDESTAL

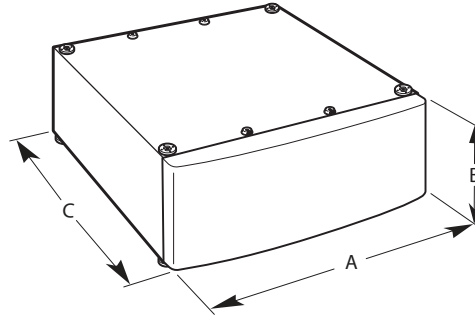
## PRODUCT MODEL NUMBERS

XHP1000XQ      XHP1000WR  
XHP1000XW      XHP1000WW

## LOCATION REQUIREMENTS

If the washer/dryer and pedestal assembly are located in a garage, 3" (76 mm) must be added under the pedestal so that the washer/dryer is 18" (458 mm) above the garage floor.

## PRODUCT DIMENSIONS



Width "A"	Height - "B"	Depth - "C"
27" (686 mm)	9¼" (235 mm)	27" (686 mm)