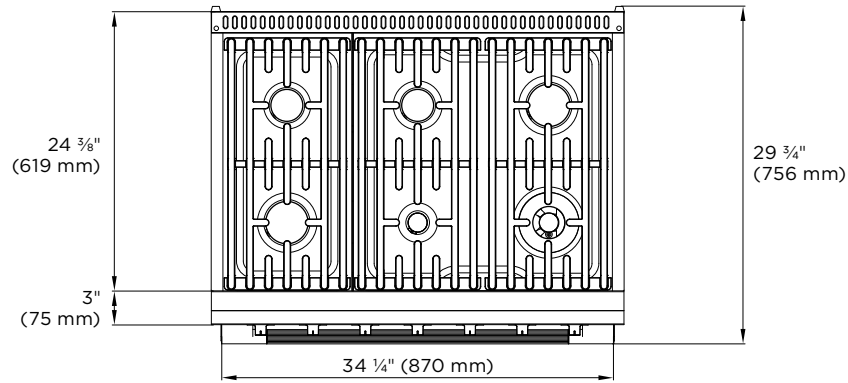
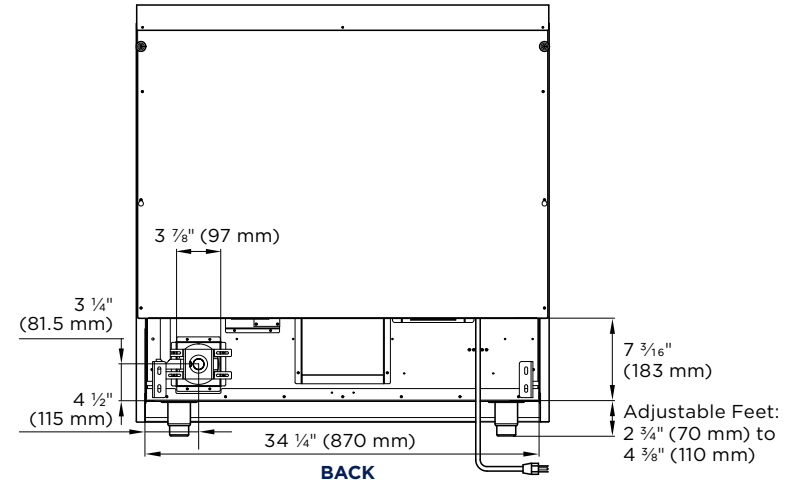


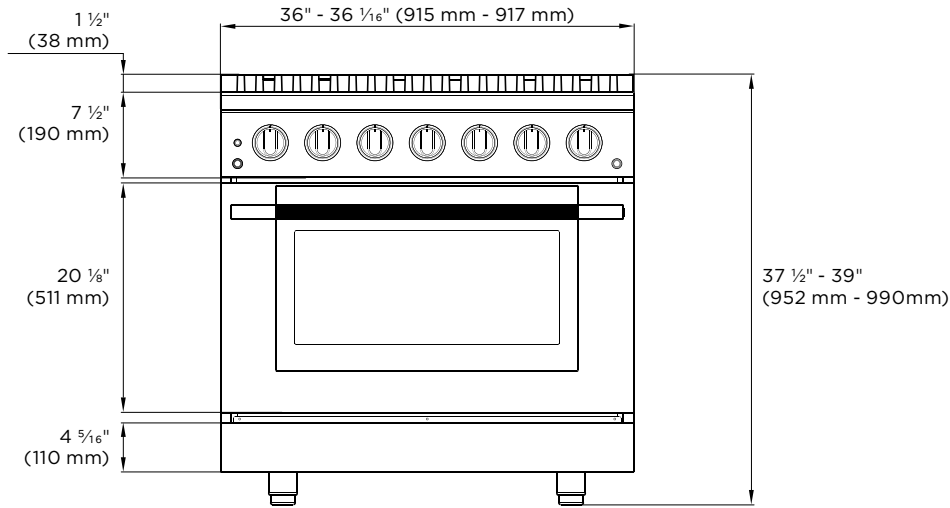
## TECHNICAL DRAWING



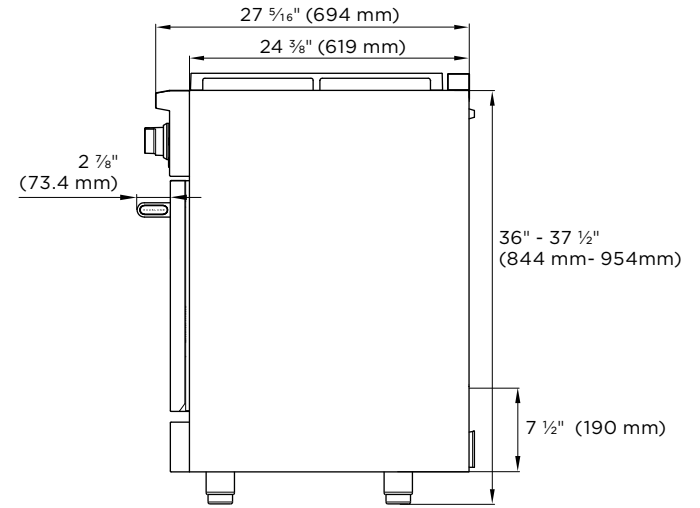
**TOP**



**BACK**



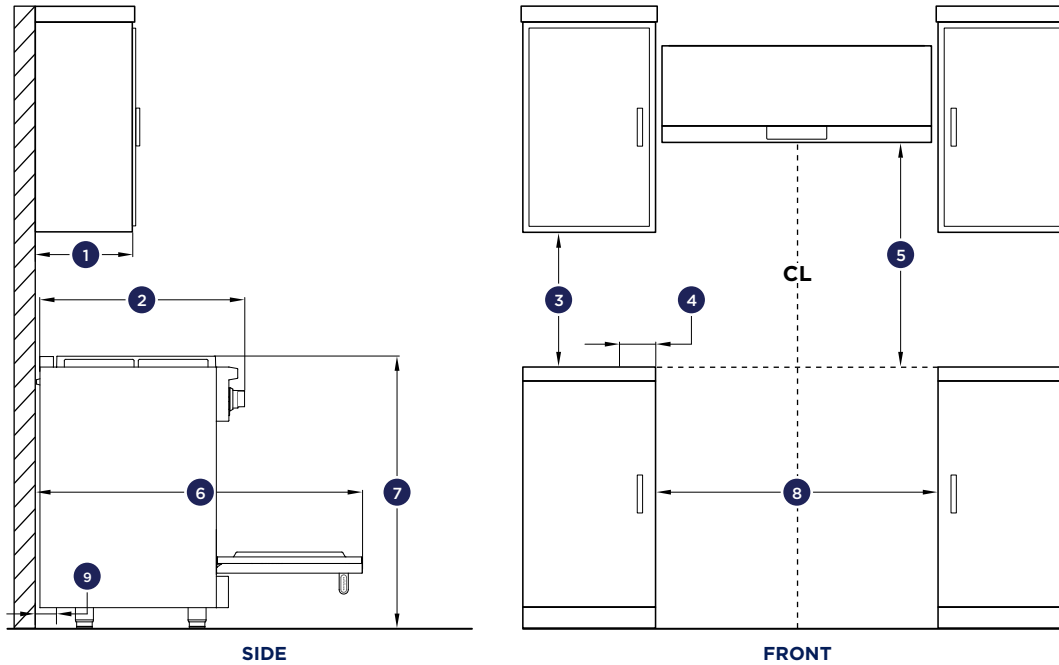
**FRONT**



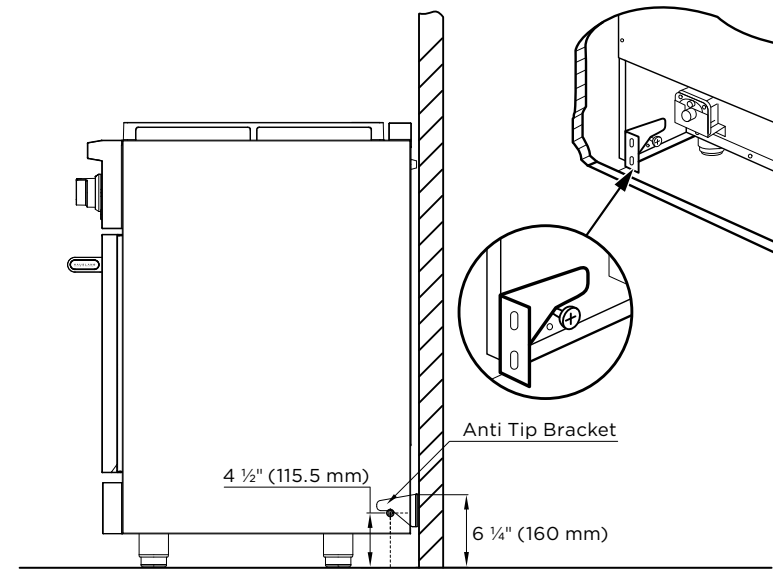
**SIDE**

NOTE: All dimensions in Inches unless otherwise specified. Dimensions in this technical drawing may vary by  $\pm \frac{1}{16}$ " (2mm). For detailed installation steps, refer to the user manual. Complete installation instructions and specifications can be found at hauslane.com.

## CLEARANCE REQUIREMENTS



## ANTI-TIP BRACKET LOCATION



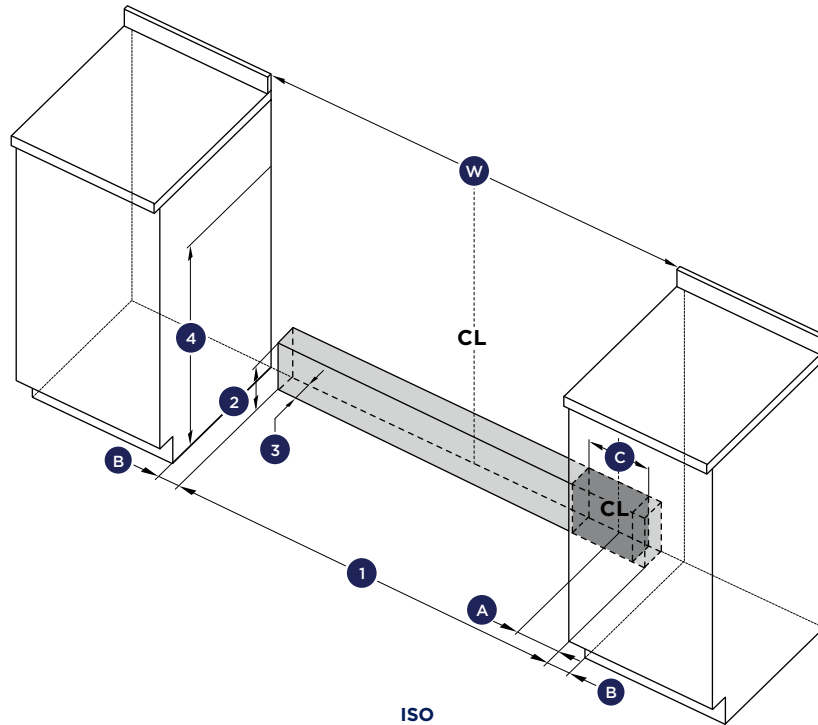
\*This suggested anti-tip bracket height is based on a 36" countertop height.

1	<b>STANDARD DEPTH OF CABINET ABOVE COOKTOP</b>	13" (330 mm)
2	<b>DEPTH FROM REAR OF CHASSIS TO FRONT OF CONTROL PANEL</b>	27 5/16" (694 mm)
3	<b>MINIMUM CLEARANCE (COUNTERTOP TO CABINET, BOTH SIDES OF RANGE)</b>	18" (457 mm)
4	<b>COOKTOP SIDE TO CABINET CLEARANCE (ADJACENT WORKING AREAS)</b>	6" (152 mm)
5	<b>MINIMUM CLEARANCE FROM COOKTOP TO VENTILATION HOOD</b>	30" - 36" (762 - 914 mm) Depending on Your Hood Model
6	<b>TOTAL DEPTH WITH OVEN DOOR FULLY OPEN</b>	45 3/8" (1151.4 mm)

7	<b>COOKTOP HEIGHT FROM FLOOR (TO COOK SURFACE)</b>	37 1/2" to 39" (953 - 991 mm) Depending on Leveling and Installation Height
8	<b>CABINET CUT OUT DIMENSIONS (WxDxH)</b>	36 1/4" x 24 3/4" x 36" (921 x 629 x 914 mm)
9	<b>GAS AND ELECTRICAL CONNECTION AREA (MAXIMUM DEPTH)</b>	Max Depth of Gas / Electric Rough-in Area: 2 13/16" (71 mm) from the Rear Wall

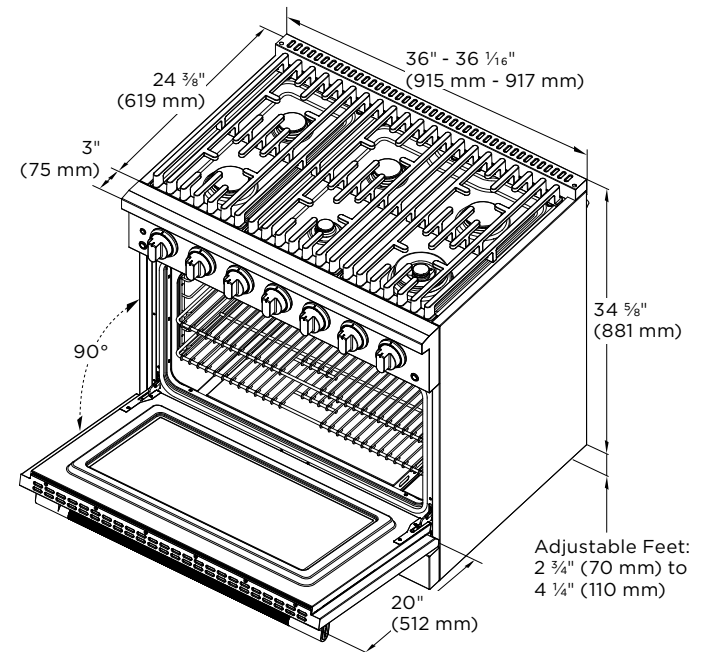
NOTE: All dimensions in Inches unless otherwise specified. Dimensions in this technical drawing may vary by  $\pm 1/16"$  (2mm). For detailed installation steps, refer to the user manual. Complete installation instructions and specifications can be found at [hauslane.com](http://hauslane.com).

## LOCATION OF ELECTRICAL AND GAS SUPPLY



ISO

## PRODUCT DIMENSIONS



<b>1</b> GAS & ELECTRICAL ZONE (WIDTH)	Approx. 28" (711 mm)
<b>2</b> GAS AND ELECTRICAL CONNECTION AREA (MAXIMUM HEIGHT)	Vertical Space from Floor to Gas / Electric Rough-in Area: 4 1/2" (114 mm) from the Floor
<b>3</b> GAS AND ELECTRICAL CONNECTION AREA (MAXIMUM DEPTH)	Max Depth of Gas / Electric Rough-in Area: 2 13/16" (71 mm) from the Rear Wall
<b>4</b> GAS AND ELECTRICAL HOOKUP ZONE (WxH)	36 1/4" x 21" (921 x 533 mm)

<b>W</b> CABINET CUT OUT DIMENSIONS (WIDTH)	36 1/4" (921 mm)
<b>A</b> GAS AND ELECTRICAL CONNECTION AREA TO REGULATOR CENTERLINE	5 1/2" (141 mm)
<b>B</b> DISTANCE FROM EITHER EDGE OF RANGE TO SUPPLY AREA	4 1/8" (105 mm)
<b>C</b> REGULATOR (WIDTH)	3 7/8" (97 mm)

NOTE: All dimensions in Inches unless otherwise specified. Dimensions in this technical drawing may vary by  $\pm 1/16"$  (2mm). For detailed installation steps, refer to the user manual. Complete installation instructions and specifications can be found at [hauslane.com](http://hauslane.com).