



# ASSEMBLY INSTRUCTIONS

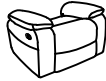




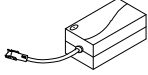

REDONDO COLLECTION

ITEM#: U2540-15P1

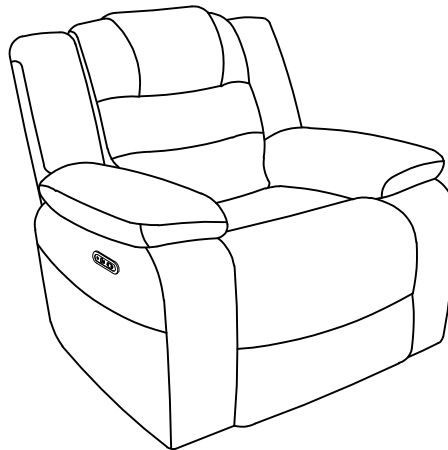
DESCRIPTION : REDONDO GLIDER RECLINER

W/HEAT, MASSAGE, PWR FR

Thank you for purchasing this quality product. Be sure to check all packing materials carefully for small parts, which may have come loose during shipment. Identify and count all items and compare with the parts list shown below. It is recommended to have two people during assembling and to remove the back and base of the furniture out from the box. **Please follow the drawings below to assemble the item**

Parts List			
NO.	DESCRIPTION	SKETCH	Q'TY
A	Seat		1 PC
B	Backrest		1 PC
C	Right Side Facing (LSF) wing		1 PC
D	Left Side Facing (RSF) wing		1 PC
E	Power Cable 12V		1 PC
F	Transformer		1 PC
G	Plug		1 PC

Weight Capacity (PER SEAT)	350 LB
----------------------------	--------



All images shown are for illustration purpose only. Actual product may vary due to product enhancement.

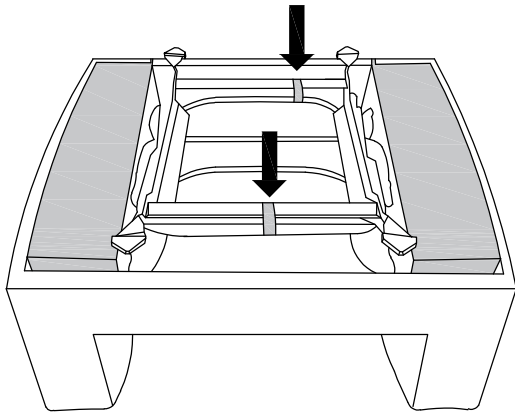
# ASSEMBLY INSTRUCTIONS

REDONDO COLLECTION

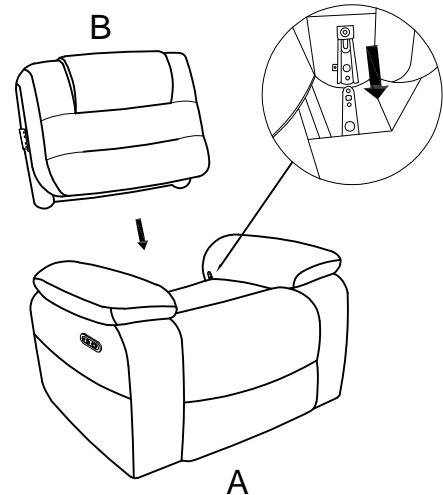
ITEM#: U2540-15P1

DESCRIPTION : REDONDO GLIDER RECLINER  
W/HEAT, MASSAGE, PWR FR

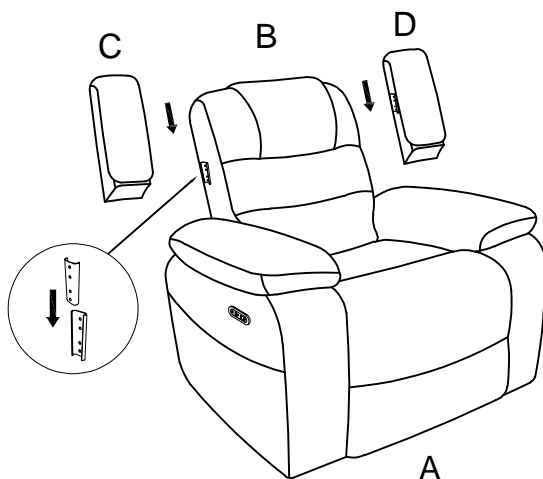
**Step 1:** Cut and remove the fasteners on the frame at the bottom of the seat (A).



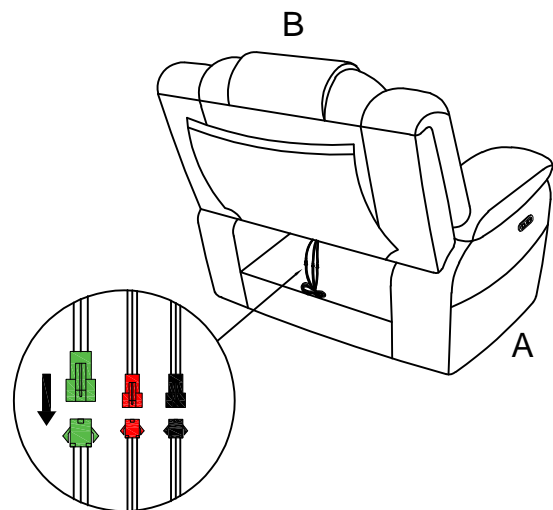
**Step 2:** Attach the backrest (B) by align and insert the metal bracket on the backrest (B) to the metal bracket of the seat (A).



**Step 3:** Attach the the wings by inserting metal bracket on the LSF wing (C) and RSF wing (D) into the metal bracket on the backrest (B).



**Step 4:** Connect the three power wires from the backrest (B) to the matching size and color wires on the seat (A).



All images shown are for illustration purpose only.  
Actual product may vary due to product enhancement.

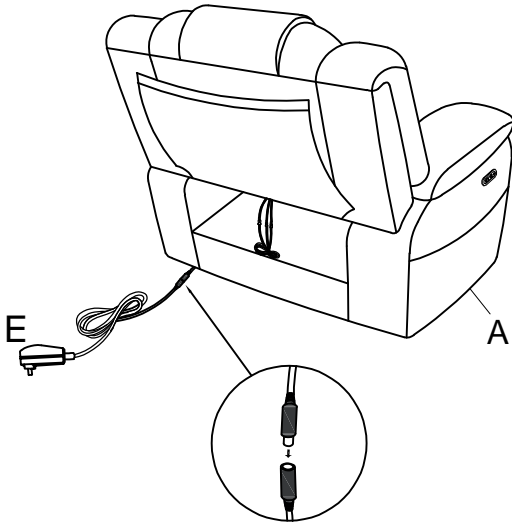
# ASSEMBLY INSTRUCTIONS

REDONDO COLLECTION

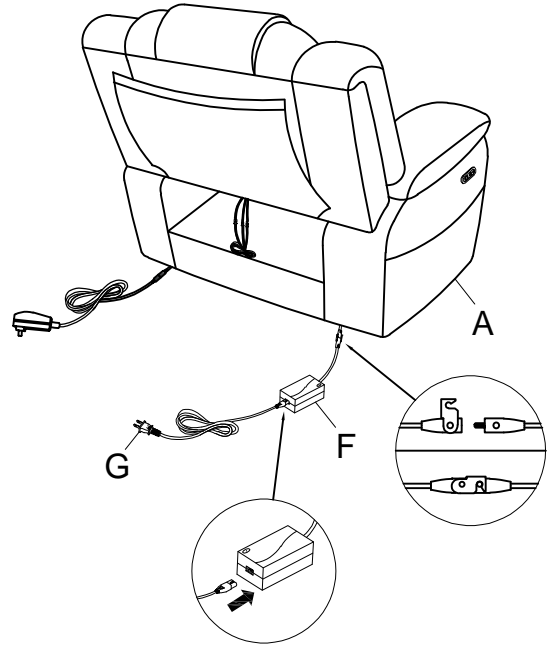
ITEM#: U2540-15P1

DESCRIPTION : REDONDO GLIDER RECLINER  
W/HEAT, MASSAGE, PWR FR

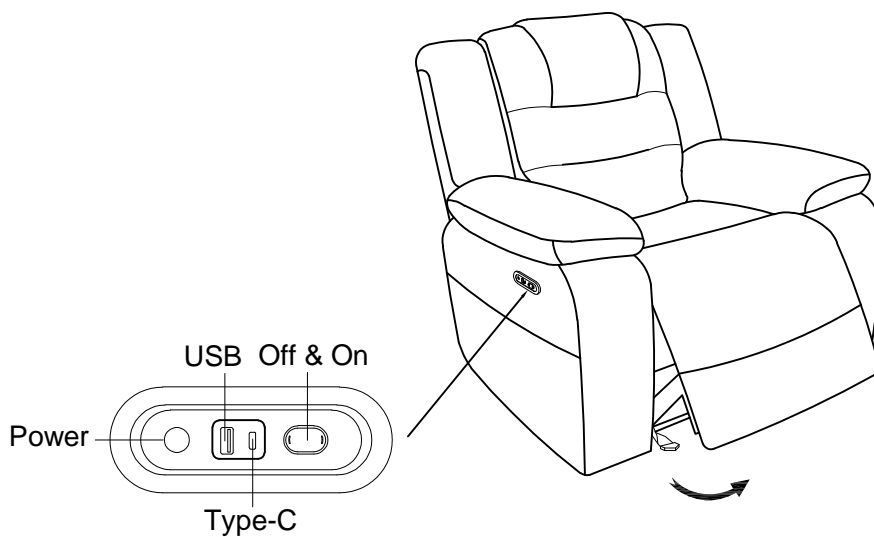
**Step 5:** Connect the Power Cable 12V (E) to the power wire at the back left side facing of seat (A).



**Step 6:** Connect the Transformer (F) to the power wire at the back right side facing of seat (A) and then connect the plug (G) to the Transformer (F).



**Step 7:** Open the Footrest by pressing the power button on/off.



All images shown are for illustration purpose only.  
Actual product may vary due to product enhancement.

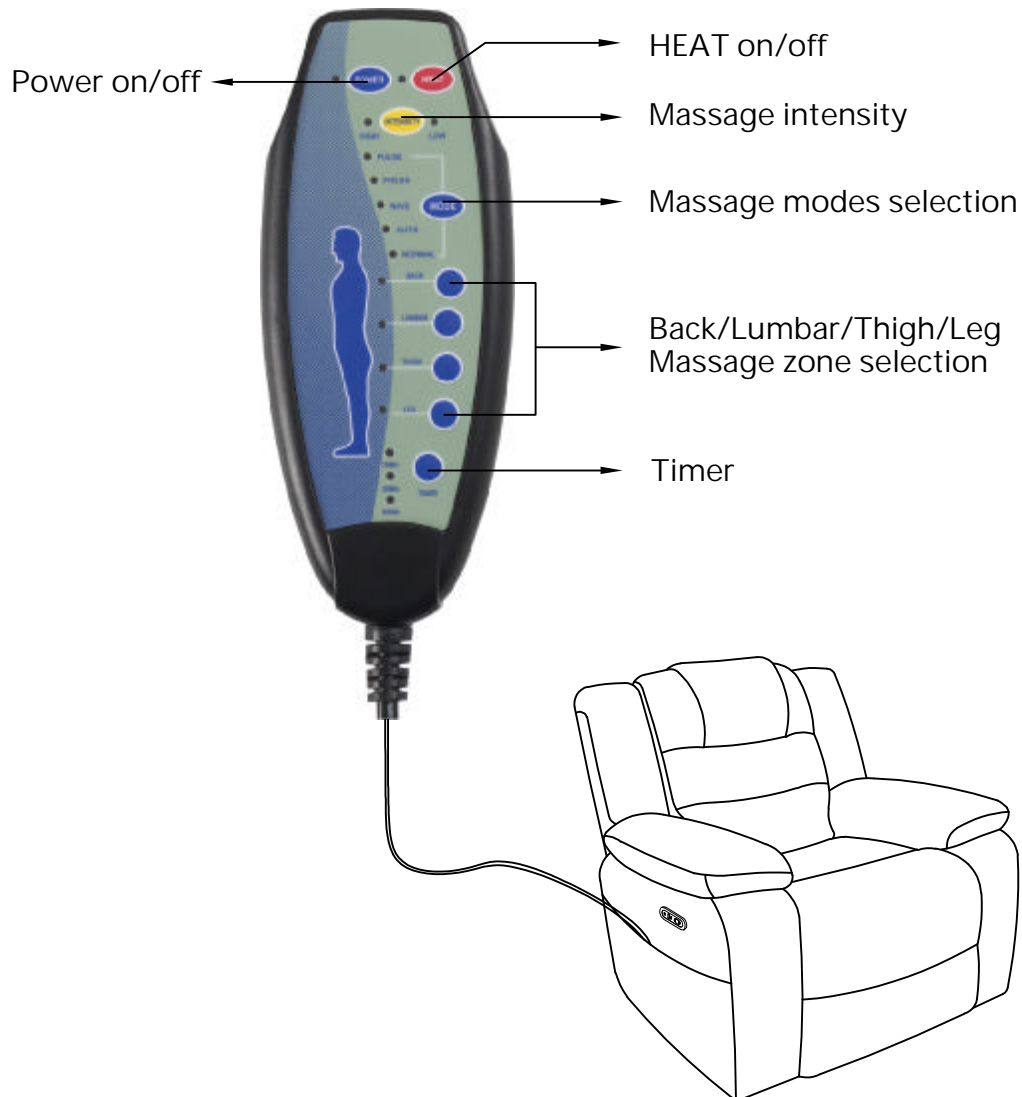
# ASSEMBLY INSTRUCTIONS

REDONDO COLLECTION

ITEM#: U2540-15P1

DESCRIPTION : REDONDO GLIDER RECLINER  
W/HEAT, MASSAGE, PWR FR

## Step 8: Massage Chair Remote Control Functions.



All images shown are for illustration purpose only.  
Actual product may vary due to product enhancement.