

ASSEMBLY INSTRUCTION








2756S-24 COCKRELL COUNTER HEIGHT CHAIR






Thank you for purchasing this quality product. Be sure to check all packing material carefully for small parts which may come loose inside the carton during shipment.

Identify and count all parts.

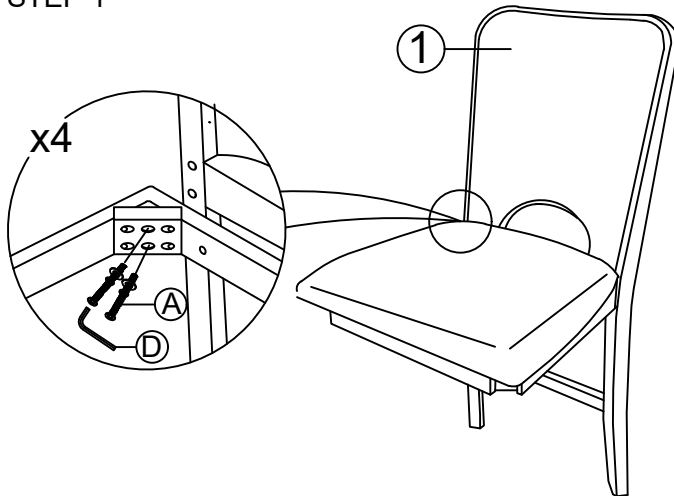
NOTE: Assemble the chair on a flat & soft surface. Do not tighten all the screws until the chair has been put a flat /hard surface adjust & level all the legs so that they do not wobble. Once adjusted then tighten all the screws.

NOTE: Periodically check to ensure that all connectors (bolts, screw, etc.) are tight.

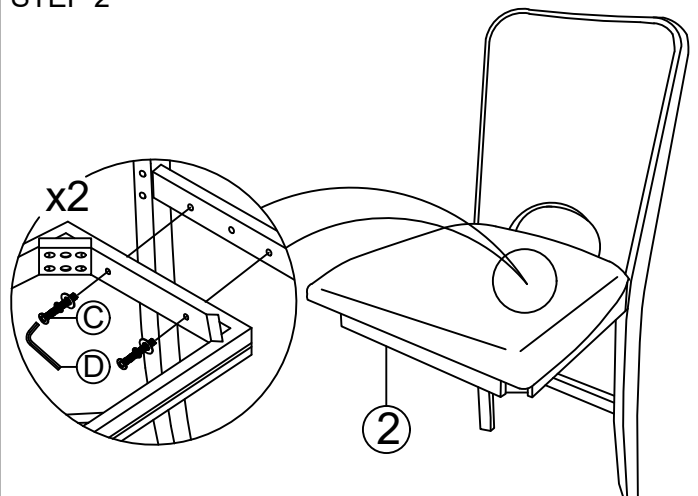
PARTS LIST			
NO	DESCRIPTION		QTY
1	CHAIR FRAME BACK		1
2	BOX SEAT		1
3	SIDE STRETCHER (LEFT)		1
4	SIDE STRETCHER (RIGHT)		1
5	FRONT LEG (LEFT)		1
6	FRONT LEG (RIGHT)		1
7	FRONT STRETCHER		1

HARDWARE LIST			
NO	DESCRIPTION		QTY
A	JCBC SCREW (NYLOK) M6 X 80MM WITH LOCK WASHER & WASHER		4
B	JCBC SCREW (NYLOK) M6 X 60MM WITH LOCK WASHER & WASHER		4
C	JCBC SCREW (NYLOK) M6 X 35MM WITH LOCK WASHER & WASHER		2
D	ALLEN KEY M4		1
E	PAN HEAD #8 x 32MM		6

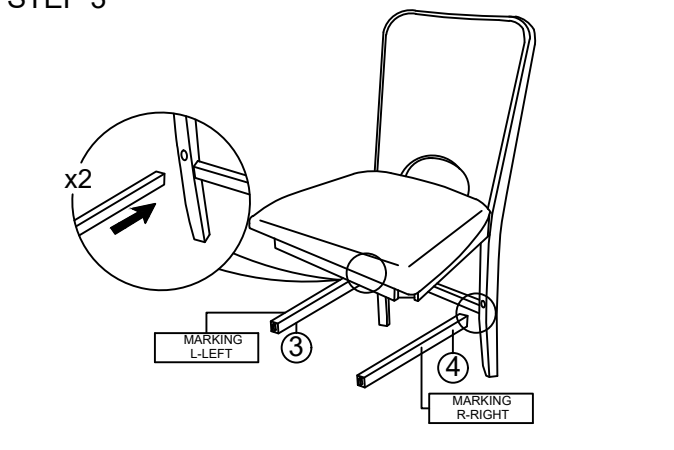
STEP 1



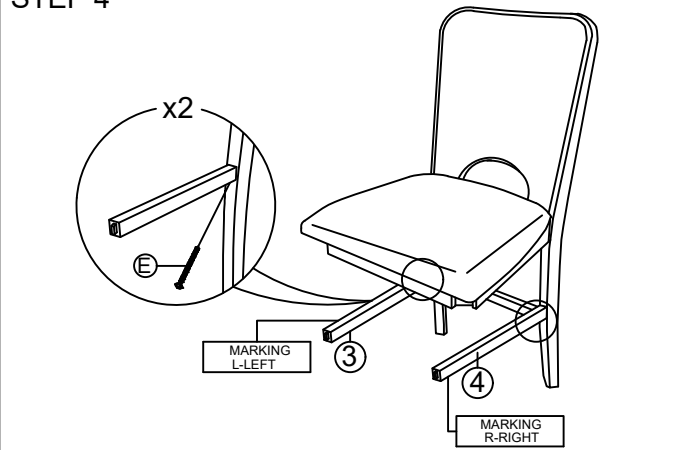
STEP 2



STEP 3

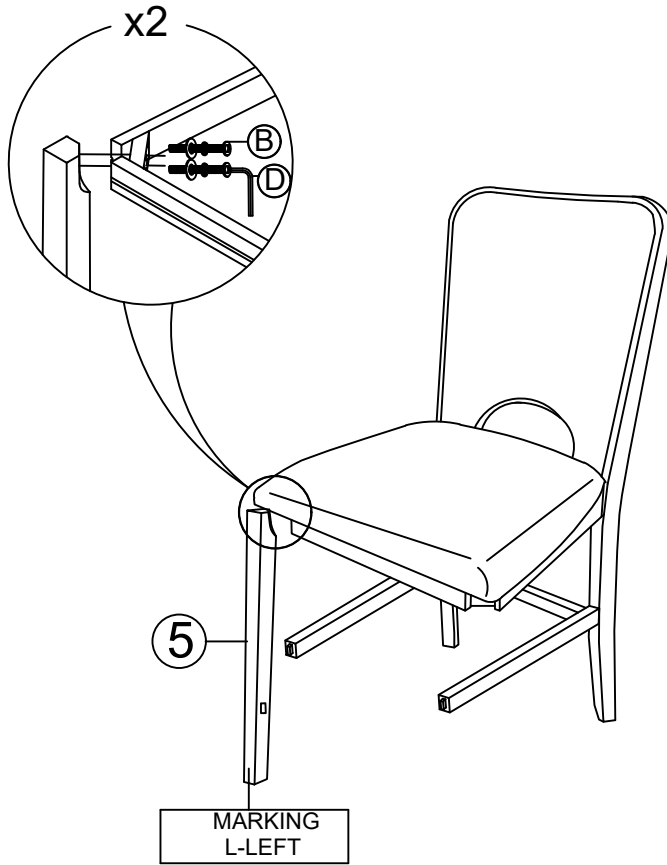


STEP 4

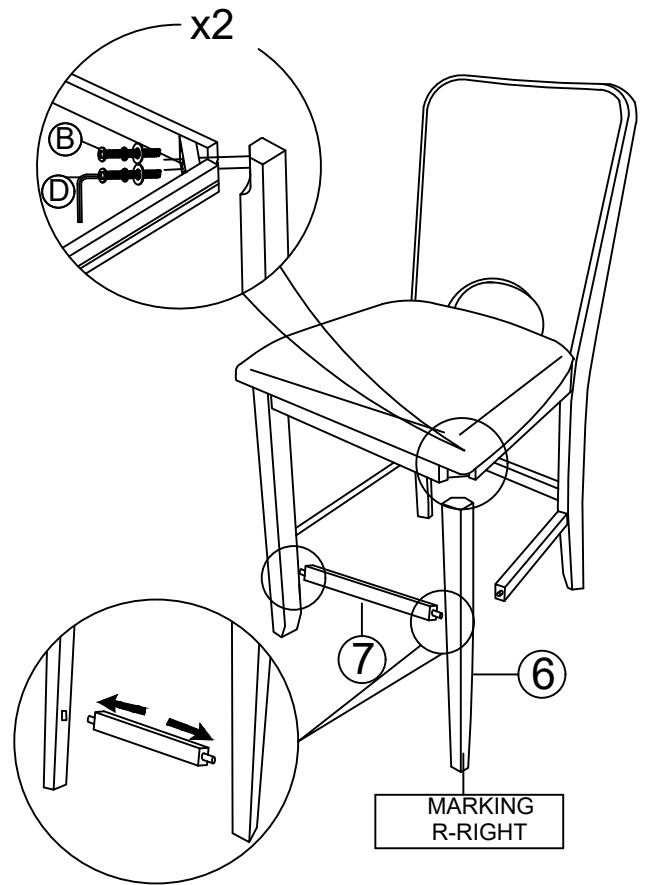


NOTE: To ensure chair durable and long lasting, please check entire chair part whether it's in safe and ordinary conditions. The hardware is located in the packing items.

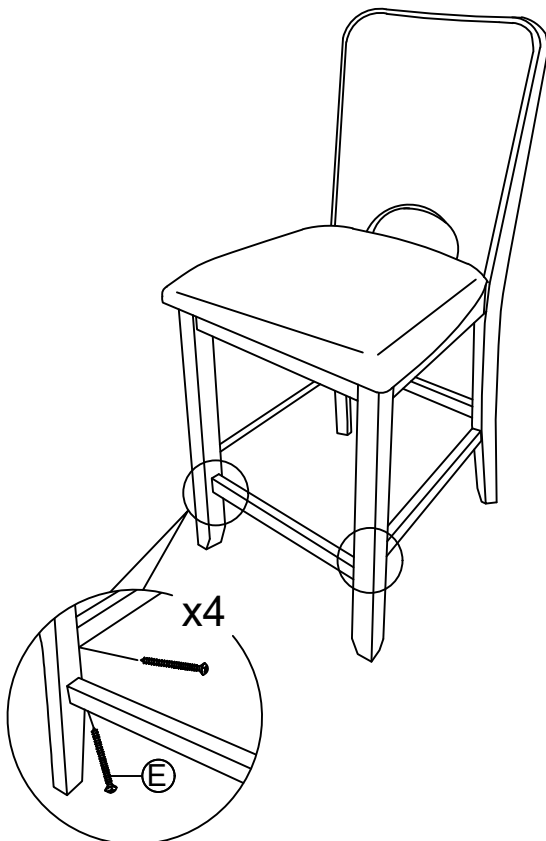
STEP 5



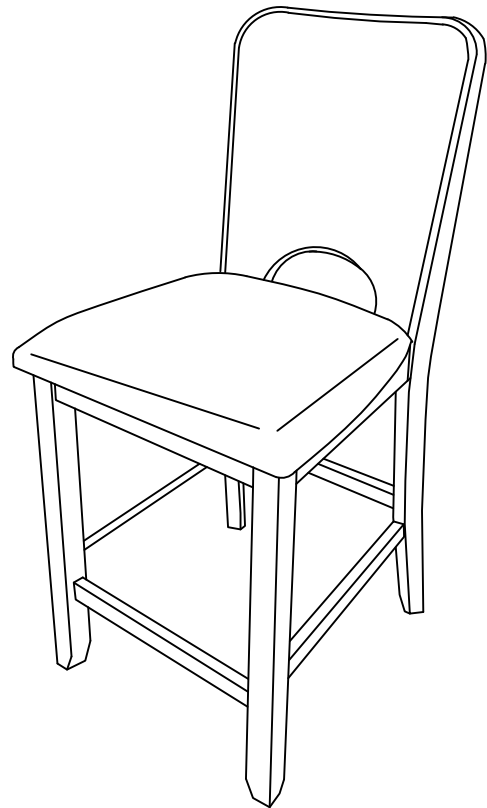
STEP 6



STEP 7



STEP 8



NOTE: To ensure chair durable and long lasting, please check entire chair part whether it's in safe and ordinary conditions. The hardware is located in the packing items.