



Standard Microwave - E Series Trim Installation

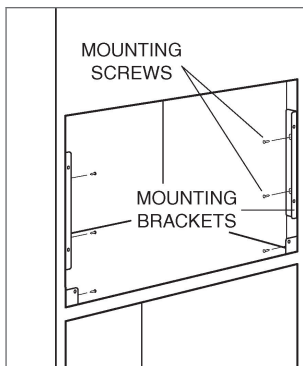
wolfappliance.com 800.222.7820

STANDARD MICROWAVE CONTENTS

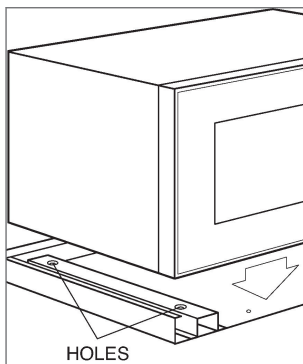
1	Assembly, frame
2	Bracket, mounting (stainless trim only)
6	Screw, #6-18 x 1"
4	Screw, #6-32 x 3/4"
2	Screw #8-15 x 1/2"
1	Duct, bottom
2	Trim, side
4	Tape, black foam

STANDARD MICROWAVE - E SERIES TRIM INSTALLATION

- 1 For black trim, proceed to step 4.
- 2 Position the mounting brackets flush with the cabinet face and base support.
- 3 Pre-drill the holes then use six #6-18 x 1" screws to attach the brackets to the cabinet frame.

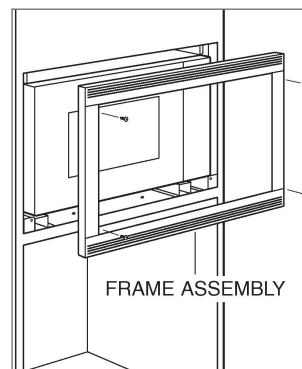


- 4 Place the microwave onto the bottom duct.



- 5 Place the microwave assembly close to the cabinet opening and plug the power cord into a properly grounded electrical outlet.
- 6 Insert the microwave assembly into the opening.

- 7 Pre-drill two pilot holes and use two #8-15 x 1/2" screws to secure the bottom duct to cabinetry.
- 8 Temporarily place the trim over the opening and look for gaps that may be visible between the microwave and trim. Attach foam tape to the microwave to eliminate gaps. The foam tape can be cut to achieve a proper fit.
- 9 For stainless trim, attach the frame assembly to the side mounting brackets with four #6-32 x 3/4" screws. For black trim, attach the frame assembly directly to the cabinet with four #6-18 x 1" screws.



- 10 Remove the protective covering from the side trim and install one piece per side.

