







# ASSEMBLY INSTRUCTION FOR RECTANGULAR DINING TABLE W 1 X 24" LEAF D-3690-6-DT/D-3690-8-DT

Caution: Please read instructions thoroughly before unpacking assembly parts. Sharp, exposed staple tips can cause injury, therefore, for your protection, please remove any exposed staples used in packing.

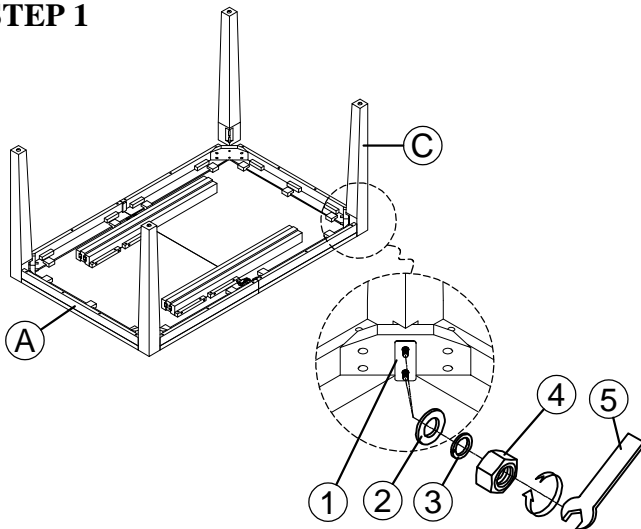
1. We recommend that you should assemble this product with the assistance of another person; this will make assembly easier, and will help to eliminate damage to the product or injury to persons during assembly.
2. Be sure to check all packing materials carefully for small parts that may have come loose inside the carton during shipment.
3. Please do not over tighten screws or bolts.
4. Please put all parts on a non-abrasive floor before assembly, and follow the assembly steps to assemble your newly purchased product correctly and efficiently.

PART LIST			
No.	Part Description	Code.	Q'ty
A	Top Frame		1
B	Leaf Frame		1
C	Leg	PD-3690-6-DTLEG	4

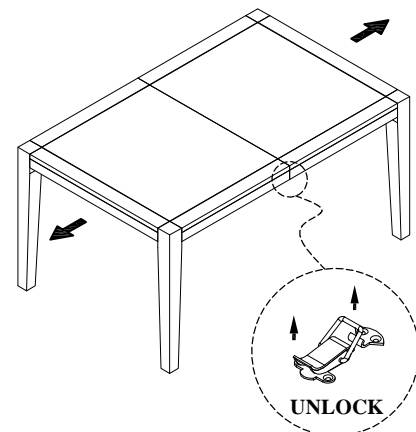
HARDWARE LIST			
No.	Hardware Description	Code.	Q'ty
1	 Metal Flat 70*30*2mm	PD-3690-DTHW	4
2	 Flat washer 8*19*2mm		8
3	 Spring washer 8mm		8
4	 Hexagon 5/16"*13mm		8
5	 Wrench 13mm		1

 Only tighten all bolts when all bolts aligned with bolt inserts.

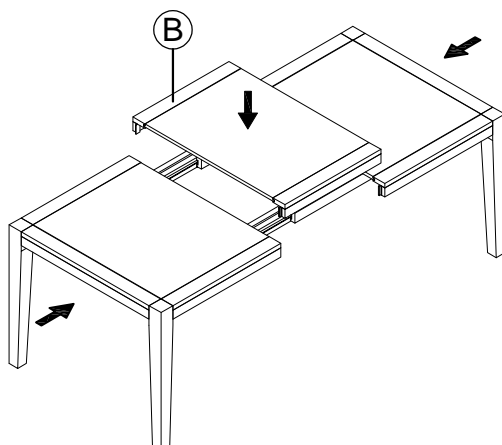
## STEP 1



## STEP 2



## STEP 3



## COMPLETE

