

FRIGIDAIRE

GALLERY



27" Electric Wall Oven/Microwave Combination

Microwave Combination Wall Oven

Available Products: GCWM2767AD, GCWM2767AF

Available Colors: Black Stainless Steel, Stainless Steel

Version: 08/23

Product Specifications

Cooking Controls

Air Fry	Yes
Air Sous Vide	Yes
Bake	Yes
Bake Time	Yes
Bread Proof	Yes
Broil	Yes
Cancel	Yes
Clear Off	Yes
Clock	Yes
Convection Bake	Yes
Convection Roast	Yes
Cook Time	Yes
Defrost	Yes
Dehydrate	Yes
Delay Clean	Yes
Delay Start	Yes
Door Lock	Yes
Fast Preheat	No
Keep Warm	Yes
Kitchen Timer	Yes
Light	Yes
My Favorite	Yes
No Preheat	Yes
Off	Yes
Oven Light	Yes
Perfect Turkey	Yes
Preheat	Yes
Probe	Yes
Self Clean	Yes
Set Clock	Yes
Slow Cook	Yes
Start	Yes
Start Time	Yes
Steam Bake	Yes
Steam Clean	Yes
Steam Roast	Yes
Stop	Yes
Temperature Display	Yes
Timed Bake	Yes
Timer On / Off	Yes
User Preferences	Yes

Cooking Controls Function

Change between Continuous Bake Setting or 12-Hour Energy Saving Feature	Yes
Program Fahrenheit or Celsius	Yes
Silent Control Panel	Yes

Microwave Cooking

Microwave Cooking Power	1000 Watts
Bacon	Yes
Beverage	Yes
Defrost	Yes
Melt / Soften	Yes
Popcorn	Yes
Potato	Yes
Reheat	Yes
Rice	Yes
Top Grill Mode	Yes
Veggies	Yes

Controls

Control Lock	Yes
Sabbath Mode	Yes

Display

Control Location	Top
Display Interface Color	White
Display Light Color	White
Display Type	Capacitive Touch

Internal Specifications

Interior Color	Midnight Black
Interior Light Quantity	1
Interior Light Type	Halogen
Interior Light Wattage	40 Watts
Rack	Yes
Ramp Up Lighting	No
Turntable Diameter	14"
Turntable Material	Glass

Electrical Specifications

Amps @ 240 Volts	40 Amps
Connected Load @ 240V	7.4 kW
Minimum Circuit Required	40 Amps

For planning purposes only. We reserve the right to change specifications or discontinue models without notice. Refer to Product Installation Guide for detailed installation instructions on the web at [frigidaire.com / frigidaire.ca](http://frigidaire.com/frigidaire.ca)
Electrolux Major Appliances, N.A.

USA • 10200 David Taylor Drive • Charlotte, NC 28262 • Charlotte, NC 28262 • 1-877-4electrolux (1-877-435-3287) • frigidaire.com
CANADA • 5855 Terry Fox Way • Mississauga, ON L5V 3E4 • 1-800-265-8352 • frigidaire.ca

Oven

Bake Element	2500 Watts
Bake Element Pass	8
Bake Element Type	Hidden
Broil Element	4000 Watts
Broil Element Pass	6
Cleaning System	Yes
Convection	Yes
Convection Element	2500 Watts
Convection Type	Total
Number of Convection Fans	1
Number of Rack Positions	5
Oven Interior Color	Midnight Black
Oven Light Quantity	2
Oven Light Type	Halogen
Oven Light Watts	40 Watts
Rack Position Type	Embossed
Rack Type 1	Handle
Rack Type 1 Quantity	2
Rack Type 2	Glide
Rack Type 2 Quantity	1

Convection Cooking

Convection Cooking - Bake	Yes
Convection Element	1650 Watts

Microwave Control Features

+ 30 Seconds	Yes - One Touch
--------------	-----------------

Exterior

Door Swing	Drop-Down Door
------------	----------------

Dimensions and Volume

Height	42 5/16"
Width	27"
Depth	24 5/8"
Depth With Door 90° Open	45 3/4"
Depth With Handle	27 7/16"
Cutout Depth	24"
Oven Interior Height	17"
Oven Interior Width	20 1/2"
Oven Interior Depth	18 3/4"
Microwave Interior Height	17"
Microwave Interior Width	20 1/2"
Minimum Cutout Height	39 7/8"
Minimum Cutout Width	24 7/8"
Maximum Cutout Height	41 1/2"
Maximum Cutout Width	25 1/2"
Microwave Capacity	1.7 Cu. Ft.
Oven Capacity	3.8 Cu. Ft.

Installation

Power Supply Connection Location	Top Left
----------------------------------	----------

Certifications and Approvals

Star-K Certification	Yes
----------------------	-----

General Specifications

Frigidaire Fit Promise	Yes
Prop 65 Label	Yes
Warranty - Labor	1 Year
Warranty - Parts	1 Year

Safety Certifications and Approvals

CSA Listed	Yes
UL Listed	Yes

27" Electric Wall Oven/Microwave Combination

Microwave Combination Wall Oven

Available Products: GCWM2767AD, GCWM2767AF

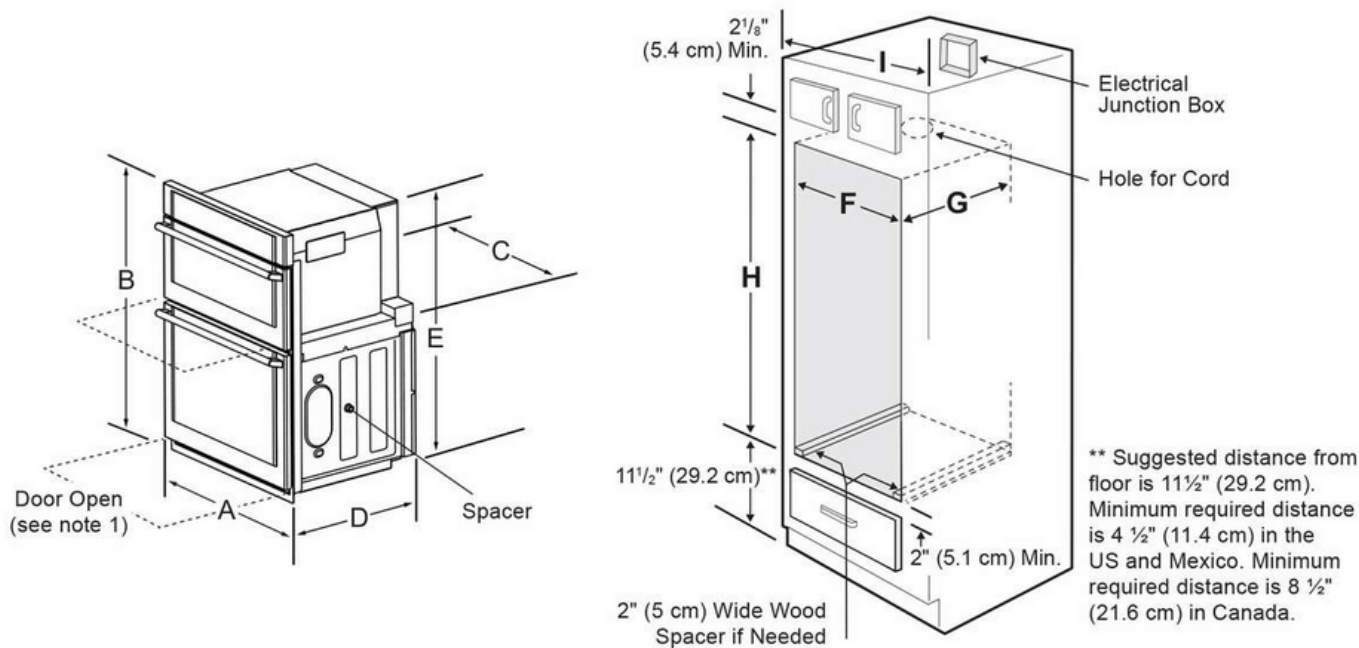
Available Colors: Black Stainless Steel, Stainless Steel

Version: 08/23

Accessories

Included Steam Tray	Yes
Optional Air Fry Tray Part Number	AFT27FRIG
	WO27TRM3SS (Stainless) ,
Optional Trim Kit Part Number	WO27TRM3DS (Black Stainless)

Installation Diagram



NOTES:

1. Allow at least 21" (53.3cm) clearance in front of oven for door depth when it is open.
2. Dimension G (cutout depth) is critical to the proper installation of the built-in oven. If the oven decorative trim does not butt against the cabinet verify dimension G to assure it is the required depth.
3. For a cutout height greater than H maximum, add 2" (5 cm) wide wood shims of appropriate height to each side of the opening under the appliance side rails. You can order a larger bottom trim through a service center.
4. If the junction box is below the oven, longer conduit cables are available through a service center.

Figure 1: Product and Cutout Dimensions

PRODUCT DIMENSIONS					
A	B	C	D		E
27 (68.6)	42 ⁵ / ₁₆ (107.4)	24 ⁵ / ₈ (62.5)	25 (63.5)		39 ³ / ₄ (101.0)
CUTOUT DIMENSIONS AND CABINET WIDTH					
F		G	H. Standard Height (**Others, see note 3)		I
Min.	Max.	Min.	Min.	Max.	
24 ⁷ / ₈ (63.2)	25 ¹ / ₂ (64.1)	24 (61.0)	39 ⁷ / ₈ (101.3)	41 ¹ / ₂ (105.5)	27 ¹ / ₈ (68.9) Min