

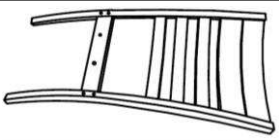
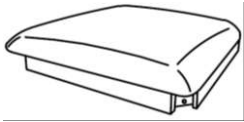

# ASSEMBLY INSTRUCTIONS

MODEL : 2132





## CRWN

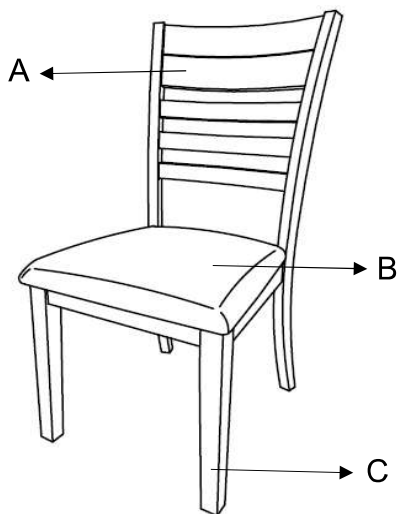
2132S Side Chair

Thank you for purchasing this quality product. Be sure to check all packing material carefully for small parts. Which may have come loose inside the carton during shipment. Identify and count all parts and compare with the hardware list as below.

Part List	No.	Picture	Description	Qty
	A		Back Rest	1 Pc
	B		Seater With Frame	1 Pc
	C		Front Leg	2 Pcs

Hardware List	No.	Picture	Description	Qty
	1		Allen Wrench	1 Pc
	2		JCBC 40mm With Washer	2 Pcs
	3		JCBC 60mm With Washer	4 Pcs
	4		JCBC 70mm With Washer	4 Pcs



PARTS DETAILS

**THE HARDWARE IS LOCATED IN THE PACKING ITEMS.**

# ASSEMBLY INSTRUCTIONS

MODEL : 2132

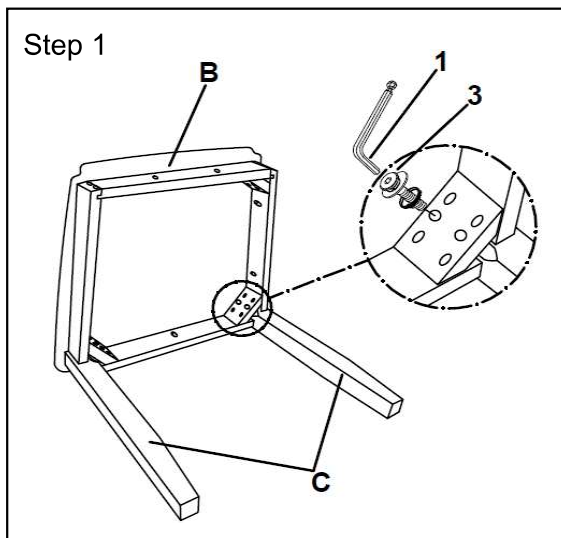
## CRWN

### 2132S Side Chair

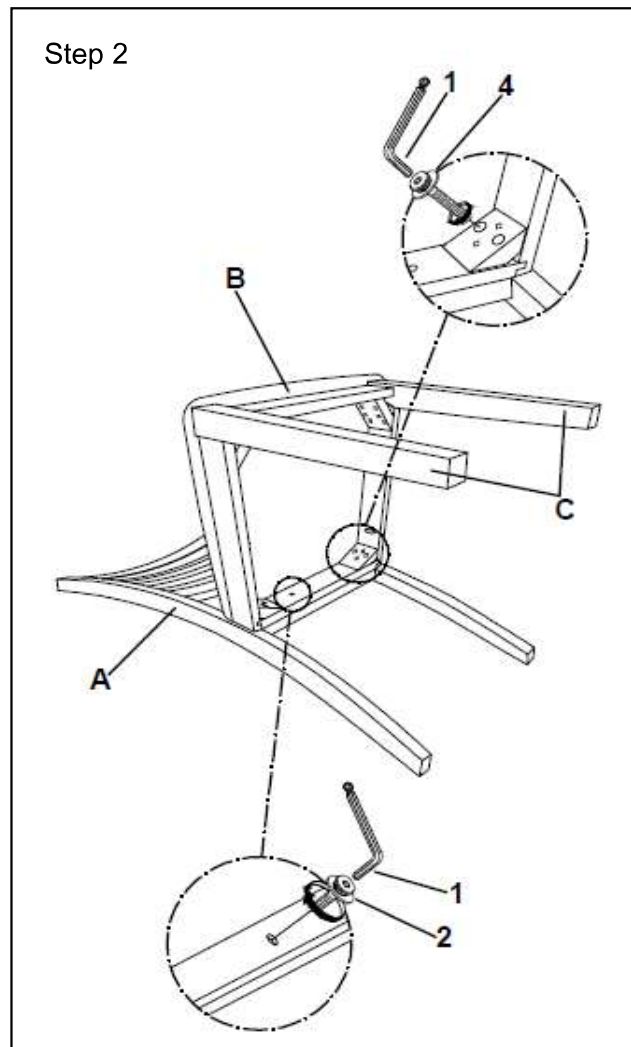
Thank you for purchasing this quality product. Be sure to check all packing material carefully for small parts which may have come loose inside the carton during shipment. Identify and count all parts and compare with the Part List as below.

NOTE: ASSEMBLE THE CHAIR ON A FLAT & SOFT SURFACE. DO NOT TIGHTEN ALL THE SCREWS UNTIL THE CHAIR HAS BEEN PUT A FLAT/HARD SURFACE ADJUST & LEVEL ALL THE LEGS SO THAT THEY DO NOT WOBBLE. ONCE ADJUSTED THEN TIGHTEN ALL THE SCREWS.

Step 1



Step 2



Step 3

