

## DAR 1230-3

36-inch wall-mounted ventilation hood  
for perfect combination with Ranges and Rangetops.



- Professional design – stainless steel hood, 36 (913) in (mm) wide
- Perfect illumination – LED ClearView lighting
- Dishwasher-safe – 3 high-quality stainless steel grease filters
- Safe and easy to clean – Miele CleanCover
- Auto-vent safety sensor – protects against overheating

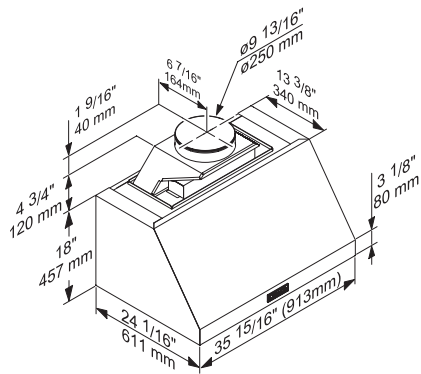
EAN: 4002516546948 / Material number: 11898170 /  
Old Material Number: 28123051USA

<b>General information</b>	
Model number	DAR 1230-3
Manufacturer material number	11898170
EAN number	4002516546948
<b>Design</b>	
Wall ventilation hood	•
<b>Required accessories</b>	
Blower	•
Duct cover	•
<b>Operating modes</b>	
Recirculated mode	Can be retrofitted
External operation possible	•
<b>User convenience</b>	
Rotary knob	•
Temperature sensor	•
Power levels (number excl. Intensive)	3
CleanCover	•
<b>Cleaning convenience</b>	
Dishwasher-safe grease collection channel	•
<b>Filter system</b>	
Number of dishwasher-safe stainless steel baffle filters	3
<b>Lighting</b>	
Number x W	3 x 3 W
<b>Fan option (buy separately)</b>	
DRIB XL internal blower in CFM (m <sup>3</sup> /h)	1189
DRIB XXL internal blower in CFM (m <sup>3</sup> /h)	1869
DREB XL external blower in CFM (m <sup>3</sup> /h)	1189
DREB XXL external blower in CFM (m <sup>3</sup> /h)	1869
<b>Technical data</b>	
Canopy width in in.(mm)	36 (913)
Canopy width in inches	35 15/16
Canopy height in in.(mm)	18 (457)
Canopy depth in in.(mm)	24 1/8 (611)
Net weight in lbs. (kg)	73 (33.0)
Length of electrical wire in ft (m)	2 (0.8)
Standard plug fitted	•
Number of phases	1
Total connected load in kW	0.80
Voltage in V	120
Fuse rating in A	15
<b>Installation note</b>	
Vent connection at top	•
Diameter of vent connection in in.(mm)	9 7/8 (250)
<b>Standard accessories</b>	
Non-return flap	•

DAR 1230-3

36-inch wall-mounted ventilation hood

for perfect combination with Ranges and Rangetops.



DAR1230 (installation drawing)

1) Installation area