

RF28R7351SR

SAMSUNG

28 cu. ft. 4-Door French Door Food Showcase Refrigerator



Signature Features

Food Showcase Door

Provides quick access to everyday items while maintaining the temperature.


AutoFill Water Pitcher

A built-in pitcher that refills with filtered water and the option to infuse with a flavor of your choice.

FlexZone™ Drawer

A flexible storage drawer with four different temperature settings and an adjustable Smart Divider to stay organized.

Available Colors

-  Fingerprint Resistant Stainless Steel (shown)
-  Fingerprint Resistant Black Stainless Steel
-  Fingerprint Resistant Tuscan Stainless Steel



Food Showcase Door



FlexZone™ Drawer

Convenience

- Food Showcase Door
- FlexZone™ Drawer with 4 Temperature Settings and Smart Divider
- Wi-Fi and Bixby Enabled
- Adjustable Shelves for Tall Oversized Items
- Auto Pull-Out Upper Freezer Drawer
- Water Filter Indicator

Design

- AutoFill Water Pitcher
- Fingerprint Resistant Finish
- Modern External Filtered Water and Ice Dispenser
- High Efficiency LED Lighting
- Accessibility (ADA Compliant)
- EZ-Open Handle™ on Freezer Door and FlexZone™ Drawer
- Tempered Glass Spill-Proof Shelves
- Gallon Door Bins
- Dispenser Light

Performance

- Twin Cooling Plus®
- Ice Max - Stores up to 4.2 lbs of ice
- Metal Cooling
- Energy Star® Compliant
- Power Freeze and Power Cool Options
- Two Humidity-Controlled Crispers
- CoolTight Door
- Door Alarm

Rating



ENERGY STAR® rated:
755 kWh/yr

RF28R7351SR

SAMSUNG

28 cu. ft. 4-Door French Door Food Showcase Refrigerator

Installation Specifications

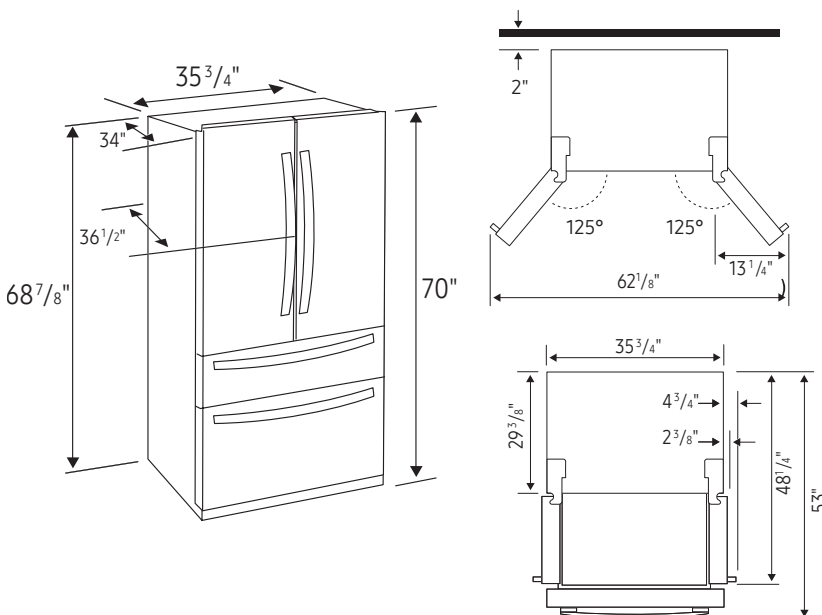
1. Measure the height, width and depth of the opening, making sure to include baseboards, molding tile, countertop overhang, etc. Check to be sure there is enough room to open the door (consider walls, islands or other obstacles when measuring).
2. Refer to illustration below to determine dimensions.
3. Allow 2.5" of clearance on hinge side of refrigerator when installing next to a wall where handle may make contact.
4. Allow 1" minimum clearance at rear for proper air circulation and water/electrical connections. Allow a 3/8" minimum clearance at sides and top for ease of installation.
5. Ensure each door and entryway in the home is wide enough for the refrigerator to be moved through easily.

For optimal usage and to be able to open refrigerator doors completely, do not install next to a wall.

Please note: The following dimension and cutout information is for planning purposes only. For complete installation details, consult manual packed with product, or download manual online at samsung.com.



Dimensions



Total Capacity: 28 cu. ft.

Refrigerator: 15.7 cu. ft.

- Food Showcase Door with Metal Cooling
- 5 Tempered Glass Spill-Proof Shelves
 - 1 Slide-In, 1 Foldable Half, 3 Fixed
- 2 Humidity-Controlled Crispers
- 6 Door Bins
 - Right Door: 1 Gallon Bin, 1 Slide-Out, 1 Regular Bin
 - Left Door: 3 Regular Bins
- High Efficiency Top LED Lighting

FlexZone™ Drawer: 3.8 cu. ft.

- EZ-Open Handle™
- 4 Temperature Zones with Smart Divider:
 - Meat/Fish (29°F)
 - Cold Drinks (33°F)
 - Deli/Snacks (37°F)
 - Wine/Party Dishes (42°F)
- High Efficiency LED Lighting

Freezer: 8.3 cu. ft.

- EZ-Open Handle™
- 1 Drawer Divider
- High Efficiency LED Lighting

Warranty

One (1) Year Parts and Labor on Refrigerator
Five (5) Years Parts and Labor on Sealed Refrigeration System Only*
Ten (10) Years Parts and Five (5) Years Labor on Digital Inverter Compressor

*Compressor, evaporator, condenser, drier and connecting tubing.

Product Dimensions & Weight

Dimensions (WxHxD with hinges, handles and doors):
35³/₄" x 70" x 36¹/₂"

Dimensions (WxHxD without hinges and door):
35³/₄" x 68⁷/₈" x 29³/₈"

Dimensions (WxHxD with hinges and door, no handle):
35³/₄" x 70" x 34"

Weight: 359 lbs.

Shipping Dimensions & Weight (WxHxD)

Dimensions: 38¹/₄" x 75³/₄" x 36¹/₄"

Weight: 381 lbs.

Color

Fingerprint Resistant
Stainless Steel

Model

RF28R7351SR

UPC Code

87276304953

Fingerprint Resistant
Black Stainless Steel

RF28R7351SG

887276304946

Fingerprint Resistant
Tuscan Stainless Steel

RF28R7351DT

887276304939