

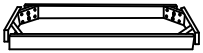


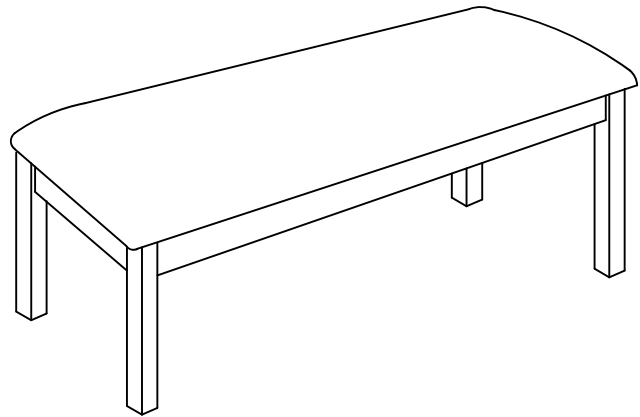
WINNERS ONLY® ASSEMBLY INSTRUCTIONS



PROD. NO: DV2455

Thank you for purchasing this quality product. Be sure to check all packaging materials carefully for small parts that may have come loose inside the carton during shipment.

"Hardware is attached underneath the seat bottom"

Sketch		Qty
A	Cushion Seat 	1 PC
B	Leg 	4 PCS
C	Seat Frame 	1 PC



HARDWARE LIST				
NO.	Description	Size	Sketch	Qty
1	JCBC Bolt with washers	M6X60mm		8 PCS
2	Allen Key			1 PC

Reminders

1. Use only the hardware supplied.
2. Once the chair is finished, level and tighten all the bolts.
3. Do not over-tighten bolts.
4. This item may require periodic tightening.

NOTE: 1) Hardware pack is located underneath the Seat (A).
2) Please keep all hardware parts out of reach of children.

Step 1: Place the Cushion Seat with Seat Frame (A & C) upside down on a soft protective surface such as a carpet. Attach Leg (B) to the Seat Frame (C) and secure with JCBC Bolt with washers (1). Tighten the JCBC Bolt with Allen Key (2). Repeat this step for the remaining legs.

Assembly is now completed.
Thank you for purchasing this product.

