

PROFESSIONAL GRILLS

Modular Storage Drawer (Model LMD)

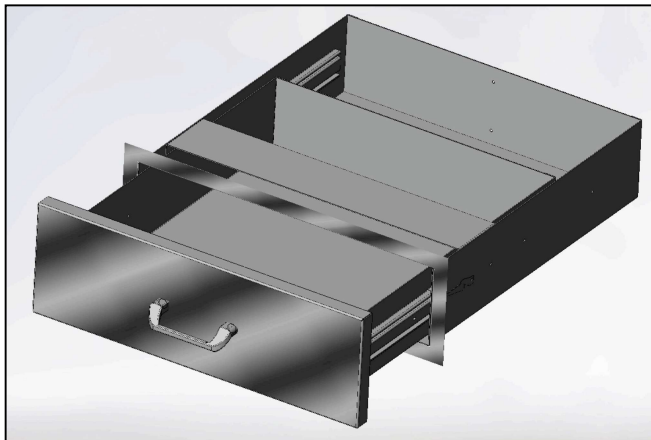
The modular storage drawer offers a shallow depth, easy to organize storage solution for outdoor kitchens. Modeled after indoor kitchen drawers, the shallow and wide design makes finding your favorite grill tool, condiment or towel simple.

Features:

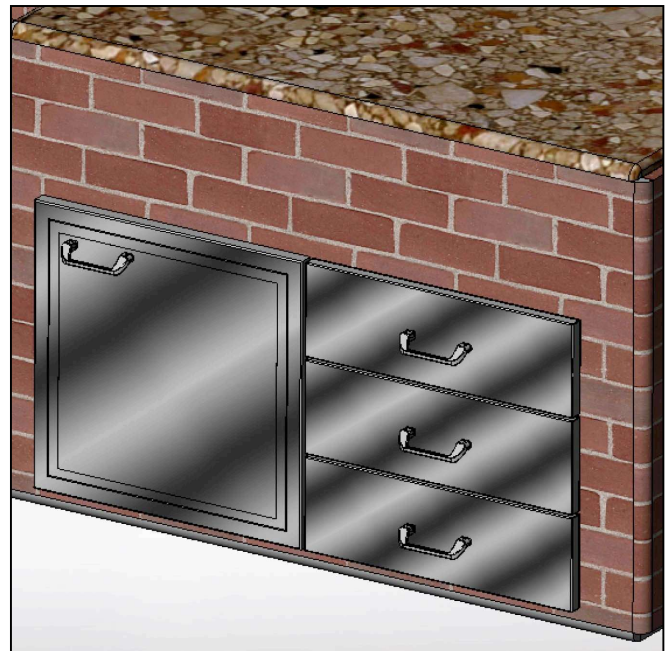
- Rigid 304 stainless steel construction.
- Full extension drawer slides for easy access to the back of the drawer.
- Drawers can be installed individually or stacked in 2 or 3-drawer configurations.
- 3-drawer configuration matches the height of Lynx LDR Access Doors.
- A Modular Drawer Kit (Model LMD-KIT) is required when drawers are stacked 2 or 3 high.

Drawer Dimensions:

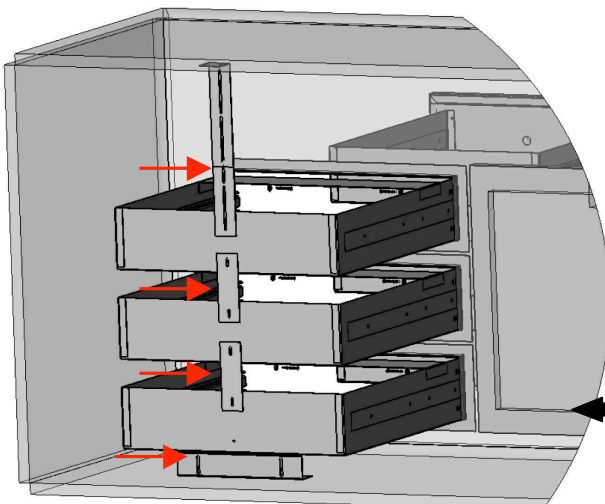
- Interior Drawer - 20 3/8" W x 23" D x 4 7/8" H
- Drawer Face - 7 5/8" H x 23 5/8" W



Rendering of Modular Drawer (Model LMD)



Rendering of Modular Drawer stacked 3-high and paired with a Lynx Access Door.



Rear view of installation details. Red arrows indicate parts that are included with the Modular Drawer Kit (Model LMD-KIT) allowing the individual drawers to be stacked 2 or 3 high.