

30-Inch Gas Cooktop

TRANSITIONAL



DTG30P875NS/DA - Silver Stainless, Natural Gas

Features & Benefits

- SimmerSear™ burners
- Illumina™ Knobs
- SmartThings Wi-Fi connectivity
- Auto Connect to compatible ventilation through Bluetooth
- LP conversion kit

Controls

CONTROL TYPE	Knobs
ILLUMINA™ KNOBS	White
WI-FI + SMARTTHINGS	Yes
SABBATH MODE	Yes

Cooktop

NUMBER OF BURNERS	5 Aluminum
PERMA-FLAME™ (AUTO RE-IGNITION)	No
LEFT FRONT (BTU)	9,500
LEFT REAR (BTU)	9,500
CENTER (BTU)	19,000
RIGHT FRONT (BTU)	13,000
RIGHT REAR (BTU)	9,500
BRASS BURNER CAPS	No
GRIDDLE	Yes
WOK RING	Yes

Weights & Dimensions

NET WEIGHT (LBS.)	76
SHIPPING WEIGHT (LBS.)	84
PRODUCT DIMENSIONS (W x H x D IN INCHES)	30 x 3 ½ x 21
CUTOUT REQUIRED (W x D IN INCHES)	28 ½ x 19 ¾

Technical Details

ELECTRICAL REQUIREMENTS	120V, 60 Hz, 20A
AVAILABLE FUEL TYPES	Natural Gas, Liquid Propane
LP CONVERSION KIT (INCLUDED)	Yes

Warranty

FULL COVERAGE	2 Years
----------------------	---------

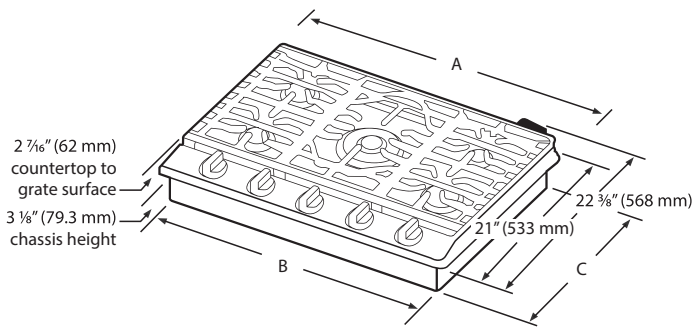
30-Inch Gas Cooktop

TRANSITIONAL



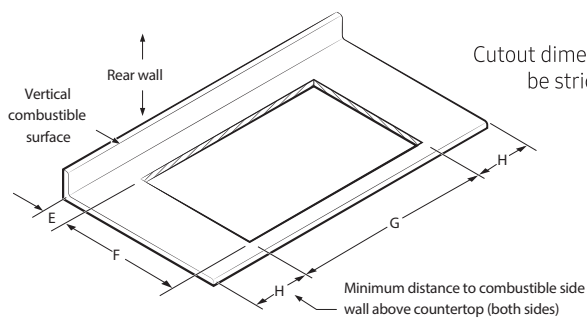
Product Dimensions

A - WIDTH (IN/MM)	30 / 762
B - CHASSIS WIDTH (IN/MM)	28 1/8 / 715
C - CHASSIS DEPTH (IN/MM)	19 3/8 / 492



Installation Cutout Dimensions

E - MIN (IN/MM)	2 7/8 / 73
F - MIN (IN/MM)	19 3/8 / 498.5
G - MIN (IN/MM)	28 1/2 / 723.9
H - MIN (IN/MM)	12 / 304.8



CAUTION
Cutout dimensions should be strictly observed.