

⚠ CAUTION

Installing a recirculating unit assembly will impact all aspects of hood installation including hood location, electrical placement and adequacy of mounting structure.

Recirculating Ventilation Hood Kits are designed for use with Wolf Pro Series Wall Hoods

NOTE: A 500 or 600 cfm internal blower must be used with recirculating kit.

All Recirculating Units Contain:

QTY. DESCRIPTION

- 8 #8-18x1/2" Self Tapping Screws
- 1 Installation Instruction

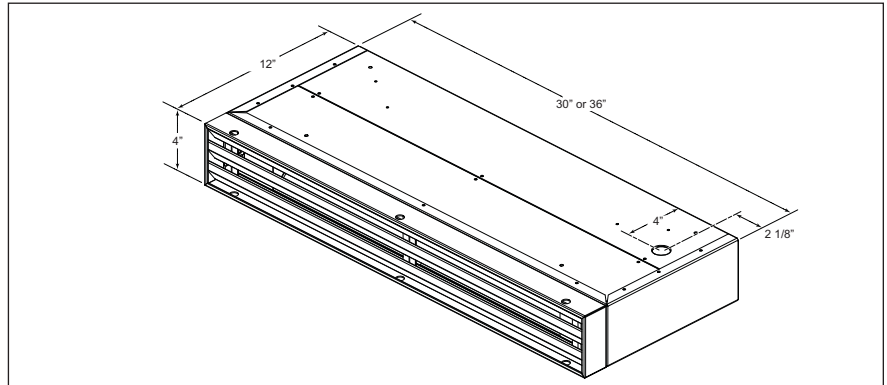
Depending on unit purchased, kit also includes:

QTY. DESCRIPTION

- 2 Charcoal filters

Recirculating Ventilator Hood Install:

1. Consult Hood installation instructions for proper location and mounting procedures of hood assembly.
2. Remove grille (according to item 1 in the filter replacement section).
3. Remove back panel in order to remove transition.
4. Remove transition from inside hood, and discard (transition will not be used).
5. Reinstall back panel if it was removed.
6. Attach recirculating unit to the hood using (4) #8 - 18 x 1/2" self-tapping screws (as shown in Figure 1). Screws are inserted from the inside of the hood.
7. Mount hood assembly to wall according to installation instructions provided with hood.



Unit Measurements

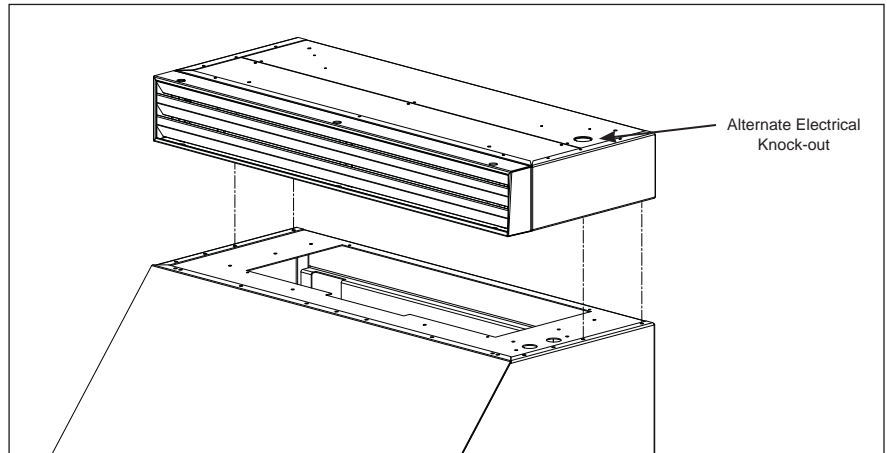


Fig. 1 Recirculating Ventilation Hood

Filter Replacement:

NOTE: The Charcoal filter should be replaced every 3-4 months.

1. Use even pressure on grille to pull from unit.
2. Lift up finger tabs on filter to release, then pull forward.
3. To install new filter, place top edge to spring mounts and push inward to latch.
4. Install grille with louvers facing up, press in, using even pressure on each side. Press until latches.

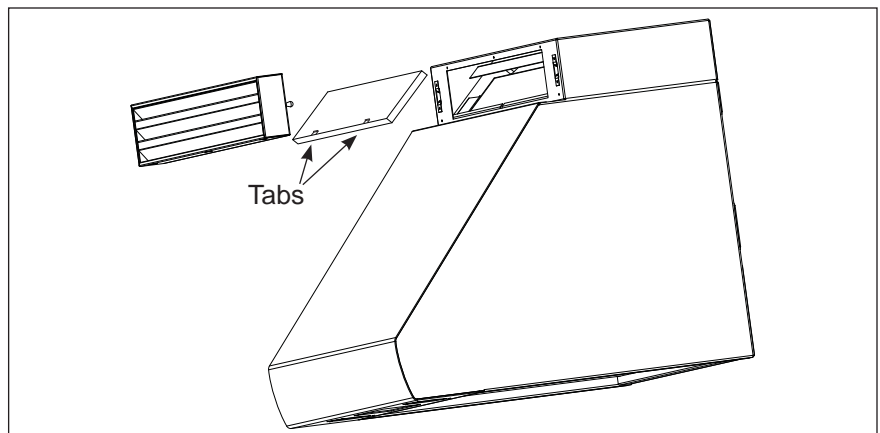


Fig. 2 Filter Replacement