



OUTDOOR COOKING

Outdoor Power Burner

AGPB24

Use & Care Manual
Installation & Operation

 HESTAN

**HESTAN OUTDOOR, MOST
POWERFUL, VERSATILE
AND RELIABLE OUTDOOR
COOKING AVAILABLE.**



 **DANGER**

If you smell gas:

1. Shut off gas to the appliance.
2. Extinguish any open flame.
3. Open lid.
4. If odor continues, keep away from the appliance and immediately call your gas supplier or your fire department.

 **DANGER**

1. Do not store or use gasoline or other flammable liquids or vapors in the vicinity of this or any other appliance.
2. An LP cylinder not connected for use shall not be stored in the vicinity of this or any other appliance.

▲WARNING IF THE INFORMATION IN THIS MANUAL IS NOT FOLLOWED EXACTLY, A FIRE OR EXPLOSION MAY RESULT CAUSING PROPERTY DAMAGE, PERSONAL INJURY, OR DEATH.

▲WARNING Do not try lighting this appliance without reading the LIGHTING INSTRUCTIONS section of this manual.

▲WARNING For outdoor use ONLY. This cooking appliance is not intended to be installed in or on recreational vehicles, and/or boats.

▲WARNING Flammable Gas - disconnect all propane or natural gas supplies to this unit before servicing.

▲WARNING Electrical Parts & Components – disconnect all power supplies and batteries before servicing.

READ THIS MANUAL CAREFULLY AND COMPLETELY BEFORE USING YOUR APPLIANCE TO REDUCE THE RISK OF FIRE, BURN HAZARD, OR OTHER INJURY. KEEP THIS MANUAL FOR FUTURE REFERENCE.



Message from Hestan:

Outdoor cooking is a perfectionist's pursuit, and with your new investment, you've now taken the ultimate step forward. We sincerely welcome you to the Hestan Family. We've engineered and built our products so that your guests will rave about your meal, but deep down, our customers know it could've been just a little more tender, juicier – a pinch more salt in the rub or a few seconds less on the flame. Yes, we've taken the time to know our Hestan customer and we're excited to be on this journey with you. Hestan Outdoor was born from this same perfectionist passion. Our engineers experimented, innovated, tweaked and tinkered until they created the most powerful, versatile and reliable outdoor products available.

We pride ourselves on restless innovation, superior engineering and purpose-built designs, but also our in-depth understanding of our target consumer and the interests and needs of the ultimate end-users we serve and covet. For many consumers, cooking outdoors is much more than an act of food preparation. It's a lifestyle activity that encompasses culinary, leisure and social pursuits among others.

We are thankful and proud that you have chosen Hestan, and we yearn to have you as a customer for life. We take your decision to choose Hestan most seriously, and we promise to deliver the very best to you.

Welcome to Hestan Outdoor

TABLE OF CONTENTS



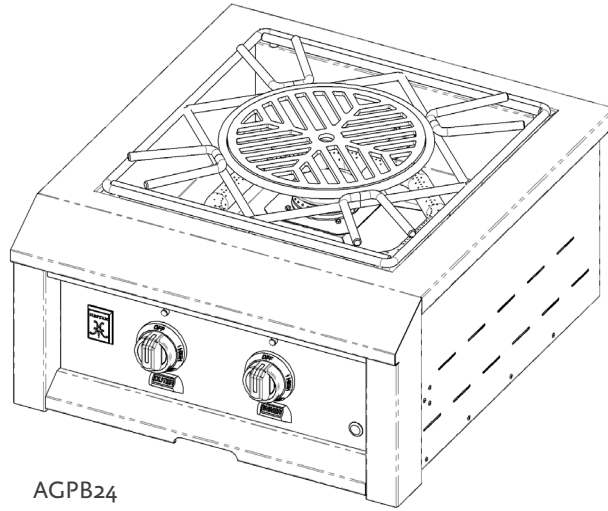
EN

4	MODEL NUMBERS
5	RATING LABELS
5	PRECAUTIONS
8	REGULATORY / CODE REQUIREMENTS
9	LOCATION AND ASSEMBLY
9	INSTALLATION
12	GAS AND ELECTRICAL CONNECTIONS
18	LIGHTING INSTRUCTIONS
19	USING YOUR POWER BURNER
19	CLEANING AND MAINTENANCE
23	TROUBLESHOOTING
24	WIRING SCHEMATICS
26	PARTS LIST
26	SERVICE
26	WARRANTY



MODEL NUMBERS

EN





AGPB24

BUILT-IN MODELS

Model No.	Description
AGPB24-NG / -LP	24" BUILT-IN POWER BURNER

RATING LABEL

The rating label contains important information about your Hestan appliance such as the model and serial number, gas type and manifold pressure, the BTU rating for each burner type, and the minimum installation clearances.

 HESTAN COMMERCIAL CORP. ANAHEIM, CA. - USA				MODEL / MODELE SER. NO. / NO. SER.		PATENTED: http://outdoor.hestan.com/patents.pdf 										
VOLTS 120 Hz 60 PHASE 1 AMPS <1		GAS TYPE (TYPE DE GAZ)		BTU/HOUR/ OUTER BURNER (BRÛLEUR EXTÉRIEUR)		CONFORME À LA NORME ANSI Z21.58-2015 CSA 1.6-2015 APPAREIL DE CUISSON AU GAZ POUR USAGE EN PLEIN AIR										
OUTLET PRESSURE (PRESS. SORTIE) INCH W.C. kPa		BTU/HOUR/ INNER BURNER (BRÛLEUR INTÉRIEUR)		CONFORME TO ANSI Z21.58-2015 CSA 1.6-2015 OUTDOOR COOKING GAS APPLIANCES		POUR UTILISATION À L'EXTÉRIEUR SEULEMENT. SI L'APPAREIL EST ENTREPOSÉ À L'INTÉRIEUR, ENLEVER LES BOUTEILLES ET LES LAISSER À L'EXTÉRIEUR. NE PAS ENTREPOSER DE BOUTEILLE DE GPL SOUS L'APPAREIL OU À PROXIMITÉ DE CELUI-CI ET DE TOUTE SOURCE DE CHALEUR. NE JAMAIS REMPLIR UNE BOUTEILLE DE GPL À PLUS DE 80% DE SA CAPACITÉ. UN INCENDIE CAUSANT LA MORT OU DES BLESSURES GRAVES PEUT SE PRODUIRE. NE PAS UTILISER CET APPAREIL SOUS DES SURFACES COMBUSTIBLES EN SURPLOMB. CONVIENT UNIQUEMENT POUR INSTALLATION DANS UNE ENCEINTE ENCASTRÉE FAITE DE MATÉRIEL NON-COMBUSTIBLES. MISE EN GARDE: UTILISER QUE LE DÉTENDEUR FOURNI AVEC CET APPAREIL. CE RÉGULATEUR EST RÉGLÉ POUR UNE PRESSION DE SORTIE SPÉCIFIÉE CI-DESSUS.										
MINIMUM CLEARANCE FROM SIDES AND BACK OF UNIT DÉGAGEMENT MINIMAL ENTRE LES PAROIS LATÉRALES ET L'ARRIÈRE DE L'APPAREIL.				FOR OUTDOOR USE ONLY. IF STORED INDOORS, DETACH AND LEAVE GAS CYLINDER OUTDOORS. DO NOT STORE A SPARE LP-GAS CYLINDER UNDER OR NEAR THIS APPLIANCE. NEVER FILL THE GAS CYLINDER BEYOND 80% FULL. IF THE INFORMATION ABOVE IS NOT FOLLOWED EXACTLY, A FIRE CAUSING DEATH OR SERIOUS INJURY MAY OCCUR. DO NOT USE THIS APPLIANCE UNDER OVERHEAD COMBUSTIBLE SURFACES. ONLY FOR INSTALLATION IN A BUILT-IN ENCLOSURE CONSTRUCTED OF NON-COMBUSTIBLE MATERIALS. CAUTION: USE ONLY THE GAS PRESSURE REGULATOR SUPPLIED WITH THIS APPLIANCE. THIS REGULATOR IS SET FOR AN OUTLET PRESSURE AS SPECIFIED ABOVE.												
<table border="1"> <thead> <tr> <th></th> <th>COMBUSTIBLE</th> <th>NON-COMBUSTIBLE</th> </tr> </thead> <tbody> <tr> <td>BACK / ARRIÈRE</td> <td>9"</td> <td>0"</td> </tr> <tr> <td>SIDES / CÔTÉS</td> <td>9"</td> <td>0"</td> </tr> </tbody> </table>			COMBUSTIBLE	NON-COMBUSTIBLE	BACK / ARRIÈRE	9"	0"	SIDES / CÔTÉS	9"	0"					PIN 010032 REV A	
	COMBUSTIBLE	NON-COMBUSTIBLE														
BACK / ARRIÈRE	9"	0"														
SIDES / CÔTÉS	9"	0"														

Hestan Outdoor Power Burner rating label is located on the underside of the drip pan.

PRECAUTIONS - BEFORE YOU USE YOUR POWER BURNER

When properly cared for, your Hestan Power Burner will provide safe, reliable service for many years. However, extreme care must be used since the Power Burner produces intense heat, which can cause serious injury or even death if the instructions are not followed carefully. When using this appliance, basic safety practices must be followed as outlined below.

1. NEVER LEAVE THE POWER BURNER UNATTENDED WHILE COOKING.
2. Children should not be left alone or unattended in an area where the Power Burner is being used. Never allow them to sit, stand, or play on or around the Power Burner. Do not store items of interest to children around or below the Power Burner. Never allow children to crawl underneath.
3. Never operate the Power Burner while under the influence of alcohol or drugs.
4. Never use the Power Burner in windy conditions. If located in a consistently windy area, oceanfront, mountaintop, etc., a windbreak will be required. Always adhere to the specified clearances as described in the INSTALLATION section of this manual.
5. The Power Burner shall be used only outdoors and shall not be used in buildings, garages, sheds, breezeways, or any enclosed areas. Do not operate the Power Burner under unprotected, combustible construction. Use only in well-ventilated areas. See the INSTALLATION section of this manual.
6. Do not use the Power Burner unless a leak check has been performed on all gas connections. See the GAS CONNECTIONS section of this manual.
7. If the Power Burner is installed by a professional installer or technician, be sure that they show you where your gas supply shut-off is located. All gas lines must have a shut-off that is easily accessible. If you smell gas, check for leaks immediately. Check only with a soap and water solution. Never check gas leaks with an open flame. See the GAS CONNECTIONS section of this manual.
8. Check the regulator, hoses, burner ports, and venturi / valve section carefully. Always turn off gas at the source (tank or supply line) prior to inspecting parts.



PRECAUTIONS - BEFORE YOU USE YOUR POWER BURNER *(continued)*

9. When lighting a burner, always pay close attention to what you are doing. Be certain you are turning the correct knob labeled for the burner you intend to use. If any burner does not light, or goes out during operation, turn off all gas control knobs, and wait five (5) minutes before attempting to re-light. See the LIGHTING INSTRUCTIONS section of this manual.
10. Keep any electrical supply cord away from the heated areas of the Power Burner. The cord is provided with a 3-prong grounding plug which should not be removed or altered. Do not use this appliance with an ungrounded, 2-prong adapter. The cord must be plugged into a properly grounded GFCI-protected outlet. See INSTALLATION section of this manual.
11. Spiders and insects like to nest in the burners, venturis, valves, and orifices of a Power Burner, disrupting the gas flow in the burner. This very dangerous condition can cause a fire behind the control panel, damaging the Power Burner and risking personal injury. If your Power Burner has been unused for a long time, inspect and clean the burners, venturis, valves, and orifices. It is recommended you inspect your Power Burner at least twice a year. See BURNER ADJUSTMENT section of this manual for details.
12. Keep the areas surrounding the Power Burner free from combustible materials, trash, or combustible fluids and vapors such as gasoline or charcoal lighter fluid. Do not obstruct the flow of combustion gases and ventilation airways (front).
13. Never attempt to move the Power Burner grate or center plate when hot. When in use, portions of the Power Burner are hot enough to cause severe burns.
14. Always have an "ABC" type fire extinguisher accessible – never attempt to extinguish a grease fire with water or other liquids.
15. Avoid wearing loose-fitting garments or long sleeves while cooking with the Power Burner. They could ignite. For personal safety, wear proper apparel while cooking. Some synthetic fabrics are highly flammable and should not be worn while cooking.
16. Never let pot holders, covers, or other flammable materials come in contact with or too close to any cooking grate, burner, or hot surface until it has cooled down sufficiently. Fabrics may ignite and result in personal injury. Use only dry potholders. Moist or damp potholders on hot surfaces may cause burns from steam. Do not use a towel or bulky cloth in place of potholders. Do not let potholders touch hot portions of the cooking grate.
17. Never touch the cooking grate or immediate surrounding metal surfaces with your bare hands while cooking with the Power Burner, as these areas become extremely hot and could cause burns. Use only the handles and knobs provided for operation of the Power Burner.
18. Protect your hands with an insulated glove or mitt when operating the Power Burner. Always keep your face away and open lids slowly on pots and pans to allow heat and steam to escape before fully opening. Never lean over an open hot Power Burner.
19. The Power Burner metal cover must be removed while lighting. Leaving the cover in place while lighting can result in an explosion and personal injury, or death. Never lean over a Power Burner or look directly into the burner when attempting to light. See the LIGHTING INSTRUCTIONS section of this manual.
20. Do not heat unopened food containers (cans) as pressure build-up will cause the container to explode.
21. Do not use aluminum foil to line the burner bowl or the drip tray. This will alter the airflow to the burner or trap excessive heat in the control area. This can melt control knobs, wiring, or igniters, and increase the risk of personal injury. Such damage is specifically excluded from our warranty.
22. Never use the Power Burner without the drip tray in place and pushed all the way to the back. Without the drip tray, hot grease or oil from a spill-over can leak downward creating a fire or explosion hazard.

PRECAUTIONS - BEFORE YOU USE YOUR POWER BURNER *(continued)*



EN

23. Grease is extremely flammable. Let hot grease cool before attempting to handle or dispose of it. Avoid letting excessive grease deposits collect by cleaning the drip tray often. Never clean while the Power Burner is on, or hot from recent use.
24. Cooking excessively fatty meats and oils will cause flare-ups or grease fires. Damage caused by them or by the Power Burner being left unattended, are not covered under the terms and conditions of our warranty.
25. Only certain types of glass, heatproof glass-ceramic, earthenware, or other glazed utensils are suitable for Power Burner use. However, these types of materials may break with sudden temperature changes. Use only on low or medium heat settings, and according to their manufacturers' directions.
26. Do not repair or replace any part of the Power Burner unless specifically recommended in this manual. All other warranty and non-warranty service should be referred to and performed by a qualified technician.
27. For proper lighting and performance of the burners, keep the ports clean. It is necessary to clean them periodically for optimum performance. The burners will operate only in one position and must be mounted correctly for safe operation. See BURNER ADJUSTMENT section of this manual.
28. Clean the Power Burner with caution. Avoid steam burns - do not use a wet sponge or cloth to clean the Power Burner while it is hot. Some cleaners produce noxious fumes or can ignite when applied to a hot surface. Be sure all Power Burner controls are turned off and the appliance is cool before using any type of aerosol cleaner on or around the appliance. The chemical that produces the spraying action could, in the presence of heat, ignite or cause metal parts to corrode. Clean and perform general maintenance on the Power Burner twice a year. Watch for corrosion, cracks, or insect activity. See the CLEANING AND MAINTENANCE section of this manual.



REGULATORY / CODE REQUIREMENTS

EN

Installation of this cooking appliance must be made in accordance with local codes. In the absence of local codes, this unit should be installed in accordance with the National Fuel Gas Code *ANSI Z223.1/NFPA 54*, Natural Gas and Propane Installation code *CSA B149.1*, or Propane Storage and Handling Code *B149.2*.

All Electrical Components must be electrically grounded in accordance with local codes or in the absence of local codes with the National Electrical Code *ANSI/NFPA 70*, or Canadian Electrical code *CSA C22.1*.

COMMONWEALTH OF MASSACHUSETTS

The Commonwealth of Massachusetts requires all gas be installed by a licensed plumber or gas-fitter carrying the appropriate Massachusetts license. All permanently installed natural gas or propane installations require a "T" handle type manual gas valve be installed in the gas supply line to this appliance. This does not apply to portable propane installations using a 20 pound cylinder.

CALIFORNIA PROPOSITION 65 - WARNING

The burning of gas cooking fuel generates toxic by-products, which are on the list of substances which are known by the State of California to cause cancer or reproductive harm. California law requires businesses to warn customers of potential exposure to such substances. To minimize exposure to these substances, always operate this unit according to the use and care manual, ensuring you provide good ventilation when cooking with gas. This warning is issued pursuant to California Health & Safety Code Sec. 25249.6.

LOCATING AND ASSEMBLING THE POWER BURNER



When determining a suitable location for your Power Burner, take into account concerns such as exposure to wind, rain, sprinklers, proximity to traffic paths, and keeping any gas supply line runs as short as possible.

Locate the Power Burner only in a well-ventilated area. Never locate the Power Burner in a building, garage, breezeway, shed or other such enclosed areas without an approved ventilation system. Never locate the Power Burner over, under, or next to unprotected combustible construction.

Using the Power Burner in windy areas can disrupt the flame, especially on low or simmer settings. This may cause nuisance sparking of the igniters. Relocate to a less windy area. If the Power Burner is mounted in an enclosure (island), you may need to build a wind-break to avoid this issue in the future.

When installing a Power Burner or other gas appliance into an enclosure (island), the enclosure must be constructed with ventilation openings to avoid accumulation of gas should there be a leak. See the INSTALLATION section of this manual for details. Keep the area underneath the Power Burner free of debris.

Ensure all packaging, straps, etc. have been removed from the Power Burner. Remove any tie-down wires from the burners.

Ensure that the burner cap is mounted correctly on the center burner ring. Do not operate the Power Burner without the burner cap in place (see Fig. 1).

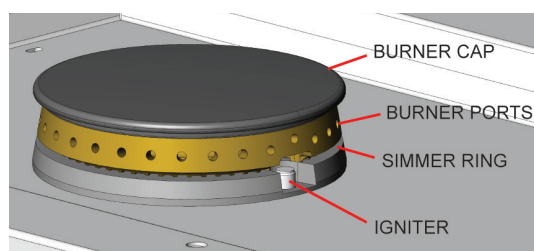


Figure 1

INSTALLATION



CLEARANCES:

TO NON-COMBUSTIBLE CONSTRUCTION

A minimum of 4" (10 cm) clearance from the sides and back of the Power Burner to non-combustible construction is required. This is especially important when cooking with large diameter pots.

TO COMBUSTIBLE CONSTRUCTION

This appliance must be installed in a **NON-COMBUSTIBLE ENCLOSURE (ISLAND) ONLY**. It should **NOT** be installed on, over, or next to unprotected combustible construction. Do not use this appliance under unprotected overhead combustible surfaces. The countertop, and everything under the countertop must be of non-combustible materials. A minimum clearance to vertical combustible material is 9" (23 cm) on the sides and the rear of the appliance.

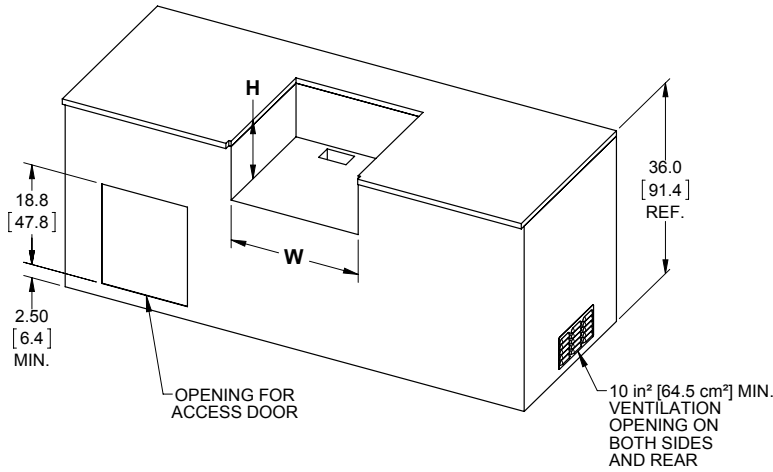
▲WARNING

As an example, if you have an island with a stucco or tiled surface and wood-frame construction beneath, the wood is considered combustible, even though the Power Burner is touching the stucco or tile surface, which is non-combustible. In extreme circumstances, the wood could potentially get hot enough to burn. Therefore, **ALL** the construction must be non-combustible. Adjacent walls above the cooking surface should also be non-combustible. If those adjacent surfaces are made of combustible material, they must be outside this 9" (23 cm) zone. The Power Burner has a very high output, and if installed in a confined area with a large pot on top, the potential to heat up adjacent surfaces is dangerous and could result in property damage.



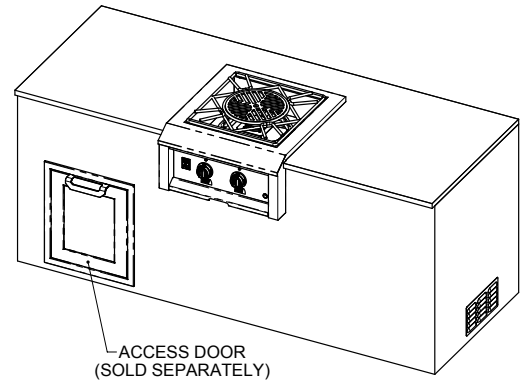
INSTALLATION *(continued)*

BUILT-IN DIMENSIONS:

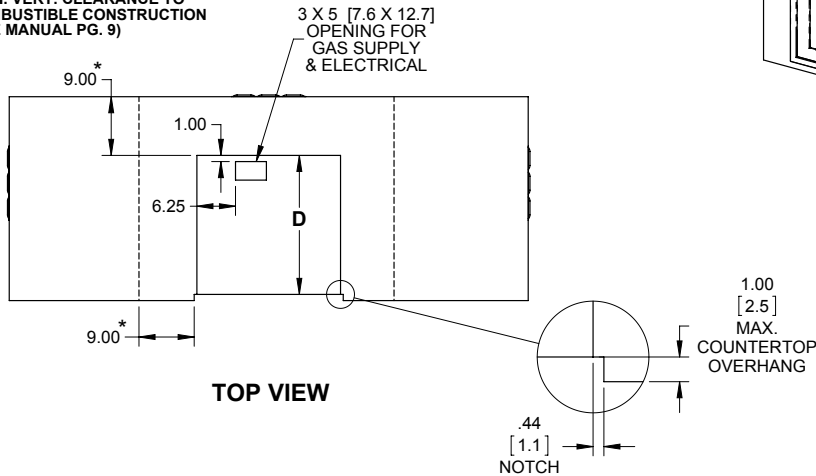


LAYOUT FOR NON-COMBUSTIBLE ENCLOSURE (ISLAND)

POWER BURNER	W		D		H	
	(in)	(cm)	(in)	(cm)	(in)	(cm)
AGPB24	23.25	59.1	22.50	57.2	11.13	28.3



* MIN. VERT. CLEARANCE TO COMBUSTIBLE CONSTRUCTION (SEE MANUAL PG. 9)



TYPICAL ISLAND COUNTERTOP INSTALLATION

DIMENSIONS IN [] ARE IN CM.

VENTILATION OPENINGS

A minimum of three 10 in² (65 cm²) of ventilation openings must be provided for both left and right sides of your enclosure (island), as well as the back. These openings are required to safely dissipate gas vapors if there is a leak in your enclosure.

BUILT-IN INSTALLATION

Your Hestan Power Burner comes ready to install into your enclosure (island). It is recommended to build your enclosure 6-9" (15-23 cm) LOWER than the adjacent countertop. This provides a safer working height when cooking with a wok or very large stockpots, such as when frying a turkey or cooking a large seafood-boil. Proceed to the GAS CONNECTIONS section for further instruction.

**Hestan delivers
the consistent
control**





GAS AND ELECTRICAL CONNECTIONS

GAS SUPPLY

The local gas authority or supplier should be consulted at the installation planning stage in order to establish the availability of an adequate supply of gas (NG or LP). If it is a new installation, have the gas authorities or supplier check the meter size and piping to assure that the unit is supplied with the necessary amount of gas supply and pressure to operate the unit(s).

Gas connections should be made by a qualified plumber, or your professional outdoor appliance installer.

All fixed (non-mobile) appliances must be fitted with an accessible upstream gas shutoff valve as a means of isolating the appliance for emergency shut off and for servicing.

Make certain new piping and connections have been made in a clean manner and have been purged so that piping compound, chips, etc. will not clog regulators, valves, orifices, or burners. Use pipe joint compound / thread sealant approved for natural and LP gases.

NEVER CONNECT THE POWER BURNER TO AN UNREGULATED GAS SUPPLY. Before proceeding, ensure the appliance is fitted for Natural or Liquid Propane gas. Connecting to an improper gas type will result in poor performance and increased risk of damage or injury. Gas type and gas consumption (BTU per hour) for each burner type is shown on the rating label affixed to the underside of the drip tray.

Installation of this cooking appliance must be made in accordance with local codes. In the absence of local codes, this unit should be installed in accordance with the National Fuel Gas Code No. *Z223.1/NFPA 54*, Natural Gas and Propane Installation code *CSA B149-1*, or Propane Storage and Handling Code *B149.2*.

NOTE: See rating label for manifold pressure for the type of gas of your appliance.

CONVERSION KITS

Gas conversion kits are available from your Hestan dealer should you need to convert an LP unit to NG, or vice-versa.

HIGH ALTITUDE KITS

If you live in a high altitude area, 2,000 ft. (610 m) or more above sea level, your Power Burner will require different orifices for proper combustion and performance. High altitude kits are available through Hestan Customer Service. Please have your model and serial number information ready when you call.

GAS AND ELECTRICAL CONNECTIONS *(continued)*

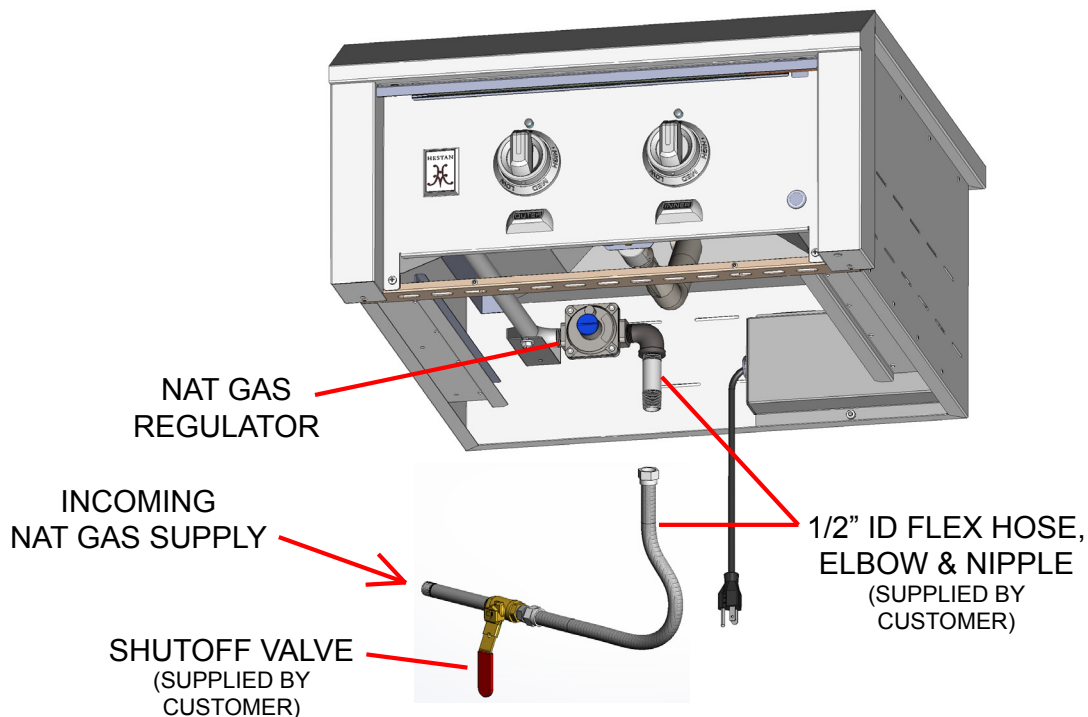


EN

GAS CONNECTION - NATURAL GAS (NG)

NOTE: To ensure proper heating performance of this appliance, verify that the gas line supply pressure is adequate. Use only the gas pressure regulator supplied with this appliance. This regulator is set for a supply pressure of 7" WC (1.74 kPa) to maintain 4" WC (1.00 kPa) outlet (manifold) pressure. Use a minimum 1/2" ID flex hose to prevent gas starvation. Ensure that the service pipe supplying the Power Burner is fitted with a shut-off valve conveniently positioned and easily accessible as an emergency gas shut-off.

HESTAN POWER BURNER (MODEL AGPB24-NG)



Your Hestan Power Burner for use with Natural Gas is supplied with its own regulator which **MUST NOT** be removed. If this regulator needs to be replaced, use only the type specified by Hestan for this appliance.

To connect the gas supply, follow the next steps:

1. Locate the regulator mounted underneath your Power Burner and install a 1/2" NPT elbow and nipple as shown above. The nipple should be at least 3" long.
2. Connect gas supply using a minimum 1/2" diameter flexible (semi-rigid) stainless steel gas hose, no more than 48" in length. Be sure to use proper fittings and a flexible hose as short as possible to make the connection. The hose as well as the connectors must comply with the *Standard for Connectors for Outdoor Gas Appliances and Manufactured Homes, ANSI Z21.75 • CSA 6.27*, and suitable for outdoor installation. Use the appropriate thread sealant on all connections.
3. Proceed to LEAK TESTING section.



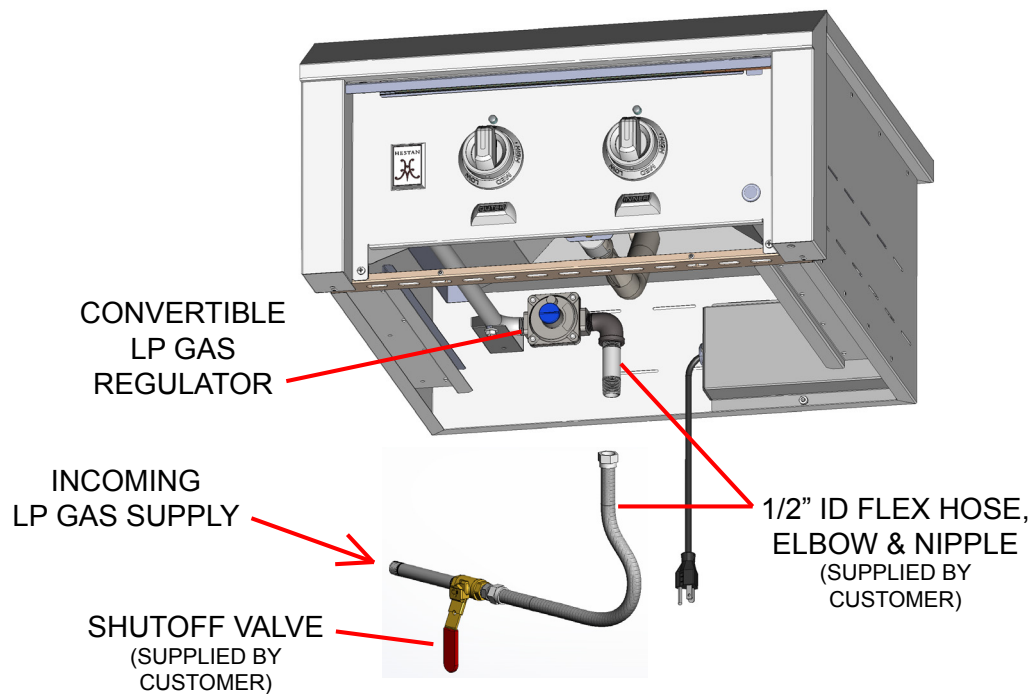
GAS AND ELECTRICAL CONNECTIONS *(continued)*

GAS CONNECTION - LIQUID PROPANE (LP) PIPED SYSTEMS

An LP piped system is one with a large central LP tank that feeds an entire household. These systems are normally equipped with a high pressure regulator by the large LP tank, and may have low pressure regulators close to the home. The gas line connectors must comply with the *Standard for Connectors for Outdoor Gas Appliances and Manufactured Homes, ANSI Z21.75 • CSA 6.27*, and suitable for outdoor installation. The connection shall be 48 inches (1.22 m) or less.

NOTE: To ensure proper heating performance of this appliance, verify that the gas line supply pressure is adequate. Use only the gas pressure regulator supplied with this appliance. The regulator must be set for a supply pressure of 11" WC (2.74 kPa) to maintain 10" WC (2.49 kPa) outlet (manifold) pressure. Use a minimum 1/2" ID flex hose to prevent gas starvation. Ensure that the service pipe supplying the Power Burner is fitted with a shut-off valve conveniently positioned and easily accessible as an emergency gas shut-off.

HESTAN POWER BURNER
(MODEL AGPB24-LP)



Your Hestan Power Burner for use with LP Gas Piped Systems is supplied with a special convertible regulator which MUST NOT be removed. If this regulator needs to be replaced, use only the type specified by Hestan for this appliance.

To connect the gas supply, follow the next steps:

1. Locate the regulator mounted underneath your Power Burner and install a 1/2"NPT elbow and nipple as shown above. The nipple should be at least 3" long.
2. Connect gas supply using a minimum 1/2" diameter flexible (semi-rigid) stainless steel gas hose, no more than 48" in length. Be sure to use proper fittings and a flexible hose as short as possible to make the connection. The hose as well as the connectors must comply with the *Standard for Connectors for Outdoor Gas Appliances and Manufactured Homes, ANSI Z21.75 • CSA 6.27*, and suitable for outdoor installation. Use the appropriate thread sealant on all connections.
3. Proceed to LEAK TESTING section.

GAS AND ELECTRICAL CONNECTIONS *(continued)*



EN

GAS CONNECTION - LIQUID PROPANE (LP) CYLINDER

The Hestan Power Burner can be connected to a standard 20 lb. LP gas cylinder when used with a two-stage regulator/hose assembly and tank retention device available for purchase as kit AGCKLPT from Hestan. This regulator/hose assembly must be used WITHOUT alteration. If the hose or any part of the assembly is damaged, it should not be repaired - it needs to be replaced. Please contact your Hestan dealer for genuine replacement P/N 014309. Please read and understand the instructions supplied with the kit, and perform the leak testing described below before using your appliance.

NOTE: To ensure proper heating performance of this appliance, verify that the supply pressure is adequate to maintain 10.0" WC (2.49 kPa) outlet (manifold) pressure.

LEAK TESTING

GENERAL

Although all gas connections on your Hestan Power Burner are leak tested at the factory prior to shipment, a complete gas tightness check must be performed at the installation site due to possible movement in shipment, or excessive pressure unknowingly being applied to parts of the unit. Periodically check the whole system for leaks, or immediately check if the smell of gas is detected.

BEFORE TESTING

- Do not smoke while leak testing.
- Never leak test with an open flame.
- Make a soap solution of one part liquid detergent and one part water for leak testing purposes.
- Apply the solution to the gas fittings by using a spray bottle or a brush.
- For LP units, always check with a full LP cylinder.

To Test

- Make sure all control valves are in the "OFF" position.
- Apply the soap solution described above to all fittings.
- Turn the gas supply on.
- Check all connections from the supply line, or LP cylinder up to and including the manifold pipe assembly and all connections to each burner.
- Soap bubbles will appear where a leak is present. If a leak is present, immediately turn off gas supply, tighten any leaking fittings, turn the gas supply back on, and recheck.
- If you cannot stop a gas leak, turn off the gas supply and call the dealer where you purchased your Power Burner.
- Do not use the Power Burner until all connections have been checked and do not leak.

IMPORTANT NOTE - ALWAYS CHECK FOR LEAKS AFTER EVERY LP CYLINDER CHANGE.

If a leak is present, or if there is evidence of excessive abrasion or wear, or the hose is cut, it must be replaced before using the Power Burner. The hose and LP regulator are supplied as a complete assembly and must be replaced together. Do not attempt to repair or replace the hose itself. Contact your Hestan dealer for genuine replacement P/N 014309.

Check all gas supply fittings for leaks before each use. It is handy to keep a spray bottle of soapy water near the shut-off valve of the gas supply line. Spray all the fittings. Bubbles indicate leaks.



GAS AND ELECTRICAL CONNECTIONS *(continued)*

ELECTRICAL SUPPLY

Important: This appliance must be electrically grounded in accordance with local codes, or in the absence of local codes with the National Electrical Code, *ANSI/NFPA 70-1990*.

⚠ WARNING

Appliances equipped with a flexible electrical supply cord are provided with a three-prong grounding plug. It is imperative that this plug be connected to a properly grounded three-prong receptacle. If the receptacle is not the proper grounding type, contact an electrician. Do not remove the grounding prong from this plug.

The Power Burner is designed for 120 volt AC power and must be plugged into a Ground Fault Circuit Interrupter (GFCI) protected circuit. Do not connect the Power Burner to the electrical supply until after gas connections have been made and leak checks have been performed.

KEEP ANY ELECTRICAL CORD AND FUEL SUPPLY HOSE AWAY FROM ANY HEATED SURFACES.

1. To protect against electric shock, do not immerse cord or plugs in water or other liquid.
2. Unplug from the outlet when not in use and before cleaning. Allow to cool before putting on or taking off parts.
3. Do not operate any outdoor cooking gas appliance with a damaged cord or plug, or after the appliance malfunctions or has been damaged in any manner. Contact the manufacturer for repair.
4. Do not let the cord hang over the edge of a table or touch hot surfaces.
5. Do not use an outdoor cooking gas appliance for purposes other than intended.
6. Use only a Ground Fault Circuit Interrupter (GFCI) protected circuit with this outdoor cooking gas appliance.
7. Never remove the grounding prong or use with a 2-prong ground adapter.
8. Use only extension cords with a 3-prong grounding plug, rated for the power of the equipment, and approved for outdoor use with a W-A marking.

BURNER ADJUSTMENTS

The center burner of the Hestan Power Burner is similar to many residential gas cooktops. They do not have any adjustments, except for the correct orifices, and adjustment of the low setting on the valve. The octagonal burner also has no adjustment, except the correct orifice and adjustment of the air-shutter.

BURNER FLAME ADJUSTMENT

Each Power Burner is tested and adjusted at the factory prior to shipment. The proper orifice for the gas type, and the air-fuel adjustment was made at this time. However, variations in the local gas supply, the elevation where you live, converting from one gas type to another, and other factors might make it necessary to adjust the burner flames.

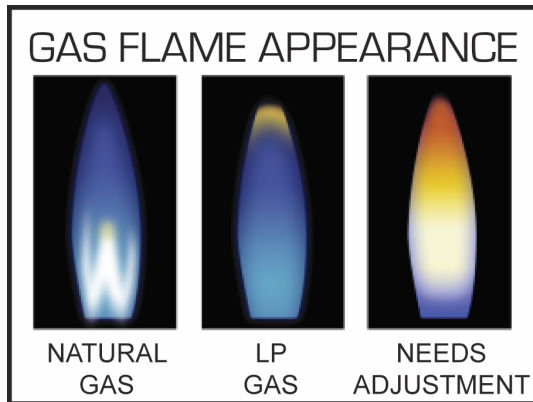
The flames of the burners should be visually checked and compared with the figures on the next page. Flames should be blue and stable with no yellow tips (LP units will have some yellow tipping). There should be no excessive noise or flame lifting. If any of these conditions exist, remove the burner cap and check if dirt, debris, spider webs, etc., are blocking the center venturi hole, or the individual burner ports. The occasional orange flame that quickly goes away is usually a small amount of dust or water condensation which is burning off - this is normal.

The octagonal burner should also be periodically checked for blocked ports, debris, spider webs, etc. Cleaning instructions are described in the CLEANING AND MAINTENANCE section.



VALVE ADJUSTMENTS

The valves on your Hestan Power Burner are preset at the factory for optimum performance. However, the valve for the center burner also features a low (simmer) adjustment if altitude, low-heat performance, converting from one gas to another, or other factors indicate an adjustment is needed.



⚠️ WARNING

NEVER ADJUST THE BURNER SO LOW THAT IT MAY GO OUT DURING USE. DO NOT OPERATE THE POWER BURNER WITH THE LOW HEAT SCREW REMOVED. GAS CAN ESCAPE AND CAUSE A POTENTIALLY HAZARDOUS CONDITION.

ADJUSTMENT STEPS FOR CENTER BURNER VALVE:

1. Remove the drip tray, control knobs, and control panel from the unit.
2. Follow lighting instructions by setting the control knob on “HI” and allow the burner to preheat for 10 minutes.
3. Turn the control knob to “LOW” and wait for the burner temperature to drop and stabilize, about 10 minutes. Attempting adjustment at any setting other than LOW can create a dangerous condition.
4. Insert a small, flat-blade screwdriver into the small screw to the left of the valve stem to begin the adjustment (see Fig. 2). The screw only has 2-3 complete revolutions of adjustment. After this, the screw may continue to turn, but is actually coming out of the valve and could result in a gas leak. DO NOT turn more than 3 revolutions!
5. Turn counter-clockwise very slowly to INCREASE the low flame. The flame will take a few seconds to respond to the adjustments you are making.
6. Adjust the flame so the burner is still fully lit on all ports, without fluttering or going out. Turn off the burner and re-light. Check the new low setting once again to assure proper adjustment is reached. Reattach the control panel, drip tray, and control knobs.

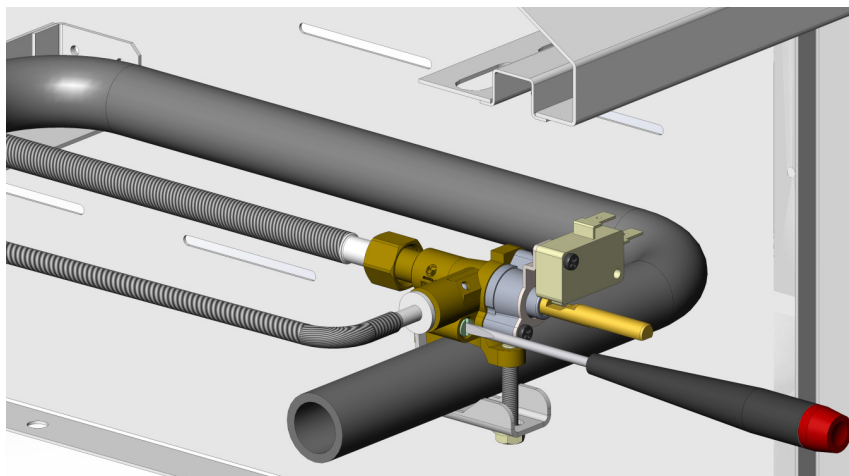


Figure 2



LIGHTING INSTRUCTIONS

Hestan Power Burners feature a spark-ignition system with flame-sensing technology which will relight the flame should it go out.

The Power Burner can also be manually lit should that become necessary.

LIGHTING POWER BURNERS

1. Read Use & Care Manual before lighting. Remove cover during lighting.
2. Stand as far away as possible when lighting.
3. Push and turn selected knob to "HIGH" position. Igniter will spark until flame is established.
4. Once lit, turn knob to desired flame setting. If spark does not occur, check electrical supply.
5. If burner does not light in 5 seconds, turn knob to "OFF" and wait 5 minutes before re-lighting.
6. If burner fails to light, see USE & CARE MANUAL for match lighting instructions.

Note: The flame-sensing technology of the spark igniter will repeatedly spark (clicking sound) until a flame is established. The igniter for the center burner is built in to the base of the burner itself and is well protected (see Fig. 3). If you experience nuisance sparking during normal operation of the burner, see the TROUBLESHOOTING section of this manual.

The igniter for the outer burner is exposed and subject to contamination such as in the event of a boil-over while cooking. To ensure proper ignition, be careful to maintain the correct distance between burner and the igniter. The igniter must be approximately 1/8" (3mm) away from the nearest flame ports on the left side of the burner (see Fig. 4) so that a flame is constantly touching the center electrode of the igniter. If the igniter body is disturbed or the burner itself is out of position, nuisance sparking may occur.

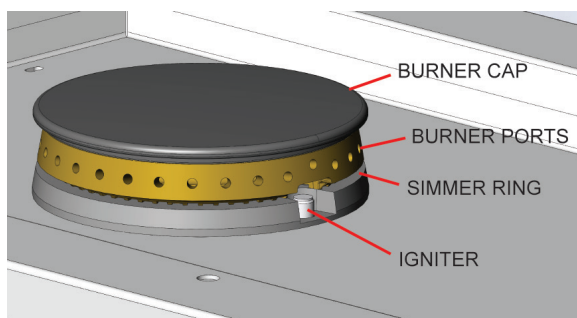


Figure 3

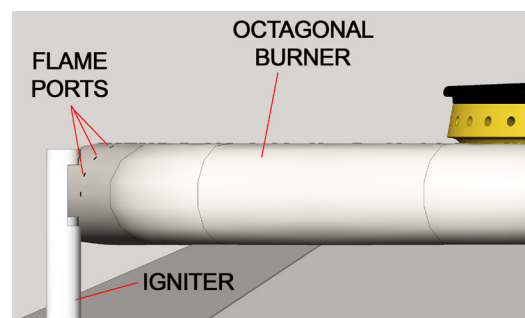


Figure 4

MATCH LIGHTING INSTRUCTIONS

If a burner will not light after several attempts, it can be lit with a match. When attempting to light a burner with a match, be sure you selected the correct control knob for that burner. Keep your face away as far as possible, and pass the lit match through the openings of the cooking grates and position near the burner ports. Push and turn the control knob to "HIGH" until the burner lights. Repeat this procedure for each burner if necessary. If the burner does not light in 5 seconds, turn the control knob to "OFF" and wait 5 minutes before trying again. If the burner will not light after several attempts, see the TROUBLESHOOTING section of this manual.

USING YOUR POWER BURNER



Your Hestan Power Burner is a powerful cooking tool that complements your Hestan Grill. DO NOT leave the Power Burner unattended while cooking.

COOKING WITH POWER BURNERS

The Hestan Power Burner features an inner “cooktop” style burner for use with smaller pots or a wok. It has a range of 1,650 BTU on simmer, up to 20,000 BTU on high. The unique octagonal outer burner is capable of roughly 12,000 BTU on low, up to 50,000 BTU on high. When used in combination, you have a maximum combined output of 70,000 BTU (on NG).

Choose the appropriate pot or pan for the burner. In other words, don't put a small pot over a large burner. For safety reasons, control the flame height so that it doesn't go beyond, or curl up the sides of your pot or pan. This behavior results in poor heating of the contents of the pan, burnt food on the sides of the pan, wasted fuel, etc.

WOK COOKING

Remove the center grate insert to cook with a wok. It is recommended to use a wok 14 - 20 inches (36 - 51 cm) in diameter. Wok cooking usually requires intense heat at the center of the bowl, so you should not use the octagonal burner when cooking with the wok. Doing so will most likely burn your food, and possibly the handles on the wok as well.

CLEANING AND MAINTENANCE



STAINLESS STEEL CARE

Stainless Steel is widely used for catering and residential kitchen equipment because of its strength, its ability to resist corrosion, and its ease of cleaning. Unfortunately, the metal is often taken for granted and it is assumed that no problems will arise during its usage. However, some care is required to ensure a long service life of the Power Burner.

To maintain the original appearance of your Hestan Power Burner, a regular cleaning routine should be carried out using the following guidelines:

1. After use, following the safety precautions detailed earlier in this manual, wipe the appliance with a soft, damp, soapy cloth and rinse with clean, warm water. This should remove most substances encountered during the cooking process.
2. For stubborn stains, including burnt-on grease and food-borne deposits, use a multipurpose, non-abrasive, cream cleanser and apply with a soft damp cloth. Rinse with fresh water, as described above. On no account should steel wool pads be used unless they are made of stainless steel.
3. Harsh abrasives and metallic scouring materials should not be used for cleaning stainless steel as they will leave scratch marks in the surface and damage the appearance of the appliance. Likewise, do not use wire brushes, scrapers or contaminated scouring pads.
4. For those areas with a directional grain, any cleaning with abrasives should be carried out along this grain direction and not across it.
5. After use, always remove wet cleaning aids (such as cloths, pads, containers) from the surface, to avoid formation of water marks or stains.
6. If required, dry the appliance after use with a soft dry cloth or towel.

If the preceding guidelines are adhered to, your Hestan Power Burner should offer excellent life and should live up to its reputation of being “stainless”. Neglect of this practice, however, can lead to deterioration of the surface and, in some extreme cases, corrosion of the steel itself. The two most common types of corrosion that may be encountered, particularly on stainless steel, are rust marks and pitting of the surface.



CLEANING AND MAINTENANCE *(continued)*

RUST-BROWN MARKS

These rust marks are likely the result of small particles of “ordinary-steel” which have become attached to the surface and have subsequently rusted in the damp environment. The most common source of such particles is from steel wool scouring pads, but contamination may also occur from carbon steel utensils and old water supply pipes. These brown marks are only superficial stains, which will not harm the Power Burner. They should be removable using a soft damp cloth and a multi-purpose, non-abrasive, cream cleanser. Occasionally, it may be necessary to resort to a proprietary stainless steel cleanser to return the surface of the Power Burner to its original condition. To avoid re-occurrence of any “rust-staining”, it is essential that the source of the contamination is eliminated. A Hestan Power Burner cover will go a long way toward preventing this kind of contamination.

PITTING

A more severe form of corrosion is pitting of the surface. The sources of this corrosive attack can usually be attributed to certain household products such as bleach, household cleaners containing bleach (sodium hypochlorite), and pool chlorine. If you see pitting of the stainless steel surface, you can attempt to buff it out using stainless steel abrasive pads, but in most cases, pitting of the surface cannot be removed.

FOODSTUFFS

In general, stainless steel is fully resistant to all foodstuffs in common use. Only in isolated cases, such as when concentrated salt and vinegar mixtures are allowed to remain in contact with the steel for a prolonged period, can any surface marking result. Clean the surface as per instructions above.

CARE OF PAINTED SURFACES (IF APPLICABLE)

Hestan Power Burners are available in standard stainless steel, or 11 Hestan signature color finish options. The tough powder-coating on these panels are commonly used on automotive parts, and commercial and residential appliances because of their excellent chip resistance, and resistance to a variety of chemicals. The finish should hold up well outdoors in most conditions. However, like any painted surface, special care must be taken when cleaning this finish.

To clean your powder coated surface:

1. Carefully remove any loose deposits with a wet sponge.
2. Use a soft brush (non abrasive) or cloth, and a mild household detergent solution to remove dust, salt and other deposits. Never use any solvent-based cleaners, stainless steel cleaners, heavy degreasers, oven cleaners, etc. on the painted surfaces. They can permanently damage the paint.
3. Rinse off with clean fresh water

CARE & MAINTENANCE OF POWER BURNER COMPONENTS

POWER BURNER GRATES

Should the grate or center insert require cleaning, the easiest way to do this is immediately after cooking is completed and after turning off the flame. Wear a grill mitt to protect your hand from the heat and steam. Dip a brass bristle grill brush in hot soapy water and scrub the hot grate. Dip the brush frequently in the bowl of water. The steam created as water contacts the hot grate, assists the cleaning process by softening any food particles. If the Power Burner is allowed to cool before cleaning, then cleaning will be more difficult.

DRIP TRAY

The drip tray should be cleaned after every usage of the Power Burner. Leaving a dirty drip tray in place will attract insects and rodents. After allowing the Power Burner to cool completely, remove the drip tray by pulling it out of the Power Burner. After cleaning, reinstall the tray.



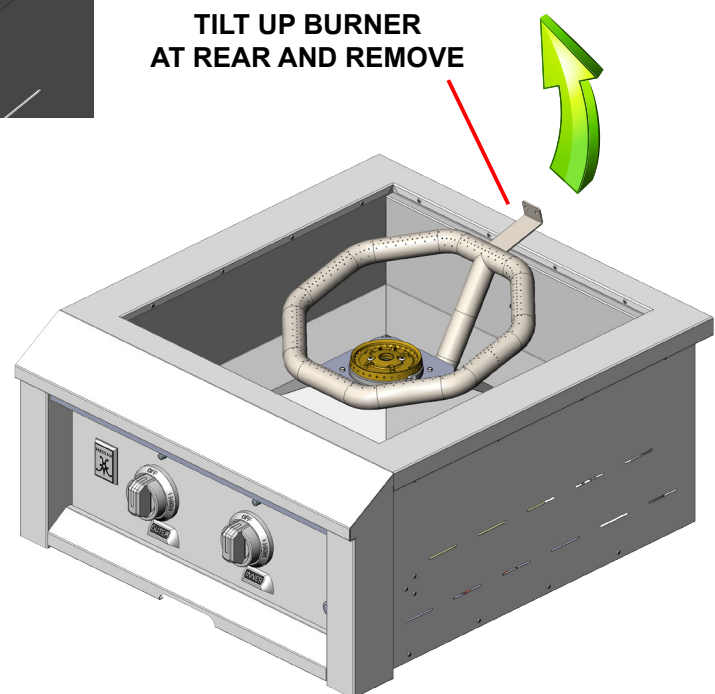
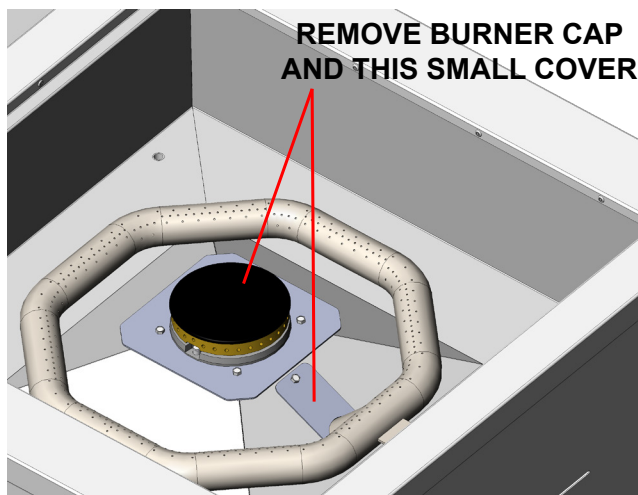
BURNER CLEANING

Cleaning of the burner assembly itself should only be necessary in the event of a large spillover which may have clogged the burner ports, etc. When the center burner is completely cooled down, remove the burner cap and clean up whatever debris, food, grease etc. you find using a warm, soapy water solution. A toothbrush can be used to scrub difficult areas. Wipe with a clean cloth and reassemble. The octagonal burner is made out of a high-grade, 300-series stainless steel which can be cleaned with a brass-bristle brush and warm, soapy water.

The octagonal burner requires a little more effort to clean. If removal is required, first remove the burner cap from the center burner, and then the small cover at the rear of the burner. Also remove the 2 screws securing the burner to the rear wall of the unit. Tilt the burner up and out of the unit. Take care not to damage the spark igniter next to the burner.

Do not clean the burner ports with a toothpick or other item which may break off inside the port. Use a paperclip or needle to do this. Stubborn scale can be removed with a metal scraper. If removed, be sure to rinse everything well and shake out any water and debris trapped inside the burner tube. Do not disturb the air-shutter.

Great care should be used when re-installing the burner. It must be correctly centered and secured on the orifice before any attempt is made to relight the burner. Once re-installed on the orifice and the rear bracket is secured again with the 2 screws, the burner should rest flat and have no side-to-side movement. Take care not to damage the spark igniter next to the burner.





CLEANING AND MAINTENANCE *(continued)*

IGNITERS

The spark igniter on the center burner is partially exposed and can be contaminated in the event you have a boil-over when using the Power Burner. You can gently clean it with a soapy water solution and a toothbrush. Wipe down with a clean cloth. The spark igniter for the octagonal burner is also similarly exposed and subject to contamination. Exercise more caution when attempting to clean this igniter as its position relative to the burner is critical for proper ignition and to reduce the chance of nuisance sparking during operation.

NOTE: Rough handling of the igniter can crack the ceramic body, causing it to fail. Handle with care.

ADDITIONAL CONSIDERATIONS

Always keep the area around the Power Burner free of obstructions and debris. Maintain at least 9" (23 cm) of space around the Power Burner to ensure proper airflow, and keep all ventilation openings clear and free of debris. Clean the appliance after each use, and check for blockages, especially at the burner orifices, after periods of prolonged non-use. To maintain the appearance of your Hestan Power Burner for many years, keep it covered when not in use. Backyard environments are harsh on your appliance's finish. Long exposure to sun, water, yard chemicals and the elements could diminish the appearance of the stainless steel. This is very evident in ocean-front locations.

Our appliance materials have been tested in saline solutions with higher salinity than seawater. They have also been tested by exposure to highly acidic foods. During and after these tests, we found these materials were able to withstand exposure over prolonged periods of time. However, the above-mentioned corrosive substances, along with neglect, can lead to a situation whereby conditions might combine to cause some damage to occur. Therefore, we suggest that you always keep your Power Burner clean, dry and covered when not in use. This is even more important when long term storage is required. Always store the Power Burner clean, dry and covered with your Hestan Power Burner cover. A dirty Power Burner will attract insects and rodents which is highly unsanitary. In addition, rodents are known to chew on the insulation of wiring which will cause permanent damage to the wiring and possibly electrical components.

For those in desert communities, wind-driven sand is highly abrasive and constant exposure will eventually pit and scratch the surface. Another reason to keep your Power Burner covered when not in use.

TROUBLESHOOTING GUIDE



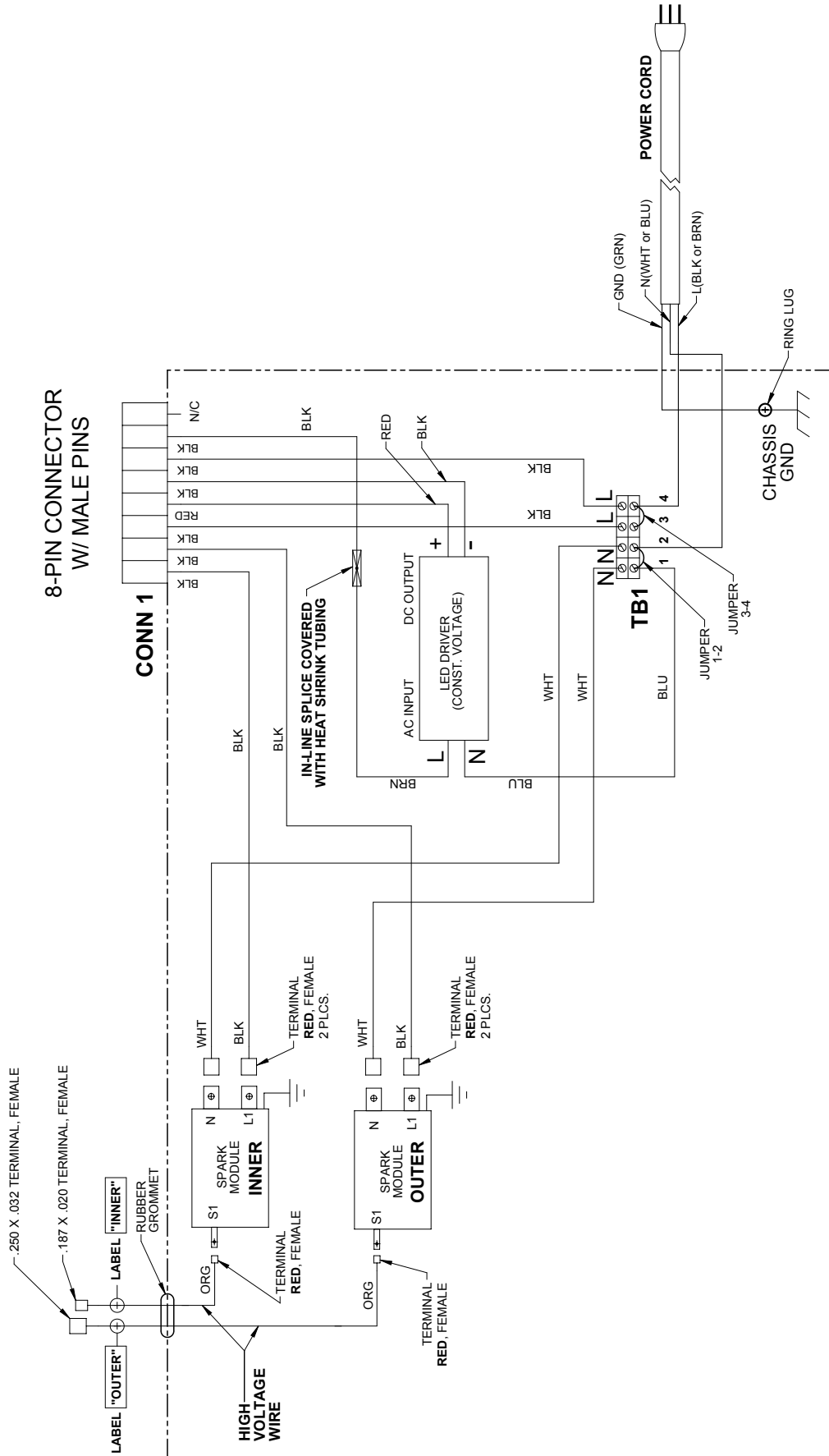
EN

Symptom	Check
Burner will not light	Gas supply not on / shutoff valve closed LP gas cylinder empty Power cord not plugged in, or no power to receptacle, or blown fuse Low gas pressure to unit Burner ports near igniter are obstructed or dirty Burner cap not installed correctly on base Defective or clogged burner valve Incorrect orifice or clogged orifice Igniter defective or cracked (not sparking) Defective regulator or regulator installed improperly
Burner will not stay lit	Burner ports obstructed or dirty Vent plugged on regulator or regulator installed improperly Windy conditions Low gas pressure
Slow to heat up	Low gas pressure or low LP gas cylinder Burner ports are obstructed or dirty Defective or clogged burner valve Incorrect orifice or clogged orifice
Gas Odor	Burner went out or did not light Loose or broken gas line Ruptured pressure regulator Burner cap not installed correctly on base Poor combustion, air-fuel mixture not adjusted properly Obstructed/dirty burner ports
Burner not working well / lazy or yellow flame	Burner ports are obstructed or dirty, check for spider webs Poor combustion, air-fuel mixture not adjusted properly Gas pressure incorrect / incorrect regulator Orifice sized incorrectly for gas type
Control panel LED lights not working	Power cord not plugged in, or no power to receptacle Switch defective
Nuisance clicking of Power Burner	Windy conditions Flame too low Food debris on igniter Outer burner igniter out of position (too far away from burner)

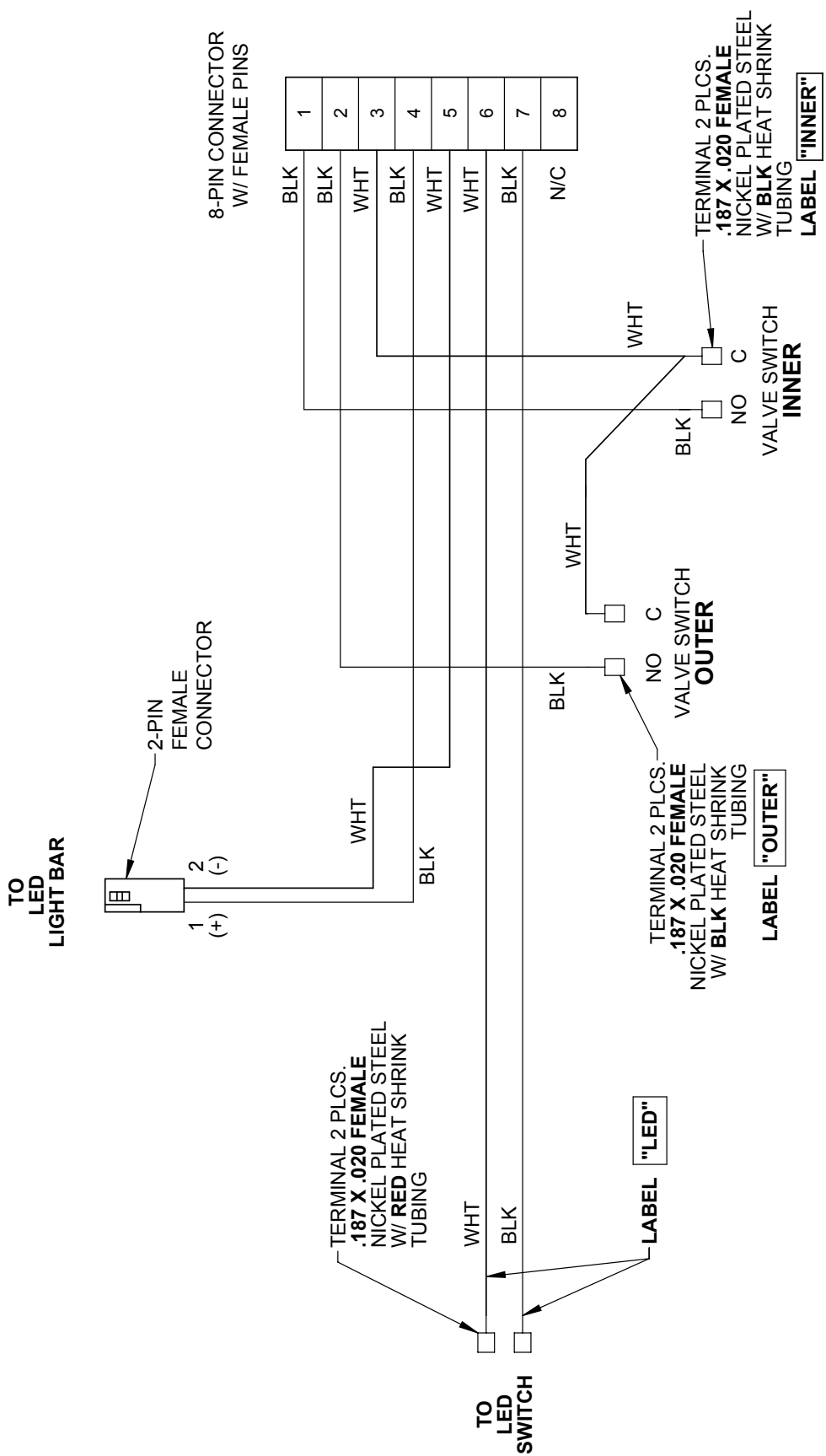


WIRING SCHEMATIC

EN



WIRING SCHEMATIC





PARTS LIST

Please visit the Hestan website to access the parts list for your Hestan Outdoor product:
www.hestanoutdoor.com.

EN



SERVICE

All warranty and non-warranty repairs should be performed by qualified service personnel. To locate an authorized service agent in your area, contact your Hestan dealer, local representative, or the manufacturer. Before you call, please have the model number and serial number information ready. This information is shown on the rating sticker affixed to the underside of the drip tray of your appliance.

Hestan Commercial Products
3375 E. La Palma Avenue
Anaheim, CA 92806
(888) 905-7463



LIMITED WARRANTY

WHAT THIS LIMITED WARRANTY COVERS

Hestan Commercial Corporation (“HCC”) warrants to the original consumer purchaser of a Hestan outdoor gas product (the “Product”) from an HCC authorized dealer that the Product is free from defective materials or workmanship for a period of one (1) year from the date of original retail purchase or closing date for new construction, whichever period is longer (“Limited Warranty Period”). HCC agrees to repair or replace, at HCC’s sole option, any part or component of the Product that fails due to defective materials or workmanship during the Limited Warranty Period. This Limited Warranty is not transferable and does not extend to anyone beyond the original consumer purchaser (“Purchaser”). This Limited Warranty is valid only on Products purchased and received from an HCC authorized dealer in the fifty United States, the District of Columbia and Canada. This Limited Warranty applies only to Products in non-commercial use and does not extend to Products used in commercial applications.

HOW TO OBTAIN WARRANTY SERVICE

If the Product fails during the Limited Warranty Period for reasons covered by this Limited Warranty, the Purchaser must immediately contact the dealer from whom the Product was purchased or HCC at 888.905.7463.

Purchaser is responsible for making the Product reasonably accessible for service or for paying the cost to make the Product reasonably accessible for service. Service is to be provided during normal business hours of the authorized Hestan Commercial Service Provider. To the extent Purchaser requests service outside of the normal business hours of the authorized Hestan Commercial Service Provider, Purchaser will pay the difference between regular rates and overtime or premium rates. Purchaser is required to pay all travel costs for travel beyond 50 miles (one way) from the nearest authorized Hestan Commercial Service Provider.

LIMITED WARRANTY *(continued)*



EXTENSIONS TO ONE YEAR LIMITED WARRANTY PERIOD:

In addition to the One-Year Limited Warranty, the following components have extended warranty coverage as specifically set forth below:

1. The Product's stainless steel grill body, DiamondCut cooking grates and warming rack, stainless Trellis grill burners, Sear burners and rotisserie infrared burner (where applicable) are warranted to be free from defects in material and workmanship under normal non-commercial use and service for the lifetime of the original Purchaser. This excludes surface corrosion, scratches, and discoloration which may occur during normal use and is limited to replacement of the defective part(s), with the Purchaser paying all other costs, including labor, shipping and handling, as applicable.
2. The Product's spit rod, briquette trays, manifolds, gas valves and sealed burner assemblies (where applicable) are warranted to be free from defects in material and workmanship, under normal non-commercial use and service, for a period of five (5) years from the original date of purchase; This is limited to replacement of the defective parts, with the Purchaser paying all other costs, including labor, shipping, and handling, as applicable.

WHAT THIS LIMITED WARRANTY DOES NOT COVER:

This Limited Warranty does not cover and HCC will not be responsible for and will not pay for: damage to or defects in any Product not purchased from an HCC authorized dealer; color variations in color finishes or other cosmetic damage; failure or damage from abuse, misuse, accident, fire, natural disaster, commercial use of the Product, or loss of electrical power or gas supply to the Product; damage from alteration, improper installation, or improper operation of the Product; damage from improper or unauthorized repair or replacement of any part or component of the Product; damage from service by someone other than an authorized agent or representative of the Hestan Commercial Service Network; normal wear and tear; damage from exposure of the Product to a corrosive atmosphere containing chlorine, fluorine, or any other damaging chemicals; damage resulting from the failure to provide normal care and maintenance to the Product; damage HCC was not notified of within the Limited Warranty Period; and incidental and consequential damages caused by any defective material or workmanship.

ARBITRATION:

This Limited Warranty is governed by the Federal Arbitration Act. Any dispute between Purchaser and HCC regarding or related to the Product or to this Limited Warranty shall be resolved by binding arbitration only on an individual basis with Purchaser. Arbitration will be conducted by the American Arbitration Association ("AAA") in accordance with its Consumer Arbitration Rules or by JAMS. The arbitration hearing shall be before one arbitrator appointed by the AAA or JAMS. The arbitrator shall not conduct class arbitration and Purchaser shall not bring any claims against HCC in a representative capacity on behalf of others.

LIMITATION OF LIABILITY:

This Limited Warranty is the final, complete and exclusive agreement between HCC and Purchaser regarding the Product.

THERE ARE NO EXPRESS WARRANTIES OTHER THAN THOSE LISTED AND DESCRIBED ABOVE. NO WARRANTIES WHETHER EXPRESS OR IMPLIED, INCLUDING, BUT NOT LIMITED TO, ANY IMPLIED WARRANTIES OF MERCHANTABILITY OR FITNESS FOR A PARTICULAR PURPOSE SHALL APPLY AFTER THE LIMITED WARRANTY PERIOD STATED ABOVE. NO OTHER EXPRESS WARRANTY OR GUARANTY GIVEN BY ANY PERSON, FIRM OR CORPORATION WITH RESPECT TO THIS PRODUCT SHALL BE BINDING ON HCC. HCC ASSUMES NO RESPONSIBILITY THAT THE PRODUCT WILL BE FIT FOR ANY PARTICULAR PURPOSE, EXCEPT AS OTHERWISE PROVIDED BY APPLICABLE LAW.

(Continued on the next page)



LIMITED WARRANTY *(continued)*

HCC SHALL NOT BE LIABLE FOR LOSS OF REVENUE OR PROFITS, FAILURE TO REALIZE SAVINGS OR OTHER BENEFITS, OR ANY OTHER SPECIAL, INCIDENTAL OR CONSEQUENTIAL DAMAGES CAUSED BY THE USE, MISUSE OR INABILITY TO USE THE PRODUCT, REGARDLESS OF THE LEGAL THEORY ON WHICH THE CLAIM IS BASED, AND EVEN IF HCC HAS BEEN ADVISED OF THE POSSIBILITY OF SUCH DAMAGES. NO RECOVERY OF ANY KIND AGAINST HCC SHALL BE GREATER IN AMOUNT THAN THE PURCHASE PRICE OF THE PRODUCT.

WITHOUT LIMITING THE FOREGOING, YOU ASSUME ALL RISK AND LIABILITY FOR LOSS, DAMAGE OR INJURY TO YOU AND YOUR PROPERTY AND TO OTHERS AND THEIR PROPERTY ARISING OUT OF THE USE, MISUSE OR INABILITY TO USE THE PRODUCT NOT CAUSED DIRECTLY BY THE NEGLIGENCE OF HCC. THIS LIMITED WARRANTY STATES YOUR EXCLUSIVE REMEDY.

No oral or written representation or commitment given by anyone, including but not limited to, an employee, representative or agent of HCC will create a warranty or in any way increase the scope of this express Limited One Year Warranty. If there is any inconsistency between this Limited Warranty and any other agreement or statement included with or relating to the Product, this Limited Warranty shall govern. If any provision of this Limited Warranty is found invalid or unenforceable, it shall be deemed modified to the minimum extent necessary to make it enforceable and the remainder of the Limited Warranty shall remain valid and enforceable according to its terms.

INTERACTION OF LAWS WITH THIS LIMITED WARRANTY:

Some states, provinces or territories may not allow limitations on how long an implied warranty lasts or the exclusion or limitation of incidental or consequential damages, so the above limitations or exclusions may not apply to you. Some states, provinces or territories may provide for additional warranty rights and remedies, and the provisions contained in this Limited Warranty are not intended to limit, modify, take away from, disclaim or exclude any mandatory warranty requirements provided by states, provinces or territories, including certain implied warranties. This warranty gives you specific legal rights, and you may also have other rights which vary depending on location.

Any questions about this Limited Warranty may be directed to
Hestan Commercial Products at (888) 905-7463



**BRÛLEUR SURPUISSANT
PLEIN AIR HESTAN, LE PLUS
PUISSANT, POLYVALENT ET
FIABLE DISPONIBLE.**



 **DANGER**

S'il y a une odeur de gaz :

1. Coupez l'admission de gaz de l'appareil.
2. Éteindre toute flamme nue.
3. Ouvrir le couvercle.
4. Si l'odeur persiste, éloignez-vous de l'appareil et appelez immédiatement le fournisseur de gaz ou le service d'incendie.

 **DANGER**

1. Ne pas entreposer ni utiliser de l'essence ni d'autres vapeurs ou liquides inflammables dans le voisinage de l'appareil, ni de tout autre appareil.
2. Une bouteille de propane qui n'est pas raccordée en vue de son utilisation, ne doit pas être entreposée dans le voisinage de cet appareil ou de tout autre appareil.

 **AVERTISSEMENT**

L'INOBSERVATION DES INFORMATIONS DONNÉES DANS CE MANUEL PEUT ENTRAÎNER UN INCENDIE OU UNE EXPLOSION DE NATURE À CAUSER DES DÉGÂTS MATÉRIELS ET DES BLESSURES GRAVES, VOIRE MORTELLES.

 **AVERTISSEMENT**

Ne pas essayer d'allumer cet appareil sans lire d'abord la section INSTRUCTIONS D'ALLUMAGE de ce manuel.

 **AVERTISSEMENT**

À utiliser à l'extérieur UNIQUEMENT. Cet appareil de cuisson n'est pas destiné à être installé dans ou sur les véhicules de loisirs ni les bateaux.

 **AVERTISSEMENT**

Gaz inflammable - débrancher toute alimentation en propane ou gaz naturel de cet appareil avant de procéder à l'entretien de celui-ci.

 **AVERTISSEMENT**

Pièces et composants électriques – débrancher les alimentations électriques de toute nature avant de procéder à une opération d'entretien.

LIRE CE MANUEL ATTENTIVEMENT ET ENTIÈREMENT AVANT D'UTILISER L'APPAREIL POUR LIMITER LES RISQUES D'INCENDIE, DE BRÛLURES OU D'AUTRES BLESSURES. CONSERVER CE MANUEL À TITRE DE RÉFÉRENCE.



Un message de Hestan

FR

La cuisine en plein air est le rêve du perfectionniste et, grâce à ce nouvel investissement, vous vous en êtes maintenant rapproché. Nous vous souhaitons une sincère bienvenue dans la famille Hestan. Nous avons conçu et fabriqué nos produits pour garantir que vos invités vous complimenteront à propos du plat que vous leur servirez mais, au fond d'eux-mêmes, nos clients savent qu'il aurait pu être un peu plus tendre, un peu plus juteux, qu'il aurait suffi d'une pincée de sel supplémentaire ou de quelques secondes de moins sur la flamme. Nous avons pris le temps de connaître nos clients et nous sommes enthousiasmés par l'idée de faire ce voyage avec vous. C'est de cette même passion de perfectionnisme qu'est né le gril de plein air Hestan. Nos ingénieurs ont expérimenté, innové, ajusté et modifié, jusqu'à ce qu'ils aient créé les produits de plein air les plus puissants, polyvalents et fiables disponibles sur le marché.

Nous nous enorgueillons de nos innovations incessantes, de notre ingénierie de pointe et de nos modèles conçus spécialement, mais aussi de notre connaissance approfondie de la clientèle que nous visons, ainsi que des intérêts et des besoins des utilisateurs finals que nous servons ou convoitons. Pour de nombreux clients, la cuisine de plein air représente beaucoup plus que la préparation d'aliments. Il s'agit d'une activité qui englobe, entre autres, des aspects culinaires, de loisirs et sociaux.

Nous sommes reconnaissants et fiers du fait que vous ayez choisi Hestan, et nous espérons que vous nous resterez fidèle. Nous prenons votre décision d'avoir choisi Hestan très au sérieux et vous promettons de vous offrir ce qui se fait de mieux.

Bienvenue chez Hestan

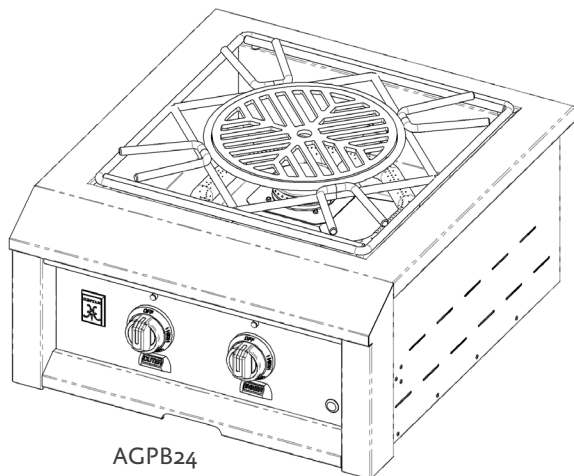


4	NUMÉRO DE MODÈLE
4	PLAQUE SIGNALÉTIQUE
4	PRÉCAUTIONS
6	RESPECT DE LA RÉGLEMENTATION ET DES CODES EN VIGUEUR
7	IMPLANTATION ET ASSEMBLAGE
7	INSTALLATION
10	BRANCHEMENTS POUR LE GAZ ET L'ÉLECTRICITÉ
17	INSTRUCTIONS D'ALLUMAGE
18	UTILISATION DU BRÛLEUR SURPUISSANT
18	NETTOYAGE ET ENTRETIEN
22	DÉPANNAGE
23	SCHÉMAS DE CÂBLAGE
25	LISTE DES PIÈCES
25	SERVICE
25	GARANTIE



NUMÉRO DE MODÈLE

FR



AGPB24


MODÈLES ENCASTRÉS

Numéro de Modèle	Description
AGPB24-NG / -LP	BRÛLEUR SURPUISSANT INTEGRE 24 po



PLAQUE SIGNALÉTIQUE

La plaque signalétique donne des informations importantes sur cet appareil Hestan telles que les numéros de série et de modèle, le type de gaz et la pression d'admission, la cote BTU pour chaque type de brûleur et les dégagements minima d'installation.

HESTAN COMMERCIAL CORP. ANAHEIM, CA. - USA				MODEL / MODELE		PATENTED: http://outdoor.hestan.com/patents.pdf			
VOLTS	120	Hz	60	PHASE	1	AMPS	<1		
GAS TYPE (TYPE DE GAZ)				BTU/HOUR/ OUTER BURNER (BRÛLEUR EXTÉRIEUR)					
OUTLET PRESSURE (PRESS. SORTIE)				BTU/HOUR/ INNER BURNER (BRÛLEUR INTÉRIEUR)					
INCH W.C. kPa				CONFORMS TO ANSI Z21.58-2015 CSA 1.6-2015					
MINIMUM CLEARANCE FROM SIDES AND BACK OF UNIT DÉGAGEMENT MINIMAL ENTRE LES PAROIS LATÉRALES ET L'ARRIÈRE DE L'APPAREIL				OUTDOOR COOKING GAS APPLIANCES CSA 1.6-2015				 CONFORME À LA NORME ANSI Z21.58-2015 APPAREIL DE CUISSON AU GAZ POUR USAGE EN PLEIN AIR	
BACK / ARRIÈRE	9"	COMBUSTIBLE	0"	FOR OUTDOOR USE ONLY. IF STORED INDOORS, DETACH AND LEAVE GAS CYLINDER OUTDOORS. DO NOT STORE A SPARE LP-GAS CYLINDER UNDER OR NEAR THIS APPLIANCE. NEVER FILL THE GAS CYLINDER BEYOND 80% FULL. IF THE INFORMATION ABOVE IS NOT FOLLOWED EXACTLY, A FIRE CAUSING DEATH OR SERIOUS INJURY MAY OCCUR. DO NOT USE THIS APPLIANCE UNDER OVERHEAD COMBUSTIBLE SURFACES. ONLY FOR INSTALLATION IN A BUILT-IN ENCLOSURE CONSTRUCTED OF NON-COMBUSTIBLE MATERIALS. CAUTION: USE ONLY THE GAS PRESSURE REGULATOR SUPPLIED WITH THIS APPLIANCE. THIS REGULATOR IS SET FOR AN OUTLET PRESSURE AS SPECIFIED ABOVE.				POUR UTILISATION À L'EXTÉRIEUR SEULEMENT SI L'APPAREIL EST ENTREPOSÉ À L'INTÉRIEUR, ENLEVER LES BOUTEILLES ET LES LAISSER À L'EXTÉRIEUR. NE PAS ENTREPOSER DE BOUTEILLE DE GPL SOUS L'APPAREIL OU À PROXIMITÉ DE CELUI-CI ET DE TOUTE SOURCE DE CHALEUR. NE JAMAIS REMPLIR UNE BOUTEILLE DE GPL À PLUS DE 80% DE SA CAPACITÉ. UN INCENDIE CAUSANT LA MORT OU DES BLESSURES GRAVES PEUT SE PRODUIRE. NE PAS UTILISER CET APPAREIL SOUS DES SURFACES COMBUSTIBLES EN SURPLOMB. CONVIENT UNIQUEMENT POUR INSTALLATION DANS UNE ENCEINTE ENCASTRÉE FAITE DE MÉRIERIEUX NON-COMBUSTIBLES. MISE EN GARDE: N'UTILISER QUE LE DÉTENDEUR FOURNI AVEC CET APPAREIL. CE RÉGULATEUR EST RÉGLÉ POUR UNE PRESSION DE SORTIE SPÉCIFIÉE CI-DESSUS.	
SIDES / CÔTÉS	9"	NON-COMBUSTIBLE	0"					PIN 01803Z REV.A	

La plaque signalétique des brûleur Surpuissant pour usage extérieur Hestan se trouve sur le dessous du bac de récupération.



PRÉCAUTIONS À PRENDRE AVANT DE SE SERVIR DU BRÛLEUR SURPUISSANT

S'il est bien entretenu, le brûleur à feu vif Hestan offrira un fonctionnement sûr et fiable pendant de nombreuses années. Il convient toutefois de faire très attention car ce brûleur produit une chaleur intense qui peut entraîner des blessures graves, voire même mortelles, si ces consignes ne sont pas respectées à la lettre. Lors de l'utilisation de cet appareil, les règles de sécurité de base doivent être respectées comme indiqué ci-après.

1. NE JAMAIS LAISSER LE BRÛLEUR SURPUISSANT SANS SURVEILLANCE EN COURS DE CUISSON.
2. Ne pas laisser les enfants seuls ou sans surveillance à un endroit où le Brûleur Surpuissant est en service. Ne jamais les laisser s'asseoir, se tenir debout ni jouer sur le Brûleur Surpuissant ou près de celui-ci. Ne pas ranger d'articles intéressants les enfants à côté ni en dessous du Brûleur Surpuissant. Ne jamais laisser des enfants se glisser dessous.
3. Ne jamais se servir du Brûleur Surpuissant sous l'influence de l'alcool ou d'une drogue.
4. Ne jamais utiliser le Brûleur Surpuissant par temps venteux. S'il est implanté à un endroit constamment venteux, en bord de mer, sur un sommet, etc., un coupe-vent sera nécessaire. Toujours respecter les dégagements spécifiés dans la section INSTALLATION du présent manuel.

PRÉCAUTIONS À PRENDRE AVANT D'UTILISER CE BRÛLEUR SURPUISSANT (suite)



5. Le Brûleur Surpuissant ne doit être utilisé qu'à l'extérieur et non dans des bâtiments, garages, remises, passages couverts ni dans tout endroit fermé. Ne pas utiliser le Brûleur Surpuissant sous une construction combustible non protégée. Ne l'utiliser que dans des endroits bien aérés. Voir la section INSTALLATION du présent manuel.
6. Ne pas se servir du Brûleur Surpuissant si un contrôle d'étanchéité n'a pas été effectué sur tous les branchements de gaz. Voir la section BRANCHEMENTS DE GAZ du présent manuel.
7. Si le Brûleur Surpuissant est installé par un installateur ou technicien spécialisé, ne pas oublier de lui demander d'indiquer l'emplacement du robinet d'arrêt de gaz. Toutes les conduites de gaz doivent être pourvues d'un robinet d'arrêt aisément accessible. En cas d'odeur de gaz, effectuer immédiatement un contrôle d'étanchéité. N'effectuer ce contrôle qu'avec de l'eau savonneuse. Ne jamais rechercher les fuites de gaz avec une flamme nue. Voir la section BRANCHEMENTS DE GAZ du présent manuel.
8. Vérifier soigneusement le détendeur, les tuyaux, les orifices de combustion, et la section venturi / clapet. Toujours couper le gaz à la source (bouteille ou conduite d'alimentation) avant d'examiner ces pièces.
9. Lorsqu'on allume un brûleur, toujours faire très attention à ce que l'on fait. Veiller à tourner le bouton correspondant au brûleur que l'on a l'intention d'utiliser. Si un brûleur ne s'allume pas ou s'éteint en cours de fonctionnement, tourner toutes les manettes de gaz en position d'arrêt et attendre cinq (5) minutes avant d'essayer de le rallumer. Voir la section INSTRUCTIONS D'ALLUMAGE de ce manuel.
10. Maintenir tout cordon d'alimentation électrique à l'écart des parties chauffées du Brûleur Surpuissant. Le cordon est pourvu d'une fiche de mise à la terre à 3 broches qui ne doit pas être retirée ni modifiée. Ne pas utiliser cet appareil avec un adaptateur à 2 broches sans mise à la terre. Le cordon doit être branché dans une prise protégée par disjoncteur de fuite à la terre. Voir la section INSTALLATION de ce manuel.
11. Les araignées et les insectes aiment nicher dans les brûleurs, venturis, vannes et orifices calibrés d'un Brûleur Surpuissant, gênant la circulation du gaz dans le brûleur. Cette situation très dangereuse peut entraîner un incendie derrière le panneau de commande, endommageant le Brûleur Surpuissant et faisant courir des risques de blessures. Si le Brûleur Surpuissant a été inutilisé pendant longtemps, examiner et nettoyer les brûleurs, venturis, robinets et orifices calibrés. Il est recommandé d'examiner le Brûleur Surpuissant au moins deux fois par an. Pour plus de détails, voir la section RÉGLAGE DE BRÛLEUR de ce manuel.
12. Maintenir les alentours du Brûleur Surpuissant libres de matériaux combustibles, déchets ou liquides et vapeurs combustibles tels que l'essence ou un liquide d'allumage pour charbon de bois. Ne pas gêner la circulation des gaz de combustion, ni la ventilation (sur le devant).
13. Ne jamais essayer de déplacer la grille ou la plaque centrale du Brûleur Surpuissant quand elle est brûlante. Lorsqu'il est en marche, certaines parties du Brûleur Surpuissant sont suffisamment chaudes pour causer des brûlures graves.
14. Toujours avoir un extincteur du type « ABC » à portée de la main – ne jamais essayer d'éteindre un feu de graisse avec de l'eau ou d'autres liquides.
15. Éviter de porter des vêtements amples ou des manches longues pendant la cuisson avec le Brûleur Surpuissant. Ils pourraient prendre feu. Par souci de sécurité, porter des vêtements appropriés quand on cuit. Certains tissus synthétiques sont hautement inflammables. Ne pas en porter quand on cuit.
16. Ne jamais laisser des manicles, des housses ni d'autres matières inflammables toucher une grille de cuisson, un brûleur ou une surface très chaude ni être à proximité de ces pièces tant que celles-ci n'ont pas refroidi suffisamment. Les tissus peuvent prendre feu, entraînant ainsi des blessures. N'utiliser que des manicles sèches. L'utilisation de manicles mouillées ou humides sur des surfaces très chaudes peut causer des brûlures par la vapeur. Ne pas utiliser une serviette ni un chiffon épais à la place de manicles. Ne pas laisser des manicles toucher les parties très chaudes des grilles de cuisson.
17. Ne jamais toucher la grille de cuisson ni les surfaces métalliques à proximité immédiate de celle-ci avec les mains nues lorsqu'on cuisine à l'aide du Brûleur Surpuissant car elles deviennent très chaudes et pourraient causer des brûlures. N'utiliser que les poignées et manettes prévues pour l'utilisation du Brûleur Surpuissant.
18. Protéger ses mains à l'aide d'un gant isolé lorsqu'on utilise le Brûleur Surpuissant. Ne jamais approcher le visage et toujours ouvrir les couvercles de casserole et de poêle lentement pour laisser la chaleur et la vapeur s'échapper avant de les ouvrir en grand. Ne jamais se pencher au-dessus d'un Brûleur Surpuissant chaud ouvert.
19. Le couvercle métallique du Brûleur Surpuissant doit être retiré lors de l'allumage de celui-ci. Le fait de laisser le couvercle en place pendant l'allumage peut entraîner une explosion et des blessures graves, voire mortelles. Ne jamais se pencher au-dessus d'un Brûleur Surpuissant ni le regarder directement lorsqu'on essaye de l'allumer. Voir la section INSTRUCTIONS D'ALLUMAGE de ce manuel.



PRÉCAUTIONS À PRENDRE AVANT D'UTILISER CE BRÛLEUR SURPUISSANT (suite)

FR

20. Ne pas faire chauffer des boîtes de conserves fermées car la montée en pression provoquera une explosion de la boîte. Ne pas recouvrir de papier d'aluminium les grilles de cuisson ni le bac de récupération. Cela modifiera la circulation d'air vers le gril ou maintiendra prisonnière une chaleur excessive dans la zone des commandes, ce qui peut faire fondre les boutons de réglage, les fils ou les allumeurs et accroître le risque de blessures. De tels dégâts sont explicitement exclus de notre garantie.
21. Ne pas recouvrir de papier d'aluminium la cuvette du brûleur ni le bac de récupération. Cela modifiera la circulation d'air vers le brûleur ou maintiendra prisonnière une chaleur excessive dans la zone des commandes, ce qui peut faire fondre les boutons de réglage, les fils ou les allumeurs et accroître le risque de blessures. De tels dégâts sont explicitement exclus de notre garantie.
22. Ne jamais utiliser le Brûleur Surpuissant sans que le bac de récupération soit en place et poussée à fond vers l'arrière. En l'absence du bac de récupération, de la graisse ou de l'huile très chaude ayant débordé peut s'échapper vers le bas, créant ainsi un risque d'incendie ou d'explosion.
23. La graisse est extrêmement inflammable. Laisser la graisse chaude refroidir avant d'essayer de la manipuler ou de la jeter. Éviter de laisser trop de graisse se déposer en nettoyant souvent le bac de récupération. Ne jamais nettoyer le Brûleur Surpuissant lorsqu'il est en marche ou très chaud après une utilisation récente.
24. Le fait de cuire des viandes très grasses ou abondamment huilées causera des flambées soudaines ou des feux de friture. Les dégâts causés par eux ou par le Brûleur Surpuissant laissé sans surveillance ne sont pas couverts au titre des modalités de notre garantie.
25. Seuls certains types d'ustensiles en verre, vitrocéramique à l'épreuve de la chaleur, faïence ou émaillés sont adaptés à l'utilisation avec un Brûleur Surpuissant. Ces types de matériaux risquent toutefois de se briser en cas de variations brusques de température. Ne les utiliser qu'à des températures basses à moyennes et conformément aux directives de leurs fabricants.
26. Ne pas réparer ni remplacer une pièce quelconque du Brûleur Surpuissant sauf si le présent manuel le recommande expressément. Tout autre entretien, qu'il soit dans le cadre de la garantie ou non, doit être confié à un technicien qualifié et effectué par lui.
27. Pour un allumage approprié et un bon rendement des brûleurs, maintenir les orifices de combustion propres. Il est nécessaire de les nettoyer régulièrement pour optimiser le rendement. Les brûleurs ne fonctionnent que dans une seule position et doivent être montés correctement pour fonctionner en toute sécurité. Voir la section RÉGLAGE DE BRÛLEUR de ce manuel.
28. Nettoyer le Brûleur Surpuissant avec prudence. Éviter les brûlures par la vapeur – ne pas utiliser une éponge ou un chiffon humide pour nettoyer le brûleur à feu vide alors qu'il est chaud. Certains nettoyants dégagent des vapeurs nocives ou peuvent s'enflammer quand on les applique sur une surface très chaude. Veiller à ce que toutes les commandes du Brûleur Surpuissant soient en position d'arrêt et que l'appareil ait refroidi avant d'utiliser tout type de nettoyant en aérosol sur l'appareil ou à côté de celui-ci. Le produit chimique qui produit la pulvérisation pourrait, en présence de chaleur, s'enflammer ou causer une corrosion des pièces métalliques. Nettoyer le Brûleur Surpuissant et exécuter les fonctions générales d'entretien de celui-ci deux fois par an. Rechercher les signes de corrosion, de fissures ou d'activités des insectes. Voir la section NETTOYAGE ET ENTRETIEN de ce manuel.



RESPECT DE LA RÉGLEMENTATION ET DES CODES EN VIGUEUR

L'installation de cet appareil de cuisson doit être effectuée conformément aux codes locaux. En l'absence de tels codes, installer cet appareil conformément au National Fuel Gas Code ANSI Z223.1/NFPA 54, au code Natural Gas and Propane Installation CSA B149.1 ou au Propane Storage and Handling Code B149.2.

Tous les composants électriques doivent être mis à la terre conformément aux codes locaux ou, en l'absence de tels codes, au National Electrical Code ANSI/NFPA 70 ou au Code national de l'électricité du Canada CSA C22.1.

COMMUNAUTÉ DE MASSACHUSETTS

Le Commonwealth du Massachusetts exige que toutes les installations au gaz soient effectuées par un plombier ou monteur d'installations au gaz titulaire d'une autorisation appropriée délivrée par le Massachusetts. Toutes les installations à demeure fonctionnant au propane ou au gaz naturel exigent la pose d'un robinet manuel de gaz à poignée en T sur la conduite d'alimentation en gaz de l'appareil. Cela ne s'applique pas aux installations portatives au propane utilisant une bouteille de 20 livres (9,1 kg).

RESPECT DE LA RÉGLEMENTATION ET DES CODES EN VIGUEUR *(suite)*

PROPOSITION 65 DE CALIFORNIE – MISE EN GARDE

La combustion de gaz pour cuisson produit des sous-produits toxiques qui figurent sur la liste de substances reconnues en Californie comme causant le cancer ou des malformations congénitales. La législation Californienne exige des entreprises concernées qu'elles avertissent leurs clients d'une exposition potentielle à de telles substances. Afin de minimiser une telle exposition, toujours utiliser cet appareil conformément au manuel d'utilisation et d'entretien, en faisant en sorte d'assurer une bonne aération quand on cuisine au gaz. Cet avertissement est émis en vertu de la Section 25249.6 du California Health and Safety Code.

FR

IMPLANTATION ET MONTAGE DU BRÛLEUR SURPUISSANT

Lorsqu'on détermine un emplacement pour le Brûleur Surpuissant, tenir compte de facteurs tels que l'exposition au vent, à la pluie, aux arroseurs, la proximité des lieux de passage, en maintenant toute conduite d'alimentation en gaz aussi courte que possible.

N'implanter le Brûleur Surpuissant que dans un endroit bien aéré. Ne jamais implanter le Brûleur Surpuissant dans un bâtiment, un garage, un passage couvert, une remise ni dans tout endroit fermé sans un système d'aération agréé. Ne jamais implanter le Brûleur Surpuissant au-dessus, en dessous ni à côté d'une construction combustible non protégée.

L'utilisation du Brûleur Surpuissant dans des endroits venteux peut gêner la flamme, en particulier dans les positions de feu doux ou de mijotage. Cela pourrait entraîner un déclenchement intempestif des allumeurs. Le transférer dans un endroit moins venteux. Si le Brûleur Surpuissant est monté dans une enceinte (île), il pourrait s'avérer nécessaire de confectionner un coupe-vent pour éviter ce problème à l'avenir.

Lors de l'installation d'un Brûleur Surpuissant ou d'un autre appareil à gaz dans une enceinte (île), celle-ci doit être construite avec des ouïes d'aération pour éviter une accumulation de gaz en cas de fuite. Pour plus de détails, voir la section INSTALLATION du présent manuel. Maintenir la zone en dessous du Brûleur Surpuissant libre de débris.

S'assurer que tous les matériaux de conditionnement, sangles, etc. ont été enlevés du Brûleur Surpuissant. Enlever tout fil d'attache des brûleurs.

S'assurer que le chapeau de brûleur est monté correctement sur l'anneau central du brûleur. Ne pas faire fonctionner le Brûleur Surpuissant si son chapeau n'est pas en place (voir Fig. 1).

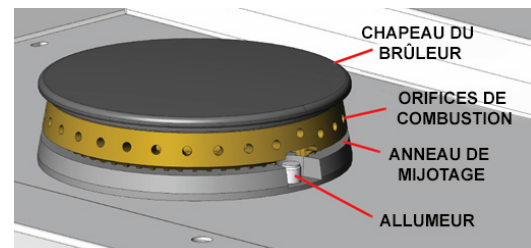


Figure 1

INSTALLATION

DÉGAGEMENTS :

PAR RAPPORT À UNE CONSTRUCTION NON-COMBUSTIBLE

Un dégagement d'au moins 4 po (10 cm) des côtés et de l'arrière du Brûleur Surpuissant par rapport à une construction non-combustible est exigé. Cela est particulièrement important quand on cuisine avec des casseroles de grand diamètre.

PAR RAPPORT À UNE CONSTRUCTION COMBUSTIBLE

Cet appareil doit être installé dans une ENCEINTE NON-COMBUSTIBLE (ÎLE) UNIQUEMENT. NE PAS l'installer sur ni au-dessus ou à côté d'une construction combustible non protégée. Ne pas utiliser cet appareil sous des surfaces en surplomb combustibles non protégées. Le plan de travail et tout ce qui se trouve en dessous doivent être en matériaux non-combustibles. Un dégagement d'au moins 9 po (23 cm) des côtés et de l'arrière de l'appareil par rapport au matériau combustible vertical doit être prévu.



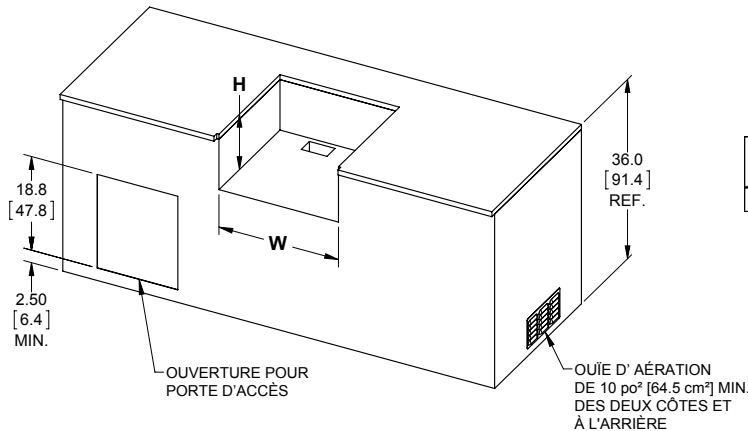
INSTALLATION (suite)

FR

AVERTISSEMENT

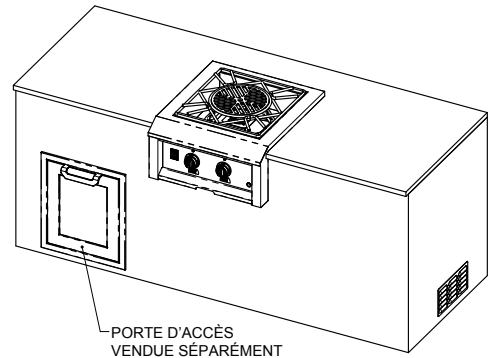
Si par exemple on dispose d'une île à surface en stuc ou carrelée surmontant une construction à ossature de bois, le bois est considéré comme combustible même si le Brûleur Surpuissant touche la surface en stuc ou carrelée, qui est non-combustible. Dans des cas extrêmes, le bois pourrait devenir suffisamment chaud pour brûler. TOUTE la construction doit par conséquent être non-combustible. Les murs adjacents au-dessus de la surface de cuisson doivent également être non-combustibles. Si ces surfaces adjacentes sont en matériau combustible, elles doivent être à l'extérieur de cette zone de 9 po (23 cm). Le Brûleur Surpuissant est très puissant et, s'il est installé avec une grande casserole dessus dans un endroit restreint, le risque d'échauffement des surfaces adjacentes est élevé et pourrait entraîner des dégâts matériels.

DIMENSIONS EN CAS D'ENCASTREMENT :



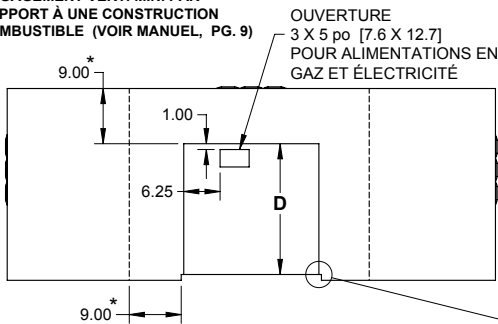
CONFIGURATION POUR ENCEINTE NON COMBUSTIBLE (ÎLE)

BRÛLEUR DE PUISSANCE	W		D		H	
	(po)	(cm)	(po)	(cm)	(po)	(cm)
AGPB24	23.25	59.1	22.50	57.2	11.13	28.3

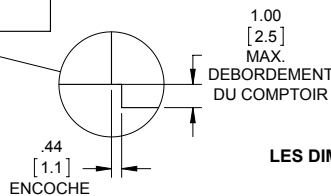


INSTALLATION EN ÎLE TYPIQUE

* DÉGAGEMENT VERT. MIN. PAR RAPPORT À UNE CONSTRUCTION COMBUSTIBLE (VOIR MANUEL, PG. 9)



VUE DE DESSUS



LES DIMENSIONS ENTRE CROCHETS [] SONT EN CM.

OUÏES D'AÉRATION

Au moins trois ouïes d'aération de 10 po² (65 cm²) doivent être prévues sur les côtés gauche et droit de l'enceinte (île), ainsi qu'à l'arrière. Ces ouïes sont nécessaires pour dissiper les vapeurs de gaz en toute sécurité en cas de fuite dans l'enceinte.

INSTALLATION ENCASTRÉE

Le Brûleur Surpuissant Hestan est fourni prêt à installer dans une enceinte (île). Il est recommandé de construire l'enceinte 6 à 9 po (15 à 23 cm) PLUS BASSE que le plan de travail adjacent. Cela permet d'obtenir une hauteur de travail plus sûre quand on cuit avec un wok ou de très grandes marmites, comme quand on fait frire une dinde ou bouillir une grande quantité de poissons et fruits de mer. Pour plus de renseignements, passer à la section BRANCHEMENTS DE GAZ.

**Hestan permet
un contrôle
consistant.**





BRANCHEMENTS POUR LE GAZ ET L'ÉLECTRICITÉ

ALIMENTATION EN GAZ

Consulter les autorités locales responsables ou le fournisseur lors de la phase de planification de l'installation afin de vérifier qu'un approvisionnement suffisant en gaz (gaz naturel ou GPL) est disponible. S'il s'agit d'une nouvelle installation, demander aux autorités locales responsables ou au fournisseur de vérifier la capacité du compteur et la tuyauterie pour s'assurer que l'appareil reçoit le volume et la pression de gaz dont il a besoin pour fonctionner.

Faire effectuer les raccordements de gaz par un plombier qualifié ou un installateur professionnel d'appareils de cuisson en plein air.

Tous les appareils fixes (non mobiles) doivent être équipés d'un robinet d'arrêt amont de gaz accessible permettant de les isoler pour arrêt d'urgence et entretien.

S'assurer que la tuyauterie et les raccordements nouveaux ont été posés dans des conditions de propreté et purgés de façon à empêcher de la pâte à tuyau, des débris, etc. de boucher les détendeurs, robinets, orifices calibrés ou brûleurs. Utiliser une pâte à tuyau ou pâte d'étanchéité pour raccords filetés homologués pour le gaz naturel et le GPL.

NE JAMAIS RACCORDER LE BRÛLEUR SURPUISSANT À UNE ALIMENTATION EN GAZ SANS DÉTENDEUR. Avant de procéder à l'installation, s'assurer que l'appareil est adapté au gaz naturel ou au GPL. Le raccordement à une alimentation en gaz incorrect entraînera un rendement médiocre et un risque accru de dégâts matériels ou de blessures. Le type et la consommation (BTU/h) de gaz de chaque type de brûleur sont indiqués sur la plaque signalétique fixée au dessous du bac de récupération.

L'installation de cet appareil de cuisson doit être effectuée conformément aux codes locaux. En l'absence de tels codes, installer cet appareil conformément au National Fuel Gas Code ANSI Z223.1/NFPA 54, au code Natural Gas and Propane Installation CSA B149 ou au Propane Storage and Handling Code B149.2.

REMARQUE : Voir la plaque signalétique pour la pression d'admission du type de gaz de l'appareil.

KITS DE CONVERSION

Des kits de conversion sont disponibles auprès du concessionnaire Hestan en cas de besoin de conversion d'un appareil du GPL au gaz naturel, ou vice versa.

KITS POUR HAUTES ALTITUDES

Si on vit à haute altitude, c.-à-d. au moins 2000 pi (610 m) au-dessus du niveau de la mer, le Brûleur Surpuissant exigera des orifices calibrés différents pour assurer une combustion et un rendement corrects. Des kits pour hautes altitudes sont disponibles par l'intermédiaire du service clientèle de Hestan. Avoir les numéros de modèle et de série à portée de la main pour téléphoner.

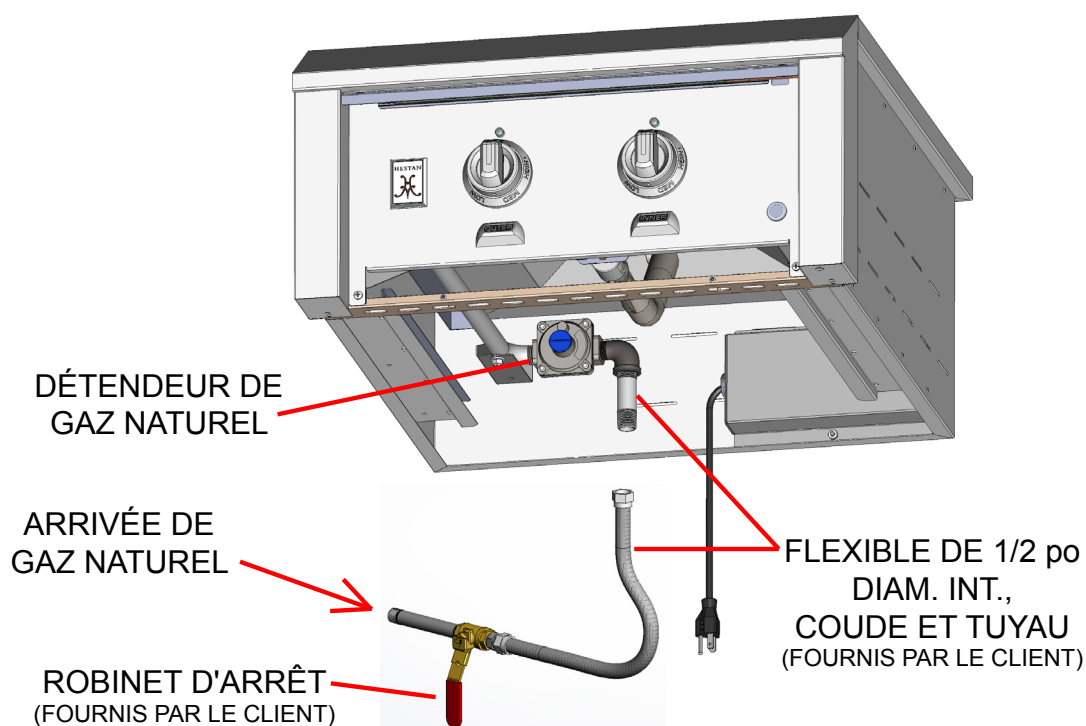


RACCORDEMENT DE GAZ – GAZ NATUREL

REMARQUE : Pour faire en sorte que cet appareil chauffe bien, vérifier que la pression dans la conduite d'alimentation en gaz est suffisante. Utiliser uniquement le détendeur de pression de gaz fourni avec cet appareil. Ce détendeur est réglé pour une pression d'alimentation de 7 po à la colonne d'eau (1,74 kPa) pour maintenir une pression d'admission de 4 po à la colonne d'eau (1,00 kPa). Utiliser un flexible d'au moins 1/2 po de diam. int. pour empêcher une insuffisance de gaz. S'assurer que la conduite de branchement alimentant le Brûleur Latéral est pourvue d'un robinet d'arrêt facile d'accès permettant de couper le gaz en cas d'urgence.

FR

BRÛLEUR SURPUISSANT HESTAN (MODÈLE AGPB24-NG REPRÉSENTÉ)



Le Brûleur Surpuissant Hestan pour utilisation au gaz naturel est pourvu de son propre détendeur qui NE DOIT PAS être déposé. S'il s'avère nécessaire de remplacer le détendeur, n'utiliser que le type spécifié par Hestan pour cet appareil.

Pour connecter l'alimentation en gaz, procéder comme suit :

1. Repérer le détendeur monté sous le Brûleur Surpuissant et installer un coude et tuyau de 1/2" NPT comme indiqué ci-dessus. Le tuyau doit avoir au moins 3 po (7.6cm) de long.
2. Raccorder l'alimentation en gaz au moyen d'un tuyau de gaz flexible (semi-rigide) en acier inoxydable d'au moins 1/2 po de diamètre ne dépassant pas 48 po (1.2m) de long. Veiller à utiliser des raccords adaptés et un flexible aussi court que possible pour effectuer le raccordement. Le tuyau, ainsi que les raccords, doivent être conformes à la norme *Standard for Connectors for Outdoor Gas Appliances and Manufactured Homes, ANSI Z21.75 • CSA 6.27*, et être adaptés à une installation en plein air. Appliquer de la pâte d'étanchéité appropriée sur tous les raccords.
3. Passer à la section CONTRÔLE D'ÉTANCHÉITÉ.



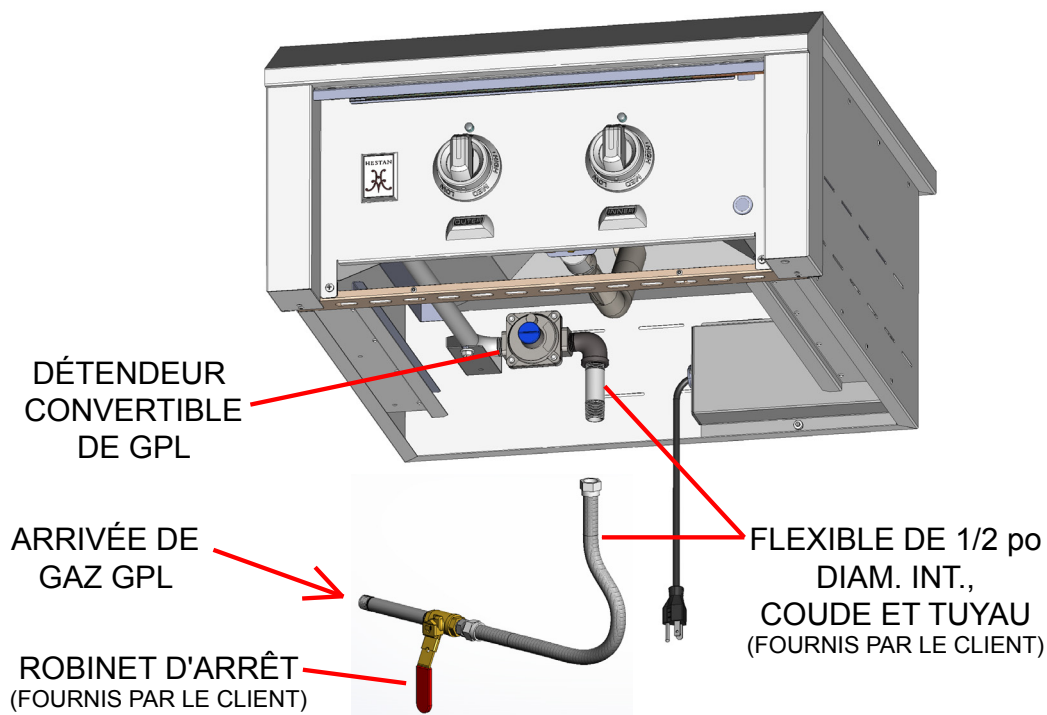
BRANCHEMENTS POUR LE GAZ ET L'ÉLECTRICITÉ (suite)

RACCORDEMENT DE GAZ – SYSTÈMES DE CONDUITES DE GPL

Dans un système de conduites de GPL, un grand réservoir central de GPL alimente l'ensemble d'une habitation. Ces systèmes sont généralement équipés d'un détendeur haute pression qui se trouve à côté du grand réservoir et peut avoir des régulateurs à basse pression proche de l'habitation. Les raccords des conduites de gaz doivent être conformes à la norme *Standard for Connectors for Outdoor Gas Appliances and Manufactured Homes, ANSI Z21.75 • CSA 6.27*, et être adaptés à une installation en plein air. La longueur du raccordement ne doit pas dépasser 48 po (1,22 m).

REMARQUE : Pour faire en sorte que cet appareil chauffe bien, vérifier que la pression dans la conduite d'alimentation en gaz est suffisante. Utiliser uniquement le détendeur de pression de gaz fourni avec cet appareil. Ce détendeur est réglé pour une pression d'alimentation de 11 po à la colonne d'eau (2,74 kPa) pour maintenir une pression d'admission de 10 po à la colonne d'eau (2,49 kPa). Utiliser un flexible d'au moins 1/2 po de diam. int. pour empêcher une insuffisance de gaz. S'assurer que la conduite de branchement alimentant le Brûleur Latéral est pourvue d'un robinet d'arrêt facile d'accès permettant de couper le gaz en cas d'urgence.

BRÛLEUR SURPUISSANT HESTAN (MODÈLE AGPB24-LP REPRÉSENTÉ)



Le Brûleur Surpuissant Hestan pour utilisation dans un système de conduites de GPL est pourvu de son propre détendeur qui NE DOIT PAS être déposé. S'il s'avère nécessaire de remplacer le détendeur, n'utiliser que le type spécifié par Hestan pour cet appareil.

Pour connecter l'alimentation en gaz, procéder comme suit :

1. Repérer le détendeur monté sous le Brûleur Surpuissant et installer un coude et tuyau de 1/2" NPT comme indiqué ci-dessus. Le tuyau doit avoir au moins 3 po (7.6cm) de long.
2. Raccorder l'alimentation en gaz au moyen d'un tuyau de gaz flexible (semi-rigide) en acier inoxydable d'au moins 1/2 po de diamètre ne dépassant pas 48 po (1.2m) de long. Veiller à utiliser des raccords adaptés et un flexible aussi court que possible pour effectuer le raccordement. Le tuyau, ainsi que les raccords, doivent être conformes à la norme *Standard for Connectors for Outdoor Gas Appliances and Manufactured Homes, ANSI Z21.75 • CSA 6.27*, et être adaptés à une installation en plein air. Appliquer de la pâte d'étanchéité appropriée sur tous les raccords.
3. Passer à la section CONTRÔLE D'ÉTANCHÉITÉ.



RACCORDEMENT DE GAZ – BOUTEILLE DE PROPANE LIQUIDE (GPL)

Le Brûleur Surpuissant Hestan peut être connecté à un bouteille de GPL standard de 20 lbs. lorsqu'il est utilisé avec un ensemble de détendeur à deux étages / flexible et un dispositif de retenue de réservoir disponible en kit AGCKLPT de Hestan. Cet ensemble détendeur à deux étages / flexible doit être utilisé SANS modification. Si le flexible ou une partie de l'ensemble est endommagé, il ne doit pas être réparé - il doit être remplacé. Veuillez contacter votre concessionnaire Hestan pour le remplacement authentique n° réf. 014309. Veuillez lire et comprendre les instructions fournies avec le kit et effectuer les tests de fuite décrits ci-dessous avant d'utiliser votre appareil.

REMARQUE : Pour faire en sorte que cet appareil chauffe bien, vérifier que la pression d'alimentation en gaz est suffisante. Utiliser uniquement le détendeur de pression de gaz fourni avec cet appareil. Ce détendeur est réglé pour maintenir une pression d'admission de 10 po à la colonne d'eau (2,49 kPa).

CONTRÔLE D'ÉTANCHÉITÉ

GÉNÉRALITÉS

Bien que tous les raccords du Brûleur Surpuissant Hestan fassent l'objet d'un contrôle d'étanchéité avant la sortie d'usine, un nouveau contrôle d'étanchéité doit être effectué sur le lieu d'installation par suite d'un possible déplacement en court de transport ou d'une pression excessive exercée inconsciemment sur les pièces de l'appareil. Contrôler régulièrement l'étanchéité de l'ensemble du système ou le faire immédiatement si on perçoit une odeur de gaz.

AVANT LE CONTRÔLE

- Ne pas fumer pendant le contrôle d'étanchéité.
- Ne jamais contrôler l'étanchéité avec une flamme nue.
- Préparer une solution savonneuse consistant en un volume de détergent liquide et un volume d'eau à des fins de contrôle d'étanchéité.
- Appliquer de la solution sur les raccords de gaz à l'aide d'un flacon pulvérisateur ou d'un pinceau.
- Pour les appareils au GPL, toujours effectuer le contrôle alors que leur bouteille est pleine.

POUR EFFECTUER LE CONTRÔLE

- S'assurer que tous les robinets de réglage sont en position « OFF ».
- Appliquer de la solution savonneuse décrite plus haut sur tous les raccords.
- Ouvrir l'arrivée de gaz.
- Contrôler tous les raccordements depuis la conduite d'alimentation ou la bouteille de GPL jusqu'au tuyau collecteur compris.
- Des bulles de savon se formeront à l'emplacement d'une fuite. En cas de fuite, couper immédiatement l'arrivée de gaz, resserrer tout raccord qui fuit, rouvrir l'arrivée de gaz et recommencer le contrôle.
- S'il s'avère impossible d'arrêter une fuite de gaz, couper l'arrivée de gaz et s'adresser au concessionnaire qui a vendu le Brûleur Surpuissant.
- Ne pas utiliser le Brûleur Surpuissant tant que tous les raccordements n'ont pas été contrôlés et qu'ils fuient.

REMARQUE IMPORTANTE – TOUJOURS CONTRÔLER L'ÉTANCHÉITÉ APRÈS CHAQUE CHANGEMENT DE BOUTEILLE DE GPL.

En cas de fuite ou si le tuyau présente des signes d'abrasion ou d'usure excessive, ou de coupure, il doit être remplacé avant utilisation de l'appareil. Le flexible et le détendeur de GPL sont fournis sous forme d'ensemble complet et doivent être remplacés comme tel. Ne pas essayer de réparer ou remplacer le flexible seul. S'adresser au concessionnaire Hestan pour une pièce de rechange authentique, n° réf. 014309.

Contrôler l'étanchéité de tous les raccords d'alimentation en gaz avant chaque utilisation. Il est pratique de conserver un flacon pulvérisateur d'eau savonneuse près du robinet d'arrêt de la conduite d'alimentation en gaz. Pulvériser sur tous les raccords. Des bulles indiquent des fuites.



BRANCHEMENTS POUR LE GAZ ET L'ÉLECTRICITÉ (suite)

REMARQUE IMPORTANTE – TOUJOURS CONTRÔLER L'ÉTANCHÉITÉ APRÈS CHAQUE CHANGEMENT DE BOUTEILLE DE GPL.

En cas de fuite ou si le tuyau présente des signes d'abrasion ou d'usure excessive, ou de coupure, il doit être remplacé avant utilisation du Brûleur Surpuissant. Le tuyau et le détendeur de GPL sont fournis sous forme d'ensemble complet et doivent être remplacés comme tel. Ne pas essayer de réparer ou remplacer le tuyau seul. S'adresser au concessionnaire Hestan pour une pièce de rechange authentique, n° réf. 014309.

Contrôler l'étanchéité de tous les raccords d'alimentation en gaz avant chaque utilisation. Il est pratique de conserver un flacon pulvérisateur d'eau savonneuse près du robinet d'arrêt de la conduite d'alimentation en gaz. Pulvériser sur tous les raccords. Des bulles indiquent des fuites.

ALIMENTATION ÉLECTRIQUE

Important : Cet appareil doit être mis à la terre conformément aux codes locaux ou, en leur absence, au National Electrical Code, ANSI/NFPA 70-1990.

AVERTISSEMENT

Les appareils pourvus d'un cordon souple d'alimentation sont fournis avec une fiche tripolaire de mise à la terre. Cette fiche doit être impérativement branchée dans une prise tripolaire correctement mise à la terre. Si la prise n'est pas du type à mise à la terre approprié, s'adresser à un électricien. Ne pas enlever la broche de mise à la terre de cette fiche.

Le Brûleur Surpuissant est conçu pour le courant alternatif de 120 volts et doit être raccordé à un circuit protégé par disjoncteur de fuite à la terre. Ne pas raccorder le Brûleur Surpuissant à l'alimentation électrique avant d'avoir effectué tous les raccordements de gaz et contrôlé leur étanchéité.

MAINTENIR TOUT CORDON ÉLECTRIQUE ET TUYAU D'ALIMENTATION EN COMBUSTIBLE À L'ÉCART DE TOUTE SURFACE CHAUFFÉE.

1. Pour se protéger des chocs électriques, ne pas plonger le cordon ni ses fiches dans de l'eau ou un autre liquide.
2. Le débrancher de la prise lorsque l'appareil n'est pas en service et avant le nettoyage. Laisser l'appareil refroidir avant de poser ou de déposer des pièces.
3. Ne pas faire fonctionner un appareil à gaz de cuisson en plein air dont le cordon ou la fiche est endommagé ni après un dysfonctionnement ou endommagement quelconque de l'appareil. S'adresser au fabricant pour la réparation.
4. Ne pas laisser le cordon pendre par-dessus le bord d'une table ni toucher des surfaces très chaudes.
5. Ne pas utiliser un appareil à gaz de cuisson en plein air dans un rôle autre que celui pour lequel il est conçu.
6. N'utiliser qu'un circuit protégé par disjoncteur de fuite à la terre avec cet appareil à gaz de cuisson en plein air
7. Ne jamais retirer la broche de mise à la terre ni utiliser un adaptateur à 2 broches.
8. N'utiliser que des cordons prolongateurs à fiche tripolaire de mise à la terre d'une intensité correspondant à celle de l'alimentation de l'appareil et agréés pour une utilisation en plein air, ce qu'indique la marque « W-A ».

RÉGLAGES DES BRÛLEURS

Le brûleur central de Brûleur Surpuissant Hestan est comparable à de nombreuses tables de cuisson domestiques. Ils n'ont pas de réglage, sauf pour ce qui est des orifices calibrés corrects et de la position de cuisson à feu doux du robinet. En outre, le brûleur octogonal n'a aucun réglage, si ce n'est le choix de l'orifice calibré et le réglage de l'obturateur d'air.



RÉGLAGE DE LA FLAMME DES BRÛLEURS

Chaque Brûleur Surpuissant est contrôlé et réglé à l'usine avant la sortie d'usine. Le choix de l'orifice calibré adapté au type de gaz et le réglage du mélange air-combustible (obturateur d'air) ont été effectués au même moment. Toutefois, les variations affectant le gaz distribué localement, l'altitude à laquelle on vit, la conversion d'un type de gaz à un autre, et d'autres facteurs pourraient rendre nécessaire un réglage de la flamme des brûleurs.

Contrôler visuellement la flamme des brûleurs et la comparer aux figures de la page suivante. Les flammes doivent être bleues et stables sans pointes jaunes (celles des appareils au GPL auront parfois des pointes jaunes). Il ne devrait pas y avoir de bruit excessif ou de levage de flamme. Si l'une de ces conditions existe, retirez le capuchon du brûleur et vérifiez si les saletés, les débris, les toiles d'araignées, etc. bloquent le trou venturi central ou les orifices individuels du brûleur. La flamme orange inhabituelle qui disparaît rapidement est habituellement une petite quantité de poussière ou de condensation d'eau qui brûle - c'est normal.

Contrôler périodiquement le brûleur octogone pour rechercher l'éventuelle présence d'orifices bouchés, de débris, de toiles d'araignées, etc. Des consignes de nettoyage sont données dans la section NETTOYAGE ET ENTRETIEN.

RÉGLAGES DE ROBINETS

Les robinets du Brûleur Surpuissant Hestan sont pré-réglés à l'usine pour permettre des performances optimales. Toutefois, celui du brûleur central offre également un réglage de flamme pour feu doux (pour faire mijoter) si l'altitude, le rendement à feu doux, la conversion d'un gaz à un autre ou d'autres facteurs indiquent qu'un réglage est nécessaire.



AVERTISSEMENT

NE JAMAIS RÉGLER LE BRÛLEUR TELLEMENT BAS QU'IL RISQUE DE S'ÉTEINDRE EN COURS D'UTILISATION. NE PAS FAIRE FONCTIONNER LE BRÛLEUR SURPUISSANT SI LA VIS DE FEU DOUX A ÉTÉ ENLEVÉE. DU GAZ PEUT S'ÉCHAPPER ET CRÉER UNE SITUATION POTENTIELLEMENT DANGEREUSE.



ÉTAPES DE RÉGLAGE DU ROBINET DE BRÛLEUR CENTRAL:

1. Retirer les boutons de réglage, le bac de récupération et le panneau de commande de l'appareil.
2. Appliquer les instructions d'allumage en plaçant le bouton de réglage sur « Hi » et laisser le brûleur chauffer pendant 10 minutes.
3. Tourner le bouton de réglage sur « LOW » et attendre que la température du brûleur baisse et se stabilise, ce qui demande 10 minutes environ. Une tentative de réglage dans toute position autre que LOW peut créer une situation dangereuse.
4. Introduire un petit tournevis plat dans la petite vis qui se trouve à gauche de la tige du robinet pour commencer le réglage (voir Fig. 2). La vis n'offre que 2 ou 3 tours complets de réglage. Il se peut qu'après cela la vis continue de tourner mais sort en fait du robinet, ce qui pourrait entraîner une fuite de gaz. NE PAS tourner la vis de plus de 3 tours.
5. La tourner très lentement dans le sens antihoraire pour AUGMENTER la flamme à feux doux. Il faudra quelques secondes à la flamme pour réagir aux réglage effectués.
6. Régler la flamme de façon à ce que tous les orifices de combustion restent complètement allumés, sans tremblement ni extension. Éteindre le brûleur et le rallumer. Vérifier une fois de plus le réglage du feu doux pour s'assurer qu'il est maintenant correct. Remettre le panneau de commande, le bac de récupération et les boutons de réglage en place.

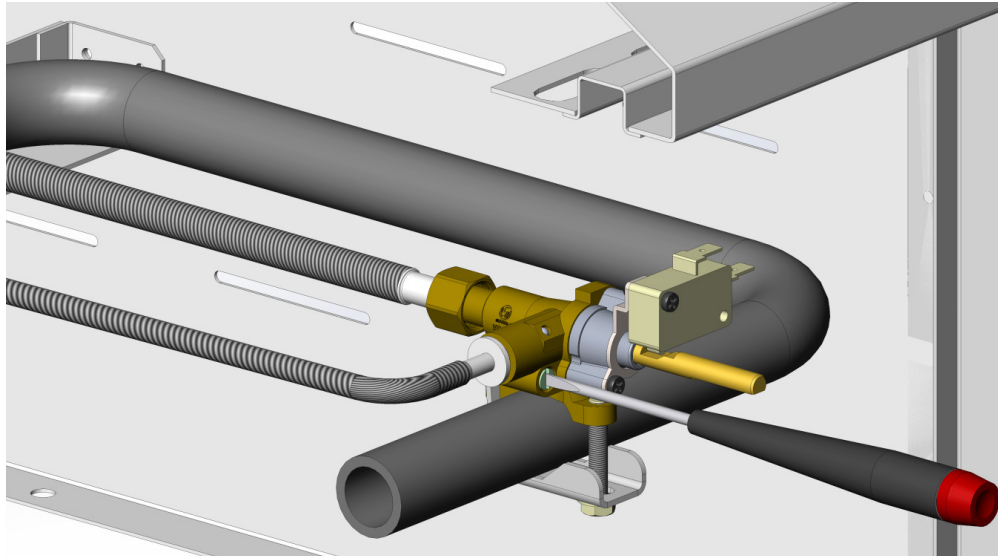


Figure 2

INSTRUCTIONS D'ALLUMAGE



Les Brûleurs Surpuissant Hestan sont dotés d'un système d'allumage par étincelle utilisant la technologie de détection de flamme qui rallume cette dernière si elle s'éteint.

Les brûleurs peuvent tpeut également être allumé manuellement si cela s'avère nécessaire.

ALLUMAGE DES BRÛLEURS

1. Lire le manuel d'utilisation et d'entretien avant d'allumer. Enlever le couvercle lors de l'allumage.
2. S'éloigner autant que possible lors de l'allumage.
3. Appuyer sur le bouton sélectionné et le tourner en position « HIGH ». L'allumeur produit des étincelles jusqu'à ce qu'une flamme soit obtenue.
4. Une fois le brûleur allumé, tourner le bouton à la position correspondant au réglage de flamme désiré. Si aucune étincelle ne se produit, vérifier l'alimentation électrique.
5. Si un brûleur ne s'allume pas en 5 secondes, tourner son bouton sur « OFF » et attendre 5 minutes avant de rallumer.
6. Si un brûleur ne réussit pas à s'allumer, voir le MANUEL D'UTILISATION ET D'ENTRETIEN pour des instructions d'allumage à l'aide d'une allumette.

Remarque : Le détecteur de flamme de l'allumeur à étincelles déclenchera ce dernier de façon répétée (en produisant un déclic) jusqu'à ce qu'une flamme s'allume. L'allumeur pour le brûleur central est intégré à la base du brûleur et est bien protégé (voir fig. 3). En cas de production intempestive d'étincelles en cours de fonctionnement normal du brûleur, voir la section DÉPANNAGE de ce manuel.

L'allumeur du brûleur octogone est à découvert et risque d'être encrassé, par exemple en cas de débordement en cours de cuisson. Pour garantir un allumage correct, veiller à maintenir la bonne distance entre le brûleur et l'allumeur. L'allumeur doit se trouver à 1/8 po (3 mm) environ des orifices de combustion les plus proches sur le côté droit du brûleur (voir Fig. 4), de façon à ce qu'une flamme soit constamment au contact de l'électrode centrale de l'allumeur. Si le corps de l'allumeur a remué ou si le brûleur lui-même est hors de position, un déclenchement intempestif d'étincelles risque de se produire.

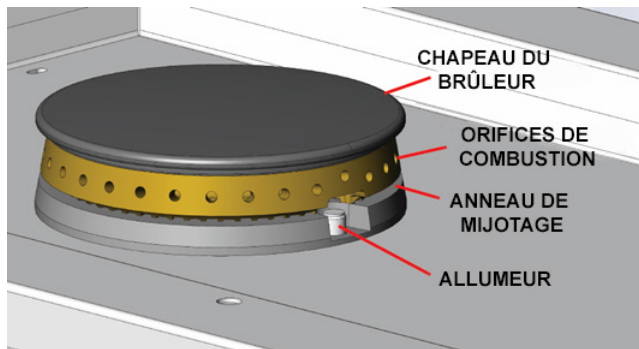


Figure 3

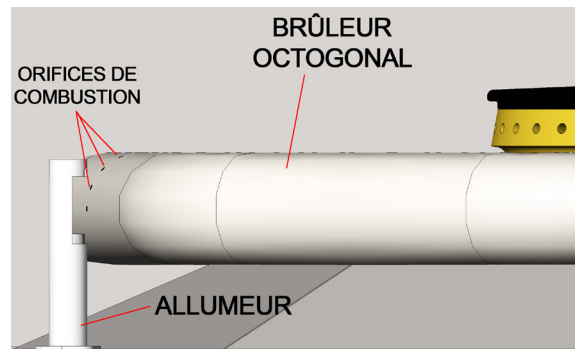


Figure 4

INSTRUCTIONS D'ALLUMAGE À L'AIDE D'UNE ALLUMETTE

Si un brûleur ne s'allume pas après plusieurs tentatives, il est possible de l'allumer avec une allumette. Lorsqu'on essaye d'allumer un brûleur à l'aide d'une allumette, veiller à choisir le bouton de réglage correspondant à ce brûleur. Éloigner le visage autant que possible et faire passer l'allumette allumée par les ouvertures des grilles de cuisson puis la placer près des orifices de combustion. Appuyer sur le bouton de réglage et le tourner sur « HIGH » jusqu'à ce que le brûleur s'allume. Répéter cette opération pour chaque brûleur si nécessaire. Si un brûleur ne s'allume pas en 5 secondes, tourner son bouton de réglage sur « OFF » et attendre 5 minutes avant d'essayer de nouveau. Si le brûleur ne s'allume pas après plusieurs tentatives, voir la section DÉPANNAGE de ce manuel.



UTILISATION DU BRÛLEUR SURPUISSANT

Le Brûleur Surpuissant Hestan est un puissant outil de cuisson qui complète le gril Hestan. NE PAS laisser le Brûleur Surpuissant sans surveillance quand il est allumé.

GUISSON AVEC DES BRÛLEURS SURPUISSANT

Le Brûleur Surpuissant Hestan comporte un brûleur intérieur du type « table de cuisson » pour utilisation avec des petites casseroles ou un wok. Il a une capacité allant de 1650 BTU en position de mijotage à 20000 BTU en position de haut. Le brûleur extérieur octogonal a une capacité allant de environ 12000 BTU en position basse, à 50000 BTU en position haute. Lorsqu'ils sont utilisés conjointement, ils ont une puissance maximum combinée de 70000 BTU (avec le gaz naturel).

Choisissez le pot ou la casserole approprié pour le brûleur. En d'autres termes, ne mettez pas un petit pot sur un gros brûleur. Pour des raisons de sécurité, contrôlez la hauteur de la flamme afin qu'elle ne dépasse pas, ni boucler les côtés de votre pot ou de votre casserole. Ce comportement entraîne un mauvais chauffage du contenu de la casserole, des aliments brûlés sur les côtés de la casserole, du carburant gaspillé, etc.

GUISSON EN WOK

Retirer la grille centrale rapportée pour cuisiner au wok. Il est recommandé d'utiliser un wok de 14 à 20 po (36 à 51 cm) de diamètre. La cuisine au wok exige généralement une chaleur intense au milieu de celui-ci. C'est pourquoi il convient de ne pas utiliser le brûleur octogonal pour cuisiner au wok. Sinon, il est très probable que les aliments, peut-être même les poignées du wok, brûleront.



NETTOYAGE ET ENTRETIEN

ENTRETIEN DE L'ACIER INOXYDABLE

L'acier inoxydable est couramment utilisé dans les appareils des cuisines de restaurants et de résidences à cause de sa robustesse, de sa capacité de résistance à la corrosion et de sa facilité de nettoyage. Ces caractéristiques du métal sont malheureusement tenues pour acquises et on présume qu'aucun problème n'apparaîtra en cours de service. Un certain soin est toutefois nécessaire pour garantir une longue durée de service du Brûleur Surpuissant.

Afin de maintenir l'aspect initial du Brûleur Surpuissant Hestan, il convient de le nettoyer régulièrement en procédant comme suit :

1. Après avoir utilisé le Brûleur Surpuissant et pris les mesures de sécurité décrites en détail plus haut dans ce manuel, l'essuyer avec un chiffon doux imbibé d'eau savonneuse et le rincer avec de l'eau chaude propre. Cela devrait enlever la plupart des substances produites pendant la cuisson.
2. Pour éliminer les taches tenaces, y compris les dépôts de graisse calcinée et d'origine alimentaire, appliquer une crème nettoyante non abrasive à usages multiples avec un chiffon doux humide. Rincer à l'eau douce comme indiqué plus haut. N'utiliser en aucun cas des tampons à récurer métalliques, sauf s'ils sont en acier inoxydable.
3. Ne pas utiliser d'abrasifs agressifs ni de tampons à récurer métalliques pour nettoyer l'acier inoxydable car ils laisseront des rayures sur la surface et dégraderont l'aspect du Brûleur Surpuissant. De même, ne pas utiliser des brosses métalliques, des grattoirs ni des tampons à récurer sales.
4. Dans les zones à grain orienté, tout nettoyage effectué avec des abrasifs doit l'être dans le sens du grain, pas dans le sens contraire.
5. Après usage, toujours enlever les articles de nettoyage mouillés (tels que chiffons, tampons, contenants) de la surface pour éviter la formation de marques ou taches d'eau.
6. Si nécessaire, sécher le Brûleur Surpuissant après s'en être servi avec un chiffon ou serviette doux sec.

Si les consignes qui précèdent sont respectées, le Brûleur Surpuissant Hestan devrait offrir une excellente durée de service et ne pas faillir à sa réputation d'être « inoxydable ». Les négliger peut toutefois conduire à une détérioration de la surface et, dans des cas extrêmes, à une corrosion de l'acier lui-même. Les deux types les plus courants de corrosion qui peuvent se rencontrer, sur l'acier inoxydable en particulier, sont les marques de rouille et les piqûres en surface.



MARQUES DE ROUILLE BRUNE

Ces marques de rouille sont vraisemblablement le résultat de l'adhésion de petites particules d'« acier ordinaire » à la surface, qui ont fini par rouiller en milieu humide. La source la plus courante de telles particules est les tampons à récurer métalliques mais la contamination peut également provenir d'ustensiles en acier au carbone et de vieilles canalisations d'eau en fonte. Ces marques brunes ne sont que des taches superficielles, qui seront inoffensives pour le Brûleur Surpuissant. Elles doivent pouvoir être enlevées en appliquant une crème nettoyante non abrasive à usages multiples avec un chiffon doux humide. Il peut parfois s'avérer nécessaire de recourir à un nettoyant spécial pour acier inoxydable afin de redonner à la surface du Brûleur Surpuissant l'éclat du neuf. Pour éviter que des taches de rouille ne réapparaissent, il est essentiel d'éliminer la source de la contamination. L'utilisation d'une housse de Brûleur Surpuissant Hestan contribuera grandement à empêcher ce genre d'encrassement.

PIQÛRES DE CORROSION

Une forme plus grave de corrosion est la formation de piqûres en surface. Cette corrosion peut généralement être attribuée à certains produits ménagers tels que l'eau de javel, les produits d'entretien contenant de l'eau de javel (hypochlorite de sodium) et le chlore de piscine. Si les piqûres apparaissent sur la surface d'acier inoxydable, on peut essayer de la polir à l'aide de tampons abrasifs pour acier inoxydable mais, dans la plupart des cas, les piqûres en surface ne peuvent être éliminées.

PRODUITS ALIMENTAIRES

L'acier inoxydable résiste en général parfaitement à tous les produits alimentaire d'usage courant. Ce n'est que dans des cas isolés, quand par exemple on laisse des mélanges concentrés de sel et de vinaigre au contact de l'acier pendant des périodes prolongées, que des marques peuvent apparaître en surface. Nettoyer la surface conformément aux instructions données plus haut.

ENTRETIEN DES SURFACES PEINTES (LE CAS ÉCHÉANT)

Les Brûleur Surpuissant Hestan sont disponibles en standard en acier inoxydable ou offrent également une finition en 11 coloris distinctifs Hestan au choix. Les peintures en poudre résistantes appliquées sur ces panneaux sont communément utilisées sur les pièces automobiles, ainsi que sur les appareils électroménagers à usage commercial et résidentiel à cause de leur excellente résistance à l'écaillage et à divers produits chimiques. Le fini devrait bien résister à l'extérieur dans la plupart des situations. Toutefois, comme pour toute surface peinte, le nettoyage de ce fini doit être effectué avec un soin particulier.

Pour nettoyer la surface à revêtement de peinture en poudre :

1. Éliminer avec précaution tous les dépôts avec une éponge humide.
2. Utiliser une brosse (non abrasive) ou un chiffon doux et une solution de détergent ménager doux pour enlever la poussière, le sel et les autres dépôts. Ne jamais utiliser de nettoyants à base de solvants, nettoyants pour acier inoxydable, dégraissants puissants, produits à nettoyer les fours, etc. sur les surfaces peintes, car ils peuvent endommager la peinture de façon irréparable.
3. Rincer à l'eau douce propre et sécher avec un chiffon propre.

ENTRETIEN DES ÉLÉMENTS DU BRÛLEUR SURPUISSANT

GRILLES DU BRÛLEUR

Si la grille ou l'élément rapporté central doit être nettoyé, il est plus simple de le faire dès que la cuisson est terminée après avoir éteint la flamme. Porter un gant de cuisine pour protéger sa main de la chaleur et de la vapeur. Tremper une brosse à poils de laiton pour nettoyage de gril dans de l'eau savonneuse chaude et frotter la grille de cuisson chaude. Plonger fréquemment la brosse dans l'eau. La vapeur produite lorsque l'eau touche la grille chaude facilite le nettoyage en ramollissant toute particule d'aliment. Le nettoyage sera plus difficile si on laisse d'abord le Brûleur Surpuissant refroidir.

BAC DE RÉCUPÉRATION

Nettoyer le bac de récupération après chaque utilisation du Brûleur Surpuissant. Laisser un bac de récupération sale en place attirera les insectes et les rongeurs. Après avoir laissé le Brûleur Surpuissant refroidir complètement, enlever le bac de récupération en le tirant hors du brûleur. Remettre le bac en place une fois qu'il est nettoyé.



NETTOYAGE ET ENTRETIEN (suite)

FR

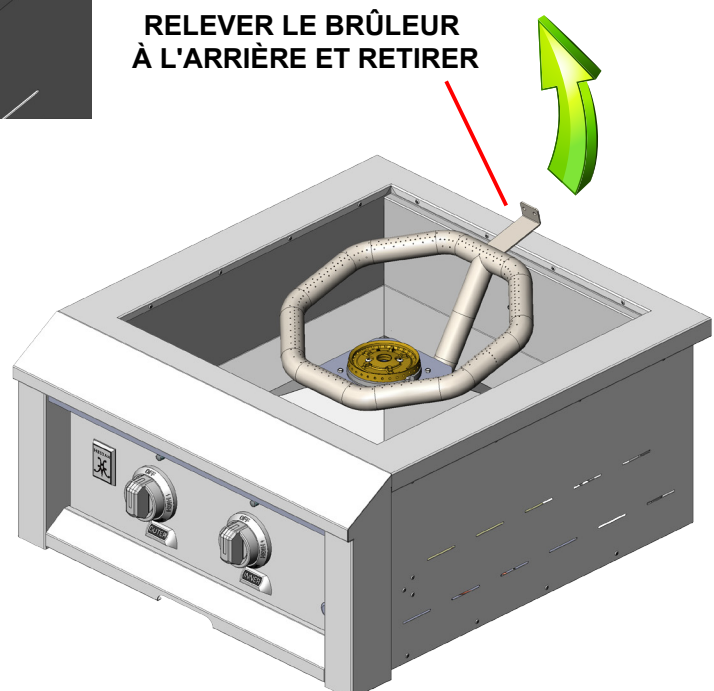
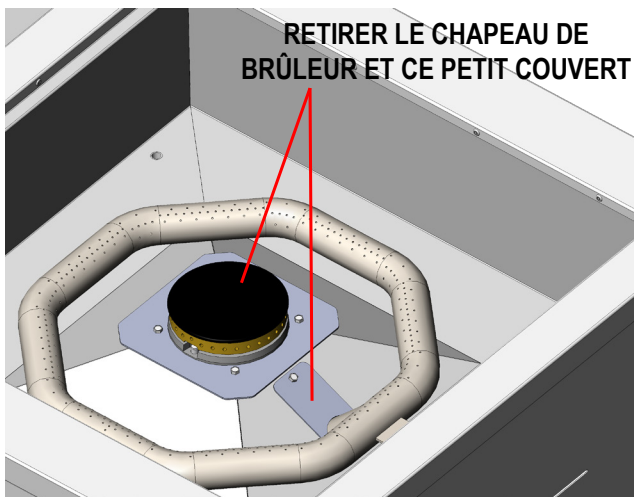
NETTOYAGE DU BRÛLEUR

Le nettoyage de l'ensemble du brûleur ne doit être nécessaire qu'en cas de un grand déversement qui peut avoir obstrué les orifices du brûleur, etc. Lorsque le brûleur central est complètement refroidi, retirez le chapeau du brûleur et nettoyez les débris, les aliments, la graisse, etc. Vous trouvez en utilisant une solution aqueuse d'eau savonneuse. Une brosse à dents peut être utilisée pour frotter les zones difficiles. Essayez avec un chiffon propre et remontez. Le brûleur octogonal est fabriqué en acier inoxydable série 300 de haute qualité qui peut être nettoyé avec une brosse à poils en laiton et de l'eau savonneuse chaude.

Le brûleur octogonal est un peu plus difficile à nettoyer. S'il faut le déposer, commencer par retirer le chapeau du brûleur central puis le petit couvercle à l'arrière du brûleur. Retirer également les 2 vis fixant le brûleur à la paroi arrière de l'appareil. Relever le brûleur et l'enlever de l'appareil. Veiller à ne pas endommager l'allumeur à côté du brûleur.

Ne pas nettoyer les orifices de combustion avec un cure-dent ou un autre objet susceptible de se casser à l'intérieur d'un orifice. Se servir d'un trombone ou d'une aiguille pour le faire. La calamine tenace peut être enlevée à l'aide d'un couteau racleur. En cas de dépose, veiller à bien tout rincer et secouer pour expulser l'eau et les débris prisonniers à l'intérieur du tube de brûleur. Ne pas faire bouger l'obturateur d'air.

Il convient d'être très prudent lors de la remise en place du brûleur. Il doit être bien centré et assujéti sur l'orifice calibré avant toute tentative de rallumage. Une fois qu'il est remis en place sur l'orifice calibré et que le support arrière est assujéti de nouveau avec les 2 vis, le brûleur doit reposer à plat et ne pas bouger latéralement. Veiller à ne pas endommager l'allumeur à côté du brûleur.





ALLUMEURS

L'allumeur du brûleur central est partiellement découvert et peut être encrassé en cas de débordement lors de l'utilisation du Brûleur Surpuissant. Il est possible de le nettoyer délicatement avec de l'eau savonneuse et une brosse à dents. L'essuyer avec un chiffon propre. L'allumeur du brûleur octogonal est également à découvert et risque d'être encrassé. Faire preuve d'une prudence accrue lors du nettoyage de cet allumeur car sa position par rapport au brûleur est très importante pour un allumage correct et pour limiter le risque de déclenchement intempestif d'étincelles en cours d'utilisation.

REMARQUE : Une manipulation brutale de l'allumeur peut entraîner une fêlure du corps céramique l'empêchant de fonctionner. Le manipuler avec précaution.

AUTRES CONSIDÉRATIONS

Toujours maintenir les alentours du Brûleur Surpuissant libres d'obstructions et de débris. Maintenir un espace d'au moins 9 po (23 cm) autour du Brûleur Surpuissant pour garantir une bonne circulation d'air et maintenir toutes les ouïes d'aération dégagées et libres de débris. Nettoyer l'appareil après chaque utilisation et rechercher toute obstruction, en particulier des orifices calibrés de brûleurs, après des périodes prolongées d'inutilisation. Pour que le Brûleur Surpuissant Hestan conserve son aspect pendant de nombreuses années, le laisser couvert lorsqu'il n'est pas en service. Les environnements de jardin sont agressifs pour le fini de cet appareil. Une explosion prolongée au soleil, à l'eau, aux produits chimiques de jardin et aux éléments pourrait altérer l'aspect de l'acier inoxydable. Cela est particulièrement évident en bord de mer.

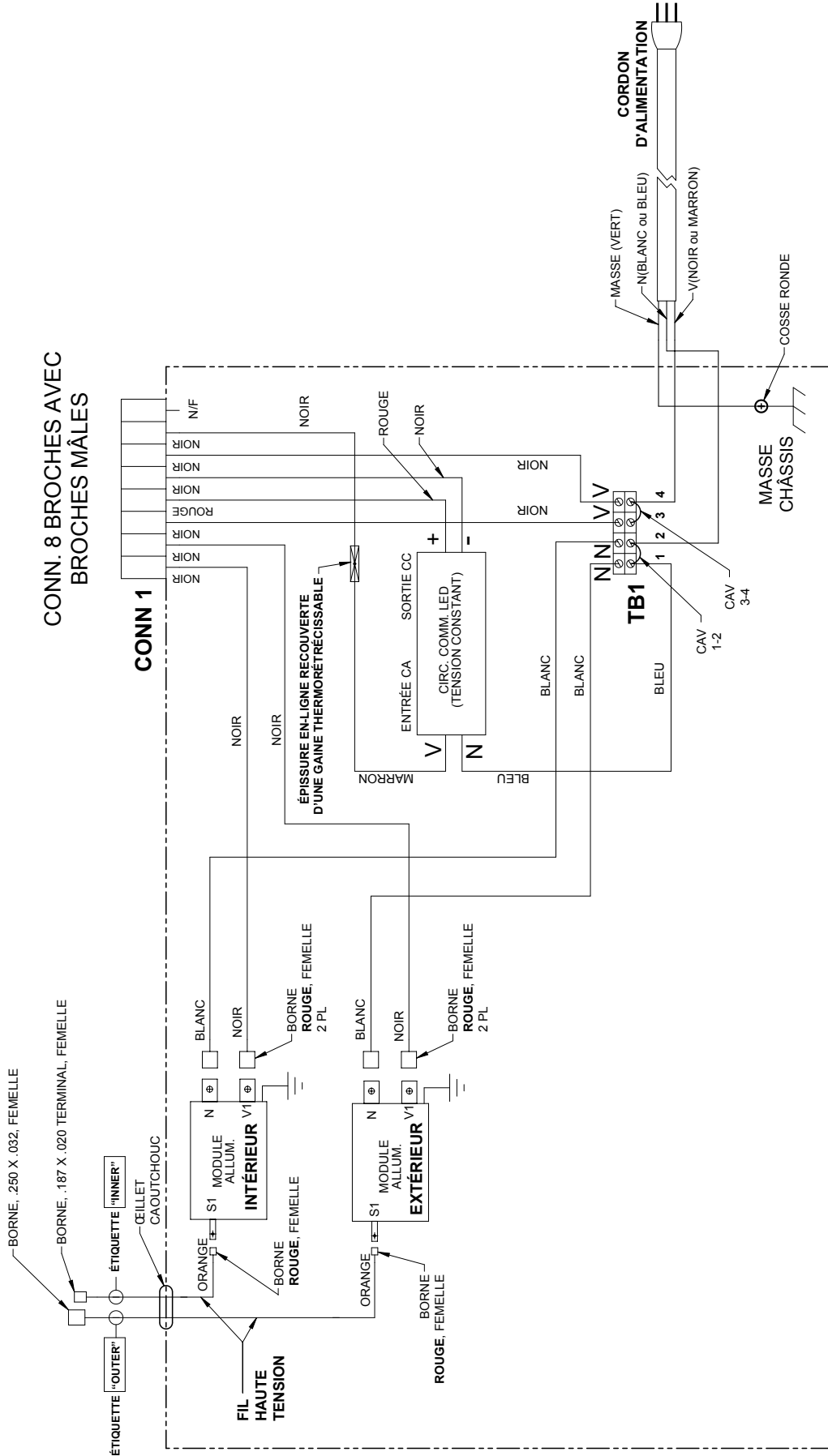
Les matériaux utilisés pour nos appareils ont été testés dans des solutions salines présentant une salinité supérieure à celle de l'eau de mer. Ils ont été également testés par une exposition à des aliments très acides. Pendant et après ces tests, nous nous sommes aperçus que ces matériaux pouvaient résister à une telle exposition pendant des périodes prolongées. Les substances corrosives susmentionnées, ainsi que la négligence, peuvent toutefois conduire à une situation dans laquelle ces conditions pourraient se combiner pour causer certains dégâts. Nous recommandons par conséquent de toujours veiller à ce que le Brûleur Surpuissant reste propre, sec et couvert quand il n'est pas en service. Cela est encore plus important lorsqu'un remisage à long terme est nécessaire. Toujours remiser le Brûleur Surpuissant Hestan propre, sec et couvert de la housse prévue pour ce brûleur. Un Brûleur Surpuissant sale attire les insectes et les rongeurs, ce qui n'est pas hygiénique du tout. Les rongeurs sont en outre connus pour mordiller l'isolant des fils, ce qui endommagera définitivement les fils et peut-être les composants électriques.

Dans les régions désertiques, le sable chassé par le vent est extrêmement abrasif et une exposition constante à celui-ci finira par piquer et rayer la surface. C'est une autre raison pour maintenir le Brûleur Surpuissant couvert quand il n'est pas en service.



Symptôme	Contrôle
Le brûleur ne s'allume pas	Alimentation en gaz coupée / robinet d'arrêt fermé Bouteille de GPL vide Cordon d'alimentation débranché, prise hors tension ou fusible grillé Pression d'alimentation en gaz de l'appareil trop basse Les orifices de combustion proches de l'allumeur sont obstrués ou encrassés Le brûleur n'est pas bien placé sur l'orifice calibré Robinet de brûleur défectueux ou bouché Orifice calibré incorrect ou bouché Allumeur défectueux ou fêlé (Pas d'étincelle) Détendeur défectueux ou mal posé
Le brûleur ne reste pas allumé	Orifices du brûleur obstrués ou encrassés Évent du détendeur bouché ou détendeur mal posé Conditions venteuses Pression de gaz trop basse
Chauffe lente	Pression de gaz trop basse ou bas niveau dans la bouteille de GPL Des orifices de combustion sont obstrués ou encrassés Robinet de brûleur défectueux ou bouché Orifice calibré incorrect ou bouché
Odeur de gaz	Un brûleur s'est éteint ou ne s'est pas allumé Conduite de gaz desserrée ou rompue Rupture du détendeur Le brûleur n'est pas bien placé sur l'orifice calibré Mauvaise combustion, mélange air-combustible mal réglé Orifices de brûleur obstrués/encrassés
Le brûleur fonctionne mal / flamme faible ou jaune	Les orifices de combustion sont obstrués ou encrassés ; rechercher la présence de toiles d'araignées Mauvaise combustion, mélange air-combustible mal réglé Pression de gaz incorrecte / détendeur incorrect Orifice calibré d'une taille incorrecte pour le type de gaz
Les témoins LED du panneau de commande ne fonctionnent pas	Cordon d'alimentation débranché ou prise hors tension Interrupteur défectueux
Émission intempestive d'un dé clic par le Brûleur Surpuissant	Conditions venteuses Flamme trop basse Débris alimentaires sur l'allumeur L'allumeur de brûleur extérieur hors de position (trop éloignée du brûleur)

SCHÉMAS DE CÂBLAGE



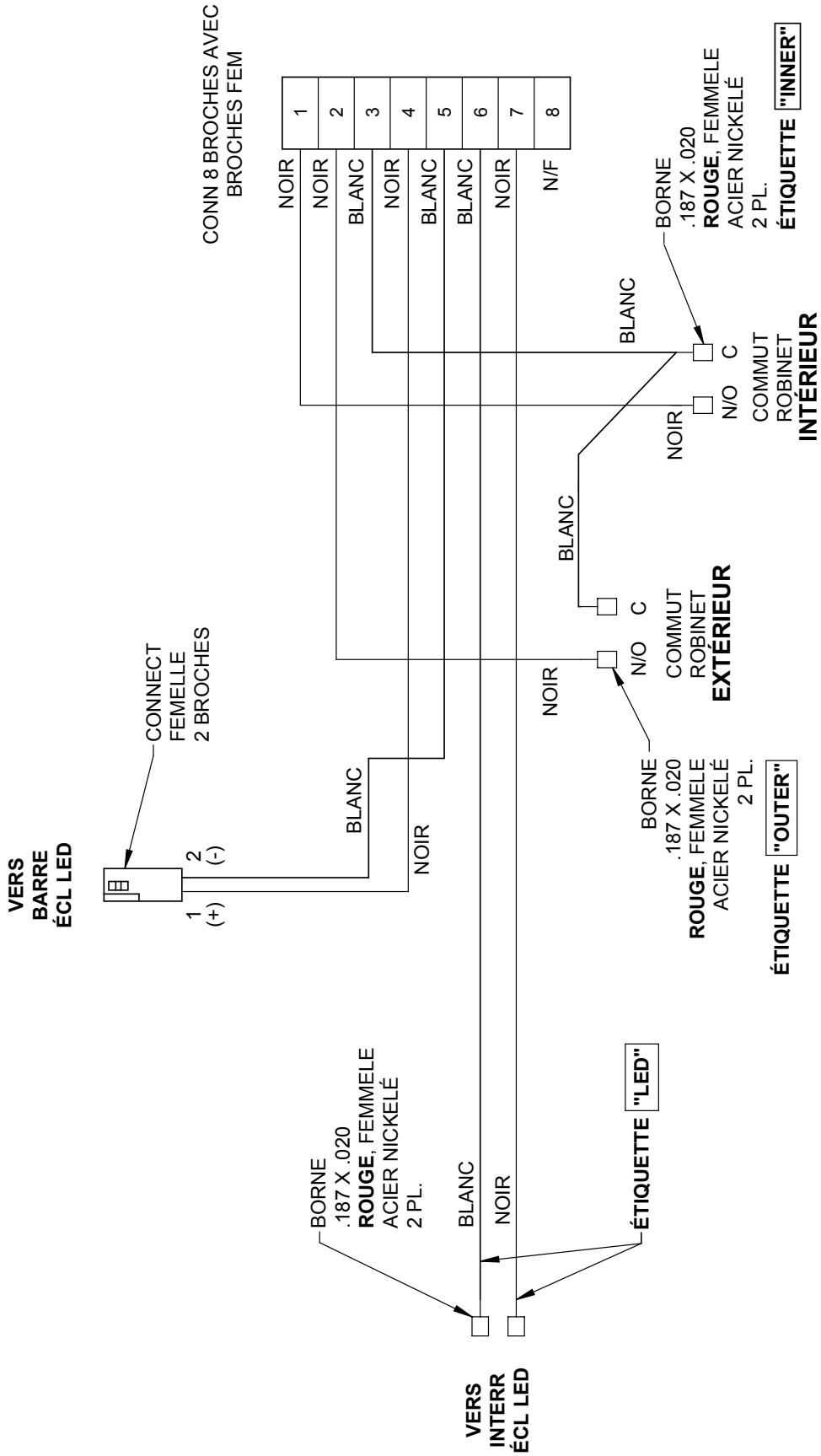
CONN. 8 BROCHES AVEC BROCHES MÂLES

CONN 1



SCHÉMAS DE CÂBLAGE (suite)

FR



LISTE DES PIÈCES



Visiter le site Web Hestan pour consulter la liste des pièces de ce produit de plein air Hestan : www.hestanoutdoor.com.

SERVICE



Toutes les réparations dans le cadre ou en dehors de la garantie doivent être effectuées par du personnel d'entretien qualifié. Pour localiser un réparateur agréé dans la région, s'adresser au concessionnaire Hestan, au représentant local ou à l'usine. Avant d'appeler, veiller à avoir les numéros de modèle et de série à portée de la main. Ces informations figurent sur la plaque signalétique fixée au dessous du bac de récupération de l'appareil.

Hestan Commercial Products
3375 E. La Palma Avenue
Anaheim, CA 92806
(888) 905-7463

GARANTIE LIMITÉE



ÉLÉMENTS COUVERTS PAR LA PRÉSENTE GARANTIE LIMITÉE

Hestan Commercial Corporation (« HCC ») garantit à l'acheteur initial d'un appareil à gaz de plein air Hestan (le « Produit ») chez un revendeur agréé HCC que le Produit ne présente aucun vice de matière ni de fabrication pendant une période d'un (1) an à compter de la date de l'achat initial au détail ou de la date de clôture en cas de construction neuve, suivant la période la plus longue (« Période de garantie limitée »). HCC accepte de réparer ou de remplacer, à sa seule discrétion, tout composant ou pièce du Produit dont la défaillance est due à des vices de matières ou de fabrication pendant la Période de garantie limitée. La présente Garantie limitée n'est pas transférable et n'est offerte à personne d'autre que l'acheteur initial au détail (« Acheteur »). La présente garantie limitée n'est valable que pour les Produits achetés chez et reçus d'un revendeur agréé HCC dans tous les États-Unis, dans le District de Columbia et au Canada. La présente Garantie limitée ne s'applique qu'aux Produits pour usage non commercial, à l'exclusion de ceux utilisés à des fins commerciales.

MARCHE À SUIVRE POUR UNE RÉPARATION AU TITRE DE LA GARANTIE

En cas de défaillance du Produit pendant la Période de garantie limitée pour des raisons couvertes par la présente Garantie limitée, l'Acheteur doit contacter immédiatement le revendeur auquel il a acheté le Produit ou HCC au 888.905.7463.

Il incombe à l'Acheteur de rendre le Produit raisonnablement accessible pour réparation ou de régler les frais de mise à disposition raisonnable du Produit pour réparation. La réparation sera effectuée pendant les heures d'ouverture normales du Centre de réparation agréé par Hestan. Dans la mesure où l'Acheteur demande une réparation en dehors des heures d'ouverture normales du Centre de réparation agréé par Hestan, l'Acheteur règlera la différence entre le tarif normal et celui des heures supplémentaires ou des primes. L'Acheteur doit régler tous les frais de déplacement si celui-ci dépasse 80 km [50 miles] (dans un sens) par rapport au Centre de réparation le plus proche agréé par Hestan.



GARANTIE LIMITÉE (suite)

ALLONGEMENTS AU-DELÀ DE LA PÉRIODE DE GARANTIE LIMITÉE D'UN AN:

En plus de la Garantie limitée d'un an, les composants qui suivent bénéficient d'un prolongement de la garantie comme indiqué expressément ci-après :

1. Le corps de gril en acier inoxydable, les grilles de cuisson et celle de maintien au chaud DiamondCut, les brûleurs Trellis Burner en acier inoxydable de gril, les brûleurs de saisie et le brûleur à infrarouge de tournebroche (le cas échéant) du Produit sont garantis exempts de vices de matières et de fabrication dans des conditions normales d'utilisation non commerciale et de réparation. Cela exclut la corrosion, la rayure et la décoloration superficielles susceptibles de se produire pendant une utilisation normale et se limite au remplacement de la ou des pièces défectueuses, tous les autres frais, y compris ceux de main d'œuvre, de transport et de manutention le cas échéant, étant à la charge de l'Acheteur.
2. La broche, les plateaux à briquettes, les collecteurs, les robinets de gaz et les brûleurs scellés (le cas échéant) du Produit sont garantis exempts de vices de matières et de fabrication dans des conditions normales d'utilisation non commerciale et de réparation pendant une période de cinq (5) ans à compter de la date de l'achat initial. Cela se limite au remplacement des pièces défectueuses, tous les autres frais, y compris ceux de main d'œuvre, de transport et de manutention le cas échéant, étant à la charge de l'Acheteur.

ÉLÉMENTS NON COUVERTS PAR LA PRÉSENTE GARANTIE LIMITÉE

La présente Garantie limitée ne couvre pas ce qui suit, excluant toute responsabilité financière de HCC : tous dommages ou vices affectant tout Produit non acheté chez un revendeur agréé HCC ; variations de coloris dans la finition ou autres dommages esthétiques ; panne ou dommages dus à une utilisation abusive ou erronée, un accident, un incendie, une catastrophe naturelle, un usage commercial du Produit, une interruption de l'alimentation électrique ou en gaz du Produit ; dommages résultant d'une modification, d'une installation ou utilisation incorrecte du Produit ; dommages résultant de la réparation ou du remplacement incorrect ou sans autorisation de tout composant ou pièce du Produit ; dommages résultant d'un service après vente assuré par quiconque autre qu'un agent ou représentant agréé du réseau commercial de Hestan ; usure normale et détérioration ; dommages résultant de l'exposition du Produit à une atmosphère corrosive contenant du chlore, du fluor ou toute autre substance chimique nuisible ; dommages résultant de l'absence d'un entretien normal du Produit ; dommages dont HCC n'a pas été avisé ou qui se sont produits après expiration de la Période de garantie limitée ; dommages accessoires et indirects causés par tout vice de matière ou de fabrication.

ARBITRAGE :

La présente Garantie limitée est régie par la Loi fédérale sur l'arbitrage. Tout litige opposant l'Acheteur à HCC et relatif au Produit ou à la présente Garantie limitée doit être résolu par voie d'arbitrage exécutoire exclusivement sur une base individuelle avec l'Acheteur. L'arbitrage sera effectué par l'Association américaine d'arbitrage (American Arbitration Association, « AAA ») conformément à ses règles d'arbitrage pour la protection du consommateur ou par JAMS. L'audience d'arbitrage se tiendra devant un arbitre nommé par l'AAA ou par JAMS. L'arbitre ne devra procéder à aucun arbitrage collectif et l'Acheteur devra renoncer à tout recours contre HCC en qualité de représentant de tiers.

LIMITATION DE RESPONSABILITÉ :

La présente Garantie limitée constitue l'accord définitif, intégral et exclusif entre HCC et l'Acheteur eu égard au Produit.

IL N'EXISTE AUCUNE GARANTIE EXPRESSE AUTRE QUE CELLES ÉNUMÉRÉES ET DÉCRITES PLUS HAUT. AUCUNE GARANTIE EXPRESSE OU IMPLICITE, Y COMPRIS SANS S'Y LIMITER, TOUTE GARANTIE IMPLICITE DE QUALITÉ MARCHANDE OU D'ADAPTATION À UN USAGE PARTICULIER NE S'APPLIQUERA APRÈS L'EXPIRATION DE LA PÉRIODE DE GARANTIE LIMITÉE INDIQUÉE PLUS HAUT. AUCUNE GARANTIE EXPRESSE APPLICABLE À CE PRODUIT OFFERTE PAR UNE PERSONNE OU ENTREPRISE QUELCONQUE N'ENGAGERA HCC. HCC NE GARANTIT EN AUCUNE FAÇON L'ADAPTATION DU PRODUIT À UN USAGE PARTICULIER, SAUF DISPOSITION CONTRAIRE DE LA LÉGISLATION APPLICABLE.

HCC N'ASSUME AUCUNE RESPONSABILITÉ POUR TOUT MANQUE À GAGNER, IMPOSSIBILITÉ DE RÉALISER DES ÉCONOMIES OU AUTRES AVANTAGES NI POUR TOUT AUTRE DOMMAGE PARTICULIER, DIRECT OU INDIRECT CAUSÉ PAR L'UTILISATION, L'USAGE ABUSIF OU L'INCAPACITÉ D'UTILISER CE PRODUIT, QUELLE QUE SOIT LA THÉORIE JURIDIQUE SUR LAQUELLE LA DEMANDE SE FONDE, MÊME SI HCC EST INFORMÉ DE LA POSSIBILITÉ DE TELS DOMMAGES. AUCUN RECOURS À L'ENCONTRE DE HCC NE SERA SUPÉRIEUR AU PRIX D'ACHAT DU PRODUIT.

(Suite à la page suivante)

GARANTIE LIMITÉE (suite)



SANS LIMITER LA PORTÉE DE CE QUI PRÉCÈDE, VOUS ASSUMEZ TOUS LES RISQUES ET LA RESPONSABILITÉ DES PERTES, DOMMAGES OU BLESSURES ET DÉGÂTS MATÉRIELS SUBIS PAR VOUS-MÊMES ET DES TIERS RÉSULTANT DE L'UTILISATION, DE L'USAGE ABUSIF OU DE L'INCAPACITÉ D'UTILISER CE PRODUIT, QUI NE SONT PAS CAUSÉS DIRECTEMENT PAR LA NÉGLIGENCE DE HCC. LA PRÉSENTE GARANTIE LIMITÉE FORMULE VOTRE RECOURS EXCLUSIF.

Aucune déclaration ni aucun engagement verbal ou écrit de la part de qui que ce soit, y compris sans s'y limiter un employé, représentant ou agent de HCC, ne créera une garantie ni élargira en quoi que ce soit la portée de la présente Garantie limitée expresse d'un an. En cas de divergence entre la présente garantie limitée et tout autre accord ou déclaration lié ou relatif au Produit, ce sera cette Garantie qui s'applique. Si une disposition quelconque de la présente Garantie limitée est déclarée invalide ou inapplicable, elle sera réputée modifiée dans la limite nécessaire pour la rendre applicable et le reste de la Garantie limitée restera valide et applicable selon ses modalités.

INTERACTION ENTRE CERTAINES LOIS ET LA PRÉSENTE GARANTIE LIMITÉE :

Il se peut que certains États, Provinces et Territoires n'autorisent pas la limitation de durée d'une garantie implicite ni l'exclusion ou la restriction des dommages directs ou indirects. Les limitations ou exclusions qui précèdent peuvent par conséquent ne pas être applicables. Il se peut que certains États, Provinces ou Territoires prévoient d'autres droits et recours en matière de garantie. Les dispositions de la présente Garantie limitée n'ont pas pour but de limiter, modifier, restreindre, nier ni exclure les conditions obligatoires de garantie prévues par des États, Provinces ou Territoires, y compris certaines garanties implicites. La présente garantie confère des droits précis, auxquels peuvent s'en ajouter d'autres qui varient selon le lieu.

Toute question relative à la présente Garantie limitée peut être adressée à
Hestan Commercial Products au (888) 905-7463

FR

RETAIN THIS MANUAL FOR FUTURE REFERENCE
CONSERVEZ CE MANUEL POUR UNE RÉFÉRENCE FUTURE



Hestan Commercial Corporation

3375 E. La Palma Ave
Anaheim, CA 92806
(888) 905-7463