



30-INCH MICROWAVE- IN-A-DRAWER

DMR30M977W | MODERNIST COLLECTION



AVAILABLE MODELS

DMR30M977WS 30" Stainless Steel.

DMR30M977WM 30" Graphite Stainless

FEATURES & BENEFITS

- Drawer Configuration
- Automatic Drawer Opening
- Control Lock
- Beverage Center
- Sensor Cooking

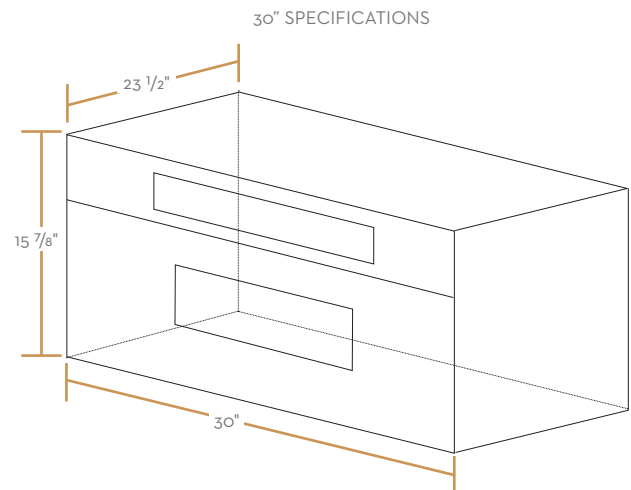
30" SPECIFICATIONS:

WIDTH	30"
HEIGHT	15 7/8"
DEPTH	23 1/2"
CAPACITY	1.2 FT ³
POWER	950W

ACCESSORIES

FLUSH INSTALLATION KIT (GRAPHITE STAINLESS)	SKU - ADMRF30M
FLUSH INSTALLATION KIT (STAINLESS STEEL)	SKU - ADMRF30S

Shipping Weight: 121 lbs. (all models)



30" STANDARD INSTALLATION DIMENSIONS

30" DRAWER MEASUREMENTS

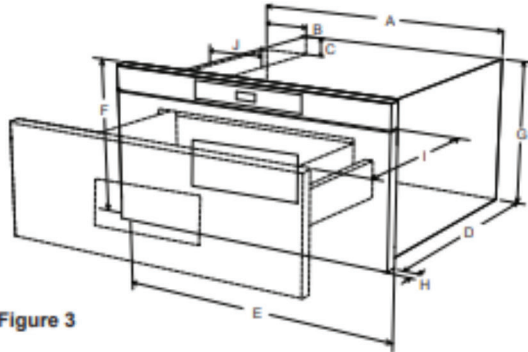


Figure 3

- A. 21 5/8"
- B. 4 11/16"
- C. 1 3/4"
- D. 21 7/8"
- E. 30"
- F. 15 7/8"
- G. 14 19/32"
- H. 1 9/64" door thickness
- I. 15" auto drawer opening
- J. 4"

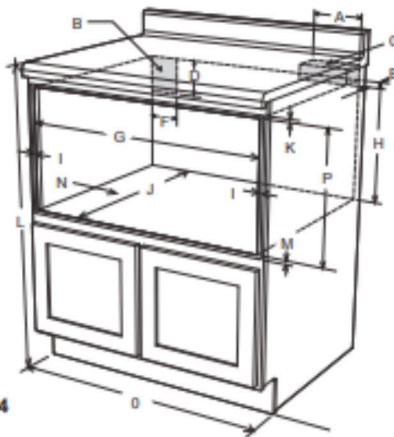


Figure 4

- A. 6"
- B. Electrical outlet location
- C. Anti-tip block
- D. 5"
- E. 3 1/2"
- F. 4"
- G. 22 1/8" minimum
28 7/16" maximum
- H. 14 13/16" to bottom
of anti-tip block
- I. Allow 23/32" minimum overlap
- J. 23 1/2" minimum depth
- K. Allow 3/16" minimum overlap
- L. 36" nominal countertop height
- M. Allow 1/8" minimum overlap
- N. Floor must support 100 lbs.
- O. *30" cabinet minimum
- P. 15 9/16" opening

NOTE: Open Top
Cabinet illustrated

Figures 3, 4 and 5 contain the appliance and cutout measurements for reference when planning the drawer's location.

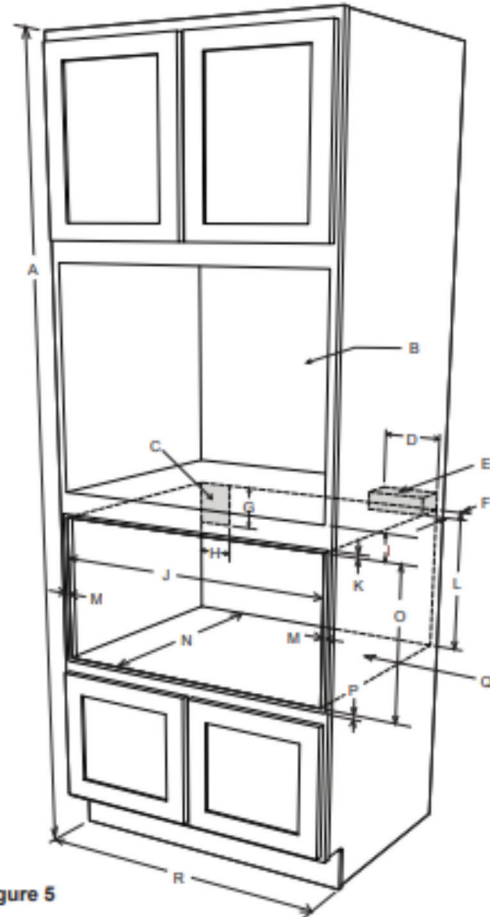


Figure 5

- A. 84" nominal wall cabinet
- B. Optional wall oven cutout illustrated in sketch
- C. Electrical outlet location
- D. 6"
- E. Anti-tip block
- F. 3 1/2"
- G. 5"
- H. 4"
- I. 2" minimum
- J. 22 1/8" minimum
28 7/16" maximum
- K. Allow 3/16" overlap
- L. 14 13/16" to bottom
of anti-tip block
- M. Allow 23/32" minimum overlap
- N. 23 1/2" minimum depth
- O. 15 9/16" opening
- P. Allow 1/8" minimum overlap
- Q. Floor must support 100 lbs.
- R. 30" cabinet minimum

30" FLUSH MOUNT INSTALLATION DIMENSIONS

1. Prepare cabinet opening as shown in Figures 1, 2A, 2B, 2C.

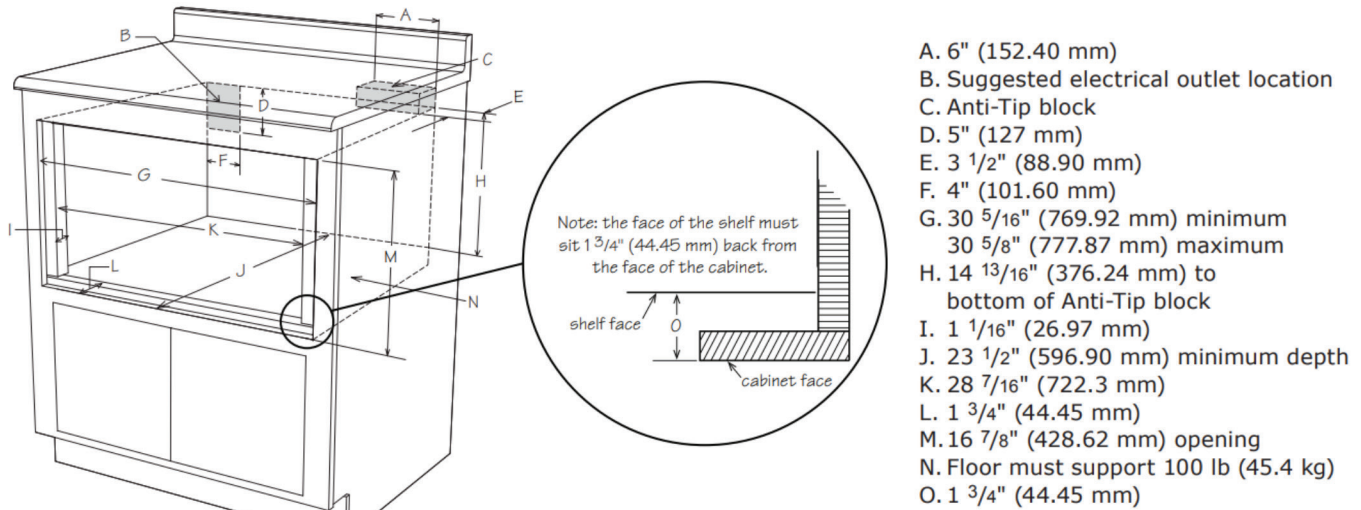


Figure 1

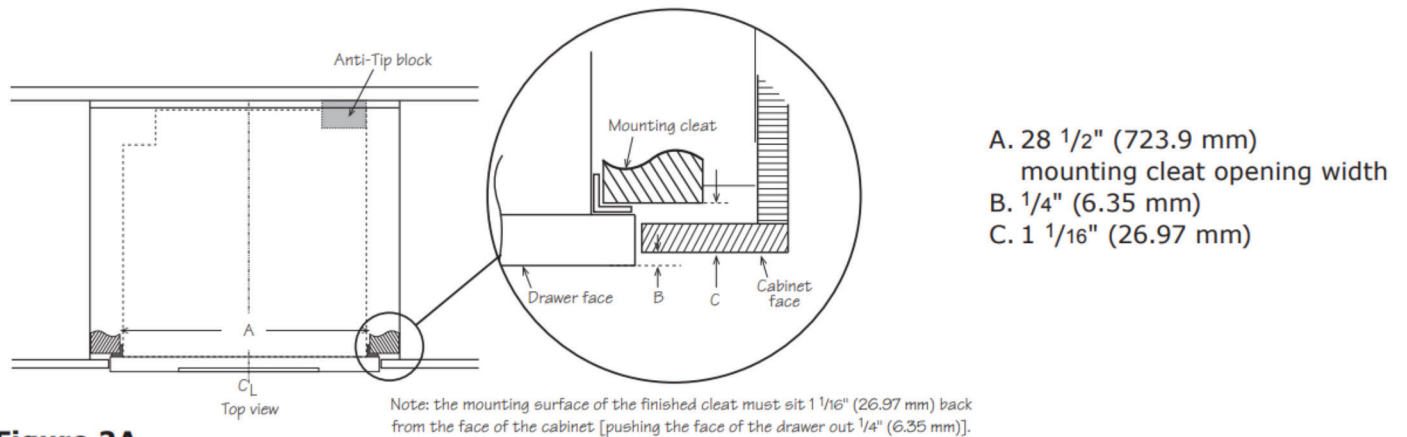


Figure 2A