
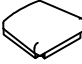







ASSEMBLY INSTRUCTION INSTRUCCIONES

2326S DINING CHAIR 2326S SILLA DE COMEDOR

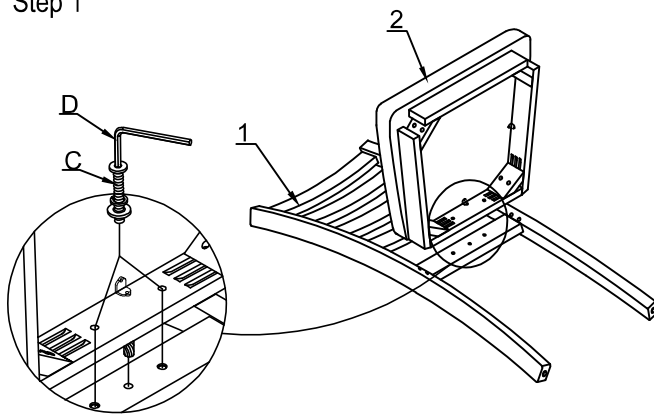
PARTS LIST LISTA DE PARTES

1		1 PC/PIEZA
2		1 PC/PIEZA
3		2 PCS/PIEZAS

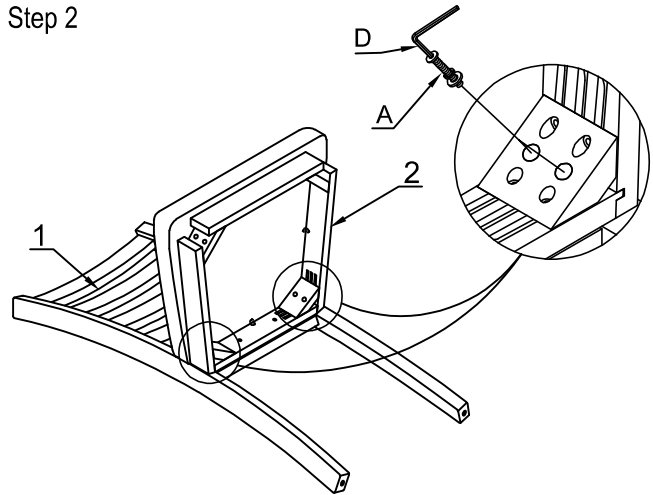
A		Bolt Ø1/4"×20×3-1/8" (chair back leg corner)	4 PCS/PIEZAS
B		Bolt Ø1/4"×20×2-3/8" (front leg)	4 PCS/PIEZAS
C		Bolt Ø1/4"×20×1-1/2" (chair back center)	2 PCS/PIEZAS
D		Allen key 4*60mm	1 PC/PIEZA

ASSEMBLY INSTRUCTION INSTRUCCIONES

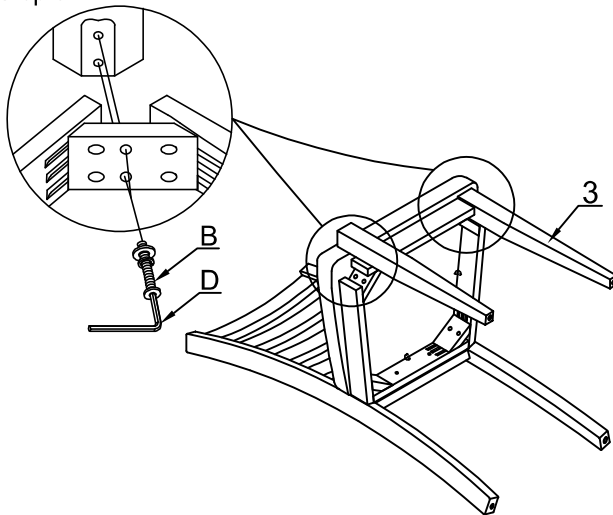
Step 1



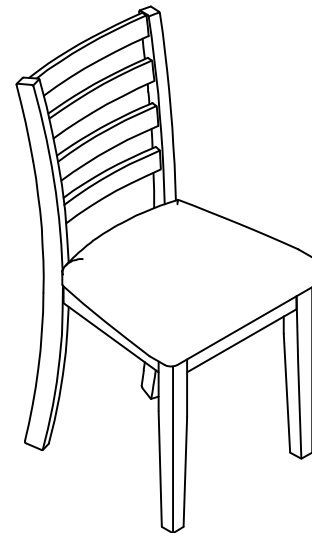
Step 2



Step 3



Step 4



DO NOT TIGHTEN ALL BOLTS UNTIL COMPLETELY ASSEMBLED.
NO APRETER LOS TORNILLOS HASTA ARMAR COMPLETAMENTE.