

DA 6881

30-inch downdraft ventilation hood
optional external or internal blower for maximum versatility.



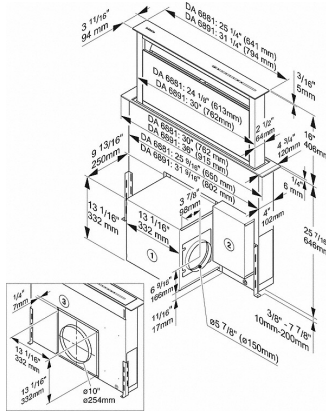
- Striking design - telescopic canopy 30 (762) inches wide.
- Practical - 15-minute automatic blower run-on
- Suitable for every home - vented or recirculating
- For perfect functionality - accessories for proper venting

EAN: 4002515823965 / material number: 10595900

Construction type	
Downdraft extractor system	•
Design	
Color	Stainless steel
Edge extraction	•
Operating modes	
Recirculated mode	Convertible
OdorFree charcoal filter (order separately)	DKF18-900
Control panel	
Electronic controls	•
Light-touch controls	•
Power levels (number excl. Intensive)	3
Intensive setting	•
Run-on time 15 mins.	•
Hood in Motion	•
Filter system	
Dishwasher-safe grease filters	2
Lighting	
Light intensity in Lx	280
Color temperature in K	4,000
Safety	
Safety shut-off	•
Single-ply safety glass (ESG)	•
Technical data	
Overall hood height for vented and external in in.(mm)	41 1/2 (1,052)
Overall hood height for recirculation in in.(mm)	41 1/2 (1,052)
Canopy width in in.(mm)	30 (762)
Height of hood canopy in in.(mm)	25 1/2 (646)
Depth of hood canopy in in.(mm)	4 3/4 (120)
Net weight in lbs. (kg)	52 (23.5)
Length of electrical wire in ft (m)	4 (1.5)
Standard plug fitted	•
Total connected load in kW	0.35
Voltage in V	120
Fuse rating in A	10
Number of phases	1
Installation notes	
Vent connection at top,rear,side,bottom	•
Diameter of vent connection in in.(mm)	6 (150)
Standard accessories	
Reducer from 150 to 125 mm Ø	•

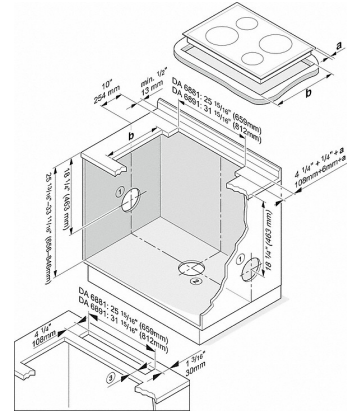
DA 6881

30-inch downdraft ventilation hood
optional external or internal blower for maximum versatility.



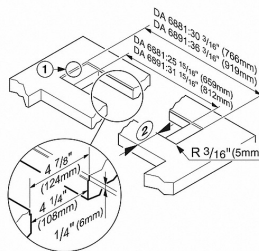
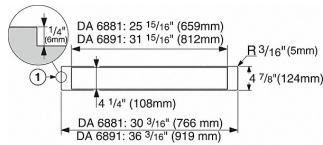
DA 6881, DA 6891 Downdraft (Installation drawing)

- 1) The DAG 600 motor can be rotated for installation, so exhaust air can be extracted upwards, left, right or downwards.
- 2) The connection box can be positioned anywhere in the cabinet. The DA 6891 can be mounted to the left, right or behind the fan.
- 3) Cover for use with the DAG 1000 external fan. The DAG 600 or the cover for the DAG 1000 fan can also be installed in the same position at the back of the appliance.



DA 6881, DA 6891 Downdraft (Installation drawing)

- 1) Exhaust air can be extracted to the left or right
- 2) Exhaust air extraction downwards
 - a) Hob overlap
 - b) Hob cut-out
- 3) If a downdraft system and a hob are installed in separate cut-outs it is important to ensure sufficient stability of ridges. If the appliances is installed behind the downdraft system it must be ensured that there is adequate space.



DA 6881, DA 6891 Downdraft (Installation drawing)

- 1) Stepped cut-out for granite or marble worktops
- 2) If downdraft system and hob are installed in separate cut-outs it is important to ensure sufficient stability of ridges.