

DGC 7585

30" Combi-Steam Oven XXL with DirectWater plus
for steam cooking, baking, roasting with roast probe + menu cooking.



- Touch display with proximity sensor – M Touch S + MotionReact
- Perfect results – DualSteam technology
- Crispy on the outside, succulent on the inside – Combi-Steam
- Miele@home – network-enabled WiFi appliance + Miele Mix & Match
- Easy cleaning – PerfectClean stainless steel oven compartment

EAN: 4002516487876 / Material number: 11875850 / Old Material Number: 23758543USA

Construction type and design	
Combi-Steam Ovens	•
Combination steam oven	•
ContourLine	•
Appliance color	Edelstahl/CleanSteel
Appliance color	Clean Touch Steel
Convenience features	
Rapid PreHeat	•
Preheating	•
External steam generation	•
Climate sensor	•
Individual humidity settings in combination cooking	•
Menu cooking without transfer of taste	•
Miele Mix & Match	•
Roast probe	con cable
Roast probe	With cable
Automatic programs with individual setting of the cooking result	•
Keep-warm function	•
Crisp function	•
Operating modes	
Defrost	•
MasterChef automatic programs	•
Country-specific automatic programs	•
Combi cooking	•
Combi Steam with Convection Bake	•
Combi Steam with Surround	•
Combi Steam with Maxi Broil	•
Steam cooking	•
Sous-vide	•
Reheating	•
Roast with moisture	•
Broiling operating modes	•
Maxi Broil	•
Broil	•
Convection Bake	•
Convection Roast	•
Intensive Bake	•
Cake plus	•
Surround	•
Browning	•
Bake	•
Convection Roast	•
Warm-up cookware	•
Special modes	•
User convenience	
Networking with Miele@home	•
Display	M Touch S
Display	M Touch S
Clear text on control panel	•

DGC 7585

30" Combi-Steam Oven XXL with DirectWater plus

for steam cooking, baking, roasting with roast probe + menu cooking.



EAN: 4002516487876 / Material number: 11875850 / Old Material Number: 23758543USA

MotionReact: Light comes on when movement is detected	•
MotionReact: Display comes on when movement is detected	•
MotionReact: Audible signal to acknowledge when movement is detected	•
MotionReact: Detection of cabinet fronts	•
SoftOpen	•
SoftClose	•
ComfortSwivel handle	•
MultiLingua	•
MyMiele	•
Show me how	•
Motorized lift-up control panel with SoftClose	•
Quantity-independent cooking	•
Steam cooking on up to 4 levels at the same time	•
Automatic menu cooking	•
Steam reduction before end of programme	•
Timers	•
Time of day display	•
Date display	•
Minute minder	•
Programming start of cooking duration	•
Programming end of cooking duration	•
Programmable cooking time	•
Actual temperature display	•
Desired temperature display	•
Audible signal when desired temperature is reached	•
Default temperature	•
Favorites	•
Sabbath program	•
Individual settings	•
MotionReact DG	•
Cleaning convenience	
Clean Touch Steel surface	•
Stainless-steel cavity with linen surface structure	•
Foldable broil heater element	•
External steam generator	•
Floor heater element for condensate reduction	•
Maintenance programs	•
Soak program	•
Rinse program	•
Cavity drying program	•
Quick-release side racks	•
Removable side racks	•
Automatic descaling	•
Descaling	•
CleanGlass door	•
Steam technology and Water supply	
MultiSteam	•
DirectWater plus	•
Drain filter	•

DGC 7585

30" Combi-Steam Oven XXL with DirectWater plus

for steam cooking, baking, roasting with roast probe + menu cooking.

EAN: 4002516487876 / Material number: 11875850 / Old Material Number: 23758543USA

Safety	
Appliance cooling system and cool touch front	•
Safety cut-out	•
System lock	•
Vapor cooling system	•
Sensor lock	•
Technical data	
No. of rack levels	4
Labeling of rack levels	•
Door hinge side	Bottom
Door hinge side	unten
Oven interior lighting	BrilliantLight
Niche width min. in inches (mm)	28 5/8 (724)
Niche width min. in inches (mm)	724
Niche width max. in inches (mm)	28 5/8 (724)
Niche width max. in inches (mm)	724
Niche height min. in inches (mm)	24 1/8 (610)
Niche height min. in inches (mm)	610
Niche height max. in inches (mm)	24 1/4 (615)
Niche height max. in inches (mm)	615
Niche depth in in. (mm)	610
Niche depth in in. (mm)	24 1/8 (610)
Appliance width in in. (mm)	29 7/8 (757)
Appliance width in in. (mm)	757
Appliance height in in. (mm)	24 1/2 (620)
Appliance height in in. (mm)	619.5
Appliance depth in in. (mm)	22 5/8 (573)
Appliance depth in in. (mm)	573
Weight in lbs. (kg)	52.30
Weight in lbs. (kg)	116 (52.3)
Total connected load in kW	2.80-3.70
Power Rating in V	0
Usable voltage range in V	240/208
Frequency in Hz	60
Number of phases	2
Fuse rating in A	20
Connection wire with plug	•
Length of power cord in in. (m)	2
Length of water inlet hose in ft. (m)	3.0
Length of water inlet hose in ft. (m)	9 (3.0)
Length of water drain hose in ft. (m)	3.0
Length of water drain hose in ft. (m)	9 (3.0)
Replacing bulbs	Kundendienst
Accessories supplied	
PerfectClean universal baking tray	1
PerfectClean baking and roasting rack	1
FlexiClip telescopic runners with PerfectClean (pair)	1
Removable side racks with PerfectClean (pair)	1
Perforated stainless-steel cooking container	1
Unperforated stainless-steel cooking containers	1
Descaling tablets	2

DGC 7585

30" Combi-Steam Oven XXL with DirectWater plus

for steam cooking, baking, roasting with roast probe + menu cooking.



EAN: 4002516487876 / Material number: 11875850 / Old Material Number: 23758543USA

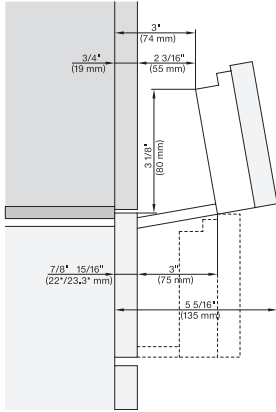
Available display languages

Available display languages via MultiLingua

bahasa malaysia, dansk,
deutsch, english, español,
français, hrvatski, italiano,
magyar, nederlands,
norsk, polski, portugês,
русский, română,
slovenčina, slovenščina,
srpski, suomi, svenska,
türkçe, українська, čeština,
ελληνικά, , , , ,

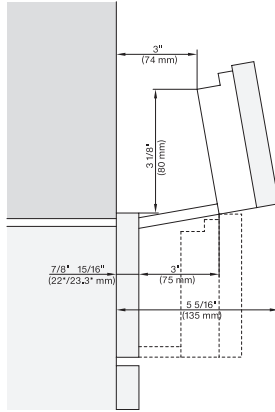
DGC 7585

30" Combi-Steam Oven XXL with DirectWater plus
for steam cooking, baking, roasting with roast probe + menu cooking.



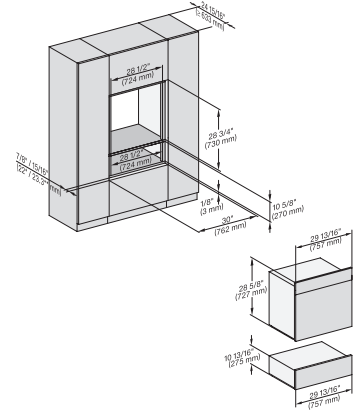
DGC 6x0x-1 + EBA 6808, DGC 6x6x (AM) + EBA 6808, DGC 7xxx(EBA 784/68) installation drawing, Flush inset, NA

7/8" – 22" mm – Glas, 15/16" – 23.3** mm – Edelstahl

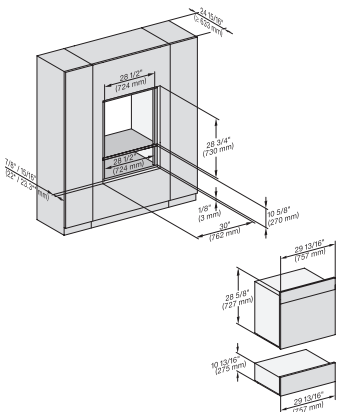


DGC 6x0x-1 + EBA 6808, DGC 6x6x (AM) + EBA 6808, DGC 7xxx(X) + EBA 784/68 installation drawing, Proud, NA

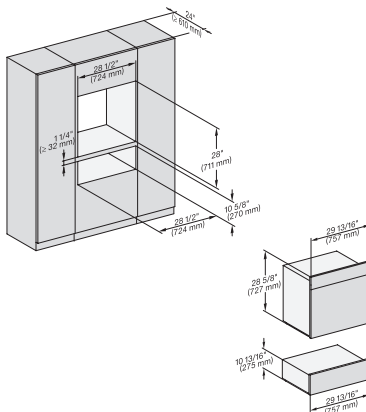
7/8" – 22" mm – Glas, 15/16" – 23.3** mm – Edelstahl



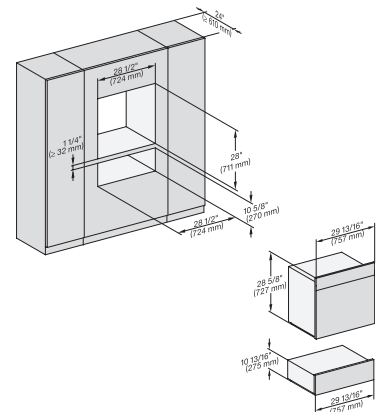
H 6x80 BP, ESW 6x80, H 6x80-2BP, DGC 7x8x, H7x8x, ESW 7x80, H 2x8x Fitting Combi, Installation drawing, Flush inset, NA



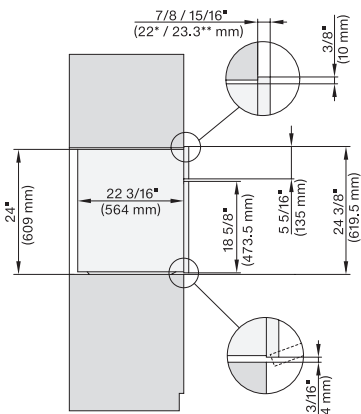
H 6x80 BP, ESW 6x80, H 6x80-2BP, DGC 7x8x, H 7x80 BP/BPX, ESW 7x80 Installation drawing, Flush inset, NA



H6x80BP, ESW6x80, H6x80-2BP, DGC 7xxx, H2x80BP, H7x80BPX, ESW 7x80, Fitting Combi, Installation drawing, Proud, NA

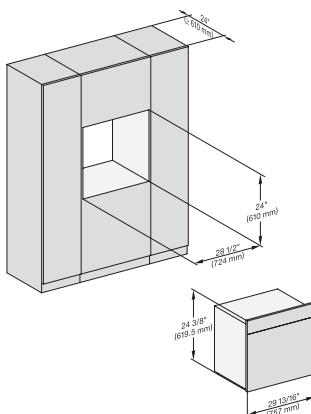


H 6x80 BP, ESW 6x80, H 6x80-2BP, NA7000 Fitting Combi wide front, Installation drawing, Proud, NA

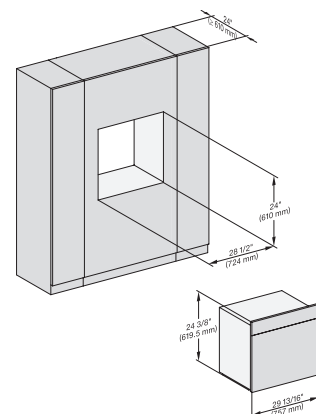


DGC 7x8x, side view, 30 Zoll, Proud

7/8" – 22" mm – Glas, 15/16" – 23.3** mm – Stainless steel



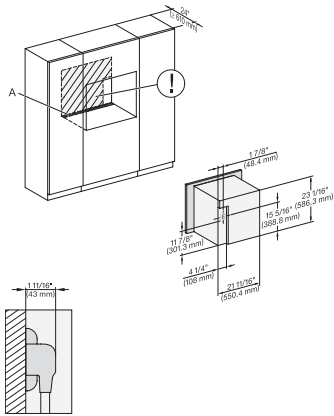
DGC 7x8x(X), Einbau, 30 Zoll, Proud, XXL



DGC 7x8x, Einbau, 30 Zoll, Proud, wide front, XXL

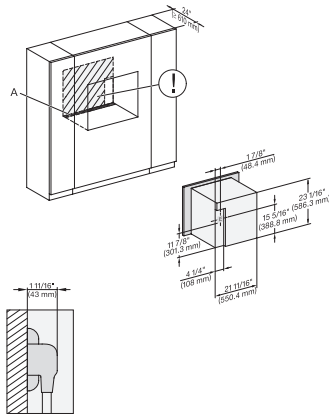
DGC 7585

30" Combi-Steam Oven XXL with DirectWater plus
for steam cooking, baking, roasting with roast probe + menu cooking.



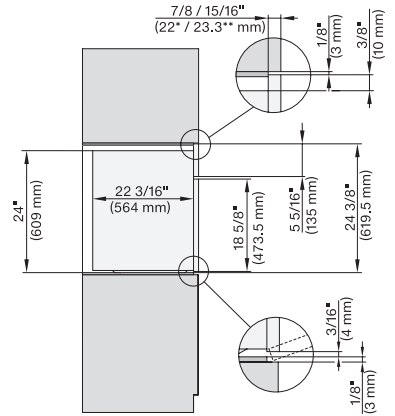
DGC786x(+EBA6808), DGC7x8x, Installation, 30 Zoll, Proud, XXL,

A – Cut-out (4" x 28" / 100 mm x 720 mm) in the bottom of the cabinet for power cord and ventilation. – Electrical and water supplies are recommended to be placed in adjacent cabinetry. Additional cabinet depth is required when placing the electrical and water supplies behind the appliance. E = Electric connection



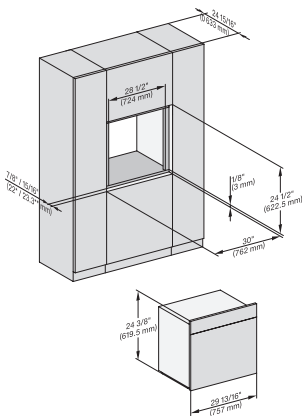
DGC786x(+EBA7848), DGC7x8x, Installation, 30 Zoll, Proud, wide front, XXL,

A – Cut-out (4" x 28" / 100 mm x 720 mm) in the bottom of the cabinet for power cord and ventilation. – Electrical and water supplies are recommended to be placed in adjacent cabinetry. Additional cabinet depth is required when placing the electrical and water supplies behind the appliance. E = Electric connection



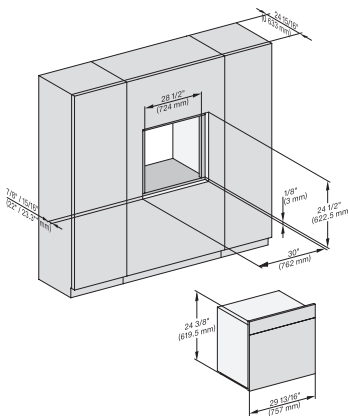
DGC7x8x(X), side view, 30 Zoll, Flush inset, XXL

7/8" – 22* mm – Glass, 15/16" – 23.3** mm – Stainless steel



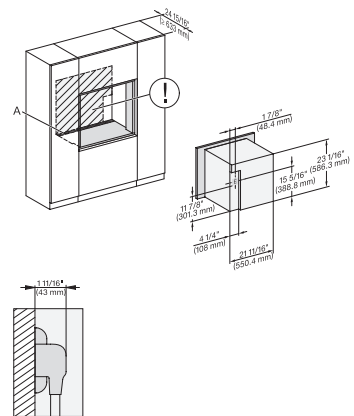
DGC7x8x(X), Einbau, 30 Zoll, Flush inset, XXL

7/8" – 22* mm – Glass, 15/16" – 23.3** mm – Stainless steel



DGC7x8x(X), Einbau, 30 Zoll, Flush inset, wide front, XXL

7/8" – 22* mm – Glass, 15/16" – 23.3** mm – Stainless steel

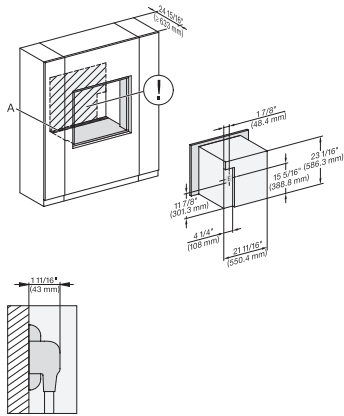


DGC7x8x(X)+EBA6808, Installation, 30 Zoll, Flush inset, XXL

A – Cut-out (4" x 28" / 100 mm x 720 mm) in the bottom of the cabinet for power cord and ventilation. – Electrical and water supplies are recommended to be placed in adjacent cabinetry. Additional cabinet depth is required when placing the electrical and water supplies behind the appliance. E = Electric connection

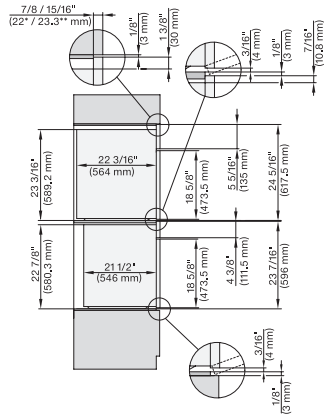
DGC 7585

30" Combi-Steam Oven XXL with DirectWater plus
for steam cooking, baking, roasting with roast probe + menu cooking.



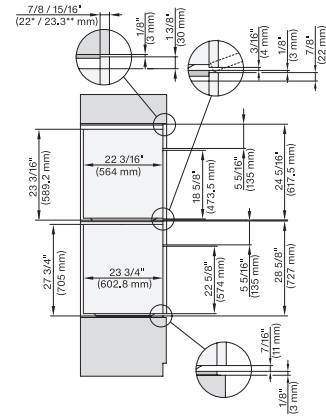
DGC7xxx(+EBA7848), Installation, 30 Zoll, Flush inset, wide front, XXL

A – Cut-out (4" x 28" / 100 mm x 720 mm) in the bottom of the cabinet for power cord and ventilation. – Electrical and water supplies are recommended to be placed in adjacent cabinetry. Additional cabinet depth is required when placing the electrical and water supplies behind the appliance., E = Electric connection



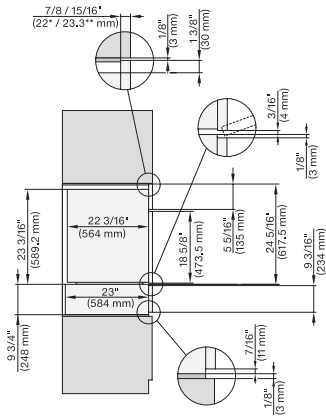
DGC7x8x, H7x6x+EBA7868, side view, 30 Zoll, Flush inset, combi, XXL, 650S

7/8" – 22* mm – Glass, 15/16" – 23.3** mm – Stainless steel



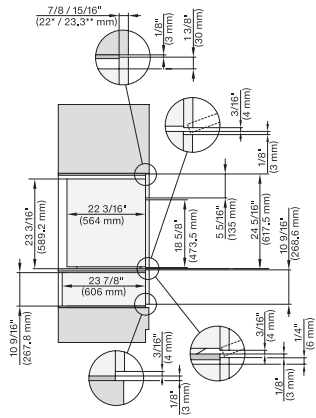
DGC7x8x, H2x80BP, H7x8xBP(X), side view, 30 Zoll, Flush inset, combi, XXL 650

7/8" – 22* mm – Glass, 15/16" – 23.3** mm – Stainless steel



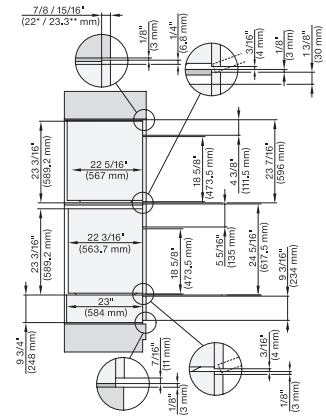
DGC7x8x, ESW7x70, EVS7670, side view, 30 Zoll, Flush inset, combi, XXL

7/8" – 22* mm – Glass, 15/16" – 23.3** mm – Stainless steel



DGC7x8x, ESW7x80, side view, 30 Zoll, Flush inset, combi, XXL

7/8" – 22* mm – Glass, 15/16" – 23.3** mm – Stainless steel

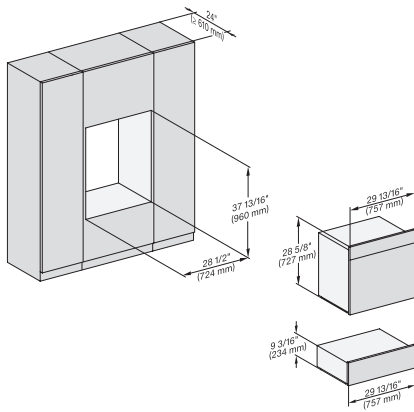


DGC786x+EBA7868, DGC7x8x, ESW7x70, EVS7670, side view, 30 Zoll, Flush inset, combi, XXL

7/8" – 22* mm – Glass, 15/16" – 23.3** mm – Stainless steel

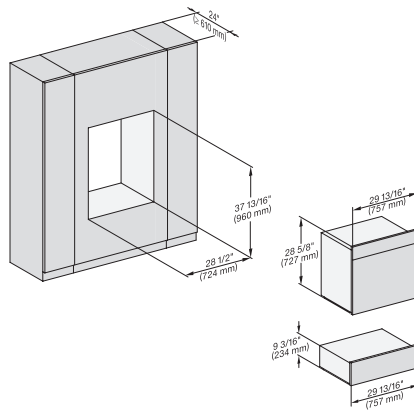
DGC 7585

30" Combi-Steam Oven XXL with DirectWater plus
for steam cooking, baking, roasting with roast probe + menu cooking.

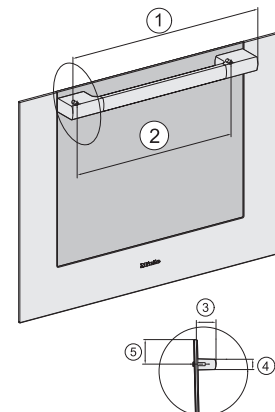


DGC7x8x, ESW7x70, EVS7670, Einbau, 30 Zoll, Proud, combi, XXL

7/8" - 22" mm - Glass, 15/16" - 23.3** mm - Stainless steel



DGX7x8x, ESW7x70, EVS7670, Einbau, 30 Zoll, Proud, combi, wide front, XXL



Handle 30" DGC73xx, DGC75xx, DGC77xx, H71xx, H75xx, H77xx, ContourLine - NA7000 - Installation drawing

21 1/8" / 536 mm, 17 1/2" / 444 mm, 2 1/2" / 64 mm, 1 3/8" / 35 mm, 1 7/16" / 37 mm