



C A F É

DISTINCT BY DESIGN

Owner's Manual





DISTINCT BY DESIGN™

Owner's Manual & Installation Instructions

Side by Side Refrigerators

Models: CSB42, CSB48

Contents

Safety Information	3	Installation Instructions	19
Using the Refrigerator		Preparing to Install the Refrigerator	19
Controls	5	Installing the Refrigerator	22
Dispenser	8	Troubleshooting	
Automatic Icemaker	10	Normal Operating Conditions	28
Water Filter	11	Troubleshooting Tips	29
Climate Controlled Drawer	12	Limited Warranty	33
TurboCool™	12	Consumer Support	
TurboFreeze™	12	MWF Performance Data Sheet	34
Storage Drawers	13	MWF Water Filter Cartridge Limited Warranty	35
Shelves	14	Consumer Support	36
Bins and Baskets	15		
WiFi	16		
Care And Cleaning	17		

Write the model and serial numbers here:

Model # _____

Serial # _____

Find these numbers on a label on the bottom of the refrigerator compartment under the lowest pan.

Française

Pour obtenir une version française de ce manuel, visitez notre site web sur cafeappliances.com.

Español

Para consultar una version en español de este manual de instrucciones, visite nuestro sitio de internet cafeappliances.com.

THANK YOU FOR MAKING CAFÉ A PART OF YOUR HOME.

We take pride in the craftsmanship, innovation and design that goes into every Café product, and we think you will too. Among other things, registration of your appliance ensures that we can deliver important product information and warranty details when you need them.

Register your Café appliance now online. Helpful websites are available in the Consumer Support section of this Owner's Manual. You may also mail in the pre-printed registration card included in the packing material.

C A F É

DISTINCT BY DESIGN™

IMPORTANT SAFETY INFORMATION

READ ALL INSTRUCTIONS BEFORE USING THE APPLIANCE

▲ WARNING To reduce the risk of fire, explosion, electric shock, or injury when using your refrigerator, follow these basic safety precautions:

- This refrigerator must be properly installed and located in accordance with the Installation Instructions before it is used.
- Unplug the refrigerator before making repairs, or cleaning.

NOTE: Power to the refrigerator cannot be disconnected by any setting on the control panel.

NOTE: Repairs must be performed by a qualified Service Professional.
- Replace all parts and panels before operating.
- Do not use an extension cord.
- Keep flammable materials and vapors away from the refrigerator.
- Do not store explosive substances such as aerosol cans with a flammable propellant in this appliance.
- To prevent suffocation and entrapment hazards to children, remove the refrigerator and freezer doors from any refrigerator before disposing of it or discontinuing its use.
- To avoid serious injury or death, children should not stand on, or play in or with the appliance.
- Children and persons with reduced physical, sensory or mental capabilities or lack of experience and knowledge can use this appliance only if they are supervised or have been given instructions on safe use and understand the hazards involved.
- This appliance is intended to be used in household and similar applications such as: staff kitchen areas in shops, offices and other working environments; farm houses; by clients in hotels, motels, bed & breakfast and other residential environments; catering and similar non-retail applications.
- Connect to potable water supply only. A cold water supply is required for automatic icemaker operation. The water pressure must be between 40 and 120 psi (275-827 kilopascals).
- Do not apply harsh cleaners to the refrigerator. Certain cleaners will damage plastic which may cause parts such as the door or door handles to detach unexpectedly. See the Care and Cleaning section for detailed instructions.

▲ CAUTION To reduce the risk of injury when using your refrigerator, follow these basic safety precautions.

- Do not clean glass shelves or covers with warm water when they are cold. Glass shelves and covers may break if exposed to sudden temperature changes or impact, such as bumping or dropping. Tempered glass is designed to shatter into many small pieces if it breaks.
- Keep fingers out of the “pinch point” areas; clearances between the doors and between the doors and cabinet are necessarily small. Be careful closing doors when children are in the area.
- Do not touch the cold surfaces in the freezer compartment when hands are damp or wet, skin may stick to these extremely cold surfaces.
- Do not refreeze frozen foods which have thawed completely.
- In refrigerators with automatic ice makers, avoid contact with the moving parts of the ejector mechanism, or with the heating element that releases the cubes. Do not place fingers or hands on the automatic ice making mechanism while the freezer is plugged in.

▲ WARNING  **FIRE OR EXPLOSION HAZARD Flammable Refrigerant**

This appliance contains isobutane refrigerant, also known as R600a, a natural gas with high environmental compatibility. However, it is also combustible. Adhere to the warnings below to reduce the risk of injury or property damage.

1. When handling, installing and operating the appliance, care should be taken to avoid damage to the refrigerant tubing.
2. Service shall only be performed by authorized service personnel. Use only manufacturer-authorized service parts.
3. Dispose of refrigerator in accordance with the Federal and Local Regulations. The flammable refrigerant and insulation material used in this product require special disposal procedures. Contact your local authorities for the environmentally safe disposal of your refrigerator.
4. Keep ventilation openings in the appliance enclosures or in the built-in structure clear of obstruction.
5. To remove frost, scrape with a plastic or wood spatula or scraper. Do not use an ice pick or a metal or sharp-edged instrument as it may puncture the freezer liner and then the flammable refrigerant tubing behind it.
6. Do not use electrical appliances inside the food storage compartment of the appliance.
7. Do not use any electrical device to defrost your freezer.

READ AND SAVE THESE INSTRUCTIONS

IMPORTANT SAFETY INFORMATION

READ ALL INSTRUCTIONS BEFORE USING THE APPLIANCE

INSTALLATION

⚠ WARNING FIRE OR EXPLOSION HAZARD

Keep flammable materials and vapors away from refrigerator. Failure to do so can result in fire, explosion, or death.

⚠ WARNING Tip Over Hazard.

These appliances are top heavy, especially with any doors open, and must be secured to prevent tipping forward which could result in death or serious injury. Read and follow the entire installation instructions for securing the appliance with the anti-tip system.

CONNECTING ELECTRICITY

⚠ WARNING ELECTRICAL SHOCK HAZARD

Plug into a grounded 3-prong outlet
Do not remove the ground prong
Do not use an adapter
Failure to follow these instructions can result in death, fire, or electrical shock.

Do not, under any circumstances, cut or remove the third (ground) prong from the power cord. For personal safety, this appliance must be properly grounded.

The power cord of this appliance is equipped with a 3-prong (grounding) plug which mates with a standard 3-prong (grounding) wall outlet to minimize the possibility of electric shock hazard from this appliance. Have the wall outlet and circuit checked by a qualified electrician to make sure the outlet is properly grounded.

Where a standard 2-prong wall outlet is encountered, it is your personal responsibility and obligation to have it replaced with a properly grounded 3-prong wall outlet. Do not use an adapter.

The refrigerator should always be plugged into its own individual electrical outlet which has a voltage rating that matches the rating plate.

A 115 Volt AC, 60 Hz, 15- or 20-amp fused, grounded electrical supply is required. This provides the best performance and also prevents overloading house wiring circuits which could cause a fire hazard from overheated wires.

Never unplug your refrigerator by pulling on the power cord. Always grip plug firmly and pull straight out from the outlet.

Immediately discontinue use of a damaged supply cord. If the supply cord is damaged, it must be replaced by a qualified service professional with an authorized service part from the manufacturer.

When moving the refrigerator away from the wall, be careful not to roll over or damage the power cord.

PROPER DISPOSAL OF YOUR OLD REFRIGERATOR

⚠ WARNING SUFFOCATION AND ENTRAPMENT HAZARD

Failure to follow these disposal instructions can result in death or serious injury

IMPORTANT: Child entrapment and suffocation are not problems of the past. Junked or abandoned refrigerators are still dangerous even if they will sit for "just a few days." If you are getting rid of your old refrigerator, please follow the instructions below to help prevent accidents.

Before You Throw Away Your Old Appliance

- Take off the refrigerator and freezer doors.
- Leave the shelves in place so that children may not easily climb inside.

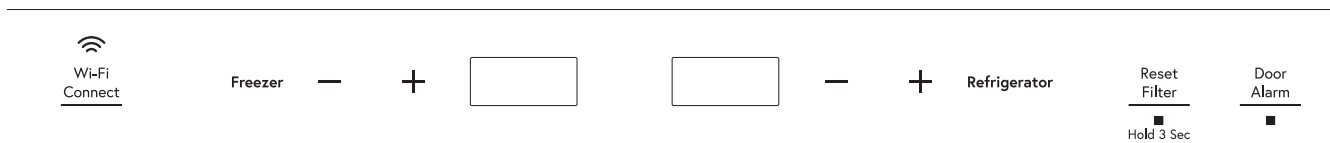
Refrigerant and Foam Disposal:

Dispose of appliance in accordance with Federal and Local Regulations. Flammable refrigerant used requires special disposal procedures. Contact your local authorities for the environmentally safe disposal of your appliance.

READ AND SAVE THESE INSTRUCTIONS

Controls

Non- Dispense Models



NOTE: The refrigerator is shipped with protective film covering the temperature controls. If this film was not removed during installation, remove it now.

The temperature controls are preset in the factory at 37°F (3°C) for the refrigerator compartment and 0°F (-18°C) for the freezer compartment. Allow 24 hours for the temperature to stabilize to the preset recommended settings.

Changing the Temperature for Non-dispense Models

To change the temperature, press and release the (+) or (-) pad to the desired temperature set point for refrigerator and freezer separately. Allow 24 hours for the refrigerator to reach the temperature you have set.

To turn **OFF** cooling system, press and hold either (+) pad until both displays show **OFF**.

Icemaker for Non-dispense Models

To turn **OFF** or **ON** the icemaker, press and hold the **Refrigerator +** and - pads at the same time and hold for 5 seconds. The temperature display will show ICE OFF or ICE ON based on the mode and then return to normal display after 5 seconds.

Sabbath Mode

To set Sabbath Mode, press and hold the **FREEZER +** and - pads at the same time and hold for 5 seconds. The temperature display will show SA for 5 seconds and then the display and lights turn off. The lights and display

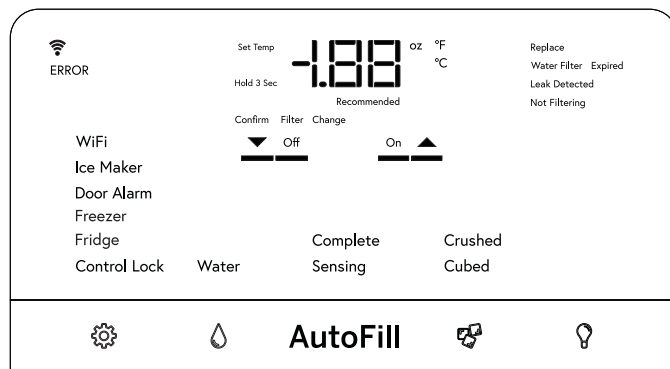
will be off until Sabbath Mode is turned off. Repeat the process to turn off Sabbath Mode. Sabbath Mode will also automatically exit this feature state after 4 calendar days or 96 hours. Temperature set point will be displayed.

Controls

Dispenser Models

We are continuously updating our software. Please reference the full owner's manual online for the latest functionality at cafeappliances.com. In Canada, visit cafeappliances.ca.

The recommended temperature settings, preset from the factory, are 37°F (3°C) for the refrigerator and 0°F (-18°C) for the freezer.



NOTE: The refrigerator is shipped with protective film covering the temperature controls. If this film was not removed during installation, remove it now.

The temperature controls are preset in the factory at 37°F (3°C) for the refrigerator compartment and 0°F (-18°C) for the freezer compartment. Allow 24 hours for the temperature to stabilize to the preset recommended settings.

To Change the Refrigerator Temperature:

Press the **Settings** button (⚙️) until “Fridge” is highlighted. Press the Up or Down arrow buttons to increase or decrease temperature settings.

To Change the Freezer Temperature:

Press the Settings button (⚙️) until “Freezer” is highlighted. Press the Up or Down arrow buttons to increase or decrease temperature settings.

The cooling system can be turned off by pressing the Settings button (⚙️) until either “Fridge” or “Freezer” is highlighted. Press and hold both the Up and Down arrow buttons for 3 seconds. “-” will be displayed when the system is off. Turning the cooling system off stops the cooling to the refrigerator, but it does not shut off the electrical power. The cooling system can be turned on by returning to the “Fridge” or “Freezer” setting and pressing the On button.

Control Settings

Settings (⚙️) - Press the Settings symbol (⚙️) to scroll through the refrigerator functions.

- **Control Lock** - Press ON to lock out ice and water dispenser and all feature and temperature buttons. Press and hold OFF for 3 seconds to deactivate.
- **Fridge** - Press Up or Down button to increase or decrease temperature from 34°F (1°C) to 42°F (6°C).
- **Freezer** - Press Up or Down button to increase or decrease temperature from -6°F (-21°C) to 5°F (-15°C).
- **Door Alarm** - Sounds an alert when the freezer or refrigerator doors have been left open. Snooze the alert by pressing any key. Press On or Off to activate or deactivate Door Alarm while an alert is not active.

- **Icemaker** - Press On or Off to start/stop Icemaker.
- **WiFi** - Press **On** to start the WiFi connection process per the instructions on Page 13. Press **Off** to disable WiFi. Note that restarting WiFi requires repeating the WiFi connection process.

Water (💧) - Press to select Ice or Water to dispense when the paddle is pressed.

AutoFill - Press to initiate automatic sensing to fill from dispenser.

Ice (🧊) - Press to select crushed or cubed ice when the paddle is pressed.

Light (💡) - Press to illuminate dispenser. Chime will accompany each press.

Fahrenheit / Celsius:

Temperature display can be switched between Fahrenheit and Celsius. Press Settings button (⚙️) to navigate to “Fridge” or “Freezer”, then press and hold the Ice button and Light button for three seconds.

Volume Control:

Alert volume can be adjusted from High to Low and Off. Press Settings button (⚙️) to navigate to “Icemaker”, then press and hold the Ice button and Light button for three seconds.

Sabbath Mode:

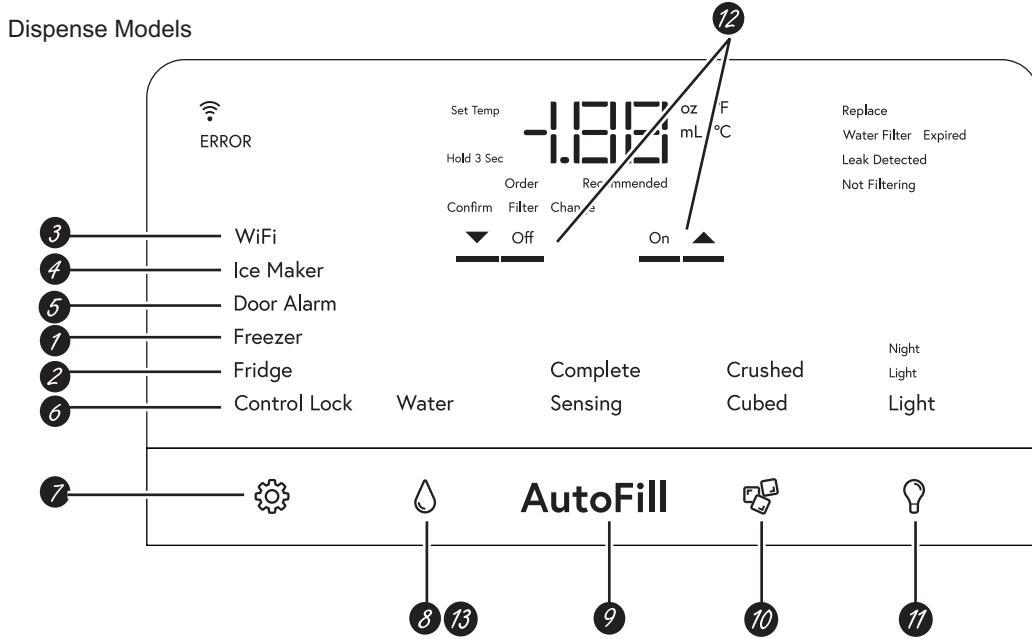
Simultaneously hold the Settings (⚙️), Water, and Light buttons for three seconds to enter and exit Sabbath mode. Display will show “SA” and mode will automatically exit this feature state after 4 calendar days or 96 hours. Temperature set point will be displayed.

Presence Sense:

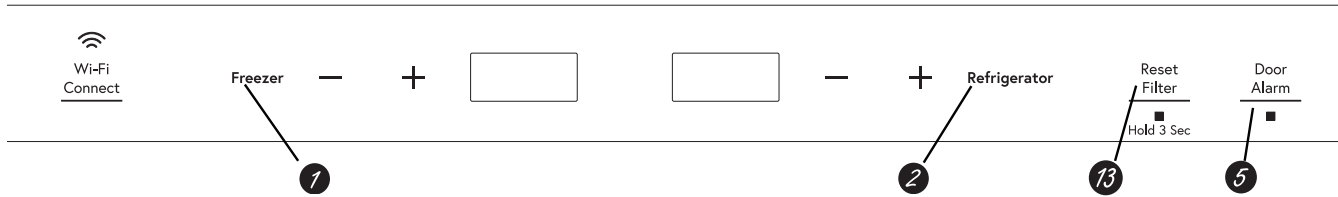
The Café has a presence detect wake up feature that detects when you walk up to the fridge. It turns on the recess light and wakes up the quick control bar (lights it up). To enable/disable the presence detect wake up feature, Navigate to “Ice Maker” in SETTINGS menu, Press & Hold 3-Sec: [WATER + LIGHT]. PS will be displayed for “Presence Sense”. Press On to turn on or Off to turn off.

Controls

Not all features available on all models.



Non-dispense Models



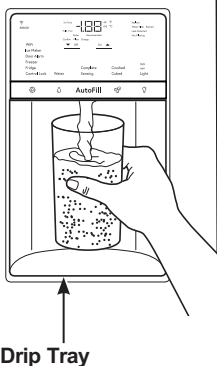
- 1 Freezer temp control**
Adjust freezer compartment temperature.
- 2 Refrigerator temp control**
Adjust refrigerator compartment temperature.
- 3 WiFi**
Turn the WiFi ON and OFF.
- 4 Icemaker**
Turn your icemaker ON and OFF
- 5 Door Alarm**
Sounds to alert when the freezer or refrigerator doors have been open for more than 2 minutes. Press **Door Alarm** and then select ON or OFF.
- 6 Lock controls**
Lock out ice and water dispenser and all feature and temperature buttons.
- 7 Settings**
Allows changing of the unit's settings.
- 8 Water**
Dispenses water when the paddle is actuated.
- 9 AutoFill**
Activates AutoFill and automatically fills your container.
- 10 Ice**
Dispenses ice when the paddle is actuated.
- 11 LED dispenser light**
LED lighting that can be turned on/off to light your dispenser.
- 12 ON/OFF**
To be used to toggle settings ON and OFF.
- 13 Reset water filter**
Press and hold the RESET FILTER Button for non-dispense models or press and hold the WATER button for dispense models to reset the filter indicator.

Ice and Water Dispenser (On some models.)

To dispense water or ice: select **Water, Crushed, or Cubed**. Press the glass gently against the top of the dispenser cradle.

The drip tray is not self-draining. To reduce water spotting, the shelf and its grille should be cleaned regularly.

If no water is dispensed when the refrigerator is first installed, there may be air in the water line system. Press the dispenser cradle for at least two minutes to remove trapped air from the water line and to fill the water system. To flush out impurities in the water line, throw away the first gallon (3.8 liters) of water.



Drip Tray

⚠ CAUTION Never put fingers or any other objects into the ice crusher discharge opening.

Locking the Dispenser:

Touch **Lock** for 3 seconds to lock the dispenser and control pad. To unlock, touch **Lock** again for 3 seconds.

Light:

This feature turns the **light** on and off. The light also comes on when the dispenser cradle is pressed. If this light burns out, contact factory service.

AutoFill (On some models)

To Use HANDS FREE AutoFill:

- Center container on Recess Dispenser Tray without activating paddle and remove hand from container
- Press **AutoFill**.

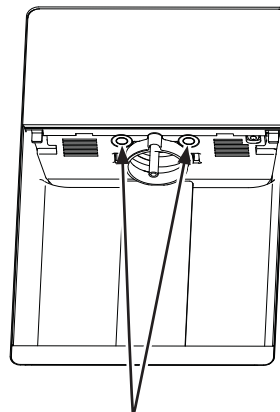
To Stop AutoFill

- Press ANY key, including **AutoFill**, to stop.

Important Facts about AutoFill

- For optimum results, use a uniform container between 4-8" (10-20 cm) tall and 2-6" (5-15 cm) wide.
- Fill level and functionality may vary on containers taller than 8" (20 cm) or wider than 6" (15 cm).
- Container volumes may vary. If "ERROR" message is given, try a different container.
- AutoFill will time out.
- Handles, straws, and garnishes on the rim of the container may cause overflowing or variation in fill volumes.
- Splashing may occur depending on the location of the container, water flow rate, container shape, and ice cubes.

- Keep sensors clean with a clean damp cloth, and do not spray liquid or cleaners directly on sensors
- AutoFill works best with household water pressure of 60 to 100 psi (414 to 689 kPa).
- Ice in container may affect fill volume. If issues are experienced, use less ice.



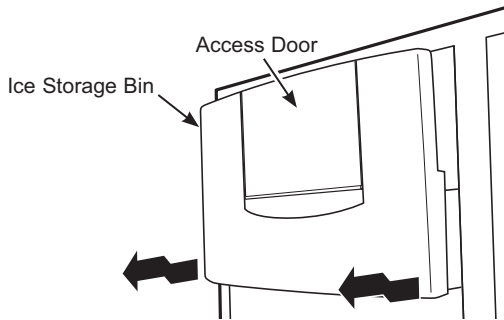
AutoFill Sensors

Ice and Water Dispenser (On some models.)

Ice Storage Drawer on Dispenser Models

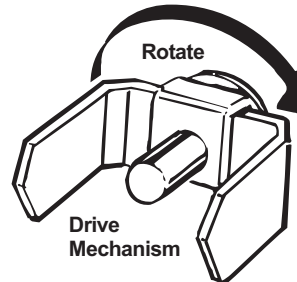
To remove:

Lift up the access door to reach the icemaker. Set the icemaker power switch to the **OFF** position. With the access door closed, support the storage bin at the bottom while slightly lifting. Pull bin straight out.



To replace:

Slide the bin back until the tab on the bin locks into the slot on the shelf. If the bin does not go all the way back, remove it and rotate the drive mechanism 1/4 turn. Then push the bin back again.

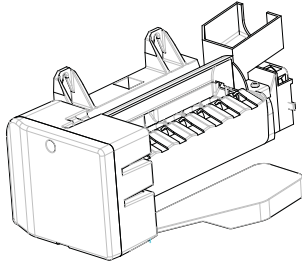


Important Facts About Your Dispenser

- Do not add ice from trays or bags to the storage bin. It may not crush or dispense well.
- Avoid overfilling glass with ice and use of narrow glasses. Backed-up ice can jam the chute or cause the door in the chute to freeze shut. If ice is blocking the chute, poke it through with a wooden spoon.
- Beverages and foods should not be quick-chilled in the ice storage bin. Cans, bottles or food packages in the storage bin may cause the icemaker or auger to jam.
- To keep dispensed ice from missing the glass, put the glass close to, but not touching, the dispenser opening.
- Some crushed ice may be dispensed even though you selected *Cubed*. This happens occasionally when a few cubes have been left in the crusher.
- After crushed ice is dispensed, some water may drip from the chute.
- Sometimes a small mound of snow will form on the door in the ice chute. This condition is normal and usually occurs when you have dispensed crushed ice repeatedly. The snow will eventually evaporate.
- The first glass of water dispensed may be warmer than the following ones. This is normal.
- Dispensed water is not ice cold. For colder water, simply add crushed ice or cubes before dispensing water.
- To eliminate drips on the drip tray, tilt the glass in slightly when dispensing water.

Automatic Icemaker

A newly-installed refrigerator may take 12–24 hours to begin making ice.



The icemaker will produce seven cubes per cycle—approximately 15 cycles in a 24-hour period, depending on freezer compartment temperature, room temperature, number of door openings and other use conditions.

If the refrigerator is operated before the water connection is made to the ice maker, set the ice maker to **OFF** with the control panel settings.

When the refrigerator has been connected to the water supply, set the ice maker to **ON** with the control panel.

For dispense models, the ice maker can be turned on and off using the ice maker option under settings on the control panel.

⚠ CAUTION

To minimize the risk of personal injury, avoid contact with the moving parts of the ejector mechanism, or with the heating element that releases the cubes. Do not place fingers or hands on the automatic ice making mechanism while the refrigerator is plugged in.

Important Facts About Your Icemaker

- You may hear a buzzing sound each time the icemaker fills with water.
- Throw away the first few batches of ice to allow the water line to clear.
- Be sure nothing interferes with the sweep of the feeler arm.
- When the bin fills to the level of the feeler arm, the icemaker will stop producing ice. It is normal for several cubes to be joined together.

- If ice is not used frequently, old ice cubes will become cloudy, taste stale and shrink.

NOTE: In homes with lower-than-average water pressure, you may hear the icemaker cycle multiple times when making one batch of ice. Icemaker works best between 40 and 120 psi (275-827 kPa).

Sabbath Mode (On some models - see Controls Section)

Sabbath Mode was designed for use on the Jewish Sabbath and Holidays. The Sabbath Mode feature makes it possible for observant Jews to refrigerate and freeze food during the duration of the holiday.

The Sabbath Mode feature can be set to override typical reactions to actions in your appliance. While in the Sabbath Mode, your appliance will still operate normally. However, the appliance will not respond to your actions.

While in the Sabbath Mode, you may notice the fan running when the door is opened; however, this is not a result of your actions. The fan will operate at random times. The defrost heater will continue to defrost the appliance and freezer and will be activated on a timer. The defrost heater will not defrost as a result of door openings or any consumer actions.

SABBATH MODE — Simultaneously hold the Settings (⚙), Water, and Light buttons for three seconds to enter and exit Sabbath mode. Display will show “SA” and mode will automatically exit this feature state after 4 calendar days or 96 hours. Temperature set point will be displayed.

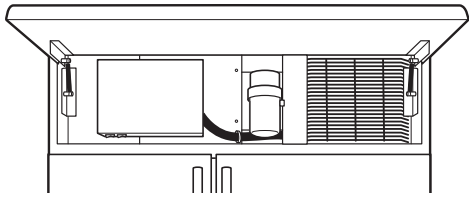
DISPLAYS, ALARMS and LIGHTS—The main temperature control, door alarms and lights will be disabled.

ICEMAKER—The icemaker will be disabled.

Water Filter Cartridge (On some models.)

Water filter cartridge

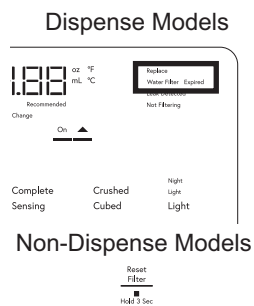
The water filter cartridge is located behind the upper cover at the top of the refrigerator.



When to replace the filter on models with a replacement indicator light

There is a replacement indicator light for the water filter cartridge on the dispenser. This light will turn orange to tell you that you need to replace the filter soon.

The filter cartridge should be replaced when the replacement indicator light turns red or if the flow of water to the dispenser or icemaker decreases.



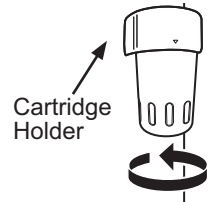
Removing the filter cartridge

If you are replacing the cartridge, first remove the old one by slowly turning it to the left. **Do not** pull down on the cartridge. A small amount of water may drip down.

NOTE: To reduce the risk associated with property damage due to water leakage, read and follow instructions before installation and use of this system. Installation and use **MUST** comply with all state and local plumbing codes.

Installing the filter cartridge

- 1 Fill the replacement cartridge with water from the tap to allow for better flow from the dispenser immediately after installation.
- 2 Line up the arrow on the cartridge and the cartridge holder. Place the top of the new cartridge up inside the holder. **Do not** push it up into the holder.
- 3 Slowly turn it to the right until the filter cartridge stops. **DO NOT OVERTIGHTEN**. As you turn the cartridge it will automatically raise itself into position. The cartridge will move about a 1/2 turn.



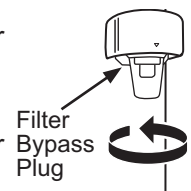
- 4 Run water from the dispenser for 1-1/2 gallons (5.7 liters) (about three minutes) to clear the system and prevent sputtering.
- 5 To reset the water filter indicator, press and hold the **RESET FILTER** button for non-dispense models. For dispense models, navigate the Settings menu to Ice Maker and then press and hold **WATER** and **ICE** for 3 seconds.

NOTE: A newly installed water filter cartridge may cause water to spurt from the dispenser.

Filter bypass plug

To reduce the risk of water damage due to water leakage, you **MUST** use the filter bypass plug in the following conditions:

- a) If you have a household reverse osmosis water system and / or another form of home water filtration system
- b) If a replacement filter is not available



To obtain a free bypass plug, visit cafeappliances.com. In Canada, visit cafeappliances.ca. The bypass plug is installed in the same way as a filter cartridge.

The icemaker will not operate without the filter or filter bypass plug.

⚠ WARNING To reduce the risk associated with choking, do not allow children under 3 years of age to have access to small parts during the installation of this product. The disposable filter cartridge should be replaced every 6 months at the rated capacity, or sooner if a noticeable reduction in flow rate occurs.

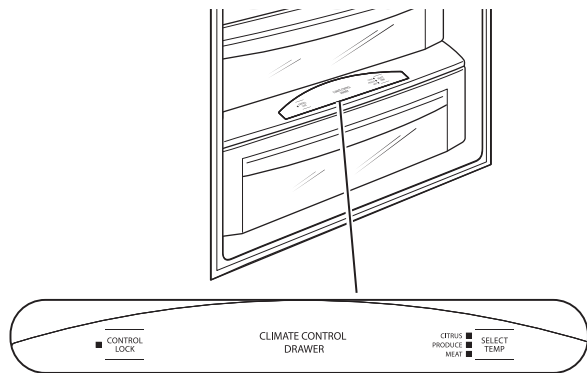
For the maximum benefit of your filtration system, GE Appliances, a Haier company, recommends the use of GE Appliances-branded filters only. Using GE Appliances-branded filters in Café refrigerators provides optimal performance and reliability. Our filters meet rigorous industry NSF standards for safety and quality that are important for products that are filtering your water. There is no assurance that brands other than GE Appliances filters meet our standards for quality, performance and reliability.

If you have questions, or to order additional filter cartridges, visit gewaterfilters.com. In Canada, visit cafeappliances.ca or consult the yellow pages for the nearest Camco Service Center.

Climate Control Drawer

The **Climate Control** feature is a system of dampers, a fan, a temperature thermistor, and a heater. The Climate Control drawer can be used to store items at their optimum temperatures.

The drawer is tightly sealed to prevent the drawer's temperature from causing temperature fluctuations in the rest of the refrigerator.



SELECT TEMP—Use this feature to store items at their optimum temperatures. See *Climate Control Chart* below.

CONTROL LOCK—Use this feature to lock the temperature controls.

NOTE: When the controls on the Climate Control drawer are turned off, the drawer will maintain temperatures at 42-48°F (5.6-8.9°C).

Climate Control Chart

NOTE: Results may vary depending on packaging, starting temperature and other food traits.

CITRUS ■
 PRODUCE ■
 MEAT ■

SELECT
 TEMP

Citrus Setting (39–47°F) (3.9-8.3°C)
Oranges, Lemons, Limes, Pineapple, Cantaloupe
Beans, Cucumbers, Tomatoes, Peppers, Eggplant, Squash
Produce Setting (31–38°F) (-0.6 - 3.3°C)
Strawberries, Raspberries, Kiwifruit, Pears, Cherries, Blackberries, Grapes, Plums, Nectarines, Apples
Asparagus, Broccoli, Corn, Mushrooms, Spinach, Cauliflower, Kale, Green Onions, Beets, Onions
Meat Setting (27–37°F) (-2.8 - 2.8°C)
Raw Meat, Fish and Poultry

Control Lock

Press and hold this pad for 3 seconds to lock the settings for the Climate Control drawer. To unlock, press and hold for another 3 seconds.



Refrigerator TurboCool™ Setting

TurboCool™ setting (on some models)

Activate TurboCool™ to quickly restore refrigerator temperature after frequent door openings.

TurboCool™ and TurboFreeze™ are APP only enabled settings that can be controlled from a tablet or smart phone using the SmarHq App.

Refrigerator TurboFreeze™ Setting

TurboFreeze™ setting (on some models)

Activate TurboFreeze™ to quickly restore freezer temperature after frequent door openings.

TurboCool™ and TurboFreeze™ are APP only enabled settings that can be controlled from a tablet or smart phone using the SmarHq App.

Storage Drawers

Sealed Deli Pan

Use the Sealed Deli Pan for the convenient storage of lunch meats and cheese, hors d'oeuvres, spreads and snacks.

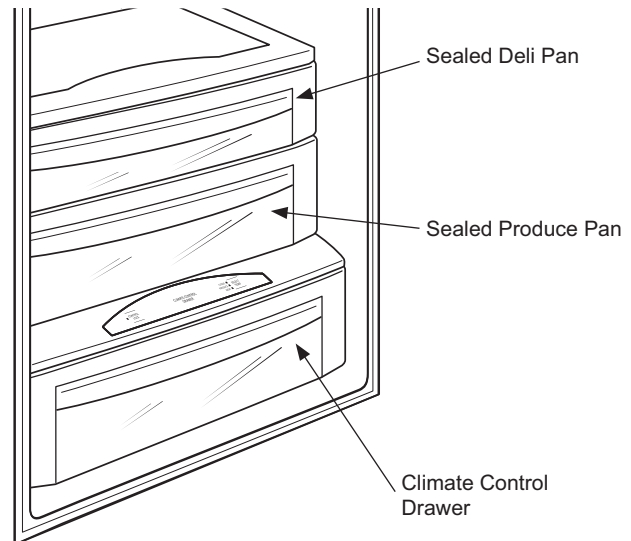
Excess water that may accumulate in the bottom of the drawers should be emptied and the drawers wiped dry.

Sealed Produce Pan

The top pan is designed to provide constant high humidity levels.

Make sure the drawers are closed completely to maintain the correct humidity level.

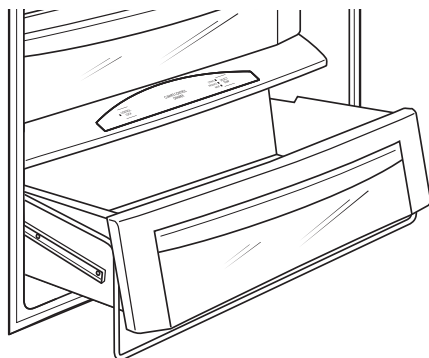
Excess water that may accumulate in the bottom of the drawers should be emptied and the drawers wiped dry.



Drawer/Pan Removal

To remove a drawer/pan:

1. Pull the drawer/pan out to the stop position.
2. Lift the front of the drawer/pan up and out of the wire holder.
3. Lift the back of the drawer/pan up and out.



To replace a drawer/pan:

1. Place the back of the drawer/pan in the wire holder, making sure the wire holder fits into the grooves on the back of the drawer/pan.
2. Lower the front of the drawer/pan into the wire holder.
3. Press firmly on the top of the drawer/pan to snap it into the wire holder.

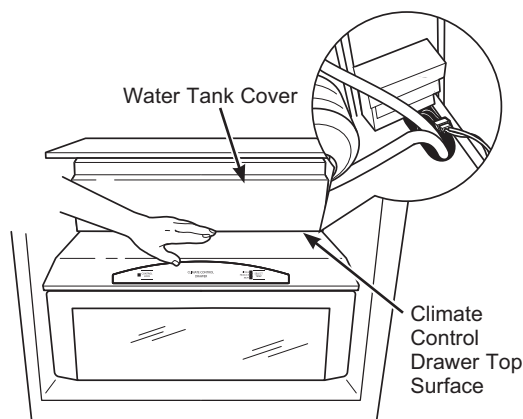
Shelves

Lighted Vegetable Drawer Shelf

The lighted vegetable drawer shelf provides lighting for the lower compartments. The lights are recessed into the shelf to illuminate the drawers below.

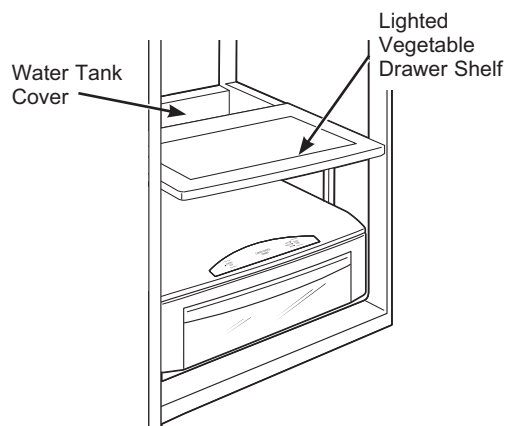
To remove shelf:

1. Remove the top drawer (see *Drawer/pan removal* section).
2. Push down gently on the back center of the climate control drawer top surface to release the bottom of the water tank cover. Pull out and down to remove the water tank cover and expose the wire harness.
3. Lift the shelf and carefully pull forward to expose the wires.
4. Unplug the shelf and carefully remove it from the refrigerator.



To replace shelf:

1. Carefully set the shelf onto the side rails, leaving the plug exposed.
2. Plug the shelf into the refrigerator.
3. Carefully slide the shelf into place.
4. Insert the water tank cover top first so that it goes up behind the gasket hanging down from the vegetable drawer shelf. Gently push the bottom of the water tank cover until the bottom snaps into the top of the Climate Control Drawer cover.
5. Replace the drawer (see *Drawer/Pan Removal* section).

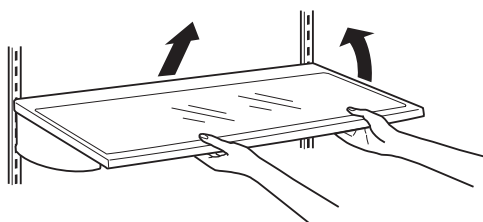


To rearrange shelves

Tempered glass shelves in the refrigerator compartment and wire shelves in the freezer compartment are adjustable, enabling you to make efficient shelf arrangements to fit your family's food storage needs.

To remove shelves:

Tilt shelf up at front, then lift it up and out of tracks on rear wall of refrigerator. Do not move side to side to avoid any potential scratching to the wall.



To replace shelves:

Select desired shelf height. With shelf front raised slightly, engage top lugs in tracks at rear of cabinet. Then lower front of shelf until it locks into position.

CAUTION Handle glass shelves carefully. Glass shelves and covers may break if exposed to impact, such as bumping or dropping. Tempered glass is designed to shatter into many small pieces if it breaks.

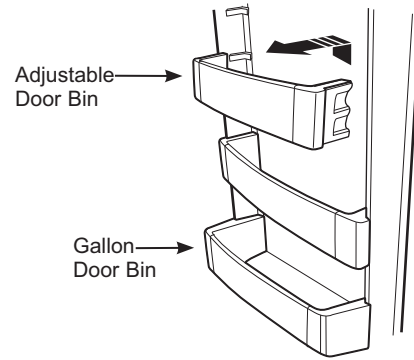
Bins and Baskets

Door bins

All door bins, except for the deep gallon door bin, are adjustable using one of 2 tabs on each end of the bin. They can be moved up and down to many different positions to meet your storage needs. The deep gallon door bin can be removed for cleaning.

To remove any bin:

Lift the bin up and slide it toward you.

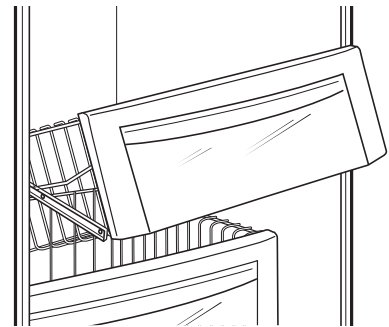


Freezer baskets

Wire slide-out freezer baskets can be pulled out for easy access to frozen foods.

To remove:

Pull basket out. Lift the front of the basket up and then take it out.



WiFi (for customers in the United States, its territories, and Canada)

WiFi Connect Enabled*

Your refrigerator is **WiFi Connect Enabled**. A WiFi communication card is built into the product allowing it to communicate with your Smart Phone for remote monitoring, control, and notifications. Please visit cafeappliances.com/connect to learn more about connected appliance features, and to learn what connected appliance App's will work with your Smart Phone.

WiFi Connectivity: For assistance with the appliance or the network connectivity (for models that are WiFi enable), please visit cafeappliances.com/connect.

REGULATORY INFORMATION

FCC/IC Compliance Statement:

This device complies with Part 15 of the FCC Rules. Operation is subject to the following two conditions:

1. This device may not cause harmful interference, and
2. This device must accept any interference received, including interference that may cause undesired operation.

This equipment has been tested and found to comply with the limits for a Class B digital device, pursuant to Part 15 of the FCC Rules. These limits are designed to provide reasonable protection against harmful interference in a residential installation. This equipment generates uses and can radiate radio frequency energy and, if not installed and used in accordance with the instructions, may cause harmful interference to radio communications. However, there is no guarantee that interference will not occur in a particular installation. If this equipment does cause harmful interference to radio or television reception, which can be determined by turning the equipment off and on, the user is encouraged to try to correct the interference by one or more of the following measures:

- Reorient or relocate the receiving antenna.
- Increase the separation between the equipment and receiver.
- Connect the equipment into an outlet on a circuit different from that to which the receiver is connected.
- Consult the dealer or an experienced radio/television technician for help.

Labelling: Changes or modifications to this unit not expressly approved by the manufacturer could void the user's authority to operate the equipment.

Care and Cleaning

Cleaning the Outside

Directions for Cleaning Outside Surfaces, Door Handles, and Trim

DO USE	DO NOT USE
Soft, clean cloth or sponge	Abrasive cloths, scrubbing sponges (with or without soap), scouring or steel wool pads
Mild detergent mixed with warm water Approved stainless steel cleaners; Visit the Café Appliances parts store for approved stainless steel cleaners: cafeappliances.com/parts Cleaners with oxalic acid such as Bar Keepers Friend Soft Cleanser™ can be used to remove surface rust, tarnish and small blemishes on stainless steel surfaces only.	Abrasive powders or sprays Window Sprays or Ammonia Citrus or plant oil-based cleaners Acidic or vinegar-based cleaners Oven cleaners Cleaners containing acetone (propanone) Any cleaner with WARNING about plastic contact

NOTE: DO NOT allow stainless steel cleaner to come in contact with any plastic parts such as trim pieces, handle hardware and liners. If unintentional contact of cleaners with plastic parts does occur, clean plastic part with a sponge and mild detergent mixed with warm water.

Cleaning the Inside

To help prevent odors, leave an open box of baking soda in the refrigerator and freezer compartments.

Unplug the refrigerator before cleaning.

If this is not practical, wring excess moisture out of sponge or cloth when cleaning around switches, lights or controls.

Use an appliance wax polish on the inside surface between the doors.

Use warm water and baking soda solution—about a tablespoon (15 ml) of baking soda to a quart (1 liter) of water. This both cleans and neutralizes odors. Rinse and wipe dry.

⚠ CAUTION

Do not clean glass shelves or covers with warm water when they are cold. Glass shelves and covers may break if exposed to sudden temperature changes or impact such as bumping or dropping. Tempered glass is designed to shatter into many small pieces if it breaks.

Do not wash any plastic refrigerator parts in the dishwasher.

Behind the Refrigerator

Be careful when moving the refrigerator away from the wall. All types of floor coverings can be damaged, particularly cushioned coverings and those with embossed surfaces.

Raise the leveling legs located at the bottom front of the refrigerator.

Pull the refrigerator straight out and return it to position by pushing it straight in. Moving the refrigerator in a side direction may result in damage to the floor covering or refrigerator.

Lower the leveling legs until they touch the floor.

When pushing the refrigerator back, make sure you don't roll over the power cord or water supply line.

Preparing for Vacation

Set the ice maker to OFF with the control panel, and be sure to shut off the water supply to the refrigerator.

For long vacations or absences, remove food from the refrigerator/freezer. Set the ice maker to OFF with the control panel, and clean the interior with a baking soda solution of one tablespoon (15 ml) of baking soda to one

quart (1 liter) of water. Leave the door open.

For shorter vacations, remove perishable foods and leave controls at regular settings. However, if the room temperature is expected to drop below 60°F (16°C), follow the same instructions as for long vacations.

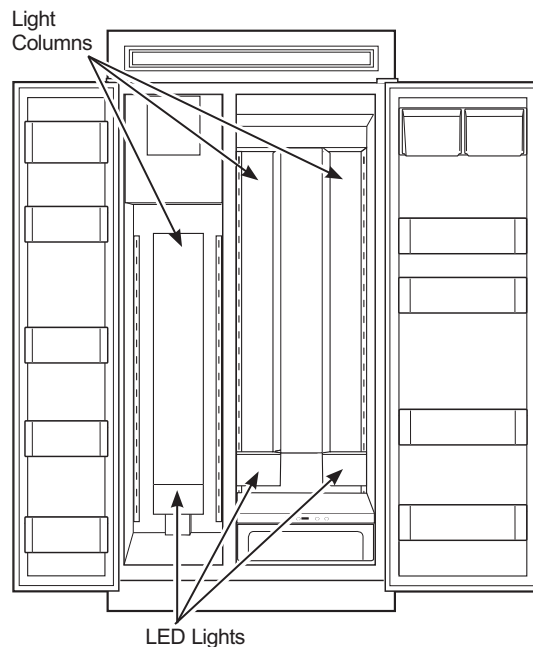
Care and Cleaning

Replacing the Lights

The columns along the back wall of the refrigerator and freezer compartments are lit up by LED lights located behind the top pan in the refrigerator compartment and the bottom basket in the freezer compartment.

An authorized technician will need to replace the LED light.

If this assembly needs to be replaced, schedule service on-line at cafeappliances.com/service.



Installation Instructions

Refrigerator

Questions? Visit our Website at: cafeappliances.com
 In Canada, visit cafeappliances.ca

BEFORE YOU BEGIN

Read these instructions completely and carefully.

- **IMPORTANT** — Save these instructions for local inspector's use.
- **IMPORTANT** — Observe all governing codes and ordinances.
- **Note to Installer** – Be sure to leave these instructions with the Consumer.
- **Note to Consumer** – Keep these instructions for future reference.
- **Skill level** – Installation of this appliance requires basic mechanical skills.
- **Completion time** – Refrigerator Installation
15 minutes
- Proper installation is the responsibility of the installer.
- Product failure due to improper installation is not covered under the Warranty.

WARNING **Electrical Shock Hazard.**


Plug into a grounded 3-prong outlet.
 Do not remove the ground prong.
 Do not use an adapter.
 Immediately discontinue use of a damaged supply cord. If the supply cord is damaged it must be replaced by a qualified service professional with an authorized service part from the manufacturer.
 Do not use an extension cord with this appliance.
 Failure to follow these instructions can result in death, fire, or electrical shock.
 Follow the instructions in the section Grounding the Refrigerator.
 This appliance must be installed with a means in the fixed house wiring or circuit breaker for disconnecting the appliance from the electrical supply after installation.

WARNING **Fire or Explosion**

Hazard. Keep flammable materials and vapors away from appliance. Failure to do so can result in fire, explosion, or death.


WARNING **Tip Over Hazard.**

These appliances are top heavy, especially with any doors open, and must be secured to prevent tipping forward which could result in death or serious injury. Read and follow the entire installation instructions for securing the appliance with the anti-tip system.

 **WARNING** To reduce the risk associated with choking, do not allow children under 3 years of age to have access to small parts during the installation of this product.

CAUTION **Lifting Hazard**

This unit is very heavy. To reduce the risk of person injury during maneuvering and installing this appliance, 4 people are required for proper installation.

 **CAUTION** Keep fingers out of the “pinch point” areas; clearances between the doors and between the doors and cabinet are necessarily small. Be careful closing doors when children are in the area.

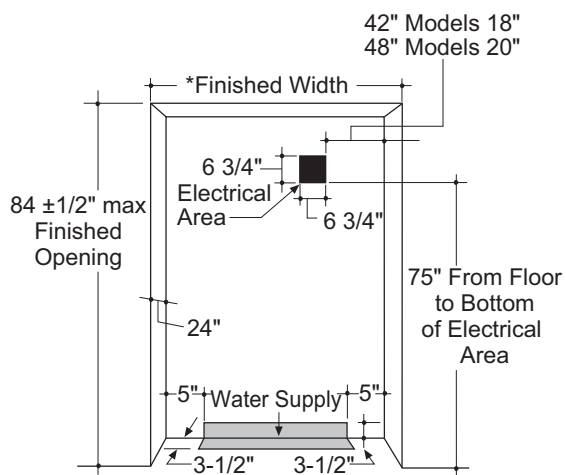
REFRIGERATOR LOCATION

- Do not install the refrigerator where the temperature will go below 55°F (13°C) because it will not run often enough to maintain proper temperatures.
- Do not install the refrigerator where the temperature will go above 100°F (37°C) because it will not perform properly.
- Do not install the refrigerator in a location exposed to water (rain, etc.) or direct sunlight.
- Install it on a floor strong enough to support it fully loaded.

For proper installation, the refrigerator/freezer must be placed on a level surface of hard material the same height as the rest of the flooring. This surface should be strong enough to support a fully loaded refrigerator, or approximately 1,500 lbs. (680.39 kg) each.

Installation Instructions

THE INSTALLATION SPACE



*The finished cutout width must be:
41-1/2" (105.41 cm) for 42" models
47-1/2" (120.65 cm) for 48" models

Water And Electrical Locations

The opening must be prepared with the electrical and the cold water supply located as shown.

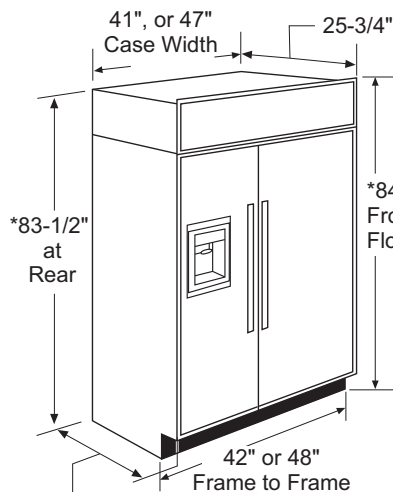
The Cutout Depth Must Be 24" (60.96 cm)

The refrigerator will project forward, slightly beyond adjacent cabinetry for standard installation.

Additional Specifications

- A 115 volt 60Hz., 15 or 20 amp power supply is required. An individual properly grounded branch circuit or circuit breaker is recommended. Install a properly grounded 3-prong electrical receptacle recessed into the back wall. Electrical must be located on the rear wall as shown.
- The water line can enter the opening through the floor or back wall. The water line should be 1/4" O.D. copper tubing or SmartConnect™ kit between the cold water line and water connection location, long enough to extend to the front of the refrigerator. Installation of an easily accessible shut-off valve in the water line is required.

DIMENSIONS AND CLEARANCES

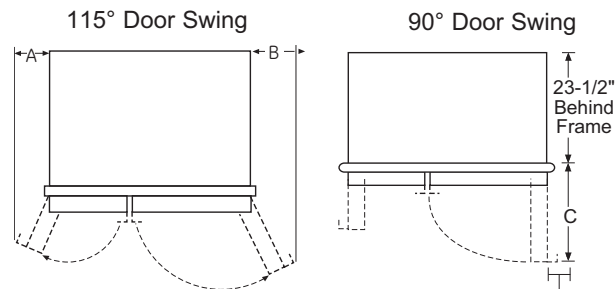


Depth Including Handles:
28-7/8"

* Shipping height. The refrigerator can be adjusted to fit into a cutout that is 84-1/2" (214.63 cm) in height. Use leveling legs and wheels for a maximum 1" (2.54 cm) height adjustment.

Product Clearances

These refrigerators are equipped with a 3-position door stop. The factory-set 115° door swing can be adjusted to 90° if clearance to adjacent cabinets or walls is restricted.



Models	A	B	C
42"	11-1/4" (28.58cm)	17-5/8" (44.77cm)	26-9/16" (67.47cm)
48"	13-13/16" (33.5cm)	18-15/16" (48.10cm)	28-5/8" (72.71cm)

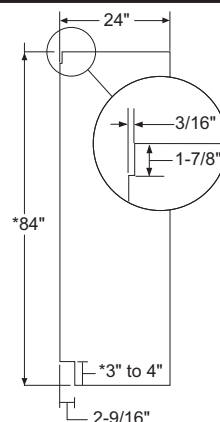
*Min. Distance to Wall

For a 90° door swing, allow 4-5/8" (11.75 cm) min. clearance to a wall, for framed and stainless steel models. If the 90° door stop position is used, pan access is maintained, but pan removal is restricted.

SIDE PANELS

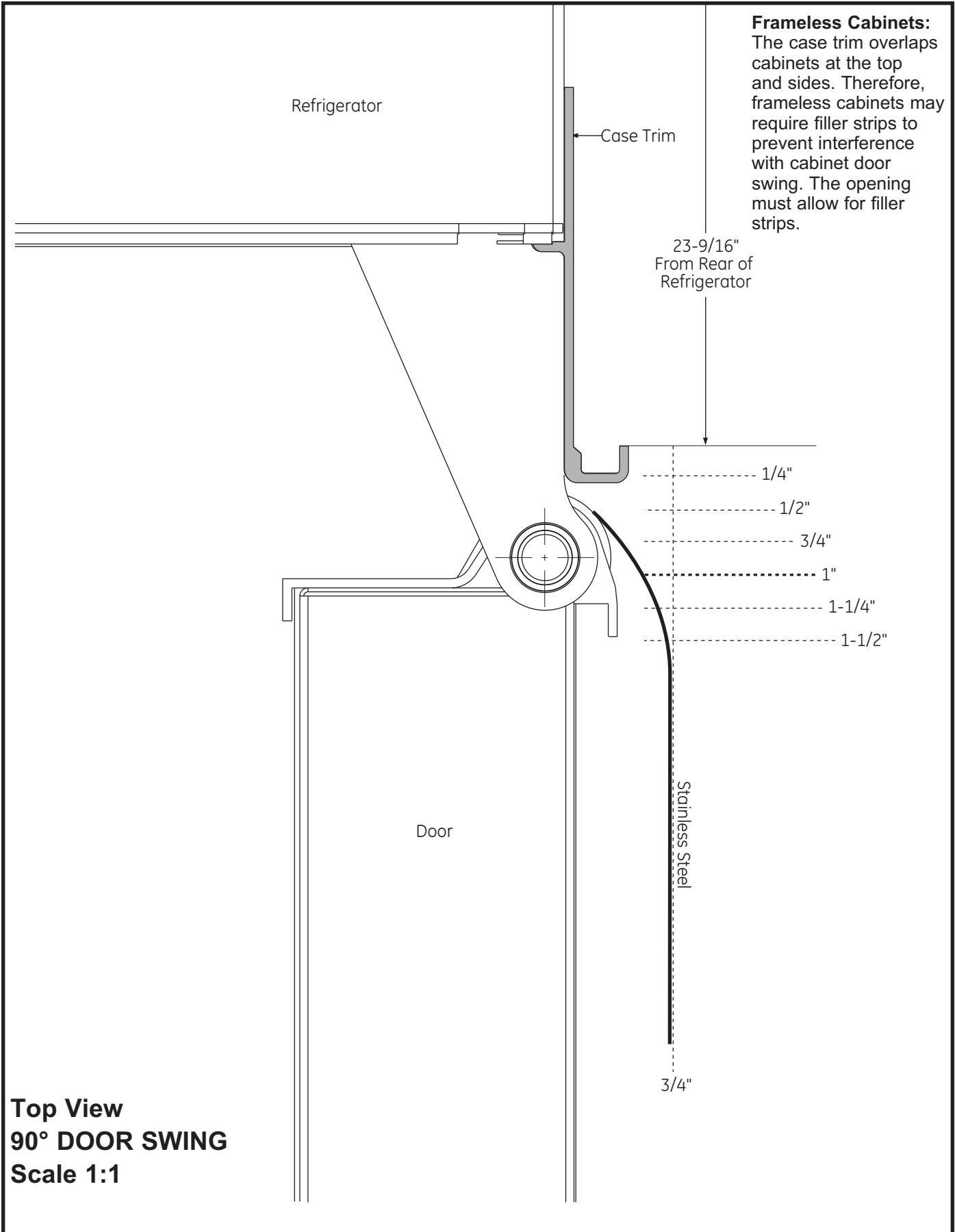
Side panels must be used whenever the sides of the refrigerator will be exposed. The 1/4" (0.63 cm) side panels will slip into the side case trim. Secure the panels to the refrigerator with stick-on hook and loop fastener strips. Order the side panels from the cabinet manufacturer.

- Cut a notch in the top front corner as shown to allow clearance for corner keys in the front side trim.



* Depending on installation height.

Installation Instructions



Installation Instructions

TOOLS AND MATERIALS REQUIRED

- Tinsnips to cut banding
- Stepladder
- 1" Bit extension
- Tape measure
- Gloves
- 1/4" Drywall screws
- 5-Gal. Bucket with cover
- 6" Spirit level
- Appliance hand truck
- Tubing cutter
- 7/16" open-end wrench
- #2 Phillips screwdriver
- Drill and appropriate bits
- 5/16", 7/16" socket
- Safety glasses
- 1-1/8" open end wrench
- Pliers
- 1/4", 5/16" Combo Ratchet
- 35" long 2x4 for Anti-Tip support
- 1/4" copper water line tubing or SmartConnect™ Refrigerator Tubing kits
- Water shut-off valve
- Custom panels for doors and grille panel (on some models)
- Screws to secure refrigerator to cabinetry
- Stick-on hook and loop fastener strips for 1/4" side panels

HARDWARE SUPPLIED

- Water filter bypass plug (on some models)
- Toekick
- 1/4" nut and ferrule

FLOORING

For proper installation, this refrigerator must be placed on a level surface of hard material that is at the same height as the rest of the flooring. This surface should be strong enough to support a fully loaded refrigerator, or approximately 1,500 lbs. (680.39 kg).

NOTE: Protect the finish of the flooring. Cut a large section of the cardboard carton and place under the refrigerator where you are working.

GROUNDING THE REFRIGERATOR

⚠ WARNING  **Electrical Shock Hazard.**

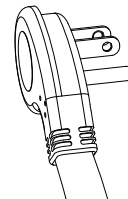
Failure to follow these instructions can result in death, fire, or electrical shock.

The power cord of this appliance is equipped with a 3-prong (grounding) plug which mates with a standard 3-prong (grounding) wall receptacle to minimize the possibility of electric shock hazard from this appliance.

Have the wall outlet and circuit checked by a qualified electrician to make sure the outlet is properly grounded.

Where a standard 2-prong wall outlet is encountered, it is your personal responsibility and obligation to have it replaced with a properly grounded 3-prong wall outlet.

DO NOT, UNDER ANY CIRCUMSTANCES, CUT OR REMOVE THE THIRD (GROUND) PRONG FROM THE POWER CORD.



DO NOT USE AN ADAPTER PLUG TO CONNECT THE REFRIGERATOR TO A 2-PRONG OUTLET.

DO NOT USE AN EXTENSION CORD WITH THIS APPLIANCE.

REFRIGERATOR LOCATION

- Do not install the refrigerator where the temperature will go below 55°F (13°C). It will not run often enough to maintain proper temperatures.
- Do not install the refrigerator where the temperature will go above 100°F (37°C). It will not perform properly.
- Do not install the refrigerator in a location exposed to water (rain, etc.) or direct sunlight.
- Install it on a floor strong enough to support it fully loaded.

Installation Instructions

STEP 1 REMOVE PACKAGING

⚠ WARNING Tip Over Hazard.

The refrigerator is much heavier at the top than at the bottom—be careful when moving. When using a hand truck, handle from the side only.

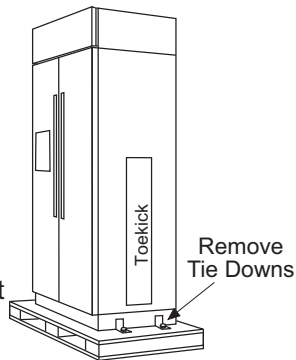
- Carefully cut banding at the top and bottom, remove the outer carton.
- Slide out the back corner posts (2).
- Slide the carton off the top of the cabinet.

NOTE: IT IS NOT NECESSARY TO LAY THE CABINET DOWN IN ORDER TO REMOVE THE SKID!

- The unit is secured to the skid with 4 slotted tie-down straps. Remove the six 7/16" bolts from the base channels in the tie-downs.
- Remove the six 7/16" bolts securing the straps to the skid.

NOTE: DO NOT ATTEMPT TO ROLL UNIT OFF SKID.

- The support blocks on the bottom of the refrigeration case must be removed before the refrigerator is taken off the skid or damage will occur. Carefully tilt the refrigerator and slide the blocks out from beneath.
- Remove the toekick and set aside for final installation.
- Lift the refrigerator off the skid with an appliance dolly. Handle from the sides.



STEP 2 MOVE THE REFRIGERATOR INTO THE HOUSE

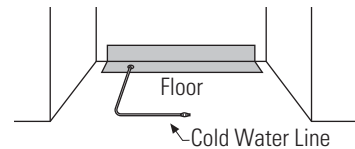
- Re-use the corner posts from the packaging to protect stainless steel models. Run the appliance dolly straps over the posts and under the handles.
- Leave the protective film on the refrigerator until installation is complete. **IMPORTANT:** Never lift the refrigerator by the handle or push against the grille panel; this could cause damage or misalignment.
- Avoid laying the unit on its back or side to prevent sealed system restrictions.

STEP 3 INSTALL WATER LINE

⚠ WARNING Connect to potable water supply only. A cold water supply is required for automatic icemaker operation. The water pressure must be between 40 and 120 psi (275-827 kilopascals).

⚠ WARNING  **ELECTRIC SHOCK HAZARD**
Attach tubing clamp using existing hole only. DO NOT drill into the refrigerator.

- A cold water supply is required for automatic icemaker operation. The water pressure must be between 40 and 120 p.s.i. (275-827 kPa).
- Route 1/4" OD copper or SmartConnect™ plastic tubing between house cold water line and the water connection location.
- The tubing should be long enough to extend to the front of the refrigerator. Allow enough tubing to accommodate the bend leading into the water line connection.



NOTE: The only Café approved plastic tubing is supplied in the SmartConnect™ Refrigerator Tubing kits. Do not use any other plastic water supply line because the line is under pressure at all times. Other types of plastic may crack or rupture with age and cause water damage to your home.

SmartConnect™ Refrigerator Tubing Kits are available in the following lengths:

- 2' (.6 m) WX08X10002
- 8' (2.4 m) WX08X10006
- 15' (4.6 m) WX08X10015
- 25' (7.6 m) WX08X10025

Shut off the main water supply.

Turn on the nearest faucet long enough to clear the line of water.

- Install a shut-off valve between the icemaker water valve and cold water pipe in a basement or cabinet. The shut-off valve should be located where it will be easily accessible.
- Turn on the main water supply and flush debris. Run about a quart of water through the tubing into a bucket. Shut off the water supply at the shut-off valve.

NOTE: Saddle type shut-off valves are included in many water supply kits. Before purchasing, make sure a saddle type valve complies with your local plumbing codes.

NOTE: Commonwealth of Massachusetts Plumbing Codes 248CMR shall be adhered to. Saddle valves are illegal and use is not permitted in Massachusetts. Consult with your licensed plumber.

Installation Instructions

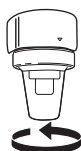
STEP 4 WATER LINE INSTALLATION WITH A REVERSE OSMOSIS SYSTEM OR OTHER HOUSEHOLD FILTRATION SYSTEM

Skip this step when not using an RO System or other household filtration system.

If the water supply to the refrigerator is from a household filtration system, use the refrigerator's filter bypass plug. Using the refrigerator's water filtration cartridge with the RO filter can result in hollow ice cubes.



Rotate Counterclockwise to Remove



Filter Bypass Plug

STEP 5 INSTALL SIDE PANELS

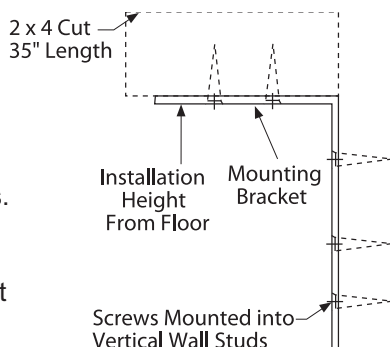
Skip this step when not using side panels. If you are using 1/4" (0.63 cm) side panels, they should be inserted into the case trim. Fasten the panels to the refrigerator with stick-on hook and loop fastener strips before setting the refrigerator in place.

STEP 6 ANTI-TIP PROCEDURE

⚠ WARNING Tip Over Hazard.

These refrigerators are top heavy, especially with any doors open, and must be secured to prevent tipping forward which could result in death or serious injury. Read and follow the entire installation instructions for securing the refrigerator with the anti-tip system.

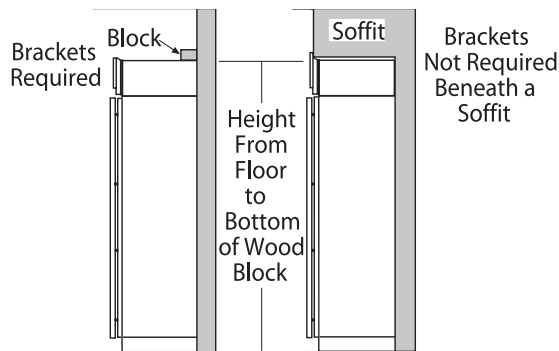
- Cut a 2" x 4" block, 35" (88.9 cm) long and secure the block to the mounting brackets provided using #12 or #14 wood screws.
- Secure the bracket with wood block to the back wall so that it is 84" (213.36 cm) from the finished floor. Use #12 or #14 wood screws. See the illustration.



STEP 6 ANTI-TIP PROCEDURE (Cont.)

- The screws must penetrate at least one inch into the vertical wall studs.
- If metal wall studs, use self-tapping sheet metal screws in place of wood screws.

IMPORTANT: When the refrigerator is installed under a soffit or if there is not enough height for this method of security, brackets cannot be used. Proceed to step 7 to level the refrigerator and then to step 8 to secure refrigerator to cabinets. The refrigerator must be secured to prevent tipping.



Side View

Connect power cord:

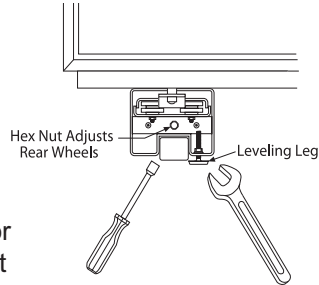
- Before pushing the refrigerator into the opening, plug the power cord into the receptacle. The water filter guard will need to be removed for access (some models). Remove the 3 screws holding it in place. If access is still too tight, remove the 2 screws holding the water filter bracket and move aside. Open the grille panel and reach into the opening at the back to grasp the power cord. Pull the power cord into the opening as you push the refrigerator back. Secure the bracket and guard with the original screws.
- Gently push refrigerator into the opening with hands against front corners.

Installation Instructions

STEP 7 LEVEL REFRIGERATOR

All models have 4-point leveling. The front is supported by leveling legs, the rear is supported by adjustable wheels. Both are accessible from the front of the refrigerator.

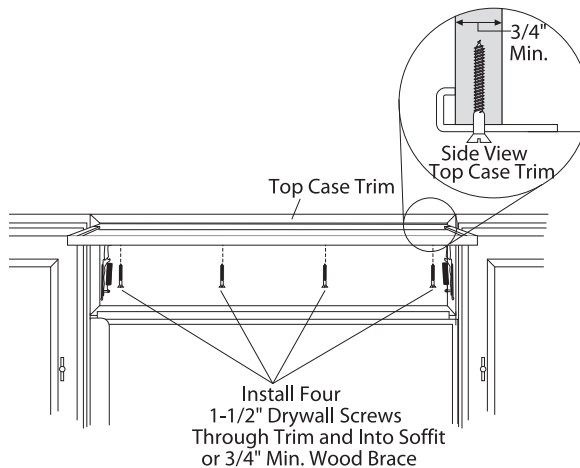
- To level the back of the refrigerator, turn the 7/16" hex nut located above the front wheels. Turn clockwise to raise or counterclockwise to lower the refrigerator.
- For front leveling, use a 1-1/4" open-end wrench.
- Adjust height of refrigerator to match installation cutout opening 84-1/2" (214.63 cm). The refrigerator should be level and plumb with cabinetry.



NOTICE: The rear leveling wheels and front leveling legs are limited to a maximum height adjustment of 1" (2.54 cm). If the installation requires more than 84-1/2" (214.63 cm) height, the installer should elevate the refrigerator on a sheet of plywood or runners. Cabinetry trim could also be added across the top of the opening to shorten the opening. **If you attempt to raise the refrigerator more than 1" (2.54 cm), you will damage the front leveling legs and the rear leveling wheels. Make adjustments in small increments.**

STEP 8 ALTERNATE ANTI-TIP PROCEDURE

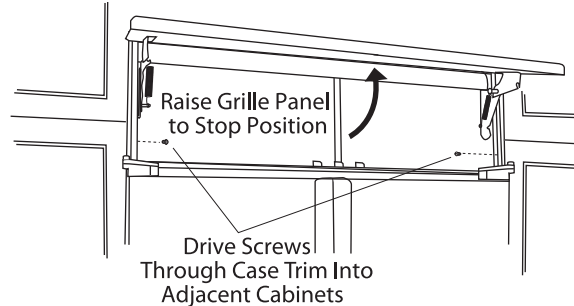
The refrigerator must be secured to prevent tipping.



- Raise the grille panel to access case trim.
- Use a 3/16" bit to drill four evenly spaced clearance holes through the metal top case trim.

STEP 8 ALTERNATE ANTI-TIP PROCEDURE (Cont.)

- Use a 1/16" bit to drill to pilot holes through the metal clearance holes and into the wood soffit. The holes should be centered in the soffit or a 3/4" (1.91 cm) min. wood brace. The brace spanning the enclosure must be securely fastened to cabinets on both sides.
- Install four, 1-1/2" drywall screws into the pilot holes.
- Drill screws into adjacent cabinets through side case trim.

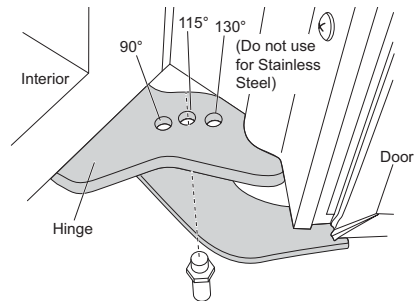


STEP 9 ADJUST DOOR SWING

NOTE: This refrigerator has a 2-position door stop. When space does not allow the door to swing open fully to 115°, you may change the door swing to a 90° opening. The 130°, door swing option is not to be used for the SxS 42" and 48" models. **Skip this step if door opening is satisfactory for your installation situation.**

- Open the door to view the bottom hinge. Note the door stop pin locations. The pin is factory installed in the 115° position.

- Close the door. From below, use pliers to unscrew the door stop and reinstall into the 90° position.



⚠ WARNING



Door Trim Pinch Point Hazard

Improper installation can lead to a finger pinch point hazard between the side door trim and the cabinets when operating the door, especially with children. To minimize this risk you must follow the installation instructions for cabinet dimensions, trim assembly, and door stop angle.

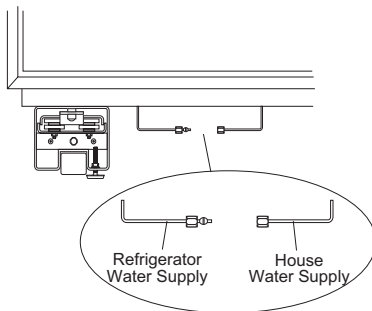
Installation Instructions

STEP 10 CONNECT WATER SUPPLY

⚠ WARNING Connect to potable water supply only. A cold water supply is required for automatic icemaker operation. The water pressure must be between 40 and 120 psi (275-827 kilopascals).

⚠ WARNING  **ELECTRIC SHOCK HAZARD**
Attach tubing clamp using existing hole only. DO NOT drill into the refrigerator.

- Locate and bring the tubing to the front of the cabinet.
- Turn the water on to flush debris from the line. Run about a quart of water through the tubing into a bucket, then shut off the water.



Copper Tubing:

- Slip a 1/4" nut and ferrule (provided) over both ends of the copper tubing. Insert the tube into the union fitting on the unit and tighten the nut to the union.
- Turn on the water to check for leaks.

SmartConnect™ Tubing:

NOTE: The only Café-approved plastic tubing is supplied in the SmartConnect™ Refrigerator Tubing kits. Do not use any other plastic water supply line because the line is under pressure at all times. Other types of plastic may crack or rupture with age and cause water damage to your home.

SmartConnect™ Refrigerator Tubing Kits are available in the following lengths:

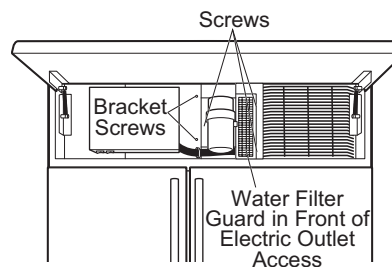
- 2' (.6 m) WX08X10002
- 8' (2.4 m) WX08X10006
- 15' (4.6 m) WX08X10015
- 25' (7.6 m) WX08X10025

- Insert the molded end of the tubing into the refrigerator connection. Tighten the compression nut until it is just hand tight.
- Tighten one additional turn with a wrench. Overtightening can cause leaks!
- Turn on the water to check for leaks.
- Run dispenser, if available, for 2 minutes or 1 gallon of water. It is normal for the dispenser to sputter for the first few cups

NOTE: Make sure excess tubing length does not interfere with the toekick installation.

STEP 11 CONNECT POWER, CLOSE GRILLE PANEL

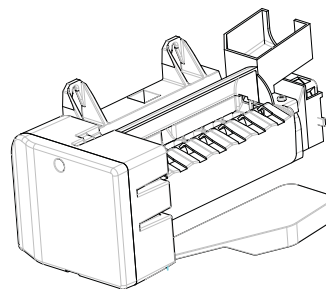
- Open the grille panel.
- Plug in the power cord (if necessary) by reaching into the opening next to the water filter. The water filter guard will need to be removed for access (some models). Remove the 3 screws holding it in place. If access is still too tight, remove the 2 screws holding the water filter bracket and move aside. Plug in the power cord. Secure the bracket and guard with the original screws.



- Check to make sure power to refrigerator is on by opening refrigerator door to see if interior lights are on.
- The temperature controls are preset at 37°F (3° C) for the refrigerator section and 0°F (-18° C) for the freezer.
- Allow 24 hours to stabilize before making adjustments.

STEP 12 START ICEMAKER

⚠ CAUTION To minimize the risk of personal injury, avoid contact with the moving parts of the ejector mechanism, or with the heating element that releases the cubes. Do not place fingers or hands on the automatic ice making mechanism while the appliance is plugged in.

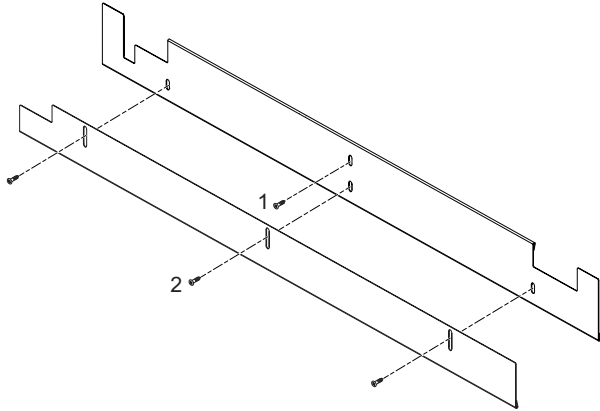


- Set the ice maker to **ON** with the control panel.
- The icemaker will begin operation automatically.
- Be sure nothing interferes with the sweep of the feeler arm.
- Discard the first full bucket of ice cubes.
- Use the control panel to set the ice maker to **OFF**.

Installation Instructions

STEP 13 INSTALL TOEKICKS

- Locate the supplied toekicks (shipped taped to the side of the refrigerator).
- Attach the LARGER toekick to the refrigerator using ONLY the top center hole (1).
- Attach the toekick skirt to the refrigerator using the three lower slots (2).

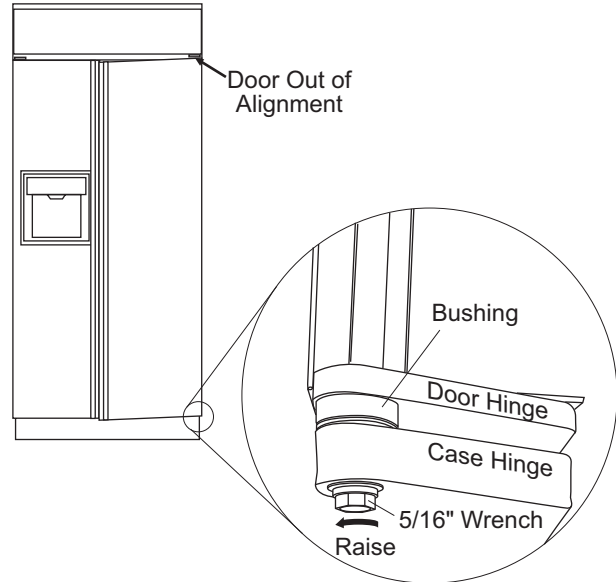


- A custom toekick can be installed to match or complement the surrounding cabinetry. Use the supplied toekick as a template to cut the shape.

INSPECT FINAL INSTALLATION

Check door alignment. Stand back away from the refrigerator to inspect the final installation.

- Check to be sure the handles are evenly aligned with each other at the top. To adjust, loosen the handle screws and slide up or down. Tighten the screws.
- Shipping or the addition of heavy door panels may have caused the doors to move slightly out of alignment.



- If necessary, the refrigerator door may be adjusted up or down to align with the freezer door.
- Use a 5/16" wrench to adjust the hinge pin as shown.

Normal Operating Conditions.

Newer refrigerators sound different from older refrigerators. Modern refrigerators have more features and use newer technology.

Do you hear what I hear? These sounds are normal.

HUMMM... WHOOSH...

- The new high efficiency compressor may run faster and longer than your old refrigerator and you may hear a high-pitched hum or pulsating sound while it is operating.
- Sometimes the refrigerator runs for an extended period, especially when the doors are opened frequently. This means that the Frost Guard™ feature is working to prevent freezer burn and improve food preservation.
- You may hear a whooshing sound when the doors close. This is due to pressure equalizing within the refrigerator.



- You may hear the fans spinning at high speeds. This happens when the refrigerator is first plugged in, when the doors are opened frequently or when a large amount of food is added to the refrigerator or freezer compartments. The fans are helping to maintain the correct temperatures.
- If either door is open for over 3 minutes, you may hear the fans come on in order to cool the light bulbs.
- The fans change speeds in order to provide optimal cooling and energy savings.

CLICKS, POPS, CRACKS and CHIRPS

- You may hear cracking or popping sounds when the refrigerator is first plugged in. This happens as the refrigerator cools to the correct temperature.
- Electronic dampers click open and closed to provide optimal cooling and energy savings.
- The compressor may cause a clicking or chirping sound when attempting to restart (this could take up to 5 minutes).
- The electronic control board may cause a clicking sound when relays activate to control refrigerator components.
- Expansion and contraction of cooling coils during and after defrost can cause a cracking or popping sound.
- On models with an icemaker, after an icemaking cycle, you may hear the ice cubes dropping into the ice bucket.

WATER SOUNDS



- The flow of refrigerant through the freezer cooling coils may make a gurgling noise like boiling water.
- Water dropping on the defrost heater can cause a sizzling, popping or buzzing sound during the defrost cycle.
- A water dripping noise may occur during the defrost cycle as ice melts from the evaporator and flows into the drain pan.
- Closing the door may cause a gurgling sound due to pressure equalization.

Troubleshooting Tips... Before you schedule service

Save time and money! Review the charts on the following pages first and you may not need to schedule service.

Problem	Possible Causes	What To Do
Refrigerator does not operate	Refrigerator in defrost cycle.	Wait about 30 minutes for defrost cycle to end.
	Freezer control in 0 (off) position.	Move the freezer control to a lower temperature setting.
	Refrigerator is unplugged.	Push the plug completely into the outlet.
	The fuse is blown/circuit breaker is tripped.	Replace fuse or reset the breaker.
	Energy Smart™ feature is altering refrigerator performance	Wait about 2 hours for normal operation to continue.
Refrigerator or freezer compartment too warm	Temperature control not set cold enough.	See About the controls.
	Warm weather or frequent door openings.	Set the temperature control one step colder. See About the controls.
	Door left open.	Check to see if package is holding door open.
	Energy Smart™ feature is altering refrigerator performance	See About Energy Smart™ Models.
Vibration or rattling	Front rollers need adjusting.	See Rollers. Slight vibration is normal.
Motor operates for long periods or cycles on and off frequently. (Modern refrigerators with more storage space and a larger freezer require more operating time. They start and stop often to maintain even temperatures.)	Normal when refrigerator is first plugged in.	Wait 24 hours for the refrigerator to completely cool down.
	Often occurs when large amounts of food are placed in refrigerator.	This is normal.
	Door left open.	Check to see if package is holding door open.
	Hot weather or frequent door openings.	This is normal.
	Temperature controls set at the coldest setting.	See About the controls.
Frost or ice crystals on frozen food (frost within package is normal)	Door left open.	Check to see if package is holding door open.
	Too frequent or too long door openings.	
Divider between refrigerator and freezer compartments feels warm	Automatic energy saver system circulates warm liquid around front edge of freezer compartment.	This helps prevent condensation on the outside.
Automatic icemaker does not work (on some models)	Icemaker is set to OFF.	Set the ice maker to ON with the control panel.
	Water supply turned off or not connected.	See Installing the water line.
	Freezer compartment too warm.	Wait 24 hours for the refrigerator to completely cool down.
	Piled up cubes in the storage bin cause icemaker to shut off.	Level cubes by hand.
	Ice cubes stuck in icemaker.	Turn off the icemaker, remove cubes and turn the icemaker back on.

Troubleshooting Tips... Before you schedule service

Problem	Possible Causes	What To Do
Ice cubes have odor/taste	Ice storage bin needs cleaning.	Empty and wash bin. Discard old cubes.
	Food transmitting odor/taste to ice cubes.	Wrap foods well.
	Interior of refrigerator needs cleaning.	See Care and cleaning.
Small or hollow cubes	Water filter clogged.	Replace filter cartridge with new cartridge or with plug.
Slow ice cube freezing	Door left open.	Check to see if package is holding door open.
	Temperature control not set cold enough.	See About the controls.
	Energy Smart™ feature is altering refrigerator performance	See About Energy Smart™ Models
Irregular ice cube size, larger bridging between ice cubes, Loss of icemaker water containment	Unlevel Icemaker	<p>Verify proper icemaker level by using level indicator and make any necessary adjustments</p> <ul style="list-style-type: none"> - Verify the level of the unit, See installation instructions - Turn off icemaker - Use bubble level indicator to level icemaker <ul style="list-style-type: none"> • Hold bubble level indicator up against bottom of the icemaker. • Loosen side screws for icemaker. <i>Note: Screws may need to be backed out of liner enough to allow icemaker bracket to clear liner bumps</i> • Icemaker to be level and re-tighten the screw • Repeat the step as needed
Door not closing properly	Door gasket on hinge side sticking or folding over.	Apply petroleum jelly on face of gasket
Orange glow in freezer	Defrost heater is on.	This is normal.
Cube dispenser does not work (on some models)	Icemaker or water supply turned off.	Turn on icemaker or water supply.
	Ice cubes are frozen to icemaker feeler arm.	Remove cubes.
	Irregular ice clumps in storage container.	Break up with fingertip pressure and discard remaining clumps.
		Freezer may be too warm. Adjust the freezer control to a colder setting, one position at a time, until clumps do not form.
Dispenser is LOCKED.	Press and hold the Lock pad for 3 seconds.	
Water has poor taste/odor (on some models)	Water dispenser has not been used for a long time.	Dispense water until all water in system is replenished.
Water in first glass is warm (on some models)	Normal when refrigerator	Wait 24 hours for the refrigerator to completely cool down.
	Water dispenser has not been used for a long time.	Dispense water until all water in system is replenished.
	Water system has been drained.	Allow several hours for replenished supply to chill.

Troubleshooting Tips... Before you schedule service

Problem	Possible Causes	What To Do
Water dispenser does not work (on some models)	Water supply line turned off or not connected.	See Installing the water line.
	Water filter clogged.	Replace filter cartridge or remove filter and install plug.
	Air may be trapped in the water system.	Press the dispenser arm for at least two minutes.
	Dispenser is LOCKED.	Press and hold the Lock pad for 3 seconds.
Water spurting from dispenser	Newly-installed filter cartridge.	Schedule service on-line at cafeappliances.com/service
Water is not dispensed	Water in reservoir is frozen.	Schedule service on-line at cafeappliances.com/service
No water or ice cube production	Supply line or shutoff valve is clogged.	Call a plumber.
	Water filter clogged.	Replace filter cartridge or remove filter and install plug.
	Dispenser is LOCKED.	Press and hold the Lock pad for 3 seconds.
Refrigerator has odor	Foods transmitting odor to refrigerator.	Foods with strong odors should be tightly wrapped.
		Keep an open box of baking soda in the refrigerator; replace every three months.
	Interior needs cleaning.	See Care and cleaning.
	Defrost water drainage system needs cleaning.	See Care and cleaning.
Moisture forms on outside of refrigerator	Not unusual during periods of high humidity.	Wipe surface dry.
Moisture collects inside	Too frequent or too long door openings.	See instruction to exit sabbath mode
Interior light does not work	No power at outlet.	Replace fuse or reset the breaker.
	Light bulb burned out.	See Replacing the light bulbs.
	SABBATH MODE may be active	See instruction to exit SABBATH MODE
Water on kitchen floor or on bottom of freezer	Drain in the bottom of the freezer clogged.	See Care and cleaning.
	Cubes jammed in chute.	Poke ice through with a wooden spoon.
Hot air from bottom of refrigerator	Normal air flow cooling motor. In the refrigeration process, it is normal that heat be expelled in the area under the refrigerator. Some floor coverings are sensitive and will discolor at these normal and safe temperatures.	
Cubed Ice was selected but Crushed Ice was dispensed (on some models)	Last setting was Crushed Ice.	A few cubes were left in the crusher from the previous setting. This is normal.
Frequent "buzzing" sound	Icemaker is set to ON.	Turn the ice maker to OFF with the control panel. Keeping the ice maker ON will damage the water valve.

Notes

Café Refrigerator Limited Warranty

LIMITED WARRANTY

cafeappliances.com

All warranty service is provided by our Factory Service Centers, or an authorized service technician. To schedule service online, visit us at **cafeappliances.com/service**. Please have your serial number and your model number available when scheduling service.

For the Period of:	Café Will Replace
One Year From the date of the original purchase	Any part of the refrigerator which fails due to a defect in materials or workmanship. During the limited one-year warranty , Café will also provide, free of charge , all labor and related service to replace the defective part.
Thirty Days (Water filter, if included) From the original purchase date of the refrigerator	Any part of the water filter cartridge which fails due to a defect in materials or workmanship. During this limited thirty-day warranty , Café will also provide, free of charge , a replacement water filter cartridge.
Five Years From the date of the purchase	Any part of the sealed refrigerating system (the compressor, condenser, evaporator an all connecting tubing) which fails due to a defect in materials or workmanship. During this limited five-year sealed refrigerating system warranty , Café will also provide, free of charge , all labor and related service to replace the defective part in the sealed refrigerating system.

What Café will not cover:

- Service trips to your home to teach you how to use the product.
- Improper installation, delivery or maintenance.
- Failure of the product if it is abused, misused, or used for other than the intended purpose or used commercially.
- Loss of food due to spoilage.
- Replacement of house fuses or resetting of circuit breakers.
- Damage caused after delivery.
- Replacement of the water filter cartridge, if included, due to water pressure that is outside the specified operating range or due to excessive sediment in the water supply.
- Replacement of the light bulbs, if included, or water filter cartridge, if included, other than as noted above.
- Damage to the product caused by accident, fire, floods or acts of God.
- Incidental or consequential damage caused by possible defects with this appliance.
- Product not accessible to provide required service.
- Damage caused by a non-GE Appliances Brand water filter.
- Damage to finish, such as surface rust, tarnish, or small blemishes not reported within 48 hours of delivery.

EXCLUSION OF IMPLIED WARRANTIES

Your sole and exclusive remedy is product repair as provided in this Limited Warranty. Any implied warranties, including the implied warranties of merchantability or fitness for a particular purpose, are limited to one year or the shortest period allowed by law.

For US Customers: This limited warranty is extended to the original purchaser and any succeeding owner for products purchased for home use within the USA. If the product is located in an area where service by a Café Authorized Servicer is not available, you may be responsible for a trip charge or you may be required to bring the product to an Authorized Café Service location for service. In Alaska, the limited warranty excludes the cost of shipping or service calls to your home.

Some states do not allow the exclusion or limitation of incidental or consequential damages. This limited warranty gives you specific legal rights, and you may also have other rights which vary from state to state. To know what your legal rights are, consult your local or state consumer affairs office or your state's Attorney General.

Warrantor: GE Appliances, a Haier company
Louisville, KY 40225

For Customers in Canada: This limited warranty is extended to the original purchaser and any succeeding owner for products purchased in Canada for home use within Canada. In-home warrant service will be provided in areas where it is available and deemed reasonable by Mabe to provide.

Warrantor Canada: MC Commercial, Burlington, Ontario, L7R 5B6

Staple your receipt here. Proof of the original purchase date is needed to obtain service under the warranty.

Performance Data Sheet

SmartWater™ Filtration System—MWF Cartridge

The concentration of the indicated substances in water entering the system was reduced to a concentration less than or equal to the permissible limit for water leaving the system as specified in NSF/ANSI Standard 42 and Standard 53. System tested and certified by NSF International against NSF/ANSI Standard 42 and Standard 53 for the reduction of substances listed below.

Capacity 300 Gallons (1,135 Liters). Contaminant Reduction Determined by NSF testing.

Substance Tested for Reduction	Average Influent	NSF specified Challenge Concentration	Avg % Reduction	Average Product Water Concentration	Max Permissible Product Water Concentration	NSF Reduction Requirements	NSF Test Report
Chlorine Taste and Odor	2.0 mg/L	2.0 mg/L ± 10%	97.4%	0.05 mg/L	N/A	≥ 50%	J-00137878
Nominal Particulate Class I, ≥0.5 to < 1.0 µm	11,333,333 pts/mL	At least 10,000 particles/mL	99.9%	5,510 pts/mL	N/A	≥85%	J-00137881
Cyst*	101,000 cysts/L	Minimum 50,000 cysts/L	99.99%	1 cyst/L	N/A	≥99.95%	J-00100036
Asbestos	133 MF/L	10 ⁷ to 10 ⁸ fibers/L; fibers greater than 10 µm in length	>99%	<1 MF/L	N/A	≥99%	J-00137886
Atrazine	0.008 mg/L	0.009 mg/L ± 10%	91.3%	0.0007 mg/L	0.003 mg/L	N/A	J-00137910
Benzene	0.014 mg/L	0.015 mg/L ± 10%±	96.5%	0.0005 mg/L	0.005 mg/L	N/A	J-00137912
Carbofuran	0.08 mg/L	0.08 mg/L ± 10%	74.5%	0.01 mg/L	0.04 mg/L	N/A	J-00147488
Endrin	0.007 mg/L	0.006 mg/L ± 10%	97.1%	0.0002 mg/L	0.002 mg/L	N/A	J-00100039
Lead @ pH 6.5	0.148 mg/L	0.15 mg/L ± 10%	99.3%	0.001 mg/L	0.010 mg/L	N/A	J-00137914
Lead @ pH 8.5	0.155 mg/L	0.15 mg/L ± 10%	99.3%	0.001 mg/L	0.010 mg/L	N/A	J-00137915
Lindane	0.002 mg/L	0.002 mg/L ± 10%	96.5%	0.00002 mg/L	0.0002 mg/L	N/A	J-00137924
Mercury @ pH 6.5	0.006 mg/L	0.006 mg/L ± 10%	87.6%	0.0004 mg/L	0.002 mg/L	N/A	J-00137925
Mercury @ pH 8.5	0.006 mg/L	0.006 mg/L ± 10%	93.2%	0.0007 mg/L	0.07 mg/L	N/A	J-00092355
P-Dichlorobenzene	0.223 mg/L	0.225 mg/L ± 10%	99.8%	0.005 mg/L	0.075 mg/L	N/A	J-00137926
Tetrachloroethylene	0.014 mg/L	0.015 mg/L ± 10%	96.5%	0.0005 mg/L	0.005 mg/L	N/A	J-00137929
Toxaphene	0.017 mg/L	0.015 mg/L ± 10%	>93.9%	0.001 mg/L	0.003 mg/L	N/A	J-00137928
2, 4-D	0.192 mg/L	0.210 mg/L ± 10%	77.7%	0.040 mg/L	0.07 mg/L	N/A	J-00147489

*Based on the use of Cryptosporidium parvum oocysts.

The following pharmaceutical reduction claims have not been certified by NSF International or the state of California. Claims tested and verified by independent laboratory:

Contaminant Reduction	Average Influent	NSF specified Challenge Concentration	Avg % Reduction	Average Product Water Concentration	Max Permissible Product Water Concentration	NSF Reduction Requirements	NSF Test Report
Atenolol	978 ng/L	N/A	99.5%	5.0 ng/L	N/A	N/A	J-00121587
Fluoxetine	907 ng/l	N/A	99.4%	5.4 ng/L	N/A	N/A	J-00121587
Ibuprofen	885 ng/L	N/A	94.1%	52.3 ng/L	N/A	N/A	J-00121588
Progesterone	1097 ng/L	N/A	99.5%	5.0 ng/L	N/A	N/A	J-00121589
Trimethoprim	415 ng/L	N/A	99.5%	2.0 ng/L	N/A	N/A	J-00121587

Application Guidelines/Water Supply Parameters

Service Flow	0.5 gpm (1.9 lpm)
Water Supply	Potable Water

Water Pressure	40-120 psi (2.8-8.2 bar)
Water Temperature	33°F-100°F (0.6°C-38°C)

It is essential that the manufacturer's recommended installation, maintenance and filter replacement requirements be carried out for the product to perform as advertised. See Installation Manual for Warranty information.

NOTE: While the testing was performed under standard laboratory conditions, actual performance may vary. Contaminant reduction testing is conducted every five years by certifying agency to maintain certification.

Replacement Cartridge: MWF. For estimated costs of replacement elements please call 1.877.959.8688 or visit our website at geappliancesparts.com.

⚠ WARNING

To reduce the risk associated with ingestion of contaminants:

- Do not use with water that is microbiologically unsafe or of unknown quality without adequate disinfection before and after the system. Systems certified for cyst reduction may be used on disinfected water that may contain filterable cysts.

NOTICE

To reduce the risk associated with property damage due to water leakage:

- Read and follow use instructions before installation and use of this system.
- Installation and use **MUST** comply with all state and local plumbing codes.
- Do not install if water pressure exceeds 120 psi (8.2 bar). If your water pressure exceeds 80 psi (5.5 bar), you **must** install a pressure-limiting valve. Contact a plumbing professional if you are uncertain how to check your water pressure.
- Do not install where water hammer conditions may occur. If water hammer conditions exist you **must** install a water hammer arrester. Contact a plumbing professional if you are uncertain how to check for this condition.
- Do not install on hot water supply lines. The maximum operating water temperature of this filter system is 100° F (38° C).
- Protect filter from freezing. Drain filter when temperatures drop below 33°F (0.6°C).
- The disposable filter cartridge **should** be replaced every 6 months at the rated capacity, or sooner if a noticeable reduction in flow rate occurs.



Tested and certified by NSF International against NSF/ANSI Standard 42 and Standard 53 in model GE Appliances MWF for the reduction of the claims specified on the performance data sheet.

MWF Water Filter Cartridge Limited Warranty

Contact us at cafeappliances.com/parts

For the period of	GE Appliances will replace
Thirty Days From the date of the original purchase	Any part of the water filter cartridge which fails due to a defect in materials or workmanship during this limited thirty-day warranty .*

What GE Appliances will not cover:

- Service trips to your home to teach you how to use the product.
- Improper installation.
- Failure of the product if it is abused, misused, used for other than the intended purpose or used commercially.
- Replacement of house fuses or resetting of circuit breakers.
- Damage to the product caused by accident, fire, floods, or acts of God.
- Incidental or consequential damage caused by possible defects with this appliance.

EXCLUSION OF IMPLIED WARRANTIES

Your sole and exclusive remedy is part exchange as provided in this Limited Warranty. Any implied warranties, including the implied warranties of merchantability or fitness for a particular purpose, are limited to six months or the shortest period allowed by law.

This warranty is extended to the original purchaser and any succeeding owner for products purchased for home use within the USA. In Alaska, the warranty excludes the cost of shipping or service calls to your home.

Some states do not allow the exclusion or limitation of incidental or consequential damages. This warranty gives you specific legal rights, and you may also have other rights which vary from state to state. To know what your legal rights are, consult your local or state consumer affairs office or your state's Attorney General.

For Purchases Made In Iowa: This form must be signed and dated by the buyer and seller prior to the consummation of this sale.

This form should be retained on file by the seller for a minimum of two years.

Buyer:

_____ State _____ Zip _____

_____ Signature _____ Date _____

Seller:

_____ City _____ State _____ Zip _____

_____ Signature _____ Date _____

*If your GE Appliances part fails because of a manufacturing defect within thirty days from the date of original purchase for use, we will give you a new or, at our option, a rebuilt part without charge. Return the defective part to the parts supplier from whom it was purchased together with a copy of the "proof of purchase" for the part. If the part is defective and shows no signs of abuse, it will be exchanged. The warranty does not cover the failure of parts which are damaged while in your possession, are abused, or have been installed improperly. It does not cover the cost of returning the part to the supplier from whom it was purchased nor does it cover the cost of labor to remove or install it to diagnose the fault. It does not cover parts used in products in commercial use except in the case of air conditioning equipment. In no event shall GE Appliances be liable for consequential damages.

Warrantor: GE Appliances, a Haier company
Louisville, KY 40225

Staple your receipt here. Proof of the original purchase date is needed to obtain service under the warranty.

Consumer Support

Café Website

Have a question or need assistance with your appliance? Try the Café website 24 hours a day, any day of the year! You can also shop for more great Café products and take advantage of all our on-line support services designed for your convenience. In the US: cafeappliances.com In Canada: cafeappliances.ca

Register Your Appliance

Register your new appliance on-line at your convenience! Timely product registration will allow for enhanced communication and prompt service under the terms of your warranty, should the need arise. You may also mail in the pre-printed registration card included in the packing material. In the US: cafeappliances.com/register
In Canada: cafeappliances.ca

Schedule Service

Expert Café repair service is only one step away from your door. Get on-line and schedule your service at your convenience any day of the year. In the US: cafeappliances.com/service In Canada: cafeappliances.ca

Extended Warranties

Purchase a Café extended warranty and learn about special discounts that are available while your warranty is still in effect. You can purchase it on-line anytime. Café Service will still be there after your warranty expires.
In the US: cafeappliances.com/extended-warranty In Canada: cafeappliances.ca

Parts and Accessories

Individuals qualified to service their own appliances can have parts or accessories sent directly to their homes (VISA, MasterCard and Discover cards are accepted). Order on-line today 24 hours every day.
In the US: cafeappliances.com/parts

Instructions contained in this manual cover procedures to be performed by any user. Other servicing generally should be referred to qualified service personnel. Caution must be exercised, since improper servicing may cause unsafe operation.

Customers in Canada should consult the yellow pages for the nearest Mabe service center, visit our website at cafeappliances.com/parts

Contact Us

If you are not satisfied with the service you receive from Café, contact us on our website with all the details including your phone number, or write to:

In the US: General Manager, Customer Relations | Café Appliances, Appliance Park | Louisville, KY 40225
cafeappliances.com/contact

In Canada: Director, Consumer Relations, Mabe Canada Inc. | Suite 310, 1 Factory Lane | Moncton, N.B. E1C 9M3
cafeappliances.ca



DISTINCT BY DESIGN™

Manuel d'utilisation et d'installation

Réfrigérateur côte à côte

Modèles : CSB42, CSB48

Contents

Consignes de sécurité	3	Installation	19
Utilisation du réfrigérateur		Préparation avant installation du réfrigérateur	19
Contrôles	5	Installation du réfrigérateur	20
Distributeur	8	Conseils de dépannage	
Machine à glaçons automatique	10	Fonctionnement normal	28
Filtre à eau	11	Conseils de dépannage	29
Tiroir à régulation climatique	12	Garantie limitée	33
Fonction TurboCool™	12	Assistance à la clientèle	
Fonction TurboFreeze™	12	Données de performance	34
Tiroirs de rangement	13	Certificat de garantie du filtre à eau	
Tablettes	14	à cartouche MWF	35
Balconnets et paniers	15	Assistance à la clientèle	36
WiFi	16		
Entretien et nettoyage	17		

Inscrivez ici les numéros de modèle et de série :

Modèle # _____

Numéro de Série # _____

Vous trouverez ces numéros sur une étiquette dans le bas du compartiment réfrigérateur sous le plateau le plus bas.

FRANÇAIS

NOUS VOUS REMERCIONS D'ACCUEILLIR CAFÉ CHEZ VOUS

Nous sommes fiers du savoir-faire, de l'innovation et de l'esthétique qui composent chaque appareil Café, et nous pensons que vous le serez aussi. Dans cette optique, nous vous rappelons que l'enregistrement de votre électroménager vous assure la communication de renseignements importants sur le produit et la garantie lorsque vous en avez besoin.

Enregistrez votre électroménager Café en ligne dès maintenant. Des sites Web utiles figurent dans la section Soutien au consommateur de ce manuel d'utilisation. Vous pouvez aussi poster la fiche de garantie pré-imprimée incluse dans l'emballage.

C A F É

DISTINCT BY DESIGN™

INFORMATION DE SÉCURITÉ IMPORTANTES

LISEZ TOUTES LES DIRECTIVES AVANT D'UTILISER L'APPAREIL

⚠ AVERTISSEMENT

Pour réduire le risque d'incendie, d'explosion, de choc électrique ou de blessures lorsque vous utilisez votre réfrigérateur, veuillez suivre ces consignes de sécurité :

- Ce réfrigérateur doit être correctement installé conformément aux Consignes d'Installation avant toute utilisation.
- Débranchez le réfrigérateur avant d'effectuer une réparation, de remplacer une ampoule ou de le nettoyer.
Remarque : L'alimentation du réfrigérateur ne peut être déconnectée par aucune des fonctions sur le panneau de commande.
Remarque : Les réparations doivent être effectuées par un professionnel qualifié.
- Remettez toutes les pièces et panneaux en place avant d'utiliser l'appareil.
- N'utilisez pas un cordon de rallonge.
- Gardez les matériaux et vapeurs inflammables loin du réfrigérateur.
- N'entreposez pas dans cet électroménager des substances explosives telles que des bombes aérosols qui contiennent un gaz propulseur.
- Pour éviter les risques d'asphyxie et d'enfermement pour les enfants. Démontez les portes du congélateur et du compartiment de réfrigération avant de le mettre au rebut ou d'interrompre son utilisation.
- Afin de prévenir les accidents graves ou la mort, les enfants ne doivent pas se tenir ni jouer dans ou sur l'électroménager.
- Les enfants et les personnes dont les capacités sont réduites sur le plan physique, sensoriel ou mental, ou qui manquent d'expérience ou de connaissances, peuvent utiliser cet électroménager seulement si elles sont surveillées ou ont reçues des consignes de sécurité sur son usage et les risques y sont associés.
- Cet électroménager est conçu pour une utilisation domestique et applications similaires : salle du personnel dans une usine, un bureau ou d'autres lieux de travail; maison de ferme; clients dans un hôtel, un motel, un gîte touristique et d'autres lieux résidentiels; approvisionnement et applications similaires non reliées au commerce de détail.
- Raccordez l'appareil à une alimentation d'eau potable seulement. Une alimentation d'eau froide est requise pour faire fonctionner la machine à glaçons et le pichet à remplissage automatique. La pression d'eau doit se situer entre 40 et 120 psi. (275 à 827 kPa).
- N'appliquez pas de nettoyants corrosifs sur le réfrigérateur. Certains nettoyants endommagent le plastique et peuvent ainsi causer le détachement inopiné de pièces telles que porte ou poignées de porte. Voyez la section Entretien et nettoyage pour des instructions détaillées.

⚠ ATTENTION

Pour réduire le risque de blessures lorsque vous utilisez votre réfrigérateur, veuillez suivre ces consignes de sécurité.

- Ne nettoyez pas les clayettes ou les couvercles en verre avec de l'eau tiède quand ceux-ci sont froids. Les clayettes et couvercles en verre peuvent se casser s'ils sont exposés à des changements soudains de température ou si vous les cognez ou les faites tomber. Le verre trempé est conçu pour se briser en petits morceaux en cas de casse.
- Éloignez les doigts des parties du congélateur où l'on peut facilement se pincer : les espaces entre les portes, et entre les portes et les placards sont toujours étroits. Soyez prudent lorsque vous fermez les portes en présence d'enfants.
- Ne touchez pas les surfaces froides du congélateur lorsque vous avez les mains humides ou mouillées. La peau risque d'adhérer à ces surfaces extrêmement froides.
- Ne recongelez pas les aliments surgelés qui ont complètement dégelé.
- Si votre réfrigérateur est doté d'une machine à glaçons automatique, évitez le contact avec les pièces mobiles du mécanisme éjecteur, ou avec l'élément chauffant qui libère les glaçons. Ne posez pas les doigts ou les mains sur le mécanisme de la machine à glaçons automatique pendant que le réfrigérateur est branché.

⚠ AVERTISSEMENT



RISQUE D'INCENDIE OU D'EXPLOSION Fluide frigorigène inflammable

Cet électroménager contient le réfrigérant isobutane, aussi connu comme R600a, un gaz naturel à compatibilité élevée avec l'environnement. Il s'agit cependant d'un combustible. Observez les consignes de sécurité ci-dessous afin de réduire le risque de blessure ou de dommage à la propriété.

1. Lors de la manipulation, de l'installation et de l'utilisation de cet appareil, prenez soin de ne pas endommager les tubes de circulation du fluide frigorigène.
2. L'entretien ou la réparation doivent être effectués par un personnel de service autorisé. Utilisez seulement des pièces de rechange autorisées par le fabricant.
3. Mettez le réfrigérateur au rebut conformément aux réglementations fédérales et locales. Le fluide frigorigène inflammable et le matériel isolant utilisés nécessitent des procédures de mise au rebut spéciales. Communiquez avec les autorités locales compétentes pour la mise au rebut de votre réfrigérateur sans danger pour l'environnement.
4. N'obstruez pas les événements dans l'enceinte prévue pour l'appareil.
5. Pour retirer le givre, grattez à l'aide d'un grattoir ou d'une spatule en plastique ou en bois. N'utilisez pas un pic à glace ni un instrument métallique ou aux arêtes coupantes car il y a un risque de percer la doublure du congélateur et la tubulure du réfrigérant inflammable derrière elle.
6. N'utilisez pas d'appareils électriques dans le compartiment réfrigérateur de cet appareil.
7. N'utilisez aucun appareil électrique pour dégivrer votre congélateur.

LIRE ET CONSERVER CES INSTRUCTIONS

INFORMATION DE SÉCURITÉ IMPORTANTES

LISEZ TOUTES LES DIRECTIVES AVANT D'UTILISER L'APPAREIL

INSTALLATION

⚠ AVERTISSEMENT



RISQUE D'INCENDIE OU D'EXPLOSION

Conservez les matériaux et vapeurs inflammables à l'écart de votre réfrigérateur. Une explosion, un incendie voire la mort pourrait en résulter.

⚠ AVERTISSEMENT



Risque de basculement

Ces électroménagers sont lourds dans le haut, en particulier avec une porte ouverte, de sorte qu'ils doivent être fixés afin de prévenir un basculement vers l'avant pouvant occasionner des blessures graves ou la mort. Veuillez lire et suivre la totalité des instructions d'installation afin de fixer votre électroménager par un dispositif antibasculement.

BRANCHEMENTS ÉLECTRIQUES

⚠ AVERTISSEMENT



RISQUE DE CHOC ÉLECTRIQUE

Branchez l'appareil dans une prise triple avec terre.

Ne retirez pas la broche de terre.

N'utilisez pas d'adaptateur.

N'utilisez pas un cordon de rallonge.

Le non-respect de ces instructions peut entraîner des risques d'incendies, des chocs électriques ou la mort.

Ne coupez pas ou n'enlevez pas, sous aucun prétexte, la troisième broche de mise à la terre du cordon d'alimentation. Pour des raisons de sécurité, cet appareil doit être correctement mis à la terre.

Le cordon d'alimentation de cet appareil est équipé d'une fiche à trois broches (pour une mise à la terre) qui s'adapte à la prise de courant standard à 3 broches (pour une mise à la terre) pour minimiser les risques de chocs électriques par cet appareil.

Faites vérifier la prise murale et le circuit électrique par un électricien qualifié pour s'assurer que le système est correctement mis à la terre.

Dans le cas d'une prise biphasée, l'installateur a la responsabilité et l'obligation de la remplacer par une prise triphasée correctement mise à la terre. N'utilisez pas d'adaptateur.

Le réfrigérateur doit toujours être branché à sa propre prise électrique d'une tension nominale correspondant à celle indiquée sur sa plaque signalétique.

Une alimentation électrique à 115 volts CA, 60 Hz, avec un fusible de 15 ou 20 ampères et une mise à la terre est nécessaire. Ceci permet d'obtenir un meilleur rendement et évite de surcharger les circuits électriques du domicile qui risque d'occasionner un incendie en surchauffant.

Ne débranchez jamais le réfrigérateur en tirant sur le cordon d'alimentation. Prenez toujours fermement la fiche en main et tirez pour la sortir de la prise.

Réparez ou remplacez immédiatement tout cordon électrique usé ou endommagé. N'utilisez pas un cordon fissuré ou présentant des dommages dus aux frottements soit sur sa longueur ou aux extrémités.

Lorsque vous éloignez votre réfrigérateur du mur, faites attention à ne pas le faire rouler sur le cordon d'alimentation afin de ne pas l'endommager.

MISE AU REBUT APPROPRIÉE DE VOTRE ANCIEN RÉFRIGÉRATEUR

⚠ AVERTISSEMENT

RISQUE DE SUFFOQUER OU D'Y ÊTRE EMPRISONNÉ

Le non-respect de ces instructions d'élimination peut entraîner la mort ou des blessures graves.

IMPORTANT: Les enfants pris au piège ou morts d'asphyxie sont toujours d'actualité. Les réfrigérateurs et congélateurs abandonnés sont toujours aussi dangereux, même si on n'attend que «quelques jours» pour s'en débarrasser. Si vous ne gardez pas votre ancien réfrigérateur ou congélateur, veuillez suivre les directives ci-dessous afin de prévenir les accidents.

Avant de vous débarrasser de votre ancien appareil :

- Démontez les portes du compartiment de réfrigération et du compartiment de congélation.
- Laissez les clayettes en place afin d'empêcher les enfants de grimper à l'intérieur.

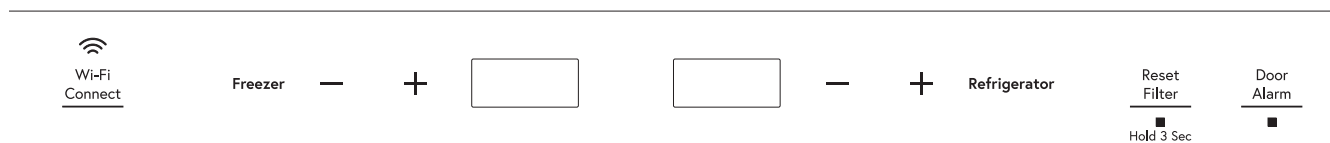
Mise au rebut des produits réfrigérants et en mousse

Mettez l'électroménager au rebut conformément à la réglementation fédérale et locale. Le réfrigérant inflammable ainsi que le matériau d'isolation utilisés exigent des procédures d'élimination particulières. Communiquez avec les autorités locales pour connaître la façon de mettre votre électroménager au rebut qui soit respectueuse de l'environnement.

LIRE ET CONSERVER CES INSTRUCTIONS

Contrôles

Modèles sans distributeur



REMARQUE: Le réfrigérateur est livré avec un film protecteur sur les commandes de températures. Si le film n'a pas été retiré pendant l'installation, retirez-le maintenant.

Les commandes de températures sont préréglées en usine à 37°F (3°C) pour le compartiment réfrigérateur et à 0°F (-18°C) pour le compartiment congélateur. Veuillez attendre 24 heures pour que la température se stabilise au préréglage recommandé.

Changer la température dans le cas d'un modèle sans distributeur

Pour changer la température, pressez et relâchez la touche (+) ou (-) jusqu'au réglage de température désiré, séparément pour les compartiments réfrigérateur et congélateur. Allouez 24 heures au réfrigérateur pour atteindre la température réglée.

Pour désactiver le système de refroidissement, maintenez une

pression sur l'une ou l'autre touche (+) jusqu'à ce que les deux afficheurs indiquent **OFF** (DÉSACTIVÉ).

Machine à glaçons pour modèles sans distributeur

Pour mettre la machine à glaçons hors tension (OFF), maintenez une pression sur les touches + et - du réfrigérateur simultanément durant 5 secondes. L'afficheur de température indiquera ICE OFF (glace désactivée) ou ICE ON (glace activée) en fonction du mode puis retournera en affichage normal après 5 secondes.

Mode Sabbat

Pour régler le mode Sabbat, appuyez et maintenez simultanément sur les touches FREEZER « + » et « - » enfoncées pendant 5 secondes. L'afficheur de température indiquera « SA » pendant 5 secondes puis l'afficheur et les témoins s'éteindront. Les témoins et

l'afficheur seront éteints jusqu'à ce que le mode Sabbat soit désactivé. Répétez cette procédure pour éteindre le mode Sabbat. Le mode Sabbat quittera automatiquement cette fonction après 4 jours du calendrier ou 96 heures. Le réglage de la température sera affiché.

Contrôles

Modèles avec distributeur

Nous mettons constamment à jour notre logiciel. Veuillez vous reporter au manuel d'utilisation complet en ligne pour connaître la fonction la plus récente sur visitez cafeappliances.ca.

Les réglages de température recommandés, préréglés à l'usine, sont 37 °F (3 °C) pour le réfrigérateur et 0 °F (-18 °C) pour le congélateur.

REMARQUE: Le réfrigérateur est livré avec un film protecteur sur les commandes de températures. Si le film n'a pas été retiré pendant l'installation, retirez-le maintenant.

Les commandes de températures sont préréglées en usine à 37°F (3°C) pour le compartiment réfrigérateur et à 0°F (-18°C) pour le compartiment congélateur. Veuillez attendre 24 heures pour que la température se stabilise au préréglage recommandé.

Pour modifier la température du réfrigérateur :

Pressez le bouton **Settings** (fonctions) (⚙️) jusqu'à ce que le mot « Fridge » (réfrigérateur) s'illumine. Pressez les boutons des flèches vers le haut ou le bas pour augmenter ou diminuer les réglages de température.

Pour modifier la température du congélateur :

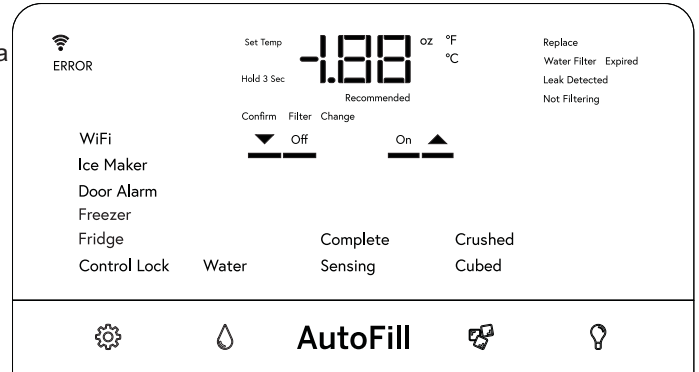
Pressez le bouton Settings (fonctions) (⚙️) jusqu'à ce que « Freezer » (congélateur) s'illumine. Pressez les boutons des flèches vers le haut ou le bas pour augmenter ou diminuer les réglages de température.

On peut désactiver le système de refroidissement en pressant le bouton Settings (fonctions) (⚙️) jusqu'à ce que le mot « Fridge » (réfrigérateur) ou « Freezer » (congélateur) s'illumine. Maintenez simultanément une pression sur les boutons des flèches vers le haut et le bas durant 3 secondes. Le signe « - - » s'affiche lorsque le système est désactivé. La désactivation du système de refroidissement fait cesser le refroidissement du réfrigérateur, mais ne coupe pas l'alimentation électrique. On peut activer le système de refroidissement en retournant à la fonction « Fridge » (réfrigérateur) ou « Freezer » (congélateur) et en pressant le bouton On (marche).

Control Settings

Fonctions (⚙️) (icône roue dentelée) - Pressez pour faire défiler les fonctions du réfrigérateur.

- **Control Lock** (verrouillage des commandes) - Pressez ON (marche) ou OFF (arrêt) pour activer. Maintenez une pression sur Off durant 3 secondes pour désactiver.
- **Fridge** (réfrigérateur) - Pressez les boutons Haut ou Bas pour augmenter ou diminuer la température de 34 °F (1 °C) à 42 °F (6 °C).
- **Freezer** (congélateur) - Pressez les boutons Haut ou Bas pour augmenter ou diminuer la température de -6°F (-21°C) à 5°F (-15°C).
- **Door Alarm** (alarme de porte) - Déclenche une alarme lorsque les portes du congélateur ou du réfrigérateur sont laissées ouvertes. Éteignez l'alarme en appuyant sur l'une des touches. Appuyez sur « ON » ou « Off » pour activer ou désactiver l'alarme de porte pendant qu'une alarme est inactive.



- **Ice Maker** (machine à glaçons) - Pressez On ou Off pour démarrer/arrêter la machine à glaçons.
- **WiFi (Wi-Fi)** - Appuyez sur « On » pour commencer la procédure de connexion Wi-Fi selon les instructions de la page 13. Appuyez sur « Off » pour désactiver le Wi-Fi. Notez que le redémarrage du Wi-Fi exige que vous recommenciez la procédure de connexion Wi-Fi.

Water (💧) (eau)- Pressez pour sélectionner Ice (glace) ou Water (eau) à distribuer sur pression de la palette.

AutoFill (remplissage automatique) - Pressez pour activer la détection automatique qui activera le distributeur.

Ice (🧊) (glace) - Pressez pour sélectionner Crushed (glace pilée) ou Cubed (glaçons) à distribuer sur pression de la palette.

Light (💡) (éclairage) - Pressez pour éclairer le distributeur. Un carillon accompagnera chaque pression.

Fahrenheit / Celsius:

On peut basculer l'affichage de la température entre Fahrenheit et Celsius. Pressez le bouton Settings (fonctions) (⚙️) pour naviguer à « Fridge » (réfrigérateur) ou « Freezer » (congélateur), puis maintenez une pression sur les boutons Ice (glace) et Light (lampe) durant trois secondes.

Contrôle du volume sonore :

On peut régler le volume de l'alerte de High (haut) à Low (bas) et Off (désactivé). Pressez le bouton Settings (fonctions) (⚙️) pour naviguer à « Icemaker » (machine à glaçons), puis maintenez une pression sur les boutons Ice (glace) et Light (lampe) durant trois secondes.

Mode Sabbat :

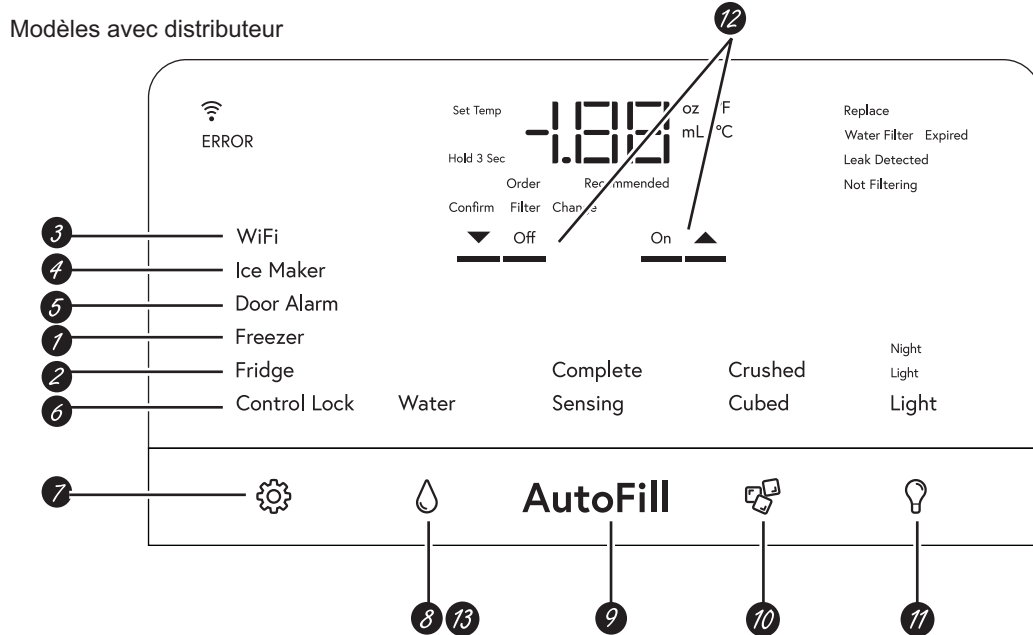
Pressez simultanément les boutons Settings (fonctions) (⚙️), Water (eau) et Light (lampe) durant trois secondes pour entrer dans le mode Sabbat et en sortir. L'afficheur indiquera « SA » pour indiquer l'entrée dans ce mode, que vous quitterez automatiquement au bout de 4 jours du calendrier (96 heures). Le réglage de la température sera affiché.

Détection de présence :

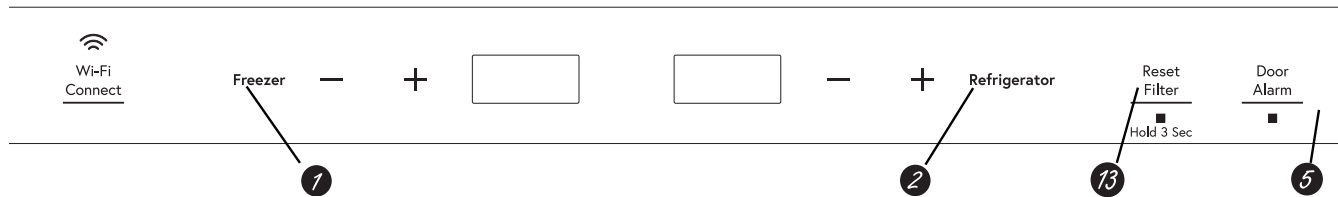
Le Café est doté d'un capteur qui détecte votre présence lorsque vous approchez du réfrigérateur. Il allume alors la lampe encastrée et active la barre de commande rapide (celle-ci s'allume). Pour activer ou désactiver la fonction de détection de présence, naviguez jusqu'à **Ice Maker** dans le menu SETTINGS menu, et maintenez une pression sur WATER et LIGHT durant 3 secondes. Les lettres « PS » (Presence Sense) s'afficheront. Pressez On pour activer ou Off pour éteindre.

Contrôles

Certaines fonctions ne sont pas offertes sur tous les modèles.



Modèles sans distributeur



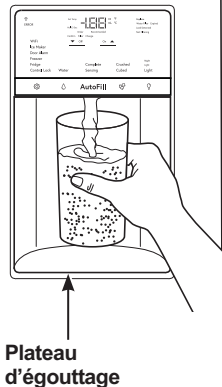
- 1 Gestion de la température du congélateur**
Ajuster la température du compartiment congélateur.
- 2 Gestion de la température du compartiment pour les aliments frais**
Ajuster la température du compartiment pour les aliments frais.
- 3 WiFi (Wi-Fi)**
Allume (ON) ou éteint (OFF) le Wi-Fi.
- 4 Icemaker (Machine à glaçons)**
Allume (ON) ou éteint (OFF) la machine à glaçons.
- 5 Door Alarm (Alarme de porte)**
Émet une alerte lorsque les portes congélateur ou réfrigérateur sont laissées ouvertes durant plus de 2 minutes. Pressez Door Alarm puis sélectionnez ON ou OFF.
- 6 Control Lock (Verrouillage des commandes)**
Verrouille le distributeur de glaçons et d'eau ainsi que toutes les boutons de fonction et de température.
- 7 Icône des fonctions**
Permet de changer les fonctions de l'appareil.
- 8 Icône de goutte d'eau**
Distribue de l'eau lorsque la palette est actionnée.
- 9 AutoFill (Remplissage automatique)**
Active la fonction AutoFill et remplit automatiquement le contenant.
- 10 Icône de glaçons**
Distribue des glaçons lorsque la palette est actionnée.
- 11 Lumière DEL du distributeur**
Lumière DEL qui peut être allumée pour éclairer votre distributeur.
- 12 ON/OFF (Marche/Arrêt)**
À utiliser pour faire passer les fonctions entre ON et OFF.
- 13 Réinitialisation du filtre à eau**
Appuyez et maintenez le bouton RESET FILTER (réinitialisation du filtre) enfoncé si vous avez un modèle sans distributeur ou appuyez et maintenez le bouton WATER (eau) enfoncé si vous avez un modèle avec distributeur afin de réinitialiser le filtre.

Distributeur d'eau et de Glaçons (sur certains modèles)

Pour distribuer de l'eau ou des glaçons : sélectionnez Water (Eau), Crushed (Concassée) ou Cubes (Cubes).. Appuyez doucement le verre contre le haut du bras de distribution.

Le plateau d'égouttage ne se vidange pas automatiquement. Pour réduire les taches d'eau, vous devez nettoyer régulièrement la clayette et sa grille.

L'absence de distribution d'eau lors de l'installation initiale du réfrigérateur peut signaler la présence d'air dans la conduite d'eau. Pressez le berceau du distributeur durant au moins deux minutes pour expulser l'air emprisonné dans la conduite d'eau et remplir le système d'eau. Pour rincer les impuretés de la conduite d'eau, vidangez les quatre premiers litres d'eau.



Plateau d'égouttage

ATTENTION

Ne mettez jamais les doigts ou d'autres objets dans l'ouverture du distributeur.

Verrouillage du distributeur

Touchez Lock (Verrouillage) durant 3 secondes pour verrouiller le distributeur et le pavé des commandes. Pour déverrouiller, touchez Verrouillage de nouveau durant 3 secondes.

Lumière:

Cette fonction allume et éteint la lampe. Cette dernière s'allume aussi lorsqu'on presse le berceau du distributeur. Si la lampe vient à griller, communiquez avec le service des pièces.

AUTOFILL (Remplissage Automatique)

Pour utiliser le remplissage automatique mains libres :

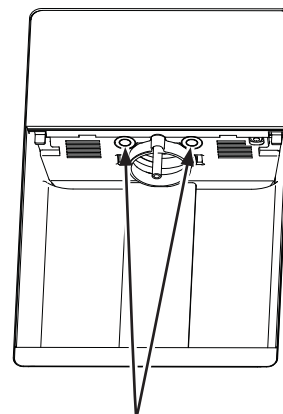
- Centrez le récipient sur la grille du distributeur sans activer le bras palpeur, puis retirez la main du récipient.
- Appuyer sur **AUTOFILL**
- Des éclaboussures pourraient se produire selon la position du récipient, le débit d'eau, la forme du récipient et la présence de glaçons
- Nettoyer les capteurs régulièrement à l'aide d'un chiffon propre et humide, et ne pas vaporiser de liquide ni de nettoyant directement sur les capteurs.
- Le remplissage automatique fonctionne mieux si la pression d'eau de la résidence se trouve entre 414 et 689 kPa (60 et 100 psi).
- La glace dans le récipient peut influencer le volume de remplissage. En cas de problème, utilisez moins de glace.

Pour arrêter le Remplissage automatique

- Appuyez sur l'une des touches, y compris AutoFill (remplissage automatique), pour arrêter.

Faits importants à propos du AUTOFILL (Remplissage automatique)

- Pour obtenir des résultats optimaux, utiliser un récipient uniforme d'une hauteur de 10 à 20 cm (4 à 8 po.) et d'une largeur de 5 à 15 cm (2 à 6 po.)
- Le niveau de remplissage et la fonctionnalité peuvent varier dans le cas de récipients dont la longueur excède 20 cm (8 po) ou la largeur, 15 cm (6 po).
- Le volume des récipients pourrait également varier. Si le mot « ERROR » (erreur) apparaît, essayez un contenant différent.
- Le remplissage automatique prendra fin automatiquement après un certain temps.
- Une poignée, des pailles, ou d'autres garnitures sur le rebord du récipient pourraient entraîner un débordement ou des variations du volume de remplissage.



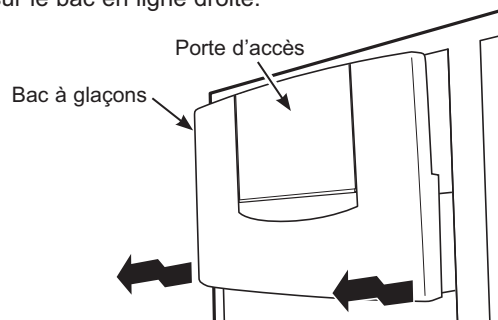
AutoFill Sensors

Distributeur d'eau et de Glaçons (sur certains modèles)

Tiroir à glace dans les modèles à distributeur de glaçons

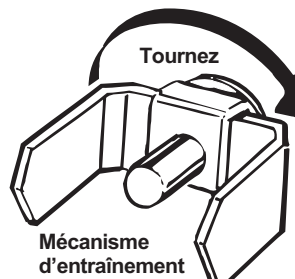
Enlèvement :

Levez la porte d'accès pour atteindre la machine à glaçons. Mettez l'interrupteur d'alimentation de la machine à glaçons à la position OFF (Arrêt). Porte d'accès fermée, supportez le dessous du bac à glaçons tout en le soulevant légèrement. Tirez sur le bac en ligne droite.



Remise en place :

Glissez le bac vers l'arrière jusqu'à ce que la languette du bac se verrouille dans la fente de la tablette. Si le bac ne glisse pas jusqu'au bout, retirez-le et tournez le mécanisme d'entraînement sur 1/4 de tour. Glissez ensuite le bac de nouveau.



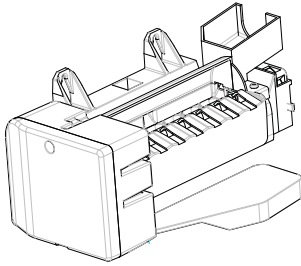
Renseignements importants concernant votre distributeur de glaçons

- N'ajoutez pas dans le bac à glaçons des glaçons non fabriqués par votre machine à glaçons. Ils risquent d'être difficiles à concasser ou à distribuer.
- Évitez de trop remplir les verres de glaçons et d'utiliser des verres étroits. Le conduit peut se bloquer et le volet peut geler et coincer. S'il y a des glaçons qui bloquent le conduit, faites-les passer au moyen d'une cuillère en bois.
- Ne placez pas de boissons ou d'aliments dans le bac à glaçons pour les rafraîchir. Les boîtes, bouteilles et paquets alimentaires peuvent coincer la machine à glaçons ou la vis sans fin.
- Afin que la glace distribuée ne puisse manquer le verre, placez le verre à proximité mais sans toucher l'ouverture du distributeur.
- Même si vous avez sélectionné Cubed, il est possible que de la glace concassée tombe dans votre verre. Cela se produit de temps à autre lorsque plusieurs glaçons sont acheminés vers le broyeur.
- Après distribution de la glace concassée, de l'eau peut s'écouler du conduit.
- Parfois, un peu de givre se forme sur le volet du conduit à glace. Ce phénomène est normal et se produit en général après des distributions répétées de glace concassée. Le givre va éventuellement évaporer.
- Le premier verre d'eau fourni pourrait être plus chaud que les suivants. Ceci est normal.
- L'eau fournie n'est pas glacée. Pour de l'eau plus froide, ajoutez tout simplement de la glace concassée ou des cubes de glace avant de verser de l'eau.
- Pour prévenir les éclaboussures sur le plateau d'égouttage, penchez légèrement le verre vers l'intérieur en distribuant l'eau.

Machine à glaçons automatique

Il faut prévoir entre 12 et 24 heures avant qu'un réfrigérateur nouvellement installé commence à produire des glaçons.

Machine à glaçons automatique



La machine à glaçons produira 7 glaçons par cycle—environ 15 cycles sur une période de 24 heures, selon la température du congélateur, la température ambiante, la fréquence d'ouverture des portes et d'autres conditions d'utilisation.

Si l'on utilise le réfrigérateur avant le raccordement de l'alimentation d'eau à la machine à glaçons, réglez la machine à glaçons à OFF (Arrêt) sur le panneau de commande.

Une fois l'alimentation d'eau raccordée au réfrigérateur, réglez la machine à glaçons à ON (Marche) sur le panneau de commande.

Sur les modèles avec distributeur, on peut allumer ou éteindre la machine à glaçons au moyen de l'option Ice Maker (Machine à glaçons) sur le panneau de commande.

⚠ ATTENTION

Manipulez les tablettes en verre avec précaution. Les tablettes et couvercles en verre peuvent se briser s'ils sont soumis à un impact en les heurtant ou les échappant. S'il se brise, le verre trempé est conçu pour se fracturer en un grand nombre de petits éclats.

Faits importants concernant votre machine à glaçons

- Vous entendrez un bourdonnement chaque fois que la machine à glaçons se remplit d'eau.
- Jetez les premiers lots de glaçons afin d'éliminer les impuretés provenant de la conduite d'eau.
- Assurez-vous que rien ne gêne le mouvement du bras régulateur.
- La machine à glaçons cesse de produire de la glace lorsque le bac se remplit jusqu'au niveau du bras régulateur. Il est normal de constater l'agglutination de plusieurs cubes.
- Si l'on ne consomme pas de glace fréquemment, les vieux cubes deviendront laiteux et rétrécis et leur goût sera altéré.

REMARQUE : Si la pression d'eau du domicile est inférieure à la moyenne, vous pourriez entendre la machine à glaçons exécuter plusieurs cycles lors de la production d'un lot de glace. La machine à glaçons fonctionne mieux lorsque la pression se situe entre 40 et 120 psi (275 et 827 kPa).

MODE SABBAT

Le mode Sabbat est conçu pour des fêtes juives comme le Sabbat. Cette fonction permet aux Juifs pratiquants de réfrigérer et de congeler des aliments pendant la durée de ces fêtes.

On peut régler le mode Sabbat pour annuler les gestes de commande habituels sur votre réfrigérateur. Dans ce mode, votre réfrigérateur fonctionnera encore normalement. Cependant, il ne répondra pas à vos actions.

En mode Sabbat, vous pourriez noter que le ventilateur fonctionne lorsque la porte est ouverte; Cela ne sera toutefois pas le résultat de vos actions. Le ventilateur fonctionnera d'une façon aléatoire. L'élément chauffant du dégivrage continuera à dégivrer le réfrigérateur et le congélateur mais sur activation d'une minuterie. Cet élément ne dégivrera pas selon les ouvertures de porte ou toute action du consommateur.

MODE SABBAT — Pressez simultanément les boutons **Settings (fonctions)** (⚙️), **Water (eau)** et **Light (lampe)** durant trois secondes pour entrer dans le mode Sabbat et en sortir. L'écran affichera "SA" et le mode quittera automatiquement cet état de fonction après 4 jours civils ou 96 heures. Le point de consigne de température s'affiche.

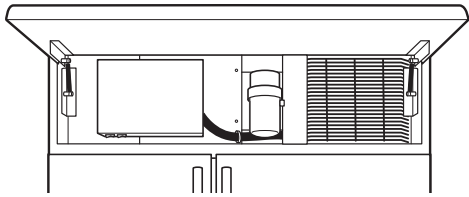
AFFICHEURS, ALARMES et LAMPES — La commande de température principale, les alarmes de porte et les lampes seront désactivées.

MACHINE À GLAÇONS— La machine à glaçons sera désactivée.

Filtre à Eau (sur certains modèles)

Cartouche du filtre à eau

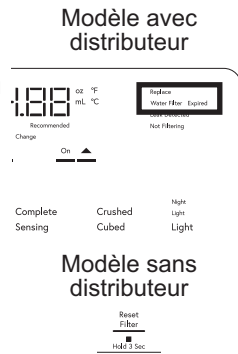
La cartouche du filtre à eau est située derrière le couvercle supérieur dans le haut du réfrigérateur.



À quel moment remplacer le filtre des modèles avec témoin de remplacement

Ce témoin indique la nécessité de remplacer la cartouche du filtre à eau du distributeur. Ce témoin devient orange pour vous avertir de remplacer bientôt le filtre.

Vous devez remplacer la cartouche de filtre lorsque le témoin devient rouge ou quand le débit de l'eau du distributeur d'eau ou de glace diminue.



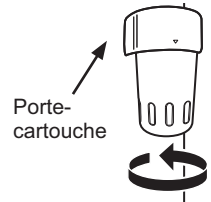
Retrait de la cartouche du filtre

Lorsque vous devez remplacer la cartouche, enlevez d'abord la cartouche usagée en la tournant lentement vers la gauche. Ne tirez pas sur la cartouche. Un peu d'eau peut s'écouler.

REMARQUE : Pour réduire le risque associé aux dommages matériels causés par des fuites d'eau, lisez et suivez les instructions avant de procéder à l'installation et d'utiliser votre système. L'installation et l'utilisation DOIVENT être conformes à tous les codes locaux et nationaux de plomberie.

Installation de la cartouche du filtre à eau

- 1 Remplissez la cartouche de rechange avec de l'eau du robinet immédiatement après l'installation afin de permettre un meilleur débit du distributeur.
- 2 Alignez la flèche de la cartouche avec celle de porte-cartouche. Placez le dessus de la nouvelle cartouche vers le haut à l'intérieur du porte-cartouche. Ne l'enfoncez pas dans le porte-cartouche.
- 3 Tournez lentement la cartouche vers la droite jusqu'à ce que la cartouche s'immobilise. **NE SERREZ PAS TROP FORT.** Lorsque vous la tournez, elle se relèvera automatiquement en place. La cartouche fera approximativement un demi-tour.
- 4 Faites couler six litres d'eau du distributeur (environ trois minutes) pour rincer le système et éviter les égouttements.
- 5 Pour réinitialiser le témoin du filtre à eau, maintenez une pression sur le bouton RESET FILTER sur les modèles sans distributeur. Sur un modèle avec distributeur, naviguez le menu SETTINGS jusqu'à **Ice Maker** puis maintenez une pression sur WATER et ICE durant 3 secondes.

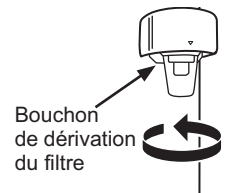


REMARQUE : Il est possible que de l'eau jaillisse du distributeur après l'installation d'une cartouche neuve.

Bouchon de dérivation du filtre

Vous devez utiliser un bouchon de dérivation du filtre :

- a) Si vous avez un système de filtration par osmose inverse domestique et/ou un autre type de système de filtration d'eau domestique.
- b) Si un filtre de rechange n'est pas disponible.



Pour obtenir un bouchon de dérivation gratuitement, visitez cafeappliances.com. Au Canada, visitez cafeappliances.ca. Le bouchon de dérivation est installé de la même manière que le filtre à eau en cartouche.

La machine à glaçons ne fonctionnera pas sans que le filtre ou le bouchon de dérivation ne soit installé.

⚠ AVERTISSEMENT

Pour réduire le risque d'étouffement pendant l'installation de ce produit, ne pas laisser les petites pièces à la portée des enfants âgés de moins de 3 ans. La cartouche de filtre jetable doit être remplacée tous les 6 mois, si sa capacité nominale est atteinte ou si une réduction notable du débit est observée.

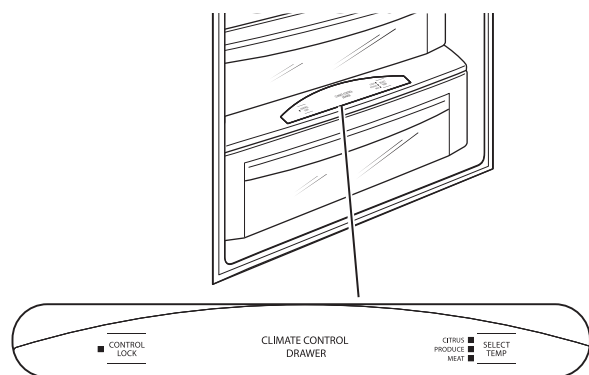
Pour les meilleurs résultats de votre système de filtration, GE Appliances, a Haier company, recommande l'utilisation de filtres de marque GE Appliances seulement. L'utilisation de filtres de marque GE Appliances dans les réfrigérateurs CAFE procure les meilleurs rendement et fiabilité. Les filtres notre satisfont aux rigoureuses normes NSF de l'industrie relatives à la sûreté et la qualité, facteur important pour les produits qui filtrent votre eau. Il n'y a pas de certitude que les marques de filtre autres GE Appliances satisferont nos normes de qualité, de rendement et de fiabilité.

Pour toute question ou pour commander des cartouches filtrantes de rechange, visitez notre site Web au cafeappliances.ca ou consultez les pages jaunes pour trouver le Centre de service Camco le plus près.

Tiroir à régulation climatique

La fonction **Climate Control** (Régulation climatique) est matérialisée par un système de registres, un ventilateur, une thermistance et un élément chauffant. Le tiroir à régulation climatique est utilisé pour ranger des aliments à leurs températures optimales.

Le tiroir est bien isolé pour prévenir des fluctuations de température dans le reste du réfrigérateur.



SELECT TEMP (Sélection de la température) – Utilisez cette fonction pour ranger les aliments à leur température optimale. Consultez le tableau Régulation climatique ci-dessous.

CONTROL LOCK (Verrouillage des commandes) – Utilisez cette fonction pour verrouiller les commandes de température.

REMARQUE : Lorsque les commandes du tiroir à régulation climatique sont désactivés, le tiroir maintient les températures à 42-48°F (5.6-8.9°C)

Tableau de la fonction de la régulation climatique

REMARQUE : Les résultats peuvent varier selon l'emballage, la température de départ et les caractéristiques des aliments.

CITRUS ■
PRODUCE ■
MEAT ■

SELECT
TEMP

Viande crue, poisson et volaille

Maintenez une pression sur cette touche durant 3 secondes pour verrouiller les réglages du tiroir à régulation climatique. Pour déverrouiller, maintenez une pression de nouveau durant 3 secondes.

CONTROL
LOCK

Réglage pour les agrumes (39–47°F) (3.9-8.3°C)
Oranges, Citrons, Limes, Ananas, Cantaloups
Haricots, Concombres, Tomates, Poivrons, Aubergine, Courges
Réglage pour les fruits et légumes frais (31–38°F) (-0.6 - 3.3°C)
Fraises, Framboises, Kiwis, Poires, Cerises, Mûres, Raisins, Prunes, Nectarines, Pommes
Asperges, Brocoli, Maïs, Champignons, Épinards, Choux-Fleurs, Kale, Oignons Verts, Betteraves, Oignons
Réglage pour la viande (27–37°F) (-2.8 - 2.8°C)
Viande crue, poisson et volaille

Fonction TurboCool™ du réfrigérateur

Fonction TurboCool™ (certains modèles)

Activez la fonction TurboCool™ pour rétablir rapidement la température du réfrigérateur après de fréquentes ouvertures de porte.

Les applications TurboCool^{MC} et TurboFreeze^{MC} sont des paramètres activés par l'application qui peuvent être contrôlés depuis une tablette ou un téléphone intelligent avec l'application SmartHQ.

Fonction TurboFreeze™ du réfrigérateur

Fonction TurboFreeze™ (certains modèles)

Activez la fonction TurboFreeze™ pour rétablir rapidement la température du congélateur après de fréquentes ouvertures de porte.

Les applications TurboCool^{MC} et TurboFreeze^{MC} sont des paramètres activés par l'application qui peuvent être contrôlés depuis une tablette ou un téléphone intelligent avec l'application SmartHQ.

Tiroirs de rangement

Bac à épicerie fine isolé

Utilisez le bac à épicerie fine isolé pour le rangement pratique de la viande et du fromage pour les sandwiches, les hors-d'oeuvres, les tartinades et les collations.

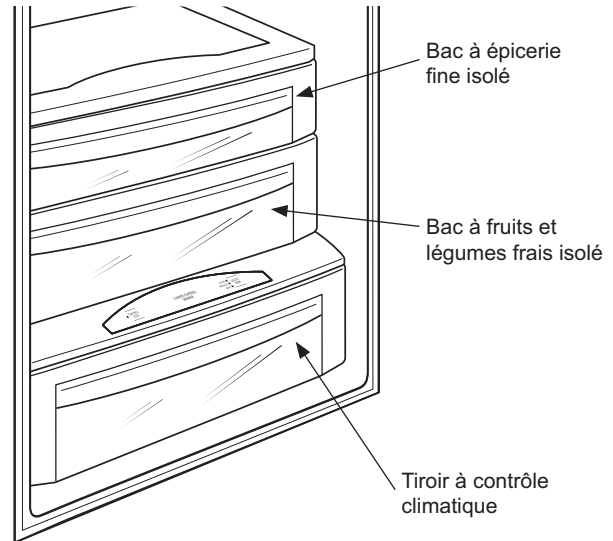
Il faut vider l'eau excédentaire qui peut s'accumuler dans le fond des tiroirs puis essuyer ceux-ci pour les sécher.

Bac à fruits et légumes frais isolé

Le bac supérieur est conçu pour procurer des niveaux d'humidité élevés et constants.

Assurez-vous que les tiroirs sont complètement fermés afin de maintenir le niveau d'humidité adéquat.

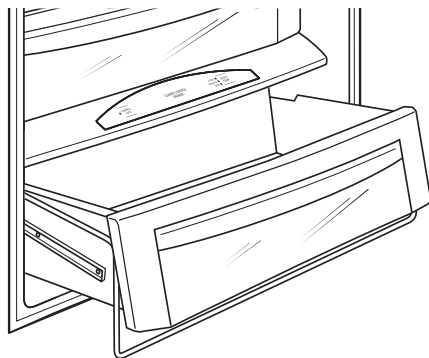
Il faut vider l'eau excédentaire qui peut s'accumuler dans le fond des tiroirs puis essuyer ceux-ci pour les sécher.



Enlèvement du tiroir/bac

Pour enlever le tiroir/bac :

1. Tirez le tiroir/bac jusqu'à sa position d'arrêt.
2. Levez l'avant du tiroir/bac puis sortez-le du support en broche.
3. Levez l'arrière du tiroir/bac puis sortez-le.



Pour remplacer le tiroir/bac :

1. Placez l'arrière du tiroir/bac dans le support en broche, en vous assurant que le support s'introduit dans les sillons sur l'arrière du tiroir/bac.
2. Baissez l'avant du tiroir/bac dans le support en broche.
3. Pressez fermement sur le dessus du tiroir/bac pour l'encliqueter dans le support.

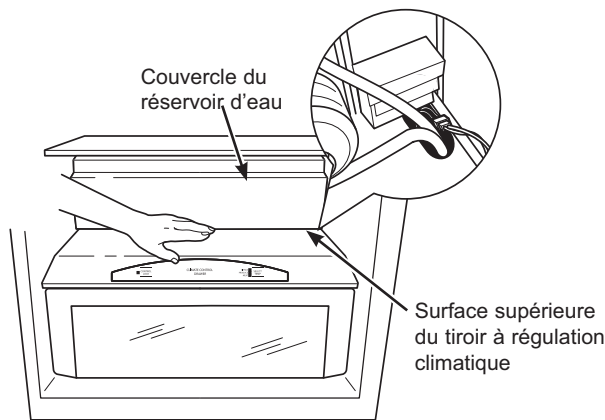
Tablettes

Tablette du bac à légumes éclairée

La tablette du bac à légumes éclairée procure de l'éclairage pour les compartiments inférieurs. Les lampes sont encastrées dans la tablette pour éclairer les tiroirs en dessous.

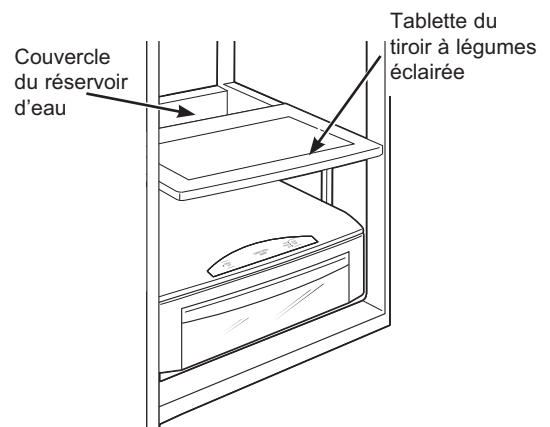
Pour enlever la tablette :

1. Enlevez le tiroir supérieur (voir la section Enlèvement du tiroir/bac).
2. Poussez délicatement sur le centre arrière de la surface supérieure du tiroir à régulation climatique pour libérer le bas du couvercle du réservoir d'eau. Tirez vers l'extérieur et le bas pour enlever le couvercle du réservoir et exposer le faisceau de fils.
3. Levez la tablette et tirez avec précaution vers l'avant pour exposer les fils.
4. Débranchez la tablette et retirez-la avec précaution du réfrigérateur.



Pour remplacer la tablette :

1. Placez délicatement la tablette dans les rails latéraux, en laissant la fiche électrique exposée.
2. Branchez la tablette sur le réfrigérateur.
3. Glissez avec précaution la tablette en place.
4. Insérez le dessus du couvercle du réservoir d'eau en premier, vers le haut et derrière le joint d'étanchéité qui pend de la tablette du tiroir à légumes. Poussez délicatement le bas du couvercle du réservoir jusqu'à ce que le bas s'encliquette dans le haut du couvercle du tiroir à régulation climatique.
5. Remplacez le tiroir (voir la section Enlèvement du tiroir/bac).

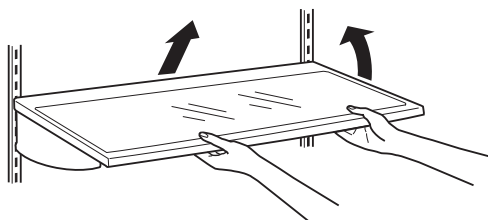


Pour redisposer les tablettes

Les tablettes en verre trempé dans le compartiment réfrigérateur et les clayettes (en broche) dans le compartiment congélateur sont ajustables, vous permettant de les disposer selon les besoins de rangement des aliments de votre famille.

Pour enlever les tablettes :

Penchez la tablette (ou la clayette) vers le haut à l'avant, puis levez et tirez-la pour la sortir des rails de la paroi arrière du réfrigérateur. Ne la bougez pas d'un côté à l'autre pour éviter de rayer la paroi.



Pour remplacer les tablettes :

Choisissez la hauteur de la tablette. Avec le devant de la tablette légèrement soulevé, introduisez les tenons supérieurs dans les rails à l'arrière de la carrosserie. Puis baissez le devant de la tablette jusqu'à ce que celle-ci se verrouille en position.

⚠ ATTENTION Manipulez les tablettes en verre avec précaution. Les tablettes et couvercles en verre peuvent se briser s'ils sont soumis à un impact en les heurtant ou les échappant. S'il se brise, le verre trempé est conçu pour se fracturer en un grand nombre de petits éclats.

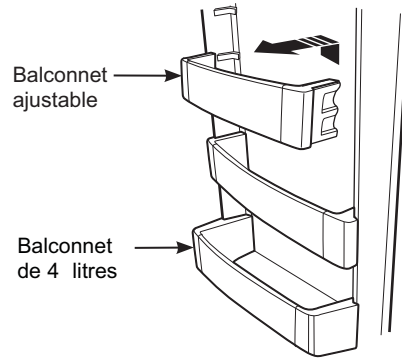
Balconnets et paniers

Balconnets

Tous les balconnets, à l'exception du balconnet profond de 4 litres, sont ajustables grâce à l'une des 2 languettes à chaque extrémité du balconnet. Ils peuvent être déplacés vers le haut ou le bas à différentes positions pour satisfaire vos besoins de rangement. Le balconnet profond de 4 litres peut être retiré pour nettoyage.

Pour enlever tout balconnet :

Soulevez le balconnet et glissez-le vers vous.

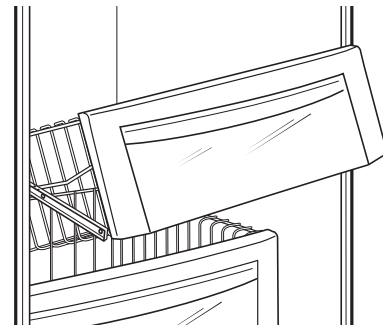


Paniers du congélateur

Les paniers du congélateur en broche amovibles peuvent se tirer pour faciliter l'accès aux aliments congelés.

Pour enlever :

Tirez le panier vers l'extérieur. Soulevez l'avant du panier puis sortez-le.



WiFi (pour les clients aux États-Unis, ses territoires et au Canada)

Compatible avec la connexion WiFi*

Votre réfrigérateur est compatible avec la connexion WiFi Monogram. Une carte de communication WiFi est intégrée dans votre produit, lui permettant de communiquer avec votre téléphone intelligent pour surveillance, contrôle et notification à distance. Veuillez visiter cafeappliances.com/connect pour obtenir plus d'informations sur les fonctions de connexion pour électroménagers et les applications compatibles avec votre téléphone intelligent.

Connectivité WiFi : Pour obtenir de l'assistance concernant votre électroménager ou la connectivité réseau (pour modèles compatibles WiFi), visitez cafeappliances.com/connect.

RENSEIGNEMENTS RÉGLEMENTAIRES

Déclaration de conformité de la FCC/IC :

Cet appareil est conforme aux prescriptions de la partie 15 des règles de la FCC. Le fonctionnement de cet équipement est assujéti aux deux conditions suivantes :

1. Cet appareil ne doit pas causer de brouillage préjudiciable.
2. Cet appareil doit accepter tout brouillage qu'il reçoit, y compris celui pouvant entraîner un fonctionnement indésirable.

Cet équipement a été testé et déclaré conforme aux limites imposées pour un appareil numérique de Classe B, conformément à la partie 15 de la réglementation FCC. Ces limites sont définies afin d'assurer une protection raisonnable contre le brouillage nuisible dans une installation résidentielle. Cet équipement génère, utilise et émet des fréquences radio qui, en cas d'une installation erronée ou d'une utilisation non-conforme aux instructions de ce manuel d'utilisation peuvent causer un brouillage nuisible aux communications radio. Il n'y a cependant aucune garantie qu'un brouillage nuisible ne se produira pas dans une installation donnée. Si cet équipement cause un brouillage nuisible sur votre poste radio ou de télévision, ce que vous pouvez déterminer en éteignant et en rallumant votre équipement, il est conseillé à l'utilisateur d'essayer de pallier à ce brouillage nuisible en prenant l'une ou l'autre des mesures suivantes :

- Réorienter ou repositionner l'antenne de réception.
- Augmenter la distance entre l'équipement et le récepteur.
- Brancher l'équipement dans une prise d'un circuit qui diffère de celui auquel le récepteur est branché.
- Consulter le revendeur ou un technicien en radio-télévision pour obtenir de l'aide.

Étiquetage : Les modifications non explicitement approuvées par le fabricant peuvent annuler le droit de l'utilisateur de se servir de cet équipement.

Module ConnectPlus seulement (ou module de communication similaire)*

Exposition aux radio-fréquences - Cet appareil n'est autorisé qu'à des fins d'application mobile. Une distance d'au moins 20 cm entre le module ConnectPlus et le corps de l'utilisateur doit être maintenue en tout temps.

*Modèles sélectionnés seulement

Entretien et nettoyage

Nettoyage de l'extérieur

Directives pour nettoyer les surfaces extérieures, les poignées de porte et les garnitures

UTILISER	NE PAS UTILISER
Linge ou éponge doux et propres	Linges abrasifs, éponges à récurer (avec ou sans savon), tampons à récurer ou en laine d'acier.
Détergent doux dans eau chaude. Nettoyants pour acier inoxydable approuvés; visitez la boutique de pièces Café Appliances pour des nettoyants pour acier inoxydable approuvés : cafeappliances.com On peut utiliser des nettoyants à base d'acide oxalique tels que Bar Keepers Friend Soft Cleanser™ pour éliminer la rouille de surface, le ternissement et les petites taches sur les surfaces en acier inoxydable seulement.	Poudres ou vaporisateurs abrasifs. Vaporisateurs pour fenêtres ou ammoniac. Nettoyants à base d'agrumes ou de plantes. Nettoyants acides ou à base de vinaigre. Nettoyants pour le four. Nettoyants qui contiennent de l'acétone (propanone). Tout nettoyant avec AVERTISSEMENT relatif au contact du plastique.

REMARQUE : Ne laissez PAS un nettoyant pour acier inoxydable venir au contact de pièces en plastique telles que garnitures, quincaillerie de poignée ou doublures. Si un contact non intentionnel d'un nettoyant avec une pièce en plastique survient, nettoyez la pièce en plastique avec une éponge et un détergent doux mélangé dans l'eau chaude.

Nettoyage de l'intérieur

Pour éviter les mauvaises odeurs, laissez une boîte ouverte de bicarbonate de soude dans les compartiments réfrigérateur et congélateur.

Débranchez le réfrigérateur avant de le nettoyer.

S'il est trop difficile de le faire, essorez bien votre linge ou votre éponge pour enlever l'excès d'eau lorsque vous nettoyez autour des interrupteurs, des lampes ou des commandes.

Utilisez une cire pour appareil ménager sur la surface intérieure entre les portes.

Utilisez une solution d'eau tiède et de bicarbonate de soude—environ une cuillère à soupe (15 ml) de bicarbonate de soude par pinte (1 litre) d'eau—afin de nettoyer tout en neutralisant les odeurs. Rincez et essuyez bien.

ATTENTION

Ne nettoyez pas les tablettes ou couvercles en verre avec de l'eau chaude lorsqu'ils sont froids. Les tablettes et couvercles en verre peuvent se briser s'ils sont exposés à une variation de température soudaine, ou soumis à un impact s'ils sont heurtés ou échappés. S'il se brise, le verre trempé est conçu pour se fracturer en un grand nombre de petits éclats.

Ne lavez aucune pièce en plastique du réfrigérateur au lave-vaisselle.

Derrière le réfrigérateur

Prenez un soin particulier lorsque vous éloignez le réfrigérateur du mur. Tous les types de revêtements de sol peuvent être endommagés, particulièrement ceux qui sont coussinés ou dont la surface est gaufrée.

Montez les pieds de nivellement situés dans le bas à l'avant du réfrigérateur.

Tirez le réfrigérateur en ligne droite et, lorsque vous le remettez en place, poussez-le vers le mur en ligne droite. Les déplacements latéraux du réfrigérateur pourraient endommager le revêtement de sol ou le réfrigérateur.

Abaissez les pieds de nivellement jusqu'à ce qu'ils touchent le plancher.

Lorsque vous remettez le réfrigérateur en place en le poussant, veillez à ne pas le faire rouler sur le cordon d'alimentation ou sur la conduite d'eau de la machine à glaçons.

Départ en vacances

Réglez la machine à glaçons à **OFF (Arrêt)** sur le panneau de commande, et assurez-vous de couper l'alimentation d'eau au réfrigérateur.

Lors de vacances ou absences prolongées, retirez les aliments du réfrigérateur/congélateur. Réglez la machine à glaçons à **OFF (Arrêt)** sur le panneau de commande, (arrêt) et nettoyez l'intérieur à l'aide d'une solution d'une cuillère à table (15 ml) de bicarbonate de soude dans une pinte (1 litre) d'eau. Laissez la porte ouverte.

Pour des absences plus courtes, retirez les aliments périssables et laissez les commandes aux réglages habituels. Cependant, si vous prévoyez une chute de la température de la pièce sous 60 °F (16 °C), suivez les instructions pour vacances ou absences prolongées. .

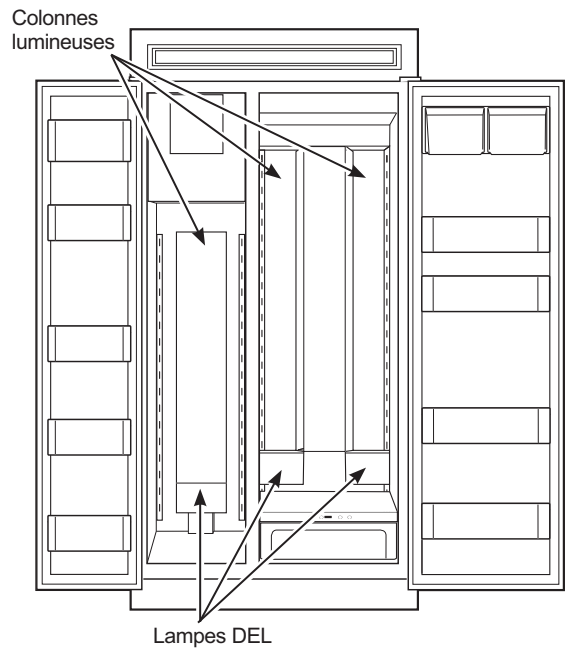
Entretien et nettoyage

Remplacement des lampes

Les colonnes le long de la paroi arrière des compartiments réfrigérateur et congélateur sont éclairées par des lampes DEL situées derrière le bac supérieur dans le compartiment réfrigérateur et derrière le panier inférieur dans la compartiment congélateur.

Le remplacement des ampoules à DEL doit être effectué par un technicien autorisé.

Si cet assemblage doit être remplacé, planifiez une visite de service en ligne sur **cafeappliances.ca**.



Instructions d'installation

Réfrigérateur

Des Questions ? Consultez notre site internet : cafeappliances.ca

AVANT DE COMMENCER

Lisez ces instructions complètement et attentivement.

- **IMPORTANT** — Conservez ces instructions pour utilisation éventuelle par un inspecteur local.
- **IMPORTANT** — Respectez tous les codes et règlements officiels.
- **Note à l'installateur** – Assurez-vous de laisser ces instructions au consommateur.
- **Note au consommateur** – Conservez ces instructions pour référence future.
- **Niveau de connaissances** – L'installation de cet appareil requiert des connaissances de base en mécanique.
- **Temps requis** – L'installation du réfrigérateur demande 15 minutes.
- L'installateur est responsable de l'installation correcte du réfrigérateur.
- Toute panne de cet appareil causée par une installation inadéquate n'est pas couverte par la garantie.

⚠ AVERTISSEMENT Risque d'électrocution.

Branchez l'appareil dans une prise à 3 broches mise à la terre.

N'enlevez pas la broche de mise à la terre.

N'utilisez pas un adaptateur.

Cessez immédiatement l'utilisation d'un cordon électrique endommagé. Si le cordon électrique est endommagé, son remplacement doit être exécuté par un technicien en réparation qualifié au moyen d'un cordon de rechange autorisé par le fabricant.

N'utilisez pas un cordon de rallonge avec cet électroménager.

Le non-respect de ces instructions peut occasionner un décès, un incendie ou un choc électrique

Suivez les instructions de la section Mise à la terre du réfrigérateur.

Le circuit électrique auquel cet électroménager sera raccordé doit comporter un disjoncteur ou un autre dispositif permettant de couper l'alimentation électrique à l'appareil après l'installation.

⚠ AVERTISSEMENT risque d'incendie

ou d'explosion. Conservez les matériaux et vapeurs inflammables à l'écart de votre réfrigérateur. Une explosion, un incendie voire la mort pourrait en résulter.

⚠ AVERTISSEMENT Risque de basculement.

Ces électroménagers sont lourds du haut, notamment lorsqu'une porte est ouverte, de sorte qu'ils doivent être fixés pour prévenir un basculement vers l'avant susceptible d'occasionner des blessures graves ou la mort. Lisez et observez la totalité des instructions d'installation pour connaître la façon de fixer l'électroménager sur le dispositif antibasculement.

⚠ AVERTISSEMENT Pour réduire le risque d'étouffement pendant l'installation de ce produit, ne pas laisser les petites pièces à la portée des enfants âgés de moins de 4 ans.

⚠ AVERTISSEMENT Risque lié à la manipulation d'un objet lourd

Cet appareil est très lourd. Afin de réduire le risque de blessure pendant la manipulation et l'installation de cet électroménager, la participation de 3 personnes est nécessaire à l'exécution d'une installation correcte.

⚠ AVERTISSEMENT Gardez vos doigts éloignés des points de pincement. Les espaces entre les portes et ceux entre les portes et l'armoire sont particulièrement restreints. Soyez prudent lorsque vous fermez les portes en présence d'enfants.

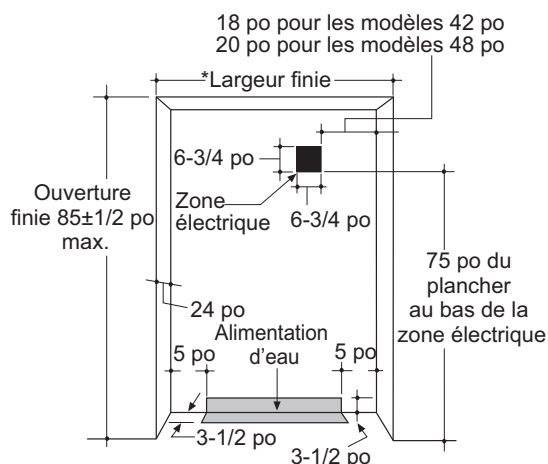
EMPLACEMENT DU RÉFRIGÉRATEUR

- N'installez pas le réfrigérateur dans une pièce où la température ambiante risque d'être inférieure à 13°C (55°F) parce qu'il ne se mettra pas en marche suffisamment souvent pour maintenir les températures convenables.
- N'installez pas le réfrigérateur dans un endroit où la température ambiante sera supérieure à 37°C (100°F), il ne fonctionnera pas correctement.
- N'installez pas le réfrigérateur dans un endroit exposé à l'eau (pluie, etc.) ou directement aux rayons solaires.
- Installez le réfrigérateur sur un plancher suffisamment solide pour le supporter lorsqu'il est plein.

Pour une installation correcte, le réfrigérateur/ congélateur doit être placé sur une surface solide de niveau et de la même hauteur que le reste du revêtement de plancher. Cette surface doit être suffisamment robuste pour supporter un réfrigérateur plein, soit environ 1500 lb (680,39 kg) chacun.

Instructions d'installation

L'ENCEINTE D'INSTALLATION



*La largeur de l'ouverture finie doit être de :
41-1/2 po (105.41 cm) pour les modèles 42 po
47-1/2 po (120.65 cm) pour les modèles 48 po

Emplacement de l'alimentation d'eau et de l'alimentation électrique

L'ouverture doit être préparée pour recevoir l'alimentation d'eau froide et l'alimentation électrique aux emplacements indiqués.

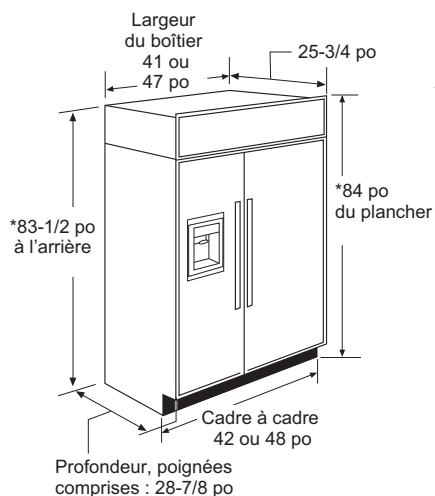
La profondeur de l'ouverture doit être de 24 po.

Le réfrigérateur se projettera vers l'avant, légèrement au-delà des armoires adjacentes dans le cas d'une installation standard.

Spécifications supplémentaires

- Une alimentation électrique de 115 volts, 60 Hz, 15 ou 20 ampères est requise. Un circuit de dérivation individuel correctement mis à la terre ou un disjoncteur est recommandé. Installez une prise électrique à 3 bornes correctement mise à la terre encastrée dans le mur arrière. Le dispositif électrique doit être situé sur le mur arrière tel qu'illustré.
- La conduite d'eau peut pénétrer dans l'ouverture à travers le plancher ou le mur arrière. Il doit s'agir d'un tuyau en cuivre de 1/4 po (D.E.) ou d'un ensemble SmartConnect™ placé entre la conduite d'eau froide et le raccord pour l'eau, d'une longueur suffisante pour atteindre le devant du réfrigérateur. L'installation d'un robinet de sectionnement facile d'accès sur la conduite d'eau est requis.

DIMENSIONS ET DÉGAGEMENTS

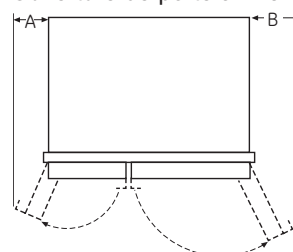


* Hauteur d'expédition. Le réfrigérateur peut être ajusté pour reposer dans une ouverture de 84 1/2 po (214.63 cm) de haut. Utilisez les pieds de nivellement et les roulettes pour un ajustement d'un maximum de 1 po (2.54 cm).

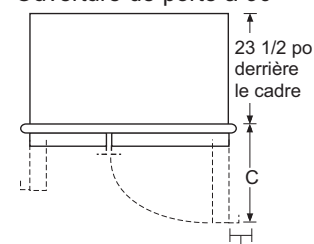
Dégagements du produit

Ces réfrigérateurs sont munis d'une butée de porte à 3 positions. L'ouverture de porte qui a été fixée à 115° à l'usine peut s'ajuster à 90° si le dégagement aux armoires ou murs adjacents est restreint.

Ouverture de porte à 115°



Ouverture de porte à 90°



Modèles	A	B	C
42 po	11-1/4" (28.58cm)	17-5/8" (44.77cm)	26-9/16" (67.47cm)
48 po	13-13/16" (33.5cm)	18-15/16" (48.10cm)	28-5/8" (72.71cm)

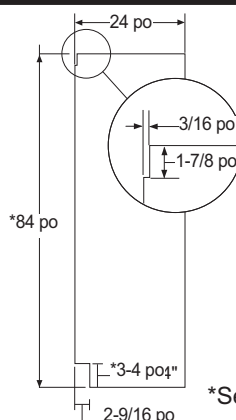
*Distance min. au mur

Pour une ouverture de porte à 90°, allouez un dégagement min. de 4-5/8 po (11.75 cm) à un mur, pour les modèles en acier inoxydable ou avec garniture. Si la position de butée à 90° est utilisée, l'accès au bac est maintenu mais son enlèvement est restreint.

PANNEAUX LATÉRAUX

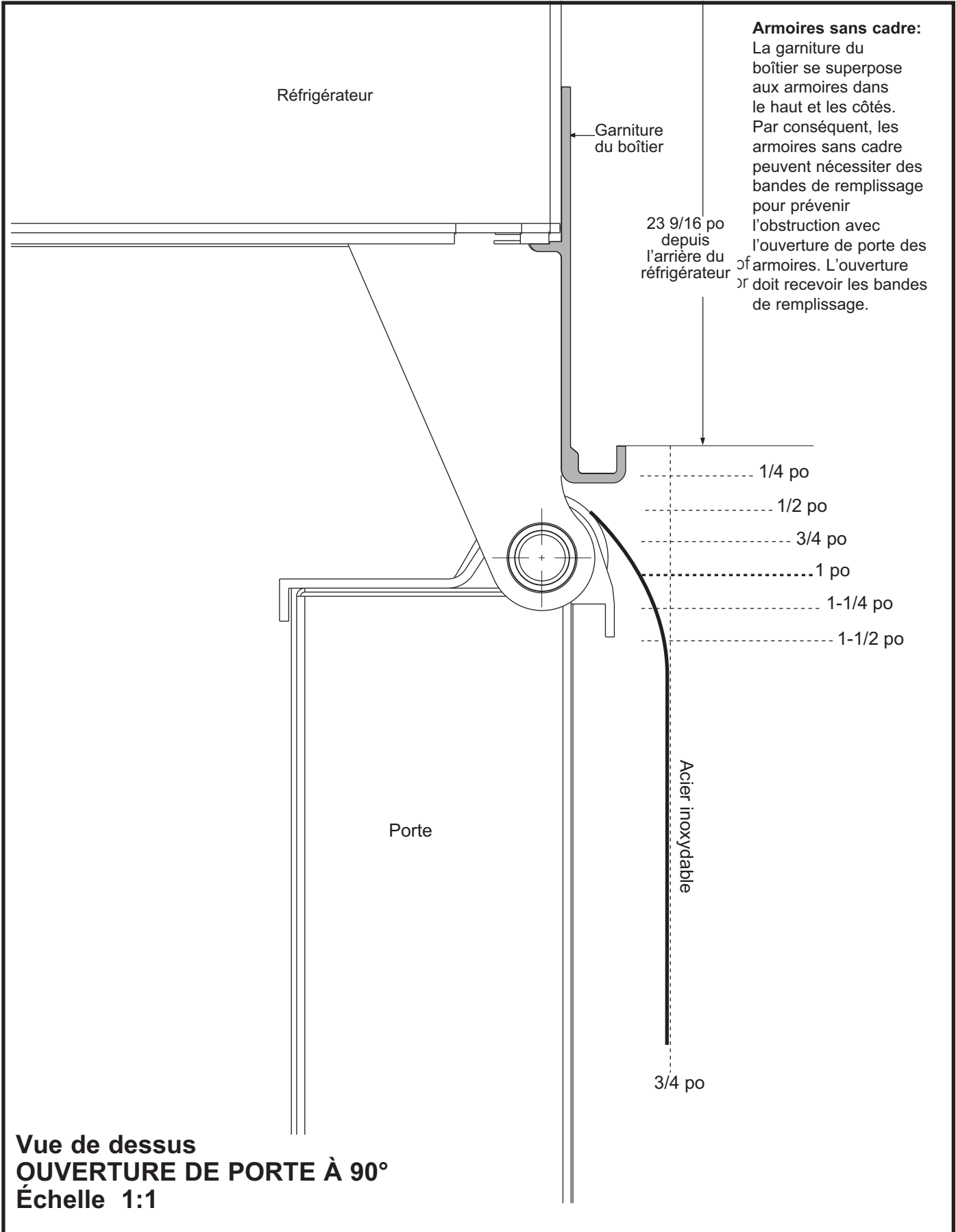
Les panneaux latéraux doivent être utilisés lorsque les côtés du réfrigérateur sont exposés. Les panneaux latéraux de 1/4 po (0.63 cm) se glissent dans la garniture latérale du boîtier. Fixez les panneaux sur le réfrigérateur à l'aide de bande adhésive autoagrippante (velcro). Commandez les panneaux latéraux auprès du fabricant des armoires.

- Découpez une encoche dans le coin avant supérieur tel qu'illustré pour procurer un dégagement dans les coins de la garniture latérale avant.



*Selon la hauteur de l'installation.

Instructions d'installation



Instructions d'installation

OUTILS ET MATÉRIAUX REQUIS

- Cisaille pour couper le cerclage
- Escabaut
- Rallonge d'embout 1 po
- Ruban à mesurer
- Gants
- Vis à cloison sèche ¼ po
- Seau de 19 litres (5 gal.) avec couvercle
- Niveau 6 po
- Chariot manuel pour électroménagers
- Coupe-tube
- Clé ouverte 7/16 po
- Tournevis Phillips no 2
- Perceuse et forets appropriés
- Douille 5/16, 7/16 po
- Lunettes de sécurité
- Clé ouverte 1 1/8 po
- Pince
- Clé à cliquet combinée 1/4, 5/16 po
- 2x4 de 35 po long pour ferrure antibasculement
- Tuyau en cuivre ¼ po pour conduite d'eau ou ensemble de tuyau pour réfrigérateur SmartConnect™
- Robinet de sectionnement
- Panneaux personnalisés pour porte et panneau grillagé
- Vis pour fixer le réfrigérateur aux armoires
- Bandes autoagrippantes (velcro) adhésives pour panneaux latéraux 1/4 po

QUINCAILLERIE FOURNIE

- Bouchon de dérivation du filtre à eau
- Coup-de-pied
- Écrou et bague 1/4 po

PLANCHER

Pour une installation adéquate, ce réfrigérateur doit être placé sur un matériau solide dont la surface est de niveau et la hauteur est égale au reste du plancher. Cette surface doit être suffisamment robuste pour supporter un réfrigérateur à pleine charge, soit environ 680.39 kg (1500 lb).

REMARQUE : Protégez le fini du plancher. Découpez une grande section de carton et placez-la sous le réfrigérateur là où vous travaillez.

MISE À LA TERRE DU RÉFRIGÉRATEUR

⚠ AVERTISSEMENT  **Risque d'électrocution**

L'omission de se conformer à ces instructions peut causer la mort, un incendie ou un choc électrique.

Le cordon électrique de cet appareil est muni d'une fiche à 3 broches (terre) correspondant à une prise murale à 3 bornes (terre) standard afin de réduire le risque de choc électrique de l'appareil.

Faites vérifier la prise murale et le circuit par un électricien agréé pour vous assurer qu'ils sont correctement mis à la terre.

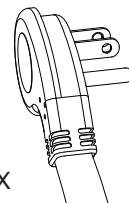
Lorsqu'une prise murale à 2 bornes standard est présente, il est de votre responsabilité et obligation de la remplacer par une prise à 3 bornes correctement mise à la terre.

EN AUCUN CAS, NE COUPEZ

NI RETIREZ LA TROISIÈME BROCHE (TERRE) DE LA FICHE DU CORDON ÉLECTRIQUE.

N'UTILISEZ PAS UNE FICHE D'ADAPTATION POUR BRANCHER LE RÉFRIGÉRATEUR DANS UNE PRISE À DEUX BORNES.

N'UTILISEZ PAS UN CORDON DE RALLONGE AVEC CET APPAREIL.



EMPLACEMENT DU RÉFRIGÉRATEUR

- N'installez pas le réfrigérateur à un endroit où la température peut descendre en dessous de 55 °F (13 °C). L'appareil ne fonctionnera pas suffisamment souvent pour maintenir les températures appropriées.
- N'installez pas le réfrigérateur/congélateur à un endroit où la température monter au-delà de 100 °F (37 °C). L'appareil ne fonctionnera pas correctement.
- N'installez pas le réfrigérateur dans un endroit exposé à l'eau (pluie, etc.) ou aux rayons directs du soleil. À cet endroit, le plancher doit pouvoir supporter le poids du réfrigérateur pleinement chargé.

ÉTAPE 1 ENLEVER L'EMBALLAGE

⚠ AVERTISSEMENT Risque de basculement

La partie supérieure du réfrigérateur est beaucoup plus lourde que sa partie inférieure – Soyez prudent lorsque vous le déplacez. Si vous utilisez un chariot manuel, manipulez le réfrigérateur par le côté seulement.

- Coupez avec précaution le cerclage dans le haut et le bas, enlevez le carton extérieur.
- Enlevez les montants d'angle arrière en les glissant (2).
- Enlevez le carton du dessus de la carrosserie.

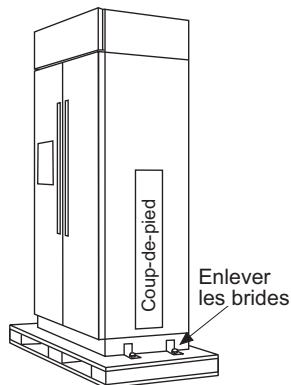
REMARQUE : IL N'EST PAS NÉCESSAIRE DE DÉPOSER LA CARROSSERIE SUR LE SOL POUR RETIRER LA PALETTE!

- L'appareil est fixé sur la palette par 4 brides à fente. Enlevez les six boulons 7/16 po des profilés basaux dans les brides.
- Enlevez les six boulons 7/16 po qui fixent les brides sur la palette.

REMARQUE : NE TENTEZ PAS DE ROULER L'APPAREIL HORS DE LA PALETTE.

- Les blocs de support dans le bas du boîtier de réfrigération doivent être enlevés avant de dégager le réfrigérateur de la palette pour ne pas l'endommager. Penchez avec précaution le réfrigérateur et glissez les blocs à l'extérieur depuis le dessous.

- Enlevez le coup-de-pied et mettez-le de côté pour l'installation finale.
- Soulevez l'appareil de la palette à l'aide d'un chariot pour électroménagers. Manoeuvrez l'appareil par les côtés.



ÉTAPE 2 DÉPLACER LE RÉFRIGÉRATEUR DANS LE DOMICILE

- Réutilisez les montants d'angle de l'emballage pour protéger les modèles en acier inoxydable. Faites passer les sangles du chariot par-dessus les montants et sous les poignées.
- Laissez la pellicule protectrice sur le réfrigérateur jusqu'à la fin de l'installation. **IMPORTANT** : Ne soulevez jamais le réfrigérateur par la poignée et ne le poussez pas contre le panneau grillagé; cela pourrait causer des dommages ou un désalignement.
- Évitez de déposer l'appareil sur sa face arrière ou le côté afin de prévenir l'écrasement du système étanche.

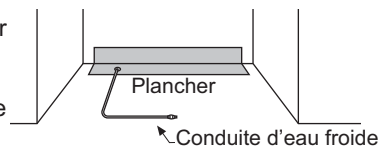
ÉTAPE 3 INSTALLER LA CONDUITE D'EAU

⚠ AVERTISSEMENT Raccordez l'appareil à une alimentation d'eau potable seulement. Une alimentation d'eau froide est requise pour faire fonctionner la machine à glaçons et le pichet à remplissage automatique. La pression d'eau doit se situer entre 40 et 120 psi. (275 à 827 kPa).

⚠ AVERTISSEMENT  RISQUE DE DÉCHARGE ÉLECTRIQUE

Fixez le collier de serrage dans le trou présent seulement. NE PERCEZ PAS dans le réfrigérateur.

- Une conduite d'eau froide est requise pour le fonctionnement automatique de la machine à glaçons. La pression d'eau doit se situer entre 40 et 120 psi (275-827 kPa).
- Acheminez le tuyau ¼ po (D.E.) ou le tuyau SmartConnect™ en plastique entre la conduite d'eau du domicile et l'emplacement du raccordement d'eau.
- Le tuyau doit être suffisamment long pour atteindre l'avant du réfrigérateur. Allouez une longueur suffisante pour permettre la courbe menant au raccord de la conduite d'eau.



REMARQUE : Le seul tuyau en plastique approuvé par Café consiste dans l'ensemble de tuyau pour réfrigérateur SmartConnect™. N'utilisez aucun autre tuyau pour la conduite d'eau car celui-ci est soumis à une pression en tout temps. D'autres types de plastique peuvent se fendre avec le temps et causer des dégâts d'eau dans votre domicile.

Les ensembles de tuyau pour réfrigérateur SmartConnect™ sont offerts dans les longueurs suivantes :

- 2 pi (0,6 m) WX08X10002
- 8 pi (2,4 m) WX08X10006
- 15 pi (4,6 m) WX08X10015
- 25 pi (7,6 m) WX08X10025

Coupez l'alimentation d'eau principale.

Ouvrez le robinet le plus près suffisamment longtemps pour vider la conduite d'eau.

- Posez un robinet de sectionnement entre le robinet d'eau de la machine à glaçons et le tuyau d'eau froide dans le sous-sol ou l'armoire. Le robinet de sectionnement doit se situer à un endroit aisément accessible.
- Ouvrez l'alimentation d'eau principale et rincez les débris. Faites couler environ un litre d'eau dans le tube jusque dans un seau. Coupez l'alimentation d'eau au robinet de sectionnement.

REMARQUE: Des robinets de sectionnement à étrier sont souvent inclus dans les trousse d'alimentation d'eau. Avant d'acheter, assurez-vous que le robinet à étrier satisfait à vos codes de plomberie locaux.

REMARQUE: Les codes de plomberie 248CMR du Commonwealth of Massachusetts doivent être satisfaits. Les robinets à étrier sont illégaux et leur utilisation prohibée dans l'État du Massachusetts. Consultez votre plombier agréé.

Instructions d'installation

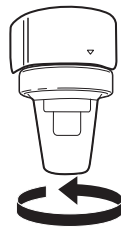
ÉTAPE 4 INSTALLATION AVEC SYSTÈME DE FILTRATION D'EAU DOMESTIQUE

Sautez cette étape si vous ne disposez pas d'un système de filtration d'eau domestique.

Si l'alimentation d'eau au réfrigérateur provient d'un système de filtration d'eau domestique, la cartouche du filtre à eau doit être enlevée. Pour une meilleure qualité d'eau et de glace, enlevez le filtre et installez le bouchon de dérivation du filtre.



Tourner dans le sens contraire des aiguilles pour enlever



Bouchon de dérivation du filtre

ÉTAPE 5 INSTALLER LES PANNEAUX LATÉRAUX

Sautez cette étape si vous n'utilisez pas de panneaux latéraux.

Si vous utilisez des panneaux latéraux ¼ po (0.63 cm), ils devraient être insérés dans la garniture du boîtier. Fixez les panneaux au réfrigérateur à l'aide de bandes autoagrippantes avant de mettre le réfrigérateur en place.

ÉTAPE 6 DISPOSITIF ANTIBASCULEMENT

⚠ AVERTISSEMENT

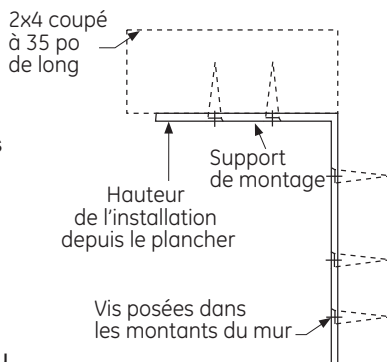


Risque de

basculement

Ces réfrigérateurs sont trop lourds, en particulier avec l'une des portes ouvertes, de sorte qu'ils doivent être fixés pour prévenir le basculement susceptible de causer des blessures graves voire fatales. Lisez et observez la totalité des instructions d'installation pour fixer le réfrigérateur à un dispositif antibasculement.

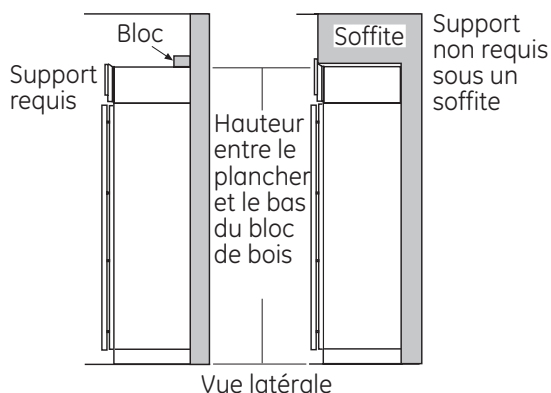
- Coupez un bloc de 2 x 4 po à une longueur de 35 po (88.9 cm) et fixez-le à l'aide des supports de montage fournis et de vis à bois no 12 ou 14.
- Fixez le support avec le bloc de bois sur le mur arrière à une distance de 84 po (213.36 cm) du plancher fini. Utilisez des vis à bois no 12 ou 14. Voir l'illustration.



ÉTAPE 6 DISPOSITIF ANTIBASCULEMENT (suite)

- Les vis doivent pénétrer sur au moins 1 pouce dans les montants du mur.
- En présence de montants métalliques, utilisez des vis à tête autotaraudeuses au lieu de vis à bois.

IMPORTANT : Lorsque le réfrigérateur est installé sous un soffite ou si la hauteur est insuffisante pour cette méthode sécuritaire, il ne faut pas utiliser les supports. Allez à l'étape 7 pour mettre le réfrigérateur de niveau puis à l'étape 8 pour le fixer aux armoires. Le réfrigérateur doit être fixé pour prévenir le basculement.



Branchement du cordon d'alimentation électrique :

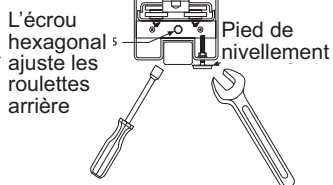
- Avant de pousser le réfrigérateur dans l'ouverture, branchez le cordon d'alimentation dans la prise. La garde du filtre à eau doit être enlevée pour permettre l'accès (certains modèles). Retirez les 3 vis qui la fixent. Si l'accès est toujours trop étroit, retirez les 2 vis qui fixent le support du filtre à eau et mettez celui-ci de côté. Ouvrez le panneau grillagé et tendez la main dans le fond de l'ouverture pour agripper le cordon d'alimentation. Tirez celui-ci dans l'ouverture tandis que vous repoussez le réfrigérateur. Refixez le support et la garde à l'aide des vis d'origine.
- Poussez avec précaution le réfrigérateur dans l'ouverture avec les mains sur les coins avant.

Instructions d'installation

ÉTAPE 7 METTRE LE RÉFRIGÉRATEUR DE NIVEAU

Tous les modèles sont dotés de 4 points de nivellement. L'avant est supporté par des pieds de nivellement, l'arrière par des roulettes ajustables. Les deux types sont accessibles depuis l'avant du réfrigérateur.

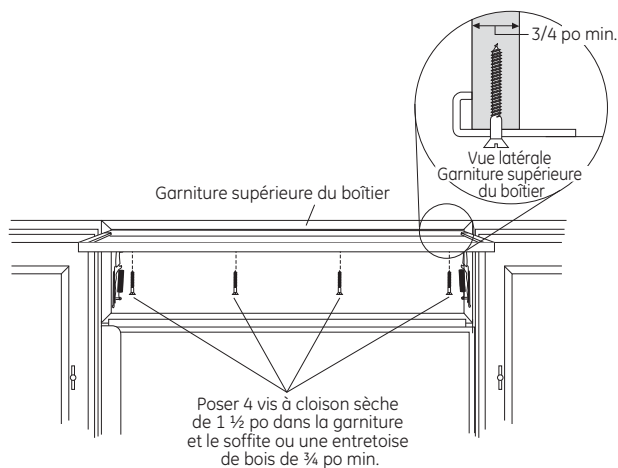
- Pour niveler l'arrière du réfrigérateur, tournez l'écrou hexagonal 7/16 po situé au-dessus des roulettes. Tournez dans le sens des aiguilles pour monter le réfrigérateur ou dans le sens contraire pour le baisser.
- Pour le nivellement de l'avant, utilisez une clé ouverte de 1-1/4 po.
- Ajustez la hauteur du réfrigérateur pour qu'elle corresponde à l'ouverture de 84 1/2 po (214.63 cm). Le réfrigérateur doit être de niveau, parallèle aux armoires.



AVIS : Les roues de nivellement arrière et les pieds de nivellement avant peuvent s'ajuster sur une hauteur maximale de 1 po. Si l'installation nécessite plus de 84-1/2 (214.63 cm) po de hauteur, l'installateur doit alors monter le réfrigérateur sur une feuille de contreplaqué ou des patins. Il faudra aussi ajouter une garniture dans le haut de l'ouverture afin de réduire cette dernière. Si vous tentez de monter le réfrigérateur de plus de 1 po (2.54 cm), vous allez endommager les pieds et les roulettes de nivellement. Exécutez les ajustements par petites distances à la fois.

ÉTAPE 8 DISPOSITIF ANTIBASCULEMENT DE RECHANGE

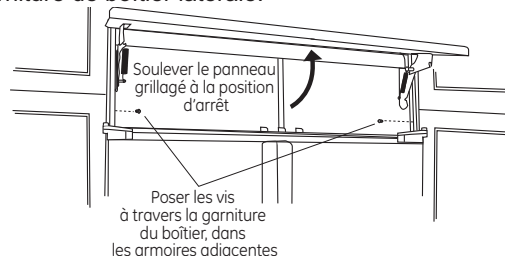
Le réfrigérateur doit être fixé pour prévenir le basculement.



- Soulevez le panneau grillagé pour accéder à la garniture du boîtier.
- Utilisez un foret 3/16 po pour percer quatre trous de dégagement uniformément espacés dans la garniture métallique supérieure du boîtier

ÉTAPE 8 DISPOSITIF ANTIBASCULEMENT DE RECHANGE (suite)

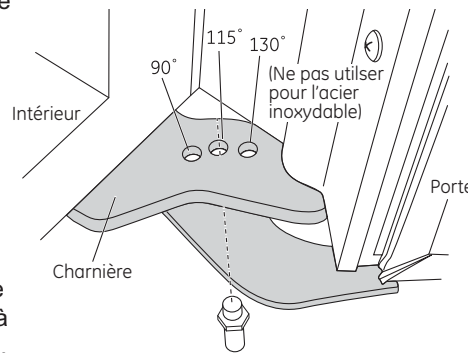
- Utilisez un foret 1/16 po pour percer des trous de guidage à travers les trous de dégagement puis dans le soffite en bois. Les trous doivent être centrés sur le soffite ou une entretoise en bois de 3/4 po (1.91 cm) minimum. L'entretoise traversant l'ouverture doit être fixée aux armoires des deux côtés.
- Posez quatre vis à cloison sèche de 1 1/2 po dans les trous de guidage.
- Posez les vis dans les armoires adjacentes à travers la garniture de boîtier latérale.



ÉTAPE 9 AJUSTER L'ANGLE D'OUVERTURE DE LA PORTE

REMARQUE : Le réfrigérateur est doté d'une butée de porte à 2 positions. Lorsque l'espace ne permet pas une ouverture à 115°, vous pouvez ajuster l'ouverture à 90°. L'option à 130° n'est pas utilisée pour les modèles SxS de 42 et 48 po. Sautez cette étape si l'ouverture de porte est satisfaisante pour votre situation.

- Ouvrez la porte pour voir la charnière inférieure. Repérez les trous de positionnement de la butée d'arrêt de la porte. La butée a été placée à la position 115° à l'usine.
- Fermez la porte. Depuis le dessous, utilisez une pince pour dévisser la butée de porte et la replacer à la position 90°.



⚠ AVERTISSEMENT



Risque de pincement de la garniture de porte

Une installation incorrecte représente un risque de pincement pour les doigts entre le côté de la garniture de porte et les armoires lors de l'ouverture ou de la fermeture de la porte, spécialement pour les enfants. Pour réduire ce risque, vous devez suivre les instructions d'installation selon les dimensions des armoires, l'assemblage de garniture et l'angle de butée de la porte.

Instructions d'installation

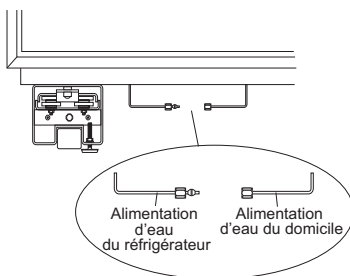
ÉTAPE 10 RACCORDER L'ALIMENTATION D'EAU

⚠ AVERTISSEMENT Raccordez l'appareil à une alimentation d'eau potable seulement. Une alimentation d'eau froide est requise pour faire fonctionner la machine à glaçons et le pichet à remplissage automatique. La pression d'eau doit se situer entre 40 et 120 psi. (275 à 827 kPa).

⚠ AVERTISSEMENT  RISQUE DE DÉCHARGE ÉLECTRIQUE

Fixez le collier de serrage dans le trou présent seulement. NE PERCEZ PAS dans le réfrigérateur.

- Repérez le tuyau et acheminez-le à l'avant de la carrosserie.
- Ouvrez l'eau pour rincer les débris de la conduite d'eau. Faites couler environ un litre d'eau à travers le tuyau jusque dans un seau, puis coupez l'alimentation d'eau.



Tuyau en cuivre :

- Glissez un écrou et une bague ¼ pop (fournis) sur les deux extrémités du tuyau en cuivre. Insérez le tuyau dans le raccord union de l'appareil et serrez l'écrou sur l'union.
- Ouvrez l'eau pour vérifier l'absence de fuites. :

Tuyau SmartConnect™

REMARQUE : Le seul tuyau en plastique approuvé par Café consiste dans l'ensemble de tuyau pour réfrigérateur SmartConnect™. N'utilisez aucun autre tuyau pour la conduite d'eau car celui-ci est soumis à une pression en tout temps. D'autres types de plastique peuvent se fendre avec le temps et causer des dégâts d'eau dans votre domicile. L'ensemble de tuyau pour réfrigérateur SmartConnect™ est offert dans les longueurs suivantes :

2 pi (0,6 m) WX08X10002

8 pi (2,4 m) WX08X10006

15 pi (4,6 m) WX08X10015

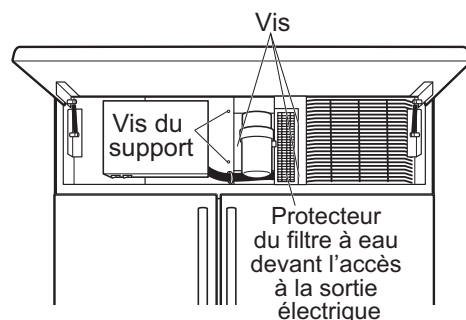
25 pi (7,6 m) WX08X10025

- Insérez l'extrémité moulée du tuyau dans le raccord du réfrigérateur. Serrez l'écrou de compression fermement à la main.
- Serrez d'un tour supplémentaire à l'aide d'une clé. Un serrage excessif peut causer des fuites!
- Ouvrez l'eau pour vérifier l'absence de fuites.
- Faites fonctionner le distributeur, si équipé, pendant 2 minutes ou pour obtenir 1 litre d'eau. La projection d'eau du distributeur est normale pendant la distribution des premières tasses.

REMARQUE : Assurez-vous qu'une longueur excédentaire de tuyau ne gêne pas l'installation du coup-de-pied.

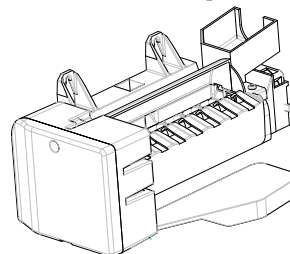
ÉTAPE 11 BRANCHER L'ALIMENTATION ÉLECTRIQUE, FERMER LE PANNEAU GRILLAGÉ

- Ouvrez le panneau grillagé.
- Branchez le cordon d'alimentation (si nécessaire) en tendant le bras dans l'ouverture à proximité du filtre à eau. La garde du filtre à eau doit être enlevée pour permettre l'accès (certains modèles). Retirez les 3 vis qui la fixent. Si l'accès est toujours trop étroit, retirez les 2 vis qui fixent le support du filtre à eau et mettez celui-ci de côté. Ouvrez le panneau grillagé et tendez la main dans le fond de l'ouverture pour agripper le cordon d'alimentation. Tirez celui-ci dans l'ouverture tandis que vous repoussez le réfrigérateur. Refixez le support et la garde à l'aide des vis d'origine.



- Vérifiez que le réfrigérateur est sous tension en ouvrant la porte pour voir si les lampes sont allumées.
- La commande de température est pré-réglée à 37 °F (3°C) pour le compartiment réfrigérateur et à 0 °F (-18°C) pour le congélateur.
- Allouez 24 heures pour stabiliser la température avant de la modifier.

ÉTAPE 12 DÉMARRER LA MACHINE À GLAçons



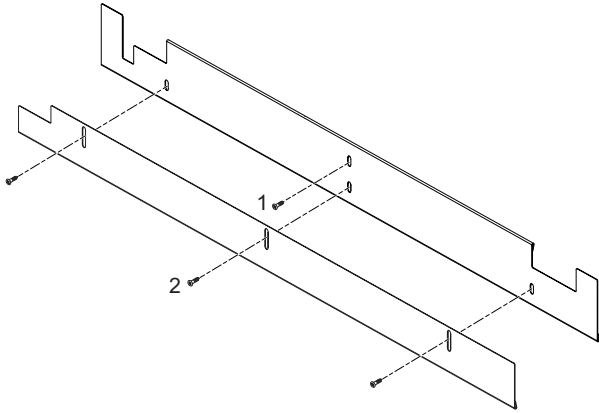
⚠ ATTENTION Pour minimiser les risques de blessures, évitez le contact avec les pièces mobiles du mécanisme éjecteur, ou avec l'élément chauffant qui libère les glaçons. Ne posez pas les doigts ou les mains sur le mécanisme de la machine à glaçons automatique pendant que le réfrigérateur est branché.

- La machine à glaçons est réglée à OFF (Arrêt).
- La machine à glaçons démarrera automatiquement.
- Assurez-vous que rien ne gêne le mouvement du bras palpeur.
- Jetez le premier lot de glaçons.
- Réglez la machine à glaçons à ON (Marche) sur le panneau de commande.

Instructions d'installation

ÉTAPE 13 POSER LES COUPS-DE-PIED

- Repérez les coups-de-pied fournis (livrés rubannés sur le côté du réfrigérateur).
- Fixez le coup-de-pied le plus LARGE sur le réfrigérateur en utilisant SEULEMENT le trou du centre supérieur (1).
- Fixez la jupe du coup-de-pied sur le réfrigérateur en utilisant les trois fentes inférieures (2).

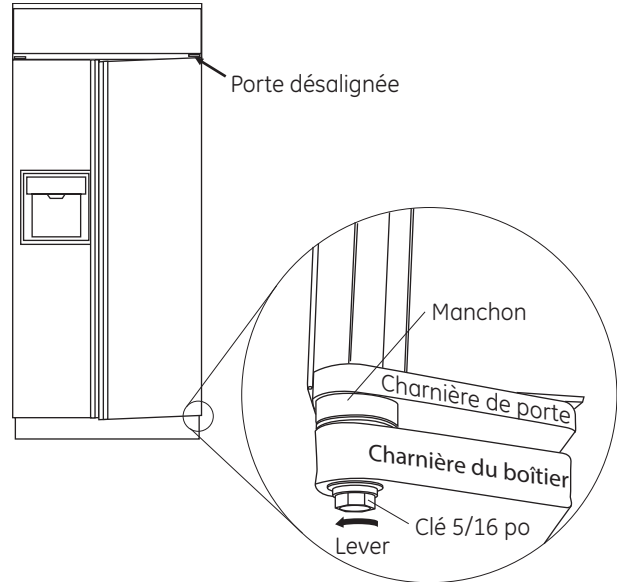


- Un coup-de-pied personnalisé peut être installé pour correspondre aux armoires environnantes ou les compléter. Utilisez le coup-de-pied fourni comme gabarit pour découper la forme.

INSPECTER L'INSTALLATION FINALE

Vérifiez l'installation de la porte. Tenez-vous à distance du réfrigérateur pour inspecter l'installation finale.

- Assurez-vous que les poignées sont alignées l'une avec l'autre dans le haut. Pour ajuster, desserrez les vis et glissez la poignée vers le haut ou le bas. Vissez les vis.
- L'expédition ou l'ajout de panneaux de porte lourds peut avoir causé un léger désalignement des portes.



- Si nécessaire, la porte du compartiment réfrigérateur peut s'ajuster vers le haut ou le bas pour s'aligner sur la porte du congélateur.
- Utilisez une clé 5/16 po pour ajuster l'axe de charnière comme illustré.

Conditions normales de fonctionnement

Les réfrigérateurs plus récents font des bruits différents de ceux des anciens.

Les réfrigérateurs modernes proposent plus de fonctions et sont plus avancés sur le plan technologique.

Entendez-vous ce que j'entends ? Ces conditions sont normales.

HUMMM...



WHOOSH...

- Le nouveau compresseur à rendement élevé peut fonctionner plus longtemps et plus vite que votre ancien réfrigérateur et vous pouvez entendre un son modulé ou un ronflement aigu pendant son fonctionnement.
- Parfois le réfrigérateur fonctionne pendant une période prolongée, surtout lorsque les portes sont ouvertes fréquemment. Cela signifie que la fonction **Frost Guard™** est active pour empêcher la brûlure de congélation et améliorer la conservation des aliments.
- Vous pouvez entendre un sifflement lorsque les portes se ferment. Cela vient de l'équilibrage de pression dans le réfrigérateur.



- Vous pouvez entendre les ventilateurs tourner à hautes vitesses. Cela se produit lorsque le réfrigérateur vient d'être branché, lorsque les portes sont ouvertes fréquemment ou lors de l'ajout d'une grande quantité d'aliments dans les compartiments congélateur ou réfrigérateur. Les ventilateurs permettent de maintenir les bonnes températures.
- Si une des portes est ouverte pendant plus de 3 minutes, vous pouvez entendre l'activation des ventilateurs permettant de refroidir les ampoules.
- Les ventilateurs changent de vitesses pour assurer des économies d'énergie et un refroidissement optimaux.

CLICS, CLAQUEMENTS, CRAQUEMENTS et GRÉSILLEMENTS

- Vous pouvez entendre des craquements ou des claquements lorsque le réfrigérateur est branché pour la première fois. Cela se produit lorsque le réfrigérateur se refroidit à la bonne température.
- Les registres électroniques s'ouvrent et se ferment pour assurer des économies d'énergie et un refroidissement optimaux.
- Le compresseur peut causer un clic ou un grésillement lors de la tentative de redémarrage (cela peut prendre 5 minutes).
- Le tableau de commande électronique peut causer un clic lorsque les relais s'activent pour commander les composants du réfrigérateur.
- L'expansion et la contraction des serpentins de refroidissement pendant et après le dégivrage peuvent causer un craquement ou un claquement.
- Sur les modèles équipés d'une machine à glaçons, après un cycle de fabrication de glaçons, vous pouvez entendre les glaçons tomber dans le bac.

BRUITS D'EAU



- Le passage de l'agent frigorigère dans les serpentins de refroidissement du congélateur peut être accompagné d'un gargouillement semblable à celui de l'eau en ébullition.
- L'eau tombant sur l'élément chauffant de dégivrage peut faire un bruit de grésillement, de claquement ou de bourdonnement pendant le cycle de dégivrage.
- Un bruit de suintement d'eau peut être entendu pendant le cycle de dégivrage lorsque la glace de l'évaporateur fond et tombe dans le bac de récupération.
- Fermer la porte peut causer un gargouillement en raison de l'équilibrage de pression.

Conseils de dépannage... Avant de faire un appel de service

Économisez temps et argent! Consultez d'abord les tableaux des pages suivantes et vous pourriez vous éviter un appel de service.

Problème	Causes possibles	Correctifs
Le réfrigérateur ne fonctionne pas	Le cycle de dégivrage est peut-être en cours.	Attendez environ 30 minutes afin que le cycle de dégivrage puisse terminer.
	Les commandes de température sont réglées sur 0 (arrêt).	Changez le réglage du compartiment congélateur en position de refroidissement plus inférieure.
	Le réfrigérateur est débranché.	Enfoncez la fiche de l'appareil dans la prise murale.
	Le disjoncteur ou le fusible peut avoir sauté.	Remplacez le fusible ou réenclenchez le disjoncteur.
	La fonction Energy Smart™ modifie le rendement du réfrigérateur	Attendez environ 2 heures avant que le fonctionnement normal se poursuive.
Température trop élevée dans le congélateur ou le réfrigérateur	La commande de température n'a pas été réglée à une température assez basse.	Consultez Les commandes.
	Temps chaud ou ouverture fréquente des portes.	Abaissez la commande de température d'une position. Consultez Les commandes.
	Porte laissée ouverte.	Vérifiez qu'il n'y a pas un paquet qui empêche la porte de fermer.
	La fonction Energy Smart™ modifie le rendement du réfrigérateur	Voir la section Modèles Energy Smart™.
Vibration ou bruit métallique (une légère vibration est normale)	Les roulettes de nivellement avant doivent être réglées.	Consultez Roulettes.
Le moteur fonctionne pendant de longues périodes ou démarre et s'arrête fréquemment. (Les réfrigérateurs modernes et leurs congélateurs étant plus grands, leur moteur doit fonctionner plus longtemps. Ils démarrent et s'arrêtent afin de maintenir des températures uniformes.)	Ceci est normal lorsque le réfrigérateur vient d'être branché.	Attendez 24 heures pour que le réfrigérateur refroidisse complètement.
	Une grande quantité d'aliments a été mise au réfrigérateur.	C'est normal.
	Porte laissée ouverte.	Vérifiez qu'il n'y a pas un paquet qui empêche la porte de fermer.
	Temps chaud ou ouverture fréquente des portes.	C'est normal.
	Les commandes de température ont été réglées à la température la plus froide.	Consultez Les commandes.
Givre sur les aliments surgelés (il est normal que du givre se forme à l'intérieur du paquet)	Porte laissée ouverte.	Vérifiez qu'il n'y a pas un paquet qui empêche la porte de fermer.
	Les portes ont été ouvertes trop souvent ou pendant trop longtemps.	
La séparation entre le réfrigérateur et le congélateur est chaude	Le système automatique d'économie d'énergie fait circuler du liquide chaud autour du rebord avant du congélateur.	Ceci empêche la formation de condensation sur l'extérieur du réfrigérateur.
La machine à glaçons ne fonctionne pas (sur certains modèles)	La machine à glaçons est réglée à OFF (Arrêt).	Réglez la machine à glaçons à ON (Marche) sur le panneau de commande.
	L'alimentation en eau est coupée ou n'est pas raccordée.	Consultez Installation de la conduite d'eau.
	Le compartiment congélateur est trop chaud.	Attendez 24 heures pour que la température du réfrigérateur se stabilise.
	Un amas de glaçons dans le bac provoque l'arrêt de la machine à glaçons.	Nivelez les glaçons à la main.
	Cubes de glace sont coincés dans la machine à glaçons.	Arrêtez la machine à glaçons, retirez les cubes de glace et remettez la machine en marche.

Conseils de dépannage... Avant de faire un appel de service

Problème	Causes possibles	Correctifs
Odeur/saveur anormale des glaçons	Il faut nettoyer le bac à glaçons.	Videz et lavez le bac à glaçons. Jetez les vieux glaçons.
	Des aliments ont transmis leur odeur/ goût aux glaçons.	Emballez bien les aliments.
	Il faut nettoyer l'intérieur du réfrigérateur.	Consultez Entretien et nettoyage.
Petits glaçons ou glaçons creux à l'intérieur	Le filtre à eau est bouché.	Remplacez la cartouche du filtre avec une nouvelle.
Formation lente des glaçons	Porte laissée ouverte.	Vérifiez qu'il n'y a pas un paquet qui empêche la porte de fermer.
	La commande de température du congélateur n'est pas réglée à une température assez froide.	Consultez Les commandes.
	La fonction Energy Smart™ modifie le rendement du réfrigérateur	Voir la section Modèles Energy Smart™.
Glaçons de taille irrégulière, liaison plus grande entre les glaçons, perte de retenue d'eau dans la machine à glaçons	La machine à glaçons n'est pas de niveau.	<p>Vérifiez le niveau de la machine à glaçons et faites les ajustements nécessaires.</p> <ul style="list-style-type: none"> - Vérifiez le niveau du réfrigérateur, voyez les instructions d'installation. - Éteignez la machine à glaçons. - Utilisez la bulle de l'indicateur de niveau pour niveler la machine à glaçons. <ul style="list-style-type: none"> • Tenez l'indicateur de niveau à bulle près du bas de la machine à glaçons. • Desserrez les vis latérales de la machine à glaçons. <i>Remarque : Il se peut que vous deviez dévisser ces vis suffisamment pour les sortir de l'enveloppe, cela pour permettre au support de la machine à glaçons de ne pas être gêné par les bosses dans l'enveloppe.</i> • Mettez la machine à glaçons à niveau et resserrez la vis. • Répétez ces étapes au besoin.
La porte ne se referme pas entièrement	Le joint de la porte colle ou se replie du côté des charnières.v	Appliquez un peu de vaseline sur la surface du joint.
Lueur orange dans le congélateur	Le cycle de dégivrage est en cours.	C'est normal.
Le distributeur de glaçons ne fonctionne pas (sur certains modèles)	La machine à glaçons est éteinte ou l'alimentation en eau a été coupée.	Mettez en marche la machine à glaçons ou rétablissez l'alimentation en eau.
	Des glaçons sont collés au bras régulateur.	Retirez les glaçons.
	Blocs de glace irréguliers dans le bac à glaçons.	Brisez-en autant que possible avec vos doigts et jetez ceux qui restent.
		Le congélateur est peut-être trop chaud. Réglez la commande du congélateur sur une température plus basse, en abaissant la commande d'une position à la fois jusqu'à ce que les blocs de glace disparaissent.
Distributeur est VERROUILLÉ.	Appuyez et maintenez enfoncée la touche Lock (verrouillage) pendant 3 secondes.	
Mauvais goût/odeur de l'eau (sur certains modèles)	Le distributeur d'eau n'a pas été utilisé depuis longtemps.	Faites couler l'eau jusqu'à ce que l'eau du système soit remplacée par de l'eau fraîche.
L'eau versée dans le premier verre est chaude (sur certains modèles)	Normal lorsque le réfrigérateur est initialement installé.	Attendez 24 heures pour que la température du réfrigérateur se stabilise.
	Le distributeur d'eau n'a pas été utilisé depuis longtemps.	Faites couler l'eau jusqu'à ce que l'eau du système soit remplacée par de l'eau fraîche.
	Le réservoir d'eau vient d'être vidangé.	Attendez plusieurs heures pour que l'eau refroidisse.

Conseils de dépannage... Avant de faire un appel de service

Problème	Causes possibles	Correctifs
Le distributeur d'eau ne fonctionne pas (sur certains modèles)	L'alimentation en eau est coupée ou n'est pas raccordée.	Consultez Installation de la conduite d'eau.
	Le filtre à eau est bouché.	Remplacez la cartouche du filtre avec une nouvelle cartouche ou installez le bouchon du filtre.
	Il y a de l'air dans la conduite d'eau.	Appuyez sur le bras de distribution pendant au moins deux minutes.
	Distributeur est VERROUILLÉ.	Appuyez et maintenez enfoncée la touche Lock (réglage du verrouillage) pendant 3 secondes.
L'eau jaillit du distributeur	La cartouche du filtre vient d'être installée.	Faites couler l'eau du distributeur pendant 3 minutes (environ 6 litres).
Ne distribue pas d'eau	L'eau du réservoir est gelée.	Planifiez une visite de service en ligne sur cafeappliances.com/service .
La machine à glaçons ne distribue ni eau ni glaçons	La conduite d'eau ou le robinet d'arrêt est bouché.	Appelez un plombier.
	Le filtre à eau est bouché.	Remplacez la cartouche du filtre avec une nouvelle cartouche ou installez le bouchon du filtre.
	Distributeur est VERROUILLÉ.	Appuyez et maintenez enfoncée la touche Lock (verrouillage) pendant 3 secondes.
Odeur dans le réfrigérateur	Des aliments ont transmis leur odeur au réfrigérateur.	Les aliments à odeur forte doivent être emballés hermétiquement.
		Gardez une boîte ouverte de bicarbonate de soude dans le réfrigérateur.
	Il faut nettoyer l'intérieur.	Consultez Entretien et nettoyage.
	Il faut nettoyer le système d'évacuation de l'eau de dégivrage.	Consultez Entretien et nettoyage.
De l'humidité se forme à l'extérieur du réfrigérateur	Pas inhabituel pendant les périodes de forte humidité	Essuyez la surface.
De la condensation s'accumule à l'intérieur	Les portes sont ouvertes trop fréquemment ou pendant trop longtemps.	
L'éclairage intérieur ne fonctionne pas	Il n'y a pas de courant au niveau de la prise.	Remplacez le fusible ou réenclenchez le disjoncteur.
	L'ampoule est grillée.	Consultez Remplacement des ampoules.
	LE MODE SABBAT est peut-être actif.	Quittez le MODE SABBAT en suivant les instructions.
Eau sur le sol ou au fond du congélateur	L'orifice d'écoulement au fond du congélateur est peut-être bouché.	Consultez Entretien et nettoyage.
	Il y a des glaçons bloqués dans le conduit.	Faites passer les glaçons à l'aide d'une cuillère en bois.
Air chaud à la base du réfrigérateur	Courant d'air normal provenant du moteur. Pendant le processus de réfrigération, il est normal que de la chaleur soit expulsée à la base du réfrigérateur. Certains revêtements de sol sont sensibles et peuvent se décolorer sous l'effet de cette température de fonctionnement normale qui est sans danger.	
Cubed Ice (glaçons) était choisi mais Crushed Ice (glace concassée) a été distribuée (sur certains modèles)	Le réglage précédent était <i>Crushed Ice</i> (glace concassée).	Quelques cubes sont restés et ont été concassés à cause du réglage précédent. C'est normal.
Bruit fréquent de vibrations	La machine à glaçons est réglée à ON (Marche).	Réglez la machine à glaçons à OFF (Arrêt) sur le panneau de commande. Garder la machine à glaçons à ON (Marche) endommagera le robinet d'eau.

Notes

Garantie limitée du réfrigérateur Café

cafeappliances.ca

Toutes les réparations en vertu de la garantie sont fournies par nos Centre de Service d'Usine ou par un technicien en réparation autorisé. Pour prévoir une réparation, consultez notre site cafeappliances.ca/service. Veuillez avoir votre numéro de série et votre numéro de modèle à portée de main lorsque vous appelez pour obtenir un service.

Pendant la période de garantie de :	Café remplacera :
Un An A compter de la date d'achat initial	Toute pièce du réfrigérateur qui s'avère défectueuse en raison d'un défaut de matériau ou de fabrication. Pendant la validité de la présente garantie limitée d'un an, Café fournira également gratuitement la main d'œuvre et le service pour réparer la pièce défectueuse.
Trente jours (filtre à eau, si inclus) A compter de la date d'achat initial	Toute pièce de la cartouche filtrante qui ne fonctionne pas à cause d'un vice de matériau ou de main d'œuvre. Pendant la validité de la présente garantie limitée de 30 jours , Café fournira gratuitement une cartouche filtrante de remplacement.
Cinq Ans A compter de la date d'achat	Toute pièce du système fermé du réfrigérateur (compresseur, condenseur, évaporateur et tous les tuyaux de raccordement) qui s'avère défectueuse en raison d'un défaut de matériau ou de fabrication. Pendant la validité de la présente garantie limitée de cinq ans , Café fournira également gratuitement la main d'œuvre et le service pour réparer la pièce défectueuse dans le système fermé du réfrigérateur.

Ce qui n'est pas couvert par Café :

- Les déplacements à votre domicile pour vous expliquer l'utilisation de ce produit
- Une installation, livraison ou maintenance défectueuse.
- Une panne du produit par abus d'utilisation, par mauvaise utilisation, par modification ou s'il a été utilisé dans un but autre que celui pour lequel il a été fabriqué.
- Détérioration des aliments.
- Le remplacement des fusibles ou le réenclenchement du disjoncteur du domicile.
- Les dommages causés après la livraison.
- Le remplacement de la cartouche filtrante, si incluse, à cause d'une pression d'eau en dehors de la gamme de fonctionnement recommandée ou à cause d'une concentration excessive de sédiments dans l'eau d'alimentation.
- Le remplacement des ampoules, si incluses, ou la cartouche filtrante, si incluse, et dans des conditions autres que celles susmentionnées.
- Tout dommage causé par accident, incendie, inondation ou une catastrophe naturelle.
- Tout dommage fortuit ou indirect causé par des défauts éventuels de cet appareil.
- Le service s'il est impossible d'avoir accès au produit.
- Dommages causés par l'utilisation d'un filtre qui n'est pas de marque GE Appliances.
- Les dommages à la finition, tels que rouille de surface, ternissement ou petites taches, non signalés dans un délai de 48 heures suivant la livraison.

EXCLUSION DES GARANTIES TACITES

Votre recours exclusif est l'échange du produit suivant les modalités de la Garantie Limitée. Toutes garanties tacites, y compris les garanties de valeurs marchandes ou d'adéquation à des fins particulières, sont limitées à une durée d'un an ou à la durée la plus courte autorisée par la loi.

Pour les clients des États-Unis : Cette garantie limitée est offerte à l'acheteur initial et à tout propriétaire successif de produits à usage domestique à l'intérieur des États-Unis. Si le produit est installé dans une région où ne se trouve aucun réparateur autorisé Café, vous devrez peut-être assumer les frais de transport ou apporter l'appareil à un centre de service autorisé Café. En Alaska, la garantie limitée exclut les frais d'expédition ou de service à votre domicile.

Certains états n'acceptent pas d'exclusion ou de limites aux dommages indirects consécutifs. Cette garantie vous accorde des droits particuliers et il peut exister d'autres droits qui varient selon l'État ou la province. Pour connaître vos droits juridiques, veuillez consulter le bureau local ou le bureau d'état des affaires aux consommateurs ou le Procureur Général de votre état.

Garant : États-Unis : GE Appliances, a Haier company
Louisville, KY 40225

Cette garantie est étendue à l'acheteur d'origine et aux propriétaires suivants pour tout produit acheté aux Canada pour une utilisation domestique aux Canada. Le service à domicile en vertu de la garantie sera fourni dans les régions où il est disponible et où Mabe estime raisonnable de le fournir.

Garant Canada: MC Commercial, Inc., Burlington, Ontario, L7R 5B6

GARANTIE LIMITÉE

Pour bénéficier du service de réparation sous garantie, une preuve de la date d'achat initial est nécessaire.

Fiche technique de performance Système de filtration SmartWaterMC - Cartouche MWF

La concentration des substances dans l'eau circulant dans le système indiquée a été réduite à une concentration moindre ou égale à la limite admissible d'eau s'échappant du système comme spécifié aux normes 42 et 53 de la NSF/ANSI. Le système a été mis à l'épreuve et certifié par NSF International selon les normes 42 et 53 de la NSF/ANSI concernant la réduction des substances indiquées ci-dessous.

Capacité 300 gallons (1 135 litres). Réduction de contaminants déterminée par des essais NSF.

Substance analysée pour la réduction	Concentration influente moyenne	Concentration influente spécifiée par NSF	% moyen de réduction	Moyenne de concentration de l'eau	Concentration max admissible de l'eau	Exigences de réduction NSF	Rapport d'essai NSF
Goût et odeur de chlore	2.0 mg/L	2.0 mg/L ± 10%	97.4%	0.05 mg/L	N/A	≥ 50%	J-00137878
Particules nominales, Classe I ≥0,5 à < 1,0 µm	11,333,333 pts/mL	Au moins 10 000 particules/mL	99.9%	5,510 pts/mL	N/A	≥85%	J-00137881
Kystes*	101,000 cysts/L	Minimum 50,000 Kystes/L	99.99%	1 Kystes/L	N/A	≥99.95%	J-00100036
Amiante	133 MF/L	10 ⁷ à 10 ⁸ fibres/L; fibres supérieures à 10 µm de long	>99%	<1 MF/L	N/A	≥99%	J-00137886
Atrazine	0.008 mg/L	0.009 mg/L ± 10%	91.3%	0.0007 mg/L	0.003 mg/L	N/A	J-00137910
Benzène	0.014 mg/L	0.015 mg/L ± 10%±	96.5%	0.0005 mg/L	0.005 mg/L	N/A	J-00137912
Carbofuran	0.08 mg/L	0.08 mg/L ± 10%	74.5%	0.01 mg/L	0.04 mg/L	N/A	J-00147488
Endrin	0.007 mg/L	0.006 mg/L ± 10%	97.1%	0.0002 mg/L	0.002 mg/L	N/A	J-00100039
Plomb @ pH 6.5	0.148 mg/L	0.15 mg/L ± 10%	99.3%	0.001 mg/L	0.010 mg/L	N/A	J-00137914
Plomb @ pH 8.5	0.155 mg/L	0.15 mg/L ± 10%	99.3%	0.001 mg/L	0.010 mg/L	N/A	J-00137915
Lindane	0.002 mg/L	0.002 mg/L ± 10%	96.5%	0.00002 mg/L	0.0002 mg/L	N/A	J-00137924
Mercurure @ pH 6.5	0.006 mg/L	0.006 mg/L ± 10%	87.6%	0.0004 mg/L	0.002 mg/L	N/A	J-00137925
Mercurure @ pH 8.5	0.006 mg/L	0.006 mg/L ± 10%	93.2%	0.0007 mg/L	0.07 mg/L	N/A	J-00092355
P-dichlorobenzène	0.223 mg/L	0.225 mg/L ± 10%	99.8%	0.005 mg/L	0.075 mg/L	N/A	J-00137926
Tétrachloréthylène	0.014 mg/L	0.015 mg/L ± 10%	96.5%	0.0005 mg/L	0.005 mg/L	N/A	J-00137929
Toxaphène	0.017 mg/L	0.015 mg/L ± 10%	>93.9%	0.001 mg/L	0.003 mg/L	N/A	J-00137928
2, 4-D	0.192 mg/L	0.210 mg/L ± 10%	77.7%	0.040 mg/L	0.07 mg/L	N/A	J-00147489

*Basé sur l'utilisation des oocystes de cryptosporidium parvum.

Les énoncés de réduction pharmaceutiques n'ont pas été certifiés par la NSF International ou l'état de la Californie. Énoncés éprouvés et vérifiés par un laboratoire indépendant :

Réduction de contaminant	Moyenne d'affluent	Concentration d'amorce spécifiée par NSF	% réduction moyenne	Moyenne de concentration de l'eau	Concentration max admissible de l'eau	Exigences de réduction NSF	Rapport d'essai NSF
Aténolol	978 ng/L	N/A	99.5%	5.0 ng/L	N/A	N/A	J-00121587
Flouxétine	907 ng/l	N/A	99.4%	5.4 ng/L	N/A	N/A	J-00121587
Ibuprofène	885 ng/L	N/A	94.1%	52.3 ng/L	N/A	N/A	J-00121588
Progesterone	1097 ng/L	N/A	99.5%	5.0 ng/L	N/A	N/A	J-00121589
Triméthoprim	415 ng/L	N/A	99.5%	2.0 ng/L	N/A	N/A	J-00121587

Directives et paramètres de l'alimentation en eau

Débit fourni	0.5 gpm (1.9 lpm)
Alimentation en eau	Eau potable

Pression d'eau	40-120 psi (2.8-8.2 bar)
Température de l'eau	33°F-100°F (0.6°C-38°C)

Il est impératif que les méthodes d'installation, d'entretien et de remplacement du filtre recommandées par le fabricant de ce produit soient respectées. Consultez le manuel d'installation pour connaître les renseignements de la garantie.

Remarque : Bien que les essais aient été effectués dans des conditions normales de laboratoire, la performance actuelle peut varier. La mise à l'épreuve de réduction de contaminants est effectuée tous les cinq (5) ans par une agence de certification afin de conserver la certification.

Cartouche de rechange : MWF. Pour connaître les coûts évalués des articles de rechange, veuillez appeler au 1.877.959.8688 ou visitez notre site internet au cafeappliances.ca.

⚠ AVERTISSEMENT

Pour réduire le risqué associé à l'ingestion de contaminants :

- **N'utilisez pas l'eau dont la salubrité microbiologique est inconnue ou dangereuse sans avoir effectué une désinfection des composants d'arrivée et de sortie du système.** Les systèmes certifiés pour la réduction de kystes peuvent être utilisés pour de l'eau désinfectée contenant des kystes filtrables.

AVIS

Pour réduire le risque associé aux dommages matériels causés par des fuites d'eau :

- **Lisez et suivez** les instructions avant de procéder à l'installation et d'utiliser votre système.
- L'installation et l'utilisation **DOIVENT** être conformes à tous les codes locaux et nationaux de plomberie.
- **Ne procédez pas** à l'installation si la pression de l'eau dépasse 120 lb/po² (8,2 bars). Si votre pression d'eau dépasse 80 lb/po² (5,5 bar), il est nécessaire d'installer un système de limitation de pression. Communiquez avec un plombier professionnel si vous n'êtes pas sûr de la méthode de vérification de la pression d'eau.
- **N'installez pas** le système s'il y a des possibilités de coups de bélier. En cas de coup de bélier, vous **devez** installer un dispositif anticoup de bélier. Communiquez avec un plombier professionnel si n'êtes pas sûr de la méthode permettant de vérifier cette condition.
- **Ne raccordez pas** le système à des conduites d'alimentation d'eau chaude. La température de service maximale de ce système de filtre est de 38 °C (100 °F).
- **Protégez le filtre contre le gel.** Vidangez l'eau du filtre lorsque la température se situe sous 0,6 °C (33 °F).
- La cartouche du filtre jetable **doit** être remplacée tous les **six (6)** mois ou moins si le débit d'eau du distributeur d'eau ou du distributeur de glace diminue.



Mis à l'essai et certifié par NSF International conformément aux normes 42 et 53 de la ANSI/NSF du modèle MWF de GE pour les énoncés de réductions mentionnés à la fiche technique de performance.

Garantie limitée de la cartouche filtrante d'eau MWF

Contactez-nous au cafeappliances.ca

Pendant une période de :	GE Appliances remplacera :
Trente jours À partir de la date d'achat d'origine	Toute pièce défectueuse de la cartouche filtrante en raison d'un vice de matière ou de fabrication durant cette garantie limitée de trente jours.*

Ce que la garantie ne couvre pas :

- Déplacement d'un technicien au domicile pour des explications sur le produit.
- Installation incorrecte.
- La défectuosité du produit s'il a été utilisé abusivement, a été mal utilisé ou utilisé à d'autres fins que celle prévues ou à des fins commerciales.
- Le remplacement des fusibles ou le réenclenchement du disjoncteur du domicile.
- Détérioration du produit imputable à : accident, incendie, inondation ou catastrophe naturelle.
- Dommages accessoires ou indirects résultant de possibles défectuosités de cet appareil.

EXCLUSION DES GARANTIES IMPLICITES

Votre seul et unique recours consiste dans le remplacement de la pièce telle que décrite dans cette Garantie limitée. Toute garantie implicite, y compris les garanties relatives à la qualité marchande ou à l'adéquation à un usage particulier, est limitée à six mois ou à la période la plus courte autorisée par la loi.

Cette garantie est destinée à l'acheteur d'origine et à tout propriétaire subséquent pour les produits acquis à des fins d'utilisation domestique à l'intérieur des États-Unis. En Alaska, la garantie exclut les frais de livraison et les appels de service depuis votre domicile.

Certains États n'autorisent pas l'exclusion ou la limitation des dommages accessoires ou indirects. Certains droits particuliers vous sont dévolus en vertu de la présente garantie et peuvent s'accompagner d'autres droits qui varient d'un État à l'autre. Pour connaître vos droits, consultez l'autorité locale ou de l'État en matière de droits des consommateurs, ou encore le Procureur général de votre État.

Achats effectués en Iowa : Ce formulaire doit être signé et daté par l'acheteur et le vendeur avant la consommation du produit.

Ce formulaire doit être conservé dans les dossiers du vendeur pendant un minimum de deux ans.

Acheteur :

Nom _____

Adresse _____

Ville _____ État _____ Code postal _____

Signature _____ Date _____

Vendeur :

Nom _____

Adresse _____

Ville _____ État _____ Code postal _____

Signature _____ Date _____

*Si votre pièce GE Appliances s'avère défectueuse en raison d'un vice de fabrication durant la période de trente jours suivant la date d'achat d'origine, nous vous offrirons, à notre discrétion et sans frais, une pièce neuve ou reconstruite. Retournez la pièce défectueuse au fournisseur où s'est effectué l'achat accompagnée d'une copie de la preuve d'achat de la pièce. Si la pièce s'avère défectueuse et qu'elle ne présente aucun signe d'usage abusif, elle sera remplacée. La garantie ne couvre pas la défectuosité de pièces qui ont été endommagées alors qu'elles étaient en votre possession, dont l'usage a été abusif, ou dont l'installation est incorrecte. Elle ne couvre pas les frais de retour de la pièce au fournisseur où l'achat a eu lieu, ni les coûts de main-d'œuvre pour la retirer ou l'installer afin de diagnostiquer la défectuosité. Elle ne couvre pas les pièces dont l'usure découle d'une utilisation commerciale, à l'exception des équipements de climatisation. En aucune circonstance GE Appliances ne sera tenue responsable des dommages indirects.

Débiteur de la garantie : GE Appliances, a Haier company
Louisville, KY 40225

Brochez votre reçu ici. La preuve d'achat d'origine est obligatoire pour obtenir le service en vertu de la garantie.

Soutien au consommateur

Site Web de Café

Vous avez une question ou vous avez besoin d'aide pour votre appareil électroménager? Visitez le site Web de Café 24 heures par jour, tous les jours de l'année! Vous pouvez aussi y trouver d'autres formidables produits Café et tirer avantage de tous nos services d'assistance en ligne. Aux États-Unis : cafeappliances.com
Au Canada : cafeappliances.ca

Enregistrez votre électroménager

Enregistrez votre nouvel appareil en ligne au moment qui vous convient le mieux! L'enregistrement de votre produit dans les délais prescrits permet une meilleure communication et un service rapide, selon les modalités de votre garantie, si besoin est. Vous pouvez également envoyer par courrier la carte d'enregistrement pré-imprimée qui se trouve dans l'emballage de votre appareil.

Aux États-Unis : cafeappliances.com/register

Au Canada : cafeappliances.ca

Service de réparation

Un service de réparation expert Café se trouve à quelques pas de chez vous. Rendez-vous sur notre site et programmez, à votre convenance, une visite de réparation à n'importe quel jour de l'année.

Aux États-Unis : cafeappliances.com/service

Au Canada : cafeappliances.ca

Prolongation de garantie

Procurez-vous une prolongation de garantie Café et informez-vous des rabais spéciaux en vigueur pendant la durée de votre garantie. Vous pouvez vous la procurer en ligne en tout temps. Les services Café seront toujours disponibles après l'expiration de la garantie. Aux États-Unis : cafeappliances.com/service

Au Canada : cafeappliances.ca

Pièces et accessoires

Les personnes ayant les compétences requises pour réparer elles-mêmes leurs appareils peuvent recevoir directement à la maison des pièces ou accessoires (les cartes VISA, MasterCard et Discover sont acceptées). Commandez en ligne 24 heures par jour.

Aux États-Unis : cafeappliances.com

Au Canada : cafeappliances.ca

Les instructions contenues dans le présent manuel comportent des procédures que tout utilisateur peut effectuer. Les autres types de réparation doivent généralement être confiés à un technicien qualifié. Utilisez de prudence : une réparation ou un entretien mal effectués peuvent rendre l'utilisation de l'appareil dangereuse.

Communiquez avec nous

Si vous n'êtes pas satisfait du service après-vente de Café, communiquez avec nous depuis notre site Web en fournissant tous les détails dont votre numéro de téléphone, ou écrivez à :

Aux États-Unis : General Manager, Customer Relations | Café, Appliance Park | Louisville, KY 40225
cafeappliances.com/contact

Au Canada : Director, Consumer Relations, Mabe Canada Inc. | Suite 310, 1 Factory Lane | Moncton, N.B. E1C 9M3
cafeappliances.ca



DISTINCT BY DESIGN™

Manual del propietario e instrucciones de instalación

Lado a Lado Refrigeradores

Models: CSB42, CSB48

Contents

Información de Seguridad	3	Instrucciones de Instalación	19
Instrucciones de Funcionamiento		Preparación para Instalar el Refrigerador	19
Controles	5	Instalación del Refrigerador	22
Dispensador	8	Consejos para la Solución de Problemas	
Máquina de Hacer Hielo Automática	10	Condiciones de Funcionamiento Normal	28
Filtro de Agua	11	Consejos para la Solución de Problemas	29
Cajón con control de clima	12	Garantía Limitada	33
TurboCool™	12	Soporte al Cliente	
TurboFreeze™	12	Ficha Técnica de Rendimiento de MWF	34
Cajones de almacenamiento	13	Garantía Limitada del Cartucho	
Repisas	14	del Filtro de Agua MWF	35
Recipientes y canasta	15	Soporte al Cliente	36
WiFi	16		
Cuidado y Limpieza	17		

Escriba los números de modelo y de serie aquí:

Nº de Modelo _____

Nº de Serie _____

Encontrará estos números en una etiqueta en la parte inferior del compartimiento del refrigerador, debajo de la bandeja inferior.

ESPAÑOL

GRACIAS POR HACER QUE CAFÉ SEA PARTE DE SU HOGAR.

Sentimos orgullo por el nivel de arte, innovación y diseño de cada uno de los electrodomésticos de Café, y creemos que usted también. Entre otras cosas, el registro de su electrodoméstico asegura que podamos entregarle información importante del producto y detalles de la garantía cuando los necesite.

Registre su electrodoméstico Café ahora a través de Internet. Sitios Web y números telefónicos útiles están disponibles en la sección de Soporte para el Consumidor de este Manual del Propietario. También puede enviar una carta en la tarjeta de inscripción preimpresa que se incluye con el material embalado.

C A F É

DISTINCT BY DESIGN™

INFORMACIÓN IMPORTANTE DE SEGURIDAD

LEA TODAS LAS INSTRUCCIONES ANTES DE USAR

⚠️ ADVERTENCIA

A fin de reducir el riesgo de incendio, explosión, descargas eléctricas o lesiones al usar su refrigerador, siga estas precauciones básicas de seguridad:

- Este refrigerador se deberá instalar y ubicar adecuadamente de acuerdo con las Instrucciones de Instalación antes de ser usado.
- Desenchufe el refrigerador antes de realizar su limpieza o reparaciones.

NOTA: La corriente al refrigerador no puede ser desconectada a través de una configuración del panel de control.

NOTA: Las reparaciones deberán ser realizadas por un Profesional del Servicio Técnico calificado.
- Reemplace todas las piezas y paneles antes del uso.
- No use un prolongador.
- Mantenga cualquier material y vapores inflamables alejados del refrigerador.
- No guarde sustancias explosivas tales como latas de aerosoles con propelentes inflamables en este dispositivo.
- A fin de evitar riesgos de que los niños sufran asfixia o queden atrapados, retire las puertas de alimentos frescos y del freezer de cualquier refrigerador antes de deshacerse de o de dejar de usar el mismo.
- A fin de evitar lesiones graves o la muerte, los niños no se deberán parar sobre, ni jugar en o con el electrodoméstico.
- Los niños y las personas con capacidad física, sensorial o mental reducida o con falta de experiencia y conocimiento podrán usar este electrodoméstico sólo si son supervisados o les fueron dadas instrucciones sobre un uso seguro y entienden los riesgos involucrados.
- Este electrodoméstico fue diseñado para uso hogareño y en unidades similares tales como: áreas de personal de cocina en tiendas, oficinas y otros espacios laborales; casas de campo; por clientes en hoteles, moteles, hostales y otros espacios residenciales, catering y unidades no minoristas similares.
- Realice la conexión a un suministro de agua potable únicamente. Se requiere un suministro de agua fría para el funcionamiento de la máquina de hielos automática. La presión del agua deberá estar entre 40 y 120 psi (275-827 kilopascales).
- No aplique limpiadores ásperos sobre el refrigerador. Ciertos limpiadores dañarán el plástico, lo cual podrá hacer que ciertas piezas tales como la puerta o las manijas de las puertas se separen de forma inesperada. Para acceder a instrucciones detalladas, lea la sección de Cuidado y Limpieza.

⚠️ PRECAUCIÓN

A fin de reducir el riesgo de lesiones al usar el refrigerador, siga estas precauciones básicas.

- No limpie estantes de vidrio ni tapas con agua caliente cuando estén fríos. Los estantes de vidrio y las tapas se pueden romper si son expuestos a cambios de temperatura repentinos o impactos, tales como sacudones o caídas. El vidrio templado está diseñado para destruirse en pequeñas piezas en caso de rotura.
- Mantenga los dedos fuera de los espacios de "riesgo de lastimaduras"; los despejes entre las puertas y entre las puertas y el gabinete son necesariamente pequeños. Tenga el cuidado de cerrar las puertas cuando los niños se encuentren en el área.
- No toque las superficies frías del compartimiento del freezer cuando las manos estén húmedas o mojadas, ya que la piel se podrá adherir a estas superficies extremadamente frías.
- No vuelva a congelar comidas que hayan estado totalmente congeladas en forma previa.
- En refrigeradores con máquinas de hacer hielo automáticas, evite el contacto con las partes móviles del mecanismo eyector o con el elemento de calefacción que libera los cubos. No coloque los dedos ni las manos en el mecanismo de la máquina de hielo automática mientras el refrigerador esté enchufado.

⚠️ ADVERTENCIA



RIESGO DE INCENDIO O EXPLOSIÓN Refrigerantes Inflamables

Este electrodoméstico cuenta con refrigerante isobutano, también conocido como R600a, un gas natural con alto nivel de compatibilidad medioambiental. Sin embargo, también es combustible. Siga las advertencias que figuran a continuación, a fin de reducir el riesgo de lesiones o daños sobre la propiedad.

1. Al mover, instalar y operar el electrodoméstico, se deberá tener cuidado de no dañar la tubería del refrigerante.
2. El servicio técnico sólo debe ser realizado por personal autorizado del servicio. Use sólo piezas del servicio autorizadas por el fabricante
3. Descarte el electrodoméstico de acuerdo con las Regulaciones Federales y Locales. El refrigerante inflamable y el material aislante inflamable usados requieren procedimientos de descarte especiales. Comuníquese con las autoridades locales para descartar su refrigerador de forma ambientalmente segura.
4. Mantenga las aberturas de ventilación en el espacio de protección del electrodoméstico o en la estructura incorporada libres de obstrucción.
5. A fin de eliminar la escarcha, raspe con una espátula o raspador de plástico o madera. No use un instrumento con pico de hielo, metal, o con forma puntiaguda, ya que esto podrá perforar el revestimiento del freezer y luego la tubería refrigerante inflamable detrás de éste.
6. No use dispositivos eléctricos dentro del compartimiento de almacenamiento de comida del electrodoméstico.
7. No use ningún dispositivo eléctrico para descongelar su refrigerador.

LEA Y GUARDE ESTAS INSTRUCCIONES

INFORMACIÓN IMPORTANTE DE SEGURIDAD LEA TODAS LAS INSTRUCCIONES ANTES DE USAR

INSTALACIÓN

⚠ ADVERTENCIA **RIESGO DE INCENDIO O EXPLOSIÓN**

Mantenga cualquier material y vapores inflamables alejados del refrigerador. Si no se cumple con esto, se podrá producir una explosión, un incendio o la muerte.

⚠ ADVERTENCIA **Riesgo de Caídas.**

Estos electrodomésticos son inestables, especialmente cuando una puerta se encuentre abierta, y deben estar asegurados a fin de evitar caídas hacia adelante que podrían resultar en la muerte o en lesiones graves. Lea y siga las instrucciones de instalación en su totalidad para asegurar el electrodoméstico con el sistema anti volcaduras.

CONEXIÓN DE LA ELECTRICIDAD

⚠ ADVERTENCIA **RIESGO DE DESCARGA ELÉCTRICA**

Enchufe en un tomacorriente con conexión a tierra de 3 cables.

No elimine el cable de conexión a tierra.

No use un adaptador.

No use un prolongador.

Si no se siguen estas instrucciones se podrá producir a muerte, incendios o descargas eléctricas.

Nunca, bajo ninguna circunstancia, corte o elimine el tercer cable (tierra) del cable de corriente. Para su seguridad personal, este electrodoméstico debe estar adecuadamente conectado a tierra.

El cable de corriente de este electrodoméstico contiene un enchufe de 3 cables (conexión a tierra) que se conecta a un tomacorriente de pared estándar de 3 cables (conexión a tierra) para minimizar la posibilidad de riesgos de descargas eléctricas por parte del mismo.

Contrate a un electricista calificado para que controle el tomacorriente y el circuito eléctrico, a fin de asegurar que el enchufe esté correctamente conectado a tierra.

En caso de contar con un tomacorriente de pared de 2 cables, es su responsabilidad y obligación reemplazarlo por un tomacorriente de pared de 3 cables correctamente conectado a tierra. No use un adaptador.

El refrigerador debería estar siempre conectado a un enchufe específico con un índice de voltaje equivalente al que figura en su etiqueta de características técnicas.

Se requiere un suministro eléctrico con fusible y conexión a tierra de 115 voltios de CA, 60 Hz, 15 o 20 amperes. Esto garantiza el mejor funcionamiento y además previene la sobrecarga de los circuitos del hogar, lo cual podría ocasionar riesgos de incendio debido al recalentamiento de cables.

Nunca desenchufe el refrigerador tirando del cable de corriente. Siempre tome su enchufe firmemente y empuje el mismo hacia afuera para retirarlo.

Repáre o reemplace de inmediato todos los cables de corriente pelados o con cualquier tipo de daño. No use un cable con cortaduras o abrasión sobre su extensión o extremos.

Al alejar el refrigerador de la pared, se deberá tener cuidado de que no ruede sobre ni dañe el cable de corriente.

⚠ ADVERTENCIA **PELIGRO DE SUFFOCATION Y ENTRAPMENT**

El incumplimiento de estas instrucciones de eliminación puede causar la muerte o lesiones graves.

IMPORTANTE: Que un niño quede atrapado o que sufra una asfixia no son problemas del pasado. Los refrigeradores antiguos o abandonados aún son peligrosos, incluso aunque se conserven por "sólo unos pocos días". Si se deshará de su antiguo refrigerador, siga las siguientes instrucciones a fin de evitar accidentes.

Antes de Descartar su Antiguo Aparato:

- Retire las puertas de refrigerador y del freezer.
- Deje los estantes en su lugar de modo que los niños no puedan trepar dentro con facilidad.

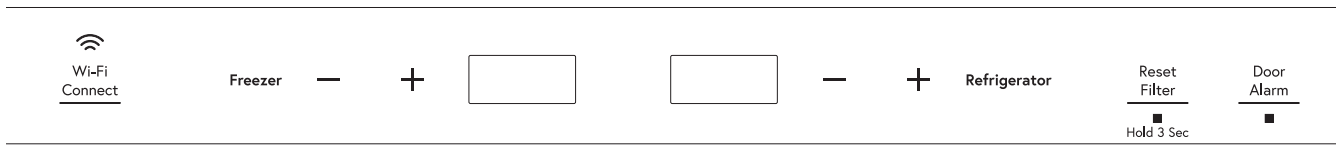
Cómo Eliminar Refrigerantes y Gomaespumas:

Descarte el electrodoméstico de acuerdo con las Regulaciones Federales y Locales. El refrigerante inflamable y el material aislante inflamable usados requieren procedimientos de descarte especiales. Comuníquese con las autoridades locales para descartar su electrodoméstico de forma ambientalmente segura

LEA Y GUARDE ESTAS INSTRUCCIONES

Controles

Modelos sin Dispensador



NOTA: El refrigerador se envía con una envoltura que protege los controles de temperatura. Si esta envoltura no fue retirada durante la instalación, retire la misma ahora.

Los controles de temperatura fueron configurados previamente en la fábrica en 37°F (3°C) para el compartimiento del refrigerador y en 0°F (-18°C) para el compartimiento del freezer. Espere 24 horas hasta que la temperatura se estabilice hasta los ajustes de preconfiguración recomendados.

Cambio de Temperatura para Modelos sin Dispensador

Para cambiar la temperatura, presione y libere la tecla (+) o (-) hasta la configuración de temperatura deseada para comida fresca y freezer de forma separada. Espere 24 horas hasta que el refrigerador alcance la temperatura que programó.

Para apagar el sistema de refrigeración, mantenga presionada cualquiera de las teclas (+) hasta que ambas pantallas muestren OFF (Apagado).

Máquina de Hielo para Modelos sin Dispensador

Para apagar la máquina de hielo, mantenga presionadas las teclas + y - de la función Refrigerator (Refrigerador) durante 5 segundos. La pantalla de temperatura mostrará ICE OFF (Hielo Apagado) o ICE ON (Hielo Encendido) en base al modo y luego regresará a la pantalla normal después de 5 segundos.

Modo Sabático

Para configurar Sabbath Mode (Modo Sabático), Mantenga presionadas las teclas FREEZER (Freezer) + y - al mismo tiempo durante 5 segundos. La pantalla de temperatura mostrará SA durante 5 segundos y luego la pantalla y las luces se apagarán. Las luces y la pantalla se apagarán hasta que Sabbath Mode (Modo Sabático)

se apague. Repita el proceso para apagar Sabbath Mode (Modo Sabático). Sabbath Mode (Modo Sabático) saldrá de forma automática del estado de este modo luego de 4 días calendario y 96 horas. El punto de configuración de temperatura será exhibido.

Controles

Modelos con Dispensador

Actualizamos nuestro software de forma constante. Por favor, use como referencia el manual del propietario completo a través de Internet para conocer las últimas funcionalidades en cafeappliances.com. En Canadá, visite cafeappliances.ca.

Las configuraciones de temperatura recomendadas y la preconfiguración de fábrica son de 37°F (3°C) para el refrigerador y de 0°F (-18°C) para el freezer.

NOTA: El refrigerador se envía con una envoltura que protege los controles de temperatura. Si esta envoltura no fue retirada durante la instalación, retire la misma ahora.

Los controles de temperatura fueron configurados previamente en la fábrica en 37°F (3°C) para el compartimiento del refrigerador y en 0°F (-18°C) para el compartimiento del freezer. Espere 24 horas hasta que la temperatura se estabilice en los ajustes de configuración previa recomendados.

Para Cambiar la Temperatura del Refrigerador:

Presione el botón **Settings** (Configuraciones) (⚙️) hasta que "Fridge" (Refrigerador) aparezca iluminado. Presione los botones de las flechas Up (Arriba) y Down (Abajo) para incrementar o reducir las configuraciones de temperatura.

Para Cambiar la Temperatura del Freezer:

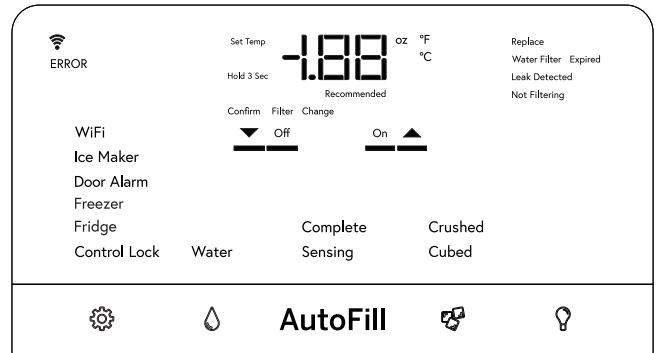
Presione el botón **Settings** (Configuraciones) (⚙️) hasta que "Freezer" (Freezer) aparezca iluminado. Presione los botones de las flechas Up (Arriba) y Down (Abajo) para incrementar o reducir las configuraciones de temperatura.

El sistema de refrigeración puede ser apagado presionando el botón **Settings** (Configuraciones) (⚙️) hasta que "Fridge" (Refrigerador) o "Freezer" (Freezer) aparezcan iluminados. Mantenga presionados ambos botones de las flechas Up (Arriba) y Down (Abajo) durante 3 segundos. "--" será exhibido cuando el sistema esté apagado. Apagar el sistema de refrigeración detiene la refrigeración del refrigerador, pero no corta la corriente eléctrica. El sistema de refrigeración puede ser encendido regresando a la configuración "Fridge" (Refrigerador) o "Freezer" (Freezer) y presionando el botón On (Encendido).

Control Settings

Configuraciones (⚙️) – Presione para pasar a través de las funciones del refrigerador.

- **Bloqueo del Control (Control Lock)** - Presione ON (Encendido) u OFF (Apagado) para desactivar esta función. Mantenga presionado Off (Apagado) durante 3 segundos para desactivar esta función.
- **Refrigerador (Fridge)** – Presione el botón Up (Arriba) o Down (Abajo) para incrementar o reducir la temperatura desde 34°F (1°C) hasta 42°F (6°C).
- **Freezer** – Presione el botón Up (Arriba) o Down (Abajo) para incrementar o reducir la temperatura desde -6°F (-21°C) hasta 5°F (-15°C).
- **Alarma de la Puerta (Door Alarm)** - Suena la alerta cuando las puertas del freezer o del refrigerador se hayan dejado abiertas. Posponga la alerta presionando cualquier tecla. Presione On (Encender) u Off (Apagar) para activar o desactivar Door Alarm (Alarma de la Puerta) mientras la alerta no se encuentra activa.
- **Máquina de Hielo (Ice Maker)** - Presione On (Encendido) u



Off (Apagado) para iniciar/ detener la máquina de hielo.

- **WiFi** - Presione On (Encender) para iniciar el proceso de conexión WiFi de acuerdo con las instrucciones que figuran en la página 13. Presione Off (Apagar) para desactivar el WiFi. Observe que reiniciar el WiFi requiere la repetición del proceso de conexión WiFi.

Agua () (Water) – Presione esta función para seleccionar Ice or Water (Hielo o Agua) a fin de dispensar los mismos cuando se presione la paleta.

Llenado Automático (AutoFill) – Presione esta función a fin de iniciar el sensor automático para el llenado desde el dispensador.

Hielo () (Ice) - Presione esta función para seleccionar el hielo picado o en cubos al presionar la paleta.

Luz () (Light) – Presione esta función para iluminar el dispensador. Se producirá un sonido de campanadas cada vez que presione.

Fahrenheit / Celsius:

La pantalla de temperatura se podrá mostrar en Fahrenheit o Celsius. Presione el botón de Configuraciones (Settings) (⚙️) para acceder a "Fridge" (Refrigerador) o "Freezer" (Freezer), y luego mantenga presionados los botones Ice (Hielo) y Light (Luz) durante tres segundos.

Control de Volumen:

El volumen de alerta podrá ser ajustado de High (Alto) a Low (Bajo) y Off (Apagado). Presione el botón de Configuraciones (Settings) (⚙️) para acceder a "Icemaker" (Máquina de Hielo), y luego mantenga presionados los botones Ice (Hielo) y Light (Luz) durante tres segundos.

Modo Sabático:

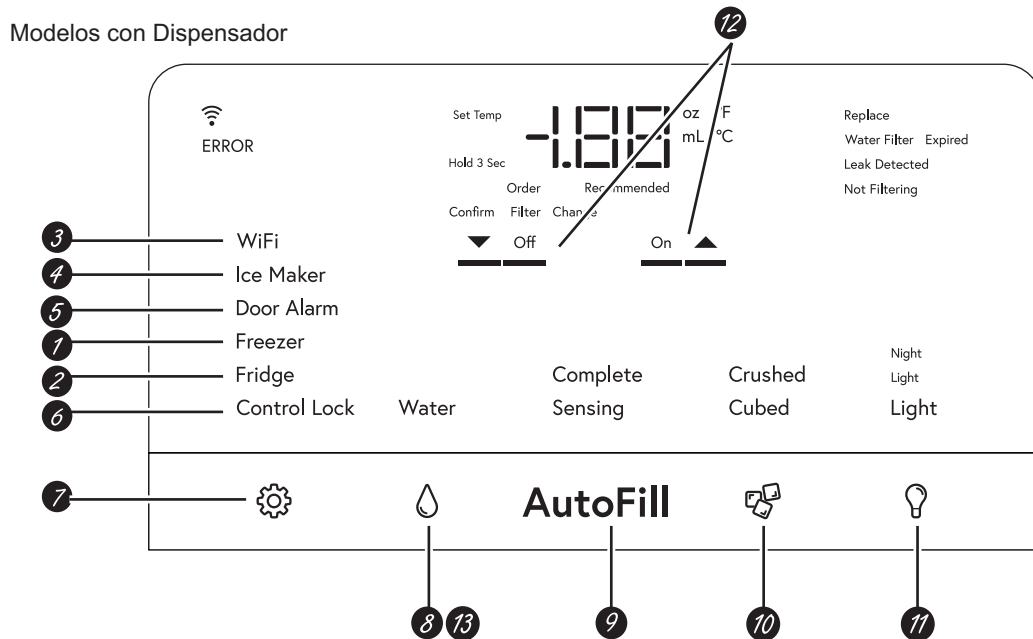
De forma simultánea, mantenga presionados los botones Settings (Configuraciones) (⚙️), Water (Agua) y Light (luz) durante tres segundos para ingresar o salir del modo Sabbath (Sabático). La pantalla exhibirá "SA" y el modo saldrá de forma automática del estado de esta función luego de 4 días y 96 horas calendario. El punto de configuración de temperatura será exhibido.

Sensor de Presencia:

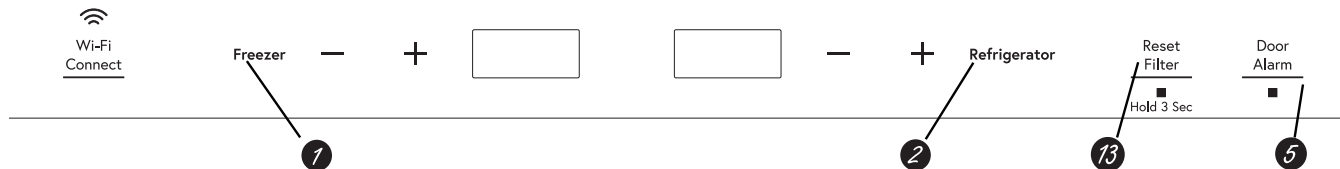
El Café cuenta con una función de activación a través de la detección de presencia, que detecta cuando usted se acerca al refrigerador. Enciende la luz incorporada y activa la barra de control rápido (la enciende). Para activar/ desactivar la función de activación por detección de presencia, navegue hasta "Ice Maker" (Máquina de Hielo) en el menú SETTINGS (Configuraciones), y durante 3 segundos mantenga presionada la función: [WATER + LIGHT] (Agua + Luz). Se exhibirá PS, que significa "Presence Sense" (Sensor de Presencia). Presione On (Activar) para activarlo y Off (Apagar) para desactivarlo.

Controles

No todos los modelos cuentan con todas las funciones.



Modelos sin Dispensador



- 1 Control de temperatura del freezer**
Ajusta la temperatura del compartimiento del freezer.
- 2 Control de temperatura de comida fresca**
Ajusta la temperatura del compartimiento de alimentos frescos.
- 3 WiFi**
Encienda y apague el WiFi.
- 4 Máquina de Hielo**
Encienda y Apague la máquina de hielo.
- 5 Alarma de la Puerta**
Suena para alertarlo cuando las puertas del freezer o de comidas frescas se hayan dejado abiertas durante más de 2 minutos. Presione Door Alarm (Alarma de la Puerta) y luego seleccione ON (Encendido) u OFF (Apagado).
- 6 Controles de Bloqueo**
Bloquee el dispensador de hielo y agua y todos los botones de funciones y temperatura.
- 7 Configuraciones**
Permite el cambio de configuraciones de la unidad.

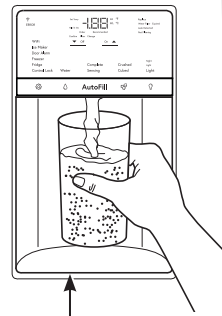
- 8 Agua**
Dispensa agua cuando la paleta es activada.
- 9 Llenado Automático**
Activa AutoFill (Llenado Automático) y de forma automática llena el envase.
- 10 Hielo**
Dispensa hielo cuando la paleta es activada.
- 11 Luz del dispensador LED**
La Luz LED puede ser encendida/ apagada para iluminar el dispensador.
- 12 ENCENDIDO/APAGADO**
Se utiliza para pasar las configuraciones a encendido y apagado.
- 13 Reinicie el filtro de agua**
Mantenga presionado el botón RESET FILTER (Reiniciar el Filtro) en modelos sin dispensador, o mantenga presionado el botón WATER (Agua) en modelos con dispensador para reiniciar el indicador del filtro.

Dispensador de hielo y agua (en algunos modelos)

Para dispensar agua o hielo: seleccione **Water** (Agua), **Crushed** (Picado), o **Cubed** (En Cubos). Presione el vaso suavemente contra el brazo del dispensador.

La bandeja de goteo no se vacía de forma automática. Para evitar las manchas de agua, el recogedor y la parrilla se deberán limpiar regularmente.

Si no se dispensa agua cuando el refrigerador se instala por primera vez, es posible que la cañería de agua posea aire. Presione el soporte del dispensador durante por lo menos dos minutos para eliminar el aire atrapado de la cañería de agua y para llenar el sistema de agua. A fin de limpiar las impurezas en la cañería de agua, descarte el primer galón (3.8 literas) de agua.



Bandeja de goteo

⚠ PRECAUCIÓN No introduzca nunca los dedos ni otros objetos en la apertura del dispensador de hielo triturado.

Bloqueo del Dispensador :

Presione la tecla Lock (Bloqueo) durante 3 segundos para bloquear el dispensador y la tecla de control. Para desbloquear, vuelva a presionar Lock (Bloquear) durante 3 segundos.

Light (Luz):

Esta función permite encender y apagar la luz. La luz también se enciende cuando el soporte del dispensador es presionado. Si esta lámpara se quema, comuníquese con el servicio de fábrica.

AUTOFILL (Llenado Automático)

Para Usar Llenado Automático con Manos Libres:

- Centre el envase en la Bandeja del Dispensador con la Depresión, sin activar la paleta, y retire la mano del envase.
- Presione **AutoFill** (Llenado Automático).

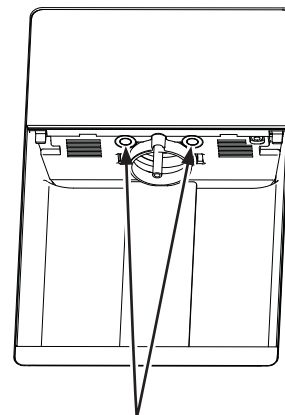
Para Detener AutoFill (Llenado Automático)

- Presione CUALQUIER tecla, incluyendo AutoFill (Llenado Automático), para detener esta función.

Factor Importante acerca del Llenado Automático

- Para obtener resultados óptimos, use un envase uniforme entre 10-20 cm (4 y 8") de alto y entre 5-15 cm (2 y 6") de ancho. El envase ser tan alto como los sensores inferiores.
- El nivel y funcionalidad del llenado pueden variar en envases más altos que 20 cm (8") o más anchos que 15 cm (6").
- Los volúmenes de los envases podrán variar. Si aparece el mensaje "ERROR" (Error), pruebe en un envase diferente.
- El tiempo de **AutoFill** (Llenado Automático) concluirá.
- Las manijas, sorbete y decoraciones sobre el borde del envase podrán ocasionar desbordes o variaciones en los volúmenes de llenado.

- Se podrán producir salpicaduras dependiendo de la ubicación del envase, el nivel de flujo del agua, la forma del envase, y los cubos de hielo.
- Conserve los sensores limpios con una tela húmeda y limpia, y no rocíe líquido ni limpiadores directamente sobre los sensores.
- **AutoFill** (Llenado Automático) funciona mejor con una presión de agua del hogar de 414 a 689 kPa (40 a 100 psi).
- El hielo en el envase puede afectar el volumen de llenado. Si se experimentan problemas, use menos hielo



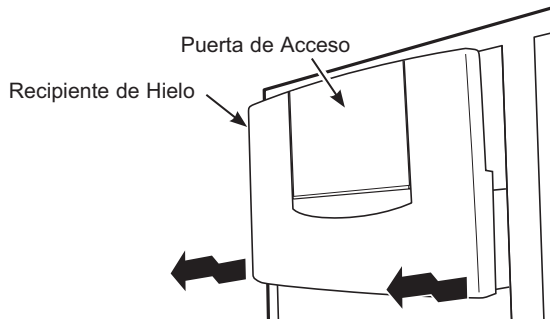
AutoFill Sensors

Dispensador de hielo y agua (en algunos modelos)

Gaveta de almacenamiento de hielo en modelos con dispensador

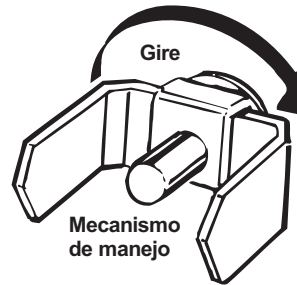
Para sacar:

Levante la puerta de acceso para llegar a la máquina de hielos. Configure el interruptor de corriente de la máquina de hielos en la posición OFF (Apagado). Con la puerta de acceso cerrada, sostenga el recipiente en la parte inferior mientras levanta levemente. Empuje el recipiente hacia fuera.



To replace:

Vuelva a deslizar el recipiente hasta que su lengüeta se bloquee en la ranura de la repisa. Si el recipiente no entra completamente hasta el fondo, retire el mismo y dé al mecanismo 1/4 de giro. Luego vuelva a presionar la hielera en su posición.



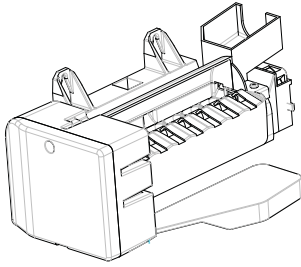
Datos importantes de su dispensador

- No agregue hielo de charolas o de bolsas en el recipiente. Podría provocar que no salga bien o que no se triture adecuadamente.
- Evite los vasos demasiado llenos de hielo y el uso de vasos estrechos o demasiado altos. El hielo amontonado podría obstruir el orificio o hacer que se congele la puerta del orificio de manera que no se pueda abrir. Si hubiera hielo bloqueándolo, desprenda con una cuchara de madera.
- Las bebidas y los alimentos no se deberán enfriar rápidamente en el recipiente del hielo. Las latas, botellas o paquetes de comida en el recipiente de hielos podrían causar la obstrucción del dispositivo para hacer hielo o del recipiente.
- Para evitar que el hielo dispensado caiga fuera del vaso, ponga el vaso cerca, pero sin tocar, la apertura del dispensador.
- Un poco de hielo triturado puede surtir aunque había seleccionado Cubed (cubos). Esto sucede en ocasiones cuando algunos cubos se canalizan en el triturador.
- Después de usar hielo triturado, un poco de agua puede gotear del vertedero.
- A veces, se formará un pequeño montón de nieve en la salida del hielo situada en la puerta. Esto es normal y, por regla general, sucede cuando ha dispensado hielo picado repetidamente. La nieve se evaporará por sí misma.
- El agua del primer vaso servido puede estar más caliente que la de los siguientes vasos. Eso es normal.
- El agua del dispensador no es agua helada. Para obtener agua más fría, simplemente agregue hielo picado o cubitos de hielo antes de servirla.
- A fin de eliminar las gotas de la bandeja de goteo, incline el vidrio levemente cuando esté dispensando agua.

Máquina de hacer hielo automática

Puede llevar entre 12 y 24 horas que un refrigerador recién instalado comience a fabricar hielo.

Automático Para Hacer Hielo



El dispositivo para hacer hielo producirá siete cubos por ciclo—aproximadamente 15 ciclos en un período de 24 horas, dependiendo de la temperatura del congelador, de la temperatura ambiente, del número de veces que se abra la puerta y de otras condiciones del uso.

Si se utiliza el refrigerador antes de realizar la conexión del agua a la máquina de hielo, configure la máquina de hielo en OFF (Apagado) a través de las configuraciones del panel de control.

Una vez conectado el refrigerador al suministro de agua, configure la máquina de hielo en ON (Encendido) desde el panel de control.

En los modelos con dispensador, la máquina de hielo se podrá encender y apagar usando la opción de la máquina de hielo a través de las configuraciones del panel de control.

▲ PRECAUCIÓN

Para minimizar el riesgo de lesiones personales, evite el contacto con las partes móviles del mecanismo eyector o con el elemento de calefacción que libera los cubos. No coloque los dedos ni las manos en el mecanismo de la máquina de hielo automática mientras el refrigerador esté enchufado.

Hechos Importantes sobre su Máquina de Hielos

- Escuchará un zumbido cada vez que el dispositivo para hacer hielo se llene de agua.
- Deshaga las primeras cargas de cubos de hielo para permitir que la línea de agua se limpie.
- Asegúrese de que nada impide el movimiento del brazo detector.
- Cuando el cubo se llene hasta el nivel del interruptor de energía, la máquina de hielos dejará de producir hielo. Es normal que varios cubos queden juntos.
- Si el hielo no se usa con frecuencia, los cubos de hielo viejos se volverán turbios, con sabor rancio y su tamaño se reducirá.

NOTA: En hogares con un nivel de presión inferior al normal, es posible que escuche que la válvula de agua de la máquina de hielos realice múltiples ciclos para producir una cantidad de hielo. La máquina de hielos funciona mejor con una presión de entre 40 y 120 PSI (275-827 kPa).

Modo Sabático

La función Sabbath Mode (Modo Sabático) fue diseñada para el Día de Descanso Judío y Feriados. La función Sabbath Mode (Modo Sabático) hace posible para aquellos judíos que siguen esta celebración refrigerar y congelar comida durante todo el feriado.

La función Sabbath Mode (Modo Sabático) puede ser configurada para anular reacciones típicas sobre acciones de su refrigerador. Mientras se encuentre en Modo Sabático, su refrigerador continuará funcionando con normalidad. Sin embargo, el refrigerador no responderá a sus acciones.

Mientras se encuentre en Sabbath Mode (Modo Sabático), es posible que observe que el ventilador está funcionando cuando se abre la puerta; sin embargo, esto no es el resultado de sus acciones. El ventilador funcionará en horarios predeterminados. El calentador de descongelación continuará descongelando el refrigerador y el freezer y será activado a través de un temporizador. El calentador de descongelación no descongelará como resultado de abrir la puerta o de cualquier acción del consumidor.

MODO SABÁTICO —De forma simultánea, mantenga presionados los botones **Settings (Configuraciones)** (⚙️), **Water (Agua)** y **Light (Iuz)** durante tres segundos para ingresar o salir del modo Sabbath (Sabático). La pantalla exhibirá "SA" y el modo saldrá de forma automática del estado de esta función luego de 4 días y 96 horas calendario. El punto de configuración de temperatura será exhibido.

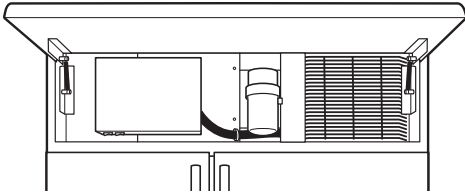
PANTALLAS, ALARMAS y LUCES – El control de temperatura principal, las alarmas de las puertas y las luces estarán desactivadas.

MÁQUINA DE HIELOS – Será necesario apagar la máquina de hielos.

Cartucho del filtro de agua (On some models.)

Cartucho del filtro de agua

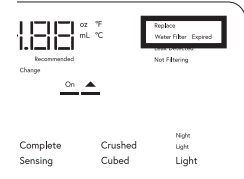
El cartucho del filtro de agua está ubicado detrás de la tapa superior, en la parte superior del refrigerador.



Cuándo se debe reemplazar el filtro en modelos con luz indicadora de reemplazo

Se cuenta con una luz indicadora de reemplazo del cartucho del filtro de agua en el dispensador. Cuando esta luz se vuelva anaranjada, significa que se deberá reemplazar el filtro de forma rápida.

Modelos dispensadores



Modelos sin dispensador



El cartucho del filtro deberá ser reemplazado cuando la luz indicadora de reemplazo se vuelva roja o si se reduce el flujo de agua hacia el dispensador o la máquina de hacer hielo.

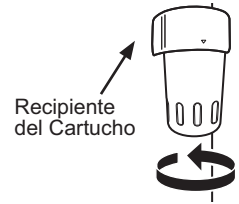
Retiro del cartucho del filtro

Si se reemplazará el cartucho, primero retire el anterior girando lentamente el mismo hacia la izquierda. No empuje el cartucho hacia abajo. Es posible que gotee una pequeña cantidad de agua.

NOTA: A fin de reducir el riesgo asociado con daños sobre la propiedad debido a una pérdida de agua, lea y siga las siguientes instrucciones antes de instalar y usar este sistema. La instalación y el uso DEBERÁN cumplir con todos los códigos de plomería estatales y locales.

Instale el cartucho del filtro

- 1 Llene el cartucho de reemplazo con agua del grifo para permitir un mejor flujo desde el dispensador inmediatamente después de la instalación.
- 2 Alinee la flecha del cartucho con el recipiente del cartucho. Coloque la parte superior del cartucho nuevo hacia arriba dentro del recipiente. No lo empuje dentro del recipiente.
- 3 De forma lenta, gire el mismo hacia la derecha hasta que el cartucho del filtro se detenga. **NO AJUSTE EN EXCESO.** A medida que gire el cartucho, éste se elevará de forma automática hasta su posición. El cartucho se dará aproximadamente 1/2 giro.
- 4 Deje correr 1-1/2 galones (5.7 litros) de agua del dispensador (unos tres minutos) a fin de despejar el sistema y evitar una salida irregular.
- 5 Para reiniciar el indicador del filtro de agua, mantenga presionado el botón RESET FILTER (Reiniciar Filtro) en los modelos sin dispensador. En los modelos con dispensador, navegue en el menú Settings (Configuraciones) hasta Ice Maker (Máquina de Hielo) y luego mantenga presionada la función WATER + ICE (Agua + Hielo) durante 3 segundos.



NOTA: Un cartucho del filtro de agua instalado en forma reciente puede hacer que chorree agua del dispensador.

Tapón del bypass del filtro

Deberá usar el tapón de bypass del filtro si:

- a) posee un sistema hogareño de agua por ósmosis inversa y/u otra forma de sistema hogareño de filtrado de agua.
- b) no cuenta con un filtro de reemplazo.

Para obtener un tapón del bypass gratis, visite cafeappliances.com. En Canadá visite cafeappliances.ca. El tapón del bypass se realiza del mismo modo que la instalación del cartucho del filtro.

La máquina de hielos no funcionará si el filtro o el tapón del bypass del filtro no están instalados.



⚠ ADVERTENCIA

A fin de reducir el riesgo asociado con asfixia, no permita que los niños menores de 3 años tengan acceso a las partes pequeñas durante la instalación de este producto. El cartucho del filtro descartable deberá ser reemplazado cada 6 meses luego de agotar su capacidad, o antes si se produce una reducción notoria en el caudal.

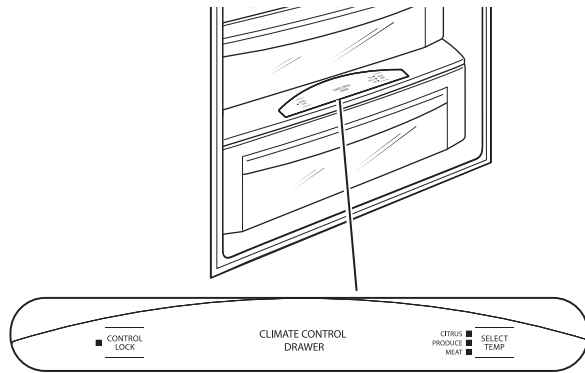
Para obtener el máximo beneficio de su sistema de filtrado, GE Appliances, a Haier company, recomienda el uso de los filtros de la marca GE Appliances únicamente. El uso de filtros de la marca GE Appliances en refrigeradores Café brinda un óptimo funcionamiento y confiabilidad. Los filtros nuestra cumplen con rigurosos estándares NSF de la industria sobre seguridad y calidad, que son importantes para los productos que están filtrando su agua. No garantizamos que los filtros de otras marcas que no sean de GE Appliances cumplan con nuestras normas de calidad, desempeño y confiabilidad.

Ante cualquier consulta, o para ordenar cartuchos de filtros adicionales, visite nuestro sitio Web en cafeappliances.com/service. Los clientes de Canadá deberán visite nuestro sitio Web en cafeappliances.ca o buscar el Centro de Servicio Técnico Camco en las páginas amarillas.

Cajón con control de clima

La función **Climate Control** (Control de Clima) es un sistema de reguladores, un ventilador, un termistor de temperatura, y un calefactor. El cajón con control de clima puede ser usado para guardar ítems en sus temperaturas óptimas.

El cajón está fuertemente sellado a fin de evitar que la temperatura del cajón ocasione fluctuaciones de temperatura en el resto del refrigerador.



SELECT TEMP (Selección de Temperatura) – Use esta función para guardar ítems en sus temperaturas óptimas. Vea el Cuadro de Control de Clima a continuación.

CONTROL LOCK (Bloqueo del Control) - Use esta función para bloquear los controles de temperatura.

NOTA: Cuando los controles del cajón de Control Clima son apagados, el cajón se mantendrá a temperaturas de entre 42 y 48°F (5.6-8.9°C).

Cuadro de Control de Clima

NOTA: Los resultados pueden variar dependiendo del embalaje, la temperatura inicial y otras características de la comida.

CITRUS ■
PRODUCE ■
MEAT ■

SELECT
TEMP

Configuración para Cítricos (39–47°F) (3.9-8.3°C)
Naranjas, Limones, Limas, Ananá, Melón
Habas, Pepinos, Tomates, Morriones, berenjenas, Calabacines
Configuración para Productos Cultivados (31–38°F) (-0.6 - 3.3°C)
Frutillas, Frambuesas, Kiwis, Peras, Cerezas, Moras, Uvas, Ciruelas, Nectarina, Manzanas
Espárragos, Brócoli, Maíz, Champiñones, Espinaca, Coliflor, Col Rizada, Cebollas de Verdeo, Remolachas, Cebollas
Configuración para la Carne (27–37°F) (-2.8 - 2.8°C)
Carne Cruda, Pescado y Ave

Bloqueo del Control

Mantenga presionada esta tecla durante 3 segundos para bloquear las configuraciones del cajón con control de clima. Para desbloquear, mantenga presionado durante otros 3 segundos.



Configuración del TurboCool™ del Refrigerador

Configuración de TurboCool™ (en algunos modelos)
Active TurboCool™ para recuperar rápidamente la temperatura del refrigerador luego de aperturas de puerta frecuentes.

TurboCool™ y TurboFreeze™ son configuraciones con acceso a aplicaciones únicamente, que se pueden controlar desde una tablet o teléfono inteligente utilizando la Aplicación SmartHQ.

Configuración de TurboFreeze™ para Refrigerador

Configuración de TurboFreeze™ (en algunos modelos)
Active TurboFreeze™ para restaurar rápidamente la temperatura del freezer luego de aperturas de puerta frecuentes.

TurboCool™ y TurboFreeze™ son configuraciones con acceso a aplicaciones únicamente, que se pueden controlar desde una tablet o teléfono inteligente utilizando la Aplicación SmartHQ.

Cajones de almacenamiento

Bandeja de Embutidos Sellada

Use la Bandeja de Embutidos Sellada para el conveniente almacenamiento de carnes y quesos para almuerzos, aperitivos, banquetes y refrigerios.

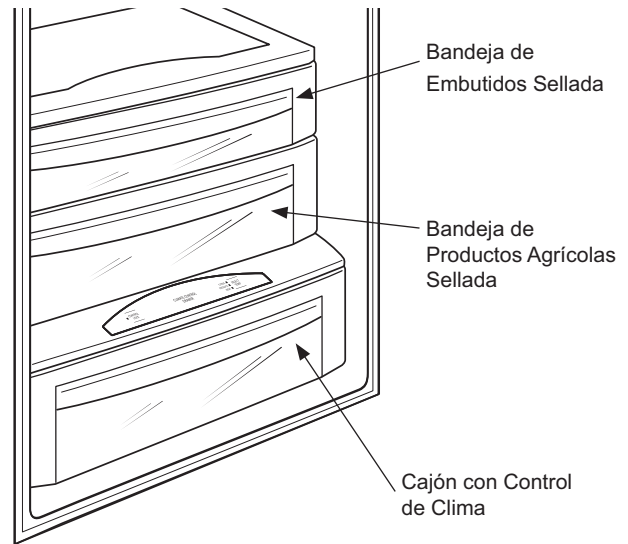
El exceso de agua que se puede acumular en la parte inferior de los cajones deberá ser vaciado y los cajones se deberán limpiar.

Bandeja de Productos Agrícolas Sellada

La bandeja superior fue diseñada para brindar altos niveles de humedad de forma constante.

Asegúrese de que los cajones estén completamente cerrados, a fin de mantener el nivel de humedad correcto.

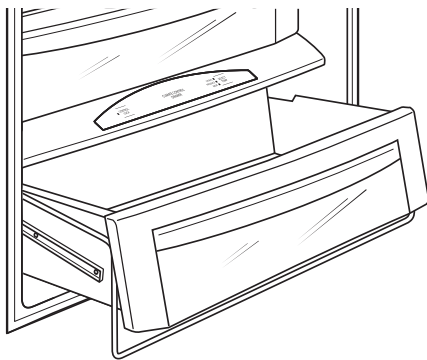
El exceso de agua que se puede acumular en la parte inferior de los cajones deberá ser vaciado y los cajones se deberán limpiar.



Retiro del Cajón/ Cacerola

A fin de retirar un cajón/ cacerola:

1. Empuje el cajón/ cacerola fuera de su posición final.
2. Levante el frente del cajón/ cacerola hacia arriba y afuera del suspensor de cables.
3. Levante la parte trasera del cajón/ cacerola hacia arriba y hacia afuera.



Para retirar un cajón/ cacerola:

1. Coloque la parte trasera del cajón/ cacerola en el suspensor de cables, asegurando que el suspensor de cables calce en las ranuras de la parte trasera del cajón/ cacerola.
2. Baje el frente del cajón/ cacerola sobre el suspensor de cables.
3. De manera firme, presione la parte superior del cajón/ cacerola para insertarla en el suspensor de cables.

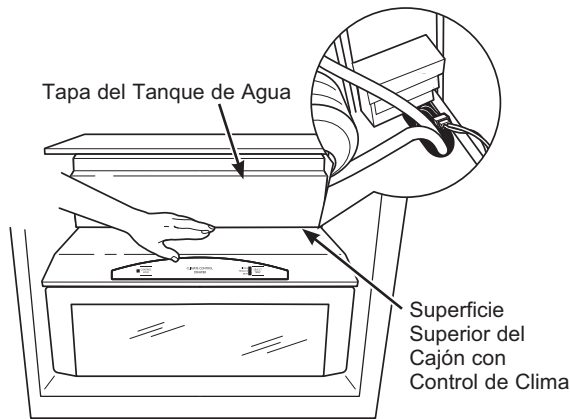
Repisas

Repisa del Cajón de Verduras con Luz

La repisa del cajón de verduras con luz brinda iluminación para los compartimientos inferiores. Las luces están ubicadas en el estante a fin de iluminar los cajones que se encuentran debajo.

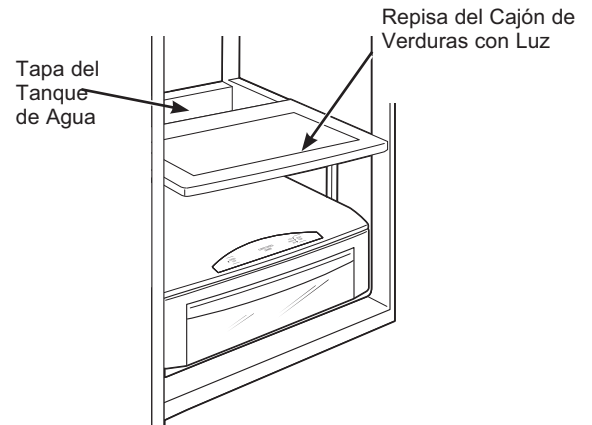
Para retirar la repisa:

1. Retire el cajón superior (consulte la sección de retiro del cajón/ cacerola).
2. Empuje suavemente hacia abajo sobre la parte central trasera de la superficie superior del cajón con control de clima a fin de liberar la parte inferior de la tapa del tanque de agua. Empuje hacia afuera y abajo para retirar la tapa del tanque de agua y exponer el arnés de los cables.
3. Levante el estante y con cuidado empuje hacia adelante para que estén visibles los cables.
4. Desenchufe el estante y con cuidado retire el mismo del refrigerador.



Para reemplazar la repisa:

1. Con cuidado instale la repisa en los rieles laterales, dejando el enchufe expuesto.
2. Enchufe el estante en el refrigerador.
3. Con cuidado deslice el estante en su ubicación.
4. Inserte la parte superior de la tapa del tanque de agua primero, de modo que suba detrás de la junta que cuelga de la repisa del cajón de verduras. De forma suave, presione la parte trasera de la tapa del tanque de agua hasta que la parte inferior se inserte en la parte superior de la tapa del Cajón con Control de Clima.
5. Reemplace el cajón (consulte la sección de retiro del cajón/ cacerola).

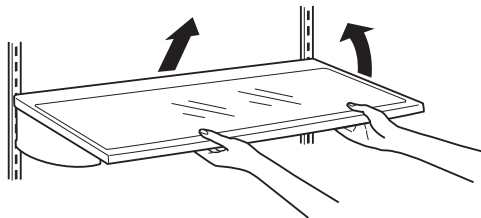


Para reordenar las repisas

Las repisas de vidrio templado del compartimiento de refrigerador y las repisas con cables del compartimiento del freezer son ajustables, permitiéndole hacer arreglos sobre la repisa que se ajusten a las necesidades de almacenamiento de comida de su familia.

Para retirar las repisas:

Incline la repisa hacia arriba desde el frente, luego levante la misma y retírela de los rieles sobre la pared trasera del refrigerador. No la mueva de un lado a otro para evitar posibles raspaduras sobre la pared.



Para reemplazar las repisas:

Seleccione la altura deseada para las repisas. Con el frente de la repisa elevado levemente, adhiera las agarraderas superiores a los rieles sobre la parte trasera del gabinete. Luego baje el frente de la repisa hasta que se inserte en su posición..

⚠ PRECAUCIÓN

Sostenga las repisas de vidrio con cuidado. Las repisas de vidrio y las tapas se pueden romper si son expuestas a impactos, tales como sacudones o caídas. El vidrio templado está diseñado para destruirse en pequeñas piezas en caso de rotura.

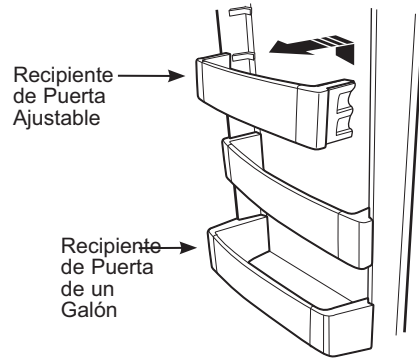
Recipientes y canastas

Recipientes de Puertas

Todos los recipientes de puertas, excepto el recipiente de puerta profundo de un galón, son ajustables usando una de las 2 lengüetas sobre cada extremo del recipiente. Se pueden mover hacia arriba y abajo hasta muchas posiciones, a fin de cubrir sus necesidades de almacenamiento. El recipiente de puerta profundo de un galón puede ser retirado para su limpieza.

Para retirar cualquier recipiente:

Levante el recipiente y deslice el mismo hacia usted.

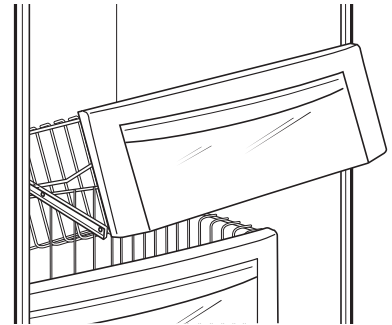


Canastas del freezer

Las canastas del freezer deslizadas por cables puede ser extraídas fácilmente para un fácil acceso a las comidas congeladas.

Para su retiro:

Empuje la canasta hacia afuera. Levante la parte frontal de la canasta hacia arriba y luego hacia afuera.



WiFi (para clientes en Estados Unidos, sus territorios, y Canadá)

WiFi Connect Activado*

Su refrigerador está Activado con WiFi Connect. Una tarjeta de comunicación WiFi está incorporada en el producto, permitiendo que se comunique con su teléfono inteligente para el monitoreo, control y notificaciones de forma remota. Por favor, visite cafeappliances.com/connect. para conocer más sobre las funciones del electrodoméstico conectado, y para saber qué aplicaciones de electrodomésticos conectados funcionarán con su teléfono inteligente.

Conectividad WiFi: Para solicitar asistencia para el electrodoméstico o la conectividad de red (para modelos que poseen WiFi), visite cafeappliances.com/connect.

INFORMACIÓN REGULATORIA

Declaración de Cumplimiento con FCC/IC:

Este dispositivo cumple con la Parte 15 de la Normativa de la FCC. Su funcionamiento está sujeto a las dos condiciones siguientes:

1. Este dispositivo no podrá causar interferencias perjudiciales.
2. Este dispositivo debe aceptar cualquier interferencia recibida, incluidas las interferencias que puedan provocar un funcionamiento no deseado.

Este equipo fue probado y cumple con los límites establecidos para un dispositivo digital de clase B, según la parte 15 de la Normativa de la FCC. Este producto fue probado y cumple con los límites establecidos para un dispositivo digital de Clase B, según la parte 15 de la Normativa de la FCC. Este equipo genera, usa y puede emitir energía de radiofrecuencia y, si no se instala y utiliza de acuerdo con las instrucciones, puede ocasionar interferencias perjudiciales sobre las comunicaciones radiales. Sin embargo, no se garantiza que no se presenten interferencias en una instalación en particular. Si el equipo provoca interferencias perjudiciales para la recepción de radio o televisión, lo que puede comprobar encendiendo y apagando el equipo, se aconseja al usuario que intente corregir la interferencia a través de una de las siguientes medidas:

- Reoriente o reubique la antena receptora.
- Aumente la separación entre el equipo y el receptor.
- Conecte el equipo a un tomacorriente de un circuito diferente al tomacorriente al cual se encuentra conectado el receptor.
- Para solicitar ayuda, consulte al proveedor minorista o a un técnico experimentado de radio/ TV.

Etiqueta: Las modificaciones sobre esta unidad no aprobadas expresamente por parte del fabricante podrían anular la autoridad del usuario para utilizar el equipo.

Sólo el módulo ConnectPlus (o un módulo de comunicación similar)

Exposición a RF – Sólo se autoriza el uso de este dispositivo a través de una aplicación móvil. Se deberá mantener en todo momento una distancia de separación mínima de 20 cm. entre el dispositivo **ConnectPlus** y el cuerpo del usuario.

*Modelos Selectos Únicamente **Para EE.UU., Territorios de EE.UU., y Canadá Únicamente

Cuidado y limpieza

Limpiieza de la Parte Exterior

Instrucciones para la Limpieza de Superficies Exteriores, Manijas de Puertas y Bordes

USE	NO USE
Telas suaves y limpias o esponjas	Telas abrasivas, esponjas de fregar (con o sin jabón), almohadillas de estropajo o de lana de acero
<p>Detergente suave mezclado con agua caliente</p> <p>Limpiadores de acero inoxidable aprobados. Visite la tienda de piezas de Café Appliances para acceder a limpiadores de acero inoxidable aprobados: cafeappliances.com/parts.</p> <p>Los limpiadores con ácido oxálico tales como Bar Keepers Friend Soft Cleanser™ podrán ser usados para eliminar el óxido, deslustres y pequeñas manchas de las superficies de acero inoxidable únicamente.</p>	<p>Polvos o rociadores abrasivos</p> <p>Rociadores de Ventana o Amoniaco</p> <p>Limpiadores a base de cítrico o aceite vegetal</p> <p>Limpiadores ácidos o a base de vinagre</p> <p>Limpiadores de horno</p> <p>Limpiadores que contengan acetona (propanona)</p> <p>Cualquier limpiador con ADVERTENCIAS sobre el contacto con el plástico</p>

NOTA: NO permita que el limpiador de acero inoxidable entre en contacto con cualquier parte plástica tal como partes de bordes, materiales de manijas y cobertores. Si se produce un contacto no intencional de los limpiadores con las partes plásticas, limpie estas últimas con una esponja y un detergente suave mezclado con agua caliente.

Limpiieza de la Parte Interior

Para evitar olores, deje abierta una caja de bicarbonato de sodio en los compartimientos del refrigerador y del freezer.

Desenchufe el refrigerador antes de limpiar.

Si esto no resulta práctico, estruje el exceso de humedad para eliminarlo de la esponja o tela al limpiar alrededor de los interruptores, luces o controles.

Use un pulidor de cera para electrodomésticos en la superficie interior entre las puertas.

Use agua caliente y solución de bicarbonato de sodio — aproximadamente una cuchara sopera (15 ml) de bicarbonato de sodio para un cuarto de galón (1 litro) de agua. Esto limpia y neutraliza los olores. Enjuague y seque.

⚠ PRECAUCIÓN

No limpie estantes de vidrio ni tapas con agua caliente cuando estén fríos. Los estantes de vidrio y las tapas se pueden romper si son expuestos a cambios de temperatura repentinos o impactos tales como sacudones o caídas. El vidrio templado está diseñado para destruirse en pequeñas piezas en caso de rotura.

No lave ninguna parte plástica del refrigerador en la lavadora de platos.

Detrás del Refrigerador

Tenga cuidado al alejar el refrigerador de la pared. Cualquier tipo de cobertura de piso puede ser dañada, particularmente las coberturas acolchonadas y aquellas con superficies con relieves.

Levante las patas niveladoras ubicadas en la parte frontal inferior del refrigerador.

Empuje el refrigerador hacia afuera de forma recta y regrese el mismo a su posición empujándolo hacia adentro. Mover el refrigerador hacia una ubicación lateral podrá ocasionar daños sobre la cobertura del piso o el refrigerador.

Baje las patas niveladoras hasta que toquen el piso.

Al volver a empujar el refrigerador, asegúrese de que no atraviese el cable de corriente ni la tubería de suministro de agua.

Preparación para las vacaciones

Configure la máquina de hielo en OFF (Apagado) desde el panel de control, y asegúrese de cerrar el suministro de agua al refrigerador.

Si estará de vacaciones o ausente por tiempo prolongado, retire la comida del refrigerador/ freezer. Configure la máquina de hielo en OFF (Apagado) desde el panel de control, y limpie el interior con una cuchara sopera (15 ml) de bicarbonato de sodio para un cuarto de galón (1 litro) de agua. Deje la puerta

abierta.

Si se trata de vacaciones cortas, retire los alimentos percederos y deje los controles en la configuración regular. Sin embargo, si se espera que la temperatura ambiente sea inferior a los 60°F (16°C), siga las mismas instrucciones que seguiría si se tratara de vacaciones prolongadas.

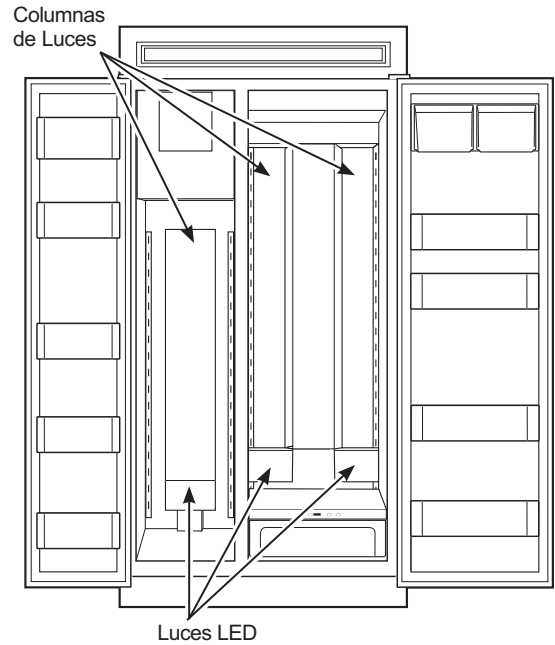
Cuidado y limpieza

Reemplazo de las Luces

Las columnas a lo largo de la pared trasera de los compartimientos de comida fresca y del freezer están iluminados por luces LED ubicadas detrás de la cacerola superior, en el compartimiento de refrigerador y en la canasta inferior en el compartimiento del freezer.

Será necesario que un técnico autorizado reemplace la luz LED.

Si este montaje debe reemplazarse, programe el servicio en línea en cafeappliances.com/service.



Instrucciones de Instalación

Refrigeradores

¿Preguntas? Visite nuestro sitio web en: cafeappliances.com

En Canadá, visite nuestro sitio web en: cafeappliances.ca

ANTES DE EMPEZAR

Lea estas instrucciones completa y cuidadosamente.

- **IMPORTANTE** — Guarde estas instrucciones para uso del inspector local.
- **IMPORTANTE** — Observe todos los códigos y órdenes de ley.
- **Nota al instalador** – Asegúrese de dejar estas instrucciones con el consumidor.
- **Nota al consumidor** – Conserve estas instrucciones para referencia futura.
- **Nivel de destreza** – La instalación de este aparato requiere de destrezas mecánicas básicas.
- **Tiempo de ejecución** – Instalación del refrigerador 15 minutos
- La instalación apropiada es la responsabilidad del instalador.
- La falla del producto debido a una instalación inadecuada no está cubierta por la garantía.

ADVERTENCIA Riesgo de Descarga Eléctrica


Enchufe en un tomacorriente con conexión a tierra de 3 cables.
No elimine el cable de conexión a tierra.
No use un adaptador.
Inmediatamente interrumpa el uso de un cable de suministro de corriente dañado. Si el cable de corriente se encuentra dañado, su reemplazo deberá ser realizado por un profesional calificado del servicio técnico, utilizando una pieza del servicio técnico autorizada por el fabricante.
No use un prolongador con este electrodoméstico. Si no se siguen estas instrucciones, se podrá producir la muerte, incendios o descargas eléctricas.
Siga las instrucciones que figuran en la sección de Conexión a tierra del refrigerador.
Este electrodoméstico deberá ser instalado por algún medio en el cableado fijo del hogar o en un disyuntor para desconectar el electrodoméstico del suministro eléctrico luego de la instalación.

ADVERTENCIA Riesgo de Incendio

o **Explosión.** Mantenga cualquier material y vapores inflamables, alejados del electrodoméstico. Si no se cumple con esto, se podrá producir una explosión, incendio o la muerte.

ADVERTENCIA Riesgo de Caídas

Estos electrodomésticos son inestables, especialmente cuando una puerta se encuentre abierta, y deben estar asegurados a fin de evitar caídas hacia adelante que podrían resultar en la muerte o en lesiones graves. Lea y siga las instrucciones de instalación en su totalidad para asegurar el electrodoméstico con el sistema anti volcaduras.

 **ADVERTENCIA** A fin de reducir el riesgo asociado con descargas, no permita que los niños menores de 3 años de edad tengan acceso a las partes pequeñas durante la instalación de este producto.

PRECAUCIÓN Riesgo al levantar la puerta

Esta unidad es muy pesada. A fin de reducir el riesgo de lesión de una persona al maniobrar e instalar este electrodoméstico, se requiere contar con 3 personas para una correcta instalación.

 **PRECAUCIÓN** Mantenga los dedos fuera de los espacios de “riesgo de lastimaduras”; los espacios entre las puertas y entre las puertas y el gabinete son necesariamente pequeños. Tenga la precaución de cerrar las puertas cuando los niños se encuentren en el área.

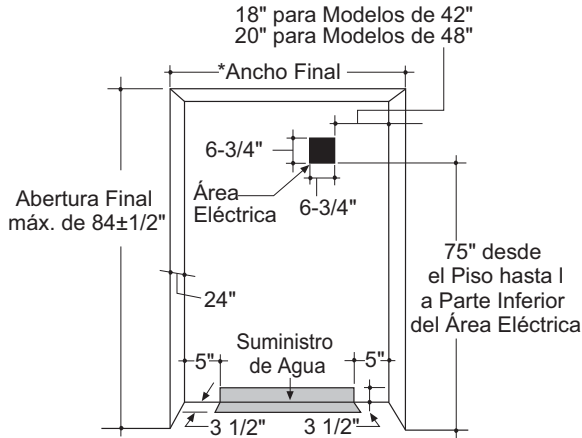
UBICACIÓN DEL REFRIGERADOR

- No instale el refrigerador donde las temperaturas sean inferiores a 60°F (16°C), ya que no se mantendrá en funcionamiento el tiempo suficiente para conservar las temperaturas adecuadas.
- No instale el refrigerador donde la temperatura sea superior a los 100°F (37°C), ya que no funcionará de forma correcta.
- No instale el refrigerador en una ubicación expuesta al agua (lluvia, etc.) o en contacto directo con la luz solar.
- Instale el refrigerador en un piso lo suficientemente fuerte como para soportarlo completamente cargado.

Para una instalación correcta, el refrigerador/ freezer deberá ser ubicado en una superficie nivelada de material duro que posea la misma altura en el resto del piso. Esta superficie deberá ser lo suficientemente fuerte como para resistir el peso de un refrigerador totalmente cargado o aproximadamente 1500 lb (680,39 kg) cada uno.

Instrucciones de instalación

EL ESPACIO DE INSTALACIÓN



*El ancho del espacio final debe ser de:
41-1/2" (105.41 cm) para modelos de 42"
47-1/2" (120.65 cm) para modelos de 48"

Ubicaciones de Agua y Electricidad

La abertura debe estar preparada con los suministros de electricidad y agua fría ubicados como se muestra.

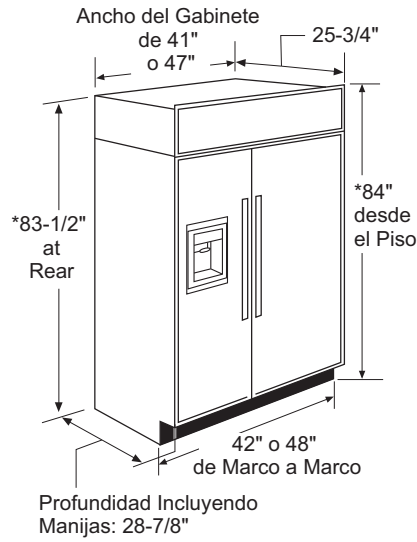
La Profundidad del Espacio Debe Ser de 24" (60.96 cm)

El refrigerador se proyectará hacia delante, levemente más allá del gabinete adyacente para una instalación estándar.

Especificaciones Adicionales

- Se requiere un suministro de corriente de 115 voltios, 60Hz., y 15 o 20 amperes. Se recomienda el uso de un circuito de empalmes individual o un disyuntor correctamente conectado a tierra. Instale un receptáculo eléctrico de 3 patas correctamente conectado a tierra, y empotrado en la pared trasera. El dispositivo eléctrico deberá estar ubicado en la pared trasera como se muestra.
- El suministro de agua puede ingresar a la abertura a través del piso o la pared trasera. La tubería de agua debe ser de 1/4" de diám. ext., de cobre o del kit SmartConnect™ entre la tubería de agua fría y la ubicación de la conexión del agua, siendo lo suficientemente larga como para extenderse hasta el frente del refrigerador. Se requiere la instalación de una válvula de cierre de fácil acceso en la tubería de agua.

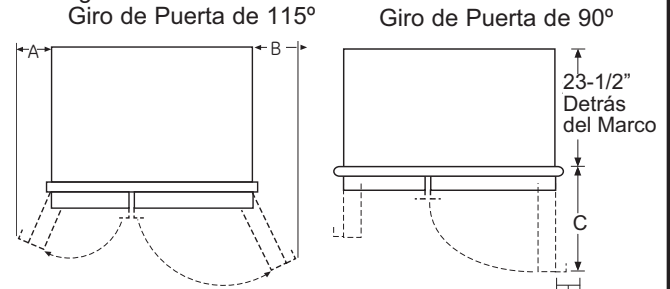
DIMENSIONES Y ESPACIOS



* Altura para transporte. El refrigerador puede ser ajustado para entrar en un espacio de 84-1/2" (214.63 cm) de altura. Use patas niveladoras y ruedas para un ajuste de altura máxima de 1" (2.54 cm)

Espacios Libres del Producto

Estos refrigeradores están equipados con un dispositivo de detención de la puerta de 3 posiciones. El giro de la puerta de 115° original de fábrica se podrá ajustar a 90° si el espacio libre hasta los gabinetes adyacentes o paredes es restringido.



Modelos	A	B	C
42"	11-1/4" (28.58cm)	17-5/8" (44.77cm)	26-9/16" (67.47cm)
48"	13-13/16" (33.5cm)	18-15/16" (48.10cm)	28-5/8" (72.71cm)

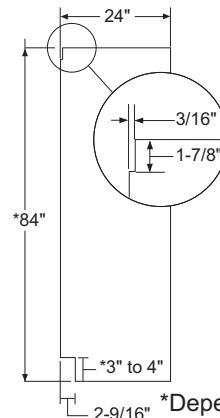
*Distancia Mín. a la Pared

Con los modelos con marco y de acero inoxidable, para un giro de puerta de 90°, deje un espacio libre mínimo de 4-5/8" (11.75 cm) hasta la pared. Si la posición de detención de la puerta a 90° es usada, el acceso a la cacerola se mantendrá, pero el retiro de la misma será restringido.

PANELES LATERALES

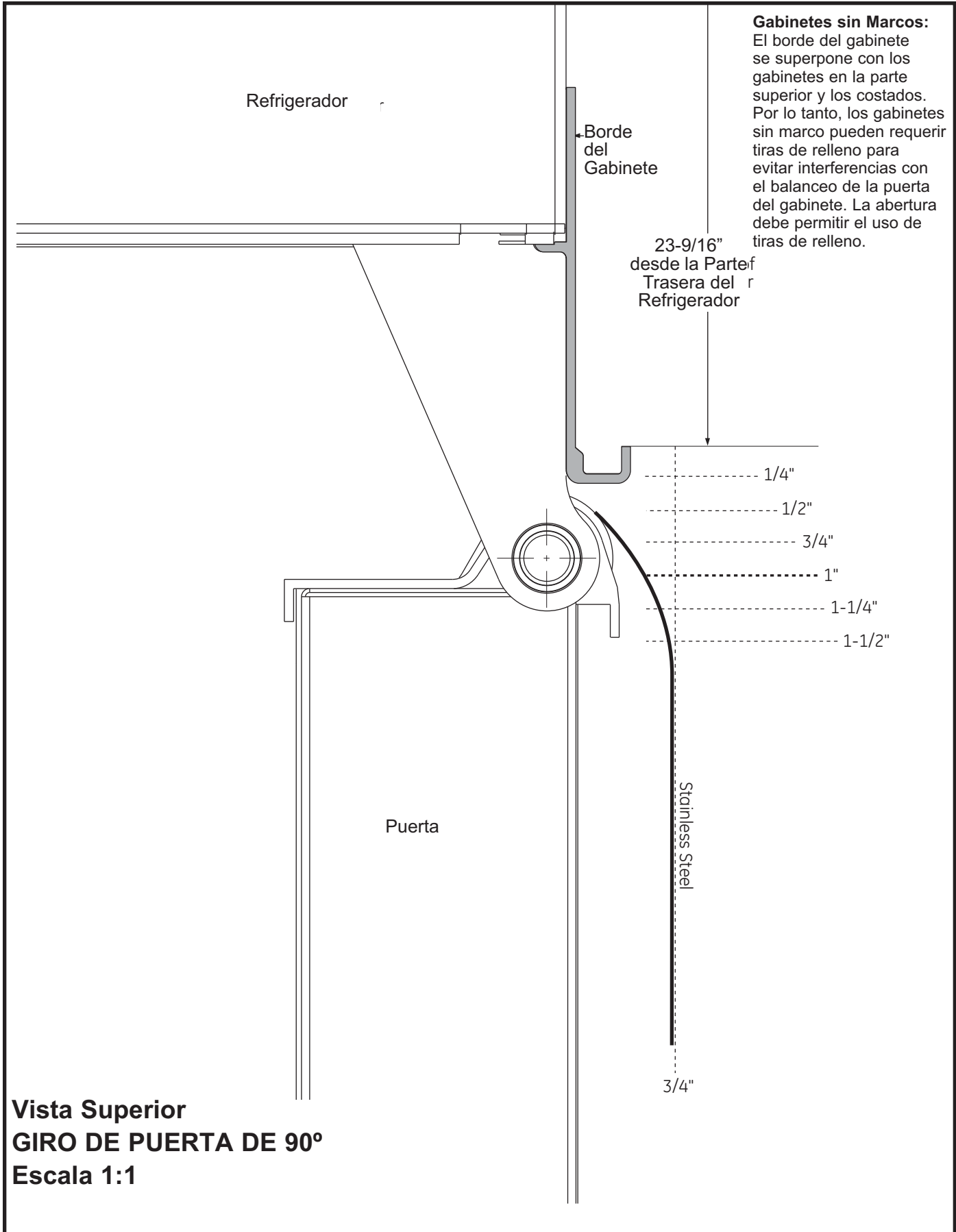
Los paneles laterales deben ser usados siempre que los costados del refrigerador estén expuestos. Los paneles laterales de 1/4" (0.63 cm) se deslizarán hasta el borde lateral del gabinete. Asegure los paneles al refrigerador con un gancho adhesivo y tiras de ajuste con vueltas. Solicite los paneles laterales al fabricante del gabinete.

- Haga una marca en la esquina frontal superior como se muestra, a fin de dejar espacio para colocar esquineros metálicos en el borde del lado frontal.



*Dependiendo de la altura de la instalación.

Instrucciones de instalación



Instrucciones de instalación

HERRAMIENTAS Y MATERIALES NECESARIOS

- Tijeras para hojalata para cortar bandas
- Escalera de dos hojas
- Extensión de un trozo de 1"
- Cinta de medición
- Guantes
- Tornillos para pared de yeso de 1/4"
- Balde con tapa de 5 galones
- Nivel de 6"
- Carro manual para electrodomésticos
- Cortador de tubos
- Llave de tuercas de 7/16"
- Destornillador Phillips nº2
- Taladro y brocas correspondientes
- Ficha de 5/16", 7/16"
- Gafas de seguridad
- Llave de tuercas de 1-18"
- Pinzas
- Combo de Llaves de 1/4", 5/16"
- 35" de long. 2x4 para soporte antivolcaduras
- Kits de Tuberías para Refrigeradores con tubería de suministro de agua de cobre o de SmartConnect™ de 1/4".
- Válvula de cierre de agua
- Paneles a medida para puertas y el panel de la rejilla
- Tornillos para asegurar el refrigerador a los muebles
- Gancho adhesivo y tiras de ajuste con vueltas para paneles laterales de 1/4".

MATERIALES SUMINISTRADOS

- Tapón del bypass del filtro de agua
- Zócalo
- Tuerca de 1/4" y abrazadera de refuerzo

PISO

Para una instalación correcta, el refrigerador se deberá ubicar en una superficie nivelada de material duro que posea la misma altura en el resto del piso. Esta superficie deberá ser lo suficientemente fuerte como para resistir el peso de un refrigerador totalmente cargado o aproximadamente 1500 lbs. (680.39 kg).

NOTA: Proteja el acabado del piso. Corte una sección amplia de cartón y coloque la misma debajo del refrigerador donde se encuentra trabajando.

CONEXIÓN A TIERRA DEL REFRIGERADOR

⚠ ADVERTENCIA  Riesgo de

Descarga Eléctrica.

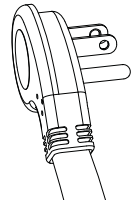
Si no se siguen estas instrucciones se podrá producir la muerte, incendios o descargas eléctricas. El cable de corriente de este electrodoméstico cuenta con un enchufe de 3 cables (conexión a tierra) que se conecta a un tomacorriente de pared estándar de 3 cables (conexión a tierra) para minimizar el riesgo de posibles descargas eléctricas por parte del mismo.

Contrate a un electricista calificado para que controle el tomacorriente y el circuito eléctrico, a fin de asegurar que el enchufe esté correctamente conectado a tierra.

En caso de contar con un tomacorriente de pared de 2 cables, es su responsabilidad y obligación reemplazarlo por un tomacorriente de pared de 3 cables correctamente conectado a tierra.

NUNCA, BAJO NINGUNA CIRCUNSTANCIA, CORTE NI ELIMINE EL TERCER CABLE (TIERRA) DEL CABLE DE CORRIENTE. NO USE UN ENCHUFE ADAPTADOR PARA CONECTAR EL REFRIGERADOR A UN TOMACORRIENTE DE 2 PATAS.

NO USE UN PROLONGADOR CON ESTE ELECTRODOMÉSTICO.



UBICACIÓN DEL REFRIGERADOR

- No instale el refrigerador en lugares donde la temperatura sea inferior a los 55°F (13°C). Éste no funcionará con la frecuencia suficiente como para mantener las temperaturas apropiadas.
- No instale el refrigerador en lugares donde la temperatura sea superior a los 100°F (37°C). Éste no funcionará correctamente.
- No instale el refrigerador en una ubicación expuesta al agua (lluvia, etc.) o en contacto directo con la luz solar.
- Instale el mismo en un piso lo suficientemente fuerte como para soportarlo completamente cargado.

Instrucciones de instalación

PASO 1 RETIRE EL EMBALAJE

⚠ ADVERTENCIA



Riesgo de

Caídas.

El refrigerador es mucho más pesado en la parte superior que en la parte inferior – tenga cuidado al moverlo. Al usar un carro manual, sostenga el mismo del lateral únicamente.

- Con cuidado corte la banda en la parte superior e inferior, y retire el cartón externo.
- Deslice hacia afuera los postes esquineros traseros (2).
- Retire el cartón de la parte superior del gabinete.

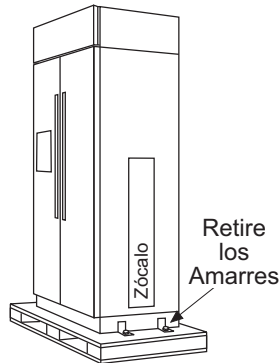
NOTA: ¡NO ES NECESARIO REPOSTAR EL GABINETE PARA RETIRAR EL PATÍN!

- La unidad está asegurada al patín con 4 cintas de amarre ranuradas. Retire los seis tornillos de 7/16" de los canales de la base en los amarres.
- Retire los seis tornillos de 7/16" que aseguran las correas al patín.

NOTA: NO INTENTE HACER RODAR LA UNIDAD FUERA DEL PATÍN.

- Los bloques de soporte en la parte inferior de la caja de refrigeración deben ser retirados antes de que el refrigerador sea retirado del patín, o se podrán producir daños. Con cuidado, incline el refrigerador y retire los bloques que están debajo deslizando los mismos.

- Retire el zócalo y deje el mismo a un costado para la instalación final.
- Retire la unidad del patín con un carro para electrodomésticos. Tome el mismo de los costados.



PASO 2 TRANSLADE EL REFRIGERADOR DENTRO DE LA CASA

- Vuelva a usar los postes esquineros del embalaje para proteger los modelos de acero inoxidable. Coloque los amarres del carro para electrodomésticos sobre los postes y debajo de las manijas.
- Deje la película protectora sobre el refrigerador hasta que la instalación sea completada. **IMPORTANTE:** Nunca levante el refrigerador desde la manija ni empuje contra el panel de la rejilla; esto podría ocasionar daños o desalineaciones.
- Evite apoyar la unidad sobre su parte trasera o lateral, a fin de evitar restricciones por sistema sellado.

PASO 3 INSTALE EL SUMINISTRO DE AGUA

⚠ ADVERTENCIA

Realice la conexión a un suministro de agua potable únicamente. Se requiere un suministro de agua fría para el funcionamiento de la máquina de helos automática y de la jarra de llenado automático. La presión del agua deberá estar entre 40 y 120 p.s.i. (275 – 827 kPa).

⚠ ADVERTENCIA



PELIGRO DE DESCARGA ELÉCTRICA

Adhiera la abrazadera de la tubería usando el agujero existente únicamente. NO perforo el refrigerador.

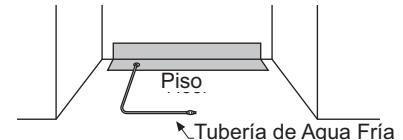
- Se requiere un suministro de agua fría para el funcionamiento de la máquina de hielo automática. La presión del agua deberá estar entre 40 y 120 p.s.i.

- Haga circular una tubería de cobre de 1/4" de diám. ext. o una tubería de plástico SmartConnect™ entre el suministro de agua fría de la casa y la ubicación de la conexión de agua.

- La tubería deberá ser de una extensión suficiente como para llegar hasta el frente del refrigerador.

Deje una cantidad

de tubería suficiente como para hacer una inclinación que llegue hasta la conexión del suministro de agua connection.



NOTA: La única tubería aprobada por Café es suministrada en los Kits de Tuberías para Refrigerador de SmartConnect™. No use ningún otro suministro de agua plástico, ya que el suministro se encuentra bajo presión en todo momento. Otros tipos de plásticos podrán sufrir fisuras o rompeduras con el paso del tiempo y ocasionar problemas con el agua en su hogar.

Los Kits de Tuberías para Refrigerador de SmartConnect™ están disponibles en las siguientes longitudes:

2' (.6 m) WX08X10002

8' (2.4 m) WX08X10006

15' (4.6 m) WX08X10015

25' (7.6 m) WX08X10025

Cierre el suministro de agua principal.

Abra el grifo más cercano que sea lo suficientemente largo para despejar la tubería de agua.

- Instale una válvula de cierre entre la válvula de agua de la máquina de helos y la tubería de agua fría en un sótano o gabinete. La válvula de cierre debe estar ubicada donde sea de fácil acceso.

- Abra el suministro principal de agua para eliminar los desechos. Deje correr aproximadamente un cuarto de galón de agua por la tubería hasta un balde. Cierre el suministro de agua a través de la válvula de cierre.

NOTA: Las válvulas de cierre tipo montura están incluidas en muchos kits de suministro de agua. Antes de su adquisición, asegúrese de que la válvula tipo montura cumpla con los códigos de plomería locales.

NOTA: Se deberá cumplir con los Códigos de Plomería del Commonwealth de Massachusetts 248CMR. Las válvulas tipo montura son ilegales y su uso está prohibido en Massachusetts. Consulte a un plomero matriculado.

Instrucciones de instalación

PASO 4 INSTALACIÓN DE LA TUBERÍA DE AGUA CON SISTEMA DE ÓSMOSIS INVERSA U OTRO SISTEMA DE FILTRACIÓN HOGAREÑO

Saltee este paso si no usará un sistema RO u otro sistema de filtración hogareño.

Si el suministro de agua al refrigerador es desde un sistema de filtración hogareño, utilice el tapón del bypass del filtro del refrigerador. El uso del cartucho de filtración de agua del refrigerador junto con el filtro RO podrá producir cubos de hielo huecos.



Gire en Dirección Antihoraria para Retirar



Tapón de Bypass del Filtro

PASO 5 INSTALE LOS PANELES LATERALES

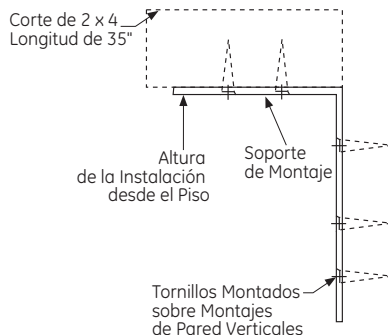
Saltee este paso cuando no se usen paneles laterales. Si usará paneles laterales de 1/4" (0.63 cm), deberán ser insertados en el borde del gabinete. Ajuste los paneles al refrigerador con un gancho adhesivo y tiras de ajuste con vueltas antes de colocar el refrigerador en su posición.

PASO 6 PROCEDIMIENTO ANTIVOLCADURAS

⚠️ ADVERTENCIA Riesgo de Caídas

Estos refrigeradores son inestables, especialmente con puertas abiertas, y deben ser asegurados para evitar inclinaciones hacia delante que pueden provocar la muerte o lesiones graves. Lea y siga todas las instrucciones de instalación para asegurar el refrigerador con el sistema antivolcaduras.

- Recorte un bloque de 2" x 4", de 35" (88.9 cm) de longitud y asegure el bloque a los soportes de montaje provistos usando tornillos de madera n°12 o n°14.

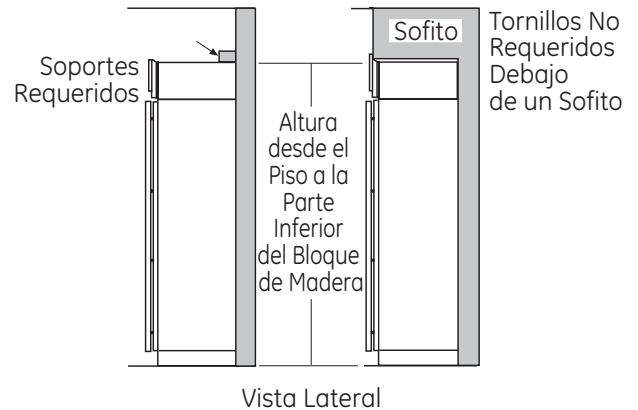


- Asegure el soporte con un bloque de madera a la pared trasera, de modo que quede a 84" (213.36 cm) desde el piso terminado. Use tornillos de madera n°12 o n°14. Vea la ilustración.

PASO 6 PROCEDIMIENTO ANTIVOLCADURAS (Cont.)

- Los tornillos deben penetrar por lo menos una pulgada en los montajes de pared verticales.
- Si se trabajará con montajes de pared metálicos, use tornillos para chapa metálica autorroscantes en lugar de tornillos de madera.

IMPORTANTE: Cuando el refrigerador es instalado debajo de un soffito o si no hay suficiente altura para este método de seguridad, no se podrán usar soportes. Proceda al paso 7 para nivelar el refrigerador y luego al paso 8 para asegurar el refrigerador a los gabinetes. El refrigerador debe quedar asegurado para evitar volcaduras.



Conecte el cable de corriente:

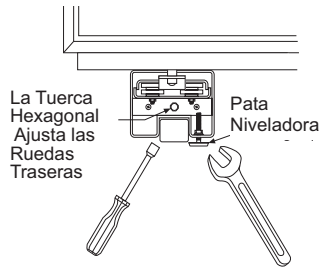
- Antes de insertar el refrigerador en la abertura, enchufe el cable de corriente en el receptáculo. Será necesario retirar el protector del filtro de agua para tener acceso (en algunos modelos). Retire los 3 tornillos sosteniendo el mismo en su posición. Si el acceso aún se encuentra demasiado ajustado, retire los 2 tornillos que sostienen el soporte del filtro de agua y mueva éste hacia un lado. Abra el panel con la rejilla y alcance la abertura en la parte trasera para tomar el cable de corriente. Retire el cable de corriente de la abertura a medida que empuja el refrigerador hacia atrás. Asegure el soporte y el protector con los tornillos originales.
- De forma suave empuje el refrigerador sobre la abertura con las manos contra las esquinas frontales.

Instrucciones de instalación

PASO 7 NIVELE EL REFRIGERADOR

Todos los modelos cuentan con 4 puntos de nivelación. La parte frontal está apoyada sobre patas niveladoras; la parte trasera está apoyada sobre ruedas ajustables. Es posible acceder a ambas desde la parte frontal del refrigerador.

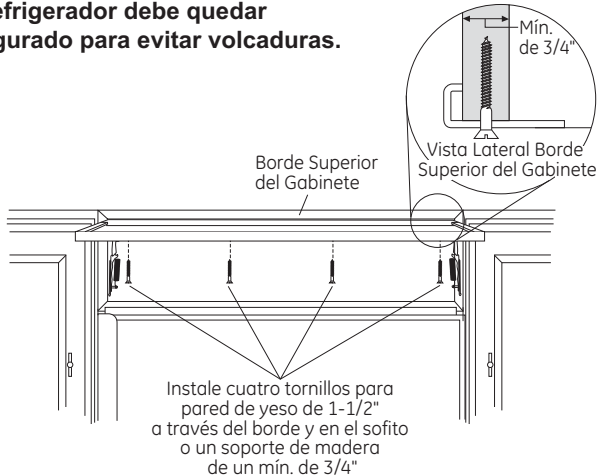
- A fin de nivelar la parte trasera del refrigerador, gire la tuerca hexagonal de 7/16" que se encuentra ubicada sobre las ruedas frontales. Gire a favor de las agujas del reloj para levantar o en contra de las agujas del reloj para bajar el refrigerador.
- Para nivelar la parte frontal, use una llave de tuercas de 1-1/4".
- Ajuste la altura del refrigerador para que coincida con la abertura de la instalación de 84-1/2" (214.63 cm). El refrigerador deberá estar nivelado y correctamente instalado entre los muebles de la cocina.



AVISO: Las ruedas niveladoras traseras y las patas niveladoras frontales cuentan con un límite de ajuste de altura máxima de 1" (2.54 cm). Si en la instalación se requiere una altura superior a 84-1/2" (214.63 cm), el instalador deberá elevar el refrigerador sobre una lámina de contrachapado o tirantes. También se podrá agregar un ajuste a los gabinetes sobre la parte superior de la abertura, a fin de acortar esta última. **Si intenta elevar el refrigerador más de 1" (2.54 cm), dañará las patas niveladoras frontales y las ruedas niveladoras traseras. Haga ajustes con incrementos pequeños.**

PASO 8 PROCEDIMIENTO ANTIVOLCADURAS ALTERNATIVO

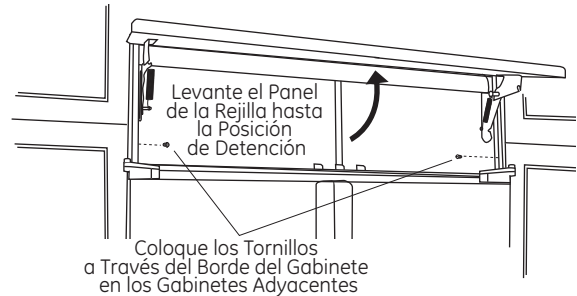
El refrigerador debe quedar asegurado para evitar volcaduras.



- Levante el panel de la rejilla para acceder al borde del gabinete.
- Use una broca de 3/16" para hacer cuatro agujeros a una misma distancia a través del borde del gabinete superior metálico.
- Use una broca de 1/16" para hacer agujeros piloto a través de los agujeros de despeje sobre el metal y en el sofito de madera. Los agujeros deben estar centrados en el sofito o

PASO 8 PROCEDIMIENTO ANTIVOLCADURAS ALTERNATIVO (Cont.)

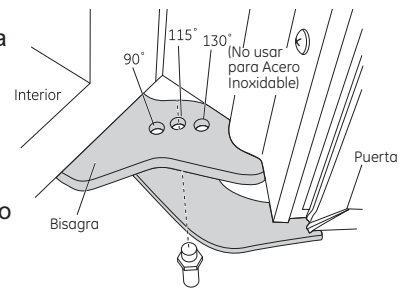
- en un soporte de madera de un mínimo de 3/4" (1.91 cm). El soporte que abarca el espacio debe estar ajustado de forma segura a los gabinetes sobre ambos lados.
- Instale cuatro tornillos para pared de yeso de 1-1/2" en los agujeros piloto.
- Coloque los tornillos en los gabinetes adyacentes a través del borde del gabinete lateral.



PASO 9 AJUSTE EL BALANCEO DE LA PUERTA

NOTA: El refrigerador cuenta con una detención de la puerta de 2 posiciones. Cuando el espacio no permita que la puerta se abra completamente a 115°, podrá modificar el giro de la puerta a 90°. La opción de giro de puerta hasta 130° no se podrá usar en los modelos SxS de 42" y 48". Si la apertura de la puerta es satisfactoria en relación a su instalación específica, saltee este paso.

- Abra la puerta para visualizar la bisagra inferior. Observe las ubicaciones del perno de bloqueo de la puerta. El perno fue instalado de forma satisfactoria en la posición de 115°.
- Cierre la puerta. Desde abajo, use pinzas para destornillar el bloqueo de la puerta y reinstalar la posición de 90°.



⚠ ADVERTENCIA



Riesgo de Lastimaduras con el Borde de la Puerta

Una instalación inadecuada puede crear el riesgo de lastimadura de un dedo entre el borde lateral de la puerta y los gabinetes al usar la puerta, especialmente para los niños. A fin de minimizar este riesgo, deberá seguir las instrucciones de instalación acordes a las dimensiones del gabinete, ensamble de los bordes, y ángulo de bloqueo de la puerta.

Instrucciones de instalación

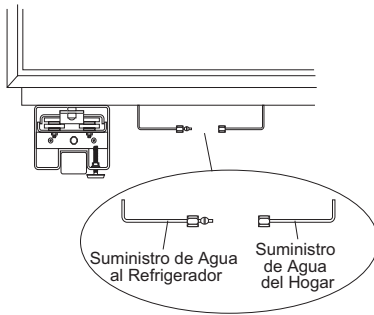
PASO 10 CONEXIÓN AL SUMINISTRO DE AGUA

⚠ ADVERTENCIA Realice la conexión a un suministro de agua potable únicamente. Se requiere un suministro de agua fría para el funcionamiento de la máquina de hielos automática y de la jarra de llenado automático. La presión del agua deberá estar entre 40 y 120 p.s.i. (275 – 827 kPa).

⚠ ADVERTENCIA PELIGRO DE DESCARGA ELÉCTRICA

Adhiera la abrazadera de la tubería usando el agujero existente únicamente. NO perforo el refrigerador.

- Encuentre y traiga la tubería al frente del gabinete.
- Abra y deje correr el agua a fin de eliminar desechos de la tubería. Deje correr alrededor de un cuarto de galón de agua por la tubería a un balde; luego cierre el suministro de agua.



Tubería de Cobre:

- Coloque una tuerca de 1/4" y una abrazadera de refuerzo (provista) sobre ambos extremos de la tubería de cobre. Inserte la tubería en la unión con la unidad y ajuste la tuerca a la unión.
- Abra el suministro de agua para controlar que no haya pérdidas.

Tubería de SmartConnect™:

NOTA: La única tubería plástica aprobada por Café es suministrada en los Kits de Tuberías para Refrigerador de SmartConnect™. No use ningún otro suministro de agua plástico, ya que el suministro se encuentra bajo presión en todo momento. Otros tipos de plásticos podrán sufrir fisuras o rompedoras con el paso del tiempo y ocasionar problemas con el agua en su hogar.

Los Kits de Tuberías para Refrigerador de SmartConnect™ están disponibles en las siguientes longitudes:

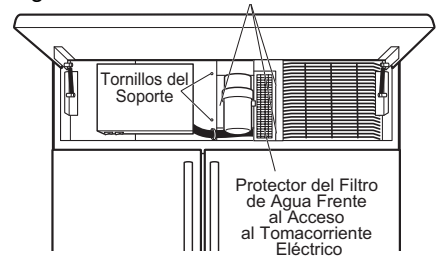
- 2' (.6 m) WX08X10002
- 8' (2.4 m) WX08X10006
- 15' (4.6 m) WX08X10015
- 25' (7.6 m) WX08X10025

- Inserte el extremo moldeado de la tubería en la conexión del refrigerador. Ajuste la tuerca de compresión hasta alcanzar la presión manual.
- Realice un ajuste adicional con un giro de llave. ¡Un ajuste excesivo podrá ocasionar pérdidas!
- Abra el suministro de agua para controlar que no haya pérdidas.
- Haga funcionar el dispensador, si está disponible, durante 2 minutos o 1 galón de agua. Es normal que el dispensador produzca chorros durante las primeras pocas tazas.

NOTA: Asegúrese de que un exceso de la longitud de la tubería no interfiera con la instalación del zócalo.

PASO 11 CONECTE LA CORRIENTE, CIERRE EL PANEL DE LA REJILLA

- Abra el panel de la rejilla.
- Enchufe el cable de corriente (si es necesario) alcanzando la abertura junto al filtro de agua. Será necesario retirar el protector del filtro de agua para tener acceso (en algunos modelos). Retire los 3 tornillos sosteniendo el mismo en su posición. Si el acceso aún se encuentra demasiado ajustado, retire los 2 tornillos que sostienen el soporte del filtro de agua y mueva éste hacia un lado. Enchufe el cable de corriente. Asegure el soporte y el protector con los tornillos originales.

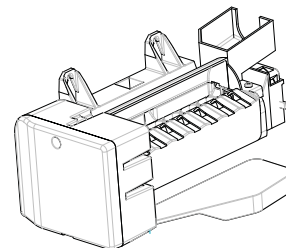


- Asegúrese de que la corriente al refrigerador está encendida, abriendo la puerta del refrigerador para ver si las luces internas están encendidas.
- Los controles de temperatura están preconfigurados en 37°F (3° C) para la sección de comida fresca y en 0°F (-18° C) para el freezer.
- Permita que se establezca durante 24 horas antes de realizar ajustes.

PASO 12 ENCIENDA LA MÁQUINA DE HIELOS

⚠ PRECAUCIÓN

Para minimizar el riesgo de lesiones personales, evite el contacto con las partes móviles del mecanismo eyector o con el elemento de calefacción que libera los cubos. No coloque los dedos ni las manos en el mecanismo de la máquina de hielo automática mientras el refrigerador esté enchufado.

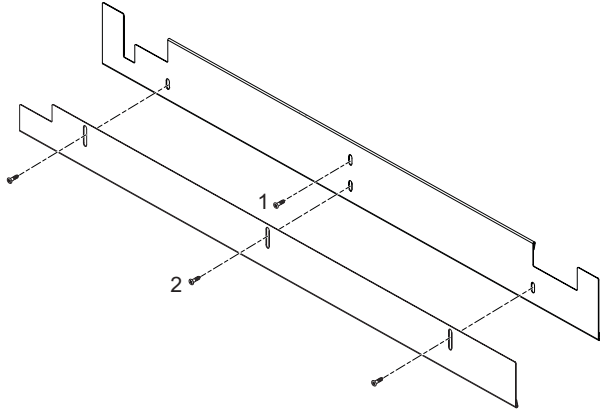


- Configure la máquina de hielo en ON (Encendido) desde el panel de control.
- Deslice el interruptor a ON (Encender). La máquina de hielos comenzará a funcionar de forma automática.
- Asegúrese de que nada interfiera con la extensión del interruptor de energía.
- Descarte el primer balde lleno de cubos de hielo.
- Use el panel de control para configurar la máquina de hielo en OFF (Apagado).

Instrucciones de instalación

PASO 13 INSTALE LOS ZÓCALOS

- Ubique los zócalos provistos (enviados con adhesivo en el costado del refrigerador).
- Adhiera el zócalo MÁS GRANDE al refrigerador usando SÓLO el agujero central superior (1).
- Adhiera la tapa del zócalo al refrigerador usando las tres ranuras inferiores (2).

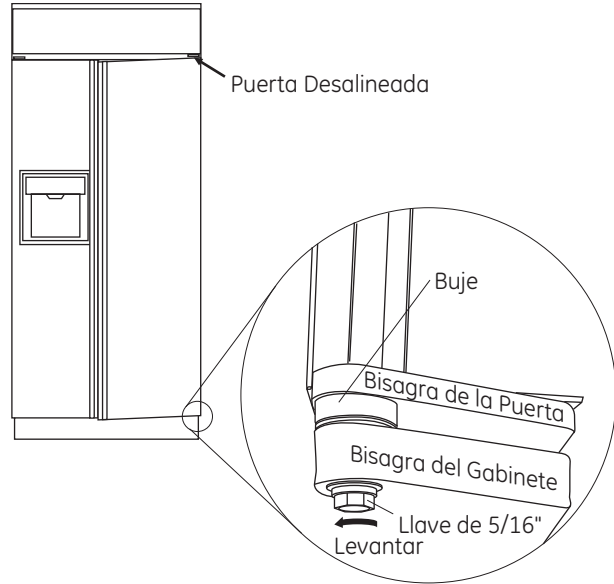


- Se puede instalar un zócalo hecho a medida que coincida con o se complemente con los muebles que estén alrededor. Use el zócalo provisto como plantilla para la forma del corte.

INSPECCIONE LA INSTALACIÓN FINAL

Controle la alineación de la puerta. Párese alejándose del refrigerador a fin de inspeccionar la instalación final.

- Controle y asegúrese de que las manijas estén alineadas de forma pareja una con otra en la parte superior. Para hacer ajustes, afloje los tornillos de las manijas y deslice hacia arriba o abajo. Ajuste los tornillos.
- El envío o la adición de paneles pesados para la puerta pueden hacer que las puertas se muevan y se desalíen levemente.



- De ser necesario, la puerta de refrigerador puede ser ajustada hacia arriba o hacia abajo para que quede alineada con la puerta del freezer.
- Use una llave de 5/16" para justar el perno de la bisagra como se muestra.

Sonidos normales de operación

Los refrigeradores más nuevos producen sonidos diferentes a los modelos más antiguos. Los refrigeradores modernos tienen más funciones y usan tecnología más reciente.

¿Usted escucha lo que yo escucho? Estos sonidos son normales.

HUMMM... WHOOSH...

- El nuevo compresor de alta eficiencia puede funcionar más rápido y durar más que el de su refrigerador anterior y puede escuchar un zumbido de tono alto o un sonido pulsante mientras opera.
- A veces el refrigerador funciona por un período prolongado, especialmente cuando las puertas se abren continuamente. Esto significa que la función Frost Guard™ está en operación para impedir que el congelador se quemara y mejorar la preservación de los alimentos.
- Puede escuchar un sonido de soplido cuando las puertas se cierran. Esto se debe a que la presión se está estabilizando dentro del refrigerador.

¡WHIR!



- Puede escuchar los ventiladores moviéndose a gran velocidad. Esto pasa cuando el refrigerador se conecta por primera vez, cuando las puertas se abren frecuentemente o cuando se guarda gran cantidad de alimentos en el refrigerador o en los compartimientos del congelador. Los ventiladores están ayudando a mantener las temperaturas correctas.
- Si cualquiera de las puertas permanece abierta por más de 8 minutos, puede escuchar los ventiladores para enfriar los focos de luz.
- Los ventiladores cambian la velocidad para suministrar enfriamiento óptimo y ahorrar energía.

CHASQUIDOS, ESTALLIDOS, CRUJIDO, GORJEOS

- Puede escuchar sonidos como de crujido o estallidos cuando el refrigerador se conecta por primera vez. Esto pasa a medida que el refrigerador se enfría hasta la temperatura correcta.
- Los reguladores electrónicos se abren y se cierran para ofrecer un enfriamiento óptimo y ahorrar energía.
- El compresor puede causar un chasquido o un gorjeo cuando intenta volver a arrancar (esto puede tomar hasta 5 minutos).
- El tablero de control electrónico puede causar un sonido de chasquido cuando se activa el relé para controlar los componentes del refrigerador.
- Expansión y contracción de las bobinas durante o después del ciclo de descongelación puede causar sonidos como de crujido o estallidos.
- En modelos con máquina de hielos, después de completar un ciclo de hacer hielo, se pueden escuchar los cubos de hielo cuando caen a la bandeja de hielos.

SONIDOS DE AGUA



- El fluido del refrigerante a través de las bobinas puede producir un sonido de borboteo como de agua hirviendo.
- El agua que cae en el calentador de descongelación puede causar un chisporroteo, estallido o zumbido durante el ciclo de descongelación.
- Un ruido de agua cayendo se puede escuchar durante el ciclo de descongelación a medida que el hielo se derrite del evaporador y fluye hacia la bandeja de drenaje.
- El cierre de las puertas puede producir un sonido de gorgoteo debido a la estabilización de la presión.

Consejos para la Solución de Problemas... Antes de solicitar el servicio técnico

¡Ahorre tiempo y dinero! Revise las tablas en las siguientes páginas y tal vez no necesitará de solicitar un servicio.

Problema	Causas Posibles	Qué hacer
El refrigerador no funciona	Refrigerador en ciclo de descongelar.	Espere 30 minutos para que la descongelación se termine.
	Controles de temperatura en posición 0 (apagado).	Mueva los controles de temperatura del congelador hasta un ajuste inferior de temperatura.
	El refrigerador esté desconectado.	Empuje la clavija completamente en el enchufe.
	Fusible fundido/ interruptor de circuito roto.	Reemplace el fusible o reajuste el interruptor.
	La función Energy Smart™ está alterando el funcionamiento del refrigerador	Espere aproximadamente 2 horas hasta que continúe el funcionamiento normal.
Compartimiento de alimentos frescos o congelador demasiado cálido	El control de temperatura no se fijó bastante frío.	Vea Los controles.
	Clima caluroso o aperturas frecuentes de la puerta.	Fije el control de temperatura un paso más frío. Vea Los controles.
	Se dejó abierta la puerta.	Revise si hay un paquete que mantiene la puerta abierta.
	La función Energy Smart™ está alterando el funcionamiento del refrigerador	Consulte sobre los <i>Modelos Energy Smart™</i> .
Vibraciones o sacudidas	Los rodillos requieren un ajuste.	Vea Rodillos. Una vibración ligera es normal.
El motor opera durante períodos prolongados o se arranca y se para con frecuencia. (Refrigeradores modernos con más espacio de almacenamiento y un congelador más grande requieren más tiempo de operación. Se arrancan y se paran a para mantener temperaturas uniformes.)	Es normal cuando el refrigerador es recién instalado en su casa.	Espere 24 horas para que el refrigerador se enfríe completamente.
	Ocurre cuando hay largas cantidades de alimentos en el refrigerador.	Eso es normal.
	Se dejó abierta la puerta.	Revise si un paquete mantiene la puerta abierta.
	Clima caluroso o aperturas frecuentes de la puerta.	Eso es normal.
	Controles de temperatura ajustados al punto más frío.	Vea Los controles.
Escarcha o cristales de hielo en alimentos congelados (escarcha en paquete es normal)	Se dejó abierta la puerta.	Revise si hay un paquete que mantiene la puerta abierta.
	La puerta se abre con frecuencia o por mucho tiempo.	
El divisor entre el compartimiento de alimentos frescos y el congelador se siente tibio	Ahorro automático de energía circula líquido tibio en la frente del congelador.	Eso ayuda prevenir la condensación en el exterior.
Dispositivo automático para hacer hielo no funciona (en algunos modelos)	La máquina de hielo está configurada en OFF (Apagado).	Configure la máquina de hielo en ON (Encendido) desde el panel de control.
	El agua está cerrada o no está conectada.	Vea Instalar la línea de agua.
	El compartimiento del congelador es muy cálido.	Espere 24 horas para que se enfríe el refrigerador.
	Cubos apilados en el recipiente apaga el dispositivo para hacer hielo.	Nivele los cubos con la mano.
	Cubos de hielo atorados en dispositivo para hacer hielo.	Apague el dispositivo de hielo, retire los cubos y vuelva a poner el dispositivo en marcha.

Consejos para la Solución de Problemas... Antes de solicitar el servicio técnico

Problema	Causas Posibles	Qué hacer
Los cubos tienen mal olor/sabor	El recipiente para los cubos necesita limpieza.	Vacíe y limpie el recipiente. Deseche los cubos.
	Alimentos transmitiendo olor/sabor a los cubos.	Envuelva bien los alimentos.
	El interior del refrigerador requiere limpieza.	Vea Cuidado y limpieza.
Cubos pequeños o huecos	Filtro de agua tapado.	Reemplace el cartucho del filtro con uno nuevo o con el tapón.
Tamaño de cubo de hielo irregular; puentes más grandes entre cubos de hielo; pérdida de contenido de agua en la máquina de hielo	Máquina de Hielo Desnivelada	<p>Verifique el nivel apropiado de la máquina de hielo usando el indicador de nivel y realice cualquier ajuste que sea necesario.</p> <ul style="list-style-type: none"> - Verifique el nivel de la unidad; consulte las instrucciones de instalación. - Apague la máquina de hielo. - Use el indicador de nivel con burbuja para nivelar la máquina de hielo. • Sostenga el indicador de nivel con burbuja contra la parte inferior de la máquina de hielo. • Afloje los tornillos laterales de la máquina de hielo. <i>Nota: Es posible que sea necesario reforzar los tornillos que sobresalen de la lámina lo suficiente como para permitir que el soporte de la máquina de hielo despeje las protuberancias de la lámina.</i> • La máquina de hielo se deberá nivelar y luego volver a ajustar el tornillo. • Repita este paso según sea necesario.
Formación lenta del hielo	Se dejó abierta la puerta.	Revise si hay un paquete que mantiene la puerta abierta.
	El control de temperatura no es bastante frío.	Vea Los controles.
La puerta no se cierre correctamente	La junta en el lado de la bisagra está pegada o doblada.	Aplique vaselina en la parte frontal de la junta.
Brillo anaranjado en el congelador	Calefactor de descongelación encendido.	Eso es normal.
Brillo anaranjado en el congelador	Calefactor de descongelación encendido.	Eso es normal.
El dispensador de hielo no funciona (en algunos modelos)	Dispositivo de hielo apagado o el agua está apagado.	Enciende el dispositivo de hielo o el agua.
	Los cubos están pegados al brazo detector.	Remueve los cubos.
	Bloques irregulares de hielo en el recipiente.	Rómpalos con los dedos y deseche los cubos restantes.
		El congelador puede ser muy caliente. Ajuste el control a una posición más fría paso por paso hasta que no se formen bloques.
El dispensador está BLOQUEADO (LOCKED).	Presione la tecla Lock (bloqueo) y manténgala presionada durante tres segundos.	
El agua tiene un sabor/olor malo (en algunos modelos)	El dispensador de agua no se uso por mucho tiempo.	Dispense el agua hasta que todo el sistema del agua se llene de nuevo.
El agua en el primer vaso está tibia (en algunos modelos)	Eso es normal con un refrigerador recién instalado.	Espere 24 horas para que se enfríe el refrigerador.
	El dispensador de agua no se uso por mucho tiempo.	Dispense el agua hasta que todo el sistema del agua se llene de nuevo.
	El sistema de agua se ha desaguado.	Espere algunas horas para que se enfríe el agua.

Consejos para la Solución de Problemas... Antes de solicitar el servicio técnico

Problema	Causas Posibles	Qué hacer
El dispensador de agua no funciona (en algunos modelos)	El suministro de agua está apagado o no está conectado.	Consulte sobre la <i>Instalación del suministro de agua</i> .
	Filtro de agua atascado	Reemplace el cartucho del filtro o retire el filtro e instale el tapón.
	Es posible que haya aire atrapado en el sistema de agua.	Presione el brazo dispensador durante por lo menos dos minutos.
	El dispensador está en bloqueado.	Mantenga presionada la tecla Lock (Bloquear) durante 3 segundos.
El agua chorrea del dispensador	Cartucho del filtro recién instalado.	Deje correr el agua desde el dispensador por 3 minutos (aprox. 1-1/2 galóns) (5.7 litros).
No sale agua	El agua en el depósito está congelada.	Comuníquese al servicio técnico en cafeappliances.com/service .
No sale agua y el dispositivo para hacer hielo no funciona	Está tapada la línea de agua o la llave de paso.	Llame a un plomero
	Filtro de agua tapado.	Reemplace el cartucho del filtro o remueva el filtro y instale el tapón.
	El dispensador está BLOQUEADO (LOCKED).	Presione la tecla Lock (bloqueo) y manténgala presionada durante tres segundos.
El refrigerador huele	Alimentos transmitiendo olores al refrigerador.	Alimentos con olores fuertes deben estar tapados. Guarde una caja de bicarbonato de sodio en el refrigerador; cámbiela cada tres meses.
	El interior requiere limpieza.	Vea Cuidado y limpieza.
	Limpie el sistema de agua de descongelación.	Vea Cuidado y limpieza.
Humedad en el exterior del refrigerador	Normal en periodos con alto grado de humedad.	Seque la superficie.
Humedad en el interior	Se abre la puerta con frecuencia o por mucho tiempo.	
No funciona la luz interior	No hay corriente en el contacto.	Reemplace el fusible o reajuste el interruptor.
	Bombilla fundida.	Vea Reemplazar las bombillas.
	Es posible que SABBATH MODE (Modo Sabático) esté activo.	Vea las instrucciones para salir del MODO SABÁTICO
Agua en el piso de la cocina o en el fondo del congelador	El desagüe en el fondo del	Vea Cuidado y limpieza.
	Cubos atrapados en el orificio.	Empuje los cubos en el vertedero con una cuchara de madera.
Aire caliente a la base del refrigerador	El aire fluye para enfriar el motor. En el proceso de refrigeración es normal que salga calor de la base del refrigerador. Algunos recubrimientos de piso están sensibles y se descolorean a estas temperaturas normales y seguras.	
Se seleccionó Cubed Ice (hielo en cubos) pero se dispensó Crushed Ice (hielo picado) (en algunos modelos)	La última selección fue Crushed Ice (hielo picado).	Se quedaron unos cuantos cubos en el triturador de la selección anterior. Esto es normal.
Frecuente sonido de "murmullo"	La máquina de hielo está configurada en ON (Encendido).	Configure la máquina de hielo en OFF (Apagado) desde el panel de control. Mantener la máquina de hielo en ON (Encendido) dañará la válvula de agua.

Notas

Café Garantía Limitada del Refrigerador

GARANTÍA LIMITADA

cafeappliances.com

Todo el servicio de garantía es provisto por nuestros Centros de Servicio de Fabricación, o un técnico autorizado de o un técnico autorizado de servicio. Para programar una visita del servicio técnico, visítenos en cafeappliances.com/service. Cuando llame para solicitar el servicio, tenga los números de serie y modelo disponibles. En Canadá, visite cafeappliances.ca/service.

Por el Período de:	Café Reemplazará
Un Año Desde la fecha de la compra original	Cualquier parte del refrigerador que falle debido a un defecto en los materiales o la fabricación. Durante esta garantía limitada de un año , Café también proveerá, sin costo , todo el trabajo y el servicio relacionado con el reemplazo de la parte que presente defectos.
Treinta Días (Filtro de Agua, si está incluido) Desde la fecha de la compra original del refrigerador	Cualquier parte del cartucho del filtro de Agua que falle debido a un defecto en los materiales o la fabricación. Durante la garantía limitada por treinta días , Café también le brindará, sin costo , el reemplazo de un cartucho del filtro de agua.
Cinco Años Desde la fecha de la compra original	Cualquier parte del sistema de refrigeración sellado (el compresor, condensador, evaporador y todas las tuberías de conexión) que falle debido a un defecto en los materiales o la fabricación. Durante esta garantía de cinco años del sistema de refrigeración sellado , Café también proveerá, sin costo, todo el trabajo y el servicio relacionado con el reemplazo de la parte que presente defectos en el sistema de refrigeración sellado.

Qué No Está Cubierto:

- Viajes del técnico del servicio a su hogar para enseñarle sobre cómo usar el producto.
- Instalación, entrega o mantenimiento inadecuados.
- Fallas del producto en caso de abuso, mal uso, o uso para propósitos diferentes al original o uso comercial.
- Pérdida de alimentos por mal estado.
- Reemplazo de fusibles de la casa o reinicio de disyuntores.
- Daño causado después de la entrega.
- Reemplazo del cartucho del filtro de agua, si se incluye, debido a la presión del agua que está fuera del rango de funcionamiento específico o debido a exceso de sedimentos en el suministro de agua.
- Reemplazo de bombillas de luz, si se incluyen, o del cartucho del filtro de agua, si se incluye, a diferencia de lo detallado anteriormente.
- Daños ocasionados sobre el producto por accidente, incendio, inundaciones o catástrofes naturales.
- Daños consecuentes o incidentales causados por posibles defectos de este producto.
- Producto no accesible para brindar el servicio requerido.
- Daño ocasionado por un filtro de agua de una marca que no es GE Appliances.
- Cualquier daño sobre la terminación deberá ser informado dentro de las 48 horas luego de la entrega del electrodoméstico.

EXCLUSIÓN DE GARANTÍAS IMPLÍCITAS

Su única y exclusiva alternativa es la reparación del producto, como se indica en la Garantía Limitada. Las garantías implícitas, incluyendo garantías implícitas de comerciabilidad o conveniencia sobre un propósito particular, se limitan a un año o al período más corto permitido por la ley.

Esta garantía limitada se extiende al comprador original y a cualquier dueño subsiguiente de productos comprados para uso hogareño dentro de EE.UU. Si el producto está en un área donde no se encuentra disponible un Proveedor Autorizado del Servicio Técnico de Café, usted será responsable por el costo de un viaje o se podrá requerir que traiga el producto a una ubicación del Servicio Técnico de Café Autorizado para recibir el servicio. En Alaska, la garantía limitada excluye el costo de envío o llamadas del servicio a su hogar.

Algunos estados no permiten la exclusión o limitación de daños fortuitos o consecuentes. Esta garantía limitada le da derechos legales específicos y es posible que tenga otros derechos legales que varían entre un estado y otro. Para conocer cuáles son sus derechos legales, consulte a la oficina de asuntos del consumidor local o estatal o al Fiscal de su estado.

Warrantor: GE Appliances, a Haier company
Louisville, KY 40225

Para Clientes en Canadá: Esta garantía limitada se extiende al comprador original y a cualquier dueño subsiguiente de productos comprados para uso hogareño dentro de Canadá. El servicio técnico hogareño de la garantía será brindado en áreas donde Mabe se encuentre disponible y lo considere apropiado.

Garante en Canadá: MC Commercial, Inc., Burlington, Ontario, L7R 5B6

Abroche su recibo aquí. Para acceder al servicio técnico de acuerdo con la garantía deberá contar con la prueba de la fecha original de compra.

Ficha Técnica de Funcionamiento

Sistema de Filtración SmartWater™—Cartucho MWF

La concentración de las sustancias indicadas en el agua que ingresa al sistema fue reducida a la concentración menor que o igual al límite permisible para el agua que deja el sistema, como se especifica en NSF/ANSI Estándar 42 y Estándar 53. Sistema evaluado y certificado por NSF Internacional contra NSF/ANSI Estándar 42 y Estándar 53 para la reducción de las sustancias que figuran a continuación.

Capacidad de 300 galones (1.135 litros).

Reducción de Contaminantes Determinada por la evaluación de NSF.

Sustancia Evaluada para la Reducción	Concentración Promedio	Concentración Máxima Especificada por NSF	% Promedio de Reducción	Promedio de Concentración del Agua Procesada	Concentración Máxima Autorizada Aceptable de Agua Procesada	Requisitos de Reducción de NSF	Informe de Evaluación de NSF
Gusto y Olor a Cloro	2.0 mg/L	2.0 mg/L ± 10%	97.4%	0.05 mg/L	N/A	≥ 50%	J-00137878
Partícula Nominal Clase I, ≥0.5 a < 1.0 µm	11,333,333 pts/mL	Por lo menos 10,000 partículas/mL	99.9%	5,510 pts/mL	N/A	≥85%	J-00137881
Quiste*	101,000 cysts/L	Mínimo 50,000 quistes/L	99.99%	1 quistes/L	N/A	≥99.95%	J-00100036
Asbestos	133 MF/L	10 ⁷ a 10 ⁸ fibras/L; fibras superiores a 10µm de longitud	>99%	<1 MF/L	N/A	≥99%	J-00137886
Atrazina	0.008 mg/L	0.009 mg/L ± 10%	91.3%	0.0007 mg/L	0.003 mg/L	N/A	J-00137910
Benceno	0.014 mg/L	0.015 mg/L ± 10%±	96.5%	0.0005 mg/L	0.005 mg/L	N/A	J-00137912
Carbofurano	0.08 mg/L	0.08 mg/L ± 10%	74.5%	0.01 mg/L	0.04 mg/L	N/A	J-00147488
Endrina	0.007 mg/L	0.006 mg/L ± 10%	97.1%	0.0002 mg/L	0.002 mg/L	N/A	J-00100039
Plomo en pH 6.5	0.148 mg/L	0.15 mg/L ± 10%	99.3%	0.001 mg/L	0.010 mg/L	N/A	J-00137914
Plomo en pH 8.5	0.155 mg/L	0.15 mg/L ± 10%	99.3%	0.001 mg/L	0.010 mg/L	N/A	J-00137915
Lindano	0.002 mg/L	0.002 mg/L ± 10%	96.5%	0.00002 mg/L	0.0002 mg/L	N/A	J-00137924
Mercurio en pH 6.5	0.006 mg/L	0.006 mg/L ± 10%	87.6%	0.0004 mg/L	0.002 mg/L	N/A	J-00137925
Mercurio en pH 8.5	0.006 mg/L	0.006 mg/L ± 10%	93.2%	0.0007 mg/L	0.07 mg/L	N/A	J-00092355
P-Diclorobenceno	0.223 mg/L	0.225 mg/L ± 10%	99.8%	0.005 mg/L	0.075 mg/L	N/A	J-00137926
Tetracloroetileno	0.014 mg/L	0.015 mg/L ± 10%	96.5%	0.0005 mg/L	0.005 mg/L	N/A	J-00137929
Toxafeno	0.017 mg/L	0.015 mg/L ± 10%	>93.9%	0.001 mg/L	0.003 mg/L	N/A	J-00137928
2, 4-D	0.192 mg/L	0.210 mg/L ± 10%	77.7%	0.040 mg/L	0.07 mg/L	N/A	J-00147489

*Basado en el uso de Cryptosporidium parvum oocysts.

Los siguientes reclamos de reducción farmacéutica no fueron certificados por NSF Internacional ni por el Estado de California. Reclamos evaluados y verificados por un laboratorio independiente:

Reducción de contaminantes	Concentración Promedio	Concentración Máxima Especificada por NSF	% Promedio de Reducción	Promedio de Concentración del Agua Procesada	Concentración Máxima Autorizada Aceptable de Agua Procesada	Requisitos de Reducción de NSF	Informe de Evaluación de NSF
Atenolol	978 ng/L	N/A	99.5%	5.0 ng/L	N/A	N/A	J-00121587
Fluoxetina	907 ng/l	N/A	99.4%	5.4 ng/L	N/A	N/A	J-00121587
Ibuprofeno	885 ng/L	N/A	94.1%	52.3 ng/L	N/A	N/A	J-00121588
Progesterona	1097 ng/L	N/A	99.5%	5.0 ng/L	N/A	N/A	J-00121589
Trimetoprima	415 ng/L	N/A	99.5%	2.0 ng/L	N/A	N/A	J-00121587

Pautas de Aplicación/ Parámetros de Suministro de Agua

Flujo de Servicio	0.5 gpm (1.9 lpm)
Suministro de Agua	Agua Potable

Presión del Agua	40-120 psi (2.8-8.2 bar)
Temperatura del agua	33°F-100°F (0.6°C-38°C)

Es esencial que se cumpla con los requisitos de instalación, mantenimiento y reemplazo de filtros recomendados por el fabricante, a fin de que el producto funcione de acuerdo a como fue promocionado. Para acceder a información sobre la Garantía, consulte el Manual de Instalación.

Nota: Observe que aunque la evaluación se realizó de acuerdo con condiciones estándares de laboratorio, el desempeño puede variar. La evaluación de reducción de contaminantes es realizada cada cinco años por la agencia de certificación a fin de mantener la certificación.

Cartucho de Reemplazo: MWF. Para conocer costos estimados de elementos de reemplazo, comuníquese al 1.877.959.8688 o visite nuestro sitio web en cafeappliances.com.

⚠ ADVERTENCIA

A fin de reducir el riesgo asociado con la ingestión de contaminantes:

- No se deben usar con agua que no sea microbiológicamente segura o de calidad desconocida sin una desinfección adecuada, antes o después, del sistema. Los sistemas certificados para la reducción de quistes se pueden usar en aguas desinfectadas que puedan contener quistes filtrables.



AVISO

A fin de reducir el riesgo asociado con daños sobre la propiedad debido a pérdidas de agua:

- Lea y siga las instrucciones de uso antes de la instalación y uso de este sistema.
- La instalación y uso **DEBERÁN** cumplir con todos los códigos de plomería estatales y locales.
- No se deberá instalar si la presión del agua supera los 120 psi (8.2 bar). Si la presión del agua es superior a los 80 psi (5.5 bar), se **deberá** instalar una válvula limitadora de presión. Si no está seguro sobre cómo controlar la presión del agua, comuníquese con un plomero profesional.
- No instale cuando se puedan producir condiciones de golpe de ariete. Si existen condiciones de golpe de ariete, **deberá** instalar un suspensor de golpes de ariete. Si no está seguro sobre cómo controlar esta condición, comuníquese con un plomero profesional.
- No instale en líneas de suministro de agua caliente. La temperatura máxima de funcionamiento del agua para este sistema de filtro es de 100°F (38°C).
- Proteja el filtro de heladas. Drene el filtro cuando las temperaturas sean inferiores a 33°F (0.6°C).
- El cartucho del filtro descartable **deberá** ser reemplazado cada 6 meses luego de un uso normal, o antes si se produce una reducción notoria en el caudal.

Cartucho del Filtro de Agua MWF Garantía Limitada

Comuníquese con nosotros en cafeappliances.com

Por el Período de:	Reemplazaremos, Sin Costo:
Treinta Días Desde la fecha de la compra original	Cualquier parte del cartucho del filtro de Agua que falle debido a un defecto en los materiales o la fabricación durante esta garantía limitada de treinta días.*

Qué No Cubrirá GE Appliances:

- Viajes del técnico del servicio a su hogar para enseñarle sobre cómo usar el producto.
- Instalación inadecuada.
- Fallas del producto en caso de abuso, mal uso, o uso para propósitos diferentes al original o uso comercial..
- Reemplazo de fusibles de la casa o reinicio de disyuntores.
- Daños ocasionados sobre el producto por accidente, incendio, inundaciones o catástrofes naturales.
- Daños consecuentes o incidentales causados por posibles defectos de este producto.

EXCLUSIÓN DE GARANTÍAS IMPLÍCITAS:

Su única y exclusiva alternativa es el cambio de la pieza, como se indica en esta Garantía Limitada. Las garantías implícitas, incluyendo garantías implícitas de comerciabilidad o conveniencia sobre un propósito particular, se limitan a seis meses o al período más corto permitido por la ley.

Esta garantía se extiende al comprador original y a cualquier dueño subsiguiente de productos comprados para uso hogareño dentro de EE.UU. En Alaska, la garantía excluye el costo de envío o llamadas del servicio a su hogar.

Algunos estados no permiten la exclusión o limitación de daños fortuitos o consecuentes. Esta garantía le da derechos legales específicos y es posible que tenga otros derechos legales que varían entre un estado y otro. Para conocer cuáles son sus derechos legales, consulte a la oficina de asuntos del consumidor local o estatal o al Fiscal de su estado.

Para Adquisiciones Realizadas en Iowa: Este formulario debe poseer la firma y fecha del comprador y del vendedor antes de la consumación de esta venta.

Este formulario debería ser retenido por el vendedor en un archivo durante un mínimo de dos años.

Comprador:

Nombre _____
 Domicilio _____
 Ciudad _____ Estado _____ Código Postal _____
 Firma _____ Fecha _____

Vendedor:

Nombre _____
 Domicilio _____
 Ciudad _____ Estado _____ Código Postal _____
 Firma _____ Fecha _____

*Si su pieza de GE falla debido a un defecto en la fabricación dentro de los treinta días desde la fecha de compra original, le entregaremos una pieza nueva o, a su elección, una pieza reconstruida sin cargo. Devuelva la pieza defectuosa al proveedor de piezas a quien le realizó la compra, junto con una copia de la "prueba de compra" de la pieza. Si la pieza es defectuosa y no muestra signos de abuso, será cambiada. La garantía no cubre la falla de las piezas que están dañadas mientras están en su posesión, si son abusadas, o si fueron instaladas de forma incorrecta. No cubre el costo de regresar la pieza al proveedor a quien le realizó la compra ni cubre el costo del trabajo para retirar o instalar la misma a fin de diagnosticar la falla. No cubre las piezas usadas en productos de uso comercial, excepto en el caso de equipos acondicionadores de aire. En ningún caso GE será responsable por daños consecuentes.

Garante: GE Appliances, a Haier company
Louisville, KY 40225

Abroche su recibo aquí. Para acceder al servicio técnico de acuerdo con la garantía deberá contar con la prueba de la fecha original de compra.

Soporte para el Consumidor

Sitio Web de Café

¿Desea realizar una consulta o necesita ayuda con su electrodoméstico? ¡Intente a través del Sitio Web de Café las 24 horas del día, cualquier día del año! Usted también puede comprar más electrodomésticos maravillosos de CAFÉ y aprovechar todos nuestros servicios de soporte a través de Internet, diseñados para su conveniencia.
En EE.UU.: cafeappliances.com

Registre su Electrodoméstico

¡Registre su electrodoméstico nuevo a través de Internet, según su conveniencia! Un registro puntual de su producto permitirá una mejor comunicación y un servicio más puntual de acuerdo con los términos de su garantía, en caso de surgir la necesidad. También puede enviar una carta en la tarjeta de inscripción preimpresa que se incluye con el material embalado.
En EE.UU.: cafeappliances.com/register

Servicio Programado

El servicio de reparación de expertos de Café está a sólo un paso de su puerta. Conéctese a través de Internet y programe su servicio a su conveniencia cualquier día del año. En EE.UU.: cafeappliances.com/service

Garantías Extendidas

Adquiera una garantía extendida deCafé y conozca los descuentos especiales que están disponibles mientras su garantía aún está vigente. La puede adquirir en cualquier momento a través de Internet. Los servicios de Café aún estarán allí cuando su garantía caduque.
En EE.UU.: cafeappliances.com/extended-warranty

Piezas y Accesorios

Aquellos individuos calificados para realizar el servicio técnico de sus propios electrodomésticos podrán solicitar el envío de piezas o accesorios directamente a sus hogares (se aceptan las tarjetas VISA, MasterCard y Discover). Ordene hoy a través de Internet durante las 24 horas, todos los días. En EE.UU.: cafeappliances.com.

Las instrucciones que figuran en este manual cubren los procedimientos que serán realizados por cualquier usuario. Otros servicios técnicos generalmente deben ser derivados a personal calificado del servicio. Se deberá tener cuidado, ya que una reparación indebida podrá hacer que el funcionamiento no sea seguro.

Contáctenos

Si no se encuentra satisfecho con el servicio que recibió de Café, comuníquese con nosotros a través de nuestro sitio Web con todos los detalles, incluyendo su número telefónico, o escriba a:

En EE.UU.: General Manager, Customer Relations | GE Appliances, Appliance Park | Louisville, KY 40225
GEAppliances.com/contact