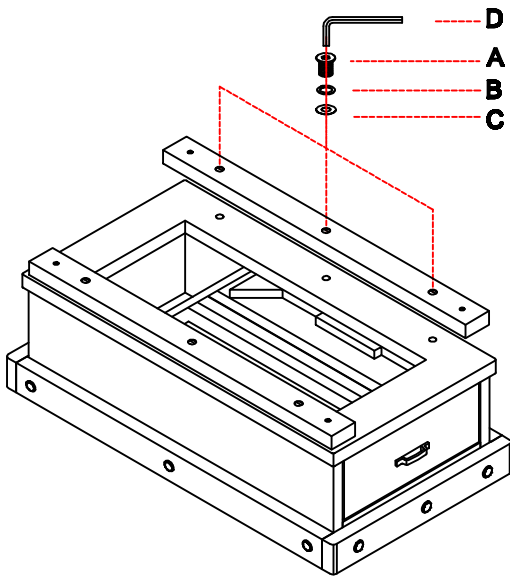




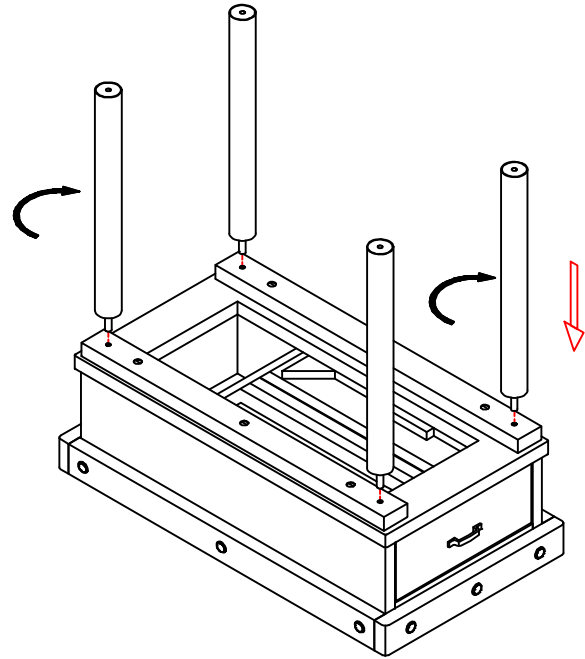
null | furniture

ASSEMBLY INSTRUCTION

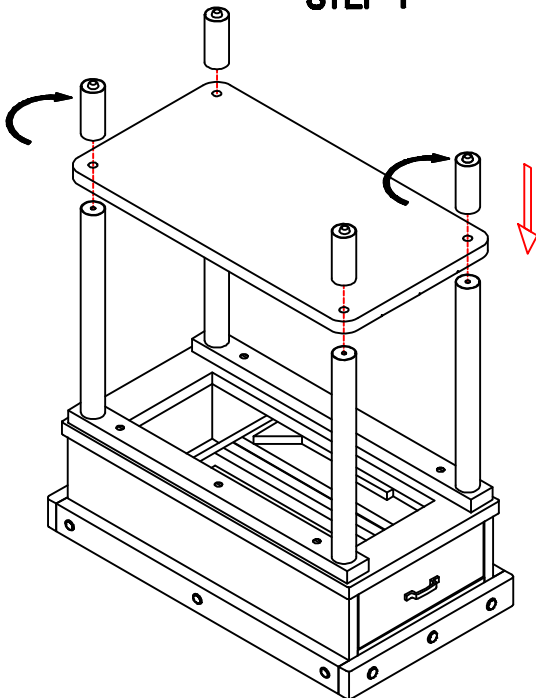
ITEM NO:2117-07
CHAIRSIDE TABLE



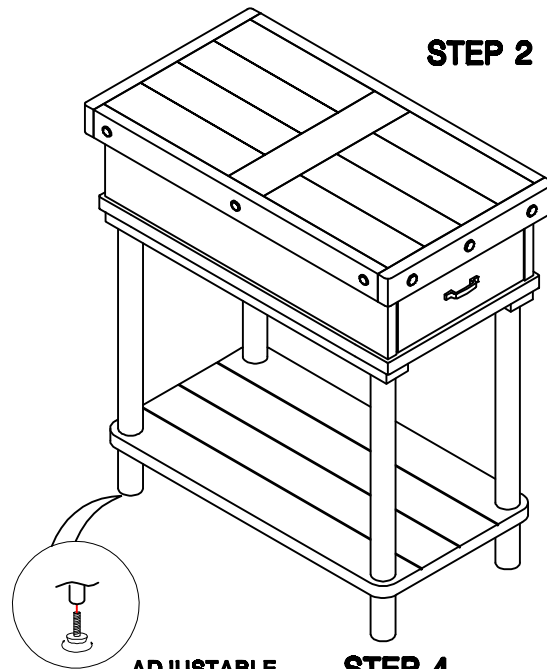
STEP 1



STEP 2



STEP 3



STEP 4

DO NOT TIGHTEN SCREWS
UNTIL COMPLETELY ASSEMBLED

Item	Sketch	Description	Qty
A		Bolt 1/4"x1-1/4"	6 PCS
B		Lock Washer 1/4"	6 PCS
C		Flat Washer 1/4"x16mm	6 PCS
D		Allen Wrench 1/4"	1 PC