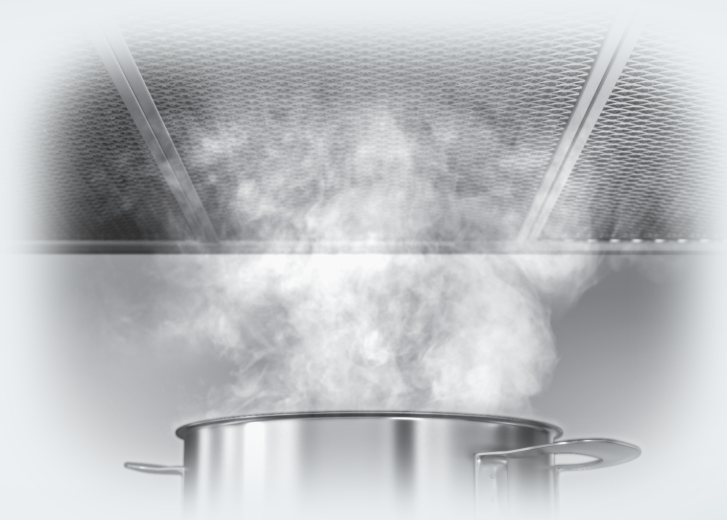


Operating and Installation Instructions Ventilation System



To prevent accidents and machine damage, read these instructions **before** installation or use.

Contents

IMPORTANT SAFETY INSTRUCTIONS	3
Functional description	7
Guide to the Ventilation System	8
Operation	10
Turning on the fan	10
Selecting the power level	10
Delayed Shut Down	12
Turning off the fan	12
Turning the lighting On/Off	13
Dimming the lighting	13
Filter timers	14
Checking the filter timers	14
Reprogramming the timers	15
Cleaning and Care	17
Cleaning the casing	17
Grease filters	18
Active charcoal filter	19
Changing the light bulbs	20
After Sales Service	21
Installation instructions	23
Caring for the environment	25
Appliance dimensions	26
Plywood backing	29
Installation	30
Dismantling	32
Air extraction	33
Electrical connection	35
Technical data	36

IMPORTANT SAFETY INSTRUCTIONS

READ AND SAVE THESE INSTRUCTIONS

Keep these instructions in a safe place and pass them on to any future user.

Read these instructions carefully before installing or using the Ventilation System.

- ▶ This appliance is intended for residential use only. Use the appliance only for its intended purpose.
- ▶ This appliance complies with current safety requirements. Improper use of the appliance can lead to personal injury and material damage.

⚠ CAUTION For General Ventilating Use Only. Do Not Use To Exhaust Hazardous Or Explosive Materials And Vapors.

- ▶ This appliance is designed to vent cooking smoke and odors only.
- ▶ This appliance is suitable for installation above gas or electric cooking surfaces.
- ▶ This appliance is not intended for outdoor use.
- ▶ This appliance must not be used in a non-stationary location (e.g. on a ship).

⚠ WARNING TO REDUCE THE RISK OF FIRE, ELECTRIC SHOCK, OR INJURY TO PERSONS, OBSERVE THE FOLLOWING:

- ▶ a) Use this appliance only in the manner intended by the manufacturer. If you have questions, contact Miele.
- ▶ b) Before servicing or cleaning the appliance, switch power off at the service panel and lock the service disconnecting means to prevent power from being switched on accidentally. If the service disconnecting means cannot be locked, securely fasten a prominent warning device, such as a tag, to the service panel.
- ▶ c) Be certain your appliance is properly installed and grounded by a qualified technician. To guarantee the electrical safety of this appliance, continuity must exist between the appliance and an effective grounding system. It is imperative that this basic safety requirement be met. If there is any doubt, have the electrical system of the house checked by a qualified electrician.

IMPORTANT SAFETY INSTRUCTIONS

▶ d) Before connecting the appliance to the power supply make sure that the voltage and frequency listed on the data plate correspond with the household electrical supply. This data must correspond to prevent appliance damage. If in doubt consult a qualified electrician.

▶ e) Installation work and repairs should only be performed by a qualified technician in accordance with all applicable codes and standards. Repairs and other work by unqualified persons could be dangerous.

▶ f) Only open the housing as described in the enclosed "Installation diagram" and in the "Cleaning and care" section of this manual. Under no circumstances should any other parts of the housing be opened. Tampering with electrical connections or components and mechanical parts is highly dangerous to the user and can cause operation faults.

▶ g) Before discarding an old appliance, disconnect it from the power supply and remove the power cord to prevent hazards.

Use

WARNING **TO REDUCE THE RISK OF A COOKTOP GREASE FIRE:**

▶ a) Never leave surface units unattended at high settings. Boilovers cause smoking and greasy spillovers may ignite. Heat oils slowly on low or medium settings.

▶ b) Always turn the hood on when cooking at a high heat.

▶ c) Clean the ventilation hood frequently. Grease should not be allowed to accumulate on the fan or filter.

▶ d) Use the proper pan size. Always use cookware appropriate for the size of the cooking area.

▶ e) Do not flambé or grill with an open flame beneath the hood. Flames could be drawn up into the hood by the suction and the grease filters may catch fire.

IMPORTANT SAFETY INSTRUCTIONS

⚠ WARNING
TO REDUCE THE RISK OF INJURY TO PERSONS IN THE EVENT OF A COOKTOP GREASE FIRE, OBSERVE THE FOLLOWING*:

▶ a) **SMOTHER FLAMES** with a close fitting lid, cookie sheet, or metal tray then turn off the burner.

BE CAREFUL TO PREVENT BURNS. If the flames do not go out immediately, **EVACUATE AND CALL THE FIRE DEPARTMENT.**

▶ b) **NEVER PICK UP A FLAMING PAN** - You may be burned.

▶ c) **DO NOT USE WATER**, including wet dishcloths or towels - a violent steam explosion will result.

▶ d) Use a fire extinguisher **ONLY** if:

1) You have a class ABC extinguisher, and you know how to operate it.

2) The fire is small and contained in the area where it started.

3) The fire department is being called.

4) You can fight the fire with your back to an exit.

* Based on "Kitchen Firesafety Tips" published by NAFTA

▶ Do not allow children to play with or operate the appliance or its controls. Supervise its use by the elderly or infirm.

▶ Always turn on the hood when using the cooktop to prevent damage from condensation.

▶ Never operate gas burners without cookware. Turn the burner off when not in use. Adjust the burner so that the flames do not extend beneath the cookware. Do not overheat the cookware, e.g. when using a wok. The hood can be damaged due to excessive heat from the burners and the cookware.

▶ Do not use the hood without the grease filters in place.

▶ Do not use a steam cleaner to clean the hood. Steam could penetrate electrical components and cause a short circuit.

IMPORTANT SAFETY INSTRUCTIONS

Installation

⚠ WARNING
TO REDUCE THE RISK OF
FIRE, ELECTRIC SHOCK, OR
INJURY TO PERSONS,
OBSERVE THE FOLLOWING:

- ▶ a) Installation work and electrical wiring must be done by qualified person(s) in accordance with all applicable codes and standards, including fire-rated construction.
- ▶ b) Sufficient air is needed for combustion and exhausting of gases through the flue (chimney of fuel burning equipment to prevent back drafting. Follow the heating equipment manufacturer's guideline and safety standards such as those published by the National Fire Protection Association (NFPA) and the American Society for Heating, Refrigeration and Air Conditioning Engineers (ASHRAE), and the local code authorities.
- ▶ c) When cutting or drilling into the wall or ceiling, do not damage electrical wiring and other hidden utilities.
- ▶ d) Ducted hoods must always be vented to the outdoors.
- ▶ e) Do not use this hood with any solid-state speed control device.
- ▶ f) Do not use an extension cord to connect the appliance to electricity. Extension cords do not guarantee the required safety of the appliance, (e.g. danger of overheating).

▶ g) Do not install this hood over cooktops that burn solid fuel.

▶ h) Provided a larger distance is not given by the manufacturer of the cooktop, follow the minimum safety distances between a cooktop and the bottom of the hood given in the "Appliance dimensions" section of this manual.

If local building codes require a greater safety distance, follow their requirement.

If there is more than one appliance beneath the hood and they have different minimum safety distances always select the greater distance.

▶ i) Never connect an exhaust hood to an active chimney, dryer vent, vent flue, or room ventilating ductwork.

▶ j) Seek professional advice before connecting an exhaust hood vent to an existing, inactive chimney or vent flue.

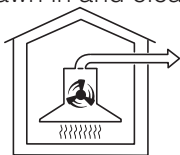
▶ k) Any fittings, sealant, or materials used to install the ductwork must be made of approved non-flammable materials.

⚠ WARNING
TO REDUCE THE RISK OF
FIRE USE ONLY METAL
DUCTWORK.

The hood offers two modes of operation:

Air extraction

The air is drawn in and cleaned by the



grease filters and directed outside.

The hood comes equipped with a **non-return flap**. This flap automatically closes when the hood is turned off so that no exchange of outside air and room air can occur. When the hood is turned on, the air pressure of the exhaust fan automatically opens the flap blowing the inside air and cooking odors outside.

Recirculation mode

Air is drawn through the grease filters

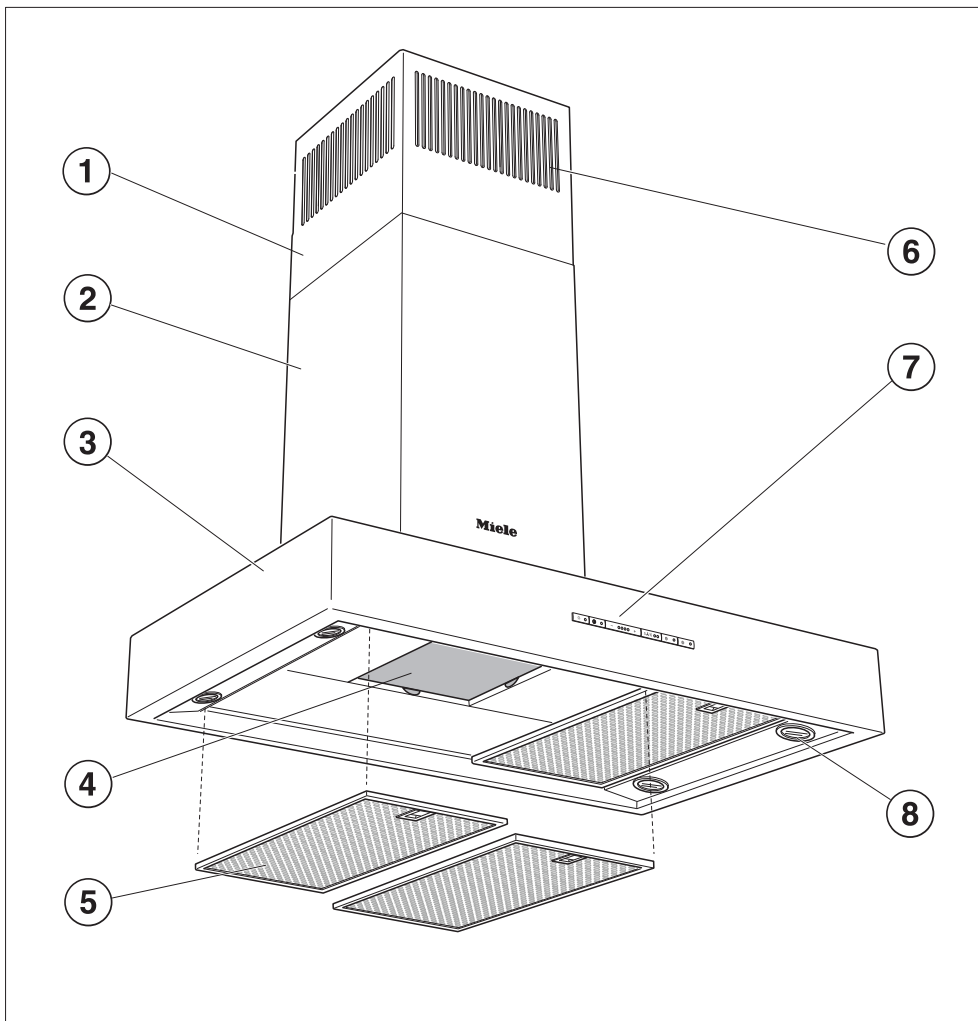


and an **active charcoal filter**. The filtered air is then recirculated back into the kitchen through a vent at the top of the hood's chimney.

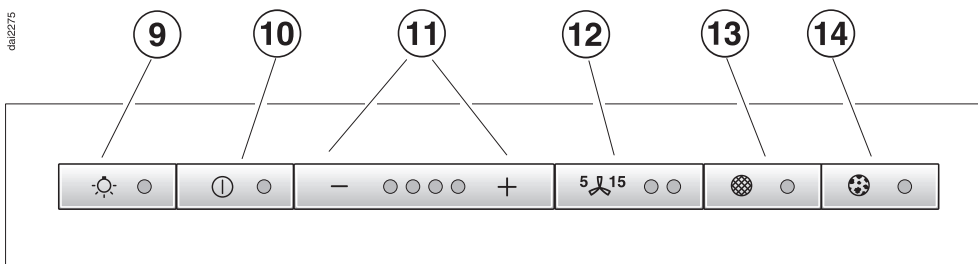
The recirculation mode requires an install kit and charcoal filter which are optional accessories.

Before using the hood in recirculation mode, ensure that the active charcoal filter is in place, see "Cleaning and care".

Guide to the Ventilation System



01a2275



① Chimney extension

② Chimney

③ Canopy

④ Charcoal filter

(optional accessory)

⑤ Grease filter

⑥ Recirculation vent

⑦ Control panel

⑧ Overhead lighting

⑨ Light button

This button turns the light on and off and also dims the light.

The lighting can be used independently from the fan.

⑩ On/Off button

⑪ Fan power selection

Four fan speed selection

⑫ Delayed shut down

This button activates the Delayed Shut Down feature. The fan can be set to turn off automatically after either 5 or 15 minutes.

⑬ Grease filter button

The indicator next to the grease filter button lights when the grease filters need to be cleaned. This button is also used:

- to reset the grease filter timer after cleaning the grease filters (see "Cleaning and Care").
- to show how long the grease filters have been in use (see "Operation/Filter timers").
- to change the number of hours counted by the grease filter timer (see "Operation/Reprogramming the timers").

⑭ Charcoal filter button

The indicator next to the charcoal filter button lights when the charcoal filter needs to be replaced.

This button is also used:

- to reset the charcoal filter timer after changing the filter (see "Cleaning and care").
- to show how long the charcoal filter has been in use (see "Operation/Filter timers").
- to change the number of hours counted by the charcoal filter timer (see "Operation/Reprogramming the timers").

Operation

Turning on the fan



- Press the On/Off button.

Selecting the power level



- Use the "-/+ " controls to select the desired power level.

+ = increases the fan speed
- = decreases the fan speed

Level "1" to "3" are usually sufficient for normal cooking.

Intensive setting

Level "4" should only be used for short periods of time when frying or cooking food with a strong aroma.

Automatically switching back the Intensive power level

The intensive level "4" can be programmed to automatically switch back to level "3" after 10 minutes.

- Turn the fan and the lights off.



- Press and hold the Delayed Shut down button for 10 secs. The first indicator of the fan power levels lights.
- Press the following buttons one after another,



- light,



- the "-" button, and



- the light button again.

If the power level indicators flash the automatic switch back is not activated.



- To activate the automatic switch back press the "+" button.

The power level indicators light.

- To deactivate the automatic switch back press the "-" button.



- To save the setting press the Delayed Shut down button.

If the procedure is not stored within 4 minutes of programming, the hood will automatically default to the "old" data.

Fan performance

The maximum air flow capacity is 625 cfm. Factors such as narrow duct diameter and bends will affect this value.

Level 1 operates at 40% capacity

Level 2 operates at 60% capacity

Level 3 operates at 80% capacity

Level 4 operates at 100% capacity

There will also be a slight decrease in airflow for hoods operated in recirculation mode due to the active charcoal filter.

Operation

Delayed Shut Down

If odors or smoke remain in the kitchen after cooking has been completed, the Delayed Shut Down feature can be selected to allow the hood to continue running for either 5 or 15 minutes.



- Press the Delayed Shut Down button while the fan is still running.

Press once = 5 minute delay
(left indicator lights)

Press twice = 15 minute delay
(right indicator lights)

To cancel the Delayed Shut Down feature press the button again.

Turning off the fan



- Press the On/Off button to turn the fan off.

The indicator will go out.

Automatic Safety Shut Off

The fan will turn off automatically 10 hours after the last button was pressed. The lighting however will remain on.



- Press the On/Off button to turn the fan back on again.

Turning the lighting On/Off

The overhead lighting can be turned on and off independently from the fan.



- Press the light button **briefly** to turn on the lighting.

The light button indicator illuminates.

- Press the light button **briefly** again to turn off the lighting.

The light button indicator will go out.

Dimming the lighting

The brightness of the lighting can be adjusted.

- While the lighting is turned on, press the light button.
The lighting will dim until the button is released.

- If the button is pressed again, the lighting will brighten until the button is released.

If the button is pressed continuously, the light will cycle between bright and dark.

- Press the light button again to turn off the lighting.

Operation

Filter timers

Grease filters

A timer monitors the hours of fan operation. The indicator for the grease filter will light after 30 hours of operation. The grease filters must then be cleaned.

After the grease filters have been cleaned and put back in place, the grease filter timer must be reset.



- To do this, press the grease filter button for approx. 3 seconds.

The indicator will go out.

Charcoal filter

Recirculation mode only

The timer for the charcoal filter is not preset. Please program this timer, see "Operation - Reprogramming the charcoal filter timer".

The charcoal filter indicator will light once the selected time has elapsed. The charcoal filter must then be replaced and the charcoal filter timer reset.



- To do this, press the charcoal filter button for approx. 3 seconds.

The indicator will go out.

Checking the filter timers

- Press the On/Off button to turn the fan on.



- Press and hold the grease or charcoal filter button.



The number of flashing "-/+ " indicators show the percentage of programmed hours that have been used.



- 1 indicator = less than 25 %
- 2 indicators = less than 50 %
- 3 indicators = less than 75 %
- 4 indicators = less than 100 %

This information will remain stored in memory in the event of a power failure.

Reprogramming the timers

The grease filter timer is preset to 30 hours. This time can be lengthened or shortened to 20, 30, 40, or 50 hours.

- A time of 20 hours should be programmed in kitchens with frequent pan or deep frying.
- A time of 20 hours should also be programmed if the kitchen is only used occasionally to prevent grease which has accumulated over a long period of time from hardening on the filters making cleaning more difficult.

Reprogramming the grease filter timer



- Press the On/Off button to turn off the fan.



- Press the Delayed Shut Down and grease filter buttons at the same time.

The indicator for the grease filter and one of the "-/+ " indicators will flash.



The lit indicator shows the programmed time:

- 1st indicator from the left = 20 hours
- 2nd indicator from the left = 30 hours
- 3rd indicator from the left = 40 hours
- 4th indicator from the left = 50 hours

- Use the "-/+ " button to select the desired time.



- Save the selection by pressing the grease filter button.

If the procedure is not stored within 4 minutes of programming, the hood will automatically default to the "old" data.

Operation

Reprogramming the charcoal filter timer

The active charcoal filter can only be used in recirculation mode and cannot be used to exhaust fumes.

The charcoal filter timer is **not preset**.

Before using the hood in recirculation mode, the charcoal filter timer must be programmed.



- Turn off the fan using the On/Off button.



- Press the Delayed Shut Down and charcoal filter buttons at the same time.

The indicator for the charcoal filter and one of the "-/+ " indicators will flash.



The lit indicator shows the programmed time:

- 1st indicator from the left = 20 hours
- 2nd indicator from the left = 30 hours
- 3rd indicator from the left = 40 hours
- 4th indicator from the left = 50 hours

- Use the "-/+ " button to select the desired time.
- Save the selection by pressing the charcoal filter button.



If the procedure is not stored within 4 minutes of programming, the hood will automatically default to the "old" data.

⚠ WARNING
TO REDUCE THE RISK OF
FIRE, ELECTRIC SHOCK, OR
INJURY TO PERSONS,
OBSERVE THE FOLLOWING:

Before cleaning or servicing the hood, disconnect it from the power supply, see "Important Safety Instructions".

⚠ The halogen bulbs are very hot when in use. They stay hot for some time after turned off. Use caution, danger of burns.
Wet cleaning the hot bulbs will cause damage.
Wait a few minutes after turning them off before cleaning.

Cleaning the casing

Never use abrasive cleaners, scouring pads, steel wool or caustic (oven) cleaners on the hood. They **will** damage the surface.

- All external surfaces and controls can be cleaned with a mild solution of warm water and liquid dish soap applied with a soft sponge.
- Wipe dry using a soft cloth.

Do not use too much water when cleaning the controls. Water could penetrate the electronics and cause damage.

- Glass surfaces can be cleaned using a glass cleaner.

Avoid:

- cleaning agents containing soda, acids or chlorides,
- abrasive cleaning agents e.g. powder or cream cleansers,
- abrasive sponges, e.g. pot scourers or sponges which have been previously used with abrasive cleaning agents.

These will damage the surface.

The following instructions for cleaning "Stainless steel" surfaces and "Stainless steel colored controls" should be followed **in addition to** the general "Cleaning the casing" instructions.

Stainless steel

Stainless steel surfaces can be cleaned using a non-abrasive stainless steel cleaner.

To help prevent resoiling, a conditioner for stainless steel can be applied.

Stainless steel colored controls

These controls may become discolored or damaged if not cleaned regularly.
Do not use a stainless steel cleaner on these controls.


Cleaning and Care

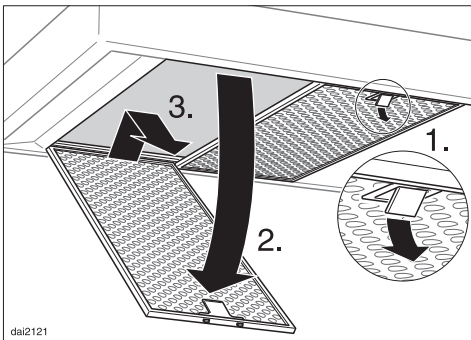
Grease filters

The reusable metal grease filters remove solid particles from the vented kitchen air (grease, dust, etc).



The grease filters should be cleaned every 3 - 4 weeks or when the grease filter indicator lights.

 A dirty filter is a fire hazard.



- To remove the grease filters pull the locking clips, **1**, forward. Lower the filter 45°, **2**, unhook it at the rear, **3**, and take it out. Support the grease filter so that it does not fall onto the cooktop.

Cleaning the grease filter

- **By hand:** use a scrub brush with a solution of warm water and mild detergent. Do not use the pure detergent, aggressive all purpose cleaners, oven sprays, abrasive cleaning agents or limescale removers. They could destroy the filter.

- **In a dishwasher:** place the filter vertically in the lower basket, making sure that the spray arm is not blocked. Use a wash program with a max. temperature of 150°F (65°C). In a Miele dishwasher use the "Normal" program. Use the recommended amount of dishwasher detergent. Overuse could destroy the filter.

Depending on the detergent, cleaning the grease filters in a dishwasher may cause permanent discoloration of the filter surface. Performance of the filter will not be affected by this discoloration.

- After cleaning, the filters can be placed on a towel to air dry.
- While the filters are removed, clean any dirt or grease from the filter casing to prevent the risk of fire.

When putting the grease filters back make sure that the locking clips are visibly facing the cooking surface.

If the filters are incorrectly installed, insert a small screwdriver into the slit along its edge to disengage it from the casing.

- After returning the grease filters, press and hold the grease filter button for 3 seconds to reset the timer. The indicator light will go out.
- If the grease filters are cleaned before the grease filter timer has reached its maximum, press the grease filter button for 6 seconds to reset the counter to zero.

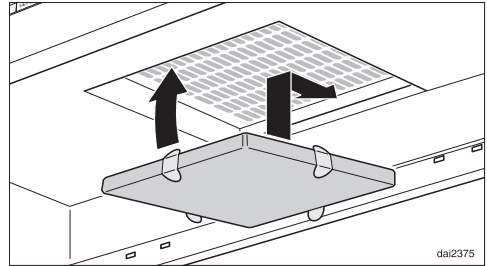
Active charcoal filter

In recirculation mode an active charcoal filter must be used in addition to the grease filters. It is designed to absorb cooking odors.

The active charcoal filter will be replaced in the canopy above the grease filters.

Replacement active charcoal filters can be ordered from Miele.

- Remove the grease filters to access the charcoal filter. See "Cleaning and Care".



- Insert the charcoal filter.

Before using:

- Program the charcoal filter timer, see "Operation / Reprogramming the charcoal filter timer".



Replace the active charcoal filter when the **charcoal filter indicator** lights, at least every 6 months or when they no longer absorb odors efficiently.

- After replacing the charcoal filter, press and hold the charcoal filter button for about 3 seconds to reset the charcoal filter timer. The indicator light will go out.

If the charcoal filter is replaced before the timer has reached its maximum, the charcoal filter button should be pressed for 6 seconds to reset the counter to zero.

Cleaning and Care

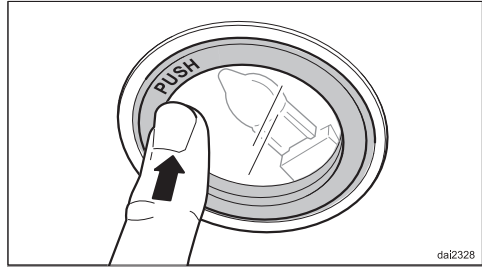
Changing the light bulbs

⚠ WARNING
TO REDUCE THE RISK OF
FIRE, ELECTRIC SHOCK, OR
INJURY TO PERSONS,
OBSERVE THE FOLLOWING:

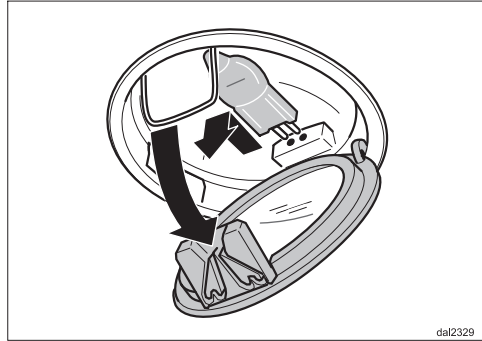
Before changing the light bulbs, disconnect the hood from the power supply, see "Important Safety Instructions".

When in use halogen bulbs become extremely hot, and can burn your hands. Do not attempt to change the bulbs until they have had sufficient time to cool.

Do not touch the bulb surface. Fingerprints or body oils deposited on the bulb will decrease its life. Please follow the manufacturer's instructions.



dai2328



dai2329

- To change the halogen bulb, first gently press the light cover. The cover will open and can now be flipped down.
- Pull the halogen bulb from its socket, then insert a new bulb (type 12V, 20W, G4).
- Flip the light cover back up, making sure it clicks into place.

Repairs

In the event of a fault which you cannot easily fix yourself, please contact the Miele Technical Service Department.

- When contacting the Technical Service Department, please quote the model and serial number of your appliance.

These are shown on the data plate.

MieleCare

(USA only)

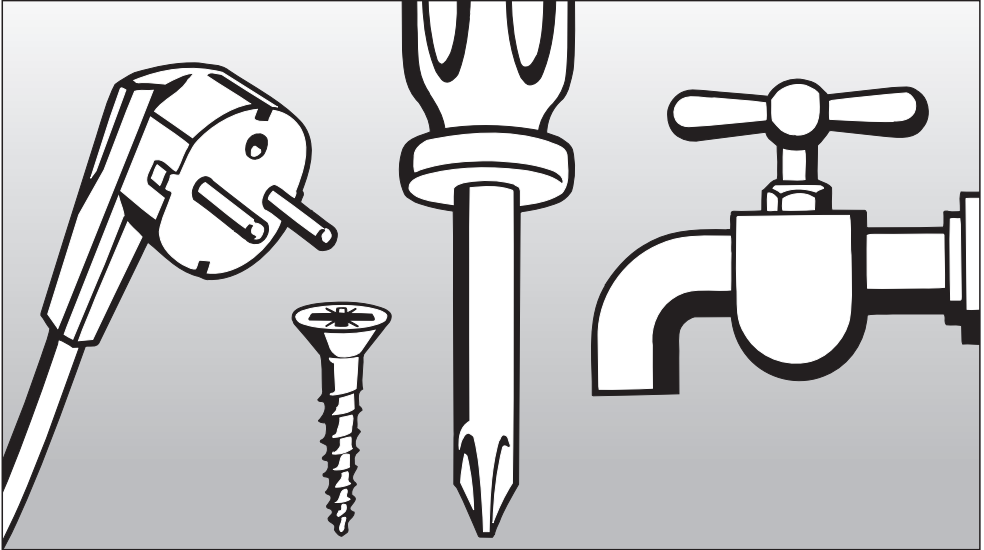
MieleCare, our Extended Service Contract program, gives you the assurance of knowing that your appliance investment is covered by 5 years of worry free ownership.

MieleCare is the only Extended Service Contract in the industry that guarantees repairs by a Miele Authorized Service Provider using genuine Miele parts. Only genuine Miele parts installed by factory trained professionals can guarantee the safety, reliability, and longevity of your Miele appliance.

Please note that unless expressly approved in writing by Miele's Service department, Extended Service Contracts offered by other providers for Miele products will not be recognized by Miele. Our goal is to prevent unauthorized (and untrained) service personnel from working on your Miele products, possibly doing further damage to them, you and/or your home.

To learn more about **MieleCare** Extended Service Contracts, please contact your appliance dealer or visit us online at:

<http://mieleusa.com/mielecare>



Installation Instructions

Read these instructions and the "Important Safety Instructions" before installing this ventilation system.

The installation steps are described in the enclosed "Installation Diagram".

Leave these instructions with the appliance for the consumer/user.

Information is subject to change. Please refer to our website to obtain the most current product specification, technical & warranty information.

Disposal of packing material

The cardboard box and packing materials protect the appliance during shipping. They have been designed to be biodegradable and recyclable. Please recycle.



DANGER

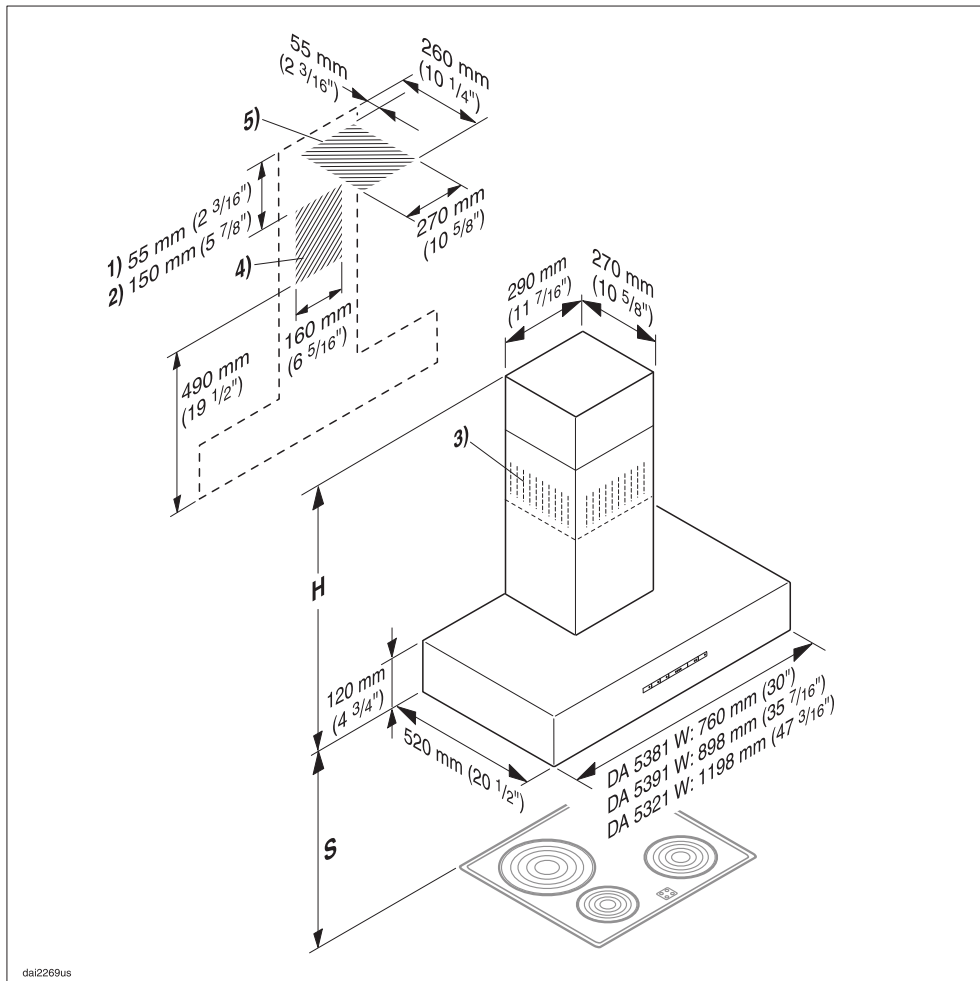
Ensure that any plastic wrappings, bags, etc., are disposed of safely and kept out of the reach of babies and young children. Danger of suffocation!

Disposal of an old appliance

Old appliances may contain materials that can be recycled. Please contact your local recycling center about the possibility of recycling these materials.

Before discarding an old appliance, disconnect it from the electrical supply and cut off the power cord to prevent it from becoming a hazard.

Appliance dimensions




- 1) Air extraction mode
- 2) Recirculation mode
- 3) Air extraction vent installed upwards

4) and 5) Installation area
Wall/ceiling area respectively for vent
hole and outlet installation.
For recirculation mode only 4)
and only outlet installation.

Vent hole 6" (150 mm) with reducing
collar 5" (125 mm).

Appliance dimensions

 Cut out area in wall or ceiling for entrance of 6" (150 mm) ductwork or 5" (125 mm) ductwork with a reducing collar.

Distance between cooktop and hood (S)

Do not install this exhaust hood over cooktops burning solid fuel.

Provided a larger distance is not given by the manufacturer of the cooktop, follow the minimum safety distances between a cooktop and the bottom of the hood:

	Minimum distance S	
	Miele Cooktops	Non-Miele Cooktops
Electric Cooktops	24" (610 mm)	
Electric Barbeques and Fryers	26" (660 mm)	
Multiburner Gas cooktops ≤ 43,000 BTU/hr (12.6 KW) and no burner > 15,000 BTU/hr (4.5 KW)	26" (660 mm)	30" (760 mm)
Multiburner Gas cooktops ≤ 73,800 BTU/hr (21.6 KW) and no burner > 16,500 BTU/hr (4.8 KW)	30" (760 mm)	
Multiburner Gas cooktops > 73,800 BTU/hr (21.6 KW) or one of the burners > 16,500 BTU/hr (4.8 KW)	Not possible	
Single Burner Gas Cooktops ≤ 20,500 BTU/hr (6 KW)	26" (660 mm)	30" (760 mm)
Single Burner Gas Cooktops > 20,500 BTU/hr (6 KW) ≤ 27,600 BTU/hr (8.1 KW)	30" (760 mm)	
Single Burner Gas Cooktops > 27,600 BTU/hr (8.1 KW)	Not possible	

Appliance dimensions

- If several gas surfaces are installed under the hood, the total output must be considered when determining the minimum safety distance.
- Be sure to follow the minimum safety distances given by the gas cooktop manufacturer to easily flammable materials e.g. upper cabinets.
- If local building codes require a greater safety distance, follow their requirement.
- If there is more than one appliance beneath the hood and they have different minimum safety distances always select the greater distance.

Standard unit height (H):

Air Extraction	29 ⁵ / ₁₆ " - 41 ⁹ / ₁₆ "
.	(745 - 1055 mm)
Recirculation	34 ⁷ / ₁₆ " - 46 ¹¹ / ₁₆ "
.	(875 - 1185 mm)

To fit the lower chimney section, the distance between the top of the chimney and the ceiling must be at least $\frac{7}{8}$ " (20 mm).

See "Important Safety Instructions" for further information.

The installation procedure differs depending on the model and venting method.

Before beginning the installation:

- Read all instructions.
- Determine height (**S**), regarding the user's body height, i.e. a comfortable height for the user.
However, the greater the distance the less effectively cooking odors are drawn in.

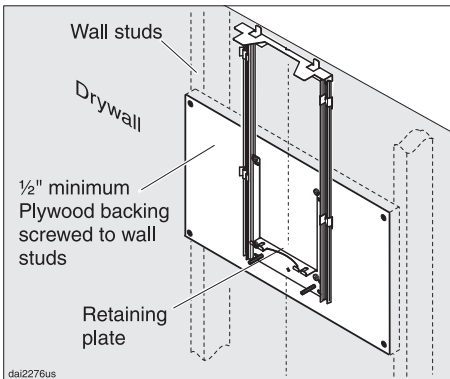
If the hood is fitted flush to the ceiling, regard the possible unit height when selecting the installation height.

Plywood backing

The majority of the weight of the installed ventilation system will be supported by the lower retaining plate. It must be firmly attached to the stud framing **behind** the drywall. If studs are not available in the required locations, a plywood backing (min. ½" (13 mm) thick) spanning at least two studs **must** be installed. Failure to adequately support the weight as stated may result in the ventilation system falling off the wall, causing personal injury and property damage.

(If plywood backing is not needed, proceed to the included "Installation diagram".)

To install a plywood backing



- Find the studs to the left and right of the mounting location by tapping the wall or using a stud finder.
- Mark a vertical cutting line along the center of each stud.

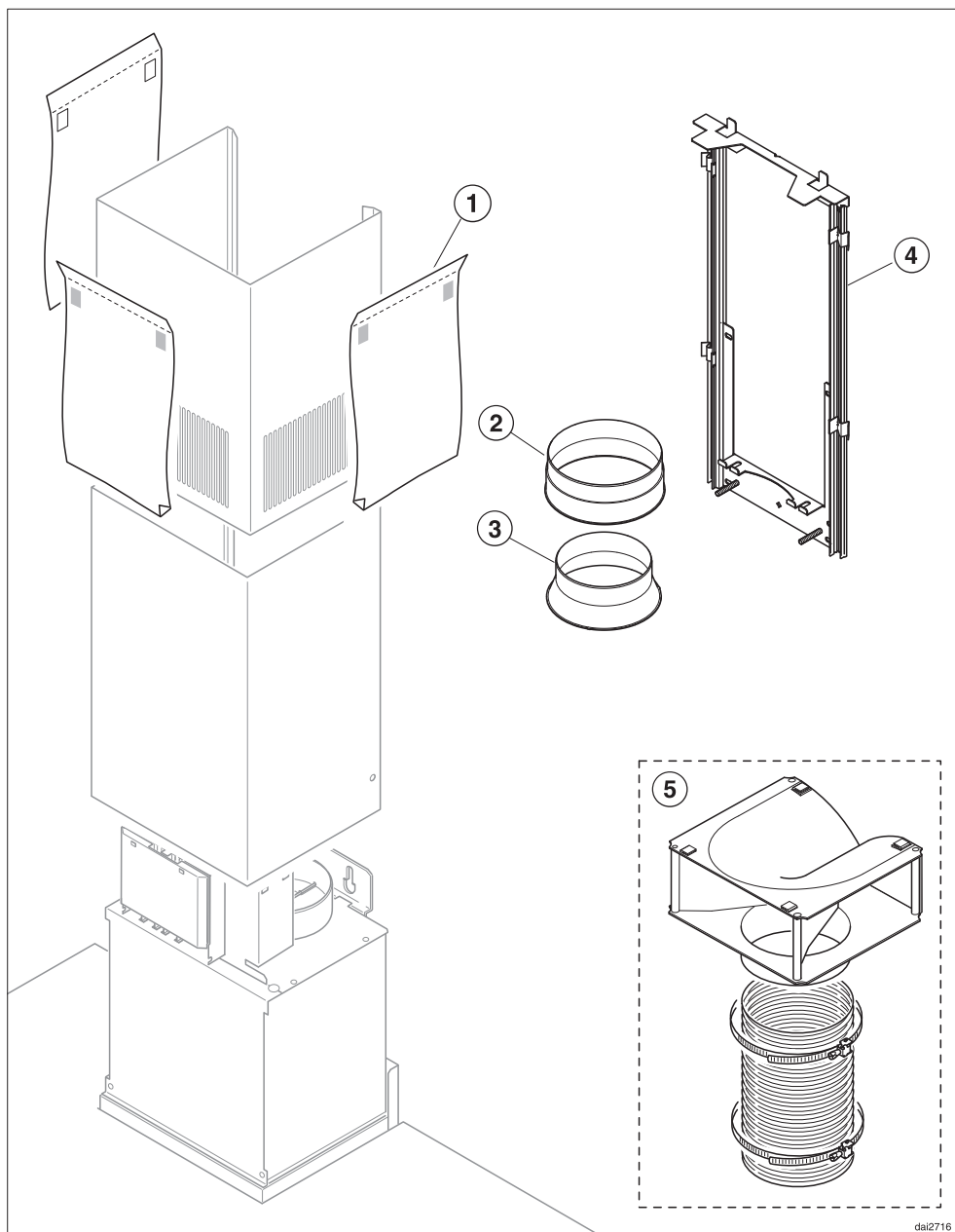
CAUTION

When cutting or drilling into the wall or ceiling, do not damage electrical wiring and other hidden utilities.

- Remove the drywall between the cutting lines and replace it with plywood of a matching thickness (min. ½" (13 mm) thick). Tape the joints and refinish the wall.
- Proceed to the enclosed "Installation diagram" to complete the installation.

- Determine and mark the location of the retaining plate for the canopy as outlined on the "Installation diagram".
- Make a cutting line 3" (76 mm) above and 3" (76 mm) below the outline of the retaining plate.

Installation



dal2716

① **3 protective shields** to prevent scratches to the chimney during installation.

② **1 vent collar** for use with 6" (150 mm) exhaust ducting

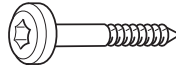
③ **1 reducing collar** for use with 5" (125 mm) exhaust ducting.

④ **Telescopic retaining plate** secures the chimney extension

⑤ **Installation kit for recirculation mode** contains diverter, hose and hose clips (optional accessory)

CAUTION

To avoid risk of hand or other injury, avoid contact with sharp edges during the assembly and installation process.



8 large headed screws 5 x 40 mm

for securing the retaining plates and the canopy.

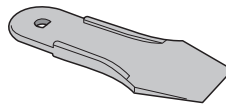
(S8 wall anchors included in the packaging are not for use in USA / CDN.)



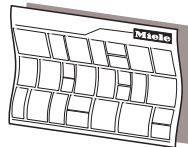
2 M 6 locking nuts for securing the motor assembly.



2 screws 3.9 x 7.5 mm for securing the chimney.



1 lever for dismantling the chimney



Installation diagram

00031682

00256130

00033716

dfr30ml6

Installation

Protective film

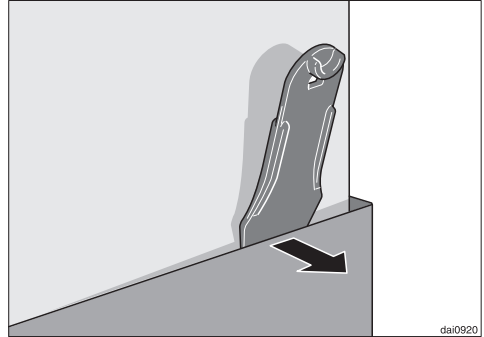
The casing is covered with a protective film to prevent scratching during transport.

- Peel off the film before installing the casing parts.

Dismantling

If the hood needs to be disassembled, follow the instructions on the "Installation diagram" in the reverse order.

A lever is enclosed for easier removal of the chimney extension.



- After removing the screws from the chimney, slide the lever between the chimney and the chimney extension and gently apply pressure to ease the chimney from its hooks.

WARNING

Danger of toxic fumes.

Gas cooking appliances release carbon monoxide that can be harmful or fatal if inhaled.

To reduce the risk of fire and to properly exhaust air, the exhaust gases extracted by the hood should be vented outside of the building only.

Do not vent exhaust air into spaces within walls or ceilings or in attics, crawl spaces or garages.

To reduce the risk of fire, only use metal ductwork.

- The ducting should be as short and straight as possible.
- Use ductwork with a wide radius.
- The exhaust duct must not be bent or compressed.
- Make sure all connections are secure.
- Where the ductwork is horizontal, it must slope away from the hood at least $\frac{1}{8}$ " per foot (1 cm per meter) to prevent condensation dripping into the appliance.
- If the exhaust is ducted through an outside wall, a Telescopic Wall Vent can be used.

Please read and follow the **"IMPORTANT SAFETY INSTRUCTIONS"** to reduce the risk of personal injury. Follow all local building codes when installing the hood.

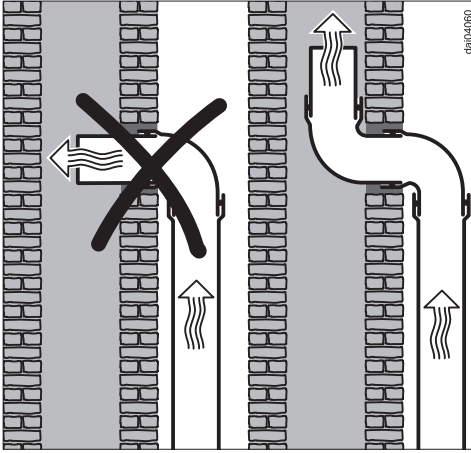
Exhaust ducting and connections

Use smooth or flexible pipework made from approved non-flammable materials for exhaust ducting.

To achieve the most efficient air extraction and quietest noise levels, consider the following:

- The diameter of the ductwork should not be less than 6" (150 mm).
- If flat ducting is used, the cross section must not be smaller than the cross section of the ventilation exhaust.

Air extraction



- If the exhaust is ducted into an inactive flue, the air must be expelled parallel to the flow direction of the flue.

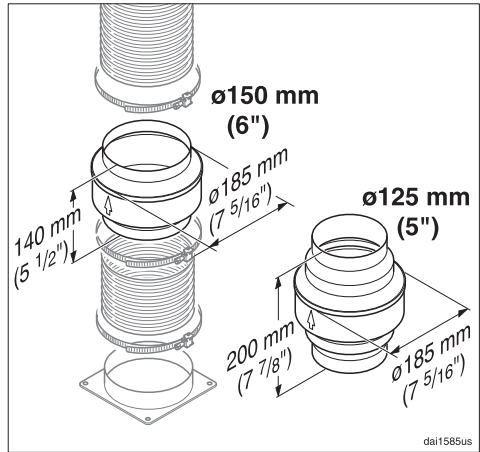
Never connect an exhaust hood to an active chimney, dryer vent, flue, or room venting ductwork. Seek professional advice before connecting an exhaust hood vent to an existing, inactive chimney or vent flue.

Important

If the ductwork runs through rooms, ceilings, garages, etc. where temperature variations exist, it may need to be insulated to reduce condensation.

Condensate trap

optional accessory



In some cases, a condensate trap may also be required to collect and evaporate any condensate which may occur. This optional accessory is available for ducts 5" (125 mm) and 6" (150 mm) in diameter.

- When installing a condensate trap, ensure that it is positioned vertically and if possible directly above the exhaust outlet.

⚠ WARNING
TO REDUCE THE RISK OF
FIRE, ELECTRIC SHOCK, OR
INJURY TO PERSONS,
OBSERVE THE FOLLOWING:

All electrical work should be performed by a qualified electrician in strict accordance with national regulations (for USA: ANSI-NFPA 70) and local safety regulations. Installation, repairs and other work by unqualified persons could be dangerous. Ensure that power to the appliance is off while installation or repair work is performed.

- Verify that the voltage, load and circuit rating information found on the data plate (located behind the grease filters), match the household electrical supply before installing the hood.
- Use only with ventilation hood cord-connection kits that have been investigated and found acceptable for use with this model hood.

If there is any question concerning the electrical connection of this appliance to your power supply, please consult a licensed electrician or contact Miele's Technical Service Department.

⚠ WARNING:
THIS APPLIANCE MUST BE
GROUNDED

Grounding Instructions

This appliance must be grounded. In the event of an electrical short circuit, grounding reduces the risk of electric shock by providing a path of least resistance. This appliance is equipped with a cord having a grounding wire with a grounding plug. The plug must be plugged into an outlet that is properly installed and grounded.

WARNING - Improper grounding can result in a risk of electric shock.

If there is any doubt, have the electrical system of the house checked by a qualified electrician.

Do not use an extension cord. If the power supply cord is too short, have a qualified electrician install an outlet near the appliance.

Important

The hood comes equipped with a 2.5 ft (0.75 m) power cord with a NEMA 5-15 molded plug for connection to a 120 VAC, 60 Hz, 15 A power outlet.

Technical data

Maximum load

DA 5381 W / DA 5391 W 430 W

DA 5321 W 450 W

Overhead lighting

DA 5381 W / DA 5391 W 4 x 20 W

DA 5321 W. 5 x 20 W

Voltage 120 V

Frequency 60 Hz

Circuit rating. 15 A

Weight

DA 5381W 75 lb (34 kg)

DA 5391W 77.2 lb (35 kg)

DA 5321W 82.7 lb (37.5 kg)

Please have the model and serial number of your appliance available before contacting Technical Service.

The Miele logo is displayed in a bold, white, serif font against a solid black rectangular background.

**U.S.A.
Miele, Inc.**

National Headquarters

9 Independence Way
Princeton, NJ 08540
Phone: 800-843-7231
609-419-9898
Fax: 609-419-4298
www.mieleusa.com

**Technical Service & Support
Nationwide**

Phone: 800-999-1360
Fax: 888-586-8056

TechnicalService@mieleusa.com

**Canada
Miele Limited**

Headquarters and Showroom

161 Four Valley Drive
Vaughan, ON L4K 4V8
Phone: 800-643-5381
905-660-9936
Fax: 905-532-2290
www.miele.ca
professional@miele.ca
(commercial enquiries)

MieleCare National Service

Phone: 800-565-6435
905-532-2272
Fax: 905-532-2292
customercare@miele.ca
(general and technical enquiries)

Germany

Miele & Cie. KG
Carl-Miele-Straße 29
33332 Gütersloh

DA 5321 W
DA 5381 W
DA 5391 W