

JENN-AIR® INDOOR/OUTDOOR WARMING DRAWER

TIROIR-RÉCHAUD JENN-AIR® POUR USAGE INTÉRIEUR/EXTÉRIEUR

Use & Care Guide

For questions about features, operation/performance, parts, accessories, or service in the U.S.A., call:

1-800-JENNAIR (1-800-536-6247) or visit our website at **www.jennair.com**.

In Canada, call: **1-800-JENNAIR (1-800-536-6247)**, or visit our website at **www.jennair.ca**.

Guide d'utilisation et d'entretien

Au Canada, pour assistance, installation ou service, composez le **1-800-JENNAIR (1-800-536-6247)** ou visitez notre site web à **www.jennair.ca**.

Table of Contents/Table des matières 2

JENN-AIR®

W10736617A

TABLE OF CONTENTS

WARMING DRAWER SAFETY	3
Electrical Requirements	4
WARMING DRAWER USE	4
Control Knob	4
Moist-Dry Slide Control.....	5
Setting the Controls	5
Warming Cookware	6
Positioning Racks and Pans	6
Proofing Bread	6
Slow Roast Function	6
Panel Kit	7
WARMING DRAWER CARE	7
Drawer Slides	7
Warming Drawer	7
General Cleaning.....	7
TROUBLESHOOTING	8
ASSISTANCE OR SERVICE	9
In the U.S.A.	9
In Canada	9
Accessories	9
WARRANTY	10

TABLE DES MATIÈRES

SÉCURITÉ DU TIROIR-RÉCHAUD	11
Spécifications électriques	13
UTILISATION DU TIROIR-RÉCHAUD	13
Bouton de commande	13
Curseur de réglage Moist-Dry (humide-sec).....	14
Réglage des commandes	14
Ustensiles de réchauffage.....	15
Positionnement des grilles et des ustensiles.....	15
Levée du pain	15
Fonction de cuisson lente	16
Ensemble de panneaux.....	16
ENTRETIEN DU TIROIR-RÉCHAUD	16
Glissières du tiroir.....	16
Tiroir-réchaud	16
Nettoyage général	17
DÉPANNAGE	17
ASSISTANCE OU SERVICE	18
Au Canada	18
Accessoires	18
GARANTIE	19

WARMING DRAWER SAFETY

Your safety and the safety of others are very important.

We have provided many important safety messages in this manual and on your appliance. Always read and obey all safety messages.



This is the safety alert symbol.

This symbol alerts you to potential hazards that can kill or hurt you and others.

All safety messages will follow the safety alert symbol and either the word "DANGER" or "WARNING."

These words mean:

⚠ DANGER

You can be killed or seriously injured if you don't immediately follow instructions.

⚠ WARNING

You can be killed or seriously injured if you don't follow instructions.

All safety messages will tell you what the potential hazard is, tell you how to reduce the chance of injury, and tell you what can happen if the instructions are not followed.

IMPORTANT SAFETY INSTRUCTIONS

WARNING: To reduce the risk of fire, electrical shock, injury to persons, or damage when using the warming drawer, follow basic precautions, including the following:

- Read all instructions.
- Proper Installation – Be sure the warming drawer is properly installed and grounded by a qualified technician.
- Never Use the Warming Drawer for Warming or Heating the Room.
- Do Not Leave Children Alone – Children should not be left alone or unattended in area where warming drawer is in use. They should never be allowed to sit or stand on any part of the warming drawer.
- Wear Proper Apparel – Loose-fitting or hanging garments should never be worn while using the warming drawer.
- User Servicing – Do not repair or replace any part of the warming drawer unless specifically recommended in the manual. All other servicing should be referred to a qualified technician.
- Storage in Warming Drawer – Flammable materials should not be stored in a warming drawer.
- Do Not Use Water on Grease Fires – Smother fire or flame or use dry chemical or foam-type extinguisher.
- Use Only Dry Potholders – Moist or damp potholders on hot surfaces may result in burns from steam. Do not let potholder touch hot heating elements. Do not use a towel or other bulky cloth.
- Use Care When Opening Drawer – Let hot air or steam escape before removing or replacing food.
- Do Not Heat Unopened Food Containers – Build-up of pressure may cause container to burst and result in injury.
- Placement of Warming Drawer Racks – Always place warming drawer racks in desired location while warming drawer is cool. If rack must be moved while warming drawer is hot, do not let potholder contact hot heating element in warming drawer.
- DO NOT TOUCH HEATING ELEMENTS OR INTERIOR SURFACES OF WARMING DRAWER – Heating elements may be hot even though they are dark in color. Interior surfaces of a warming drawer become hot enough to cause burns. During and after use, do not touch, or let clothing or other flammable materials contact heating elements or interior surfaces of warming drawer until they have had sufficient time to cool. Other surfaces of the warming drawer may become hot enough to cause burns – among these surfaces are warming drawer vent openings and surfaces near these openings and warming drawer doors.
- Do not touch hot surfaces. Use handles or knobs.
- Do not operate any appliance with a damaged cord or plug or after the appliance malfunctions or has been damaged in any manner. Return appliance to the nearest authorized service facility for examination, repair or adjustment.
- The use of accessory attachments not recommended by the warming drawer manufacturer may cause injuries.
- Do not use warming drawer for other than intended use.
- To reduce risk of electric shock, do not mount over a sink.
- This product is designed for household use only.

SAVE THESE INSTRUCTIONS

State of California Proposition 65 Warnings:

WARNING: This product contains one or more chemicals known to the State of California to cause cancer.

WARNING: This product contains one or more chemicals known to the State of California to cause birth defects or other reproductive harm.

Electrical Requirements

⚠ WARNING



Electrical Shock Hazard

Plug into a grounded 3 prong outlet.

Do not remove ground prong.

Do not use an adapter.

Do not use an extension cord.

Failure to follow these instructions can result in death, fire, or electrical shock.

It is important to make sure you have the proper electrical connection:

A 115 Volt, 60 Hz., AC only 15- or 20-amp electrical supply, properly grounded in accordance with the National Electrical Code and local codes and ordinances, is required.

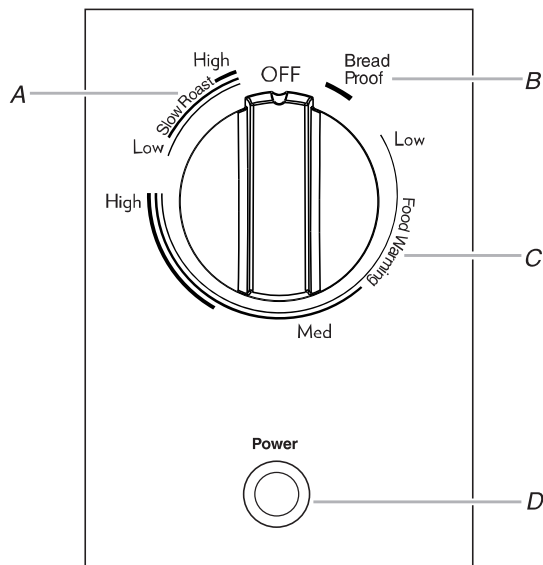
It is recommended that a separate circuit, serving only your warming drawer, be provided.

Recommended Grounding Method

The warming drawer must be grounded. This warming drawer is equipped with a power supply cord having a 3 prong grounding plug. To minimize possible shock hazard, the cord must be plugged into a mating, 3 prong, grounding-type wall receptacle, grounded in accordance with the National Electrical Code and local codes and ordinances. If mating wall receptacle is not available, it is the personal responsibility of the customer to have a properly grounded, 3 prong wall receptacle installed by a qualified electrician.

WARMING DRAWER USE

Control Panel



- A. Slow roast temperature control zone
- B. Proofing bread control position
- C. Warming drawer temperature control zone
- D. Power indicator light

Control Knob

⚠ WARNING

Food Poisoning Hazard

Do not let food sit for more than one hour before or after cooking.

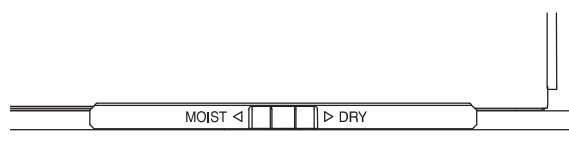
Doing so can result in food poisoning or sickness.

Push in and turn the control knob to turn on the warming drawer. The blue power indicator light will turn on and remain on while the warming drawer is in operation.

When finished, turn the control knob to OFF to turn off the warming drawer. When the warming drawer is turned off, the blue power indicator light will go out, and the drawer will begin to cool.

The temperature is controlled by rotating the control knob to the desired setting. The temperature setting ranges from Low to High on the warming drawer control to keep heated foods warm at the selected temperatures.

Moist-Dry Slide Control



The Moist-Dry slide control allows you to open or close the vent slots in the door. The MOIST setting holds moisture in, while the DRY setting allows steam and moisture to escape from the drawer.

NOTE: Condensation may form on inner surfaces. This is normal.

To keep foods moist, slide control to MOIST, closing the vents. Closing the vents will seal the drawer and keep hot foods soft and moist.

To keep foods crisp, slide control to DRY, opening the vents. Opening the vents releases moisture from the drawer and keeps hot foods crisp and dry. See the Warming Drawer Temperature Chart in the “Setting the Controls” section.

Setting the Controls

⚠ WARNING

Food Poisoning Hazard

Do not let food sit for more than one hour before or after cooking.

Doing so can result in food poisoning or sickness.

The Indoor/Outdoor Warming Drawer is ideal for keeping hot cooked foods at serving temperature. It is designed to operate properly either indoors or outdoors at temperatures down to 32°F (0°C). If the drawer is operated at temperatures colder than 32°F (0°C), performance may be affected.

Different types of food may be placed in the warming drawer at the same time.

When keeping several types of food hot, use the setting for the highest temperature food in the warming drawer. Place foods requiring the highest temperature on the bottom of the drawer and those foods requiring the lowest temperature on the elevated rack.

For best results, do not hold foods in the warming drawer longer than 1 hour. For smaller quantities or heat-sensitive foods, such as eggs, do not hold longer than 30 minutes.

Food must be cooked and heated to serving temperature before being placed in the warming drawer. Cover foods with a lid.

Breads, pastries, and fruit pies may be heated from room temperature on the High setting. Remove food from plastic bags and place in oven-safe container.

Oven-safe serving dishes and dinner plates can be heated while the warming drawer is preheating.

NOTE: To conserve heat, place cookware and positioning rack in the warming drawer before preheating.

To Use:

1. Push in and turn the control knob to the desired food warming setting: Low, between Low and Med (medium low), Med (medium), between Med and High (medium high), or High.

NOTE: For best results, meats, seafood, poultry and any foods containing meat, seafood or poultry should be set to medium or higher.

2. Select MOIST or DRY setting.

3. Allow warming drawer to preheat. Recommended minimum preheating times are 5 minutes for Low, 10 minutes for Med, and 20 minutes for High.

4. Push in and turn the control knob to OFF when finished.

WARMING DRAWER TEMPERATURE CHART

Different foods require different settings in order to maintain the ideal serving temperature. Use the following chart as a guide.

You can set the drawer temperature anywhere between Low and High. For best results, meats, seafood and poultry should be set to medium or higher. Cover food, if desired, to maintain heat and moisture.

When keeping several different types of food hot, set the drawer to the food requiring the highest temperature setting. Place item(s) requiring the highest temperature on the bottom of the drawer and those items requiring the lowest temperature on the rack.

FOOD	SETTING
Bacon	Med to High - DRY
Beef, medium and well-done	Med to High - MOIST
Bread, hard rolls	Med - DRY
Bread, soft rolls	Med - MOIST
Casseroles - with a crisp top	Med - DRY
Casseroles	Med - MOIST
Coffee cake	Med - MOIST
Cooked cereal	Med to High - MOIST
Eggs	High - MOIST
Fish, Seafood (no breading)	High - MOIST
Fish, Seafood (breaded)	High - DRY
Fried foods	High - DRY
Gravy, Cream Sauces	High - MOIST
Ham	Med High - MOIST
Hors d'oeuvres (crisp)	High - DRY
Lamb	Med to High - MOIST
Pancakes, waffles	High - DRY
Pies, single crust	Med - DRY
Pies, double crust	Med to Low - DRY
Pizza	High - DRY
Pork	Med to High - MOIST
Potatoes, baked	Med - DRY
Potatoes, mashed	Med to High - MOIST
Poultry	High - DRY
Vegetables	Med to High - MOIST

Warming Cookware

Use only cookware approved for oven use. Follow the cookware manufacturer's instructions.

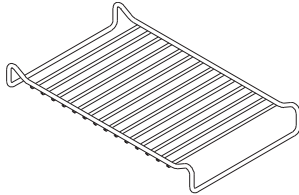
Positioning Racks and Pans

Positioning Rack

The 2 racks accompanying your warming drawer will fit from front to back or side to side.

NOTE: The warming drawer must be fully opened when placing or removing racks.

Each rack raises an oven-safe container 1½" (2.86 cm) from the bottom of the drawer.



Keep the number of times the drawer is opened to a minimum in order to maintain set temperature in the warming drawer.

Optional Pans (accessory)

The warming drawer includes 2 pan support rails designed to hold a variety of serving pan sizes. Pan sizes that can be used are 1/6, 1/9, 1/3, 1/2, and 2/3. A full size serving pan can be placed across the width of the 27" (68.6 cm) and 30" (76.2 cm) warming drawer.

1/2 and 1/3 size pans may be purchased from the Jenn-Air® Customer eXperience Center. See the "Assistance or Service" section to order.

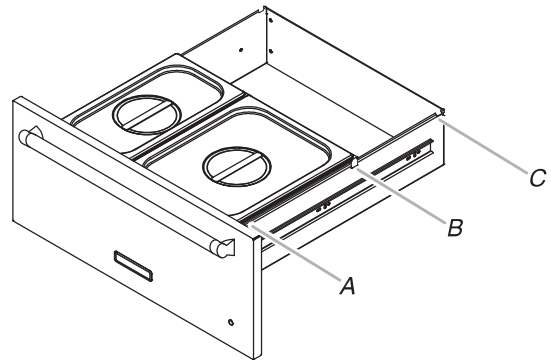
Other size serving pans can be purchased at various retailers and restaurant supply stores.

Please refer to the following chart to determine the correct positioning of the pan support rails for each of the pan sizes.

Pan Size	Pan Support Rails
Full*	Positions 1 and 3
2/3	Positions 1 and 3
1/2	Positions 1 and 3
1/3	Positions 1 and 3 or 1 and 2
1/6	Positions 1 and 2
1/9	Positions 1 and 2

*Full-size pans cannot be used with the 24" (61 cm) warming drawer.

When using serving pans, make sure the pan support rails are properly installed in the locator notch before inserting pans.



A. Position 1 pan support rail locator notch
B. Position 2 pan support rail locator notch
C. Position 3 pan support rail locator notch

Proofing Bread

Proofing bread prepares dough for baking by activating the yeast. Check dough periodically for progress.

To Proof:

1. Cover dough with lightly oiled waxed paper and place temperature safe bowl(s) on rack.
2. Set control knob to PROOF setting.
3. Place vent on MOIST setting.
4. Verify doneness by pressing 2 fingers ½" (1.27 cm) into dough. If indentation remains, the dough is ready.

For second proofing of dough, repeat steps 1 through 4.

Slow Roast Function

⚠ WARNING

Food Poisoning Hazard

Do not let food sit for more than one hour before or after cooking.

Doing so can result in food poisoning or sickness.

The Slow Roast function in the warming drawer cooks food slowly at a low temperature over a long period of time.

When the warming drawer is installed outdoors, the Slow Roast function should not be used when the temperature is below 32°F (0°C).

There are 2 settings, High and Low. Guidelines for cooking times are 4 to 5 hours for High and 8 to 10 hours for Low. Smaller quantities of food may require less time, while larger quantities may require more time.

When slow roasting, use serving pans (available for purchase) or oven-safe cookware. To order serving pans, see the "Assistance or Service" section.

Before slow roasting, thaw frozen foods completely.

IMPORTANT: Brown roasts thoroughly before slow roasting.

To Use:

1. Push in and turn control knob to the SLOW ROAST zone. Set the desired temperature, LOW or HIGH. Preheating is not necessary.
2. Place food into warming drawer. Food should be placed directly on the bottom of the warming drawer. Do not use the rack.
3. Close the warming drawer. Be sure that the warming drawer is completely closed during operation.
4. Turn control knob to OFF when finished.

Panel Kit (Accessory)

A panel kit is available for customizing the front of the warming drawer to match other Jenn-Air® home appliances. See the "Assistance or Service" section to order.

WARMING DRAWER CARE

Drawer Slides

The drawer slides allow you to fully extend the drawer for easier cleaning. If necessary, the drawer can be removed.

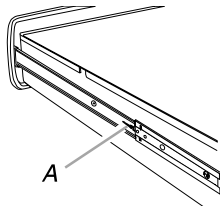
NOTE: Load capacity for the drawer is 100 lbs (45 kg).

Warming Drawer

Remove all items from inside the warming drawer, and allow the warming drawer to cool completely before attempting to remove the warming drawer.

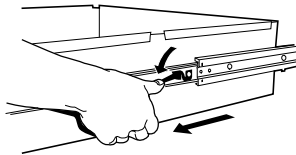
To Remove:

1. Open drawer to its fully open position.
2. Locate the black tabs on both sides of the drawer.



A. Tab

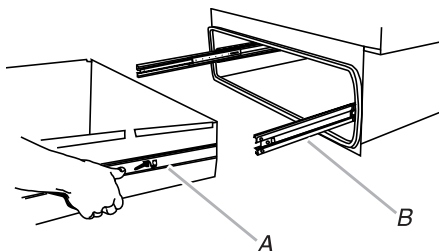
3. Press the tab down on the right side of the drawer and lift tab up on the left side of the drawer at the same time. Then pull drawer out another inch to disengage latch.



4. Hold the drawer by the sides (not by the front). Pull it slowly all the way out.

To Replace:

1. Align the drawer rails with the receiving slides.



A. Drawer rail
B. Drawer slide

2. Push drawer in all the way.
3. Gently open and close the drawer to ensure it is seated properly on the slides.

General Cleaning

IMPORTANT: Before cleaning, make sure all controls are off and the warming drawer and the drawer accessories are cool. Always follow label instructions on cleaning products.

Soap, water and a soft cloth or sponge are suggested first unless otherwise noted.

STAINLESS STEEL SURFACES

NOTE: To avoid damage to stainless steel surfaces, do not use soap-filled scouring pads, abrasive cleaners, Cooktop Cleaner, steel-wool pads, gritty washcloths or some abrasive towels. Damage may occur to stainless steel surfaces, even with one-time use.

Cleaning Method:

Rub in direction of grain to avoid damaging.

- affresh® Stainless Steel Cleaner Part Number W10355016 (not included):

See "Assistance or Service" section to order.

- Liquid detergent or all-purpose cleaner:

Rinse with clean water and dry with soft, lint-free cloth.

CONTROL KNOB

To avoid damage to the control knob, do not use steel wool, abrasive cleansers or oven cleaner.

Do not soak knob.

When replacing knob, make sure knob is in the OFF position.

Cleaning Method:

- Soap and water:

Pull knob straight away from control panel to remove. Wash, rinse and dry with a soft cloth.

WARMING DRAWER

Cleaning Method:

Routine cleaning

- Paper towel and spray glass cleaner:
Make sure drawer is cool. Follow manufacturer's instructions.
- Warm, soapy water or all-purpose cleaner and a nonabrasive, plastic scrubbing pad:
Wash, wipe with clean water and dry thoroughly.

Stubborn stains and baked-on residue

Rub in direction of grain to avoid damaging.

- Mildly abrasive cleanser or stainless-steel cleaners and a damp cloth or sponge.
Wash, wipe with clean water and dry thoroughly. Repeat if necessary.
- affresh® Kitchen and Appliance Cleaner W10355010 (not included):
See "Assistance or Service" section to order.

RACKS

Cleaning Method:

- Steel-wool pad and warm, soapy water:
Wash, rinse and dry thoroughly.

TROUBLESHOOTING

Try the solutions suggested here first in order to avoid the cost of an unnecessary service call.

Warming drawer will not operate

- **Has a household fuse blown, or has a circuit breaker tripped?**
Replace the fuse or reset the circuit breaker. If the problem continues, call an electrician.

WARNING



Electrical Shock Hazard

Plug into a grounded 3 prong outlet.

Do not remove ground prong.

Do not use an adapter.

Do not use an extension cord.

Failure to follow these instructions can result in death, fire, or electrical shock.

- **Is the power supply cord unplugged?**
Plug into a grounded 3 prong outlet.

Warming drawer does not slide properly

- **Has the drawer been mounted properly on the slides?**
See "Warming Drawer Care" section.
- **Has the drawer been overloaded?**
The weight inside the drawer should not exceed 100 lbs (45 kg).
- **Is the drawer load uneven?**
Redistribute the food to evenly balance the weight.

Excessive moisture on the warming drawer

- **Did you preheat the drawer?**
Preheat the drawer before each use. See "Warming Drawer Use" section.
- **Is the MOIST-DRY setting correct?**
Set the MOIST-DRY slide to DRY to vent the moisture.

Cooking results not what expected

- The exterior of beef and pork may become very dark, but not burnt. This is normal. The interior will remain tender and juicy. Poultry will also darken, especially in areas not covered by skin.

ASSISTANCE OR SERVICE

If you need service

Please refer to the warranty page in this manual.

If you need replacement parts

If you need to order replacement parts, we recommend that you use only factory specified parts. These factory specified parts will fit right and work right because they are made with the same precision used to build every new JENN-AIR® appliance.

To locate factory specified parts in your area, call us or your nearest JENN-AIR designated service center.

In the U.S.A.

Call the Jenn-Air Customer eXperience Center toll free:
1-800-JENNAIR (1-800-536-6247).

Our consultants provide assistance with:

- Features and specification on our full line of appliances.
- Installation information.
- Use and maintenance procedures.
- Repair parts sales.
- Specialized customer assistance (Spanish speaking, hearing impaired, limited vision, etc.).
- Referrals to local dealers, repair parts distributors and service companies. Jenn-Air designated service technicians are trained to fulfill the product warranty and provide after-warranty service, anywhere in the United States.

To locate the Jenn-Air designated service company in your area, you can also look in your telephone directory Yellow Pages.

For further assistance:

If you need further assistance, you can write to Jenn-Air with any questions or concerns at:

Jenn-Air Brand Home Appliances
Customer eXperience Center
553 Benson Road
Benton Harbor, MI 49022-2692

Web address: www.jennair.com

Please include a daytime phone number in your correspondence.

In Canada

Call the Jenn-Air Customer eXperience Centre toll free:
1-800-JENNAIR (1-800-536-6247)

Our consultants provide assistance with:

- Use and maintenance procedures.
- Repair parts sales.
- Referrals to local dealers, repair parts distributors and service companies. Jenn-Air designated service technicians are trained to fulfill the product warranty and provide after-warranty service, anywhere in Canada.

For further assistance:

If you need further assistance, you can write to:

Jenn-Air Brand Home Appliances
Customer eXperience Centre
200 - 6750 Century Ave.
Mississauga, Ontario L5N 0B7

Web address: www.jennair.ca

Please include a daytime phone number in your correspondence.

Accessories

affresh® Stainless Steel Cleaner

Order Part Number W10355016

affresh® Kitchen and Appliance Cleaner

Order Part Number W10355010

Black Panel Kit - For Model JWD2030WX

Order Part Number JWD2130WB

Set of 5 Serving Pans

Order Part Number DRAWERPANS

1/2 Size Serving Pan

Order Part Number W10242695A

1/3 Size Serving Pan

Order Part Number W10242694A

JENN-AIR® MAJOR APPLIANCE LIMITED WARRANTY

ATTACH YOUR RECEIPT HERE. PROOF OF PURCHASE IS REQUIRED TO OBTAIN WARRANTY SERVICE.

Please have the following information available when you call the Customer eXperience Center:

- Name, address and telephone number
- Model number and serial number
- A clear, detailed description of the problem
- Proof of purchase including dealer or retailer name and address

IF YOU NEED SERVICE:

1. Before contacting us to arrange service, please determine whether your product requires repair. Some questions can be addressed without service. Please take a few minutes to review the Troubleshooting or Problem Solver section of the Use and Care Guide, scan the QR code on the right to access additional resources, or visit <https://jennair.custhelp.com>.
2. All warranty service is provided exclusively by our authorized Jenn-Air Service Providers. In the U.S. and Canada, direct all requests for warranty service to:

Jenn-Air Customer eXperience Center
1-800-JENNAIR (1-800-536-6247)



<https://jennair.custhelp.com>

If outside the 50 United States or Canada, contact your authorized Jenn-Air dealer to determine whether another warranty applies.

ONE YEAR LIMITED WARRANTY

WHAT IS COVERED

For one year from the date of purchase, when this major appliance is installed, operated and maintained according to instructions attached to or furnished with the product, Jenn-Air brand of Whirlpool Corporation or Whirlpool Canada LP (hereafter "Jenn-Air") will pay for Factory Specified Replacement Parts and repair labor to correct defects in materials or workmanship that existed when this major appliance was purchased, or at its sole discretion replace the product. In the event of product replacement, your appliance will be warranted for the remaining term of the original unit's warranty period.

YOUR SOLE AND EXCLUSIVE REMEDY UNDER THIS LIMITED WARRANTY SHALL BE PRODUCT REPAIR AS PROVIDED HEREIN. Service must be provided by a Jenn-Air designated service company. This limited warranty is valid only in the United States or Canada and applies only when the major appliance is used in the country in which it was purchased. This limited warranty is effective from the date of original consumer purchase. Proof of original purchase date is required to obtain service under this limited warranty.

WHAT IS NOT COVERED

1. Commercial, non-residential, multiple-family use, or use inconsistent with published user, operator or installation instructions.
2. In-home instruction on how to use your product.
3. Service to correct improper product maintenance or installation, installation not in accordance with electrical or plumbing codes or correction of household electrical or plumbing (i.e. house wiring, fuses or water inlet hoses).
4. Consumable parts (i.e. light bulbs, batteries, air or water filters, preservation solutions, etc.).
5. Conversion of products from natural gas or L.P. gas.
6. Damage from accident, misuse, abuse, fire, floods, acts of God or use with products not approved by Jenn-Air.
7. Repairs to parts or systems to correct product damage or defects caused by unauthorized service, alteration or modification of the appliance.
8. Cosmetic damage including scratches, dents, chips, and other damage to the appliance finishes unless such damage results from defects in materials and workmanship and is reported to Jenn-Air within 30 days.
9. Discoloration, rust or oxidation of surfaces resulting from caustic or corrosive environments including but not limited to high salt concentrations, high moisture or humidity or exposure to chemicals.
10. Food or medicine loss due to product failure.
11. Pick-up or delivery. This product is intended for in-home repair.
12. Travel or transportation expenses for service in remote locations where an authorized Jenn-Air servicer is not available.
13. Removal or reinstallation of inaccessible appliances or built-in fixtures (i.e. trim, decorative panels, flooring, cabinetry, islands, countertops, drywall, etc.) that interfere with servicing, removal or replacement of the product.
14. Service or parts for appliances with original model/serial numbers removed, altered or not easily determined.

The cost of repair or replacement under these excluded circumstances shall be borne by the customer.

DISCLAIMER OF IMPLIED WARRANTIES

IMPLIED WARRANTIES, INCLUDING ANY IMPLIED WARRANTY OF MERCHANTABILITY OR IMPLIED WARRANTY OF FITNESS FOR A PARTICULAR PURPOSE, ARE LIMITED TO ONE YEAR OR THE SHORTEST PERIOD ALLOWED BY LAW. Some states and provinces do not allow limitations on the duration of implied warranties of merchantability or fitness, so this limitation may not apply to you. This warranty gives you specific legal rights, and you also may have other rights that vary from state to state or province to province.

DISCLAIMER OF REPRESENTATIONS OUTSIDE OF WARRANTY

Jenn-Air makes no representations about the quality, durability, or need for service or repair of this major appliance other than the representations contained in this warranty. If you want a longer or more comprehensive warranty than the limited warranty that comes with this major appliance, you should ask Jenn-Air or your retailer about buying an extended warranty.

LIMITATION OF REMEDIES; EXCLUSION OF INCIDENTAL AND CONSEQUENTIAL DAMAGES

YOUR SOLE AND EXCLUSIVE REMEDY UNDER THIS LIMITED WARRANTY SHALL BE PRODUCT REPAIR AS PROVIDED HEREIN. JENN-AIR SHALL NOT BE LIABLE FOR INCIDENTAL OR CONSEQUENTIAL DAMAGES. Some states and provinces do not allow the exclusion or limitation of incidental or consequential damages, so these limitations and exclusions may not apply to you. This warranty gives you specific legal rights, and you also may have other rights that vary from state to state or province to province.

SÉCURITÉ DU TIROIR-RÉCHAUD

Votre sécurité et celle des autres est très importante.

Nous donnons de nombreux messages de sécurité importants dans ce manuel et sur votre appareil ménager. Assurez-vous de toujours lire tous les messages de sécurité et de vous y conformer.



Voici le symbole d'alerte de sécurité.

Ce symbole d'alerte de sécurité vous signale les dangers potentiels de décès et de blessures graves à vous et à d'autres.

Tous les messages de sécurité suivront le symbole d'alerte de sécurité et le mot "DANGER" ou "AVERTISSEMENT". Ces mots signifient :

⚠ DANGER

Risque possible de décès ou de blessure grave si vous ne suivez pas immédiatement les instructions.

⚠ AVERTISSEMENT

Risque possible de décès ou de blessure grave si vous ne suivez pas les instructions.

Tous les messages de sécurité vous diront quel est le danger potentiel et vous disent comment réduire le risque de blessure et ce qui peut se produire en cas de non-respect des instructions.

IMPORTANTES INSTRUCTIONS DE SÉCURITÉ

AVERTISSEMENT : Pour réduire le risque d'incendie, de choc électrique, de blessures ou de dommages lors de l'utilisation du tiroir-réchaud, il convient d'observer certaines précautions élémentaires dont les suivantes :

- Lire toutes les instructions.
- Installation appropriée – S'assurer que le tiroir-réchaud est correctement installé et relié à la terre par un technicien qualifié.
- Ne jamais utiliser le tiroir-réchaud pour réchauffer ou chauffer la pièce.
- Ne pas laisser les enfants seuls – Les enfants ne doivent pas être laissés seuls ou sans surveillance dans la pièce où le tiroir-réchaud est en service. Ne jamais laisser les enfants s'asseoir ou se tenir sur une partie quelconque du tiroir-réchaud.
- Porter des vêtements appropriés – Des vêtements amples ne doivent jamais être portés pendant l'utilisation du tiroir-réchaud.
- Entretien par l'utilisateur – Ne pas réparer ni remplacer toute pièce du tiroir-réchaud si ce n'est pas spécifiquement recommandé dans le manuel. Toute autre opération d'entretien ou de réparation doit être confiée à un technicien qualifié.
- Remisage dans le tiroir-réchaud – Les matériaux inflammables ne doivent pas être remisés dans le tiroir-réchaud.
- Ne pas utiliser d'eau pour éteindre un feu de graisse – Étouffer le feu ou les flammes ou utiliser un extincteur à produits chimiques secs, ou un extincteur à mousse.
- N'utiliser que des mitaines sèches – Des mitaines mouillées ou humides sur des surfaces chaudes peuvent provoquer des brûlures provenant de la vapeur. Ne pas laisser les mitaines toucher les éléments chauffants. Ne pas utiliser une serviette ou un autre chiffon épais.
- Ouvrir la porte du tiroir avec soin – Laisser l'air chaud ou la vapeur s'échapper avant d'enlever ou de replacer les aliments.
- Ne pas chauffer des contenants d'aliments non ouverts – L'accumulation de pression peut faire exploser le contenant et causer des blessures.
- Positionnement des grilles du tiroir-réchaud – Toujours placer la grille du tiroir-réchaud à l'endroit voulu lorsque le tiroir-réchaud est froid. Si la grille doit être déplacée pendant que le tiroir-réchaud est chaud, ne pas laisser les mitaines toucher l'élément chaud de chauffage dans le tiroir-réchaud.
- NE PAS TOUCHER LES ÉLÉMENTS DE CHAUFFAGE OU LES SURFACES INTÉRIEURES DU TIROIR-RÉCHAUD – Les éléments chauffants peuvent être chauds même lorsqu'ils ont une teinte foncée. Les surfaces intérieures du tiroir-réchaud deviennent assez chaudes pour causer des brûlures. Pendant et après l'utilisation, ne pas toucher les éléments de chauffage ou ne pas laisser les vêtements ou autres matériaux inflammables venir en contact avec les éléments chauffants ou les surfaces intérieures du tiroir-réchaud avant qu'ils aient suffisamment refroidi. D'autres surfaces du tiroir-réchaud peuvent devenir assez chaudes pour causer des brûlures – ces surfaces comprennent les ouvertures de l'évent et du tiroir-réchaud, les surfaces près de ces ouvertures et la porte du tiroir-réchaud.
- Ne pas toucher les surfaces chaudes. Utiliser les poignées ou boutons.
- Ne pas faire fonctionner un appareil dont le cordon ou la prise est endommagé(e), lorsque l'appareil ne fonctionne pas correctement ou lorsqu'il a été endommagé d'une quelconque façon. Retourner l'appareil au centre de service agréé le plus proche pour examen, réparation ou réglage.
- L'utilisation d'accessoires de fixation non recommandés par le fabricant du tiroir-réchaud peut causer des blessures.
- Ne pas utiliser le tiroir-réchaud pour une utilisation autre que celle pour laquelle il a été conçu.
- Pour réduire le risque de choc électrique, ne pas monter l'appareil au-dessus d'un évier.
- Ce produit est conçu pour un usage domestique uniquement.

CONSERVEZ CES INSTRUCTIONS

Avertissements de la proposition 65 de l'État de Californie :

AVERTISSEMENT : Ce produit contient au moins un produit chimique connu par l'État de Californie pour être à l'origine de cancers.

AVERTISSEMENT : Ce produit contient au moins un produit chimique connu par l'État de Californie pour être à l'origine de malformations et autres déficiences de naissance.

Spécifications électriques

⚠ AVERTISSEMENT



Risque de choc électrique

Brancher sur une prise à 3 alvéoles reliée à la terre.

Ne pas enlever la broche de liaison à la terre.

Ne pas utiliser un adaptateur.

Ne pas utiliser un câble de rallonge.

Le non-respect de ces instructions peut causer un décès, un incendie ou un choc électrique.

Il est important de vous assurer d'avoir la bonne connexion électrique :

Une source d'alimentation de 115 volts, 60 Hz, type 15 ou 20 ampères CA seulement, correctement mise à la terre conformément au Code national de l'électricité et aux codes et règlements locaux, est nécessaire.

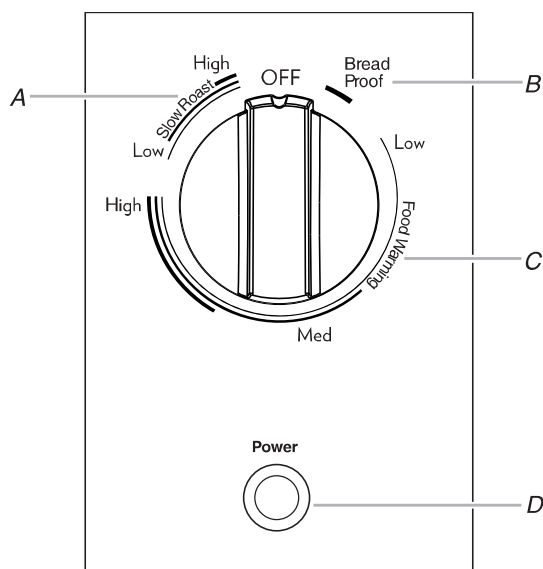
Il est recommandé d'utiliser un circuit indépendant pour alimenter uniquement votre tiroir-réchaud.

Méthode recommandée de mise à la terre

Ce tiroir-réchaud doit être mis à la terre. L'appareil comporte un cordon d'alimentation électrique à trois broches pour la mise à la terre. Pour minimiser les risques de choc électrique, le cordon d'alimentation électrique doit être branché sur une prise de courant murale mise à la terre correspondante à trois alvéoles où la mise à la terre a été faite conformément au Code national de l'électricité et aux codes et règlements locaux. Si une prise murale correspondante n'est pas disponible, il incombe au client de faire installer par un électricien qualifié une prise murale à 3 alvéoles correctement mise à la terre.

UTILISATION DU TIROIR-RÉCHAUD

Tableau de commande



- A. Zone de commande de la température de cuisson lente
- B. Position de commande de levée du pain
- C. Zone de commande de la température du tiroir-réchaud
- D. Témoin d'alimentation

Bouton de commande

⚠ AVERTISSEMENT

Risque d'empoisonnement alimentaire

Ne pas laisser des aliments reposer plus d'une heure avant ou après la cuisson.

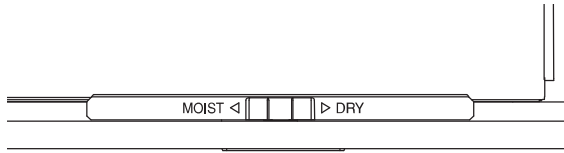
Le non-respect de cette instruction peut causer un empoisonnement alimentaire ou une maladie.

Pousser et tourner le bouton de commande pour mettre en marche le tiroir-réchaud. Le témoin d'alimentation bleu s'allume et reste allumé tant que le tiroir-réchaud fonctionne.

À la fin du réchauffage, tourner le bouton de commande à la position OFF (arrêt) pour éteindre le tiroir-réchaud. Lorsque le tiroir-réchaud est éteint, le témoin d'alimentation bleu s'éteint et le tiroir commence à refroidir.

La commande de la température s'effectue par rotation du bouton de commande au réglage désiré. La gamme de température va de Low (basse) à High (élevée) dans la zone de commande du tiroir-réchaud pour conserver les aliments chauds aux températures sélectionnées.

Curseur de réglage Moist-Dry (humide-sec)



Le curseur de réglage Moist-Dry (humide-sec) permet d'ouvrir ou de fermer les ouvertures d'aération dans la porte. Le réglage MOIST (humide) retient l'humidité tandis que le réglage DRY (sec) permet à la vapeur et à l'humidité de s'échapper du tiroir.

REMARQUE : De la condensation peut se former sur les surfaces internes. Ceci est normal.

Pour garder les aliments humides, faire glisser le curseur à MOIST; les ouvertures d'aération sont alors fermées. La fermeture des ouvertures d'aération scelle le tiroir et garde les aliments tendres et humides.

Pour garder les aliments croustillants, faire glisser le curseur à DRY; les ouvertures d'aération sont alors ouvertes. L'ouverture libère l'humidité du tiroir et garde les aliments chauds croustillants et secs. Voir le tableau de température du tiroir-réchaud dans la section "Réglage des commandes".

Réglage des commandes

⚠ AVERTISSEMENT

Risque d'empoisonnement alimentaire

Ne pas laisser des aliments reposer plus d'une heure avant ou après la cuisson.

Le non-respect de cette instruction peut causer un empoisonnement alimentaire ou une maladie.

Le tiroir-réchaud pour usage intérieur/extérieur est idéal pour garder au chaud des aliments cuits à la température de service. Il est conçu pour fonctionner correctement à l'intérieur comme à l'extérieur à des températures pouvant descendre jusqu'à 32°F (0°C). Si le tiroir fonctionne à des températures inférieures à 32°F (0°C), le rendement peut être affecté.

Différents types d'aliments peuvent être placés dans le tiroir-réchaud en même temps.

Lorsqu'on maintient au chaud plusieurs types d'aliment, utiliser le réglage de température la plus élevée dans le tiroir-réchaud. Placer les aliments nécessitant la température la plus élevée au fond du tiroir et ceux nécessitant la température la plus basse sur la grille supérieure.

Pour les meilleurs résultats, ne pas placer d'aliments dans le tiroir pendant plus d'une heure. Pour les plus petites quantités ou les aliments sensibles à la chaleur tels que les œufs, ne pas maintenir plus de 30 minutes.

Les aliments doivent être cuits et à la température de service avant d'être placés dans le tiroir-réchaud. Couvrir les aliments avec un couvercle.

Les pains, pâtisseries et tartes aux fruits peuvent être chauffés de la température de la pièce au réglage High. Sortir les aliments des sacs de plastique et les placer dans un contenant qui va au four.

Les plats de service et assiettes allant au four peuvent être réchauffés pendant que le tiroir-réchaud préchauffe.

REMARQUE : Pour conserver la chaleur, placer l'ustensile de cuisson et la grille dans le tiroir-réchaud avant le préchauffage.

Utilisation :

1. Pousser et tourner le bouton de commande au réglage de réchauffage souhaité : Low (basse), entre Low et Med (moyenne basse), Med (moyenne), entre Med et High (moyenne élevée), ou High (élevée).
REMARQUE : Pour les meilleurs résultats, la viande, les fruits de mer, la volaille et tous les aliments contenant de la viande, des fruits de mer ou de la volaille doivent être réchauffés à la température moyenne ou plus élevée.
2. Sélectionner le réglage MOIST (humide) ou DRY (sec).
3. Attendre la fin du préchauffage du tiroir-réchaud. Les durées de préchauffage minimales recommandées sont de 5 minutes pour Low (basse), 10 minutes pour Med (moyenne) et 20 minutes pour High (élevée).
4. Pousser et tourner le bouton de commande du four à OFF (arrêt) après avoir terminé.

TABLEAU DES TEMPÉRATURES DU TIROIR-RÉCHAUD

Différents aliments nécessitent différents réglages pour maintenir la température de service idéale. Utiliser le tableau suivant comme guide.

La température du tiroir-réchaud peut être réglée à n'importe quel degré entre Low et High. Pour les meilleurs résultats, la viande, les fruits de mer et la volaille doivent être réchauffés à la température moyenne ou plus élevée. Si désiré, couvrir les aliments pour maintenir la chaleur et l'humidité.

Lorsqu'on maintient au chaud plusieurs types d'aliments, configurer le tiroir au réglage de l'aliment nécessitant la température la plus élevée. Placer les aliments nécessitant la température la plus élevée au fond du tiroir et ceux nécessitant la température la plus basse sur la grille.

ALIMENT	RÉGLAGE
Bacon	Med à High - DRY
Bœuf, à point et bien cuit	Med à High - MOIST
Pain, petits pains	Med - DRY
Pain, petits pains mous	Med - MOIST
Mets en sauce - avec surface croustillante	Med - DRY
Mets en sauce	Med - MOIST
Brioches	Med - MOIST
Céréales cuites	Med à High - MOIST
Œufs	High - MOIST
Poisson, fruits de mer (non panés)	High - MOIST
Poisson, fruits de mer (panés)	High - DRY
Aliments frits	High - DRY
Sauce, sauces à la crème	High - MOIST
Jambon	Med High - MOIST
Hors d'œuvre (croustillants)	High - DRY
Agneau	Med à High - MOIST
Crêpes, gaufres	High - DRY
Tartes, croûte simple	Med - DRY
Tartes, croûte double	Med à Low - DRY

ALIMENT	RÉGLAGE
Pizza	High - DRY
Porc	Med à High - MOIST
Pommes de terre, au four	Med - DRY
Pommes de terre, en purée	Med à High - MOIST
Volaille	High - DRY
Légumes	Med à High - MOIST

Ustensiles de réchauffage

N'utiliser que des ustensiles adaptés au four. Suivre les instructions du fabricant de l'ustensile.

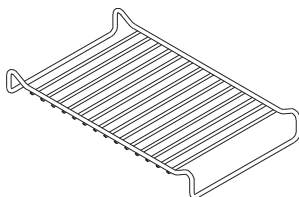
Positionnement des grilles et des ustensiles

Positionnement de la grille

Les 2 grilles fournies avec le tiroir-réchaud s'adapteront d'avant en arrière ou latéralement.

REMARQUE : Le tiroir-réchaud doit être complètement ouvert lorsqu'on place ou retire les grilles.

Chaque grille soulève un récipient allant au four de 1/8" (2,86 cm) à partir du fond du tiroir.



Ouvrir le tiroir aussi peu que possible pour maintenir la température réglée à l'intérieur.

Ustensiles facultatifs (accessoires)

Le tiroir-réchaud inclut 2 rails de support d'ustensiles conçus pour différentes tailles d'ustensile. Les tailles d'ustensile qui peuvent être utilisées sont les suivantes : 1/6, 1/9, 1/3, 1/2 et 2/3. Un ustensile de service pleine grandeur peut être placé sur la largeur du tiroir-réchaud [tiroir de 27" (68,6 cm) et 30" (76,2 cm)].

Les ustensiles de 1/2 et 1/3 peuvent être achetés du Centre pour l'expérience de la clientèle Jenn-Air®. Voir la section "Assistance ou service" pour passer une commande.

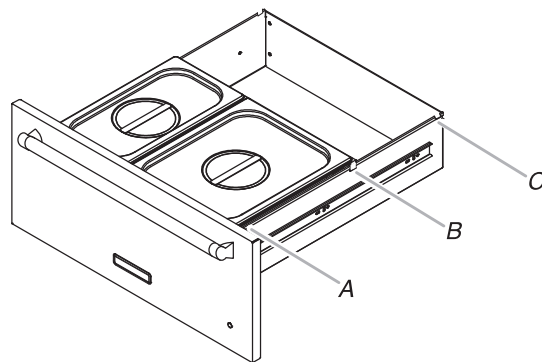
Des ustensiles de service de taille différente peuvent être achetés chez de nombreux marchands et magasins de fournitures pour restaurants.

Veillez consulter le tableau suivant pour déterminer le positionnement correct des rails de support pour chaque taille d'ustensile.

Taille d'ustensile	Rails de support d'ustensile
Pleine grandeur*	Positions 1 et 3
2/3	Positions 1 et 3
1/2	Positions 1 et 3
1/3	Positions 1 et 3 ou 1 et 2
1/6	Positions 1 et 2
1/9	Positions 1 et 2

*Les ustensiles pleine grandeur ne peuvent pas être utilisés avec le tiroir-réchaud de 24" (61 cm).

Lors de l'utilisation d'ustensiles de service, s'assurer que les rails de support d'ustensile sont bien installés dans l'encoche de positionnement avant d'insérer les ustensiles.



A. Encoche du rail de support d'ustensile - Position 1
 B. Encoche du rail de support d'ustensile - Position 2
 C. Encoche du rail de support d'ustensile - Position 3

Levée du pain

La levée du pain prépare la pâte pour la cuisson en activant la levure. Vérifier régulièrement la progression de la levée de la pâte.

Pour faire lever la pâte :

1. Couvrir la pâte de papier ciré légèrement huilé et placer le ou les bols résistants à la chaleur sur la grille.
2. Placer le bouton de commande au réglage PROOF (levée).
3. Placer le curseur au réglage MOIST (humide).
4. Vérifier le degré de cuisson en enfonçant 2 doigts de 1/2" (1,27 cm) dans la pâte. Si l'empreinte demeure, la pâte est prête.

Pour la seconde levée de la pâte, répéter les étapes 1 à 4.

Fonction de cuisson lente

⚠ AVERTISSEMENT

Risque d'empoisonnement alimentaire

Ne pas laisser des aliments reposer plus d'une heure avant ou après la cuisson.

Le non-respect de cette instruction peut causer un empoisonnement alimentaire ou une maladie.

La fonction Slow Roast (cuisson lente) du tiroir-réchaud cuit les aliments lentement à basse température pendant une longue période.

Lorsque le tiroir-réchaud est installé à l'extérieur, la fonction Slow Roast ne doit pas être utilisée si la température extérieure est inférieure à 32°F (0°C).

Il y a 2 réglages, High (élevée) et Low (basse). Les durées de cuisson conseillées sont de 4 à 5 heures pour High (élevée) et de 8 à 10 heures pour Low (basse). Les quantités de nourriture plus petites peuvent demander moins de temps de cuisson, alors que les grandes quantités peuvent nécessiter une cuisson plus longue.

Lorsqu'on utilise la fonction de cuisson lente, il est conseillé d'utiliser des plats de service ou ustensiles allant au four (disponibles pour l'achat). Pour commander des ustensiles de service, voir la section "Assistance ou service".

Avant d'utiliser la fonction de cuisson lente, décongeler totalement les aliments congelés.

IMPORTANT : Faire brunir complètement les rôtis avant de commencer la cuisson lente.

Utilisation :

1. Pousser et tourner le bouton de commande à la zone SLOW ROAST (cuisson lente) et régler à la température désirée, LOW (basse) ou HIGH (élevée). Un préchauffage n'est pas nécessaire.
2. Placer les aliments dans le tiroir-réchaud. Les aliments doivent être placés directement au fond du tiroir-réchaud. Ne pas utiliser la grille.
3. Fermer le tiroir-réchaud. S'assurer que le tiroir-réchaud est complètement fermé pendant le fonctionnement.
4. Tourner le bouton de commande à OFF (arrêt) après avoir terminé.

Ensemble de panneaux (accessoire)

Un ensemble de panneaux est disponible pour personnaliser la façade du tiroir-réchaud et s'harmoniser avec les autres appareils ménagers Jenn-Air®. Voir la section "Assistance ou Service" pour commander.

ENTRETIEN DU TIROIR-RÉCHAUD

Glissières du tiroir

Les glissières du tiroir permettent de l'ouvrir complètement pour en faciliter le nettoyage. Au besoin, le tiroir peut être retiré.

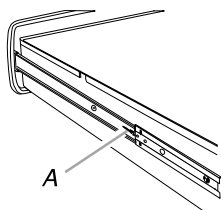
REMARQUE : La capacité de charge du tiroir est de 100 lb (45 kg).

Tiroir-réchaud

Retirer tous les articles de l'intérieur du tiroir-réchaud et laisser l'appareil refroidir complètement avant d'essayer d'enlever le tiroir.

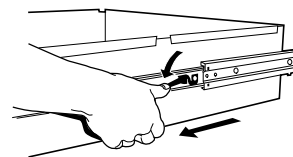
Dépose :

1. Ouvrir le tiroir complètement.
2. Localiser les onglets noirs des deux côtés du tiroir.



A. Onglet

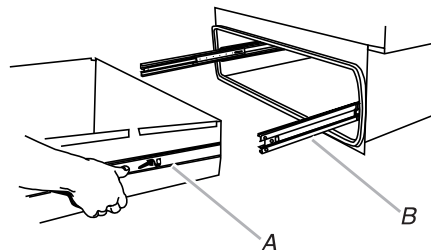
3. Enfoncer l'onglet du côté droit du tiroir et soulever en même temps l'onglet du côté gauche, puis ouvrir le tiroir de plus pour désengager le loquet.



4. Tenir le tiroir par les côtés (non par l'avant). Le sortir complètement et lentement.

Réinstallation :

1. Aligner les guides du tiroir avec les glissières.



A. Guide du tiroir
B. Glissière du tiroir

2. Pousser le tiroir jusqu'au fond.
3. Ouvrir et fermer le tiroir doucement pour s'assurer qu'il repose bien sur les glissières.

Nettoyage général

IMPORTANT : Avant le nettoyage, s'assurer que toutes les commandes sont désactivées et que le tiroir-réchaud et ses accessoires ont refroidi. Toujours suivre les instructions sur les étiquettes des produits de nettoyage.

Du savon, de l'eau et un chiffon doux ou une éponge sont recommandés à moins d'indication contraire.

SURFACES EN ACIER INOXYDABLE

Pour éviter d'endommager les surfaces en acier inoxydable, ne pas utiliser de tampons de récurage savonneux, nettoyants abrasifs, crème à polir pour table de cuisson, tampons en laine d'acier, chiffons de lavage rudes ou certains essuie-tout.

Les surfaces en acier inoxydable pourraient subir des dommages, même en cas d'utilisation non renouvelée.

Méthode de nettoyage :

Frotter dans la direction du grain pour éviter les dommages.

- Nettoyant pour acier inoxydable affresh® - pièce n° W10355016 (non inclus) :

Voir la section "Assistance ou service" pour passer une commande.

- Détergent liquide ou nettoyant tout-usage :

Rincer à l'eau propre et sécher avec un chiffon doux sans charpie.

BOUTON DE COMMANDE

Ne pas utiliser de laine d'acier, de produits de nettoyage abrasifs ou de nettoyant à four.

Ne pas faire tremper le bouton.

Lors de la réinstallation du bouton, s'assurer qu'il est à la position OFF (arrêt).

Méthode de nettoyage :

- Eau et savon :

Tirer le bouton directement hors du tableau de commande pour le retirer. Laver, rincer et sécher avec un chiffon doux.

TIROIR-RÉCHAUD

Méthode de nettoyage :

Nettoyage courant

- Essuie-tout et nettoyant à vitres :

S'assurer que le tiroir a refroidi. Suivre les instructions du fabricant.

- Eau tiède savonneuse ou nettoyant tout-usage et tampon de récurage non abrasif en plastique :

Laver et rincer à l'eau propre et sécher complètement.

Taches tenaces et résidus de cuisson

Frotter dans la direction du grain pour éviter les dommages.

- Détergent légèrement abrasif ou nettoyant pour acier inoxydable avec chiffon humide ou éponge.

Laver à l'eau propre, essuyer et sécher complètement. Répéter au besoin.

- Nettoyant pour cuisine et appareils ménagers affresh® - pièce n° W10355010 (non inclus) :

Voir la section "Assistance ou service" pour placer une commande.

GRILLES

Méthode de nettoyage :

- Tampon en laine d'acier et eau tiède savonneuse :

Laver, rincer et sécher complètement.

DÉPANNAGE

Essayer les solutions suggérées ici d'abord afin d'éviter le coût d'une visite de service non nécessaire.

Le tiroir-réchaud ne fonctionne pas

- **Un fusible est-il grillé ou le disjoncteur s'est-il déclenché?**
Remplacer le fusible ou réenclencher le disjoncteur. Si le problème persiste, appeler un électricien.

⚠ AVERTISSEMENT



Risque de choc électrique

Brancher sur une prise à 3 alvéoles reliée à la terre.

Ne pas enlever la broche de liaison à la terre.

Ne pas utiliser un adaptateur.

Ne pas utiliser un câble de rallonge.

Le non-respect de ces instructions peut causer un décès, un incendie ou un choc électrique.

- **Le cordon d'alimentation est-il débranché?**
Brancher sur une prise à 3 alvéoles reliée à la terre.

Le tiroir ne glisse pas correctement

- **Le tiroir a-t-il été bien installé sur les glissières?**
Voir la section "Entretien du tiroir-réchaud".
- **Le tiroir a-t-il été trop chargé?**
Le poids dans le tiroir ne doit pas dépasser 100 lb (45 kg).
- **La charge dans le tiroir est-elle déséquilibrée?**
Redistribuer les aliments pour équilibrer le poids uniformément.

Humidité excessive sur le tiroir

- **Le tiroir a-t-il été préchauffé?**
Préchauffer le tiroir avant chaque utilisation. Voir la section "Utilisation du tiroir-réchaud".
- **Le réglage MOIST-DRY (humide-sec) est-il correct?**
Régler le curseur MOIST-DRY à DRY (sec) pour évacuer l'humidité.

Les résultats de cuisson ne sont pas les résultats prévus

- La surface des portions de bœuf ou de porc peut devenir très foncée, mais non brûlée. Ceci est normal. L'intérieur restera tendre et juteux. La volaille peut également brunir, particulièrement sur les parties non couvertes de peau.

ASSISTANCE OU SERVICE

Si vous avez besoin de service

Consulter la page de garantie du présent manuel.

Si vous avez besoin de pièces de rechange

Si vous avez besoin de commander des pièces de rechange, nous vous recommandons d'utiliser seulement des pièces spécifiées par l'usine. Les pièces de rechange spécifiées par l'usine conviendront et fonctionneront bien parce qu'elles sont fabriquées selon la même précision que celle utilisée pour fabriquer chaque nouvel appareil JENN-AIR®.

Pour savoir où trouver des pièces spécifiées par l'usine dans votre région, nous appeler ou contacter le centre de service désigné JENN-AIR le plus proche.

Au Canada

Téléphoner sans frais au Centre pour l'eXpérience de la clientèle de Jenn-Air au : **1-800-JENNAIR (1-800-536-6247)**.

Nos consultants fournissent de l'assistance pour :

- Procédures d'utilisation et d'entretien.
- Vente de pièces de rechange.
- Orientation vers des concessionnaires, compagnies de service de réparation et distributeurs de pièces de rechange locaux. Les techniciens de service désignés par Jenn-Air sont formés pour remplir la garantie du produit et fournir un service après la garantie, partout au Canada.

Pour plus d'assistance :

Si vous avez besoin de plus d'assistance, vous pouvez écrire à :

Jenn-Air Brand Home Appliances
Centre pour l'eXpérience de la clientèle
200 - 6750 Century Ave.
Mississauga, Ontario L5N 0B7

Adresse Internet : **www.jennair.ca**

Veillez indiquer dans votre correspondance un numéro de téléphone où l'on peut vous joindre dans la journée.

Accessoires

Nettoyant pour acier inoxydable affresh®

Commander la pièce n° W10355016

Nettoyant pour cuisine et appareils ménagers affresh®

Commander la pièce n° W10355010

Panneau noir - Modèle JWD2030WX

Commander la pièce n° JWD2130WB

Ensemble de 5 ustensiles de service

Commander la pièce n° DRAWERPANS

Ustensile de service (1/2)

Commander la pièce n° W10242695A

Ustensile de service (1/3)

Commander la pièce n° W10242694A

GARANTIE LIMITÉE DES GROS APPAREILS MÉNAGERS JENN-AIR®

ATTACHEZ ICI VOTRE REÇU DE VENTE. UNE PREUVE D'ACHAT EST OBLIGATOIRE POUR OBTENIR L'APPLICATION DE LA GARANTIE.

Lorsque vous appelez le centre d'eXpérience de la clientèle, veuillez garder à disposition les renseignements suivants :

- Nom, adresse et numéro de téléphone
- Numéros de modèle et de série
- Une description claire et détaillée du problème rencontré
- Une preuve d'achat incluant le nom et l'adresse du marchand ou du détaillant

SI VOUS AVEZ BESOIN DE SERVICE :

1. Avant de nous contacter pour obtenir un dépannage, veuillez déterminer si des réparations sont nécessaires pour votre produit. Certains problèmes peuvent être résolus sans intervention de dépannage. Prenez quelques minutes pour parcourir la section Dépannage ou Résolution de problèmes du guide d'utilisation et d'entretien, scannez le code QR ci-contre avec votre téléphone intelligent pour accéder à des ressources supplémentaires, ou rendez-vous sur le site <http://www.jennair.ca>.
2. Tout service sous garantie doit être effectué exclusivement par nos fournisseurs de dépannage autorisés Jenn-Air. Aux E.-U. et au Canada, dirigez toutes vos demandes de service sous garantie au

Centre d'eXpérience de la clientèle Jenn-Air
1-800-JENNAIR (1-800-536-6247)



<http://www.jennair.ca>

Si vous résidez à l'extérieur du Canada et des 50 États des États-Unis, contactez votre marchand Jenn-Air autorisé pour déterminer si une autre garantie s'applique.

GARANTIE LIMITÉE DE UN AN

CE QUI EST COUVERT

Pendant un an à compter de la date d'achat, lorsque ce gros appareil ménager est installé, utilisé et entretenu conformément aux instructions jointes à ou fournies avec le produit, la marque Jenn-Air de Whirlpool Corporation ou Whirlpool Canada, LP (ci-après désignées "Jenn-Air") décidera à sa seule discrétion de remplacer le produit ou de couvrir le coût des pièces spécifiées par l'usine et de la main-d'œuvre nécessaires pour corriger les vices de matériaux ou de fabrication qui existaient déjà lorsque ce gros appareil ménager a été acheté. S'il est remplacé, l'appareil sera couvert pour la période restant à courir de la garantie limitée d'un an du produit d'origine.

LE SEUL ET EXCLUSIF RECOURS DU CLIENT DANS LE CADRE DE LA PRÉSENTE GARANTIE LIMITÉE CONSISTE EN LA RÉPARATION PRÉVUE PAR LA PRÉSENTE. Le service doit être fourni par une compagnie de service désignée par Jenn-Air. Cette garantie limitée est valide uniquement aux États-Unis ou au Canada et s'applique exclusivement lorsque le gros appareil ménager est utilisé dans le pays où il a été acheté. La présente garantie limitée est valable à compter de la date d'achat initial par le consommateur. Une preuve de la date d'achat initial est exigée pour obtenir un dépannage dans le cadre de la présente garantie limitée.

CE QUI N'EST PAS COUVERT

1. Usage commercial, non résidentiel ou par plusieurs familles, ou non-respect des instructions de l'utilisateur, de l'opérateur ou des instructions d'installation.
2. Visite d'instruction à domicile pour montrer à l'utilisateur comment utiliser l'appareil.
3. Visites de service pour rectifier une installation ou un entretien fautifs du produit, une installation non conforme aux codes d'électricité ou de plomberie, ou la rectification de l'installation électrique ou de la plomberie du domicile (ex : câblage électrique, fusibles ou tuyaux d'arrivée d'eau du domicile).
4. Pièces consommables (ex : ampoules, batteries, filtres à air ou à eau, solutions de conservation, etc.).
5. Conversion de votre produit du gaz naturel ou du gaz de pétrole liquéfié.
6. Dommages causés par : accident, mésusage, abus, incendie, inondations, catastrophe naturelle ou l'utilisation de produits non approuvés par Jenn-Air.
7. Réparations aux pièces ou systèmes dans le but de rectifier un dommage ou des défauts résultant d'une réparation, altération ou modification non autorisée faite à l'appareil.
8. Défauts d'apparence, notamment les éraflures, traces de choc, fissures ou tout autre dommage subi par le fini de l'appareil ménager, à moins que ces dommages ne résultent de vices de matériaux ou de fabrication et ne soient signalés à Jenn-Air dans les 30 jours suivant la date d'achat.
9. Décoloration, rouille ou oxydation des surfaces résultant d'environnements caustiques ou corrosifs incluant des concentrations élevées de sel, un haut degré d'humidité ou une exposition à des produits chimiques (exemples non exhaustifs).
10. Perte d'aliments ou de médicaments due à la défaillance du produit.
11. Enlèvement ou livraison. Ce produit est conçu pour être réparé à l'intérieur du domicile.
12. Frais de déplacement et de transport pour le dépannage/la réparation dans une région éloignée où une compagnie de service Jenn-Air autorisée n'est pas disponible.
13. Retrait ou réinstallation d'appareils inaccessibles ou de dispositifs préinstallés (ex : garnitures, panneaux décoratifs, plancher, meubles, îlots de cuisine, plans de travail, panneaux de gypse, etc.) qui entravent le dépannage, le retrait ou le remplacement du produit.
14. Service et pièces pour des appareils dont les numéros de série et de modèle originaux ont été enlevés, modifiés ou ne peuvent pas être facilement identifiés.

Le coût d'une réparation ou d'un remplacement dans le cadre de ces circonstances exclues est à la charge du client.

CLAUSE D'EXONÉRATION DE RESPONSABILITÉ AU TITRE DES GARANTIES IMPLICITES

LES GARANTIES IMPLICITES, Y COMPRIS LES GARANTIES APPLICABLES DE QUALITÉ MARCHANDE OU D'APTITUDE À UN USAGE PARTICULIER, SONT LIMITÉES À UN AN OU À LA PLUS COURTE PÉRIODE AUTORISÉE PAR LA LOI. Certains États et provinces ne permettent pas de limitation sur la durée des garanties implicites de qualité marchande ou d'aptitude à un usage particulier, de sorte que la limitation ci-dessus peut ne pas être applicable dans votre cas. Cette garantie vous confère des droits juridiques spécifiques et vous pouvez également jouir d'autres droits qui peuvent varier d'une juridiction à l'autre.

EXONÉRATION DE RESPONSABILITÉ DANS LES DOMAINES NON COUVERTS PAR LA GARANTIE

Jenn-Air décline toute responsabilité au titre de la qualité, de la durabilité ou en cas de dépannage ou de réparation nécessaire sur ce gros appareil ménager autre que les responsabilités énoncées dans la présente garantie. Si vous souhaitez une garantie plus étendue ou plus complète que la garantie limitée fournie avec ce gros appareil ménager, adressez-vous à Jenn-Air ou à votre détaillant pour obtenir les modalités d'achat d'une garantie étendue.

LIMITATION DES RECOURS; EXCLUSION DES DOMMAGES FORTUITS OU INDIRECTS

LE SEUL ET EXCLUSIF RECOURS DU CLIENT DANS LE CADRE DE LA PRÉSENTE GARANTIE LIMITÉE CONSISTE EN LA RÉPARATION PRÉVUE PAR LA PRÉSENTE. JENN-AIR N'ASSUME AUCUNE RESPONSABILITÉ POUR LES DOMMAGES FORTUITS OU INDIRECTS. Certains États et certaines provinces ne permettent pas l'exclusion ou la limitation des dommages fortuits ou indirects de sorte que ces limitations et exclusions peuvent ne pas être applicables dans votre cas. Cette garantie vous confère des droits juridiques spécifiques et vous pouvez également jouir d'autres droits qui peuvent varier d'une juridiction à l'autre.

