



# E Series Oven

## *Use and Care Guide*



CLEANING, MAINTENANCE,  
AND MORE



## Contents

- 4** Safety Precautions
- 5** E Series Oven Features
- 6** Oven Operation
- 17** Cooking Guide
- 20** Care Recommendations
- 21** Troubleshooting
- 23** Wolf Warranty

## Customer Care

The model and serial number are printed on the enclosed product registration card. Both numbers are also listed on the product rating plate. Refer to page 5 for rating plate location. For warranty purposes, you will also need the date of installation and name of your authorized Wolf dealer. Record this information below for future reference.

### SERVICE INFORMATION

Model Number \_\_\_\_\_

Serial Number \_\_\_\_\_

Date of Installation \_\_\_\_\_

Certified Service Name \_\_\_\_\_

Certified Service Number \_\_\_\_\_

Authorized Dealer \_\_\_\_\_

Dealer Number \_\_\_\_\_

If your product ever needs attention, be sure to use a Wolf Factory Certified Service provider recommended by our Customer Care Center, or select one from our list of providers available at [wolfappliance.com/locator](http://wolfappliance.com/locator). All Factory Certified Service providers are carefully selected and thoroughly trained by us.

## Important Note

To ensure this product is installed and operated as safely and efficiently as possible, take note of the following types of highlighted information throughout this guide:

**IMPORTANT NOTE** highlights information that is especially important.

### ⚠ CAUTION

Indicates a situation where minor injury or product damage may occur if instructions are not followed.

### ⚠ WARNING

States a hazard that may cause serious injury or death if precautions are not followed.

**IMPORTANT NOTE:** Throughout this guide, dimensions in parentheses are millimeters unless otherwise specified.

# IMPORTANT INSTRUCTIONS

### GENERAL SAFETY PRECAUTIONS

- Read this guide carefully before using this appliance to reduce risk of fire, electric shock, or injury.
- This appliance must be properly installed and serviced by a qualified installer or service agency and grounded by a qualified technician.
- Clean only those parts listed in this guide.
- Do not use oven cleaners. No commercial oven cleaner or oven liner protective coating of any kind should be used in or around any part of the oven.
- Do not touch heating elements or interior surfaces of oven. Heating elements may be hot even though they are dark in color. Interior surfaces become hot enough to cause burns. During and after use, do not touch or let clothing or other flammable materials contact heating elements or interior surfaces of the oven until they have had sufficient time to cool.
- Exercise caution when opening the oven door. Let hot air or steam escape before looking or reaching into the oven.
- Be sure that the oven cool air intake and oven exhaust vent (located below the door) are unobstructed at all times.
- Always use dry pot holders when removing pans from this appliance. Wet or damp pot holders can cause steam burns. Do not use a towel or bulky cloth in place of pot holders.
- Position oven racks in the desired locations when the oven is cool. If a rack must be repositioned after the oven is already hot, be sure the pot holder does not contact a hot heating element in the oven.
- Do not repair or replace any part of this appliance unless specifically recommended in literature accompanying this appliance.
- Do not use aluminum foil to line any part of this appliance.
- Never use this appliance to warm or heat the room.
- Do not leave children alone or unattended in the area where this appliance is in use. Never allow children to sit or stand on the appliance.
- Do not store items of interest to children above or at the back of this appliance, as they could climb on the appliance to reach items and be injured.
- Do not use water on grease fires. Smother the flame or use a dry chemical or foam-type extinguisher.
- Do not heat unopened food containers, such as baby food jars and cans. Pressure build-up may cause the container to burst and cause injury.
- Do not store or use gasoline or other flammable vapors and liquids in the vicinity of this or any other appliance.
- Do not clean the oven gasket; rubbing or moving the gasket may compromise the door seal.
- Wear proper apparel. Loose-fitting or hanging garments should never be worn while using this appliance.

#### **⚠ CAUTION**

**Before using self-clean, remove broiler pan, oven racks, oven rack guides, and any other utensils.**

#### **⚠ WARNING**

**PROPOSITION 65 FOR CALIFORNIA RESIDENTS**

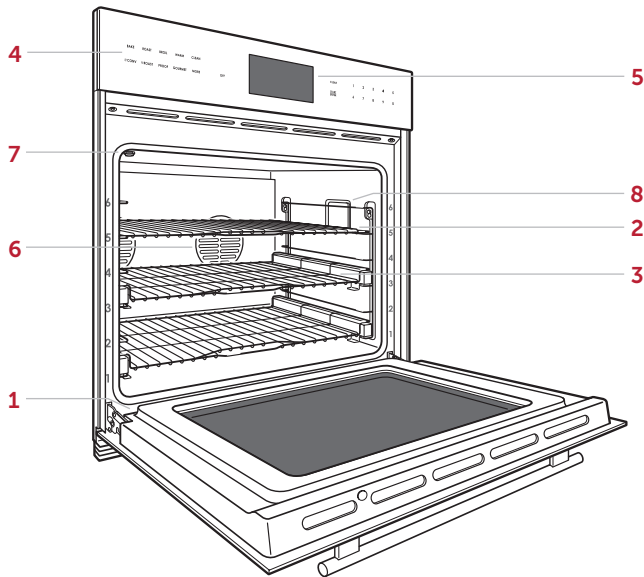
**Cancer and Reproductive Harm—  
[www.P65Warnings.ca.gov](http://www.P65Warnings.ca.gov)**

# E Series Oven Features

## E Series Oven Features

### FEATURES

- |   |  |
|---|--|
| 1 | Product Rating Plate (lower oven for double ovens) |
| 2 | Adjustable Oven Rack                               |
| 3 | Full-Extension Oven Racks                          |
| 4 | Control Panel                                      |
| 5 | Touchscreen  |
| 6 | Convection Fans                                    |
| 7 | Temperature Probe Receptacle                       |
| 8 | Halogen Lighting                                   |



E Series Single Oven

## Getting Started

We know you are eager to start cooking, but before you do, please take some time to read this use and care guide. Whether you are an occasional cook or an expert chef, it will be to your benefit to familiarize yourself with the safety practices, features, operation, and care recommendations of your Wolf E Series Oven.

To ensure the best results, review the cooking modes and special features on page 12.

### ⚠ CAUTION

**Do not place cookware on the oven floor or use aluminum foil or other material to line the oven floor or side walls. Failure to adhere to this notice will damage the porcelain interior and will void your warranty.**

# Oven Operation

## Oven Racks

### OVEN RACK POSITION

The oven racks can be placed in any of the six positions labeled on the front face of the oven. Refer to the illustration below.

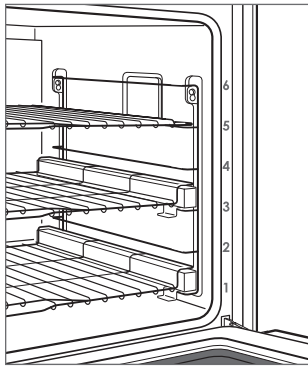
### OVEN RACK GUIDES

To install the rack guides in the oven, locate the mounting screws on the oven side walls. Place the rack guide mounting tabs over the top screws, pivot inward, and slide down until fully seated. Refer to the illustration below.

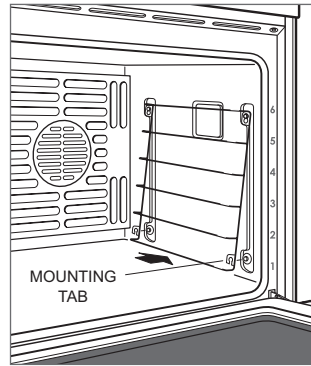
### OVEN RACKS

To insert a standard rack in the oven, place the rack anti-tip lock under the side rack guide rails. Slide the rack back and lift up to clear the rack stops. Continue to slide the rack back until completely inside the oven. Refer to the illustration below.

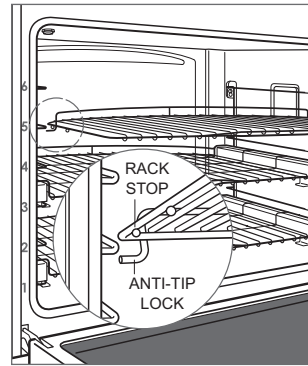
To insert a full-extension rack, place the two rear tabs onto the rack guide (one tab above and one below). Refer to the illustration below. Angle the rack slightly and slide back until the front rack notch engages the front rack guide.



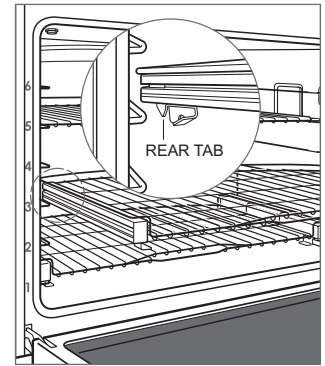
Oven rack position



Oven rack guide



Oven rack anti-tip lock



Full-extension rack

# Oven Operation

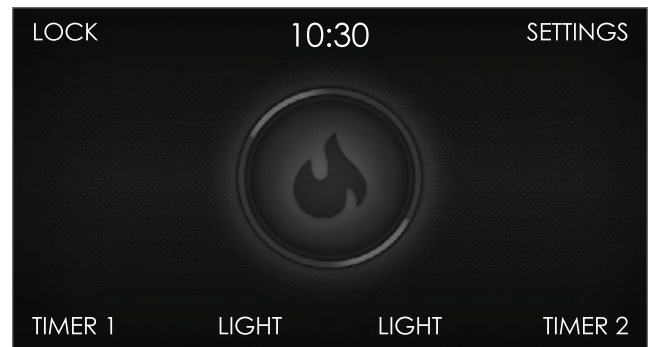
## Controls

Wolf E Series Ovens use a combination of a control panel and touchscreen. The oven has ten cooking modes—Bake, Convection, Roast, Convection Roast, Broil, Proof, Warm, Gourmet, Stone, and Dehydrate. Convection, Gourmet, Stone, and Dehydrate are not available for the lower oven on double ovens. Stone and Dehydrate require accessories.

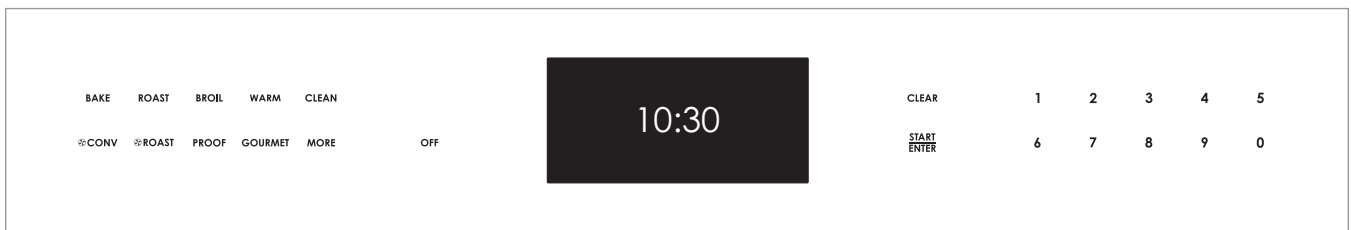
### To start cooking:

Touch the desired cooking mode or touch More to access additional modes. For double ovens, touch Upper On or Lower On to select the oven.

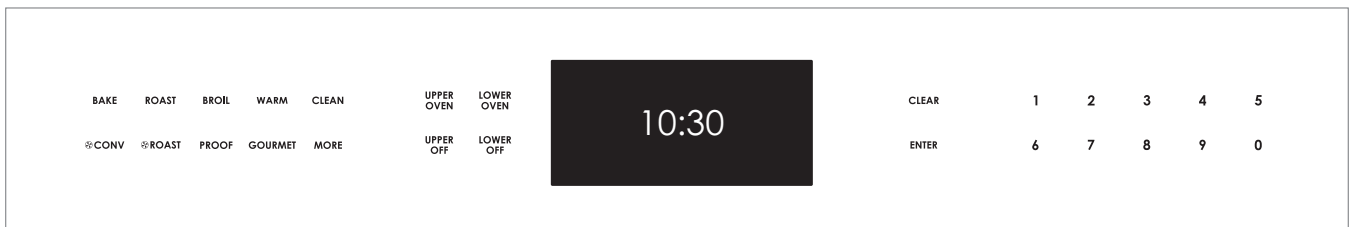
- 1 Touch Start/Enter to select the preset temperature or use the number pads to change the temperature. NOTE: Touch Clear at any time to go back.
- 2 Touch Start/Enter.



Touchscreen (double oven shown)



Control panel (single oven)



Control panel (double oven)

## Oven Operation

### CONTROL LOCK


The lock feature prevents unwanted control panel and touchscreen operation. The lock feature must be reset after a power outage.

#### To lock or unlock:

- 1 Touch and hold Lock for three seconds.

### PRIOR TO USE

To ensure all residual oil from the manufacturing process has been removed, each oven must go through the following procedure:

- 1 Clean the oven thoroughly with hot water and a mild detergent. Rinse and dry with a soft cloth.
- 2 Turn on ventilation. Some smoke and odor is normal.
- 3 Touch  Roast (Roast for the lower oven) and set the temperature to 500°F (260°C) for one hour.
- 4 Touch Off and allow the oven to cool with the door closed.

### OVEN LIGHT

The oven light turns on automatically when the door is open and off when closed. To turn the light on while the door is closed, touch Light on the touchscreen. For a double oven, touch Light on the right of the touchscreen for the lower oven.

### PREHEAT

During preheat, the oven is heated as quickly and evenly as possible and is not ideal for cooking. Preheat should be used for all cooking modes except Broil, Proof, Warm, Dehydrate, and some modes in Gourmet. Once preheat is complete, a chime indicates the oven has reached set temperature.



## Oven Operation

### CLOCK

The clock is visible on the touchscreen during all cooking modes. It is very important the clock be set to the correct time if a timed cook feature is used. The clock must be reset after a power outage.

The clock sets automatically if the unit is connected to Wi-Fi. Refer to Connect This Appliance on the following page.

#### Setting clock:

- 1 Touch Settings, then select Time.
- 2 Touch 12 Hour or 24 Hour mode and use the control panel to set the time.
- 3 Select AM or PM, then touch Start/Enter. A chime indicates the clock has been set.

Time can also be adjusted by touching the time on the touchscreen.

### TIMER

Each timer can be set for a maximum of 99 hours and 59 minutes. Once a time is set, the countdown is illuminated on the touchscreen. The timer is independent from the oven. Setting the timer does not affect cook time or stop time.


#### Setting timer:

- 1 Touch Timer 1 or Timer 2.
- 2 Use the control panel to set the duration, then touch Start/Enter. A chime indicates the timer has been set.
- 3 To cancel or edit, touch the countdown time on the touchscreen.
- 4 The timer chimes with one minute remaining. The timer chimes and flashes when complete.
- 5 Touch the flashing time to clear.

### TIMER (UPDATE MADE TO DF IR AND MO 7/20)

Each timer can be set for a maximum of 11 hours and 59 minutes. Once a time is set, the countdown appears on the control panel display. The timer is independent from the oven. Setting the timer does not impact cook time or stop time.

#### Setting timer:

- 1 Touch Timer 1 or Timer 2.
- 2 Use the slide bars to set the duration, then touch Set. A chime indicates the timer is set.
- 3 To edit the timer, touch the countdown time on the display, then use the slide bars to set the duration.
- 4 To cancel the timer, touch the countdown time on the display, then touch .
- 5 The timer chimes with one minute remaining. The timer chimes and flashes when complete.
- 6 Touch the flashing time to clear.

## Oven Operation

### EXTENDED OPTIONS

Touch Settings to access extended options. Use the slide bar to scroll to the desired option and touch the option to select. If more information is needed, touch Info.

#### OPTIONS

Time	Select 12 hour or 24 hour.
Sabbath	Turn Sabbath on or off.
Clock	Select digital, analog, blank, or logo.
Connect	Turn connect on or off.*
Standby	Turn standby power on or off.
Language	Select: English, Spanish, French, Italian, German, Dutch, or Chinese.
Units	°F/Imperial or °C/Metric.
Showroom	For showroom use only.
Info	Access helpful tips and product information.
About	For service only.
Temp Offset	For service only.
Calibration	Adjust display calibration.
Sound	Mute, 1-5 and high, medium, low.
Brightness	Adjust display brightness: 0-100%.

*\*To connect to the Sub-Zero Group Owner's App, connect must be turned on.*

## Connect This Appliance

Connect this appliance to remotely monitor and control it. Connecting requires a wireless router, an Internet connection with a network name and password, and a compatible mobile device. There is no limit to the number of appliances you can connect to an account. Connect products from multiple homes to the same account. Connecting appliances is optional.

- 1 Download the free Sub-Zero Group Owner's App from the Apple App Store or Google Play.
- 2 With Bluetooth enabled on the device, stand within a few feet of the appliance, open the app, and follow the on-screen instructions.
- 3 Log in or create an account.
- 4 Tap Add An Appliance or tap + in upper right of the screen to add appliances. To identify which appliance to pair, open the appliance door.
- 5 Tap + next to the appliance to select it. If identical appliances appear, an additional step identifies which appliance to pair.
- 6 Tap Pair Via Bluetooth. Wait for setup to complete, then tap Set Up Your Appliance For Pairing.
- 7 Tap Choose a Network on the Connect Your Appliance to Wi-Fi screen.
- 8 Select the home Wi-Fi network and enter the network password.
- 9 Tap Turn on Notifications to allow notifications about the appliance (for example, door left ajar).
- 10 Tap Done on the Success screen to complete the setup.

## Cooking Modes

### GOURMET

Gourmet provides a variety of quick and convenient meal preparations. Choose from six categories—Meat, Fish, Baked Goods, Pizza, Vegetables, and One Dish Meals.

After a selection is made, Gourmet recommends the proper rack position, sets the cooking mode, and automatically adjusts the temperature—sometimes using multiple modes and temperatures. Refer to the instructions on the control panel to determine whether preheat is required. The oven does not turn off automatically when the cook time is complete.

For more information regarding Gourmet, refer to the techniques and recipes guide included with your appliance or visit [subzero-wolf.com/wolf-technique-guides](http://subzero-wolf.com/wolf-technique-guides).

#### Setting controls:

- 1 Touch Gourmet.
- 2 Use the touchscreen to select the desired settings.

### GOURMET GUIDE

MEAT	Beef	steak, tenderloin, roast, prime rib, meatloaf, slow cook
	Poultry	whole bird, fresh pieces, whole breast
	Pork	ribs, tenderloin, roast, steak, chop, whole ham
	Lamb	leg, roast, rib rack
FISH	Steak	
	Fillet	
	Breaded	
BAKED GOODS	Cookies	
	Cake	sheet, fluted, angel, pound, cupcakes
	Pie	single crust, double crust
	Bread	quick bread, yeast loaf, yeast rolls, biscuits
PIZZA	Fresh	
	Par-Baked	
	Calzone	
VEGETABLES	Roasted	
	Sweet Potato	
	Baked Potato	
ONE DISH MEALS	Casserole	
	Lasagna	
	Quiche	

# Oven Operation

---

## Cooking Modes

MODE	PRESET	RANGE	PROBE	USES
BAKE	350°F (175°C)	200–550°F (95–290°C)	•	Best for single-rack cooking, primarily baked foods. Use for standard recipes.
CONVECTION	325°F (165°C)	200–550°F (95–290°C)	•	Uniform air movement makes it possible to multi-level rack cook with even browning.
ROAST	350°F (175°C)	200–550°F (95–290°C)	•	Best for roasting less tender cuts of meat, such as chuck roasts and stew meat that should be covered.
CONVECTION ROAST	325°F (165°C)	200–550°F (95–290°C)	•	Gently browns exterior and seals in juices. Perfect for roasting tender cuts of beef, lamb, pork, and poultry.
BROIL	High Med Low	550°F (290°C) 450°F (230°C) 350°F (175°C)		Best for broiling meats, fish, and poultry pieces up to 1" thick. Use a two-piece broiler pan and always broil with the oven door closed. Does not require preheat.
PROOF	85°F (30°C)	85–110°F (30–45°C)		Ideal for proofing or rising bread dough.
WARM	180°F (80°C)	140–200°F (60–95°C)	•	Designed to keep foods at serving temperature.
GOURMET	—	—	•	Gourmet provides quick and convenient meal preparations with recommendations for cooking mode and rack position. Refer to page 11. Preset temperature and range are dependent on food and desired doneness.
STONE	450°F (230°C)	200–550°F (95–290°C)	•	Baking on a ceramic stone. Great for pizza and bread. Stone accessory required.
DEHYDRATE	135°F (60°C)	110–170°F (45–75°C)		Dry a variety of fruits, vegetables, herbs, and meat strips. Accessory racks required.

*NOTE: The temperature probe can be used with all cooking modes except Broil, Proof, and Dehydrate.*

# Oven Operation

## Temperature Probe

Use only the temperature probe shipped with this appliance. Refer to the illustration below. The temperature probe measures the internal temperature of food while cooking. The probe can be used to monitor the temperature without setting a desired temperature and can be used with all cooking modes except Broil, Proof, and Dehydrate.

### Setting controls:

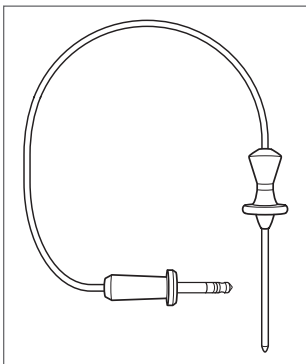
- 1 Preheat the oven to the desired oven temperature in the desired mode.
- 2 Completely insert the probe sensor into the thickest area of the food.
- 3 When preheat is complete, place food in the oven.
- 4 Insert the probe into the probe receptacle. Refer to the illustration below. Close the oven door.
- 5 Touch Probe on the touchscreen.
- 6 Touch Start/Enter on the control panel to select the preset temperature. To change the temperature, use the control panel to select the desired temperature, then touch Start/Enter.
- 7 A chime indicates the temperature is 5°F (1°C) below the set temperature. The oven chimes and the set temperature flashes when the internal temperature reaches the setpoint.
- 8 Remove, then reinsert the probe to verify the internal temperature.
- 9 Touch the flashing temperature to clear.

### ⚠ CAUTION

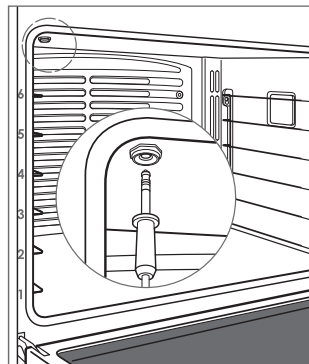
**Pull straight down when removing the probe from the receptacle. Bending or pulling the probe at an angle during removal may damage the probe and oven. Do not place a rack or accessory in rack position six when using the probe, as it interferes with probe removal.**

### ⚠ CAUTION

**The probe and probe receptacle will be very hot. Handle with care.**



Temperature probe



Probe receptacle

## Auto Program

### TIMED COOK

Timed Cook automatically turns the oven off at a specified time. The oven begins to heat immediately and turns off at the desired stop time. If preheat is required, the preheat time must be accounted for when determining the cooking duration. The clock must be set to the correct time to function properly. Use in any cooking mode except Broil, Gourmet, or Stone. The temperature probe cannot be used during Timed Cook.

#### Setting controls:

- 1 Touch the desired cooking mode and select the desired temperature.
- 2 Touch Timed Cook, then select the desired cooking duration.
- 3 Touch Start/Enter to start.
- 4 To cancel, touch the flashing duration/stop time on the touchscreen.
- 5 The oven turns off automatically when the cook time is complete.
- 6 Touch Off to clear.

### DELAYED START

Delayed Start automatically turns the oven on and off at specified times. The oven remains idle until the desired start time and turns off at the desired stop time. If preheat is required, the preheat time must be accounted for when determining the cooking duration. The clock must be set to the correct time to function properly. Use in any cooking mode except Broil, Gourmet, or Stone. The temperature probe cannot be used during Delayed Start.

#### Setting controls:

- 1 Touch the desired cooking mode and select the desired temperature.
- 2 Touch Timed Cook, then select the desired cooking duration.
- 3 Use the control panel to select the desired stop time, then touch Start/Enter.
- 4 To cancel, touch the flashing duration/stop time on the touchscreen.
- 5 The oven turns off automatically when the cook time is complete.
- 6 Touch Off to clear.

## Clean

During Clean, the oven is heated to an extremely high temperature to burn off food soil. The oven lights are disabled. Clean lasts approximately four hours.

**IMPORTANT NOTE:** For double ovens, the other oven cannot be used during Clean.

### Setting controls:

- 1 Turn on ventilation. Some smoke and odor is normal.
- 2 Touch Clean.
- 3 Touch Start/Enter, then open the oven door.
- 4 Remove the oven racks and rack guides, then touch Ok.
- 5 The oven door locks and remains locked until cleaning is complete and the oven temperature is below 550°F (290°C).
- 6 Touch Off to clear.

Porcelain is made from natural products and, therefore, can chip or develop fine lines and cracks due to the expansion and contraction that occurs as oven temperature fluctuates (particularly when the self-cleaning function is employed). This can result in cosmetic imperfections, such as a cloudy, dull or scratched appearance. Cosmetic imperfections may be more visible in a colored oven cavity.

## DELAYED CLEAN

### Setting controls:

- 1 Turn on ventilation. Some smoke and odor is normal.
- 2 Touch Clean.
- 3 Touch Delayed Clean and use the control panel to select the desired start time.
- 4 Touch Start/Enter, then open the oven door.
- 5 Remove the oven racks and rack guides, then touch Ok.
- 6 The oven door locks and remains locked until cleaning is complete and the oven temperature is below 550°F (290°C).
- 7 Touch Off to clear.

### CAUTION

**During Clean, exterior surfaces may get hotter than usual. Children should be kept away.**

# Oven Operation

## Sabbath

This appliance is certified by Star-K to meet strict religious regulations in conjunction with specific instructions found on [www.star-k.org](http://www.star-k.org).

Bake, Roast, Proof, and Warm modes can be used in Sabbath.

### Setting controls:

- 1 Turn the oven light on or off.
- 2 Touch Settings, then select Sabbath.
- 3 Touch On, then touch Start/Enter.
- 4 Select the cooking mode and temperature, then touch Start/Enter.
- 5 After 10 seconds, the unit enters Sabbath.
- 6 To change the oven temperature while in Sabbath, use the control panel to select the desired temperature, then touch Start/Enter. The temperature changes randomly after the new temperature is selected.
- 7 Touch Off to end the mode. The Sabbath icon goes away after 10 seconds.

## Oven Light

### ⚠ WARNING

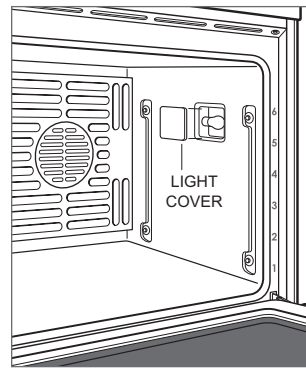
**Verify power is disconnected from the electrical box before replacing a light bulb.**

Allow the oven to cool completely, then remove the oven racks and rack guides. To remove the light cover, gently pry the bottom edge with a flat screwdriver. Remove the existing bulb and replace with a 40-watt halogen bulb. Refer to the illustration below. Do not touch the new bulb with bare hands. Wear rubber gloves or use a paper towel to hold the bulb during installation.

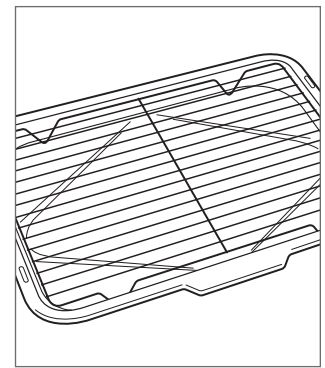
To replace the light bulb located on the top of the oven cavity, contact Wolf Factory Certified Service. For the name of the nearest Wolf Factory Certified Service, check the Product Support section of our website, [wolfappliance.com](http://wolfappliance.com), or call Wolf Customer Care at 800-222-7820.

## Broiler Pan

For broiling, use the two-piece broiler pan and rack included with the range. Refer to the illustration below.



Light bulb replacement



Broiler pan and rack



## Wolf Cooking Guide

FOOD	RACK(S)	MODE	OVEN TEMP	POSITION	TIME	NOTES
<b>BREADS</b>						
Biscuits	1	Roast	400°F (205°C)	3	5–10 min	
	2	Convection	425°F (220°C)	2, 5	5–10 min	
	3	Convection	425°F (220°C)	1, 3, 5	5–10 min	
Cinnamon rolls	1	Bake	350°F (175°C)	3	20–25 min	
	2	Convection	325°F (165°C)	2, 5	20–25 min	
	3	Convection	325°F (165°C)	1, 3, 5	20–25 min	
Garlic bread	1	Broil	Med	5		
Muffins	1	Bake	400°F (205°C)	3	15–20 min	
	2	Convection	375°F (190°C)	2, 5	10–15 min	
	3	Convection	375°F (190°C)	1, 3, 5	10–15 min	
Quick breads	1	Bake	350°F (175°C)	3	40–50 min	
Toast	1	Broil	High	5		
Yeast bread (loaf pan)	1	Bake	350°F (175°C)	3	20–45 min	
Yeast bread (no pan)	1	Stone	450°F (230°C)	1	15–45 min	
Yeast rolls	1	Convection	375°F (190°C)	3	10–20 min	
	2	Convection	375°F (190°C)	2, 5	10–20 min	
	3	Convection	375°F (190°C)	1, 3, 5	10–20 min	
<b>CAKES</b>						
Angel food cake	1	Bake	350°F (175°C)	1	35–45 min	
Bundt or pound cake	1	Bake	350°F (175°C)	3	40–50 min	
Cupcakes	1	Bake	350°F (175°C)	3	20–25 min	
	2	Convection	325°F (165°C)	2, 5	15–25 min	
	3	Convection	325°F (165°C)	1, 3, 5	15–25 min	
Mixes or from scratch	1	Bake	350°F (175°C)	3	20–30 min	
	2	Convection	325°F (165°C)	2, 5	20–30 min	
	3	Convection	325°F (165°C)	1, 3, 5	20–30 min	
<b>COOKIES</b>						
Cookies or bars	1	Bake	350°F (175°C)	3	10–25 min	
	2	Convection	325°F (165°C)	2, 5	10–25 min	
	3	Convection	325°F (165°C)	1, 3, 5	10–25 min	
<b>PIES</b>						
Cream puffs	1	Convection	400°F (205°C)	3	20–30 min	
Double-crust or streusel topped	1	Bake	375°F (190°C)	3	40–45 min	
Lemon meringue	1	Broil	Low	3	10–15 min	
Pie crust (empty)	1	Bake	425°F (220°C)	3	10–15 min	
Puff pastry	1	Bake	400°F (205°C)	3	10–15 min	
	2	Convection	375°F (190°C)	2, 5	10–15 min	
	3	Convection	375°F (190°C)	1, 3, 5	10–15 min	
Pumpkin or custard	1	Bake	425°F (220°C) / 325°F (165°C)	3	see note	Bake for 15 min at 425°F, reduce temp to 325°F, and bake until pie is set, 45–60 min.

Consuming raw or undercooked meats, poultry, seafood, shellfish, or eggs may increase your risk of foodborne illness.

## Wolf Cooking Guide

FOOD	MODE	OVEN TEMP	RACK	TIME	PROBE TEMP	NOTES
<b>BEEF</b>						
Chuck roast	Conv Roast	325°F (165°C)	3	20–25 min/lb	Med 150°F (65°C)	Place in dish with liquid ½ the height of the meat.
	Roast	350°F (175°C)	3	20–25 min/lb	Med 150°F (65°C)	
Ground patties	Broil	High	5	10–15 min		Turn over at 7 min.
Prime rib	Roast	450°F (230°C) / 225°F (105°C)	2	see note	Rare 130°F (55°C)	No preheat required. Roast for 30 min at 450°F, reduce temp to 225°F, and cook to desired internal temp.
Roast	Roast	425°F (220°C) / 325°F (165°C)	2	see note	Rare 135°F (60°C)	Roast for 30 min at 425°F, reduce temp to 325°F, and cook to desired internal temp.
Slow roast	Bake	300°F (150°C)	2			Place in covered dish with liquid ¼ the height of the meat.
Steaks (< 1" thick)	Broil	High	5	10–15 min		Turn over at 6 min.
Steaks (> 1" thick)	Broil	High	5	10–20 min		Turn over at 8 min.
Tenderloin	Conv Roast	450°F (230°C)	3	10–20 min/lb	Rare 130°F (55°C)	
<b>POULTRY</b>						
Chicken, bone-in	Conv Roast	325°F (165°C)	5	20–25 min	Thigh 180°F (80°C)	
Chicken boneless breast (flattened to ½" thick)	Broil	Med	5	10–15 min		Turn over halfway through broiling.
	Conv Roast	350°F (175°C)	3	15–20 min	Breast 165°F (75°C)	
Chicken quarters, thighs	Broil	Med	5	20–25 min		Turn over halfway through broiling.
	Roast	350°F (175°C)	3	30–40 min	Thigh 180°F (80°C)	
	Conv Roast	325°F (165°C)	3	30–40 min	Thigh 180°F (80°C)	
	Bake	350°F (175°C)	3	30–40 min	Thigh 180°F (80°C)	
Chicken, whole	Conv Roast	325°F (165°C)	2	10–20 min/lb	Thigh 180°F (80°C)	
Cornish hen	Conv Roast	325°F (165°C)	3	1 hour	Thigh 180°F (80°C)	
	Roast	350°F (175°C)	3	1 hour	Thigh 180°F (80°C)	
Duck	Conv Roast	325°F (165°C)	2	15–20 min/lb	Thigh 180°F (80°C)	
Goose	Conv Roast	325°F (165°C)	2	15–20 min/lb	Thigh 180°F (80°C)	
Turkey breast, whole	Conv Roast	325°F (165°C)	2	15–20 min/lb	Breast 165°F (75°C)	
	Roast	350°F (175°C)	2	15–20 min/lb	Breast 165°F (75°C)	
Turkey pieces	Conv Roast	325°F (165°C)	3	30–40 min	Thigh 180°F (80°C)	
	Roast	350°F (175°C)	3	30–40 min	Thigh 180°F (80°C)	
Turkey, whole (brined)	Bake	350°F (175°C)	1	10–15 min/lb	Thigh 180°F (80°C)	
Turkey, whole	Conv Roast	325°F (165°C)	1	10–15 min/lb	Thigh 180°F (80°C)	
	Roast	325°F (165°C)	1	10–15 min/lb	Thigh 180°F (80°C)	

Consuming raw or undercooked meats, poultry, seafood, shellfish, or eggs may increase your risk of foodborne illness.

## Wolf Cooking Guide

FOOD	MODE	OVEN TEMP	RACK	TIME	PROBE TEMP	NOTES
<b>PORK</b>						
Chops, steaks (½" thick)	Broil	High	5	5–10 min		Turn over halfway through broiling.
	Conv Roast	350°F (175°C)	3	10–15 min		
Ham steak (< 1" thick)	Broil	High	5	5–10 min		Turn over halfway through broiling.
Ham steak (> 1" thick)	Broil	High	5	10–15 min		Turn over halfway through broiling.
Ham, whole	Bake	335°F (170°C)	2	10–15 min/lb	160°F (70°C)	Cover and rest 15 min.
Ribs	Bake	300°F (150°C)	3			Place in foil packets or covered dish with liquid ¼ the height of the meat.
Slow roast	Bake	300°F (150°C)	2			Place in covered dish with liquid ¼ the height of the meat.
Tenderloin	Conv Roast	400°F (205°C)	3	15–20 min/lb	Rare 130°F (55°C)	
<b>LAMB</b>						
Chops, steaks (¾" thick)	Broil	High	5	5–10 min		Turn over halfway through broiling.
Crown rack	Conv Roast	325°F (165°C)	2	15–20 min/lb	145°F (65°C)	
Leg	Conv Roast	425°F (220°C) / 325°F (165°C)	2	see note	145°F (65°C)	Roast for 30 min at 425°F, reduce temp to 325°F, and cook to desired internal temp.
Veal roast	Conv Roast	300°F (150°C)	2	30–35 min/lb	140°F (60°C)	
<b>FISH</b>						
Fillet (< 1" thick)	Broil	Med	5	10–20 min		
Fillet (> 1" thick)	Conv Roast	375°F (190°C)	5	15–25 min		
<b>PIZZA</b>						
Calzones	Stone	375°F (190°C)	1	10–15 min		
French bread pizza	Broil	Med	5	10–15 min		
Homemade pizza	Stone	450°F (230°C)	1	5–15 min		
<b>VEGETABLES</b>						
Mixed vegetables	Conv Roast	400°F (205°C)	4	10–20 min		
Potatoes, sweet potatoes	Bake	350°F (175°C)	3	45–60 min		
<b>OTHER</b>						
Meatloaf	Roast	425°F (220°C) / 325°F (165°C)	2	see note	165°F (75°C)	Roast for 20 min at 425°F, reduce temp to 325°F, and cook to desired internal temp.
Nachos	Broil	Low	3	15–20 min		
One dish meals	Bake	350°F (175°C)	3	45–60 min	175°F (80°C)	
Quiche	Bake	350°F (175°C)	3	40–50 min		
Sausage, bratwurst (fresh)	Broil	Med	5	10–15 min		Turn over halfway through broiling.

Consuming raw or undercooked meats, poultry, seafood, shellfish, or eggs may increase your risk of foodborne illness.

## Care Recommendations

### CLEANING

Use this information for simple cleaning recommendations.

#### Stainless steel

- 1 Use a non-abrasive stainless steel cleaner and apply with a soft lint-free cloth.
- 2 Lightly wipe the surface with a water-dampened micro-fiber cloth followed by a dry polishing chamois.
- 3 Always follow the grain of the stainless steel.

#### Oven racks and rack guides

- 1 Remove and place on a flat surface near the sink.
- 2 Clean with hot water and mild detergent or paste of baking soda and water.
- 3 Do not immerse in water.
- 4 Towel dry.

#### Control panel and touch screen

- 1 Touch and hold Lock for three seconds to lock the control panel and touchscreen. NOTE: Do not spray cleaners directly on the control panel or touchscreen.
- 2 Use a spray degreaser to remove fingerprints and food soil. Spray on a cloth before wiping the controls.

#### Oven interior

**IMPORTANT NOTE:** Remove all food spills (especially sugary, acidic, and tomato-based sauces) when the oven interior is safe to touch. Some blemishes are permanent, but do not affect the function of the porcelain.

- 1 Before using the Clean feature, use a razor blade to gently lift baked on foods from the oven cavity and window.
- 2 For stubborn stains, spray with a mild abrasive cleaner or spray degreaser and scrub with a no-scratch Scotch-Brite™ pad (pink or blue).
- 3 Wash the entire oven cavity with soap and water to remove cleaning chemicals before entering Clean mode. If residue is not cleaned from the cavity, etching of the porcelain may occur.
- 4 Once the Clean cycle is complete, allow the oven to cool completely and wipe out ash with a damp cloth.

#### Broiler pan

**IMPORTANT NOTE:** Do not place the pan in the dishwasher.

- 1 Discard grease and wash with hot water and mild detergent.
- 2 Rinse and dry.

#### Broiler pan rack

**IMPORTANT NOTE:** The rack is dishwasher safe.

- 1 To hand wash, use a mild detergent and scouring pad.
- 2 Rinse and dry.

## Troubleshooting

### OPERATION

Before contacting Factory Certified Service visit [subzero-wolf.com/assistance](http://subzero-wolf.com/assistance) or use these helpful tips to prevent the need for a service visit.

#### Oven does not operate.

- 1 Verify power is on. The oven automatically turns off after 12 hours of continual use, except in Dehydration or Sabbath.
- 2 Verify electrical power to the oven and home circuit breaker is on.
- 3 Turn off the unit at the circuit breaker or electrical supply source for 30 seconds, then turn on the power to the unit.
- 4 Enter a command using the control panel to see if it responds. For lower oven operation, first press Lower Oven.

#### No response from the control panel and touchscreen.

- 1 Cleanliness, temperature, and area of your finger used can make a difference in how the control responds.
  - Make sure your hands are clean when using controls.
  - Warm cold hands before pressing the control panel.
  - Use the pad or tip of your finger, not a fingernail to press the control keys or buttons.
- 2 Unit is in Sabbath (★ appears on the touchscreen).
- 3 Verify the unit is not locked. Touch and hold Lock for three seconds to unlock.
- 4 Turn the home circuit breaker to the unit off for 30 seconds then back on again. Retest the unit operation.

#### Oven temperature issue.

- 1 Allow the oven to fully preheat.
  - Preheating the oven for every mode other than broil is key to optimal cooking performance.
  - Varied results are expected if preheat temperatures are not reached before adding food to the oven.
- 2 If available, use the temperature probe to get more consistent cooking results.
- 3 If any of the following happen, a service call is necessary to expertly diagnose and repair the product:
  - Oven is not getting hot enough even though oven is set to the right temperature.
  - Preheat is showing completed but oven is still not hot.
  - Foods are not cooked or take a significantly long time to cook versus the recipe time or past experience.
  - Food is unevenly cooked after following manufacturer and recipe instructions.
  - Turning the heat up does not show any improvement to cook time or oven performance.
- 4 Contact Wolf Customer Care at 800-222-7820.

## Troubleshooting

### OPERATION

#### **"Probe Shorted" is displayed on the touchscreen.**

- 1 Touch Off. Verify the probe connector is fully seated into the receptacle. Reset the oven temperature and probe temperature.

#### **Error message is displayed during clean cycle.**

- 1 For double ovens, if one oven is in an active clean cycle, the other oven can not be used.

#### **Oven "pops" or "bangs" during preheat or cool down.**

A popping noise is normal with new oven cavity expansion and contraction.

- 1 Run self-clean to help reduce noise.
- 2 Ovens may take several uses for the expansion noise to dissipate. If it persists, contact Wolf Customer Care at 800-222-7820.

### SERVICE

- 1 Maintain the quality built into your product by contacting Wolf Factory Certified Service. For the name of the nearest Wolf Factory Certified Service, check the Product Support section of our website, [wolfappliance.com](http://wolfappliance.com), or call Wolf Customer Care at 800-222-7820.
- 2 When contacting service, you will need the model and serial number of your product. Both numbers are listed on the product rating plate. Refer to page 5 for rating plate location.
- 3 For warranty purposes, you will also need the date of installation and name of your authorized Wolf dealer. This information should be recorded on page 3 of this guide.

## Wolf Appliance Residential Limited Warranty

### FOR RESIDENTIAL USE

#### FULL TWO YEAR WARRANTY\*

For two years from the date of original installation, this Wolf Appliance product warranty covers all parts and labor to repair or replace, under normal residential use, any part of the product that proves to be defective in materials or workmanship. All service provided by Wolf Appliance under the above warranty must be performed by Wolf Factory Certified Service, unless otherwise specified by Wolf Appliance, Inc. Service will be provided during normal business hours.

#### LIMITED FIVE YEAR WARRANTY

For five years from the date of original installation, Wolf Appliance will repair or replace the following parts that prove to be defective in materials or workmanship: gas burners (excludes appearance), electric heating elements, blower motors (ventilation hoods), electronic control boards, magnetron tubes and induction generators. If the owner uses Wolf Factory Certified Service, the service provider will repair or replace these parts with the owner paying for all other costs, including labor. If the owner uses non-certified service, the owner must contact Wolf Appliance, Inc. (using the information below) to receive repaired or replacement parts. Wolf Appliance will not reimburse the owner for parts purchased from non-certified service or other sources.

#### TERMS APPLICABLE TO EACH WARRANTY

The warranty applies only to products installed for normal residential use. The warranty applies only to products installed in any one of the fifty states of the United States, the District of Columbia or the ten provinces of Canada. This warranty does not cover any parts or labor to correct any defect caused by negligence, accident or improper use, maintenance, installation, service or repair.

**THE REMEDIES DESCRIBED ABOVE FOR EACH WARRANTY ARE THE ONLY ONES THAT WOLF APPLIANCE, INC. WILL PROVIDE, EITHER UNDER THIS WARRANTY OR UNDER ANY WARRANTY ARISING BY OPERATION OF LAW. WOLF APPLIANCE, INC. WILL NOT BE RESPONSIBLE FOR ANY CONSEQUENTIAL OR INCIDENTAL DAMAGES ARISING FROM THE BREACH OF THIS WARRANTY OR ANY OTHER WARRANTY, WHETHER EXPRESS, IMPLIED OR STATUTORY.**

Some states do not allow the exclusion or limitation of incidental or consequential damages, so the above limitation or exclusion may not apply to you. This warranty gives you specific legal rights and you may also have other legal rights that vary from state to state.

To receive parts and/or service and the name of Wolf Factory Certified Service nearest you, contact Wolf Appliance, Inc., P.O. Box 44848, Madison, WI 53744; check the Product Support section of our website, [wolfappliance.com](http://wolfappliance.com), email us at [customerservice@subzero.com](mailto:customerservice@subzero.com) or call 800-222-7820.

\*Stainless steel (doors, panels, handles, product frames and interior surfaces) are covered by a limited 60-day parts and labor warranty for cosmetic defects.

\*Replacement filters for ventilation hood recirculating kits are not covered by the product warranty.





WOLF APPLIANCE, INC. P.O. BOX 44848 MADISON, WI 53744 WOLFAPPLIANCE.COM 800.222.7820

9028911 REV-C

6/2021

