

# NX60A6711SS

SAMSUNG

## Samsung Smart Freestanding Gas Range with Air Fry, Convection+ & Stainless Steel Cooktop

6.0 cu. ft. Capacity



### Signature Features

#### Stainless Cooktop

- Our Stainless Steel design completely covers all cooktop and backguard surfaces, elevating the look of any kitchen.

#### Air Fry

- A healthier way to prepare your favorite fried foods right in your oven with little to no oil.\* No preheating required. Air Fry tray included.

\*As compared to deep frying.

#### Convection+

- Powerful Convection+ saves you time by cooking food fast and more evenly. Fan with a heated element circulates hot air in the oven for perfect baking and roasting.

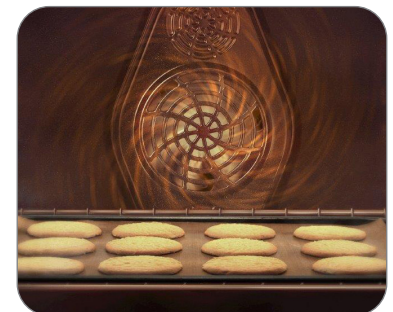
### Available Colors

 Fingerprint Resistant  
Stainless Steel (shown)

 Fingerprint Resistant  
Black Stainless Steel



Air Fry



Convection+

### Features

- Stainless Steel Cooktop
- Air Fry, Tray Included
- Convection+
- Large Oven Capacity – 6.0 cu. ft.
- Extra Oven Settings - Bread Proof, Dehydrate, Favorite Cook, Keep Warm
- Removable Non-Stick Griddle
- Edge-to-Edge Grates
- Storage Drawer

- Flexible Cooktop:  
Five Burner Cooktop
  - Right Front: 18K BTU Dual Ring
  - Left Front: 17K BTU
  - Right Rear: 5K BTU
  - Left Rear: 9.5K BTU
  - Center (Oval): 10K BTU

### Convenience

- Wi-Fi
- Voice Control
- SmartThings Cooking
- Convection+
- Self Clean
- Sabbath Mode
- Child Safety Lock
- Delay Start
- Auto Oven Light
- Kitchen Timer



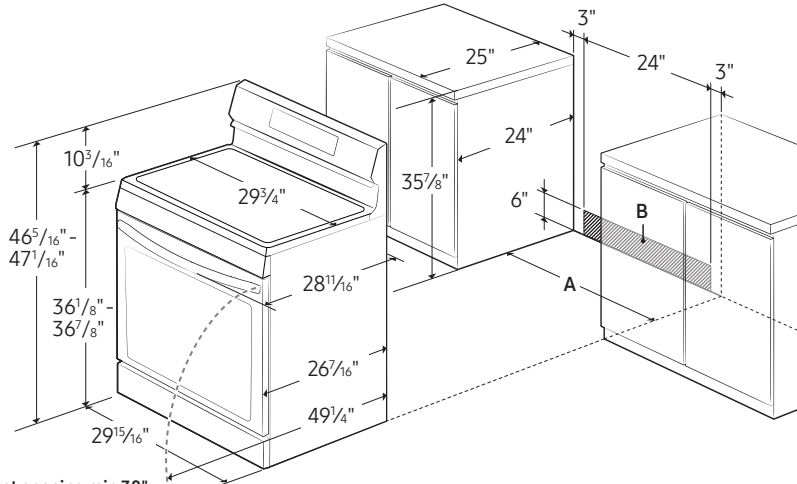
# NX60A6711SS

**SAMSUNG**

## Samsung Smart Freestanding Gas Range with Air Fry, Convection+ & Stainless Steel Cooktop

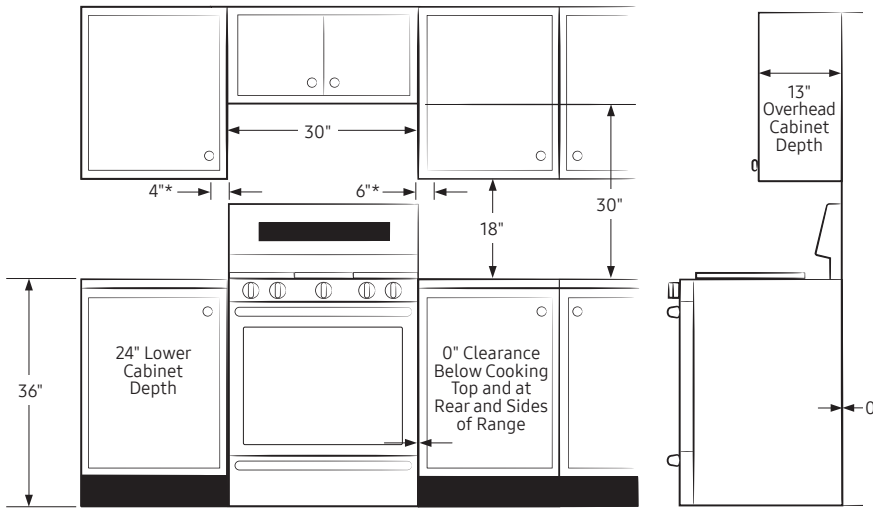
6.0 cu. ft. Capacity

### Installing Your Range



A: Cabinet opening min 30"  
B: Acceptable electrical outlet area

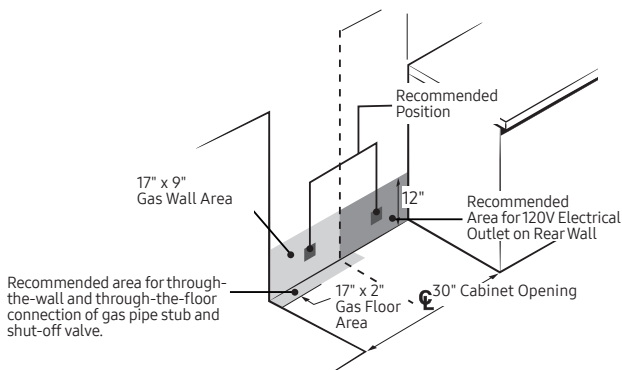
**IMPORTANT:** If your cabinets are over 36<sup>3</sup>/<sub>4</sub>" high, you must install this range on a hard, heat-resistant support that raises the surface of the range so that it is about even with the countertop.



\* Side clearance above cooking surface to any objects, i.e., wall.

**IMPORTANT:** Consult with Installation Manual for detailed instructions before installing. All ranges must be installed with the Anti-Tip device that is included.

### Recommended Locations for Gas Piping and Electrical Outlets



### Power Source

120V/60 Hz/20A

### Total Power (BTU)

59,500 BTU

### 5-Burner Cooktop

- Right Front: 18K BTU, Dual Ring
- Left Front: 17K BTU
- Right Rear: 5K BTU
- Left Rear: 9.5K BTU
- Center (Oval): 10K BTU

### Oven

- Capacity: 6.0 cu. ft.
- Convection Element/Heater
- Convection Bake
- Convection Roast
- Bake
- Variable Broil: Low/High
- Air Fry
- Bread Proof
- Dehydrate

### Warranty

One (1) Year Parts and Labor

### Product Dimensions & Weight (WxHxD)

Oven Interior Dimensions:

24<sup>13</sup>/<sub>16</sub>" x 21<sup>5</sup>/<sub>8</sub>" x 19<sup>5</sup>/<sub>8</sub>"

Outside Net Dimensions:

29<sup>15</sup>/<sub>16</sub>" x 46<sup>5</sup>/<sub>16</sub>"-47<sup>1</sup>/<sub>16</sub>" (Adjustable) x 28<sup>11</sup>/<sub>16</sub>"

Weight: 187 lbs

### Shipping Dimensions & Weight (WxHxD)

Dimensions:

33<sup>1</sup>/<sub>16</sub>" x 50<sup>9</sup>/<sub>16</sub>" x 30<sup>5</sup>/<sub>16</sub>"

Weight: 211 lbs

### Color

Fingerprint Resistant

Stainless Steel

### Model #

NX60A6711SS

### UPC Code

887276509617

Fingerprint Resistant

Black Stainless Steel

NX60A6711SG

887276509600



Actual color may vary. Design, specifications, and color availability are subject to change without notice. Non-metric weights and measurements are approximate.

©2022 Samsung Electronics America, Inc. 85 Challenger Road, Ridgefield Park, NJ 07660. Tel: 800-SAMSUNG. samsung.com. Samsung is a registered trademark of Samsung Electronics Co. Ltd.