



dacor[®]

Installation Instructions

Wine Dispenser

DWS4000BB



Content

Before You Begin	4
Important Notes	4
Safety Symbols and Labels	4
Important Safety Instructions	5
Important Information About Safety Instructions	5
California Proposition 65 Warning	5
General Safety Precautions	6
Electrical Requirements	7
Location Requirements	7
Unpacking the Appliance	8
Verify the Package Contents	9
Installation Specifications	9
Wine Dispenser Specs	9
Flush Installation	10
Standard Installation	11
Installation Instructions	12
Installation Checklist	13
Door Reversal	14

Sommaire

Avant de commencer	22
Notes importantes	22
Symboles et étiquettes de sécurité	22
Consignes de sécurité importantes	23
Informations importantes sur les consignes de sécurité	23
Avertissement Prévu Par La Proposition 65 De La Californie	23
Précautions Générales De Sécurité	24
Exigences électriques	25
Exigences pour l'emplacement	25
Déballage de l'appareil	26
Vérifier le contenu du colis	27
Spécifications de l'installation	27
Caractéristiques du distributeur de vin	27
Installation à fleur	28
Installation Standard	29
Instructions d'installation	30
Check-list de l'installation	31
Inversion de la porte	32



Índice

Antes de comenzar	39
Notas Importantes	39
Etiquetas y Símbolos de Seguridad	39
Instrucciones de Seguridad Importantes	40
Información importante sobre las instrucciones de seguridad	40
Advertencia De La Proposición 65 California	40
Precauciones Generales De Seguridad	41
Requisitos eléctricos	42
Requisitos de ubicación	42
Desembalaje del aparato	43
Verifique el contenido del paquete	44
Especificaciones de Instalación	44
Especificaciones del Dispensador de Vino	44
Instalación Empotrada	45
Instalación Estándar	46
Instrucciones de instalación	47
Lista de comprobación de la instalación	48
Puerta Reversible	49



Before You Begin

Important Notes

Installer

- To promote safety and minimize problems, read this manual thoroughly before starting the installation. Leave this manual with the user.
- Write the appliance's model/serial numbers in this manual for service/ maintenance reference.
- Model/serial numbers are on the data label as shown in diagrams.

User

- Keep this manual for personal reference and the local building inspectors use.

Safety Symbols and Labels

DANGER

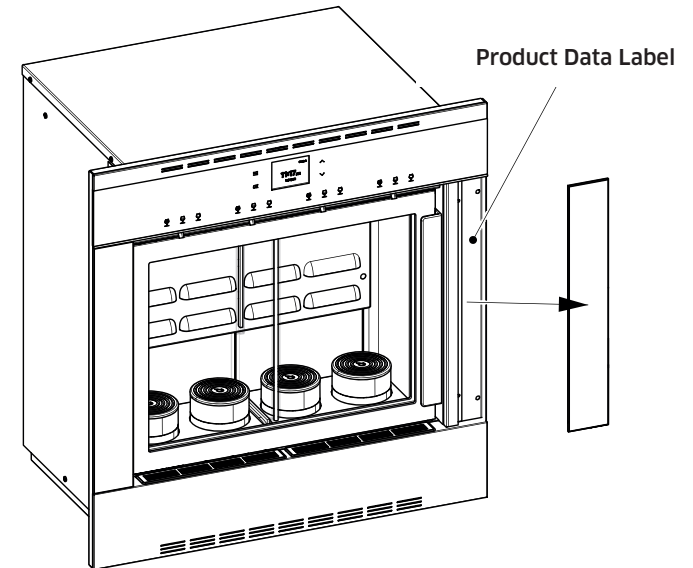
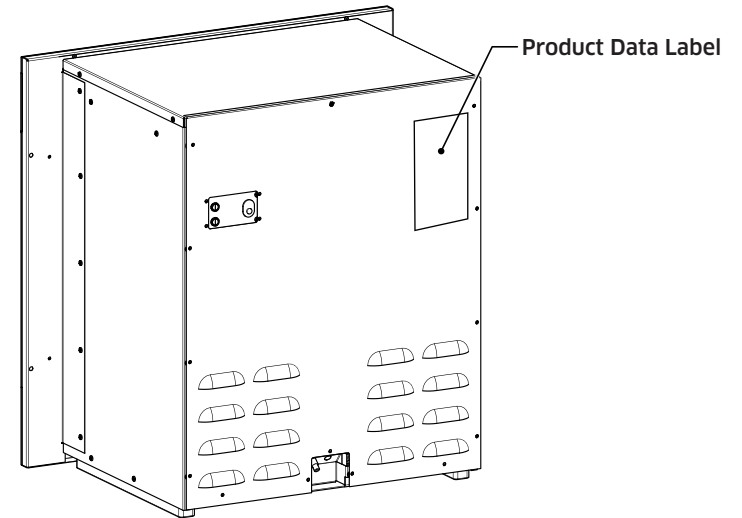
Immediate hazards that WILL result in severe personal injury or death.

WARNING

Hazards or unsafe practices that COULD result in severe personal injury or death.

CAUTION

Hazards or unsafe practices that MIGHT result in minor personal injury or property damage.



SAVE THESE INSTRUCTIONS



Important Safety Instructions

Important Information About Safety Instructions

- The Important Safety Instructions and WARNINGS in these instructions are not meant to cover all possible problems and conditions that can occur. Use common sense and caution when installing, maintaining or operating this or any other appliance.
- Always contact the Dacor Customer Service Team about problems and conditions that you don't understand.

CALIFORNIA PROPOSITON 65 WARNING

WARNING

Cancer and Reproductive Harm - www.P65Warning.ca.gov.

DANGER IMPORTANT:

- Do not store or use combustible, flammable or explosive vapors and liquids (such as gasoline) inside or in the vicinity of this or any other appliance.
- Use only the argon gas cylinder type specified in this manual with this appliance. Use of any other type of gas or cylinder may result in explosion, fire and personal injury.

WARNING

- R-600a is used as a refrigerant. This product contains flammable gas (Refrigerant R-600a), contact your local authority in regards to safe disposal of this product.

WARNING

Failure to follow the instructions in this manual properly may result in personal injury, death or damage to the appliance. Dacor cannot be held responsible for damage to property or injury to persons caused by failure to comply with the safety and installation instructions contained in this manual.

DANGER

ELECTRIC SHOCK HAZARD:

- Never touch the power cord with wet hands.
- Make sure the electrical outlet the unit is connected to is freely accessible at all times so that the appliance can be unplugged when necessary.
- NEVER unplug the appliance by pulling on the power cord. Always grip the plug firmly and pull it straight out from the electrical outlet.
- If the appliance is faulty, do not attempt to repair it yourself. Turn it off, unplug it from the electrical outlet and call a qualified service technician.
- Do not operate or install the appliance if the power plug or power cable is damaged or frayed. Have it replaced by a qualified service technician.
- When moving the appliance away from the wall, be careful not to roll over or damage the power cord.

SAVE THESE INSTRUCTIONS



Important Safety Instructions

GENERAL SAFETY PRECAUTIONS

To reduce the risk of fire, electric shock, serious injury or death when using your appliance, follow basic safety precautions, including the following:

⚠ WARNING

- If the appliance is damaged, immediately contact the dealer. Do not install or use a damaged appliance.
- This appliance must be properly installed according to these installation instructions before use.
- Read the accompanying use and care manual completely before operating this appliance.
- The installer must show the customer the location of the electrical outlet and how to disconnect power to the wine dispenser.
- Do not install, repair or replace any part of the appliance unless specifically recommended in the literature accompanying it. A qualified service technician should perform all other service.
- Before performing any type of service or part removal, turn the unit off and make sure that the appliance power plug is disconnected from the electrical outlet or power is disconnected at the circuit breaker panel or fuse box.
- Use only the gas cylinders designed for use with this product. They are specified in the use and care manual.
- Keep all packaging materials away from children. Plastic sheets and bags can cause suffocation.
- To prevent bursting, do not expose the argon gas cylinders to open flame. Store and use the cylinders at temperatures below 130°F (54°C). Do not dispose of the gas cylinders in fire or an incinerator.
- Store and use the appliance and the argon gas cylinders only in areas with adequate ventilation. Do not directly inhale argon gas.
- Do not leave children alone or unattended in the area around the appliance. Do not allow children to play with the controls, to open and close the doors or touch other parts of the appliance. Keep gas cylinders out of reach of children.
- Do not place your hands or fingers in area of moving parts. NEVER place fingers or hands into the bottle bay assembly. Personal injury may result. Call a qualified service technician to diagnose any problems in the bottle bay or behind enclosed panels.
- Only allow the use of the wine dispenser to individuals who are able to operate it properly.
- Never allow anyone, including children, to sit, stand, or climb on any part of the appliance. Doing so may cause damage, serious injury or death. Do not allow children to play with the controls or touch other parts of the appliance.
- Clean this appliance only in the manner indicated in the use and care manual and use only the cleaning agents specified.
- Do not use a steam or pressure cleaner to clean the wine dispenser or any part of it. Damage caused by cleaning the unit in this manner could result in electric shock, fire or explosion.
- To avoid an electric shock hazard or other personal injury, do not put body parts or any other objects into any opening, air vent, the base grill or bottom of the appliance.
- Care should always be taken when handling pressurized gas. Make sure the proper tubing and shut-off valves are always used.
- This appliance is not suitable for installation in an area where a water jet could be used.

Important Safety Instructions

Electrical Requirements

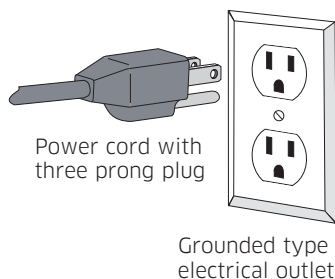
⚠ WARNING

To prevent an electric shock hazard, the electrical outlet and supply must meet the specifications stated below.

It is the owner's responsibility to make sure that the electrical service meets electrical requirements and that the electrical outlet has been properly installed by a licensed electrician.

Do not, under any circumstances:

- Cut or remove the third (ground) prong from the power cord.
- Use an adapter plug.
- Modify the power cord.
- Connect the appliance to an extension cord. The three prong electrical outlet for this appliance must be located within 6.5ft (198 cm) of the unit to make sure the power cord can reach.



- The electrical outlet installation, including minimum supply wire size and grounding, must be done in accordance with National Electric Code ANSI/NFPA 70 and local codes and ordinances. A copy of this standard may be obtained from:

National Fire Protection Association
1 Batterymarch Park
Quincy, MA 02269-9101

- The correct voltage, frequency and amperage must be supplied to the electrical outlet from a grounded, dedicated, single phase circuit that is protected by a properly sized circuit breaker or time-delay fuse. If one is not installed, call a licensed electrician.
- The electrical outlet for the wine dispenser must be located to allow for easy access when the unit is installed for easy disconnection.

Location Requirements

⚠ WARNING

- **Electric Shock Hazard:** Due to the possibility of spillage during normal use, DO NOT install this appliance above or below any other appliance.
- To prevent tipping, do not install this appliance in an unrestrained, free-standing cabinet.
- Install this appliance only on a flat, level surface capable of supporting the appliance's weight.
- Operate it only in the upright position.
- This appliance is designed for indoor use. It may be used outdoors provided it is installed under cover in a dry location and operated within the required ambient (room) temperature.
- All maximum and minimum dimensions and clearances must be met or exceeded for safe operation and for proper fit in the cabinet.
- When determining the installation location, look for a location that is free of potential safety hazards that might interfere with the installation or operation of the unit or interfere with air circulation around the unit. The location needs to be clean, dry and free of any debris.
- A minimum area or cabinet opening of 14 3/16" H x 9" W x 4" D (36 cm H x 23 cm W x 10 cm D) must be provided nearby for the gas cylinder, regulator and gas line that supply Argon gas to the



Important Safety Instructions

unit. An area deeper than this is recommended to allow storage of additional gas cylinders. The disconnected gas cylinders are 11" H x 3" W (28 cm H x 7.6 cm W)

- The included gas supply line allows for the cylinder storage area to be as far as 6 feet from the wine dispenser. Holes in adjoining cabinets between the wine dispenser and the gas cylinder location must be 1 1/8" (2.9 cm) in diameter to allow the gas line and electrical plug to pass through.
- The wine dispenser must be installed at a safe distance from sources of heat, such as home appliances, in order to avoid an excessive rise in temperature.

⚠ WARNING

- Make sure to have at least 3" of space in the back of the dispenser to accommodate cabling and tubing.

⚠ WARNING

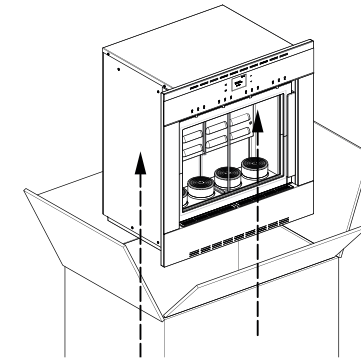
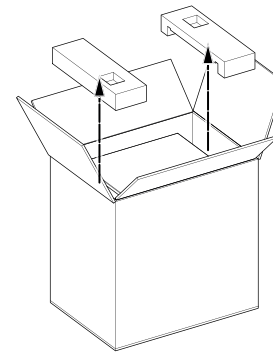
- If the electric outlet does not meet the specifications on page 8, do not proceed with the installation. Call a licensed electrician to install the proper electrical service before proceeding.
- Excessive weight hazard - Use two or more people to move and install the wine dispenser. Failure to do so can result in back or other injury.
- Protect your countertop and installation area! When moving the wine dispenser during installation, cleaning and or service, always lift and pull the unit straight out. Do not wiggle or walk the unit, because it may damage the countertop or the product.
- To avoid personal injury, use only the included gas pressure regulator or a Dacor specified replacement.

⚠ WARNING

- Keep ventilation openings of the appliance, or in the built-in structure, clear of obstruction.

Unpacking the Appliance

1. Move the box to the installation location.
2. Open the box along the taped closure.
3. Remove the accessories on top of the foam braces;
4. Remove the top foam braces.
5. Place the unit in front of the final installation location.

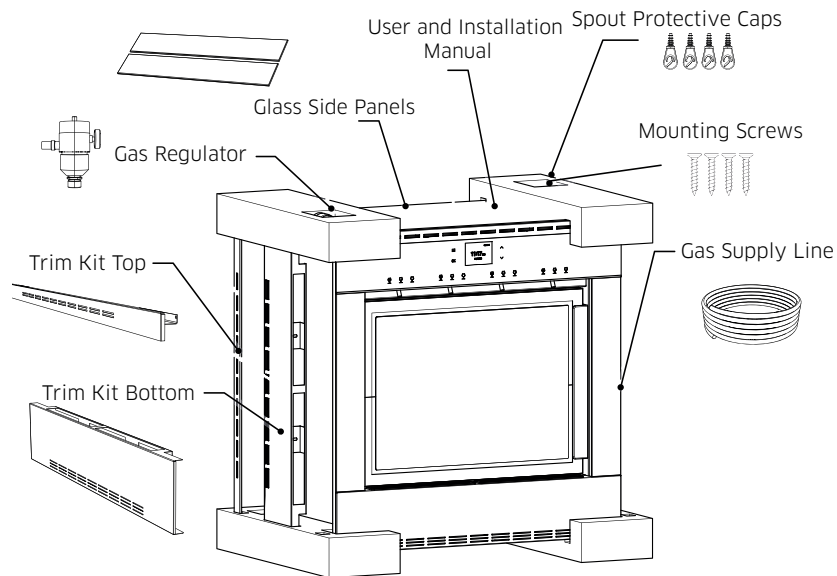


Verify the Package Contents

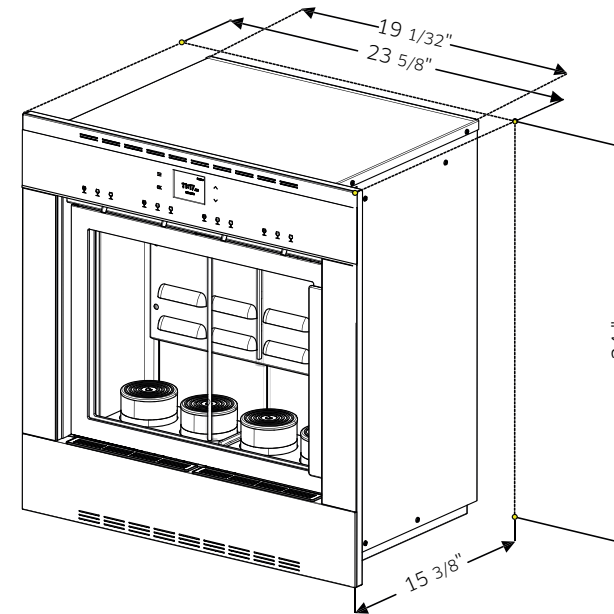
Check to make sure all the parts listed below are included in the shipping box. See the use and care manual for information about additional parts and accessories.

IMPORTANT: The required argon gas cylinder and the pickup tubes are not shipped with the system and must be ordered separately.

- Gas Regulator (1)
- Gas Supply Line (1)
- Spout Protective Caps (4)
- Graphite Stainless Trim Kit (1)
- Use and Care Manual (1)
- Installation Manual (1)
- Screws 4 x 3.5 mm x 30 mm wood screws (4)
- Glass Side Panels (2)



Installation Specifications

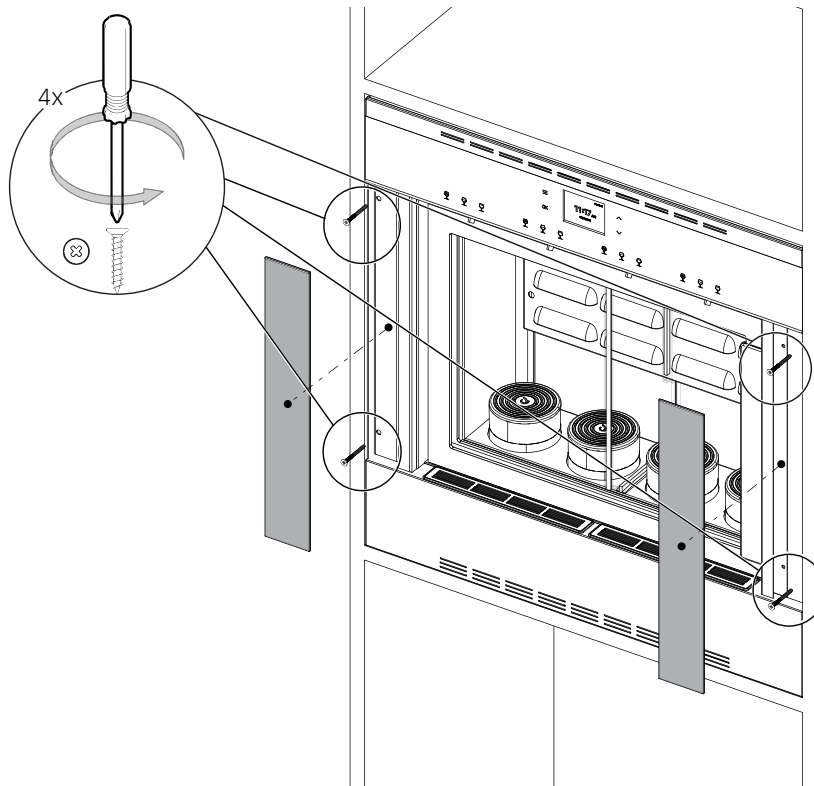


Wine Dispenser Specs

Bottle capacity	4
Power supply input requirements	120V 60Hz, 4 Amp. 3-wire dedicated, grounded, circuit required
Power cord length	6.5ft (198cm)
Appliance weight	85lbs (empty)
Operating (room) temperature	Min 59°F (15°C) - Max 82°F (28°C)
Height	24"
Width	23 5/8"
Depth	15 3/8"

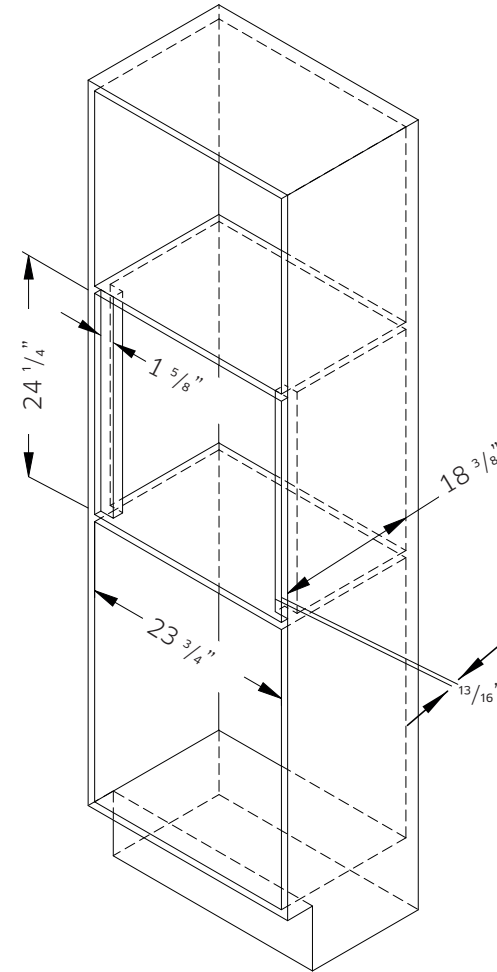


Flush Installation



Installation Specifications

All cabinet tolerances: +1/16" (+1.6 mm/-0 mm) unless otherwise stated.



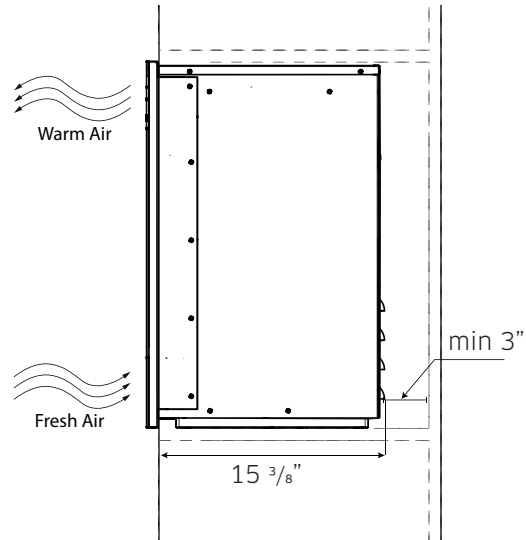
- A. Insert 4 #3.5mm x 30mm screws in the predrilled holes
- B. Attach the glass covers

Tools required

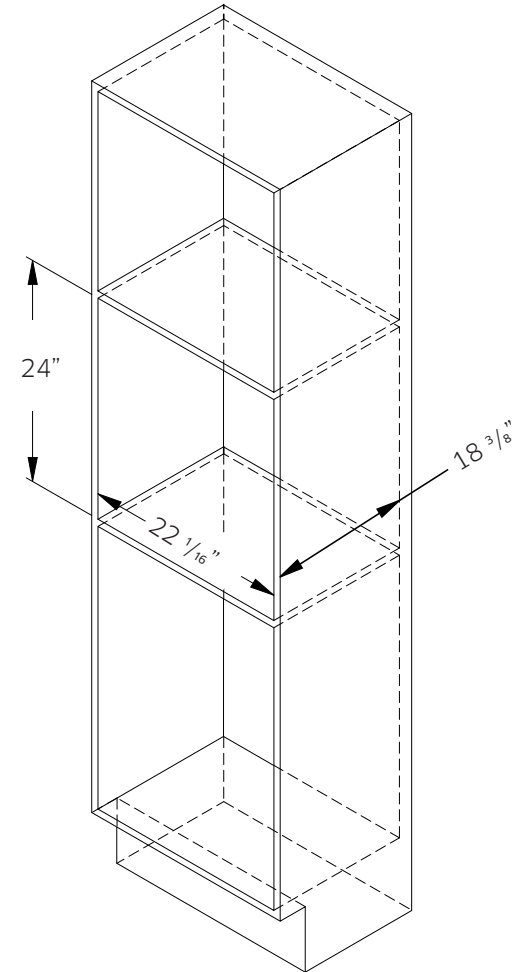
Tools	
	Philips Screwdriver - #3

Standard Installation

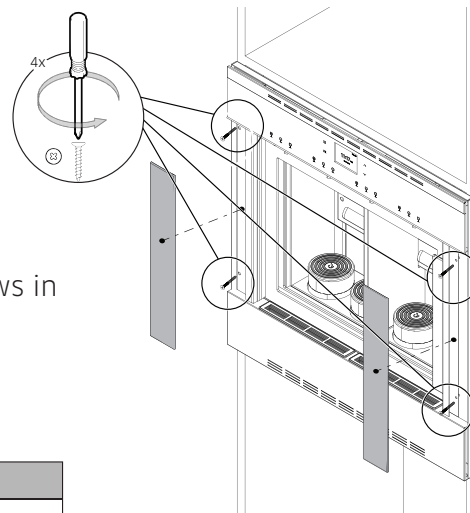
IMPORTANT: Leave at least 3" for cabling and tubing
Allow for Proper Air Circulation



All cabinet tolerances: +1/16" (+1.6 mm/-0 mm)
unless otherwise stated.



- A. Insert 4 #3.5mm x 30mm screws in the predrilled holes
- B. Attach the glass covers



Tools required

Tools	
	Philips Screwdriver - #3



Installation Instructions

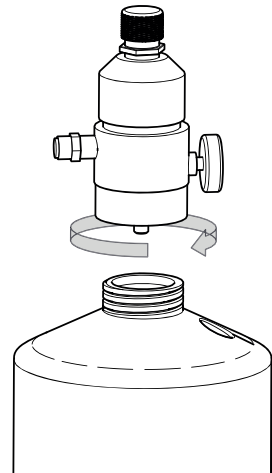
⚠ WARNING

To avoid personal injury, use only the included gas pressure regulator or a Dacor specified replacement.

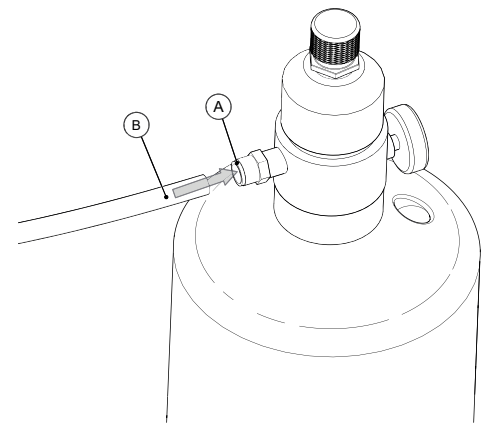
1. Before installation, make sure any access holes for the power cord and gas tubing have been drilled in adjoining cabinets as necessary to allow them to pass through to the electrical outlet and gas cylinder location.
2. Plug one end of the plastic gas tubing (provided) into the Compression fitting, then tighten at the back of the wine dispensing system.

IMPORTANT: Do not cut or shorten the gas supply line.

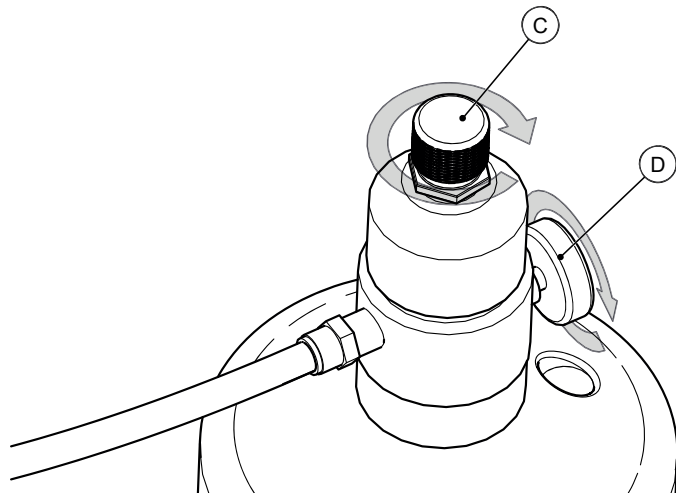
3. If required, route the plastic gas tubing through any access holes drilled in the adjoining cabinets.
4. If required, route the power cord through any access holes drilled in the adjoining cabinets.
5. Slowly and gently lift the unit up and back into the final location. As you do this, have someone gently pull the gas tubing and power cable through the access holes into the adjacent cabinets (if necessary). Exercise care to make sure that the power cord and gas line does not become kinked or damaged.
6. Find the gas regulator assembly shipped with the unit.
7. Make sure the regulator adjustment knob is turned all the way in the OFF direction.
8. Remove the plastic cap from the top of the argon gas cylinder



9. Insert the top of the gas cylinder into the bottom of the gas regulator assembly and turn it clockwise until it is snug. Do not overtighten.



10. Plug the end of the gas tubing leading from the wine dispenser (B) into the gas regulator assembly (A).



11. Make sure the gas line is not obstructed, then turn the regulator knob in the ON direction until it stops.
12. Plug the power cord into the electrical outlet.
13. Press Menu \equiv on the control panel to unlock the door

IMPORTANT: The door is locked by an electric lock. Do not try to open it when the power is disconnected.

Installation Checklist

⚠ WARNING


To ensure a safe and proper installation, the installer must complete the checklist below to ensure that no part of the installation has been overlooked. Proper installation is the responsibility of the homeowner.

- Has enough space been provided around the unit to allow for proper ventilation?
- Is the support platform strong enough to hold the weight of the unit?
- Does the electrical supply meet specifications.
- Is the plastic gas supply tubing attached to the back of the unit?
- Is the wine dispenser connected to the, grounded, three prong electrical outlet?
- Is the gas supply tubing connected to the gas regulator?
- Is the gas regulator attached to the argon gas cylinder?
- Is the gas regulator knob in the fully ON position?



Door Reversal

Tools required:

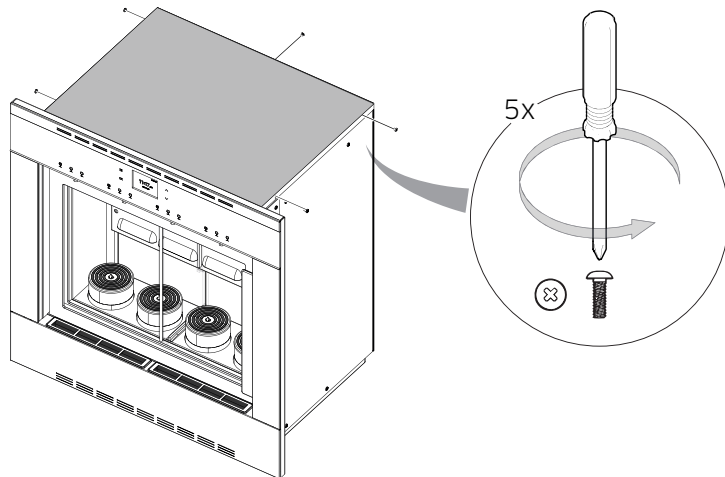
- Philips Screwdriver - #3 
- Hex screwdriver (metric) - 2.5mm
- Hex screwdriver (metric) - 3.5mm

⚠ WARNING

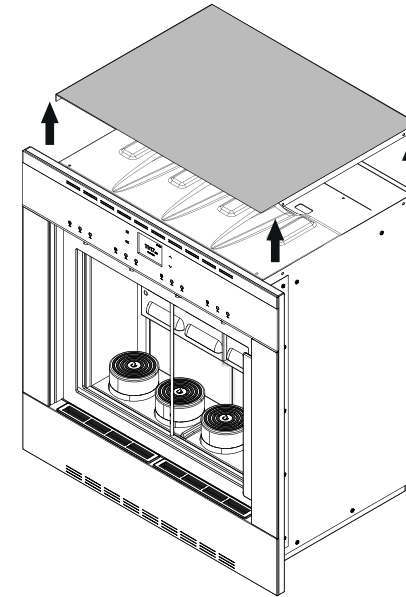
Unplug appliance from the electrical outlet before beginning these steps.

Steps:

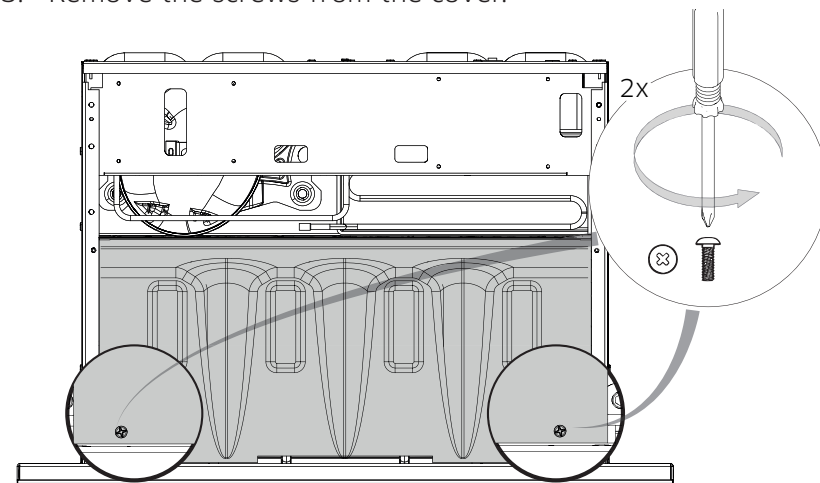
1. Remove the top lid screws.



2. Lift the lid and put it aside.

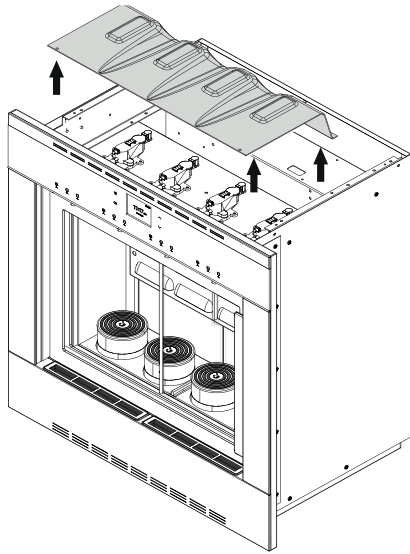


3. Remove the screws from the cover.

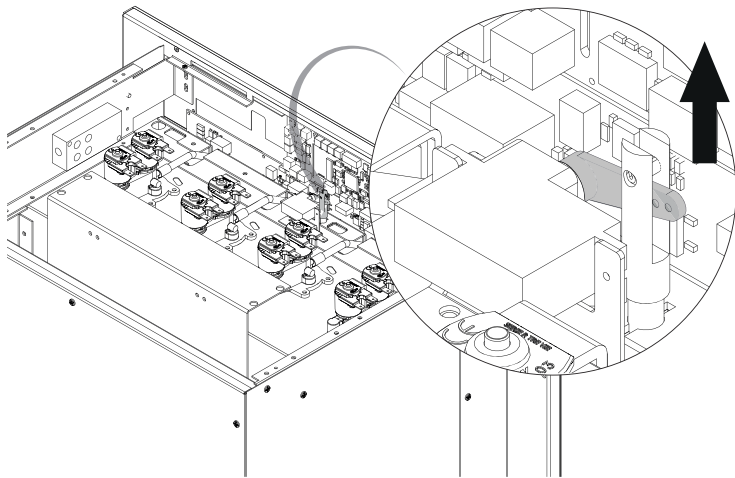




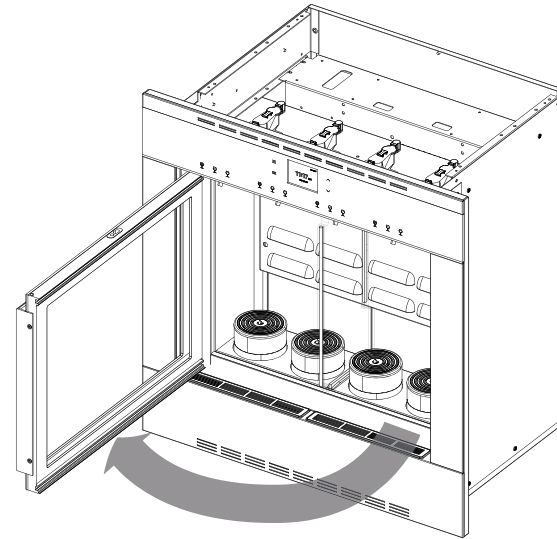
4. Lift the cover and put it aside.



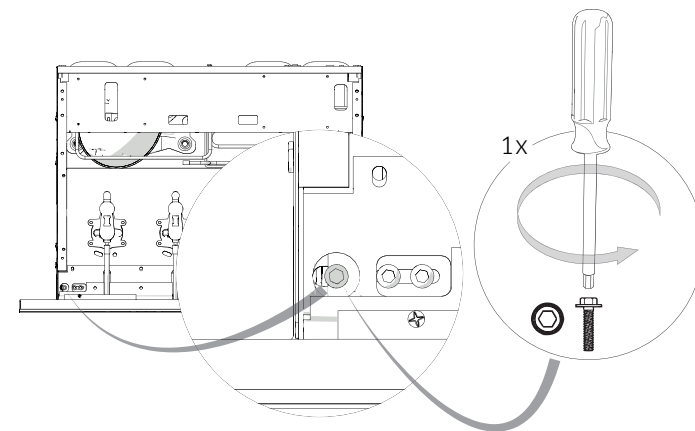
5. Lift the servocontrol lever to open the door.



6. Open the door.

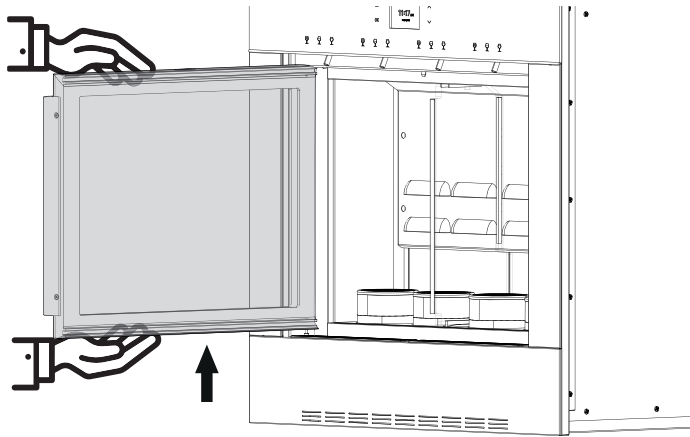


7. Remove the top door screw (M3.5 Hex screwdriver) while holding the door.

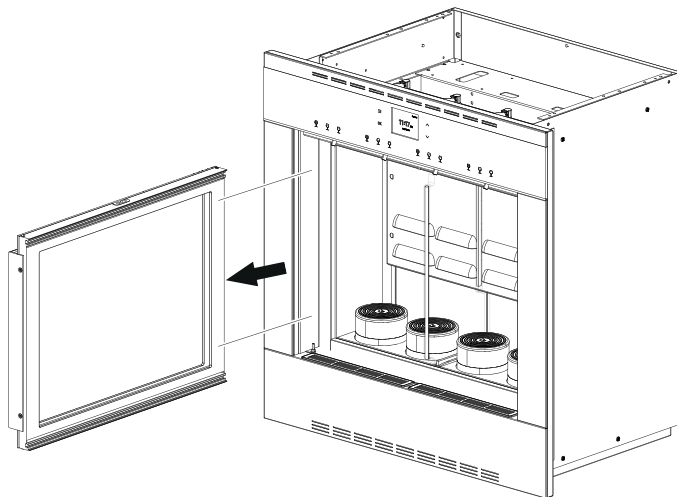




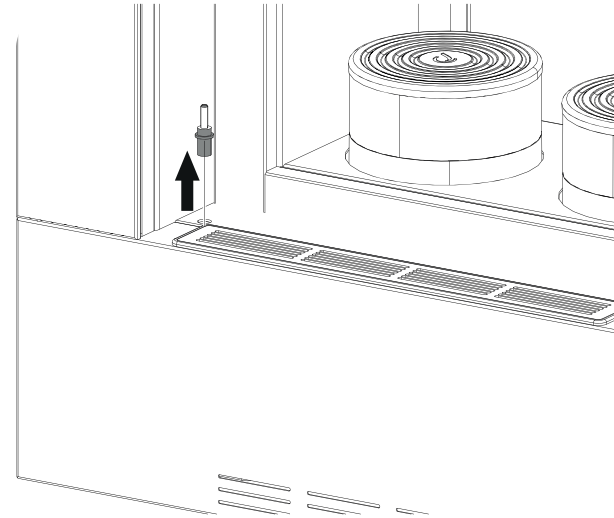
8. Lift the door keeping one hand at the top and one at the bottom.



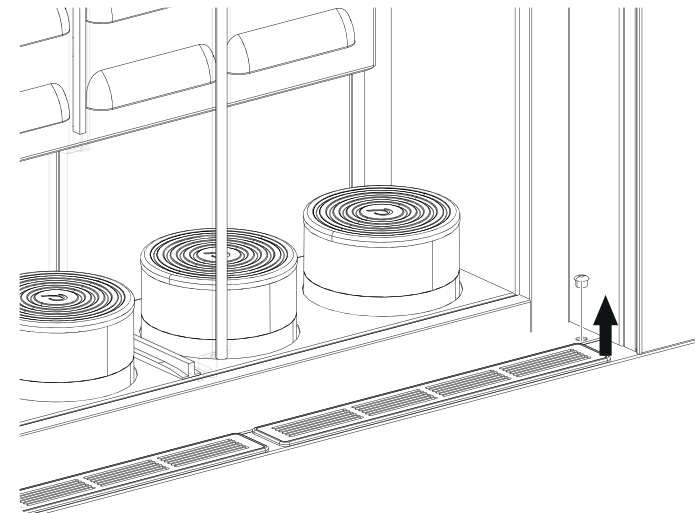
9. Pull the door keeping one hand at the top and one at the bottom.



10. Remove the pin and the pin holder.

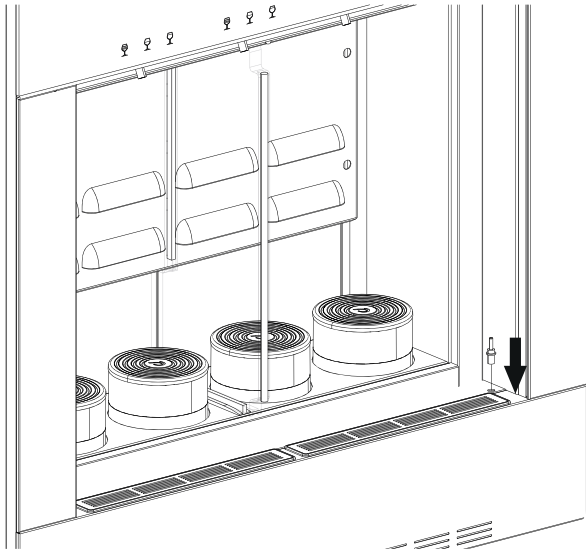


11. Remove the hole cover from the right hand side.

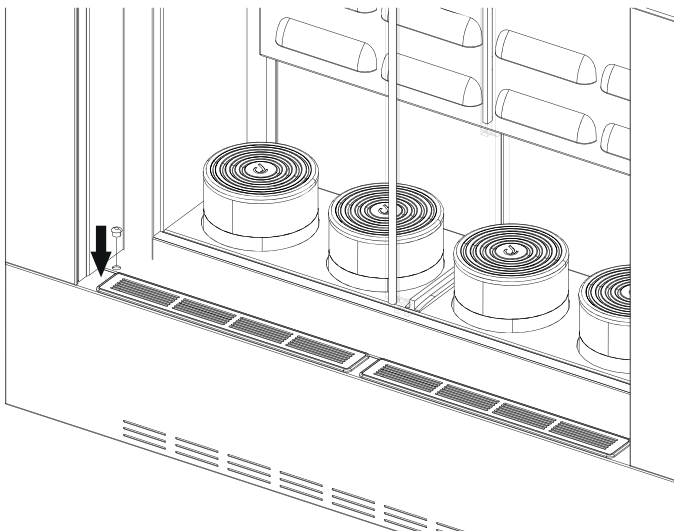




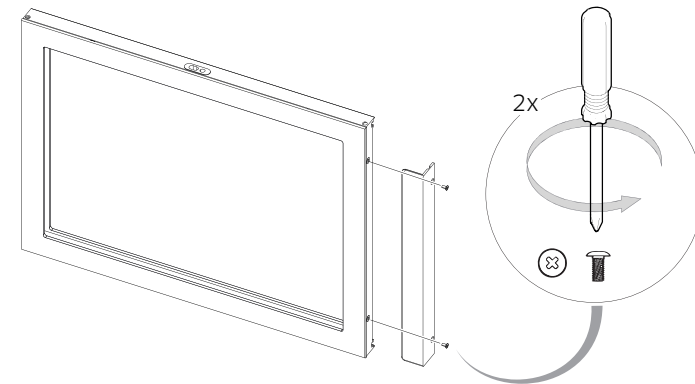
12. Insert the pin holder and the pin on the right side hole.



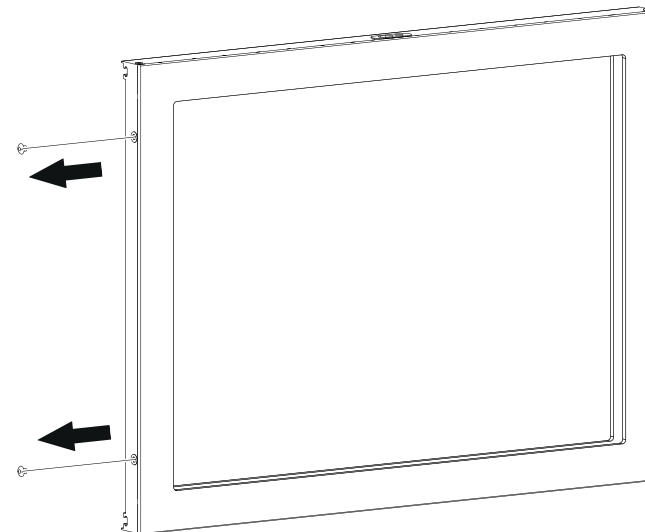
13. Insert the hole cover on the left side hole.



14. Remove the screws from the handle. (#3 Philips screwdriver)

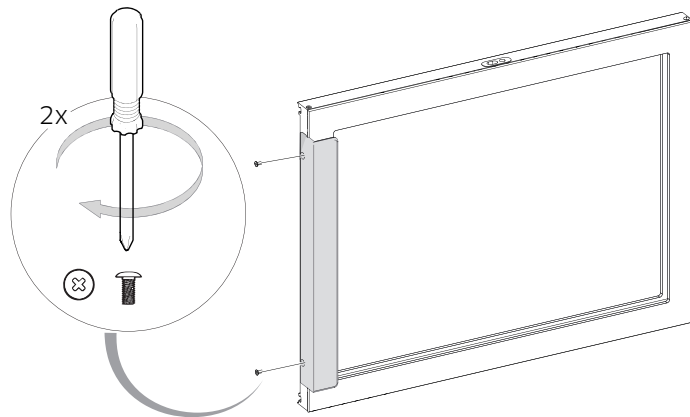


15. Remove the hole covers from the left side of the door.

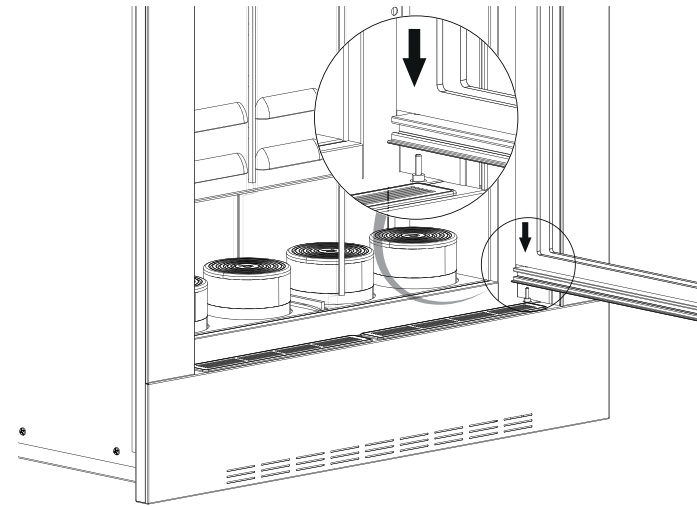




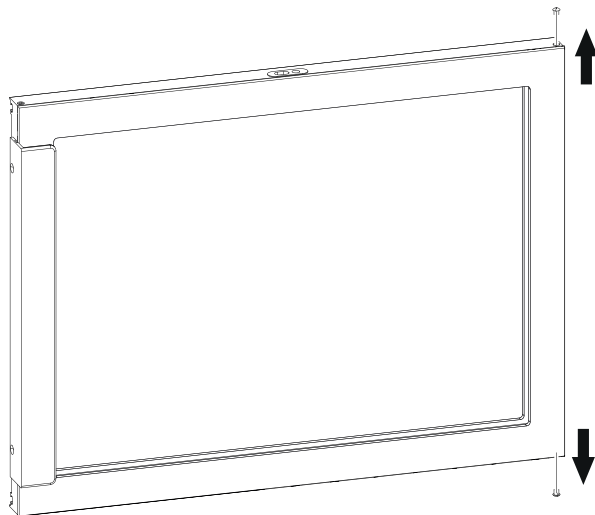
16. Place the handle on the left hand side of the door and screw it in place (#3 Philips screwdriver).



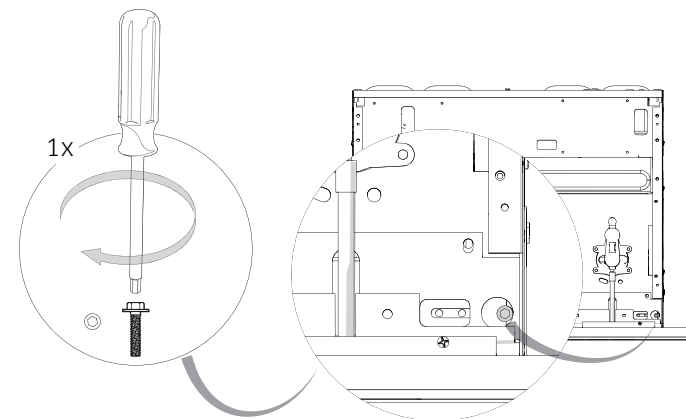
18. Place the door on the lower pin and hold it in place with one hand.



17. Remove the hole covers from the top and bottom right and put them on the top and bottom left side.

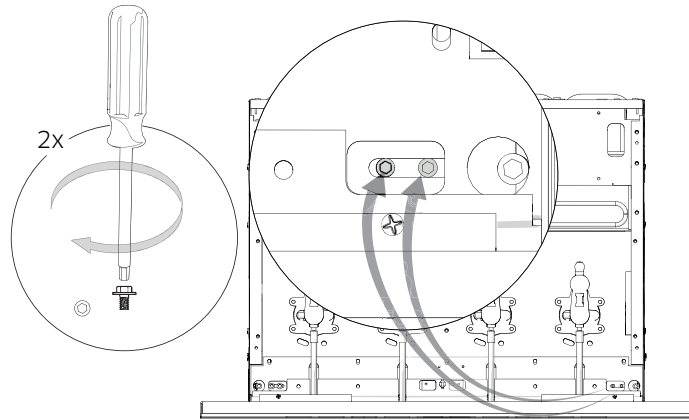


19. Insert the top screw (M3.5 Hex screwdriver) while holding the door with one hand.

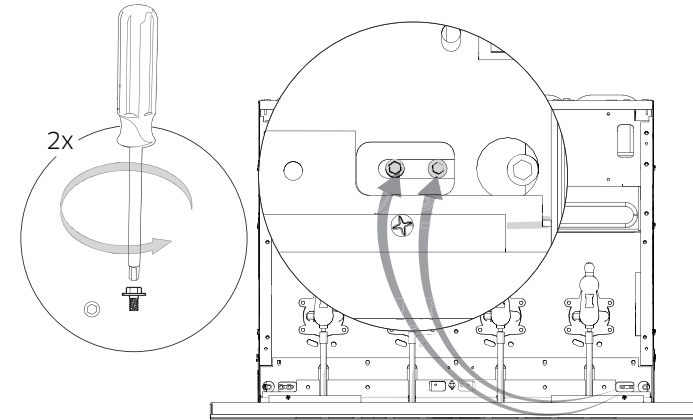




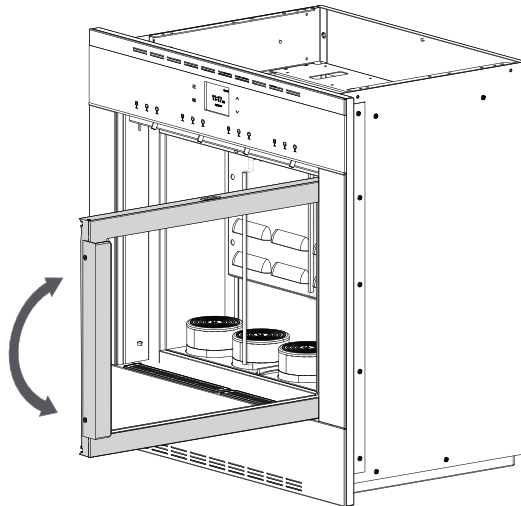
20. Slightly loose the two screws (M2.5 Hex screwdriver) in order to adjust the door tilt.



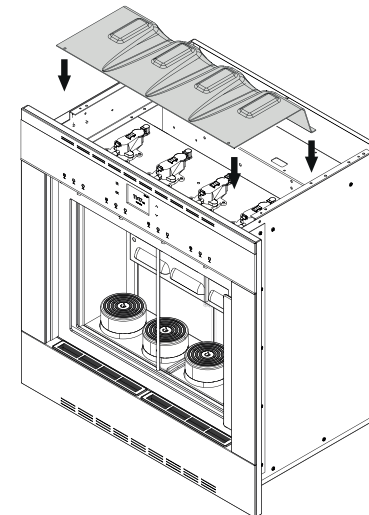
22. Tighten the two screws (M2.5 Hex screwdriver) and close the door.



21. Adjust the door to the desired tilt amount and keep it still with one hand.

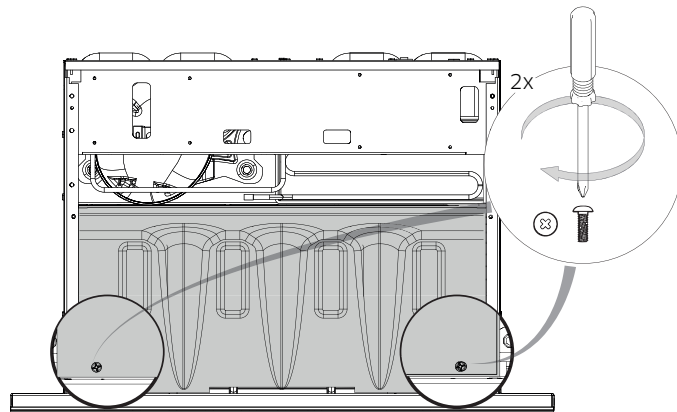


23. Put the cover back in place.

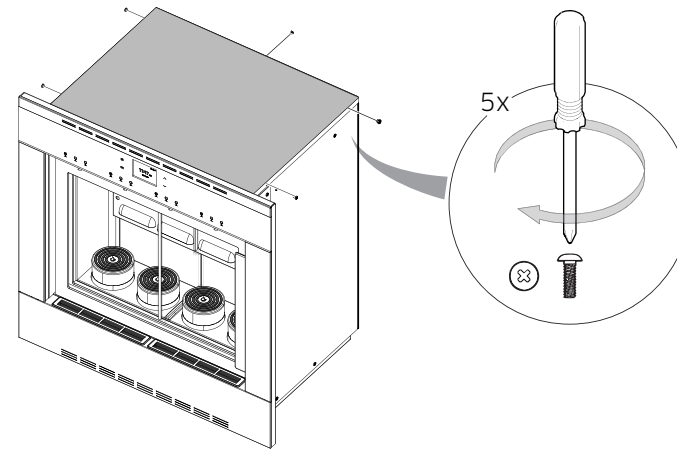




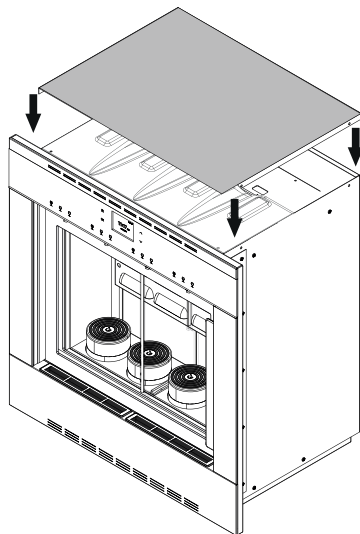
24. Insert the 2 screws back in.



26. Insert the 5 screws back in.



25. Put the lid cover back in place.



27. Plug the appliance back in.

Door Reversal

Avant de commencer

Notes importantes

Installateur

- Pour promouvoir la sécurité et de minimiser les problèmes, lire ce manuel dans son intégralité avant de commencer l'installation. Laisser ce manuel à l'utilisateur.
- Écrire le modèle et le numéro de série de cet appareil dans ce manuel pour toute référence pour l'entretien/la maintenance.
- Le modèle/numéro de série sont indiqués sur l'étiquette des données comme montré dans les schémas.

Utilisateur

- Conserver ce manuel pour toute référence personnelle et des inspecteurs de bâtiment locaux.

Symboles et étiquettes de sécurité

DANGER

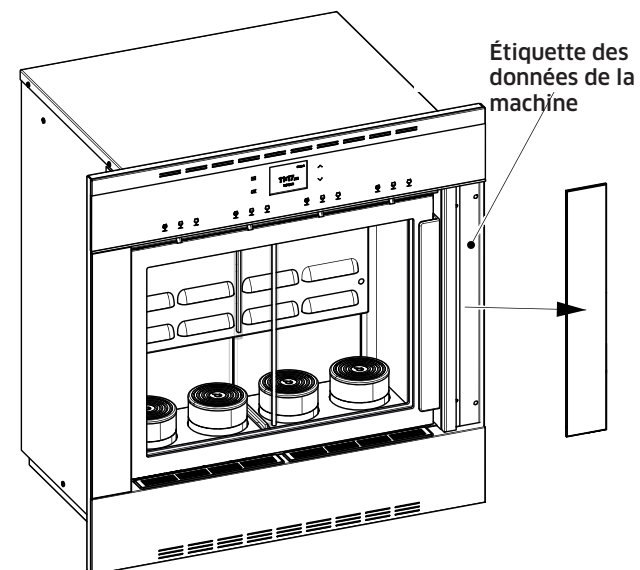
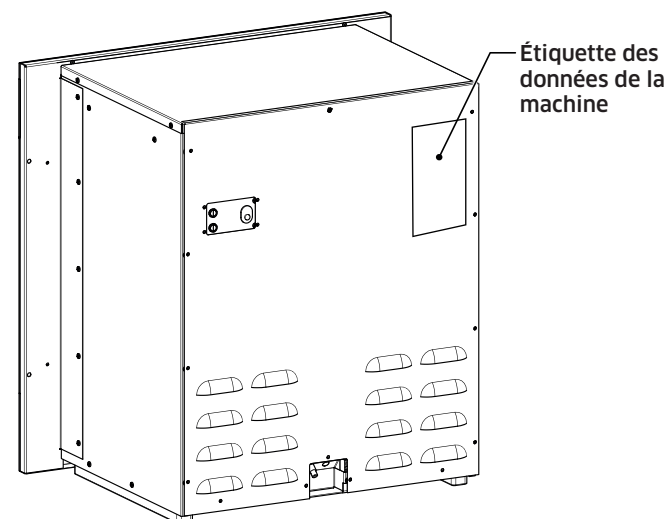
Dangers immédiats qui ENTRAÎNERONT des lésions graves voire mortelles.

AVERTISSEMENT

Dangers ou pratiques dangereuses qui POURRAIENT entraîner des lésions graves voire mortelles.

ATTENTION

Dangers ou pratiques dangereuses qui PEUVENT éventuellement entraîner des lésions légères ou des dommages matériels.



CONSERVER CES INSTRUCTIONS



Consignes de sécurité importantes

Informations importantes sur les consignes de sécurité

- Les instructions de sécurité importantes et les AVERTISSEMENTS contenus dans ces instructions ne sont pas censés couvrir tous les problèmes et conditions pouvant survenir. Faire preuve de bon sens et de prudence lors de l'installation, de l'entretien ou de l'utilisation de cet appareil ou de tout autre appareil.
- En cas de doute ou d'incompréhension, toujours contacter l'équipe du service clientèle de Dacor.

AVERTISSEMENT PRÉVU PAR LA PROPOSITION 65 DE LA CALIFORNIE

⚠ AVERTISSEMENT

Cancer et effets néfastes sur la fonction de reproduction - www.P65Warning.ca.gov.

⚠ DANGER IMPORTANT:

- Ne pas stocker ni utiliser de vapeurs et de liquides combustibles, inflammables ou explosifs (tels que l'essence) à l'intérieur ou à proximité de cet appareil ou de tout autre appareil.
- Utiliser uniquement le type de bouteille de gaz argon spécifié dans ce manuel avec cet appareil. L'utilisation de tout autre type de gaz ou de bouteille peut entraîner une explosion, un incendie et des blessures.

⚠ AVERTISSEMENT

- Le R-600a est utilisé comme réfrigérant. Ce produit contient un gaz inflammable (Réfrigérant R-600a), contacter les autorités locales en ce qui concerne l'élimination sûre de ce produit.

⚠ AVERTISSEMENT

Le non-respect des instructions de ce manuel peut entraîner des blessures, la mort ou peut endommager l'appareil. Dacor ne peut être tenu responsable des dommages matériels ou des lésions corporelles causés par le non-respect des consignes de sécurité et d'installation contenues dans ce manuel.

⚠ DANGER

RISQUE D'ÉLECTROCUTION :

- Ne jamais toucher le cordon d'alimentation avec des mains mouillées.
- Veiller à ce que la prise électrique à laquelle l'appareil est raccordé soit accessible à tout moment afin de pouvoir débrancher l'appareil si nécessaire.
- Ne JAMAIS débrancher l'appareil en tirant sur le cordon d'alimentation. Toujours saisir fermement la fiche et la retirer directement de la prise électrique.
- Si l'appareil est défectueux, ne pas chercher à le réparer soi-même. L'éteindre, le débrancher de la prise électrique et appeler un technicien qualifié.
- Ne pas utiliser ou installer l'appareil si la fiche ou le câble d'alimentation est endommagé ou effiloché. Le faire remplacer par un technicien qualifié.
- Avant de déplacer l'appareil pour l'éloigner du mur, veiller à ne pas passer sur le le cordon d'alimentation et à ne pas l'endommager.

Consignes de sécurité importantes

PRÉCAUTIONS GÉNÉRALES DE SÉCURITÉ

Pour réduire les risques d'incendie, d'électrocution, de blessures graves ou mortelles, lorsqu'on utilise l'appareil, respecter les précautions de sécurité de base, notamment les suivantes :

⚠ AVERTISSEMENT

- Si l'appareil est endommagé, contacter immédiatement le revendeur. Ne pas installer ou utiliser un appareil endommagé.
- Cet appareil doit être correctement installé conformément aux présentes instructions d'installation avant d'être utilisé.
- Lire entièrement le manuel d'utilisation et d'entretien ci-joint avant d'utiliser cet appareil.
- L'installateur doit montrer au client l'emplacement de la prise électrique et comment couper l'alimentation du distributeur de vin.
- Ne pas installer, réparer ou remplacer une pièce de l'appareil sans que cela soit spécifiquement recommandé dans la documentation qui l'accompagne. Tout autre service doit être effectué par un technicien qualifié.
- Avant d'effectuer tout type d'entretien ou de démontage de pièces, éteindre l'appareil et s'assurer que la fiche d'alimentation de l'appareil est débranchée de la prise électrique ou que l'alimentation est coupée au niveau du panneau de disjoncteurs ou de la boîte à fusibles.
- Utiliser uniquement les bouteilles de gaz conçues pour être utilisées avec ce produit. Elles sont spécifiées dans le manuel d'utilisation et d'entretien.
- Tenir tous les matériaux d'emballage hors de portée des enfants. Les feuilles et les sacs en plastique peuvent provoquer une suffocation.
- Pour éviter tout risque d'explosion, ne pas exposer les bouteilles de gaz argon à une flamme nue. Stocker et utiliser les bouteilles à des températures inférieures à 54°C (130°F). Ne pas jeter les bouteilles de gaz dans le feu ou dans un incinérateur.
- Entreposer et utiliser l'appareil et les bouteilles de gaz argon

uniquement dans des endroits suffisamment ventilés. Ne pas inhaler directement le gaz argon.

- Ne pas laisser les enfants seuls ou sans surveillance dans la zone autour de l'appareil. Ne pas laisser les enfants jouer avec les commandes, ouvrir et fermer les portes ou toucher d'autres parties de l'appareil. Tenir les bouteilles de gaz hors de portée des enfants.
- Ne pas introduire les mains ou les doigts dans la zone des pièces mobiles. Ne JAMAIS introduire les doigts ou les mains dans le groupe du compartiment à bouteilles. Cela pourrait entraîner des blessures corporelles. Faire appel à un technicien de service qualifié pour diagnostiquer tout problème dans le compartiment à bouteilles ou derrière les panneaux fermés.
- Ne permettre l'utilisation du distributeur de vin qu'à des personnes capables de le faire fonctionner correctement.
- Ne jamais laisser quiconque, y compris les enfants, s'asseoir, se tenir debout ou grimper sur une partie quelconque de l'appareil. Cela pourrait causer des dommages, des blessures graves voire mortelles. Ne pas laisser les enfants jouer avec les commandes ou toucher d'autres parties de l'appareil.
- Nettoyer cet appareil uniquement de la manière indiquée dans le manuel d'utilisation et d'entretien et utiliser uniquement les produits de nettoyage spécifiés.
- Ne pas utiliser de nettoyeur à vapeur ou à pression pour nettoyer le distributeur de vin ou toute partie de celui-ci. Les dommages causés par le nettoyage de l'appareil de cette manière pourraient entraîner un choc électrique, un incendie ou une explosion.
- Pour éviter tout risque d'électrocution ou d'autres blessures, ne pas introduire de parties du corps ou d'autres objets dans une ouverture, un évent, la grille de base ou le fond de l'appareil.
- Il convient de toujours faire attention lors de la manipulation de gaz sous pression. S'assurer que les tuyaux et les robinets d'arrêt appropriés sont toujours utilisés.
- Cet appareil ne convient pas à une installation dans une zone où un jet d'eau pourrait être utilisé.

CONSERVER CES INSTRUCTIONS

Consignes de sécurité importantes

Exigences électriques

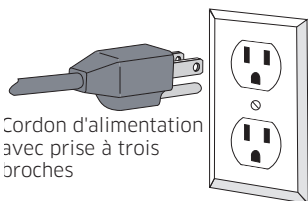
⚠ AVERTISSEMENT

Pour éviter tout risque d'électrocution, la prise et l'alimentation électriques doivent répondre aux spécifications indiquées ci-dessous.

Il est de la responsabilité du propriétaire de s'assurer que le service électrique répond aux exigences électriques et que la prise électrique a été correctement installée par un électricien agréé.

Ne jamais :

- Couper ou retirer la troisième broche (terre) du cordon d'alimentation.
- Utiliser un connecteur adaptateur.
- Modifier le cordon d'alimentation.
- Utiliser un cordon d'alimentation avec rallonge.



Cordon d'alimentation avec prise à trois broches

Prise électrique avec mise à la terre

- La prise électrique à trois trous pour cet appareil doit être située à moins de 6.5ft (198 cm) de l'appareil pour que le cordon d'alimentation puisse l'atteindre.
- L'installation de la prise électrique, y compris la taille minimale du fil d'alimentation et la mise à la terre, doit être effectuée conformément au National Electric Code ANSI/NFPA 70 et aux codes et ordonnances locaux. Il est possible d'obtenir une copie de cette norme auprès de :

National Fire Protection Association
1 Batterymarch Park
Quincy, MA 02269-9101

- La tension, la fréquence et l'ampérage corrects doivent être fournis à la prise électrique à partir d'un circuit monophasé dédié et mis à la terre, protégé par un disjoncteur ou un fusible à retardement d'une taille appropriée. Si un tel dispositif n'est pas installé, appeler un électricien agréé.
- La prise électrique du distributeur de vin doit être située de manière à permettre un accès facile lorsque l'unité est installée, afin de faciliter le débranchement.

Exigences pour l'emplacement

⚠ AVERTISSEMENT

- **Risque d'électrocution:** En raison du risque de déversement lors d'une utilisation normale, NE PAS installer cet appareil au-dessus ou au-dessous d'un autre appareil.
- Afin d'éviter tout risque de basculement, ne pas installer cet appareil dans un meuble autonome non fixé.
- N'installer cet appareil que sur une surface plane et horizontale en mesure de supporter le poids de l'appareil.
- L'utiliser uniquement en position verticale.
- Cet appareil est conçu pour être utilisé à l'intérieur. Il peut être utilisé à l'extérieur à condition d'être installé sous un abri dans un endroit sec et d'être utilisé à la température ambiante requise.
- Toutes les dimensions et tous les espaces maximums et minimums doivent être respectés ou dépassés pour un fonctionnement sûr et un ajustement correct dans le meuble.
- Lorsque l'on décide de l'emplacement de l'installation, il est nécessaire de rechercher un endroit exempt de tout risque potentiel pour la sécurité, susceptible d'interférer avec l'installation ou le fonctionnement de l'appareil ou de nuire à la circulation de l'air autour de l'appareil. L'emplacement doit être propre, sec et exempt de tout débris.
- Un espace ou une ouverture de meuble minimum 14 3/16" H x 9" L x 4" P (36 cm H x 23 cm L x 10 cm P) doit être prévu à proximité pour la bouteille de gaz, le régulateur et la conduite de gaz qui fournit le gaz Argon à l'appareil. Une zone plus profonde est recommandée pour

Consignes de sécurité importantes

permettre le stockage de bouteilles de gaz supplémentaires. Les bouteilles de gaz non raccordées mesurent 11" H x 3" W (28 cm H x 7,6 cm L).

- La conduite d'alimentation en gaz incluse permet d'éloigner la zone de stockage des bouteilles jusqu'à 2,5 mètres du distributeur de vin. Les trous dans les meubles adjacents entre le distributeur de vin et l'emplacement de la bouteille de gaz doivent avoir un diamètre de 2,9 cm (1 1/8 po) pour permettre le passage de la conduite de gaz et de la fiche électrique.
- Le distributeur de vin doit être installé à une distance sûre des sources de chaleur, comme les appareils ménagers, afin d'éviter une augmentation excessive de la température.

⚠ AVERTISSEMENT

- S'assurer de laisser un espace d'au moins 3" (7,6 cm) à l'arrière du distributeur pour loger le câblage et les tuyaux.

⚠ AVERTISSEMENT

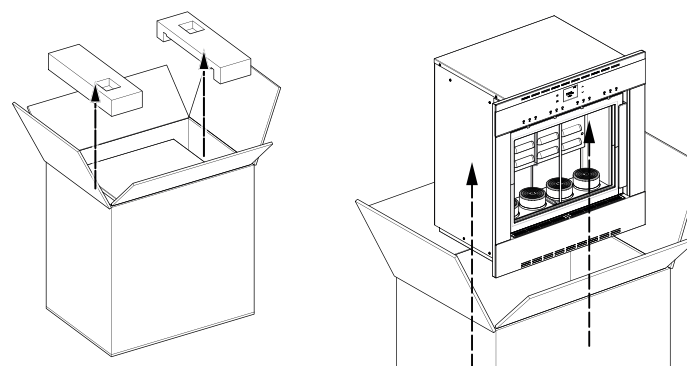
- Si la prise de courant n'est pas conforme aux spécifications de la page 8, ne pas procéder à l'installation. Faire appel à un électricien agréé pour installer le service électrique approprié avant de poursuivre.
- Risque de poids excessif - Faire appel à deux personnes ou plus pour déplacer et installer le distributeur de vin. Le non-respect de cette consigne peut entraîner des blessures au dos ou autres.
- Protéger votre comptoir et la zone d'installation ! Lorsque l'on déplace le distributeur de vin lors de l'installation, du nettoyage ou de l'entretien, toujours soulever et tirer l'appareil droit vers l'extérieur. Ne pas secouer ou faire traîner l'appareil au sol, car cela pourrait endommager le comptoir ou le produit.
- Pour éviter toute blessure, utiliser uniquement le régulateur de pression de gaz fourni ou un produit de remplacement spécifié par Dacor.

⚠ AVERTISSEMENT

- Veiller à ce que les ouvertures de ventilation de l'appareil, ou de la structure intégrée, ne soient pas obstruées.

Déballage de l'appareil

1. Déplacer le colis vers le lieu d'installation.
2. Ouvrir le colis en suivant le ruban adhésif de fermeture.
3. Retirer les accessoires sur le dessus des renforts en mousse ;
4. Retirer les supports en mousse du haut.
5. Placer l'unité devant l'emplacement d'installation final.



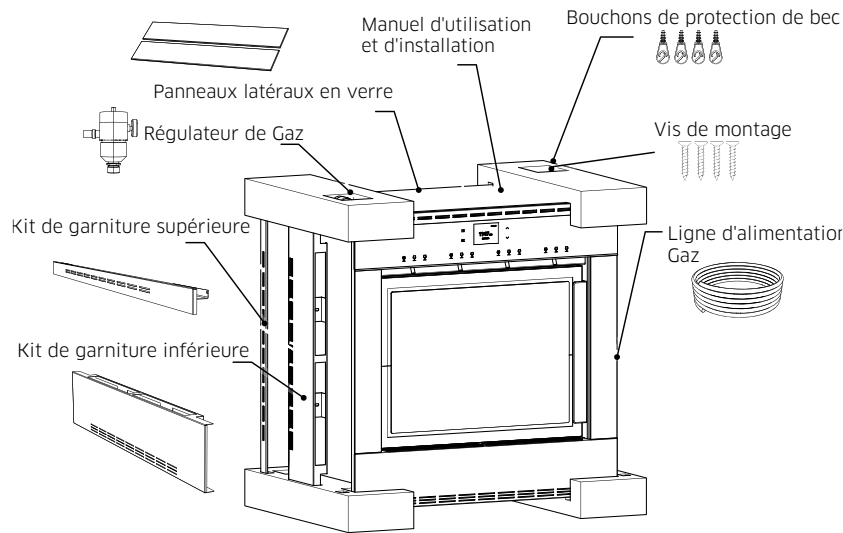


Vérifier le contenu du colis

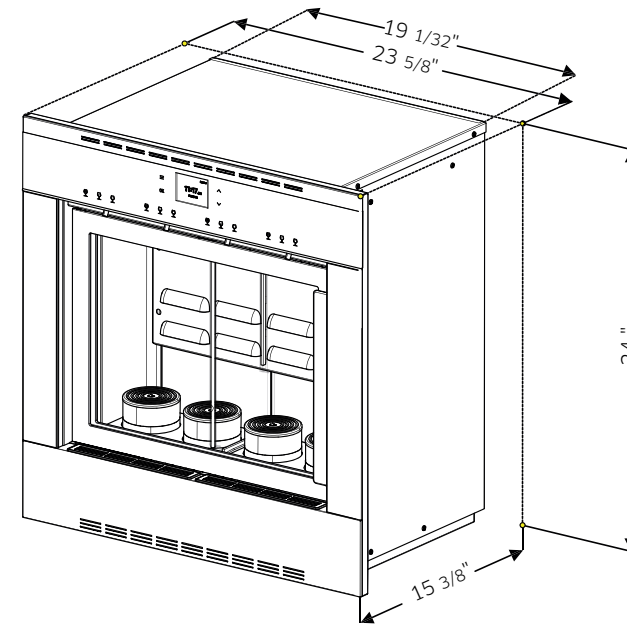
Vérifier que toutes les pièces énumérées ci-dessous sont incluses dans la boîte d'expédition. Consulter le manuel d'utilisation pour obtenir des informations sur les pièces et accessoires supplémentaires.

IMPORTANT : La bouteille de gaz argon requise et les tubes de prélèvement ne sont pas livrés avec le système et doivent être commandés séparément.

- Régulateur de gaz (1)
- Ligne d'alimentation en gaz (1)
- Capuchons de protection du bec verseur (4)
- Kit de garniture en acier inoxydable graphite (1)
- Manuel d'utilisation et d'entretien (1)
- Manuel d'installation (1)
- Vis à bois 4 x 3,5 mm x 30 mm (4)
- Panneaux Latéraux en Verre (2)



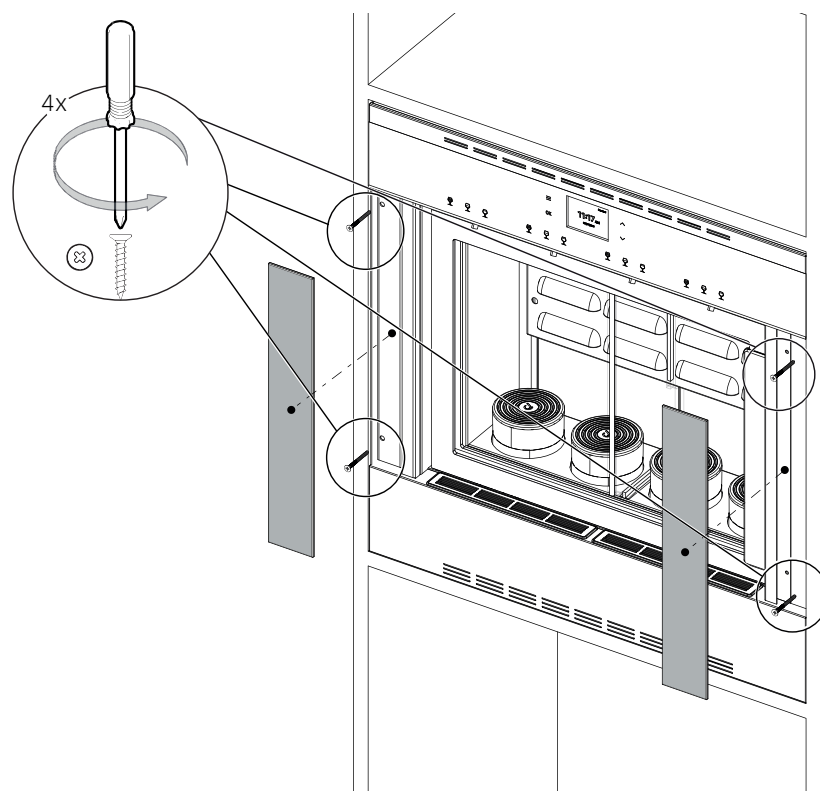
Spécifications de l'installation



Caractéristiques du distributeur de vin


Nombre de bouteilles admissibles	4
Exigences d'entrée d'alimentation électrique	120V 60Hz, 4 Amp. Circuit 3 fils raccordé à la terre
Longueur du cordon électrique	6.5ft (198 cm)
Poids de l'appareil	85lbs (vide)
Température (ambiante) de fonctionnement	Min 59°F (15°C) - Max 82°F (28°C)
Hauteur	24" (env. 61 cm)
Largeur	23 5/8" (60 cm)
Profondeur	15 3/8" (39 cm)

Installation à fleur

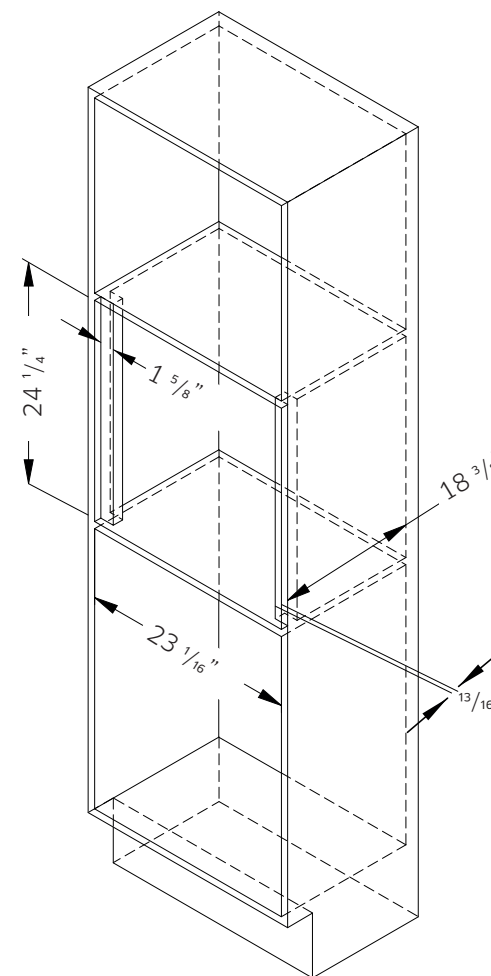


- A. Enfiler les 4 vis de 3.5mm x 30mm dans les trous déjà perforés
- B. Remettre en place les couvercles en verre

Outils nécessaires

Outils	
	Tournevis Philips 3

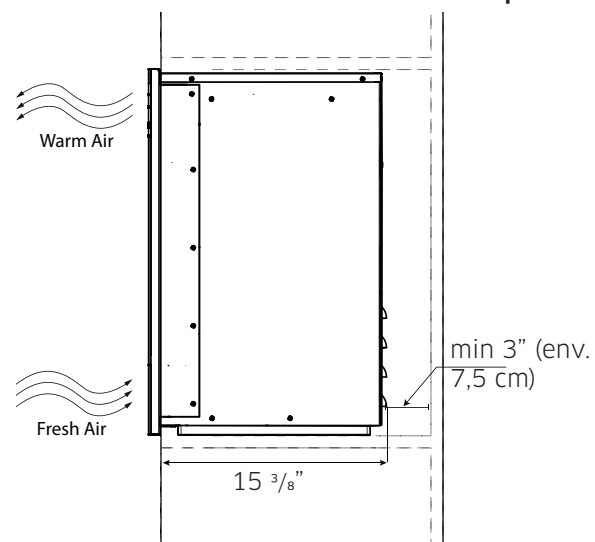
Toutes les tolérances pour le meuble +1/16" (+1.6 mm/-0 mm) sauf indication contraire.



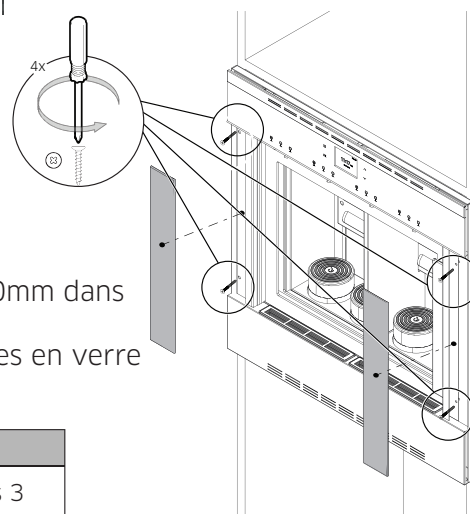
Installation standard

IMPORTANT : Laisser au moins 3" (end. 7,5 cm) pour le câblage et les tuyaux

Permettre une circulation de l'air adéquate



Instructions pour l'installation

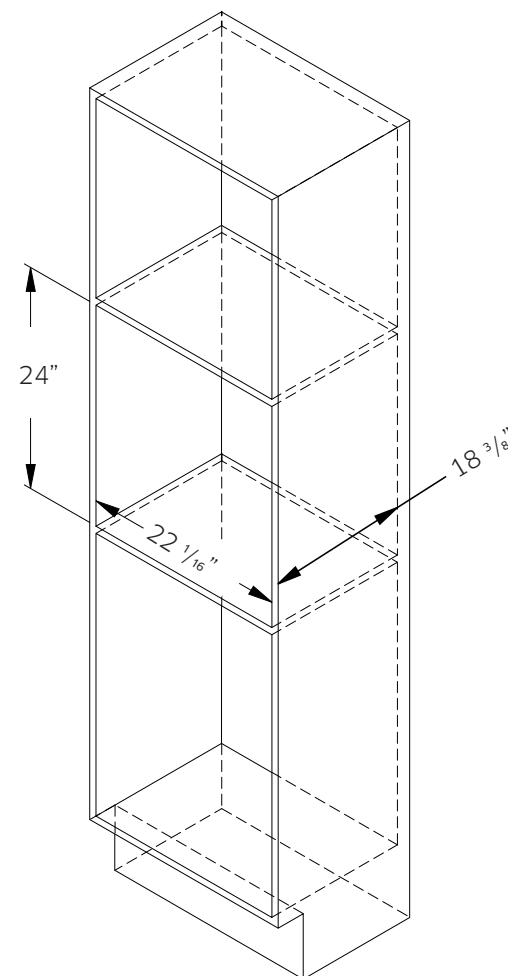


- A. Enfiler les 4 vis de 3.5mm x 30mm dans les trous déjà perforés
- B. Remettre en place les couvercles en verre

Outils nécessaires

Outils	
	Tournevis Phillips 3

Toutes les tolérances pour le meuble +1/16" (+1,6 mm/-0 mm) sauf indication contraire.



Instructions d'installation

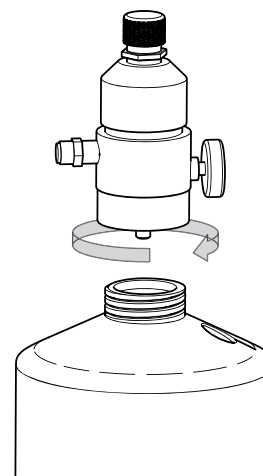
⚠ AVERTISSEMENT

Pour éviter toute blessure, utiliser uniquement le régulateur de pression de gaz fourni ou un produit de remplacement spécifié par Dacor.

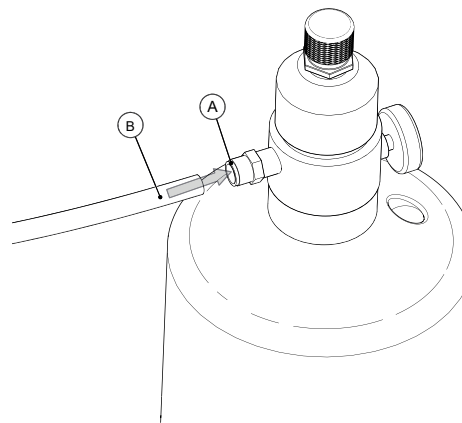
1. Avant l'installation, s'assurer que tous les trous d'accès pour le cordon d'alimentation et le tuyau de gaz ont été percés dans les meubles adjacents, si nécessaire, pour leur permettre de passer jusqu'à la prise électrique et l'emplacement de la bouteille de gaz.
2. Raccorder une extrémité du tube de gaz en plastique (fourni) au raccord de compression, puis serrer à l'arrière du système de distribution du vin.

IMPORTANT : Ne pas couper ou raccourcir la ligne d'alimentation en gaz.

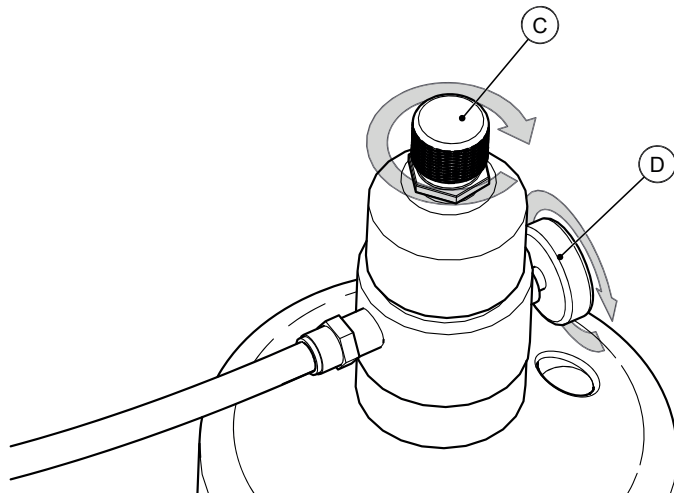
3. Si nécessaire, faites passer le tuyau de gaz en plastique par les trous d'accès percés dans les meubles adjacents.
4. Si nécessaire, faites passer le cordon d'alimentation par les trous d'accès percés dans les meubles adjacents.
5. Soulever lentement et avec précaution l'appareil et le replacer à son emplacement définitif. Pendant cette opération, demander à quelqu'un de tirer doucement le tuyau de gaz et le câble d'alimentation à travers les trous d'accès des meubles adjacents (si nécessaire). Veiller à ce que le cordon d'alimentation et le tuyau de gaz ne soient pas pliés ou endommagés.
6. Repérer l'ensemble du régulateur de gaz livré avec l'appareil.
7. S'assurer que le bouton de réglage du régulateur est tourné à fond vers la position OFF.
8. Retirer le bouchon en plastique du haut de la bouteille de gaz argon.



9. Insérer le haut de la bouteille de gaz dans le bas du régulateur de gaz puis tourner dans le sens des aiguilles d'une montre jusqu'à ce qu'il soit bien vissé. Ne pas trop serrer.



10. Raccorder l'extrémité du tuyau de gaz partant du distributeur de vin (B) au groupe de régulation du gaz (A).



11. Vérifier que la conduite de gaz n'est pas obstruée, puis tourner le bouton du régulateur dans le sens ON jusqu'à ce qu'il s'arrête.
12. Brancher le cordon d'alimentation dans la prise électrique.
13. Tapez sur Menu ≡ sur le panneau de commande pour débloquer la porte

IMPORTANT : La porte est verrouillée par une serrure électrique. Ne pas essayer de l'ouvrir lorsque l'alimentation électrique est coupée.

Check-list de l'installation


⚠ AVERTISSEMENT

Afin de garantir une installation sûre et correcte, l'installateur doit suivre et effectuer la check-list ci-dessous pour s'assurer qu'aucune partie de l'installation n'a été oubliée. L'installation correcte est la responsabilité du propriétaire de la maison.

- A-t-on prévu suffisamment d'espace autour de l'appareil pour permettre une bonne ventilation ?
- La plate-forme de support est-elle suffisamment solide pour supporter le poids de l'appareil ?
- L'alimentation électrique est-elle conforme aux spécifications ?
- Le tuyau d'alimentation en gaz en plastique est-il fixé à l'arrière de l'appareil ?
- Le distributeur de vin est-il branché à une prise électrique trois trous avec mise à la terre ?
- Le tuyau d'alimentation en gaz est-il raccordé au régulateur de gaz ?
- Le régulateur de gaz est-il raccordé à la bouteille de gaz argon ?
- Le bouton du régulateur de gaz est-il en position de marche (ON) ?

Inversion de la porte

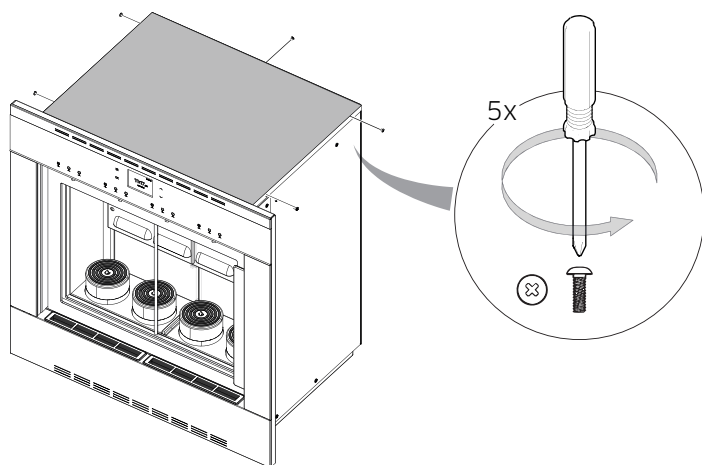
Outils nécessaires :

- Tournevis Philips 3 
- Tournevis hexagonal (métrique) - 2,5 mm
- Tournevis hexagonal (métrique) - 3 mm

⚠ AVERTISSEMENT

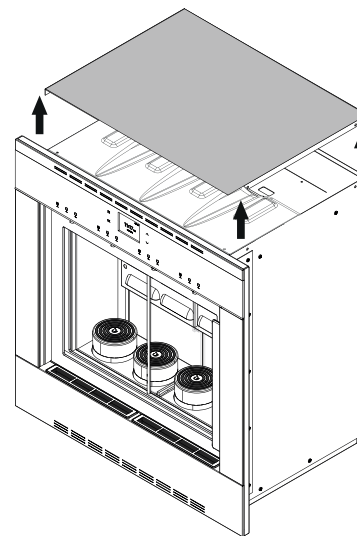
Débrancher l'appareil de la prise électrique avant de commencer ces étapes.

Étapes :

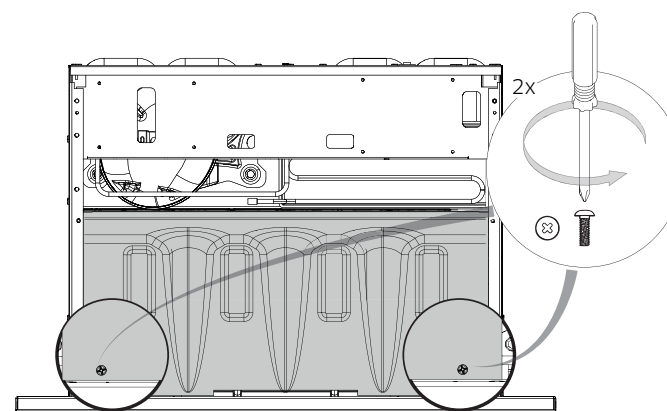


1. Retirer les vis du couvercle du haut.

2. Soulever le couvercle et le mettre de côté.

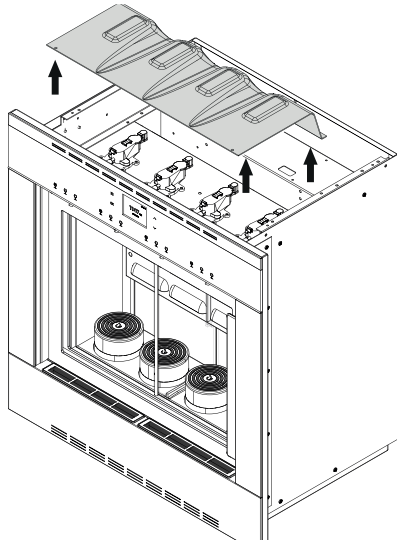


3. Retirer les vis de la protection.

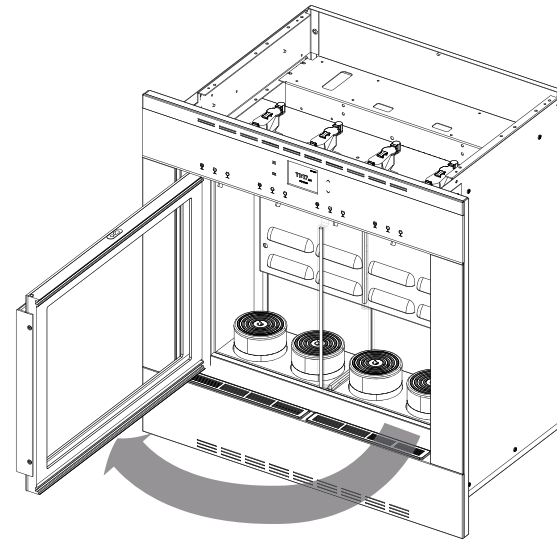




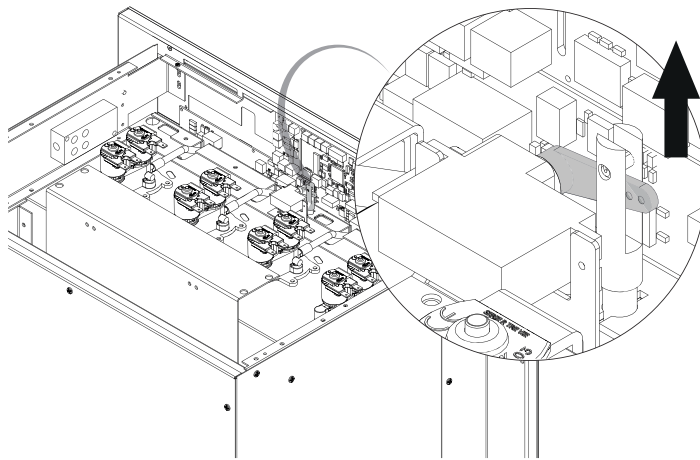
4. Soulever la protection et la mettre de côté.



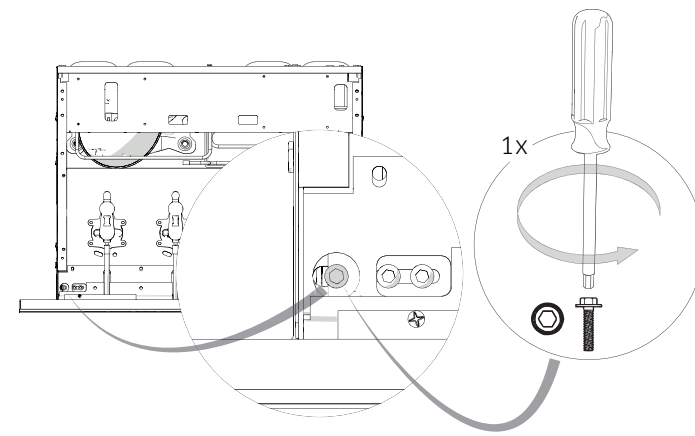
6. Ouvrir la porte.



5. Soulever le levier de la servocommande pour pouvoir ouvrir la porte.

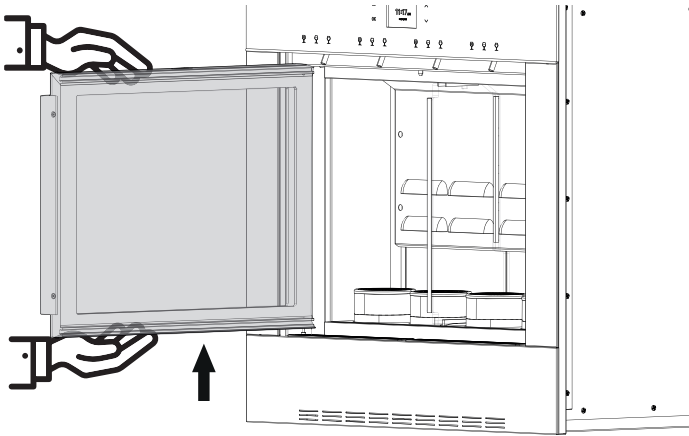


7. Retirer la vis supérieure de la porte (tournevis hexagonal M3.5) tout en tenant la porte.

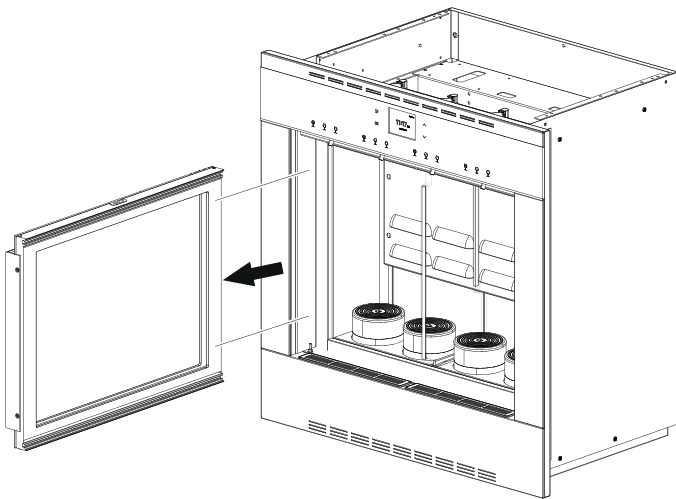




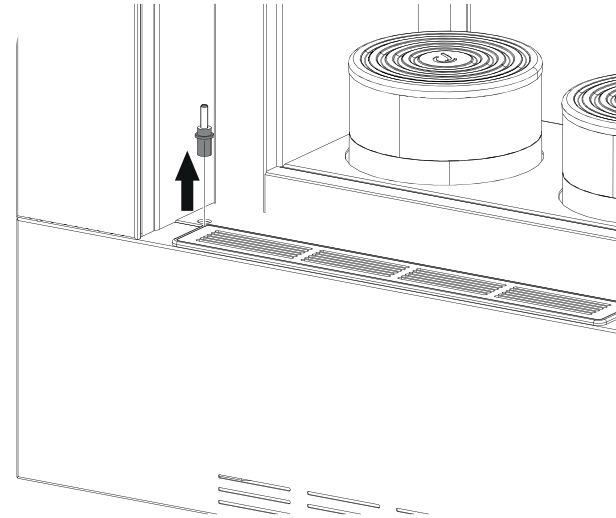
8. Soulever la porte en gardant une main en haut et l'autre en bas.



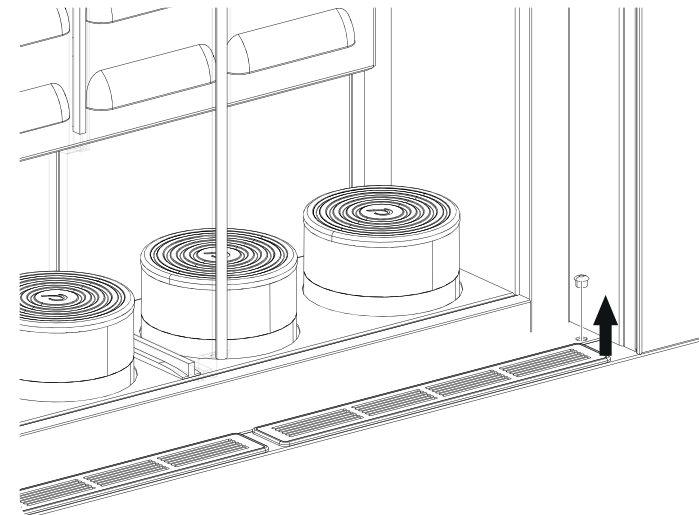
9. Tirer la porte en gardant une main en haut et l'autre en bas.



10. Retirer la goupille et le support de goupille.

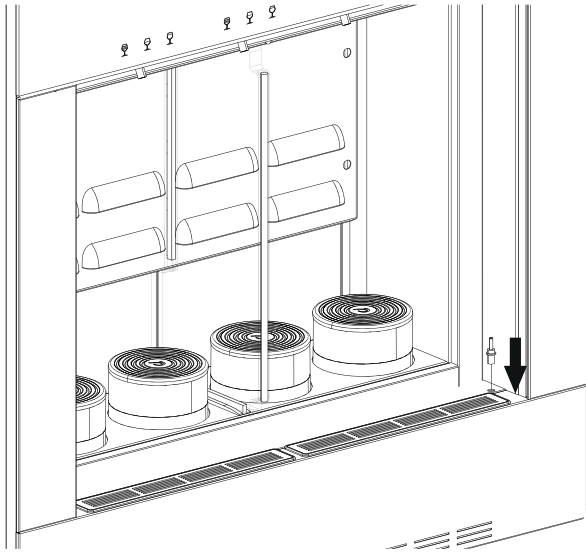


11. Retirer le cache du trou de droite.

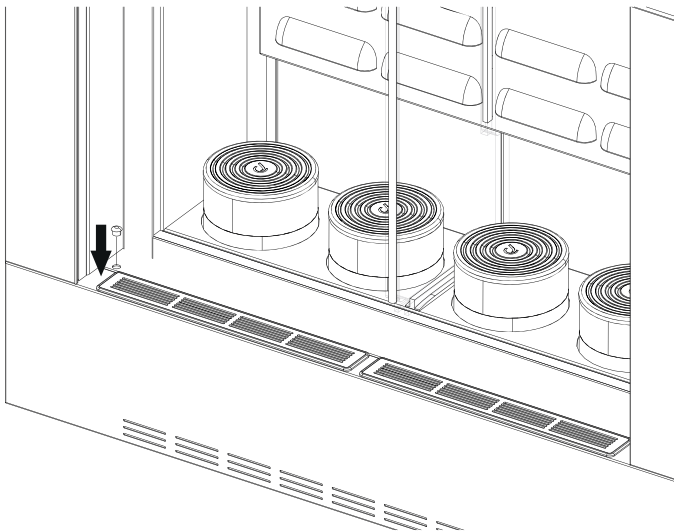




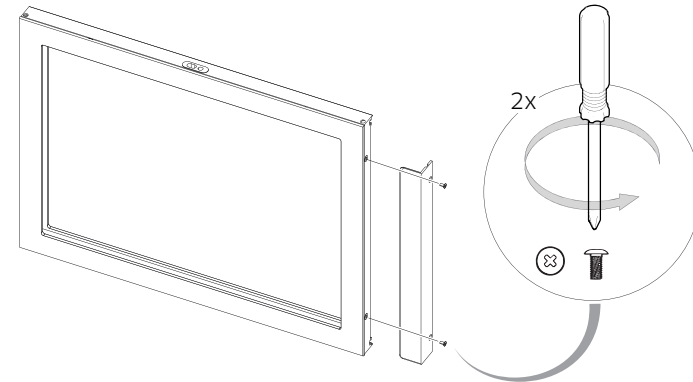
12. Insérer le porte-goupille et la goupille dans le trou du côté droit.



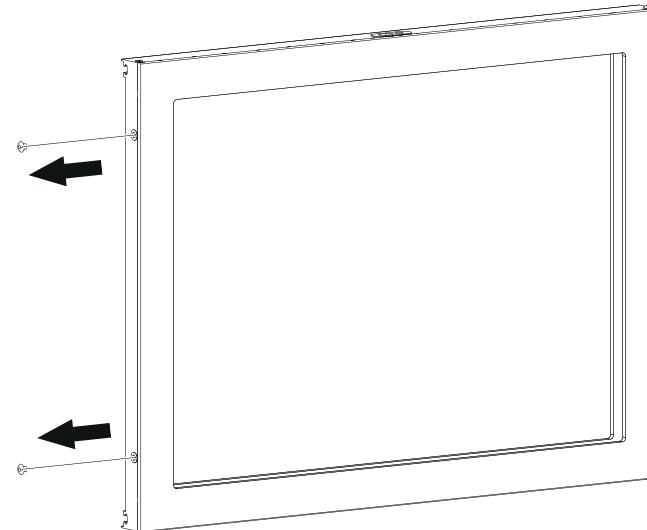
13. Insérer le cache du trou sur le trou latéral gauche.



14. Retirer les vis de la poignée. (Tournevis Philips 3)

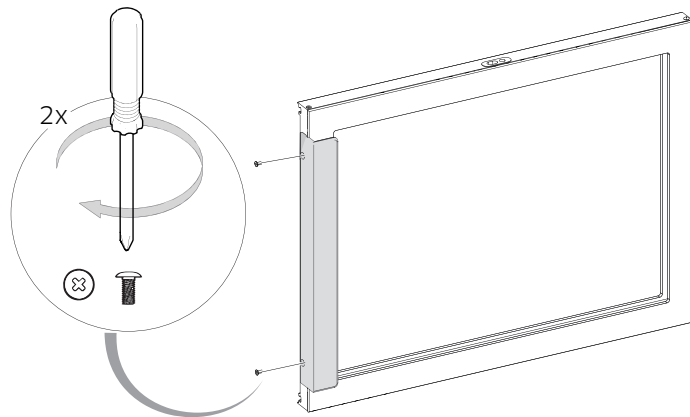


15. Retirer les cache-trous du côté gauche de la porte.

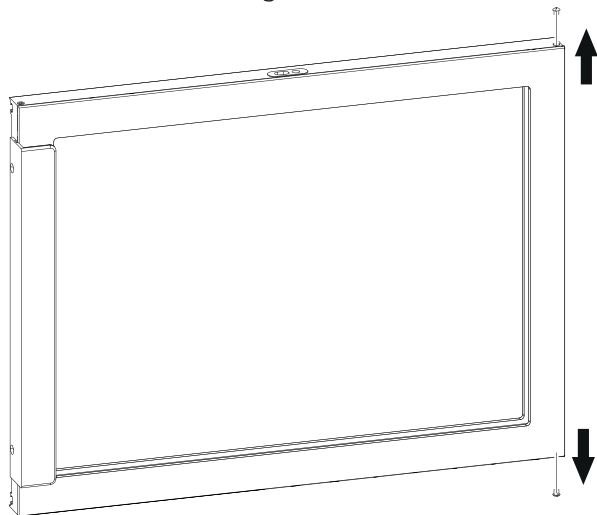




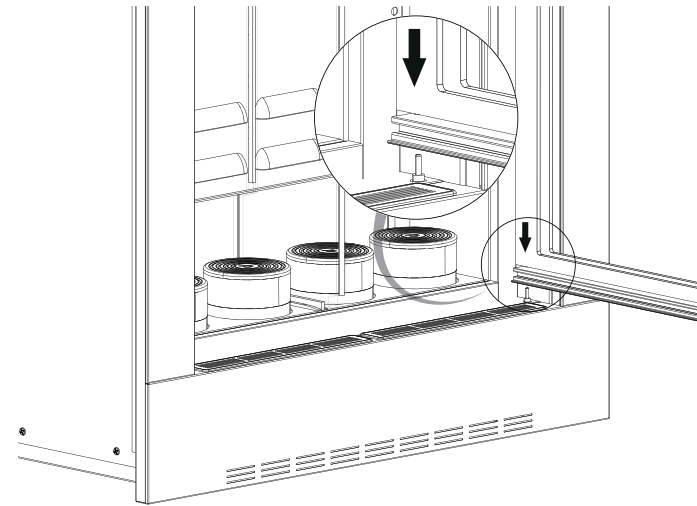
16. Placer la poignée sur le côté gauche de la porte et la visser en place (tournevis Philips 3).



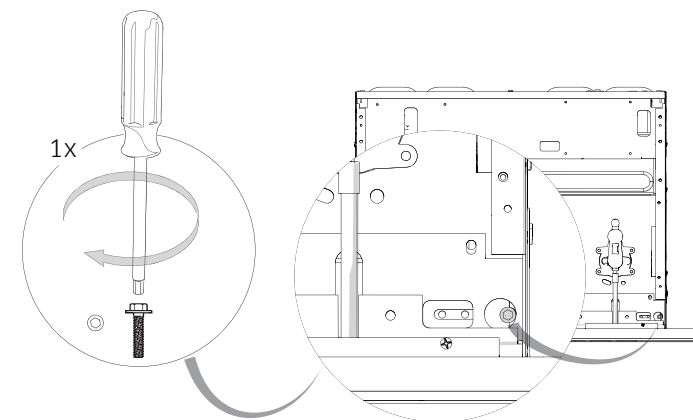
17. Retirer les caches des trous du haut et du bas à droite et les mettre en haut et en bas à gauche.



18. Placer la porte sur la goupille inférieure et la maintenir en place d'une main.

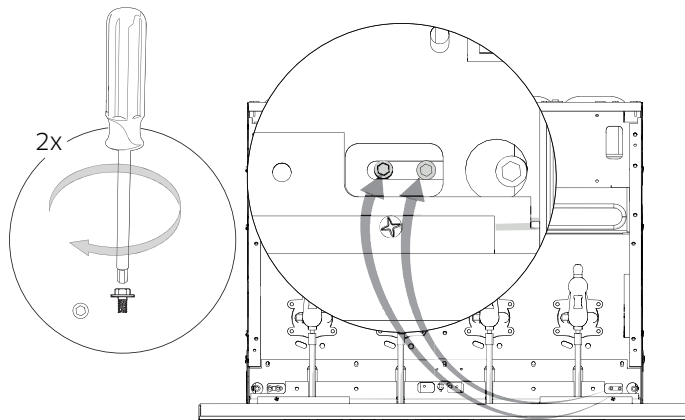


19. Mettre la vis supérieure (tournevis hexagonal M3.5) tout en tenant la porte d'une main.

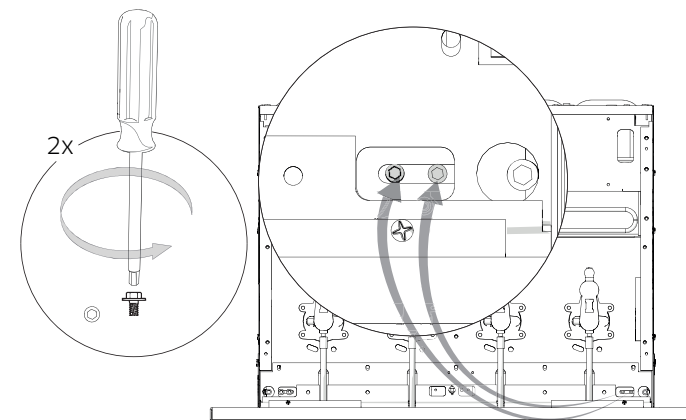




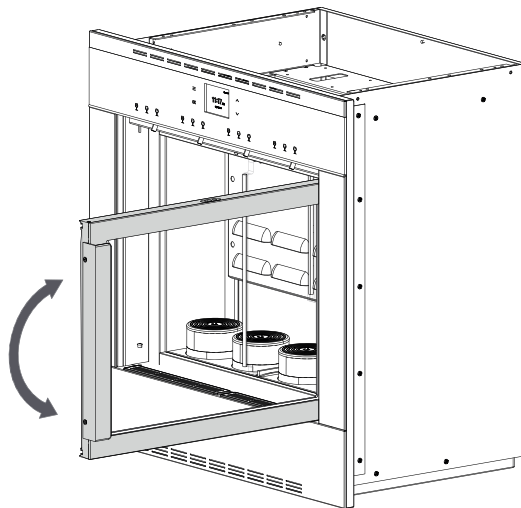
20. Desserrer légèrement les deux vis (tournevis hexagonal M2.5) afin de régler le basculement de la porte.



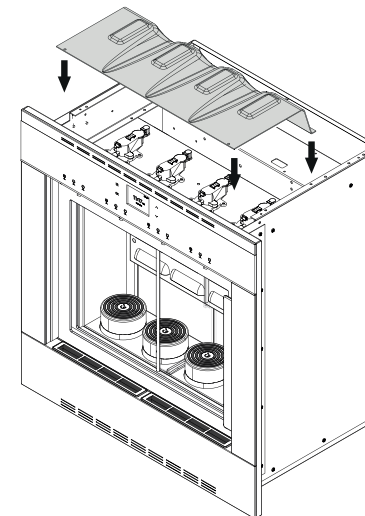
22. Serrer les deux vis (tournevis hexagonal M2.5) et fermer la porte.



21. Régler la porte à l'inclinaison souhaitée et la maintenir immobile d'une main.

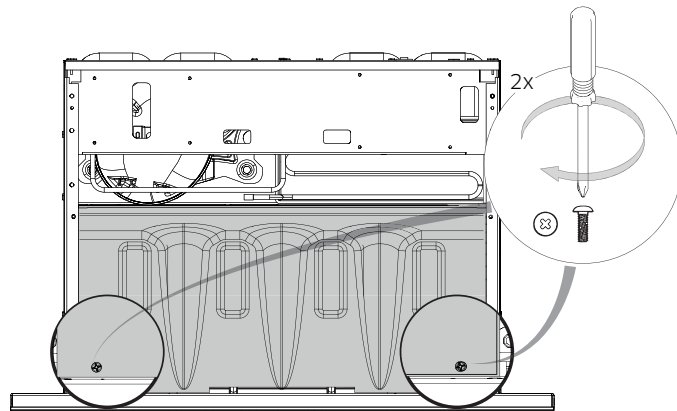


23. Remettre le cache en place.

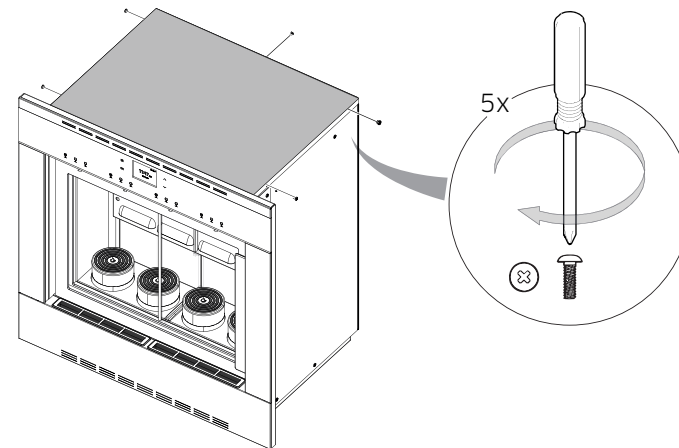




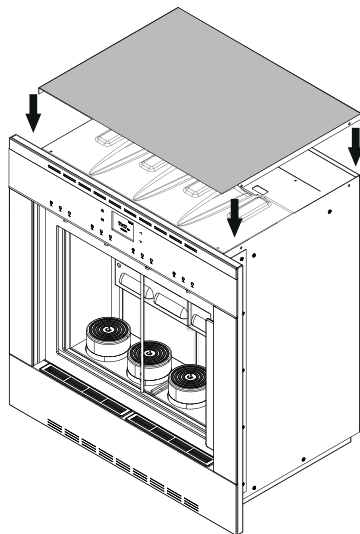
24. Remettre en place les 2 vis.



26. Remettre en place les 4 vis.



25. Remettre le couvercle en place.



27. Rebrancher l'appareil.



Antes de comenzar

Notas Importantes

Instalador

- Para promover la seguridad y minimizar los problemas, lea este manual antes de comenzar la instalación. Deje este manual con el usuario.
- Anote los números de modelo/serie del aparato en este manual para referencia de servicio/mantenimiento.
- Los números de modelo/serie están en la etiqueta de datos como se muestra en los diagramas.

Usuario

- Conserve este manual para su consulta personal y para el uso de los inspectores de construcción locales.

Etiquetas y Símbolos de Seguridad

PELIGRO

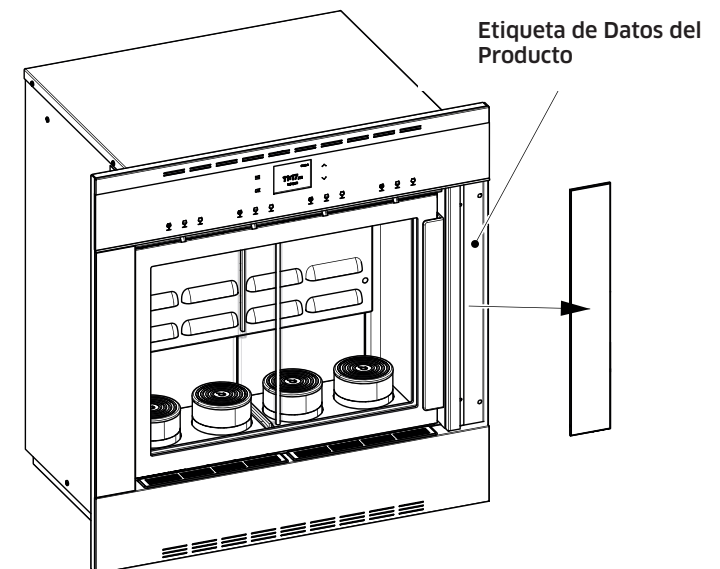
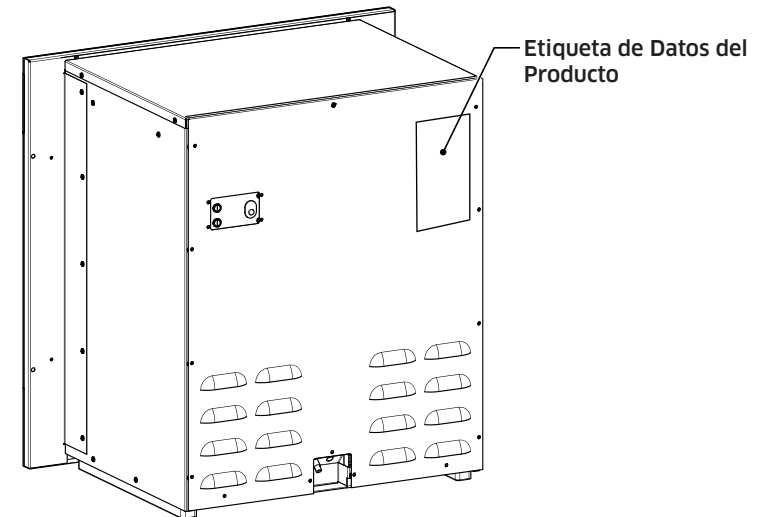
Peligros inmediatos que provocarán lesiones personales graves o la muerte.

ADVERTENCIA

Peligros o prácticas inseguras que PODRÍAN provocar lesiones personales graves o la muerte.

CUIDADO

Peligros o prácticas inseguras que PODRÍAN resultar en lesiones personales o daños a la propiedad.



CONSERVE ESTAS INSTRUCCIONES

Instrucciones de Seguridad Importantes

Información importante sobre las instrucciones de seguridad

- Las instrucciones de seguridad y las advertencias importantes de estas instrucciones no pretenden cubrir todos los posibles problemas y condiciones que pueden ocurrir. Utilice el sentido común y la precaución al instalar, mantener o utilizar este o cualquier otro aparato.
- Póngase siempre en contacto con el equipo de atención al cliente de Dacor en caso de problemas y condiciones que no entienda.

ADVERTENCIA DE LA PROPOSICIÓN 65 CALIFORNIA

⚠ ADVERTENCIA

Cáncer y daños para la reproducción - www.P65Warning.ca.gov.

⚠ PELIGRO IMPORTANTE:

- No almacene ni utilice vapores y líquidos combustibles, inflamables o explosivos (como la gasolina) dentro o en las proximidades de este o cualquier otro aparato.
- Utilice únicamente el tipo de bombona de gas argón especificado en este manual con este aparato. El uso de cualquier otro tipo de gas o cilindro puede provocar una explosión, un incendio y lesiones personales.

⚠ ADVERTENCIA

R-600a se utiliza como refrigerante. Este producto contiene gas inflamable (refrigerante R-600a), póngase en contacto con las autoridades locales en relación con la eliminación segura de este producto.

⚠ ADVERTENCIA

Si no se siguen correctamente las instrucciones de este manual, pueden producirse lesiones personales, la muerte o daños en el aparato. Dacor no se hace responsable de los daños materiales o personales causados por el incumplimiento de las instrucciones de seguridad e instalación contenidas en este manual.

⚠ PELIGRO

PELIGRO DE DESCARGA ELÉCTRICA:

- Nunca toque el cable de alimentación con las manos mojadas.
- Asegúrese de que la toma de corriente a la que está conectada la unidad es libremente

accesible en todo momento para poder desenchufar el aparato cuando sea necesario.

- NUNCA desenchufe el aparato tirando del cable de alimentación. Agarre siempre el enchufe con firmeza y tire de él para sacarlo de la toma de corriente.
- Si el aparato está defectuoso, no intente repararlo por su cuenta. Apáguelo, desenchúfelo de la toma de corriente y llame a un técnico cualificado.
- No utilice ni instale el aparato si el enchufe o el cable de alimentación están dañados o deshilachados. Mándelo sustituir por un técnico cualificado.
- Cuando aleje el aparato de la pared, tenga cuidado de no rodar o dañar el cable de alimentación.

CONSERVE ESTAS INSTRUCCIONES

Instrucciones de Seguridad Importantes

PRECAUCIONES GENERALES DE SEGURIDAD

Para reducir el riesgo de incendio, descarga eléctrica, lesiones graves o muerte al utilizar su aparato, siga las precauciones básicas de seguridad, incluyendo las siguientes:

⚠ ADVERTENCIA

- Si el aparato está dañado, póngase inmediatamente en contacto con el distribuidor. No instale ni utilice un aparato dañado.
- Este aparato debe instalarse correctamente de acuerdo con estas instrucciones de instalación antes de su uso.
- Lea completamente el manual de uso y cuidado adjunto antes de poner en funcionamiento este aparato.
- El instalador debe mostrar al cliente la ubicación de la toma de corriente y cómo desconectar la energía del dispensador de vino.
- No instale, repare o sustituya ninguna pieza del aparato a menos que se recomiende específicamente en la documentación que lo acompaña. Un técnico de servicio calificado debe realizar cualquier otro tipo de servicio.
- Antes de realizar cualquier tipo de servicio o desmontaje de piezas, apague la unidad y asegúrese de que el enchufe del aparato esté desconectado de la toma de corriente o que la alimentación esté desconectada en el panel de disyuntores o en la caja de fusibles.
- Utilice únicamente las bombonas de gas diseñadas para su uso con este producto. Se especifican en el manual de uso y cuidado.
- Mantenga todos los materiales de embalaje fuera del alcance de los niños. Las láminas y bolsas de plástico pueden provocar asfixia.
- Para evitar que estallen, no exponga las bombonas de gas argón a una llama abierta. Almacene y utilice los cilindros a temperaturas inferiores a 130°F (54°C). No elimine las bombonas de gas en el fuego o en una incineradora.
- Almacene y utilice el aparato y las bombonas de gas argón únicamente en zonas con una ventilación adecuada. No inhale directamente el gas argón.

- No deje a los niños solos o sin vigilancia en las inmediaciones del aparato. No permita que los niños jueguen con los controles, abran y cierren las puertas o toquen otras partes del aparato. Mantenga las bombonas de gas fuera del alcance de los niños.
- No coloque las manos o los dedos en la zona de las piezas móviles. NUNCA coloque los dedos o las manos en el conjunto del compartimiento de la botella. Pueden producirse lesiones personales. Llame a un técnico de servicio calificado para diagnosticar cualquier problema en el compartimiento de la botella o detrás de los paneles cerrados.
- Sólo permita el uso del dispensador de vino a personas que puedan manejarlo correctamente.
- Nunca permita que nadie, incluidos los niños, se siente, se pare o se suba a ninguna parte del aparato. Hacerlo puede causar daños, lesiones graves o la muerte. No permita que los niños jueguen con los controles o toquen otras partes del aparato.
- Limpie este aparato sólo de la manera indicada en el manual de uso y cuidado y utilice únicamente los productos de limpieza especificados.
- No utilice un limpiador a vapor o a presión para limpiar el dispensador de vino o cualquier parte del mismo. Los daños causados por la limpieza de la unidad de esta manera podrían provocar una descarga eléctrica, un incendio o una explosión.
- Para evitar el riesgo de descarga eléctrica u otras lesiones personales, no introduzca partes del cuerpo ni ningún otro objeto en ninguna abertura, rejilla de ventilación, la rejilla de la base o la parte inferior del aparato.
- Siempre se debe tener cuidado al manipular el gas presurizado. Asegúrese de utilizar siempre los tubos y válvulas de cierre adecuados.
- Este aparato no es apto para ser instalado en una zona donde se pueda utilizar un chorro de agua.

CONSERVE ESTAS INSTRUCCIONES

Instrucciones de Seguridad Importantes

Requisitos eléctricos

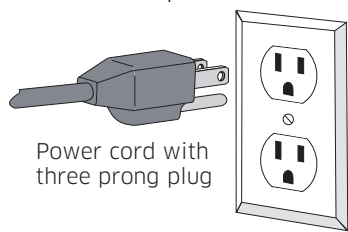
⚠ ADVERTENCIA

Para evitar el riesgo de descarga eléctrica, la toma de corriente y el suministro deben cumplir con las especificaciones indicadas a continuación.

Es responsabilidad del propietario asegurarse de que el servicio eléctrico cumple con los requisitos eléctricos y que la toma de corriente ha sido instalada correctamente por un electricista autorizado.

En ningún caso:

- Corte o retire la tercera clavija (de tierra) del cable de alimentación.
- Utilice un enchufe adaptador.
- Modifique el cable de alimentación.
- Conecte el aparato a un cable de extensión.



Power cord with three prong plug

Grounded type electrical outlet

- La toma de corriente de tres clavijas para este aparato debe estar situada a menos de 198 cm de la unidad para asegurarse de que el cable de alimentación pueda llegar.
- La instalación de la toma de corriente, incluyendo el tamaño mínimo del cable de alimentación y la conexión a tierra, debe realizarse de acuerdo con el Código Eléctrico Nacional ANSI/NFPA 70 y los códigos y ordenanzas locales. Se puede obtener una copia de esta norma en:

Asociación Nacional de Protección contra Incendios
1 Batterymarch Park
Quincy, MA 02269-9101

- El voltaje, la frecuencia y el amperaje correctos deben suministrarse a la toma de corriente desde un circuito monofásico con conexión a tierra que esté protegido por un disyuntor o un fusible de retardo de tamaño adecuado. Si no hay uno instalado, llame a un electricista autorizado.
- La toma de corriente para el dispensador de vino debe estar ubicada de manera que permita un fácil acceso cuando la unidad esté instalada para una fácil desconexión.

Requisitos de ubicación

⚠ ADVERTENCIA

- **Peligro de descarga eléctrica:** Debido a la posibilidad de derrames durante el uso normal, NO instale este aparato por encima o por debajo de cualquier otro aparato.
- Para evitar que el aparato se vuelque, no lo instale en un mueble independiente sin sujeción.
- Instale este aparato sólo en una superficie plana y nivelada capaz de soportar el peso del aparato.
- Utilícelo sólo en posición vertical.
- Este aparato está diseñado para su uso en interiores. Puede utilizarse al aire libre siempre que se instale bajo techo en un lugar seco y funcione dentro de la temperatura ambiente (ambiente) requerida.
- Todas las dimensiones y distancias máximas y mínimas deben cumplirse o superarse para un funcionamiento seguro y para un ajuste adecuado en el armario.
- Al determinar la ubicación de la instalación, busque un lugar que esté libre de posibles riesgos de seguridad que puedan interferir con la instalación o el funcionamiento de la unidad o interferir con la circulación de aire alrededor de la unidad. El lugar debe estar limpio, seco y libre de residuos.
- Se debe proporcionar un área o abertura de armario mínima de 14 3/16" H x 9" W x 4" D (36 cm de altura x 23 cm de ancho x 10 cm de profundidad) debe estar cerca la bombona de gas, el regulador y la línea



Instrucciones de Seguridad Importantes

de gas que suministra el gas Argón a la unidad. Se recomienda un área más profunda para permitir el almacenamiento de cilindros de gas adicionales. Los cilindros de gas desconectados miden 11" H x 3" W (28 cm de altura x 7,6 cm de ancho)

- La línea de suministro de gas incluida permite que el área de almacenamiento de los cilindros esté hasta 6 pies de distancia del dispensador de vino. Los agujeros en los armarios contiguos entre el dispensador de vino y la ubicación de la bombona de gas deben tener un diámetro de 2,9 cm para permitir el paso de la línea de gas y el enchufe eléctrico.
- El dispensador de vino debe instalarse a una distancia segura de las fuentes de calor, como los electrodomésticos, para evitar un aumento excesivo de la temperatura.

⚠ ADVERTENCIA

- Asegúrese de tener al menos 3" de espacio en la parte trasera del dispensador para acomodar el cableado y los tubos.

⚠ ADVERTENCIA

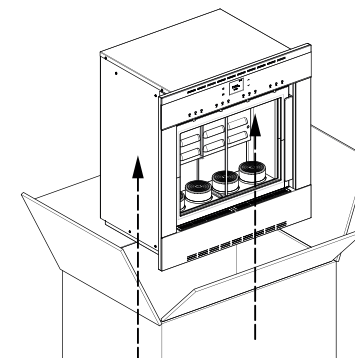
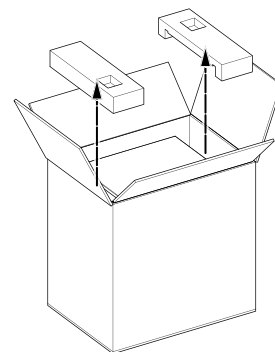
- Si la toma de corriente no cumple con las especificaciones de la página 8, no proceda con la instalación. Llame a un electricista con licencia para instalar el servicio eléctrico adecuado antes de proceder.
- Peligro de peso excesivo - Utilice dos o más personas para mover e instalar el dispensador de vino. Si no lo hace, puede sufrir lesiones en la espalda o de otro tipo.
- Proteja la encimera y la zona de instalación. Cuando mueva el dispensador de vino durante la instalación, la limpieza o el mantenimiento, levante y tire siempre de la unidad en línea recta. No mueva ni camine sobre la unidad, porque puede dañar la encimera o el producto.
- Para evitar lesiones personales, utilice únicamente el regulador de presión de gas incluido o un repuesto especificado por Dacor.

⚠ ADVERTENCIA

- Mantenga las aberturas de ventilación del aparato, o en la estructura incorporada, libres de obstrucciones.

Desembalaje del aparato

1. Mueva la caja hasta el lugar de instalación.
2. Abra la caja a lo largo del cierre con cinta adhesiva
3. Retire los accesorios de la parte superior de los tirantes de espuma;
4. Retire los tirantes de espuma superiores.
5. Coloque la unidad frente al lugar de instalación final.

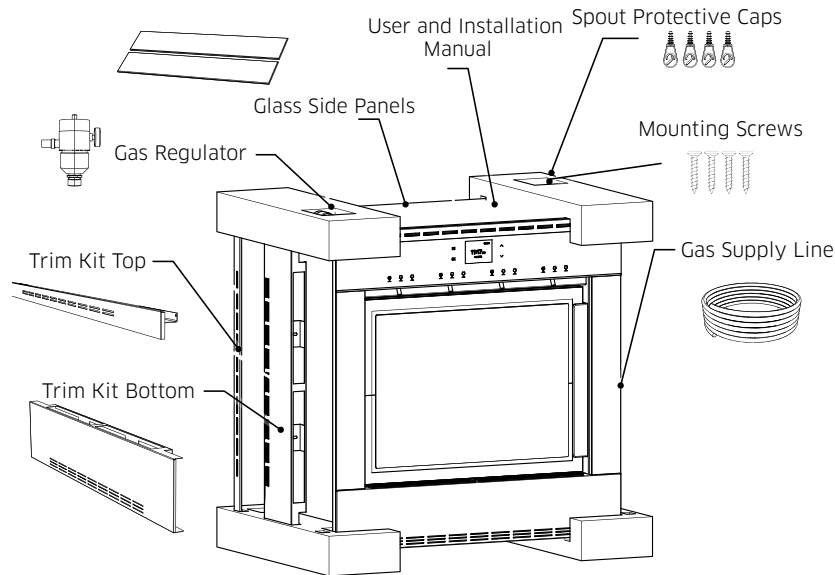


Verifique el contenido del paquete

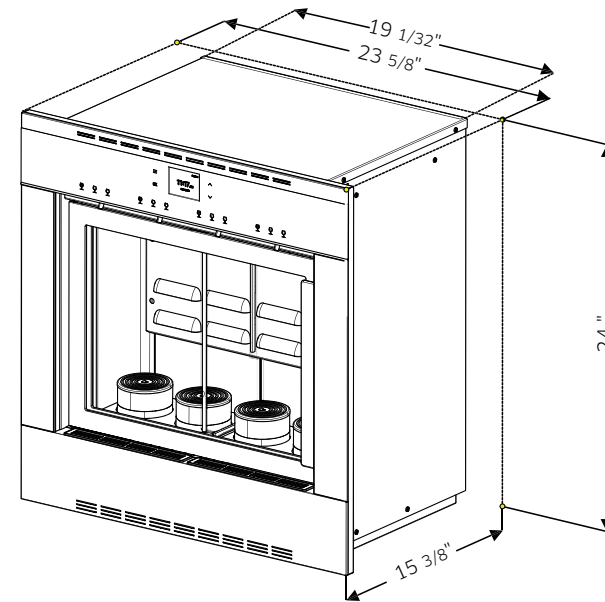
Compruebe que todas las piezas que se indican a continuación están incluidas en la caja de envío. Consulte el manual de uso y cuidado para obtener información sobre piezas y accesorios adicionales.

IMPORTANTE: La bombona de gas argón necesaria y los tubos de recogida no se envían con el sistema y deben pedirse por separado.

- Regulador de gas (1)
- Línea de suministro de gas (1)
- Tapas protectoras del caño (4)
- Kit de embellecedores inoxidables de grafito (1)
- Manual de uso y cuidado (1)
- Manual de instalación (1)
- Tornillos 4 x 3,5 mm x 30 mm para madera (4)



Especificaciones de Instalación

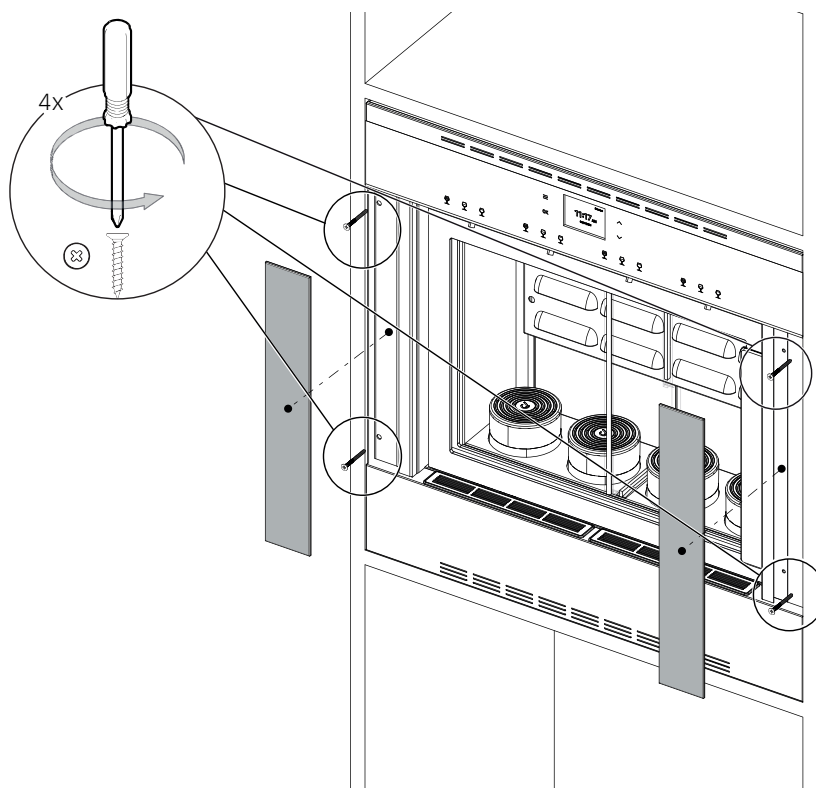


Especificaciones del Dispensador de Vino

Capacidad de la botella	4
Requisitos de entrada de la fuente de alimentación	120V 60Hz, 4 Amp. Se requiere un circuito de 3 cables con conexión a tierra
Longitud del cable de alimentación	6,5 pies (198 cm)
Peso del aparato	85 libras (vacío)
Temperatura de funcionamiento (ambiente)	Mín 59°F (15°C) - Máx 82°F (28°C)
Altura	24 "
Ancho	23 5/8"
Profundidad	15 3/8"

Instalación Empotrada

Especificaciones de Instalación



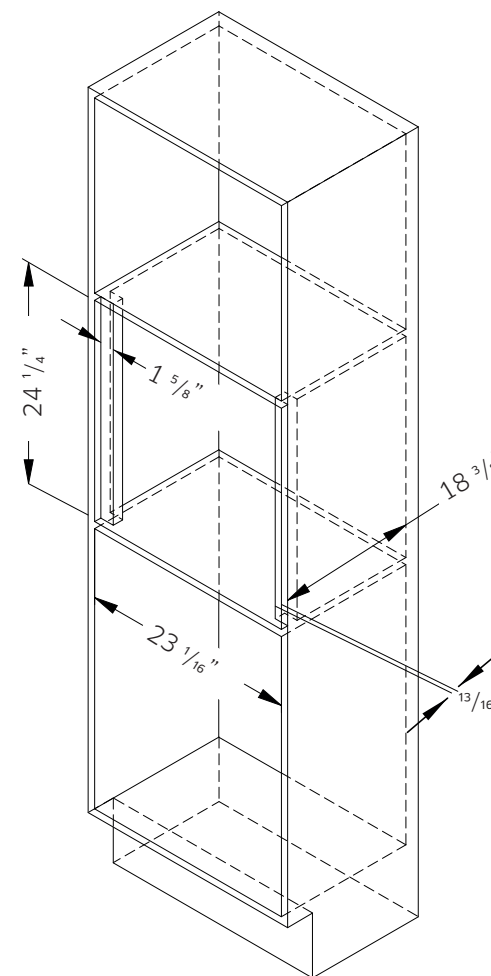
- A. Inserte 4 tornillos 3.5mm x 30mm en los agujeros previamente perforados
- B. Vuelva a colocar las tapas de cristal

Herramientas necesarias

Herramientas	
	Destornillador Philips - #3

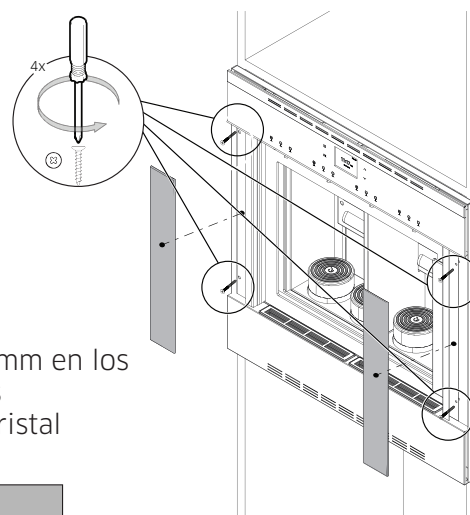
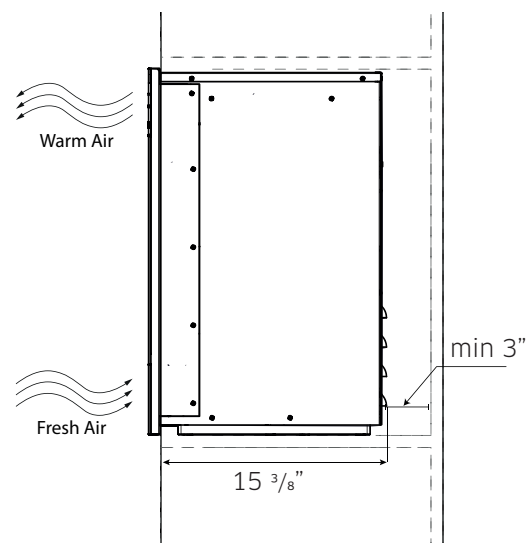
44 Español

Todas las tolerancias de los armarios: +1/16" (+1.6 mm/-0 mm) a menos que se indique lo contrario.



Instalación Estándar

IMPORTANTE: Deje al menos 3" para el cableado y los tubos
Permita la circulación de aire adecuada

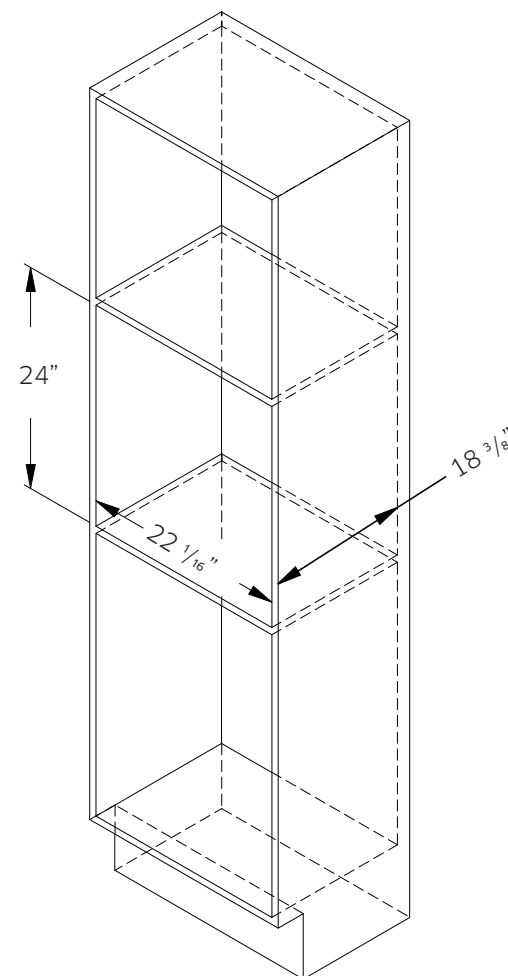


- A. Inserte 4 tornillos 3.5mm x 30mm en los agujeros previamente perforados
- B. Vuelva a colocar las tapas de cristal

Herramientas necesarias

Herramientas	
	Destornillador Philips - #3

Todas las tolerancias de los armarios: +1/16" (+1.6 mm/-0 mm)
a menos que se indique lo contrario.





Instrucciones de instalación

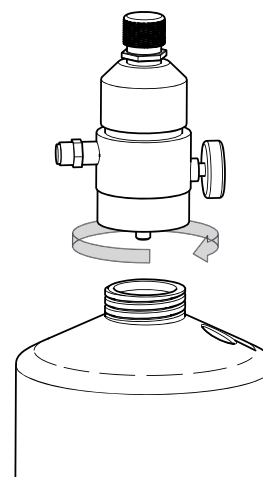
⚠ ADVERTENCIA

Para evitar lesiones personales, utilice únicamente el regulador de presión de gas incluido o un repuesto especificado por Dacor.

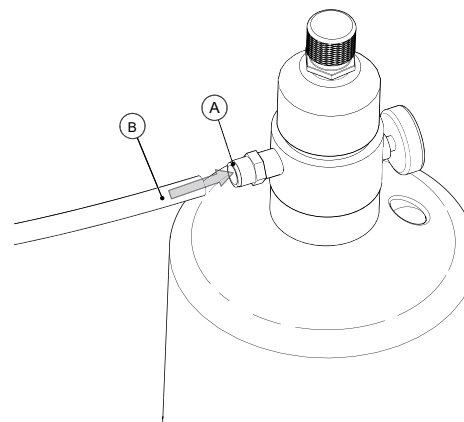
1. Antes de la instalación, asegúrese de que los agujeros de acceso para el cable de alimentación y la tubería de gas se han perforado en los armarios contiguos según sea necesario para permitir que pasen a través de la toma de corriente y la ubicación del cilindro de gas.
2. Enchufe un extremo del tubo de gas de plástico (suministrado) en el accesorio de compresión y apriételo en la parte posterior del sistema de dispensación de vino.

IMPORTANTE: No corte ni acorte la línea de suministro de gas.

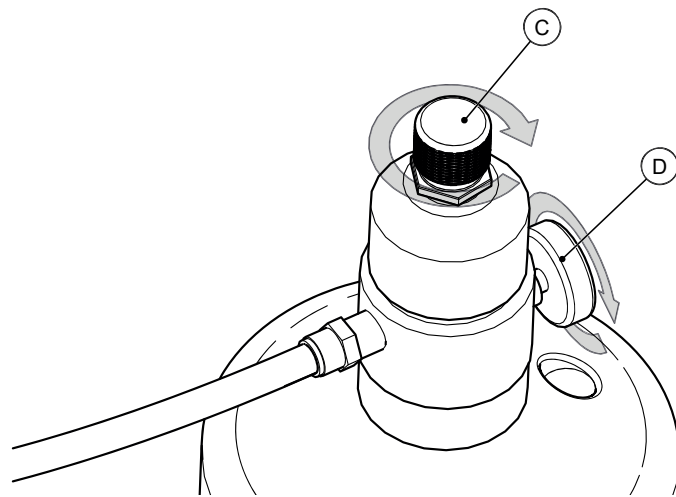
3. Si es necesario, pase el tubo de gas de plástico por los orificios de acceso perforados en los armarios contiguos.
4. Si es necesario, pase el cable de alimentación por los orificios de acceso perforados en los armarios contiguos.
5. Levante de forma lenta y suave la unidad y colóquela en su lugar definitivo. Mientras lo hace, pida a alguien que tire suavemente del tubo de gas y del cable de alimentación a través de los orificios de acceso a los armarios adyacentes (si es necesario). Tenga cuidado para asegurarse de que el cable de alimentación y la tubería de gas no se doblen ni se dañen.
6. Encuentre el conjunto regulador de gas que se envía con la unidad.
7. Asegúrese de que la perilla de ajuste del regulador esté girada completamente en la dirección OFF (Apagado).
8. Retire el tapón de plástico de la parte superior de la bombona de gas argón



9. Introduzca la parte superior de la bombona de gas en la parte inferior del conjunto regulador de gas y gírela en el sentido de las agujas del reloj hasta que quede ajustada. No apriete demasiado.



10. Enchufe el extremo del tubo de gas que sale del dispensador de vino (B) en el conjunto del regulador de gas (A).



11. Asegúrese de que el conducto de gas no está obstruido y gire el mando del regulador en la dirección ON (Encendido) hasta que se detenga.
12. Enchufe el cable de alimentación en la toma de corriente.
13. Presione el Menú ≡ en el panel de control para desbloquear la puerta

IMPORTANTE: La puerta está bloqueada por una cerradura eléctrica. No intente abrirla cuando esté desconectada.

Lista de comprobación de la instalación


⚠ ADVERTENCIA

Para garantizar una instalación segura y adecuada, el instalador debe completar la siguiente lista de comprobación para asegurarse de que no se ha pasado por alto ninguna parte de la instalación. La instalación correcta es responsabilidad del propietario de la sede.

- ¿Se ha proporcionado suficiente espacio alrededor de la unidad para permitir una ventilación adecuada?
- ¿Es la plataforma de apoyo lo suficientemente fuerte como para soportar el peso de la unidad?
- ¿Cumple el suministro eléctrico con las especificaciones?
- ¿Está la tubería de plástico de suministro de gas conectada a la parte trasera de la unidad?
- ¿Está el dispensador de vino conectado a la toma de corriente de tres clavijas con conexión a tierra?
- ¿Está el tubo de suministro de gas conectado al regulador de gas?
- ¿Está el regulador de gas conectado a la bombona de gas argón?
- ¿Está el botón del regulador de gas en la posición ON?

Puerta Reversible

Herramientas necesarias:

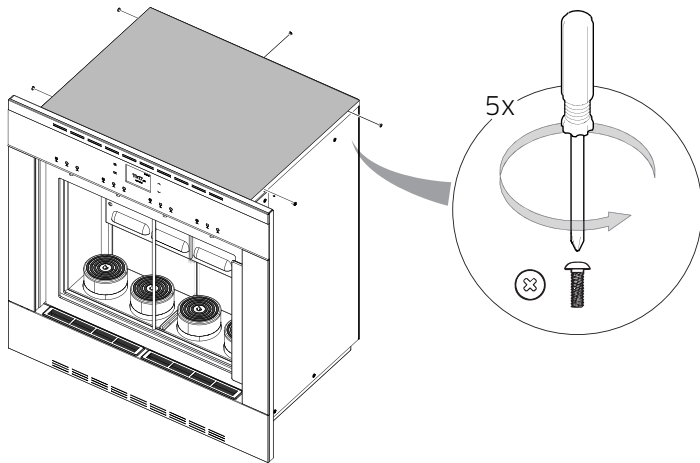
- Destornillador Philips - #3 
- Destornillador hexagonal (métrico) - 2,5mm
- Destornillador hexagonal (métrico) - 3mm

⚠ ADVERTENCIA

Desenchufe el aparato de la toma de corriente antes de iniciar estos pasos.

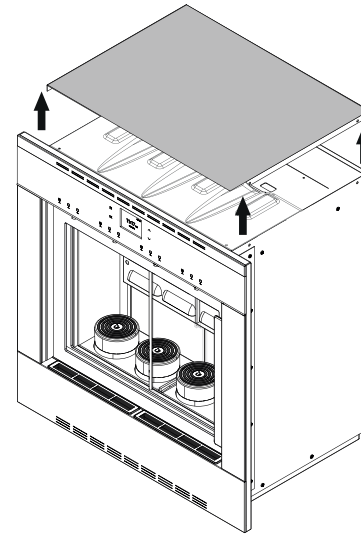
Pasos:

Puerta Reversible

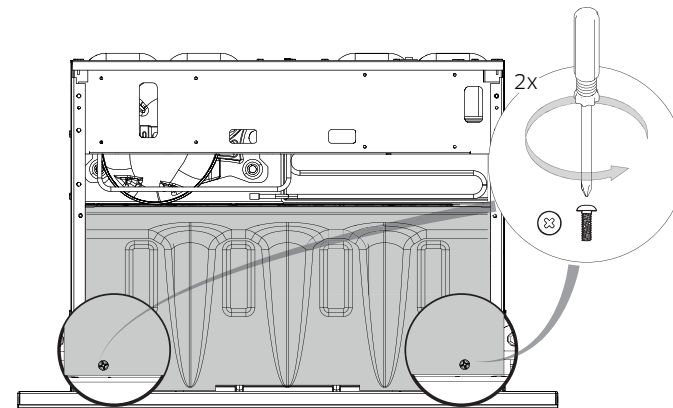


1. Retire los tornillos de la tapa superior.

2. Levante la tapa y apártela.

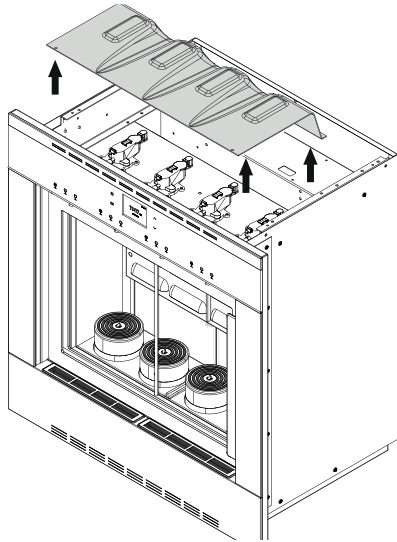


3. Retire los tornillos de la tapa.

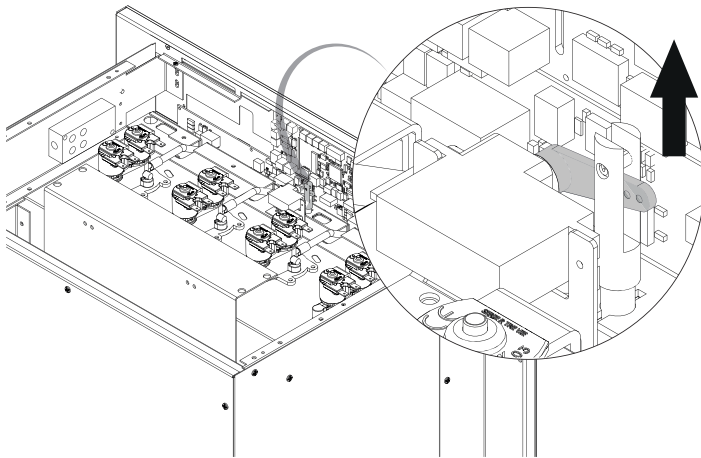




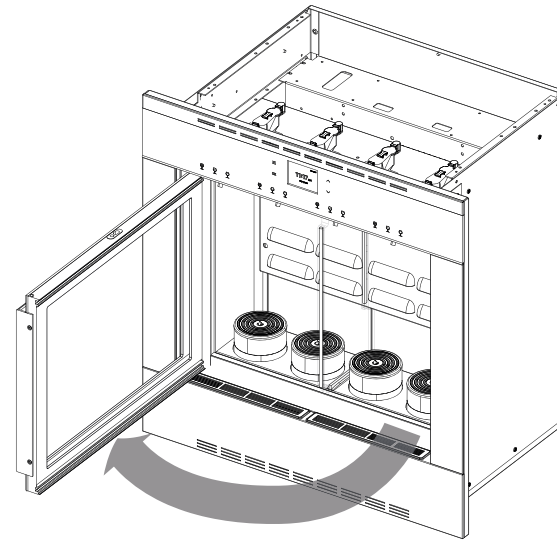
4. Levante la tapa y apártela.



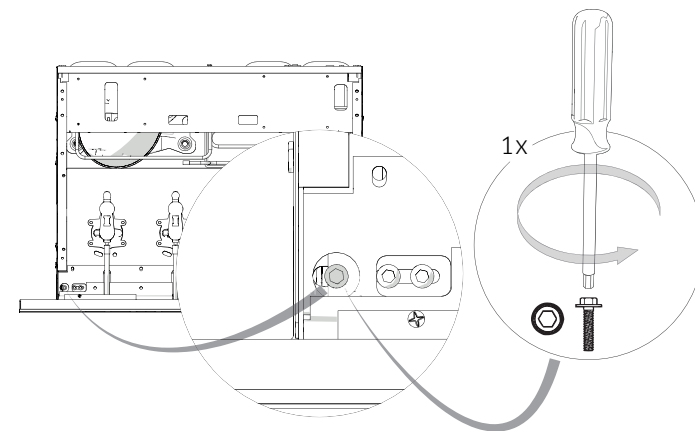
5. Levante la palanca del servocontrol para abrir la puerta.



6. Abra la puerta.



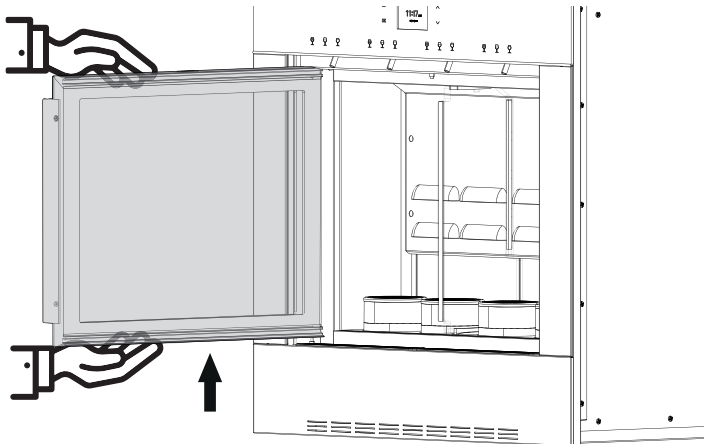
7. Retire el tornillo superior de la puerta (destornillador hexagonal M3,5) mientras sujeta la puerta.



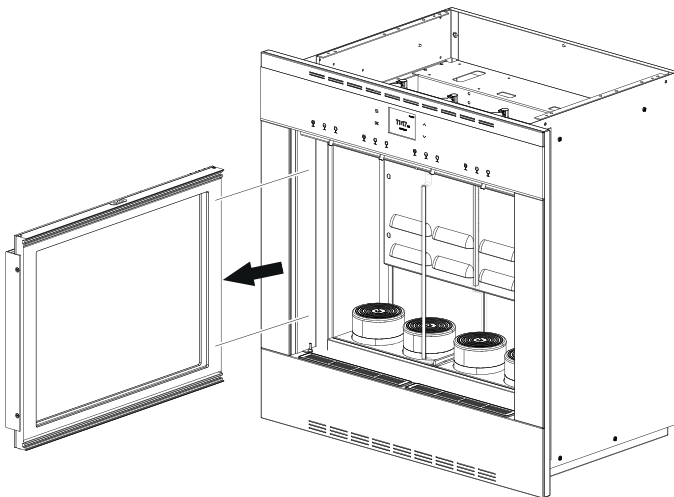
Puerta Reversible



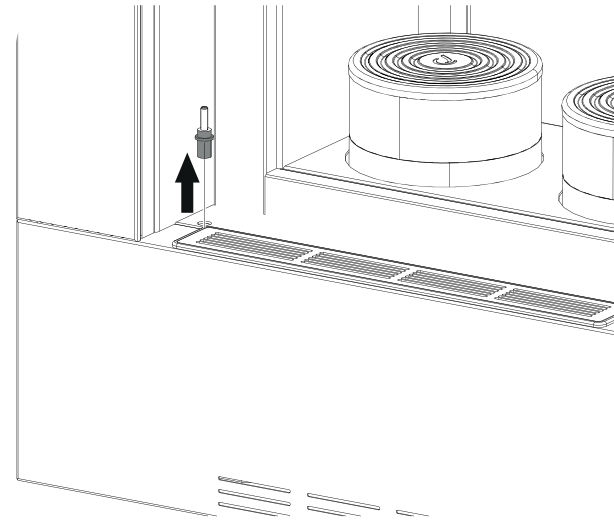
8. Levante la puerta manteniendo una mano en la parte superior y otra en la inferior.



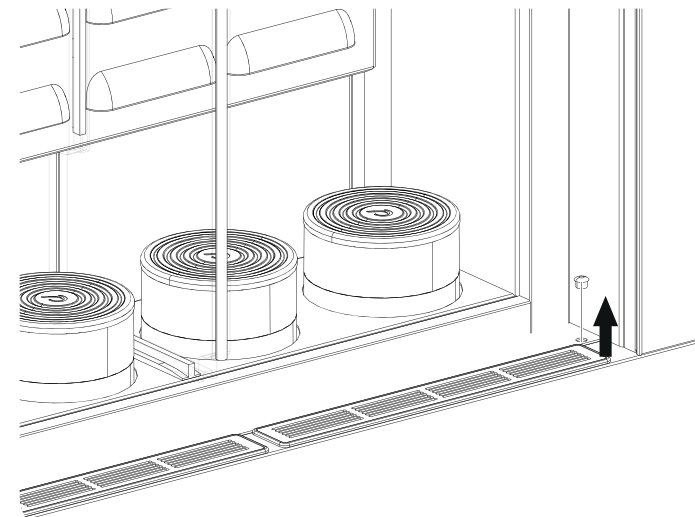
9. Tire de la puerta manteniendo una mano en la parte superior y otra en la inferior.



10. Retire el pasador y el soporte del pasador.

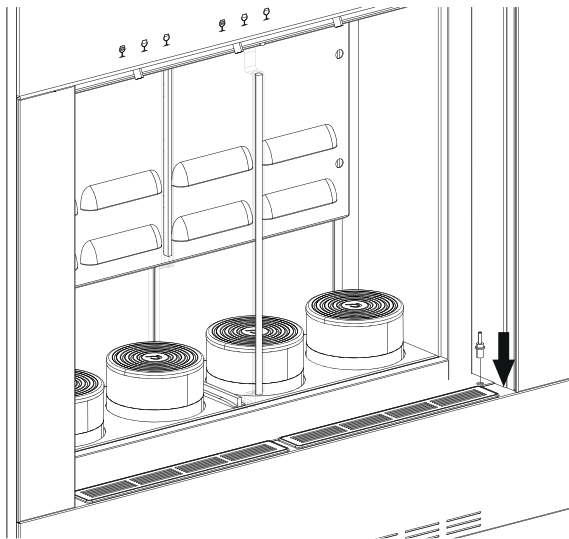


11. Retire la tapa del orificio del lado derecho.

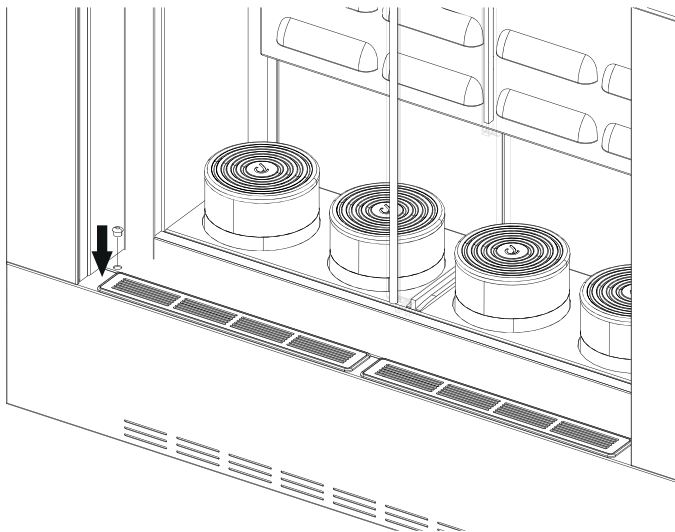




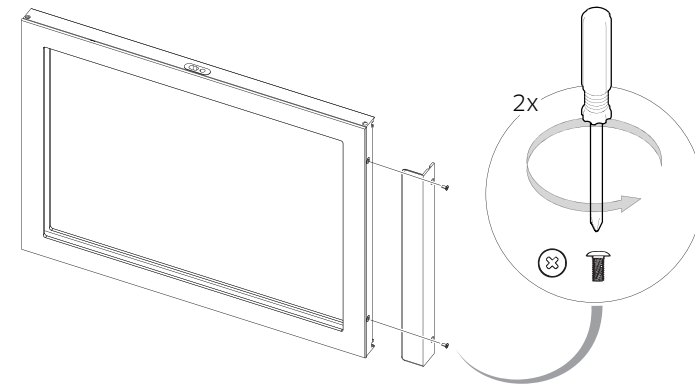
12. Inserte el soporte del pasador y el pasador en el orificio del lado derecho.



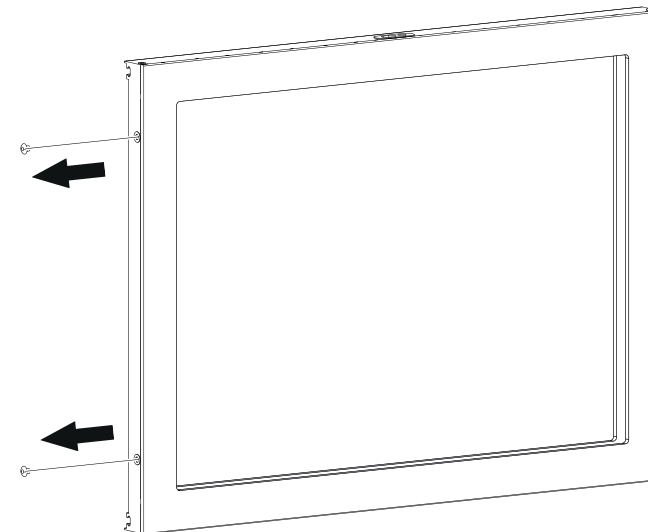
13. Inserte la tapa del agujero en el agujero del lado izquierdo.



14. Retire los tornillos del mango. (Destornillador Philips nº 3)



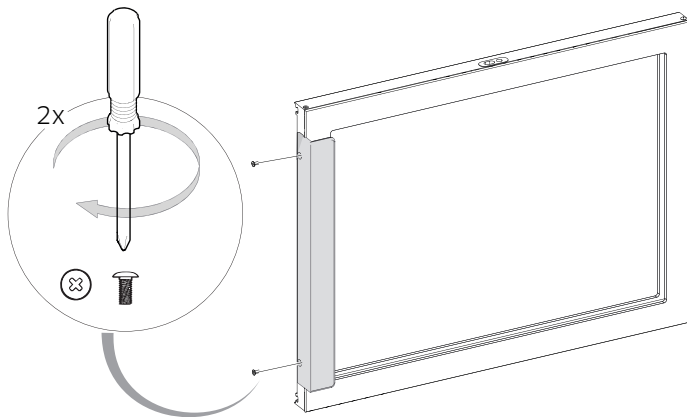
15. Quite las tapas de los agujeros del lado izquierdo de la puerta.



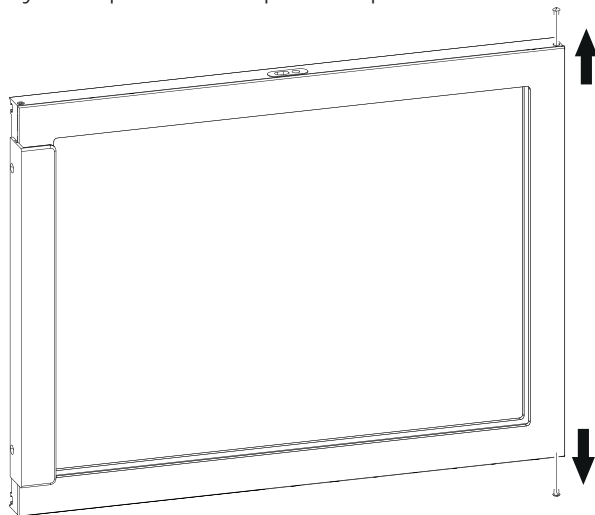
Puerta Reversible



16. Coloque el mango en el lado izquierdo de la puerta y atornillelo en su lugar (destornillador Philips nº 3).



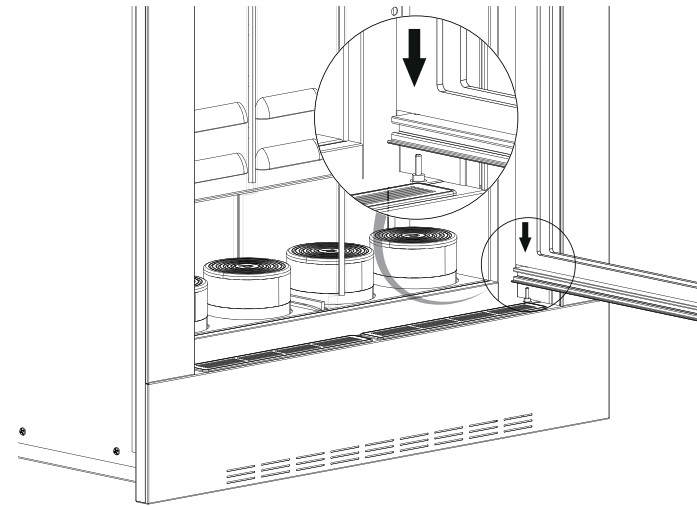
17. Retire las tapas de los agujeros de la parte superior e inferior derecha y colóquelas en la parte superior e inferior izquierda.



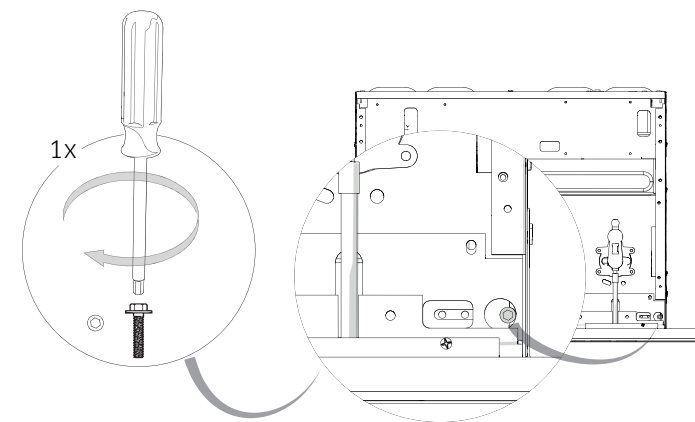
Puerta Reversible

52 Español

18. Coloque la puerta en el pasador inferior y sujétela con una mano.

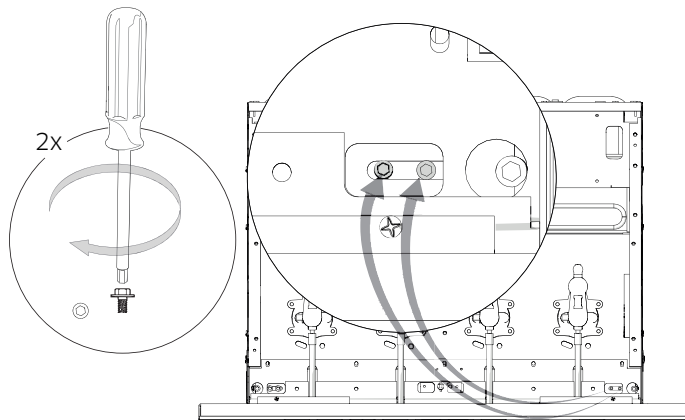


19. Inserte el tornillo superior (destornillador hexagonal M3,5) mientras sujeta la puerta con una mano.

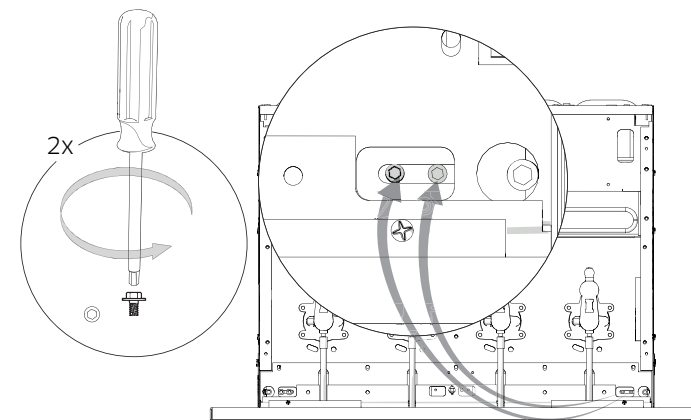




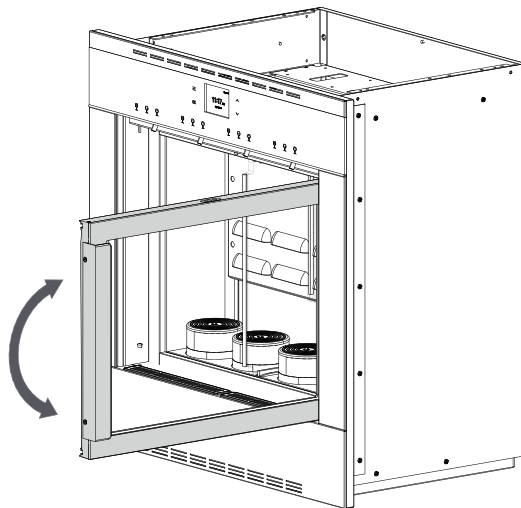
20. Afloje ligeramente los dos tornillos (destornillador hexagonal M2.5) para ajustar la inclinación de la puerta.



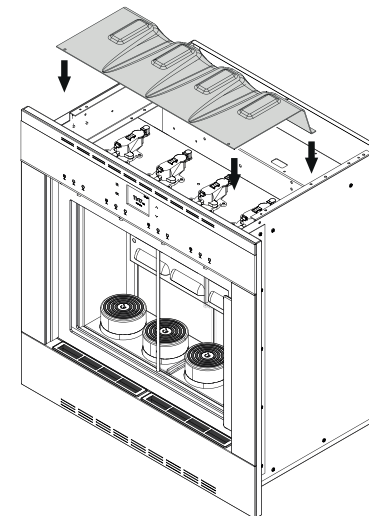
22. Apriete los dos tornillos (destornillador hexagonal M2.5) y cierre la puerta.



21. Ajuste la puerta a la cantidad de inclinación deseada y manténgala con una mano.



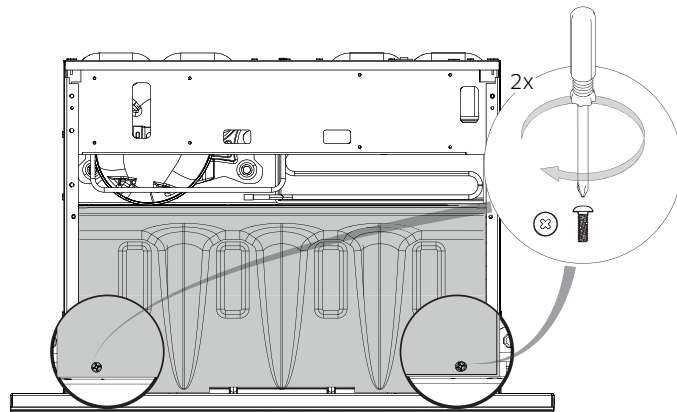
23. Vuelva a colocar la tapa en su lugar.



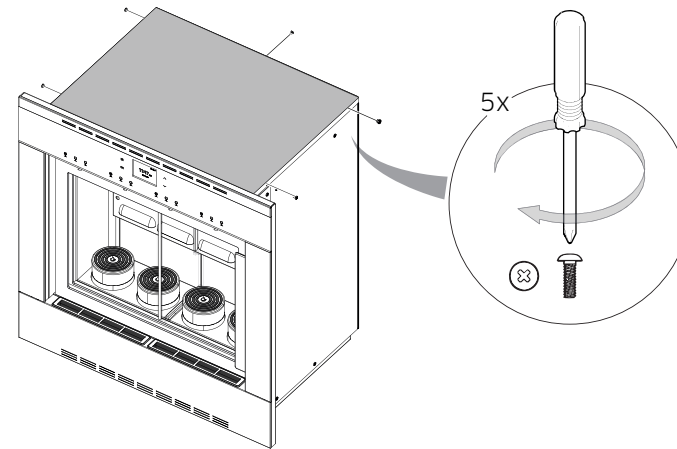
Puerta Reversible



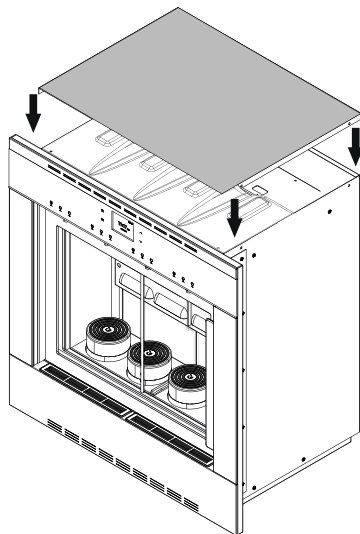
24. Vuelva a introducir los 2 tornillos.



26. Vuelva a introducir los 4 tornillos.



25. Vuelva a colocar la tapa en su lugar.



27. Vuelva a enchufar el aparato.



dacor[®]
