

30" AND 36" (76.2 CM AND 91.4 CM) GAS DOWNDRAFT COOKTOP

TABLE DE CUISSON À GAZ À EXTRACTION PAR
LE BAS DE 30 PO ET 36 PO (76,2 CM ET 91,4 CM)

Use & Care Guide

For questions about features, operation/performance, parts, accessories, or service in the U.S.A., call:
1-800-JENNAIR (1-800-536-6247) or visit our website at **www.jennair.com**.
In Canada, call: **1-800-JENNAIR (1-800-536-6247)** or visit our website at **www.jennair.ca**.

Guide d'utilisation et d'entretien

Pour des questions à propos des caractéristiques, du fonctionnement/rendement, des pièces, accessoires ou dépannage,
composer le : **1-800-JENNAIR (1-800-536-6247)** ou visitez notre site web à **www.jennair.com**.
Au Canada, composer le : **1-800-JENNAIR (1-800-536-6247)** ou visitez notre site web à **www.jennair.ca**.



TABLE OF CONTENTS

COOKTOP SAFETY	2
PARTS AND FEATURES	4
COOKTOP USE	5
Cooktop Controls.....	5
Sealed Surface Burners	5
Melt Cap.....	6
Surface Grates	6
JX3™ Downdraft Ventilation System.....	7
Home Canning	7
Cookware.....	7
COOKTOP CARE	7
General Cleaning.....	7
TROUBLESHOOTING	9
ASSISTANCE OR SERVICE	10
In the U.S.A.	10
Accessories	10
In Canada.....	10

TABLE DES MATIÈRES

SÉCURITÉ DE LA TABLE DE CUISSON	12
PIÈCES ET CARACTÉRISTIQUES	14
UTILISATION DE LA TABLE DE CUISSON	15
Commandes de la table de cuisson	15
Brûleurs de surface scellés.....	16
Chapeau pour faire fondre	17
Grilles de surface	17
Système de ventilation avec aspiration par le bas JX3™	17
Préparation de conserves à la maison	18
Ustensiles de cuisson	18
ENTRETIEN DE LA TABLE DE CUISSON	19
Nettoyage général.....	19
DÉPANNAGE	21
ASSISTANCE OU SERVICE	22
Aux É.-U.	22
Accessoires	22
Au Canada.....	22

COOKTOP SAFETY

Your safety and the safety of others are very important.

We have provided many important safety messages in this manual and on your appliance. Always read and obey all safety messages.



This is the safety alert symbol.

This symbol alerts you to potential hazards that can kill or hurt you and others.

All safety messages will follow the safety alert symbol and either the word “DANGER” or “WARNING.”

These words mean:

⚠ DANGER

You can be killed or seriously injured if you don't immediately follow instructions.

⚠ WARNING

You can be killed or seriously injured if you don't follow instructions.

All safety messages will tell you what the potential hazard is, tell you how to reduce the chance of injury, and tell you what can happen if the instructions are not followed.

WARNING: If the information in these instructions is not followed exactly, a fire or explosion may result causing property damage, personal injury or death.

- Do not store or use gasoline or other flammable vapors and liquids in the vicinity of this or any other appliance.
- **WHAT TO DO IF YOU SMELL GAS:**
 - Do not try to light any appliance.
 - Do not touch any electrical switch.
 - Do not use any phone in your building.
 - Immediately call your gas supplier from a neighbor's phone. Follow the gas supplier's instructions.
 - If you cannot reach your gas supplier, call the fire department.
- Installation and service must be performed by a qualified installer, service agency or the gas supplier.

 **WARNING:**

Never Operate the Top Surface Cooking Section of this Appliance Unattended

- Failure to follow this warning statement could result in fire, explosion, or burn hazard that could cause property damage, personal injury, or death.
- If a fire should occur, keep away from the appliance and immediately call your fire department.

DO NOT ATTEMPT TO EXTINGUISH AN OIL/GREASE FIRE WITH WATER.

WARNING: Gas leaks cannot always be detected by smell.

Gas suppliers recommend that you use a gas detector approved by UL or CSA.

For more information, contact your gas supplier.

If a gas leak is detected, follow the "What to do if you smell gas" instructions.

IMPORTANT SAFETY INSTRUCTIONS

WARNING: To reduce the risk of fire, electrical shock, injury to persons, or damage when using the cooktop, follow basic precautions, including the following:

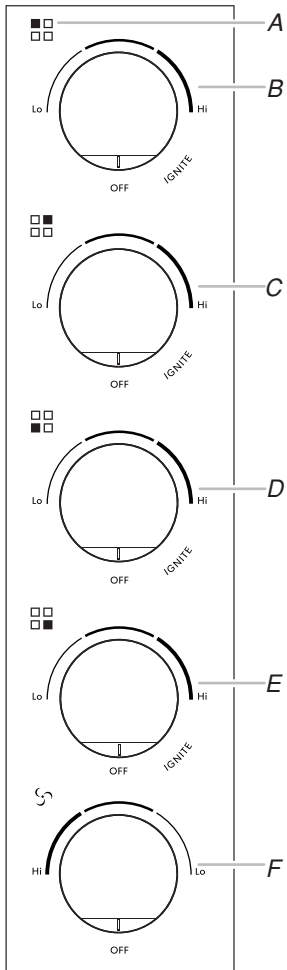
- **WARNING:** NEVER use this appliance as a space heater to heat or warm the room. Doing so may result in carbon monoxide poisoning and overheating of the cooktop.
- **CAUTION:** Do not store items of interest to children in cabinets above the cooktop – children climbing on the cooktop to reach items could be seriously injured.
- Proper Installation – The cooktop, when installed, must be electrically grounded in accordance with local codes or, in the absence of local codes, with the *National Electrical Code, ANSI/NFPA70* or the *Canadian Electrical Code, Part 1*. Be sure the cooktop is properly installed and grounded by a qualified technician.
- This cooktop is equipped with a three-prong grounding plug for your protection against shock hazard and should be plugged directly into a properly grounded receptacle. Do not cut or remove the grounding prong from this plug.
- Disconnect the electrical supply before servicing the cooktop.
- Injuries may result from the misuse of the cooktop such as stepping, leaning, or sitting on the top surface.
- Maintenance – Keep cooktop area clear and free from combustible materials, gasoline, and other flammable vapors and liquids.
- Storage on the cooktop – Flammable materials should not be stored on or near surface units.
- Top burner flame size should be adjusted so it does not extend beyond the edge of the cooking utensil.

SAVE THESE INSTRUCTIONS

PARTS AND FEATURES

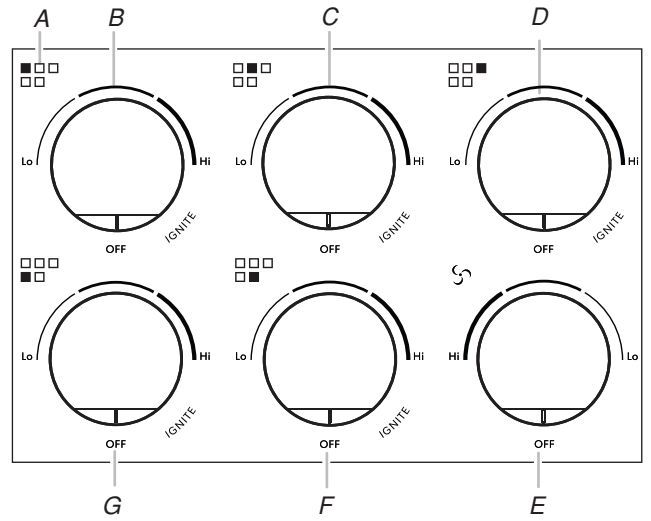
This manual covers different models. The cooktop you have purchased may have some or all of the items listed.

30" (76.2 cm) Control Panel



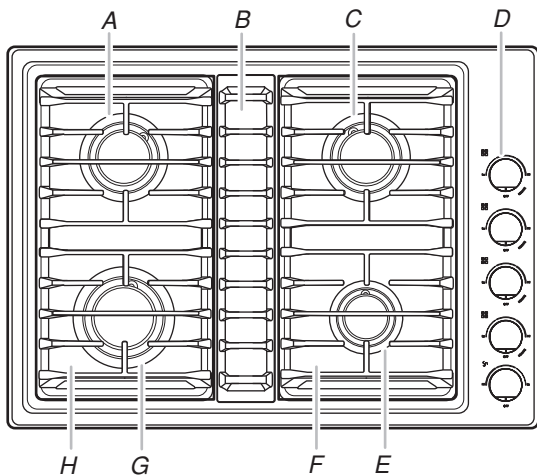
- A. Surface burner locator
- B. Left rear control knob
- C. Right rear control knob
- D. Left front control knob
- E. Right front control knob
- F. 3-speed vent fan control knob

36" (91.4 cm) Control Panel



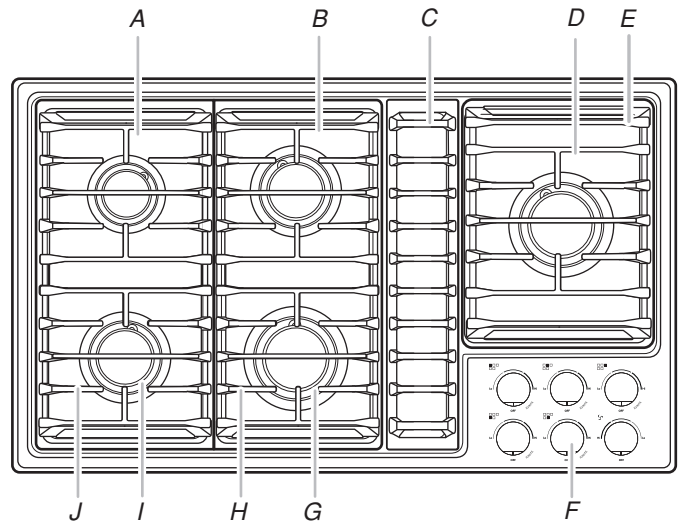
- A. Surface burner locator
- B. Left rear control knob
- C. Center rear control knob
- D. Right rear control knob
- E. 3-speed fan control knob
- F. Center front control knob
- G. Left front control knob

30" (76.2 cm) Cooktop



- A. Left rear 5,000 Btu/h burner
- B. Downdraft vent grille
- C. Right rear 15,000 Btu/h burner
- D. Control panel
- E. Right front 10,000 Btu/h burner
- F. Right side grate
- G. Left front 17,000 Btu/h burner
- H. Left side grate.

36" (91.4 cm) Cooktop



- A. Left rear 5,000 Btu/h burner
- B. Center rear 12,500 Btu/h burner
- C. Downdraft vent grille
- D. Right rear 17,000 Btu/h burner
- E. Right side grate
- F. Control panel
- G. Center front 15,000 Btu/h burner
- H. Center grate
- I. Left front 10,000 Btu/h burner
- J. Left side grate

COOKTOP USE

Cooktop Controls

⚠ WARNING



Fire Hazard

Do not let the burner flame extend beyond the edge of the pan.

Turn off all controls when not cooking.

Failure to follow these instructions can result in death or fire.

Electric igniters automatically light the surface burners when control knobs are turned to Ignite and will automatically reignite if the flame is extinguished.

NOTE: All igniters will spark when lighting; however, only the selected burner will ignite.

If a cross draft is present, the flame may be affected and some sparking may occur. This is normal.

Before setting a control knob, place filled cookware on the grate. Do not operate a burner using empty cookware or without cookware on the grate.

Lighting the Burners

IMPORTANT: All burners will click/spark when a knob is pushed in. A burner will light only if the knob is pushed in and then turned counterclockwise to Ignite.

To light the burners:

1. Push in the knob.
2. Turn the knob counterclockwise to Ignite. Wait until you see a flame.
3. Turn the knob to anywhere between HI and LO to the desired setting.

Setting	Recommended Use
HI	<ul style="list-style-type: none"> ■ Start food cooking. ■ Bring liquid to a boil. ■ Hold a rapid boil. ■ Quickly brown or sear food. ■ Fry chicken.
Medium between HI and LO	<ul style="list-style-type: none"> ■ Maintain a slow boil. ■ Fry or sauté foods. ■ Cook soups, sauces, and gravies. ■ Stew or steam food.
LO	<ul style="list-style-type: none"> ■ Simmer. ■ Keep food warm.

REMEMBER: When cooktop is in use, the entire cooktop area may become hot.

Power failure

In case of prolonged power failure, the surface burners can be lit manually. Hold a lit match near a burner and turn knob counterclockwise to HI. After burner lights, turn knob to setting. The vent fan will not work.

NOTE: The downdraft vent will not operate during a power failure.

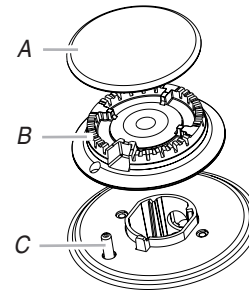
Flame-Sensing Reignition

Your cooktop has sealed gas burners with Flame-Sensing Reignition. If any burner flame should go out, the system will automatically spark to reignite the burner (all igniters will spark when any flame is extinguished; however, only the selected burner will reignite). If intermittent sparking occurs, increase flame (rotate knob clockwise) until clicking (spark) sound ceases.

Smart Port Burner System

This cooktop is equipped with a Smart Port Burner System. The Smart Port Burner System produces a small flame directly under each grate finger and a larger flame between each grate finger. The visual difference between the ports will be noticeable when the burner is used or when adjustments are made to the flame length.

Sealed Surface Burners

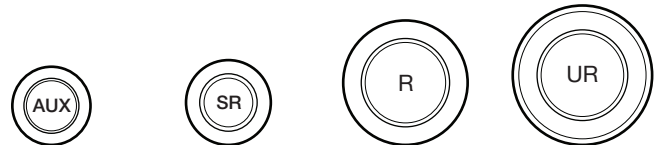


A. Cap
B. Spreader
C. Electrode

IMPORTANT: Do not obstruct the flow of combustion and ventilation air around the burner grate edges.

Burner cap: Always keep the burner cap in place when using a surface burner. A clean burner cap will help avoid poor ignition and uneven flames. Always clean the burner cap after a spillover and routinely remove and clean the caps according to the "General Cleaning" section.

NOTE: Each round burner base is marked with a letter indicating the burner size. Place the burner caps on the appropriate burner bases.

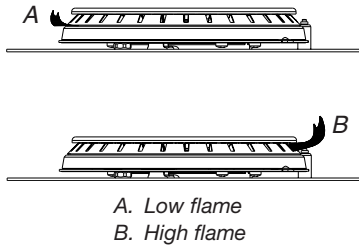


Small (AUX) Medium (SR) Large (R) Extra large (UR)

Alignment: Be sure to align the gas tube opening in the burner base with the orifice holder on the cooktop and the igniter electrode with the notch in the burner base.

NOTE: Each round burner base is marked with a letter indicating the burner size. Place the burner caps on the appropriate burner bases.

Gas tube opening: Gas must flow freely throughout the gas tube opening for the burner to light properly. Keep this area free of soil and do not allow spills, food, cleaning agents, or any other material to enter the gas tube opening. Keep spillovers out of the gas tube by always using a burner cap.

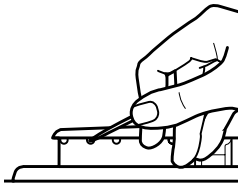


Burner ports: Check burner flames occasionally for proper size and shape as shown in the previous illustration. A good flame is blue in color, not yellow. Keep this area free of soil and do not allow spills, food, cleaning agents, or any other material to enter the burner ports.

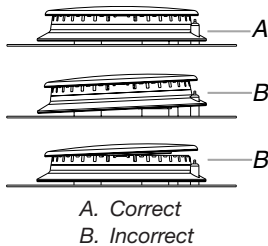
To Clean:

IMPORTANT: Before cleaning, make sure all controls are OFF and the oven and cooktop are cool. Do not use oven cleaners, bleach, or rust removers.

1. Remove the burner cap from the burner base and clean according to the "General Cleaning" section.
2. Clean the gas tube opening with a damp cloth.
3. Clean clogged burner ports with a straight pin as shown. Do not enlarge or distort the port. Do not use a wooden toothpick. If the burner needs to be adjusted, contact a trained repair specialist.



4. Replace the burner cap, making sure the alignment pins are properly aligned with the burner cap. Each round burner cap is marked with letters indicating the burner size. Place the burner caps on the appropriate burner bases.

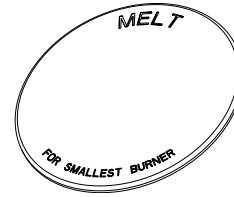


IMPORTANT: The bottom of the small and medium caps are different. Do not put the wrong size burner cap on the burner base.

5. Turn on the burner. If the burner does not light, verify the burner cap placement and check cap and burner base alignment. If the burner still does not light, do not service the sealed burner yourself. Contact a trained repair specialist.

Melt Cap

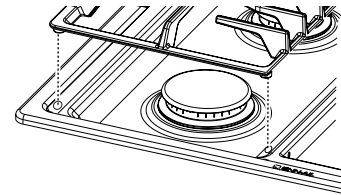
For melting chocolate or butter or an even more delicate simmer, the melt cap can be used in place of the standard burner cap. The melt cap should only be used on the small burner (right rear). Remove the small burner cap and replace it with the larger melt cap for delicate simmering. For less delicate simmering, use the small cap.



Surface Grates

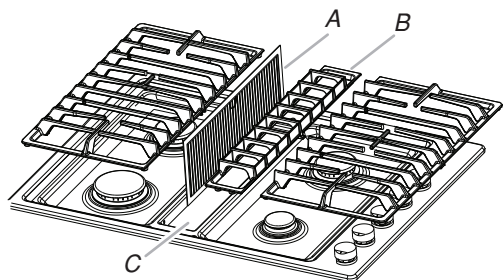
The grates must be properly positioned before cooking. In the proper position the grates should be flush and level. Improper installation of the grates may result in chipping or scratching of the cooktop.

To ensure proper positioning, align bumpers on grate bottom with the indentations in the cooktop. See cooktop illustrations in the "Parts and Features" section for proper grate positioning.



Although the burner grates are durable, they will gradually lose their shine and/or discolor due to the high temperatures of the gas flame.

JX3™ Downdraft Ventilation System



- A. Removable grease filter
- B. Downdraft grate
- C. Filter support tray (non-removable)

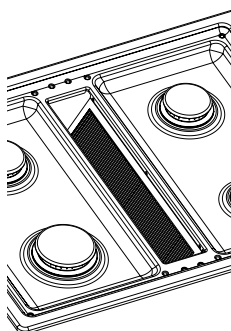
The built-in downdraft ventilation system removes cooking vapors, odors, and smoke from foods prepared on the cooktop.

IMPORTANT: For optimal performance, operate downdraft ventilation system with the filter properly installed.

To avoid the buildup of grease, the filter should be cleaned often.

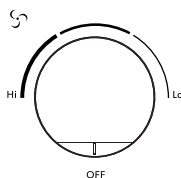
The filter should always be placed at an angle. As you face the front of the cooktop, the top of the filter should rest against the right side of the vent opening. The bottom of the filter should rest against the left side of the vent chamber at the bottom.

If the filter is flat against the fan wall, ventilation effectiveness will be reduced.



To Use:

Turn vent knob to desired speed: HI, LO, or to the midpoint between Hi and Lo for Medium. Turn vent fan knob to OFF when finished cooking or when the cooktop is not in use.



Home Canning

When canning for long periods, alternate the use of surface burners between batches. This allows time for the most recently used areas to cool.

- Center the canner on the grate above the burner.
- Do not place canner on 2 surface burners at the same time.
- For more information, contact your local agricultural department. Companies that manufacture home canning products can also offer assistance.

Cookware

IMPORTANT: Do not leave empty cookware on a hot surface cooking area, element, or surface burner.

Ideal cookware should have a flat bottom, straight sides, and a well-fitting lid and the material should be of medium-to-heavy thickness.

Rough finishes may scratch the cooktop or grates. Aluminum and copper may be used as a core or base in cookware. However, when used as a base, they can leave permanent marks on the cooktop or grates.

Cookware material is a factor in how quickly and evenly heat is transferred which affects cooking results. A nonstick finish has the same characteristics as its base material.

For example, aluminum cookware with a nonstick finish will take on the properties of aluminum.

Use the following chart as a guide for cookware material characteristics.

Cookware	Characteristics
Aluminum	<ul style="list-style-type: none"> ■ Heats quickly and evenly. ■ Suitable for all types of cooking ■ Medium or heavy thickness is best for most cooking tasks.
Cast iron	<ul style="list-style-type: none"> ■ Heats slowly and evenly. ■ Good for browning and frying ■ Maintains heat for slow cooking.
Ceramic or ceramic glass	<ul style="list-style-type: none"> ■ Follow manufacturer's instructions. ■ Heats slowly but unevenly. ■ Ideal results on low-to-medium heat settings.
Copper	<ul style="list-style-type: none"> ■ Heats very quickly and evenly.
Earthenware	<ul style="list-style-type: none"> ■ Follow manufacturer's instructions. ■ Use on low heat settings.
Porcelain enamel-on-steel or cast iron	<ul style="list-style-type: none"> ■ See stainless steel or cast iron.
Stainless steel	<ul style="list-style-type: none"> ■ Heats quickly but unevenly. ■ A core or base of aluminum or copper on stainless steel provides even heating.

COOKTOP CARE

General Cleaning

IMPORTANT: Before cleaning, make sure all controls are OFF and the cooktop is cool. Always follow label instructions on cleaning products.

Soap, water, and a soft cloth or sponge are suggested first unless otherwise noted.

EXTERIOR PORCELAIN ENAMEL SURFACES (on some models)

Food spills containing acids, such as vinegar and tomato, should be cleaned as soon as the entire appliance is cool. These spills may affect the finish.

Cleaning Method:

- Glass cleaner, mild liquid cleaner, or nonabrasive scrubbing pad
- Affresh® Kitchen and Appliance Cleaner Part Number W10355010 (not included): See the "Assistance or Service" section to order.

STAINLESS STEEL COOKTOP

To avoid damage to stainless steel surfaces, do not use soap-filled scouring pads, abrasive cleaners, cooktop cleaner, steelwool pads, gritty washcloths, or abrasive paper towels.

For best results, use a soft cloth or non-scratch sponge.

Rub in direction of grain to avoid damaging.

Cleaning Method:

- Affresh® Stainless Steel Cleaner Part Number W10355016 (not included):
See the “Assistance or Service” section to order.
- All purpose cleaner:
Rinse with clean water and dry with soft, lint-free cloth.
- Vinegar for hard water spots

COOKTOP CONTROLS

To avoid damage to the cooktop controls, do not use steel wool, abrasive cleansers, or oven cleaner.

To avoid damage, do not soak knobs.

When replacing knobs, make sure knobs are in the Off position.

On some models, do not remove seals under knobs.

Cleaning Method:

- Soap and water:
Pull knobs straight away from control panel to remove.

PORCELAIN-COATED GRATES AND CAPS

Food spills containing acids, such as vinegar and tomato, should be cleaned as soon as the cooktop, grates, and caps are cool. These spills may affect the finish.

To avoid chipping, do not bang grates and caps against each other or hard surfaces such as cast iron cookware.

Do not reassemble caps on burners while wet.

Cleaning Method:

- Nonabrasive plastic scrubbing pad and mildly abrasive cleanser:
Clean as soon as cooktop, grates, and caps are cool.
- Dishwasher (grates only, not caps):
Use the most aggressive cycle.
- Gas Grate and Drip Pan Cleaner Part Number 31617 (not included):
See the “Assistance or Service” section to order.

SURFACE BURNERS AND ELECTRONIC IGNITER

Surface Burners

See the “Sealed Surface Burners” section.

Electronic Igniter

Cleaning Method:

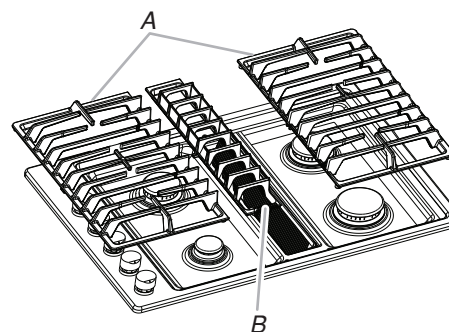
- Clean ceramic post with a cotton swab:
Affresh® Kitchen and Appliance Cleaner Part Number W10355010 (not included):
See the “Assistance or Service” section to order.

DOWNDRAFT VENTILATION SYSTEM

Vent Grate

Cleaning Method:

- Lift off the vent grate.



A. Burner grates
B. Vent grate

- Nonabrasive plastic scrubbing pad and mildly abrasive cleanser:
Wipe clean or wash in sink.
- Dishwasher:
Use mild detergent.

Removable Grease Filter

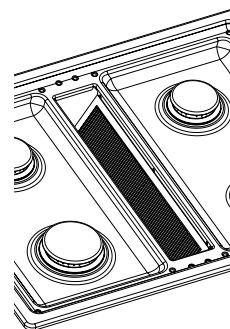
The filter is a permanent type and should be cleaned when soiled.

Cleaning Method:

- Turn off the downdraft ventilation system before removing the filter.
- Remove burner grates, then vent grate and lift the filter out of the vent chamber.
- Clean the filter in the sink with warm water and detergent or in the top rack of the dishwasher.
- Replace the filter.

The filter should always be placed at an angle. As you face the front of the cooktop, the top of the filter should rest against the right side of the vent opening. The bottom of the filter should rest against the left side of the vent chamber at the bottom.

If the filter is flat against the fan wall, ventilation effectiveness will be reduced.



Ventilation Chamber

The ventilation chamber, which houses the filter, should be cleaned in the event of spills or when it becomes coated with a film of grease.

Cleaning Method:

- Mild household detergent or cleanser and paper towel, damp cloth, or sponge:
Apply detergent or cleanser to paper towel, damp cloth or sponge, not directly to the ventilation chamber.

TROUBLESHOOTING

First try the solutions suggested here. If you need further assistance or more recommendations that may help you avoid a service call, refer to the “Warranty,” or visit producthelp.jennair.com. In Canada, visit <http://www.jennair.ca>.

Contact us by mail with any questions or concerns at the address below.

In the U.S.A.:


Jennair Brand Home Appliances
Customer eXperience Center
553 Benson Road
Benton Harbor, MI 49022-2692

In Canada:

Jennair Brand Home Appliances
Customer eXperience Centre
200 - 6750 Century Ave.
Mississauga, Ontario L5N 0B7

Please include a daytime phone number in your correspondence.

⚠ WARNING



Electrical Shock Hazard

Plug into a grounded 3 prong outlet.

Do not remove ground prong.

Do not use an adapter.

Do not use an extension cord.

Failure to follow these instructions can result in death, fire, or electrical shock.

Problem	Possible Causes and/or Solutions
Nothing will operate	<p>A household fuse has blown or a circuit breaker has tripped : Replace the fuse or reset the circuit breaker. If the problem continues, call an electrician.</p> <p>The power supply cord is unplugged : Plug into a grounded 3 prong outlet.</p>
Surface burners will not operate	<p>First time the surface burners have been used : Turn on any one of the surface burner knobs to release air from the gas lines.</p> <p>Control knob set incorrectly : Push in knob before turning to a setting.</p> <p>Burner ports are clogged : See the “Sealed Surface Burners” section.</p>
Surface burner flames are uneven, yellow, and/or noisy	<p>Burner ports are clogged : See the “Sealed Surface Burners” section.</p> <p>Burner caps and heads are positioned improperly : See the “Sealed Surface Burners” section.</p> <p>Propane gas is being used : The cooktop may have been converted improperly. Contact a service technician.</p>
Surface burner makes popping noises	<p>The burner is wet : Let it dry.</p>
Continuous sparking of igniter	<p>Cross draft is drawing the flame away from the igniter : This is normal when a cross draft is present.</p> <p>Power supply cord is improperly grounded/polarized : See the Installation Instructions.</p> <p>Burner caps and heads are positioned improperly : See the “Sealed Surface Burners” section.</p>
Excessive heat around cookware on cooktop	<p>Cookware is not the proper size : Use cookware about the same size as the surface cooking area, element, or surface burner. Cookware should not extend more than 1/2" (1.3 cm) outside the cooking area.</p>
Cooktop cooking results not what expected	<p>Proper cookware is not being used : See the “Cookware” section.</p> <p>Control knob is not set to the proper heat level : See the “Cooktop Controls” section.</p> <p>Cooktop is not level : Level the cooktop. See the Installation Instructions.</p>

ASSISTANCE OR SERVICE

If you need service

Please refer to the warranty.

If you need replacement parts

If you need to order replacement parts, we recommend that you use only factory specified parts. These factory specified parts will fit right and work right because they are made with the same precision used to build every new Jennair® appliance.

To locate factory specified parts in your area, call us or your nearest Jennair designated service center.

In the U.S.A.

Call the Jennair Customer eXperience Center toll-free: **1-800-JENNAIR (1-800-536-6247)** or visit our website at **www.jennair.com**.

Our consultants provide assistance with:

- Scheduling of service. Jennair appliances designated service technicians are trained to fulfill the product warranty and provide after-warranty service anywhere in the United States.
- Features and specifications on our full line of appliances.
- Referrals to local Jennair appliance dealers.
- Installation information.
- Use and maintenance procedures.
- Accessory and repair parts sales.
- Specialized customer assistance (Spanish speaking, hearing impaired, limited vision, etc.).

For further assistance:

If you need further assistance, you can write to Jennair with any questions or concerns at:

Jennair Appliances
Customer eXperience Center
553 Benson Road
Benton Harbor, MI 49022-2692

Please include a daytime phone number in your correspondence.

In Canada

Call the Jennair Customer eXperience Center toll-free: **1-800-JENNAIR (1-800-536-6247)** or visit our website at **www.jennair.ca**.

Our consultants provide assistance with:

- Scheduling of service. Jennair appliances designated service technicians are trained to fulfill the product warranty and provide after-warranty service anywhere in Canada.
- Features and specifications on our full line of appliances.
- Referrals to local Jennair appliance dealers.
- Use and maintenance procedures.
- Accessory and repair parts sales.

For further assistance:

If you need further assistance, you can write to Jennair with any questions or concerns at:

Customer eXperience Centre
Whirlpool Canada
200 - 6750 Century Ave.
Mississauga, Ontario L5N 0B7

Please include a daytime phone number in your correspondence.

Accessories

To order accessories, visit our website at **www.jennair.com**.

Affresh® Stainless Steel Cleaner

(stainless steel models)
Order Part Number W10355016

Affresh® Kitchen and Appliance Cleaner

Order Part Number W10355010

SÉCURITÉ DE LA TABLE DE CUISSON

Votre sécurité et celle des autres est très importante.

Nous donnons de nombreux messages de sécurité importants dans ce manuel et sur votre appareil ménager. Assurez-vous de toujours lire tous les messages de sécurité et de vous y conformer.



Voici le symbole d'alerte de sécurité.

Ce symbole d'alerte de sécurité vous signale les dangers potentiels de décès et de blessures graves à vous et à d'autres.

Tous les messages de sécurité suivront le symbole d'alerte de sécurité et le mot "DANGER" ou "AVERTISSEMENT". Ces mots signifient :

⚠ DANGER

Risque possible de décès ou de blessure grave si vous ne suivez pas immédiatement les instructions.

⚠ AVERTISSEMENT

Risque possible de décès ou de blessure grave si vous ne suivez pas les instructions.

Tous les messages de sécurité vous diront quel est le danger potentiel et vous disent comment réduire le risque de blessure et ce qui peut se produire en cas de non-respect des instructions.

AVERTISSEMENT : Si les renseignements dans ces instructions ne sont pas exactement observés, un incendie ou une explosion peut survenir, causant des dommages au produit, des blessures ou un décès.

- Ne pas entreposer ni utiliser de l'essence ou d'autres vapeurs ou liquides inflammables à proximité de cet appareil ou de tout autre appareil électroménager.
- **QUE FAIRE DANS LE CAS D'UNE ODEUR DE GAZ :**
 - Ne pas tenter d'allumer un appareil.
 - Ne pas toucher à un commutateur électrique.
 - Ne pas utiliser le téléphone se trouvant sur les lieux.
 - Appeler immédiatement le fournisseur de gaz à partir du téléphone d'un voisin. Suivre ses instructions.
 - À défaut de joindre votre fournisseur de gaz, appeler les pompiers.
- L'installation et l'entretien doivent être effectués par un installateur qualifié, une agence de service ou le fournisseur de gaz.

⚠ ATTENTION :

Ne faites jamais fonctionner la surface de cuisson, sur le dessus de cet appareil, sans surveillance.

- Le non-respect de cette mise en garde pourrait entraîner un incendie, une explosion ou un risque de brûlure et ainsi causer des dommages matériels, des blessures ou la mort.
- Si l'appareil prend feu, tenez-vous à l'écart et appelez immédiatement votre service des incendies.

NE TENTEZ JAMAIS D'ÉTEINDRE UN FEU DE GRAISSE OU D'HUILE EN L'ASPERGEANT D'EAU.

AVERTISSEMENT : L'odorat ne permet pas toujours la détection d'une fuite de gaz.

Les distributeurs de gaz recommandent l'emploi d'un détecteur de gaz (homologation UL ou CSA).

Pour d'autre information, contacter le fournisseur de gaz local.

En cas de détection d'une fuite de gaz, exécuter les instructions "Que faire dans le cas d'une odeur de gaz".

IMPORTANTES INSTRUCTIONS DE SÉCURITÉ

AVERTISSEMENT : Pour réduire le risque d'incendie, de choc électrique, de blessures ou de dommages lors de l'utilisation de la table de cuisson, il convient d'observer certaines précautions élémentaires dont les suivantes :

■ **AVERTISSEMENT** : NE JAMAIS utiliser cet appareil comme dispositif de chauffage de la pièce. Le non-respect de cette instruction peut entraîner une intoxication au monoxyde de carbone et une surchauffe de la table de cuisson.

■ **MISE EN GARDE** – Ne pas remiser dans des armoires au-dessus de la table de cuisson, des objets que des enfants pourraient vouloir atteindre. Les enfants pourraient se blesser gravement en grim pant sur la table de cuisson.

■ Installation appropriée – La table de cuisson lorsqu'elle est correctement installée doit être reliée à la terre conformément aux codes locaux ou, en l'absence de codes locaux, selon le *Code national électrique, ANSI/NFPA70* ou le *Code canadien des installations électriques, Partie 1*. S'assurer que la table de cuisson est correctement installée et reliée à la terre par un technicien qualifié.

■ La table de cuisson est munie d'une fiche de liaison à la terre à trois broches pour votre protection contre les risques de choc électrique et doit être branchée directement dans une prise de courant bien reliée à la terre. Ne pas couper ni enlever la broche de liaison à la terre de cette fiche.

■ Débrancher l'alimentation électrique avant d'exécuter des réparations à la table de cuisson.

■ Des blessures peuvent survenir du mauvais usage de la table de cuisson tel que se tenir debout sur la surface, se pencher ou s'asseoir sur le dessus de la surface.

■ Entretien – Garder l'espace autour de la table de cuisson dégagé et exempt de matériaux combustibles, d'essence et d'autres vapeurs et liquides inflammables.

■ Remisage sur la table de cuisson – Des produits inflammables ne doivent pas être remisés sur ou près des éléments de surface.

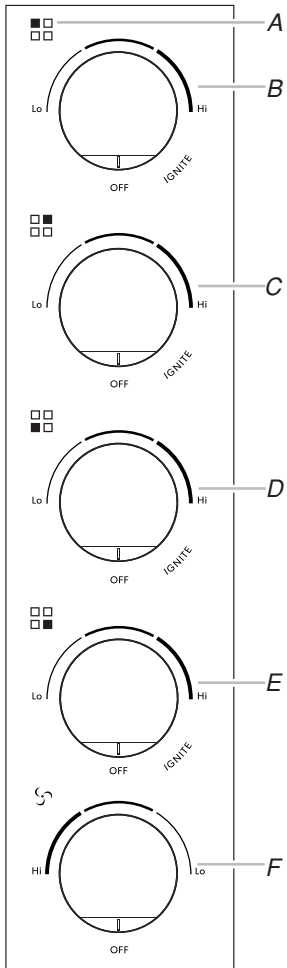
■ La taille de la flamme des brûleurs de surface devrait être ajustée de sorte qu'elle ne dépasse pas le bord d'un ustensile de cuisson.

CONSERVEZ CES INSTRUCTIONS

PIÈCES ET CARACTÉRISTIQUES

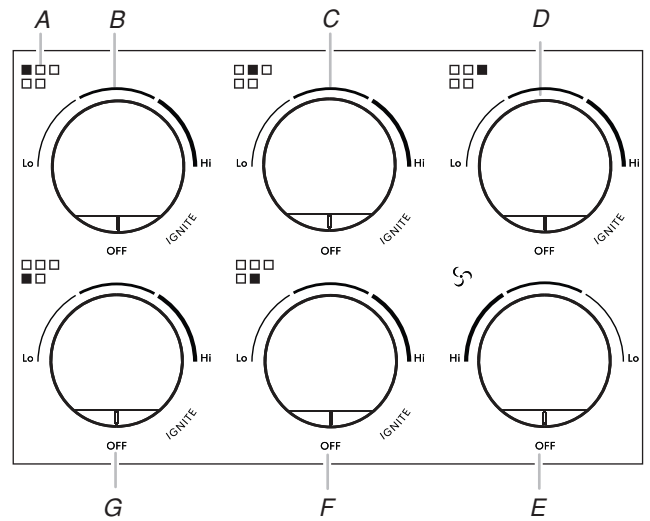
Ce manuel couvre différents modèles. La table de cuisson que vous avez achetée peut comporter tous les articles énumérés ou seulement certains d'entre eux.

Tableau de commande de 30 po (76,2 cm)



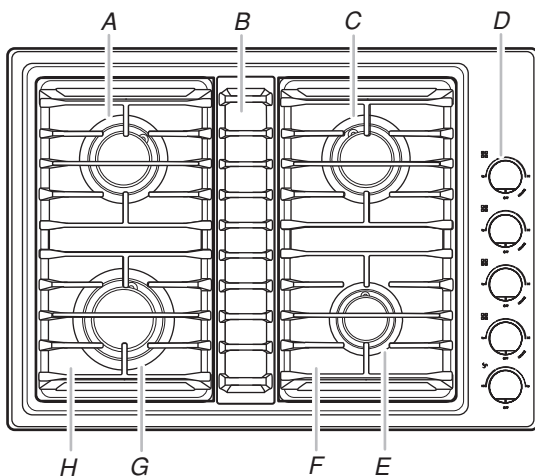
- A. Repère du brûleur de surface
- B. Bouton de commande arrière gauche
- C. Bouton de commande arrière droit
- D. Bouton de commande avant gauche
- E. Bouton de commande avant droit
- F. Bouton de commande du ventilateur d'évacuation à 3 vitesses

Table de commande de 36 po (91,4 cm)



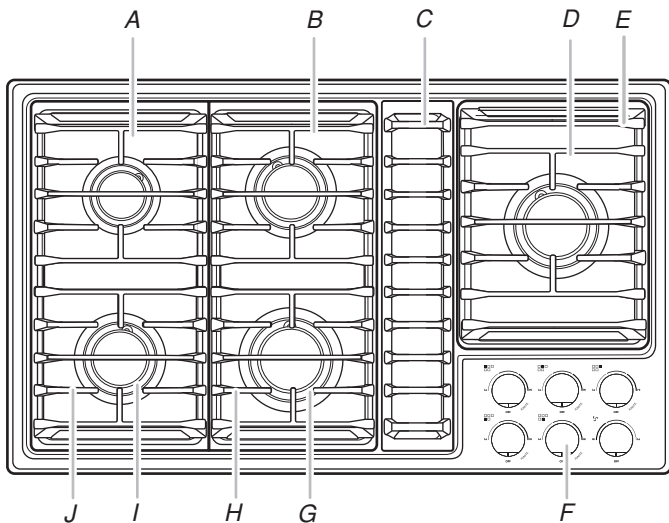
- A. Repère du brûleur de surface
- B. Bouton de commande arrière gauche
- C. Bouton de commande central arrière
- D. Bouton de commande de arrière droit
- E. Bouton de commande du ventilateur d'évacuation à 3 vitesses
- F. Bouton de commande central avant
- G. Bouton de commande avant gauche

Tableau de cuisson de 30 po (76,2 cm)



- A. Brûleur arrière gauche de 5 000 BTU/h
- B. Grille de ventilation à extraction par le bas
- C. Brûleur arrière droit de 15 000 BTU/h
- D. Tableau de commande
- E. Brûleur avant droit de 10 000 BTU/h
- F. Grille de droite
- G. Brûleur avant gauche de 17 000 BTU/h
- H. Grille de gauche.

Table de cuisson de 36 po (91,4 cm)



- A. Brûleur arrière gauche de 5 000 BTU/h
 B. Brûleur central arrière de 12 500 BTU/h
 C. Grille de ventilation à extraction par le bas
 D. Brûleur arrière droit de 17 000 BTU/h

- E. Grille de droite
 F. Tableau de commande
 G. Brûleur central avant de 15 000 BTU/h
 H. Grille centrale
 I. Brûleur avant gauche de 10 000 BTU/h
 J. Grille de gauche

Ensemble accessoire de système de filtrage sans conduit de Jennair® facultatif (Pour les modèles numéros JGD3430 et JGD3536)

Sur certains modèles à extraction par le bas, la trousse accessoire de filtration sans conduit de Jennair®, pièce numéro JDA7000WX est désormais disponible. La trousse accessoire de filtration sans conduit de Jennair® est idéale tant pour les nouvelles constructions que les projets de rénovation de cuisine car elle offre une alternative à l'installation de conduits métalliques et à la décharge de système de ventilation vers l'extérieur du domicile. Cet ensemble comprend tout le matériel nécessaire, un filtre et des instructions d'installation complètes. Voir la section "Assistance ou service" pour plus d'informations sur le processus de commande.

UTILISATION DE LA TABLE DE CUISSON

Commandes de la table de cuisson

⚠ AVERTISSEMENT



Risque d'incendie

La flamme d'un brûleur ne devrait pas dépasser le bord du récipient de cuisson.

Fermer tous les réglages lorsque la cuisson est terminée.

Le non-respect de ces instructions peut causer un décès ou un incendie.

Les allumeurs électriques allument automatiquement les brûleurs de surface lorsque les boutons de commande sont tournés à HI (élevé) et se rallument automatiquement si la flamme s'éteint.

REMARQUE : Tous les allumeurs génèrent une étincelle lors de l'allumage; cependant seul le brûleur sélectionné s'allume.

Un éventuel courant d'air peut affecter la flamme et provoquer la formation d'étincelles. Ceci est normal.

Avant de régler un bouton de commande, placer l'ustensile de cuisson rempli sur la grille. Ne pas faire fonctionner un brûleur avec un ustensile de cuisson vide ou sans ustensile de cuisson sur la grille.

Allumage des brûleurs

IMPORTANT : Tous les brûleurs émettent un cliquetis et génèrent des étincelles lorsqu'un bouton est enfoncé. Un brûleur s'allume uniquement si l'on enfonce le bouton, puis qu'on le tourne dans le sens antihoraire à la position IGNITE (allumage).

Allumage des brûleurs :

1. Pousser le bouton.
2. Tourner le bouton dans le sens antihoraire à la position (allumage). Attendre jusqu'à ce que l'on voie une flamme.
3. Tourner le bouton au réglage désiré, sur n'importe quelle position entre HI (élevé) et LO (bas).

Réglage	Utilisation recommandée
HI (élevé)	<ul style="list-style-type: none"> ■ Pour commencer la cuisson des aliments. ■ Pour porter un liquide à ébullition. ■ Pour maintenir une ébullition rapide. ■ Pour brunir ou saisir rapidement les aliments. ■ Pour faire frire du poulet.
Medium (moyen) Entre HI et LO	<ul style="list-style-type: none"> ■ Pour maintenir une ébullition lente. ■ Pour faire frire ou sauter les ■ Pour cuire les soupes et les sauces. ■ Pour faire mijoter ou étuver les aliments.
LO (bas)	<ul style="list-style-type: none"> ■ Pour faire mijoter lentement. ■ Pour garder les aliments au chaud.

N'OUBLIEZ PAS : Quand l'appareil est utilisé, toute la surface de la table de cuisson peut devenir chaude.

Panne de courant

En cas de panne de courant prolongée, les brûleurs de surface peuvent être allumés manuellement. Tenir une allumette allumée près d'un brûleur et tourner le bouton dans le sens antihoraire à élevé. Une fois le brûleur allumé, tourner le bouton au réglage. Le ventilateur d'évacuation ne fonctionnera pas.

REMARQUE : Le système de ventilation avec aspiration par le bas ne fonctionne pas durant une panne de courant.

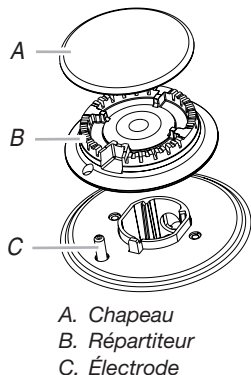
Rallumage Flame-Sensing™

Cette table de cuisson comporte des brûleurs à gaz scellés avec rallumage Flame-Sensing™. Si une flamme de brûleur s'éteint, le système génère automatiquement une étincelle pour rallumer le brûleur (tous les allumeurs génèrent une étincelle lorsqu'une flamme s'éteint; cependant seul le brûleur concerné pourra se rallumer). Si l'on observe l'apparition intermittente d'étincelles, augmenter la flamme (tourner le bouton dans le sens horaire) jusqu'à ce que le cliquetis (correspondant à la production de l'étincelle) cesse.

Système de brûleur à orifice intelligent

Cette table de cuisson est équipée d'un système de brûleur à orifice intelligent. Ce système produit une petite flamme sous les doigts de la grille et une flamme plus longue entre ces doigts. La différence entre ces orifices est visuellement repérable lorsque le brûleur est allumé ou lors du réglage de la longueur des flammes.

Brûleurs de surface scellés



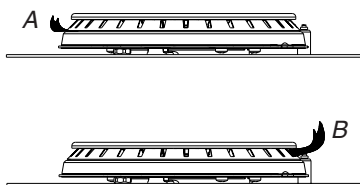
IMPORTANT : Ne pas entraver l'évacuation de l'air de combustion et de ventilation autour des bords des grilles de brûleur.

Chapeau de brûleur : Toujours garder le chapeau et la tête de brûleur en place lorsqu'on utilise un brûleur de surface. Un chapeau et une tête de brûleur propres empêchent le mauvais allumage et des flammes inégales. Toujours nettoyer le chapeau du brûleur après un renversement; enlever et nettoyer régulièrement les chapeaux comme indiqué à la section "Nettoyage général".

Chaque base de brûleur rond est marquée de lettres indiquant la taille du brûleur.

Alignement : S'assurer d'aligner l'ouverture du tube d'arrivée de gaz de la base du brûleur avec le porte-gicleur situé sur la cuisinière et d'aligner également l'électrode d'allumage avec l'encoche de la base du brûleur.

Ouverture du tube d'arrivée de gaz : Pour que la flamme s'allume convenablement, il faut que le gaz puisse passer librement à travers l'orifice. Garder cette zone propre et ne pas laisser les produits renversés, les aliments, les agents de nettoyage ou tout autre produit pénétrer dans l'ouverture du tube d'arrivée de gaz. Protéger le tube d'arrivée de gaz contre les renversements en utilisant toujours un chapeau de brûleur.

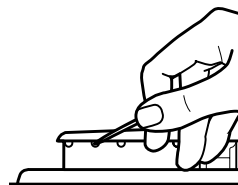


Orifices de brûleur : Examiner occasionnellement les flammes des brûleurs pour en vérifier la taille et la forme comme indiqué dans l'illustration précédente. Une bonne flamme est bleue plutôt que jaune. Garder cette zone propre et ne pas laisser les produits renversés, les aliments, les agents de nettoyage ou tout autre produit pénétrer dans les orifices de brûleur.

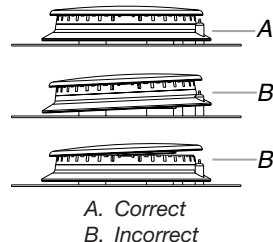
Nettoyage :

IMPORTANT : Avant le nettoyage, s'assurer que toutes les commandes sont désactivées et que la table de cuisson est froide. Ne pas utiliser de nettoyeurs à four, d'agent de blanchiment ou de décapants à rouille.

1. Enlever le chapeau de brûleur de la base du brûleur et nettoyer tel qu'indiqué à la section "Nettoyage général".
2. Nettoyer l'ouverture du tube d'arrivée de gaz avec un chiffon humide.
3. Nettoyer les orifices de brûleur obstrués avec une épingle droite tel qu'indiqué. Ne pas agrandir ni déformer l'orifice. Ne pas utiliser un cure-dents en bois. Si le brûleur a besoin d'être ajusté, contacter un technicien de réparation qualifié.



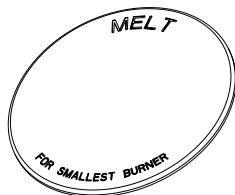
4. Réinstaller le chapeau du brûleur et s'assurer que les tiges d'alignement sont bien alignées avec le chapeau du brûleur. Chaque chapeau de brûleur rond est marqué de lettres indiquant la taille du brûleur. Placer les chapeaux de brûleur sur les bases de brûleur correspondantes.



5. Allumer le brûleur. Si le brûleur ne s'allume pas, vérifier l'emplacement du chapeau de brûleur, ainsi que l'alignement du chapeau et de la base du brûleur. Si le brûleur ne s'allume toujours pas, ne pas réparer vous-même le brûleur scellé. Contacter un technicien de réparation qualifié.

Chapeau pour faire fondre

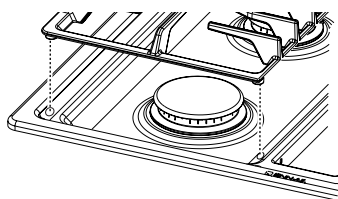
Le chapeau pour faire fondre peut être utilisé à la place du chapeau de brûleur standard pour faire fondre le chocolat ou le beurre, ou pour un mijotage à température encore plus basse. Le chapeau pour faire fondre doit être utilisé uniquement sur le petit brûleur (arrière droit). Retirer le petit chapeau de brûleur et le remplacer par le chapeau plus grand pour faire fondre et pour un mijotage à basse température. Pour un mijotage à plus haute température, utiliser le petit chapeau.



Grilles de surface

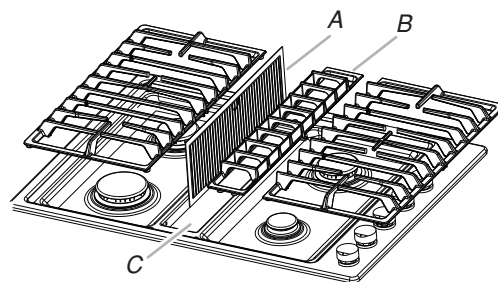
Les grilles doivent être correctement positionnées avant la cuisson. Les grilles doivent être en affleurement et de niveau pour être en bonne position. Une mauvaise installation des grilles peut entraîner l'écaillage ou l'érafflement de la table de cuisson.

Afin de les positionner correctement, aligner les butoirs souples au-dessous de la grille avec les indentations sur la table de cuisson. Voir les illustrations de la table de cuisson dans la section "Pièces et caractéristiques" pour le positionnement correct de la grille.



Bien que les grilles de brûleurs soient durables, elles perdront progressivement de leur lustre et(ou) se décoloreront en raison des fortes températures produites par les flammes.

Système de ventilation avec aspiration par le bas JX3™



- A. Filtre à graisse amovible
- B. Grille du système d'aspiration par le bas
- C. Plateau de soutien du filtre (non amovible)

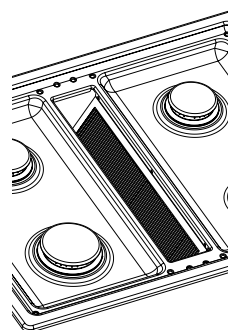
Le système de ventilation incorporé à aspiration par le bas élimine les vapeurs, les odeurs et la fumée de cuisson des aliments préparés sur la table de cuisson.

IMPORTANT : Pour un rendement optimal, faire fonctionner le système de ventilation avec aspiration par le bas lorsque le filtre est correctement installé.

Afin d'éviter une accumulation de graisse, le filtre doit être nettoyé souvent.

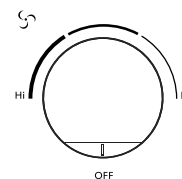
Le filtre doit toujours être placé en angle. Lorsque l'on se place face à la table de cuisson, le sommet du filtre doit reposer contre le côté droit de l'ouverture d'aération. Le fond du filtre doit reposer contre le côté gauche de la chambre d'évacuation, au fond de celle-ci.

Si le filtre est à plat contre la paroi du ventilateur, l'efficacité du système de ventilation sera réduite.



Utilisation :

Tourner le bouton de ventilateur d'évacuation à LO (bas), HI (élevé) ou au réglage intermédiaire entre Hi et Low correspondant au niveau Moyen. Tourner le bouton du ventilateur d'évacuation à la position OFF (arrêt) une fois la cuisson terminée, ou lorsqu'on n'utilise pas la table de cuisson.



Préparation de conserves à la maison

Lors de la préparation de conserves pendant de longues périodes, alterner l'utilisation des brûleurs de surface entre les quantités préparées. Cette alternance permet aux dernières surfaces utilisées de refroidir.

- Centrer l'autoclave sur la grille au-dessus du brûleur.
 - Ne pas placer l'autoclave sur deux brûleurs de surface à la fois.
 - Pour plus de renseignements, communiquez avec votre service local d'agriculture. Les compagnies qui fabriquent des produits pour la préparation de conserves peuvent aussi offrir de l'aide.
-

Ustensiles de cuisson

IMPORTANT : Ne pas laisser un ustensile de cuisson vide sur la surface chaude d'une zone de cuisson, d'un élément ou d'un brûleur de surface.

Les ustensiles de cuisson idéals doivent avoir un fond plat, des parois droites, un couvercle qui ferme bien et le matériau doit être d'épaisseur moyenne à forte.

Les finis rugueux peuvent érafler la table de cuisson ou les grilles. L'aluminium et le cuivre peuvent être employés comme fond ou base d'un ustensile de cuisson. Cependant, utilisés comme base, ils peuvent laisser des marques permanentes sur la table de cuisson ou les grilles.

Le matériau d'un ustensile de cuisson affecte la rapidité et l'uniformité de la transmission de la chaleur, et affecte les résultats de cuisson. Un fini antiadhésif a les mêmes caractéristiques que son matériau de base.

Par exemple, un ustensile de cuisson en aluminium avec un fini antiadhésif aura les propriétés de l'aluminium.

Utiliser le tableau suivant comme guide pour les caractéristiques du matériau de l'ustensile de cuisson.

Ustensiles	Caractéristiques
Aluminium	<ul style="list-style-type: none">■ Chauffe rapidement et uniformément.■ Convient à tous les genres de cuisson.■ L'épaisseur moyenne ou forte convient le mieux pour la plupart des tâches de cuisson.
Fonte	<ul style="list-style-type: none">■ Chauffe lentement et uniformément.■ Convient pour le brunissage et la friture.■ Maintient la chaleur pour une cuisson lente.
Céramique ou vitrocéramique	<ul style="list-style-type: none">■ Suivre les instructions du fabricant.■ Chauffe lentement mais inégalement.■ Les meilleurs résultats sont obtenus aux réglages de chaleur basse à moyenne.
Cuivre	<ul style="list-style-type: none">■ Chauffe très rapidement et uniformément.
Terre cuite	<ul style="list-style-type: none">■ Suivre les instructions du fabricant.■ Utiliser des réglages de température basse.
Acier émaillé en porcelaine ou fonte émaillée	<ul style="list-style-type: none">■ Voir acier inoxydable ou fonte.
Acier inoxydable	<ul style="list-style-type: none">■ Chauffe rapidement, mais inégalement.■ Un fond ou une base d'aluminium ou de cuivre sur l'acier inoxydable procure un chauffage uniforme.

ENTRETIEN DE LA TABLE DE CUISSON

Nettoyage général

IMPORTANT : Avant le nettoyage, s'assurer que toutes les commandes sont désactivées et que la table de cuisson a refroidi. Toujours suivre les instructions sur les étiquettes des produits de nettoyage.

Du savon, de l'eau et un chiffon doux ou une éponge sont recommandés à moins d'indication contraire.

SURFACES EXTERNES EN ÉMAIL VITRIFIÉ (sur certains modèles)

Les renversements d'aliments contenant des produits acides, tels que vinaigre et tomates, doivent être nettoyés dès que l'appareil est refroidi. Ces renversements peuvent affecter le fini.

Méthode de nettoyage :

- Nettoyant à vitre, nettoyant doux liquide ou tampon à récurer non abrasif
- Nettoyant affresh® pour cuisine et appareils ménagers - Pièce numéro W10355010 (non inclus) :
Voir la section "Assistance ou service" pour placer une commande.

CUISSON EN ACIER INOXYDABLE

Afin d'éviter d'endommager les surfaces en acier inoxydable, ne pas utiliser de tampons de récurage savonneux, nettoyants abrasifs, nettoyants pour table de cuisson, tampons en laine d'acier, chiffons de lavage rudes ou certains essuie-tout.

Pour de meilleurs résultats, utiliser un chiffon doux ou une éponge non grattante.

Frotter dans la direction du grain pour éviter les dommages.

Méthode de nettoyage :

- Nettoyant affresh® pour acier inoxydable – Pièce n° W10355016 (non inclus) :
Voir la section "Assistance ou service" pour placer une commande.
- Nettoyant tout-usage :
Rincer à l'eau propre et sécher avec un chiffon doux sans charpie.
- Vinaigre pour les taches d'eau dure

COMMANDES DE LA TABLE DE CUISSON

Afin d'éviter d'endommager les commandes de la table de cuisson, ne pas utiliser de laine d'acier, de produits de nettoyage abrasifs ou de nettoyant pour four.

Afin d'éviter tout dommage, ne pas immerger les boutons de commande.

Lors de la réinstallation des boutons, s'assurer que chaque bouton est à la position Off (arrêt).

Sur certains modèles, ne pas enlever les joints sous les boutons.

Méthode de nettoyage :

- Savon et eau :
Tirer les boutons directement hors du tableau de commande pour les enlever.

GRILLES ET CHAPEAUX ÉMAILLÉS

Les renversements d'aliments contenant des produits acides, tels que vinaigre et tomates, doivent être nettoyés dès que la table de cuisson, les grilles et les chapeaux ont refroidi. Ces renversements peuvent affecter le fini.

Pour éviter l'écaillage, ne pas entrechoquer les grilles et les chapeaux ni les frapper contre des surfaces dures telles que les ustensiles en fonte.

Ne pas réinstaller les chapeaux sur les brûleurs quand ils sont mouillés.

Méthode de nettoyage :

- Tampon à récurer en plastique non abrasif et un nettoyant légèrement abrasif :
Nettoyer dès que la table de cuisson, les grilles et les chapeaux ont refroidi.
- Lave-vaisselle (grilles seulement, pas les chapeaux) :
Utiliser le programme le plus intensif.
- Nettoyant pour la grille et cuvette à gaz - Pièce n° 31617B (non inclus) :
Voir la section "Assistance ou service" pour placer une commande.

BRÛLEURS DE SURFACE ET ALLUMEUR ÉLECTRONIQUE

Brûleurs de surface

Voir la section "Brûleurs de surface scellés".

Allumeur électronique

Méthode de nettoyage :

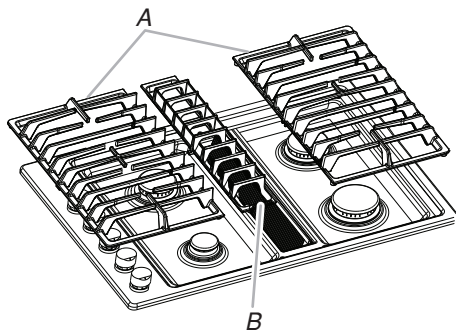
- Nettoyer le pivot de céramique avec un coton tige :
Nettoyant affresh® pour cuisine et appareils ménagers -
Pièce numéro W10355010 (non inclus) :
Voir la section "Assistance ou service" pour placer
une commande.

SYSTÈME DE VENTILATION AVEC ASPIRATION PAR LE BAS

Grille de ventilation

Méthode de nettoyage :

- Soulever la grille de ventilation.



A. Grilles de brûleur
B. Grille de ventilation

- Essuyer ou laver dans un évier :
Ustensile de récurage en plastique non abrasif et nettoyant
légèrement abrasif.
- Lave-vaisselle :
Utiliser un détergent doux.

Filtre à graisse amovible

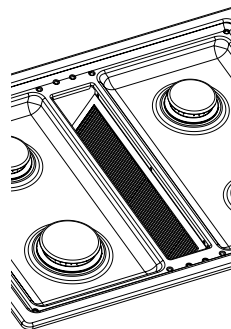
Le filtre correspond à un filtre permanent et doit être nettoyé lorsqu'il est sale.

Méthode de nettoyage :

- Éteindre le système de ventilation avec aspiration par le bas avant de retirer le filtre.
- Retirer les grilles de brûleur, dégager la grille de ventilation et dégager le filtre de la chambre d'évacuation en le soulevant.
- Nettoyer le filtre à l'eau tiède et au détergent dans l'évier ou au panier supérieur du lave-vaisselle.
- Réinstaller le filtre.

Le filtre doit toujours être placé en angle. Lorsque l'on se place face à la table de cuisson, le sommet du filtre doit reposer contre le côté droit de l'ouverture d'aération. Le fond du filtre doit reposer contre le côté gauche de la chambre d'évacuation, au fond de celle-ci.

Si le filtre est à plat contre la paroi du ventilateur, l'efficacité du système de ventilation sera réduite.



Chambre d'évacuation

La chambre d'évacuation dans laquelle est logé le filtre doit être nettoyée régulièrement en cas de renversement ou si elle est recouverte d'une pellicule grasseuse.

Méthode de nettoyage :

- Détergent ou nettoyant doux pour usage domestique et essuie-tout, chiffon ou éponge humide :
Appliquer le détergent ou nettoyant sur l'essuie-tout, le chiffon ou l'éponge humide et non pas directement sur la chambre d'évacuation.

Filtre de rechange pour système de filtrage sans conduit de Jennair® facultatif

La cartouche du filtre de rechange pour système de filtrage sans conduit de Jennair®, pièce numéro JDA8000WX, est conçue pour durer pendant 6 mois de fonctionnement normal. La cartouche de filtre n'est pas conçue pour être nettoyée ni réutilisée et doit être remplacée par le TimeStrip®. Le rendement du système d'extraction par le bas sera réduit si le filtre n'est pas changé lorsque le TimeStrip® le recommande. Voir la section "Assistance ou service" pour plus d'informations sur le processus de commande.

DÉPANNAGE

Essayez d'abord les solutions suggérées ici. Pour obtenir de l'aide ou des conseils qui permettront peut-être d'éviter une intervention de dépannage, consulter la "garantie", ou visiter le site Web producthelp.jennair.com. Au Canada, visiter le site Internet <http://www.jennair.ca>. Vous pouvez adresser tous commentaires ou questions par courrier à l'adresse ci-dessous.

Aux É.-U. :

Jennair Brand Home Appliances
Customer eXperience Center
553 Benson Road
Benton Harbor, MI 49022-2692

Au Canada :

Jennair Brand Home Appliances
Customer eXperience Centre
200 - 6750 Century Ave.
Mississauga, Ontario L5N 0B7

Dans votre correspondance, veuillez indiquer un numéro de téléphone où l'on peut vous joindre dans la journée.

⚠ AVERTISSEMENT



Risque de choc électrique

Brancher sur une prise à 3 alvéoles reliée à la terre.

Ne pas enlever la broche de liaison à la terre.

Ne pas utiliser un adaptateur.

Ne pas utiliser un câble de rallonge.

Le non-respect de ces instructions peut causer un décès, un incendie ou un choc électrique.

Problème	Causes et solutions possibles
Rien ne fonctionne	Un fusible est grillé ou un disjoncteur est déclenché : Remplacer le fusible ou réarmer le disjoncteur. If the problem continues, call an electrician. Le cordon d'alimentation électrique est débranché : Brancher sur une prise de courant à 3 alvéoles, reliée à la terre.
Les brûleurs de surface ne fonctionnent pas	la première fois que les brûleurs de surface sont utilisés : Allumer n'importe quel brûleur de surface pour libérer l'air des canalisations de gaz. Le bouton de commande est mal réglé : Enfoncer le bouton avant de le tourner à un réglage. Les orifices du brûleur sont obstrués : Voir la section "Brûleurs de surface scellés".
Les flammes des brûleurs de surface ne sont pas uniformes, sont de teinte jaune et/ou sont bruyantes	Les orifices du brûleur sont obstrués : Voir la section "Brûleurs de surface scellés". Les chapeaux et têtes de brûleurs sont mal positionnés - Voir la section "Brûleurs de surface scellés". Du gaz propane est utilisé : La table de cuisson a peut-être été mal converti. Contacter un technicien de service.
Le brûleur de surface émet des bruits d'éclatement	Le brûleur est mouillé : Laisser sécher.
Génération constante d'étincelles par l'allumeur	La flamme est écartée de l'allumeur par un courant d'air - Ceci est normal en présence d'un courant d'air. Le cordon d'alimentation n'est pas bien mis à la terre/polarisé - Voir les instructions d'installation. Les chapeaux et têtes de brûleurs sont mal positionnés - Voir la section "Brûleurs de surface scellés".
Chaleur excessive autour des ustensiles de cuisson sur la table de cuisson	Les ustensiles de cuisson n'ont pas la bonne taille : Utiliser un ustensile de cuisson à peu près de la même dimension que la surface de cuisson, de l'élément ou du brûleur de surface. L'ustensile de cuisson ne doit pas dépasser de plus de 1/2 po (1,3 cm) hors de la zone de cuisson.
La cuisson ne produit pas les résultats escomptés	Le bon ustensile de cuisson n'est pas utilisé : Consulter la section "Plats de cuisson". Le bouton de commande est réglé au niveau approprié de chaleur : Consulter la section "Commandes de la table de cuisson". La table de cuisson n'est pas d'aplomb : Nivelier la table de cuisson. Consulter les instructions d'installation.

ASSISTANCE OU SERVICE

Si vous avez besoin de service

Consulter la page de garantie.

Si vous avez besoin de pièces de rechange

Si vous avez besoin de commander des pièces de rechange, nous vous recommandons d'utiliser seulement des pièces spécifiées par l'usine. Les pièces de rechange spécifiées par l'usine fonctionneront bien parce qu'elles sont fabriquées selon la même précision que celle utilisée pour fabriquer chaque nouvel appareil Jennair®.

Pour savoir où trouver des pièces spécifiées par l'usine dans votre région, nous appelons ou contacter le centre de service désigné Jennair le plus proche.

Aux É.-U.

Téléphoner sans frais au Centre pour l'eXpérience de la clientèle au : **1-800-JENNAIR (1-800-536-6247)**

Nos consultants peuvent vous aider sur les points suivants :

- Caractéristiques et spécifications de notre gamme complète d'appareils ménagers.
- Renseignements sur l'installation.
- Procédés d'utilisation et d'entretien.
- Vente de pièces de rechange.
- Assistance spécialisée au client (langue espagnole, malentendants, malvoyants, etc.).
- Orientation vers des concessionnaires, compagnies de service de réparation et distributeurs de pièces de rechange locaux. Les techniciens de service spécialisés en appareils ménagers Jennair® sont formés pour remplir la garantie des produits et fournir un service après garantie partout aux États-Unis.

Pour localiser une compagnie de service désignée par la gamme des appareils électroménagers Jennair® dans votre région, vous pouvez également consulter les Pages jaunes.

Pour plus d'assistance

Si vous avez besoin de plus d'assistance, vous pouvez soumettre par écrit toute question ou préoccupation à l'adresse suivante :

Jennair Brand Home Appliances
Customer eXperience Center
553 Benson Road
Benton Harbor, MI 49022-2692

Veillez indiquer dans votre correspondance un numéro de téléphone où l'on peut vous joindre dans la journée.

Au Canada

Téléphoner sans frais au Centre pour l'eXpérience de la clientèle au : **1-800-JENNAIR (1-800-536-6247)**

Nos consultants fournissent de l'assistance pour :

- Procédures d'utilisation et d'entretien.
- Vente de pièces de rechange.
- Orientation vers des concessionnaires, compagnies de service de réparation et distributeurs de pièces de rechange locaux. Les techniciens de service désignés par Jennair sont formés pour remplir la garantie du produit et fournir un service après la garantie, partout au Canada.

Pour plus d'assistance :

Si vous avez besoin de plus d'assistance, vous pouvez écrire à :

Jennair Brand Home Appliances
Customer eXperience Centre
200 - 6750 Century Ave.
Mississauga, ON L5N 0B7

Veillez indiquer dans votre correspondance un numéro de téléphone où l'on peut vous joindre dans la journée.

Accessoires

Pour les accessoires, consulter notre site Web www.jennair.com.

Nettoyant affresh® pour acier inoxydable

(modèles en acier inoxydable)

Commander la pièce n° W10355016

Nettoyant affresh® pour cuisine et appareils ménagers

Commander la pièce numéro W10355010

REMARQUES

REMARQUES

REMARQUES