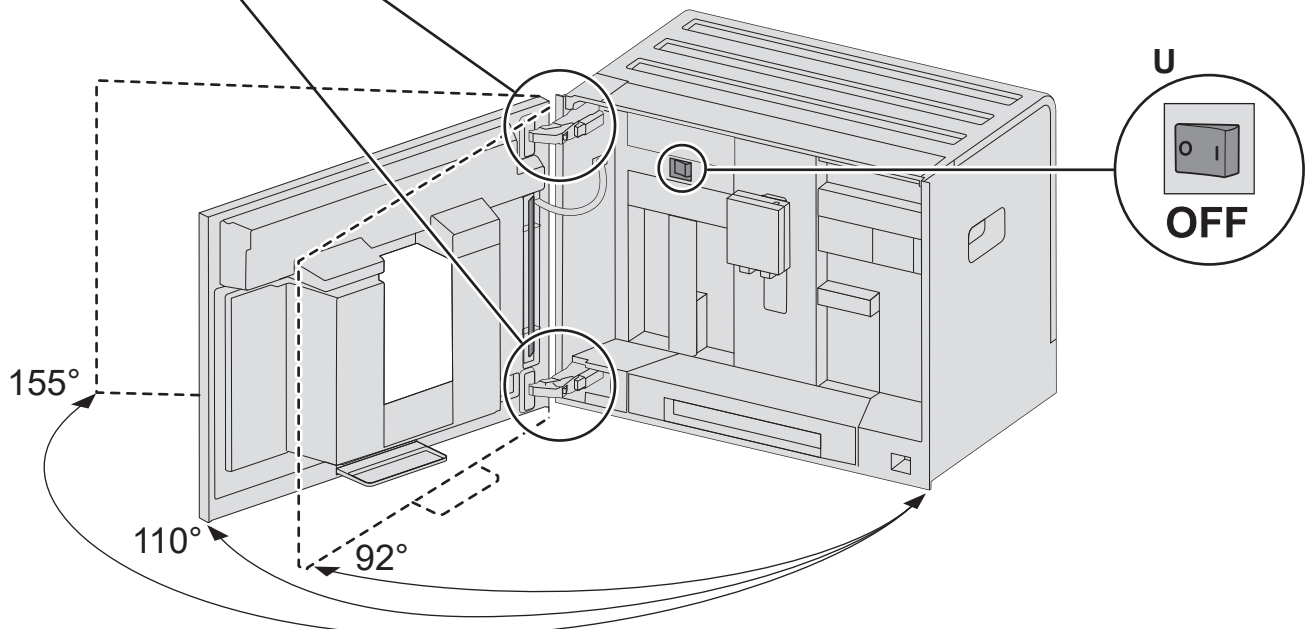
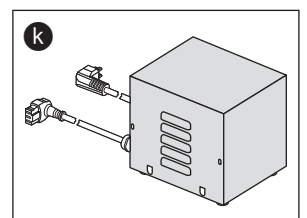
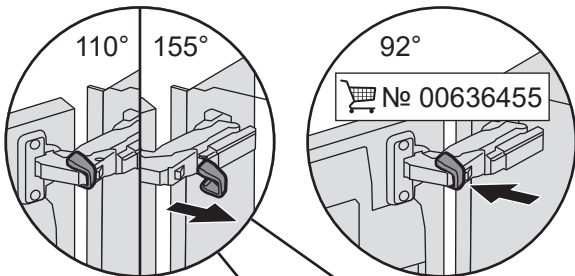
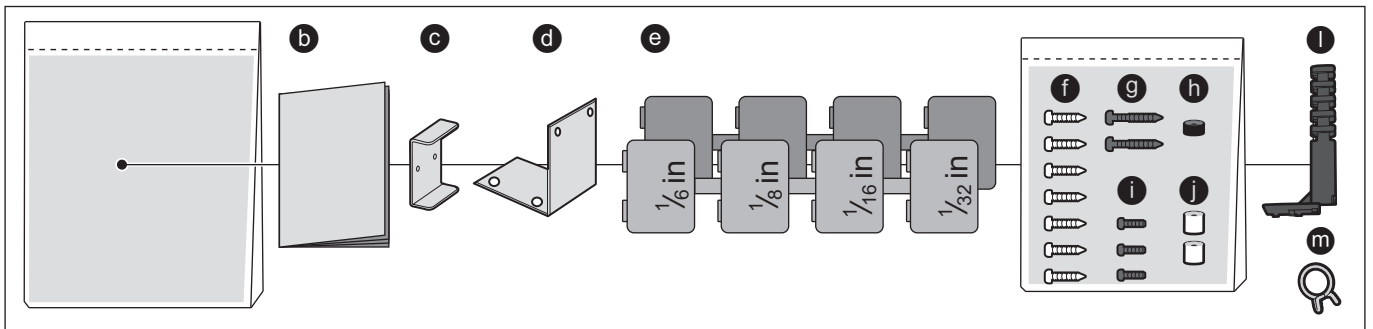
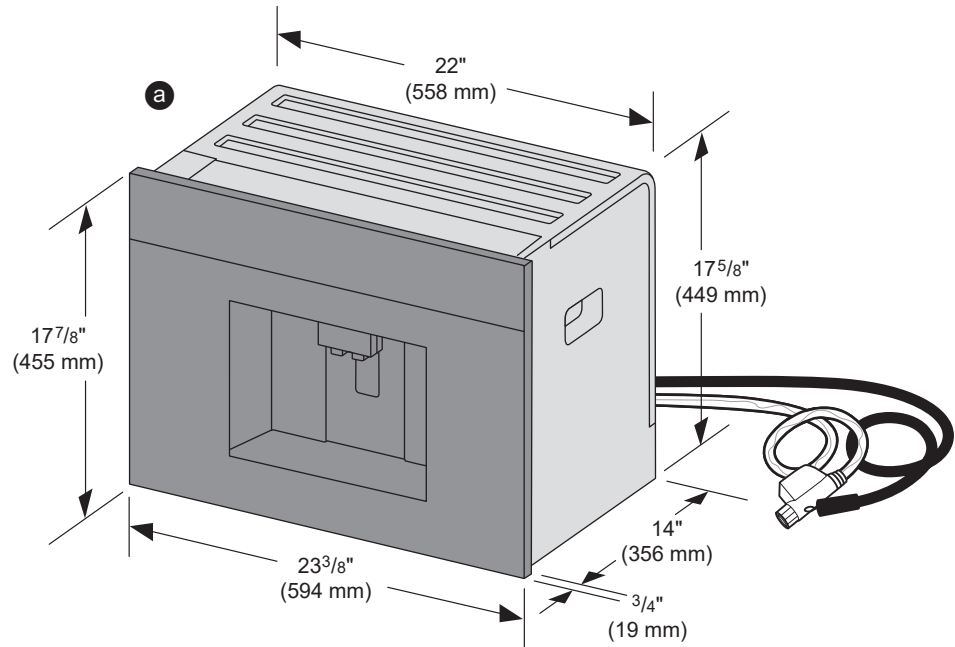


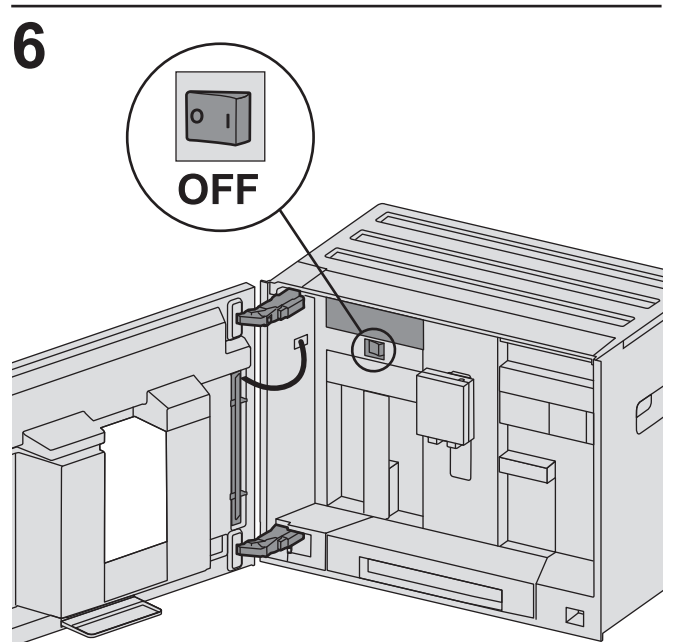
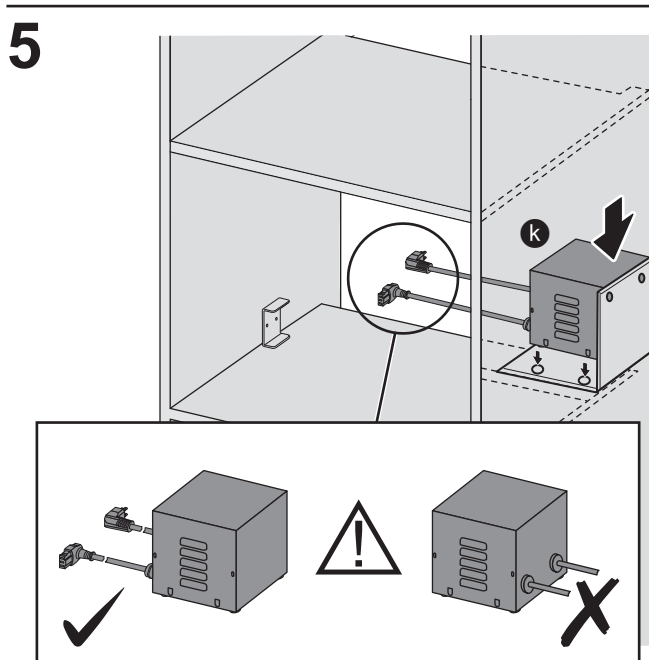
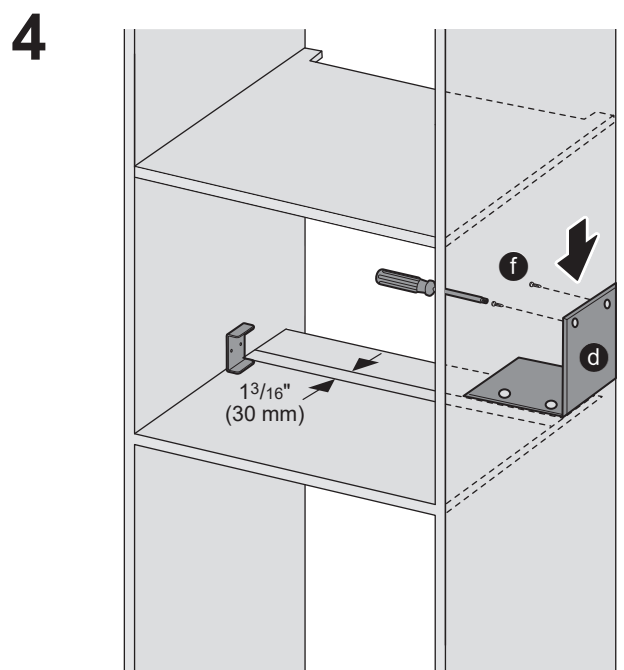
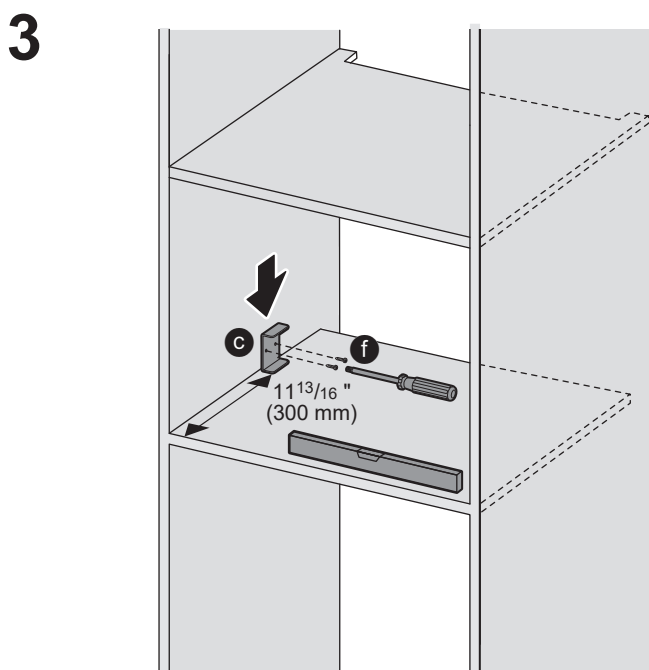
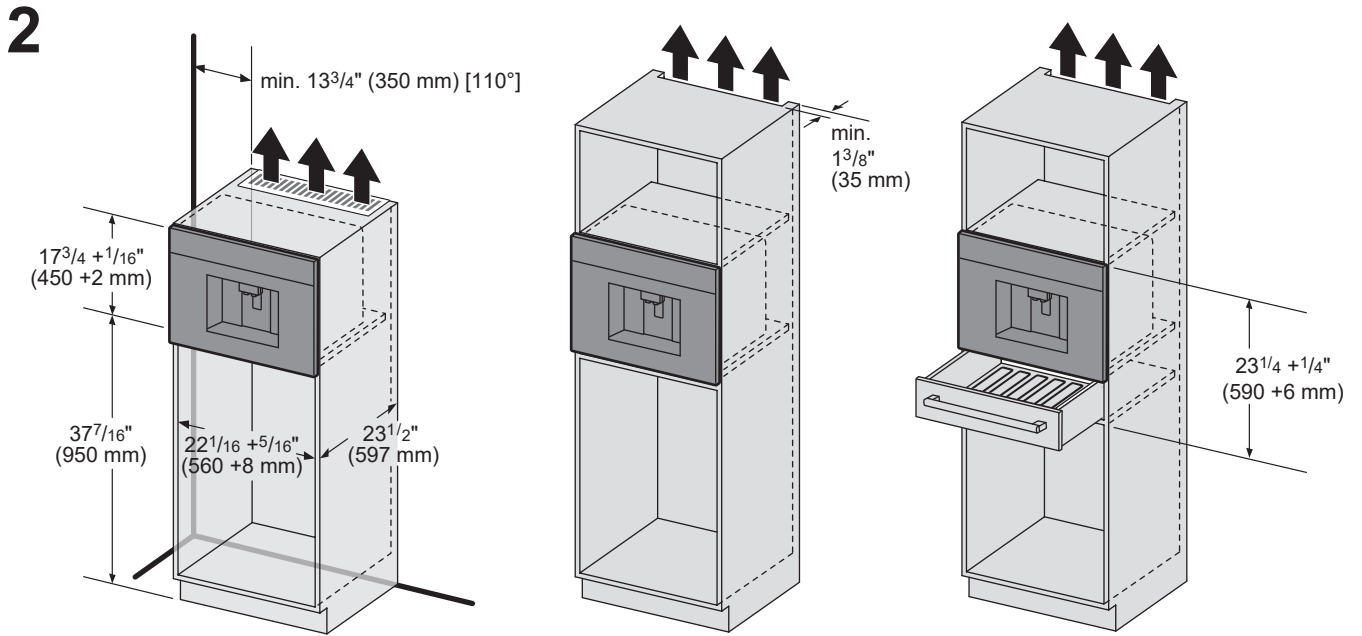
INSTALLATION INSTRUCTIONS



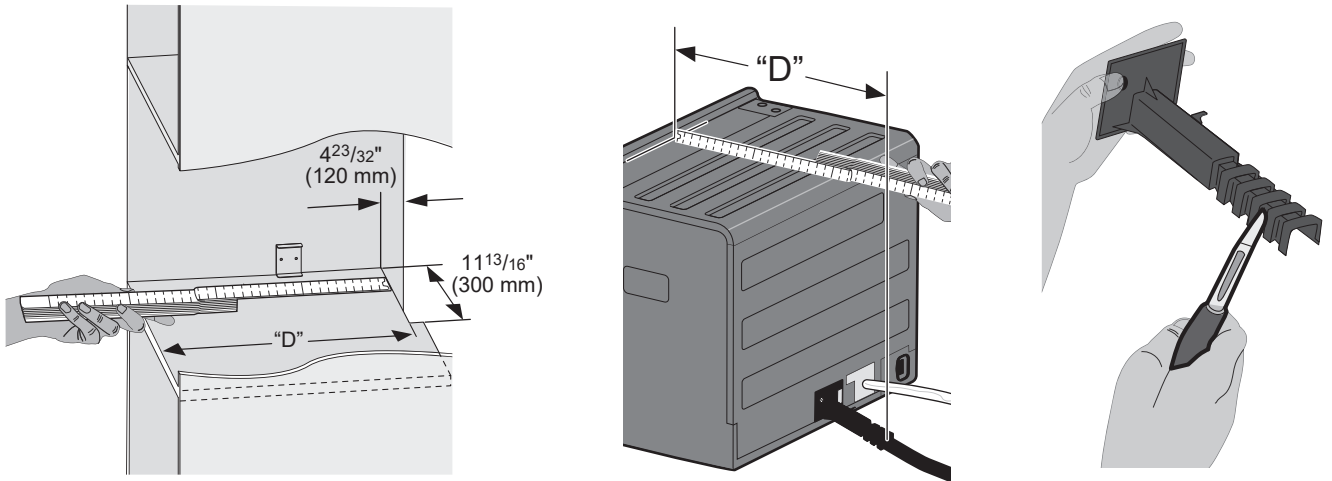
BUILT-IN COFFEE MACHINE
TCM24PS

1

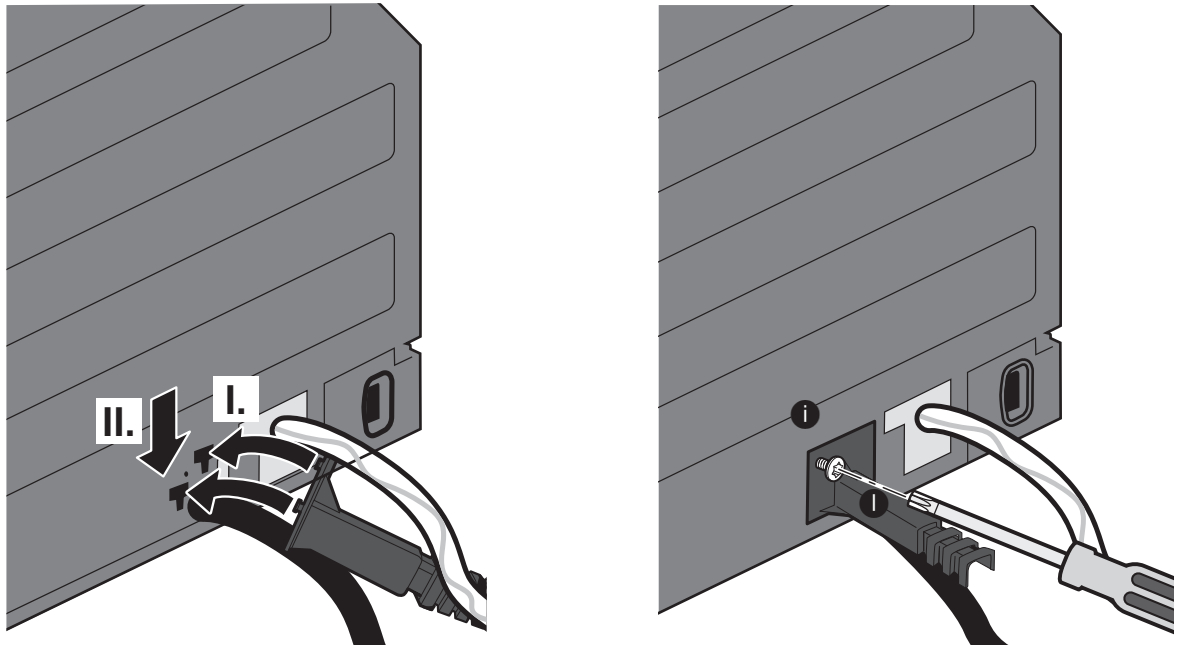




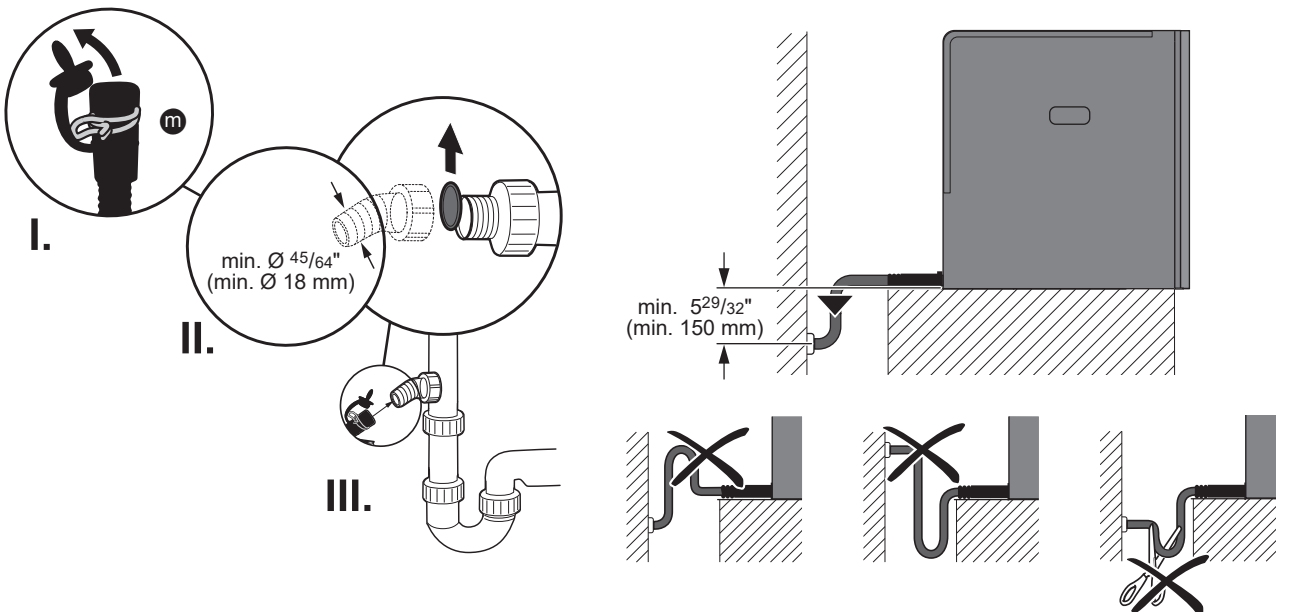
7



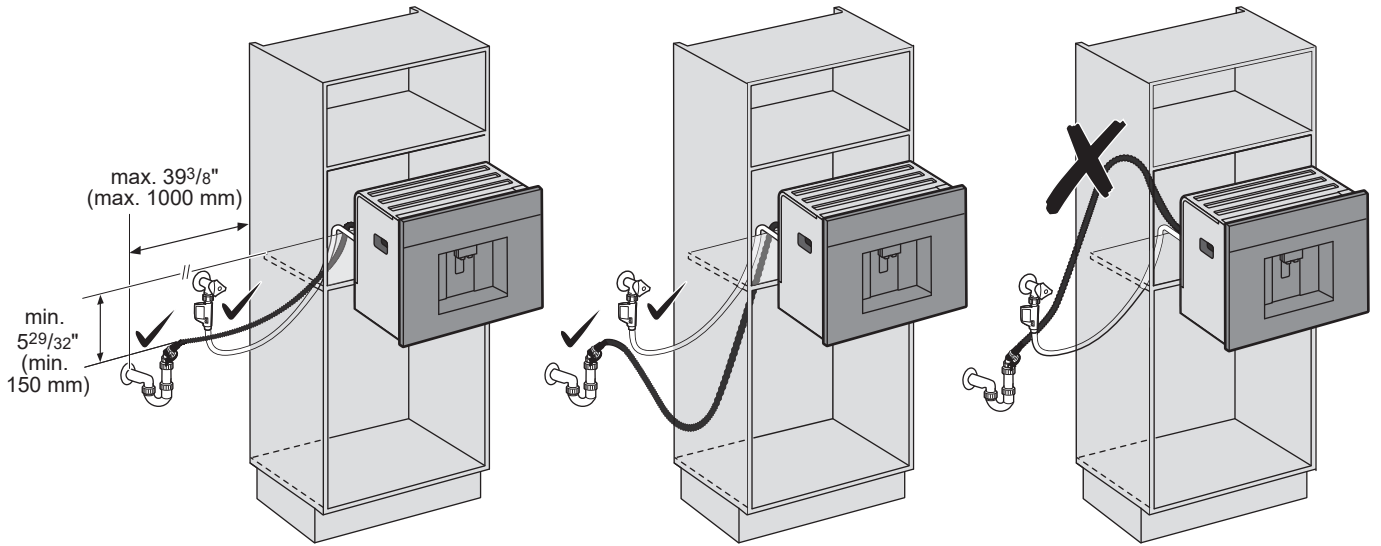
8



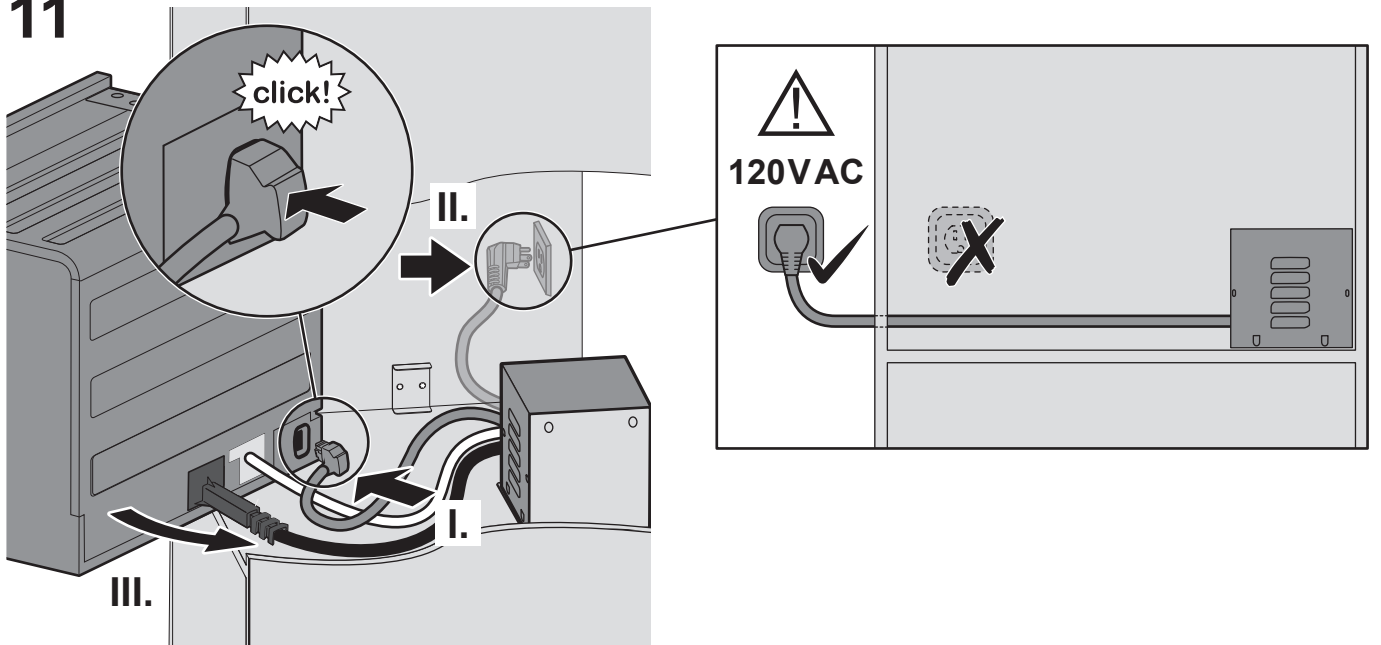
9



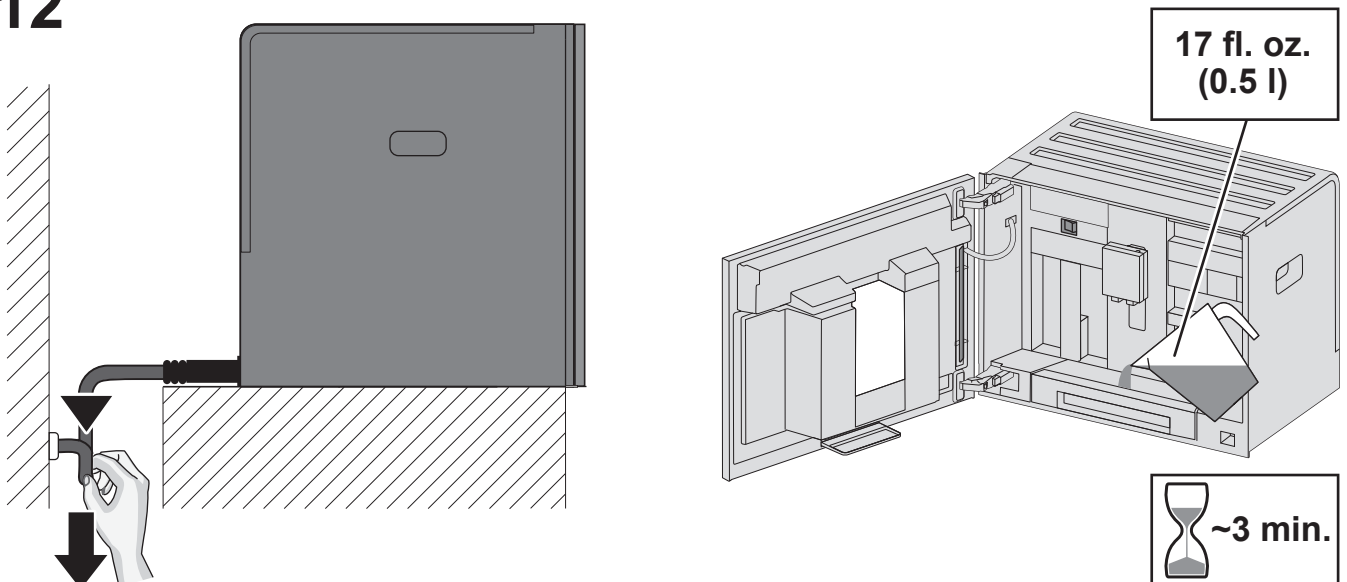
10



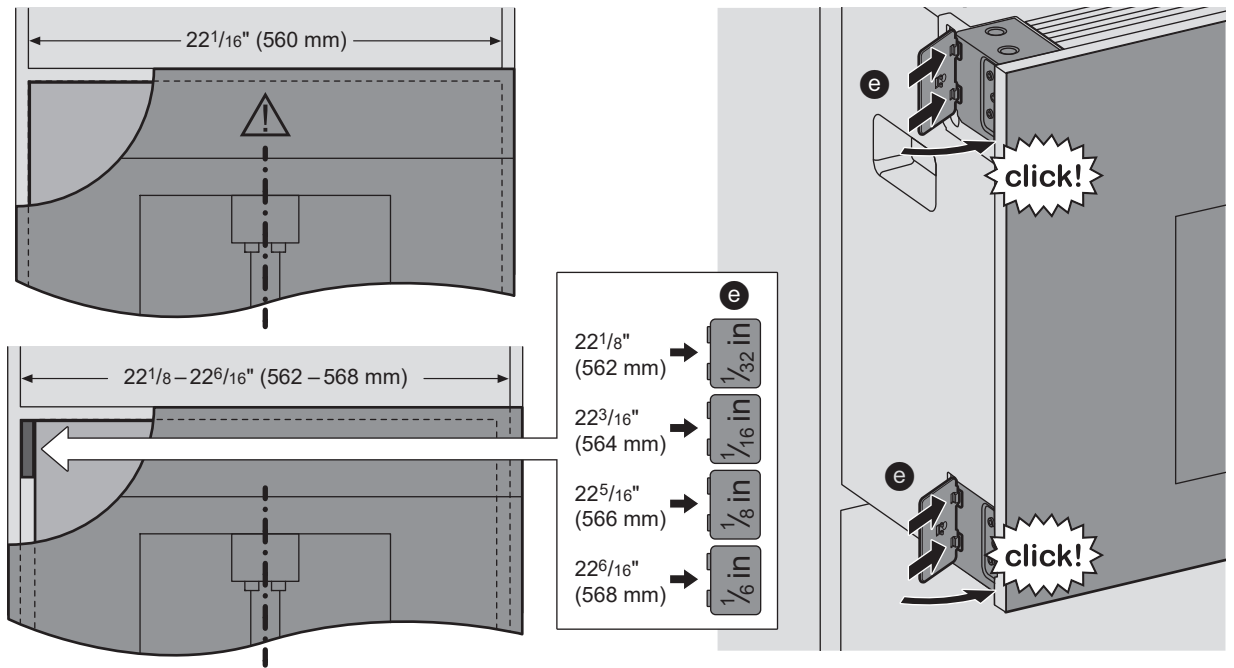
11



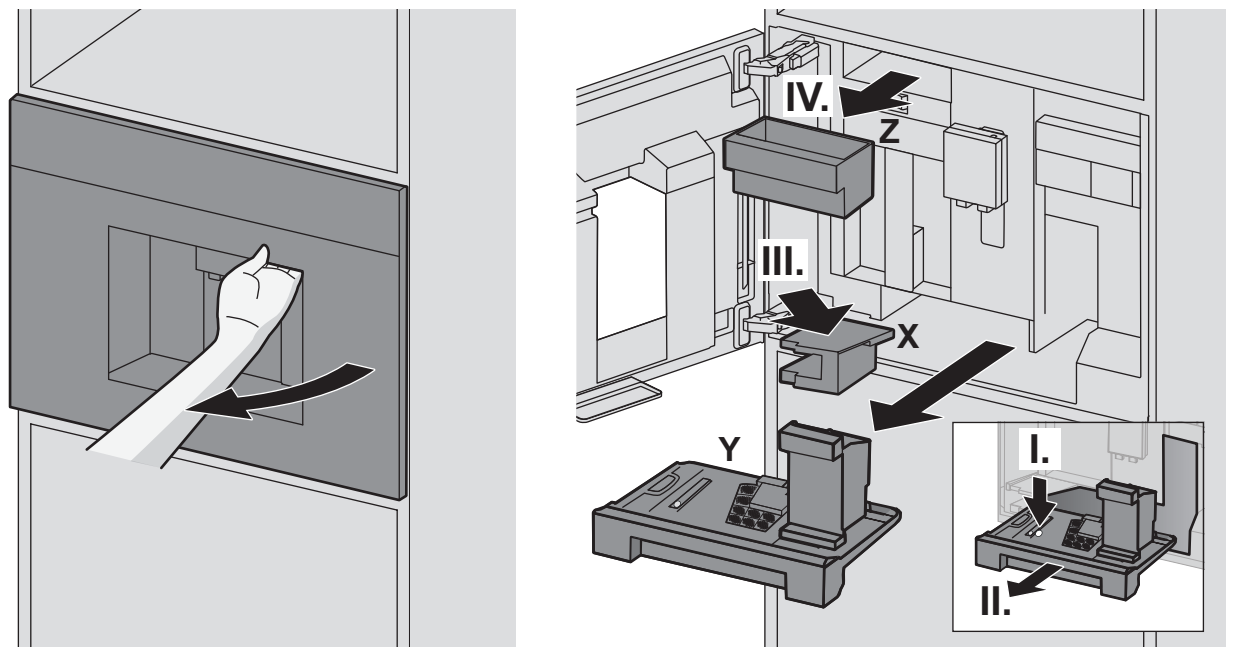
12



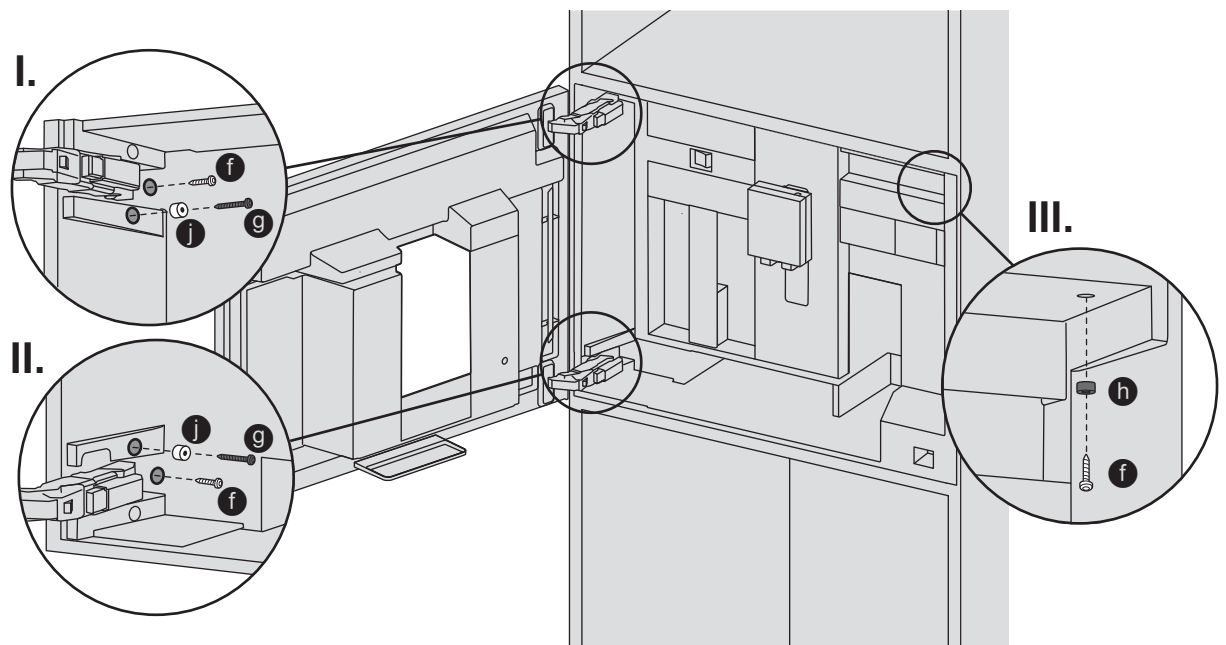
13



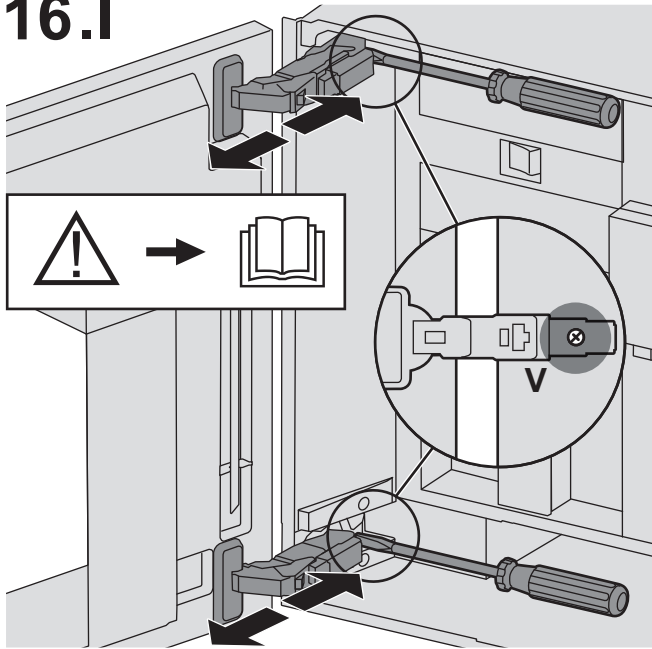
14



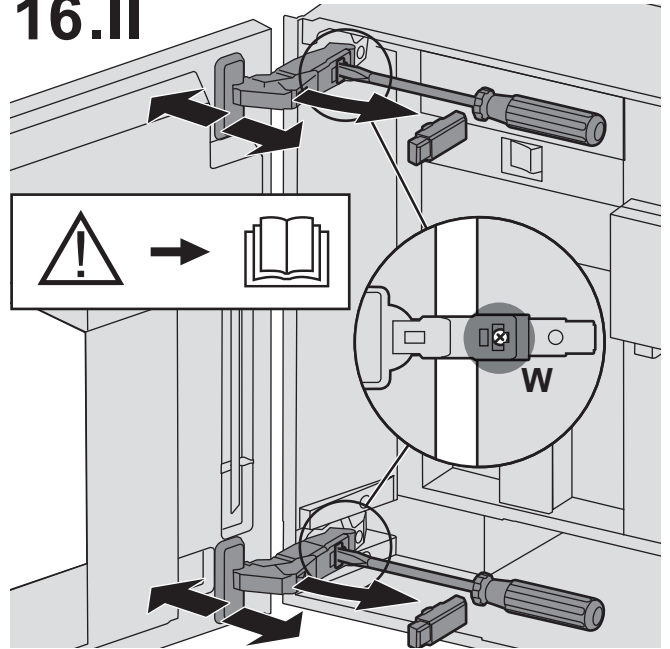
15



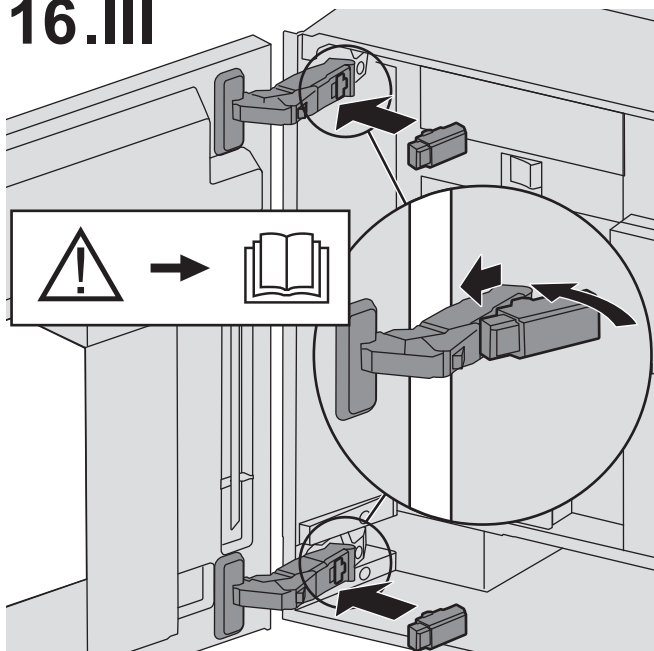
16.I



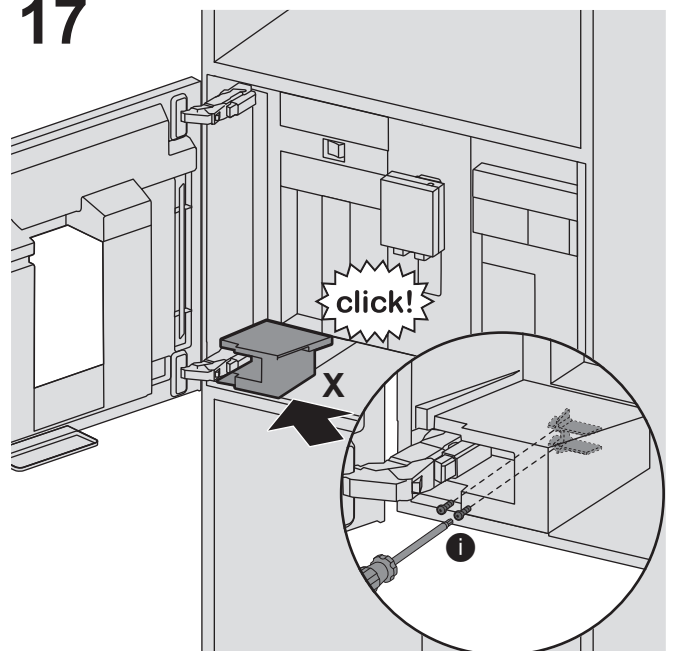
16.II



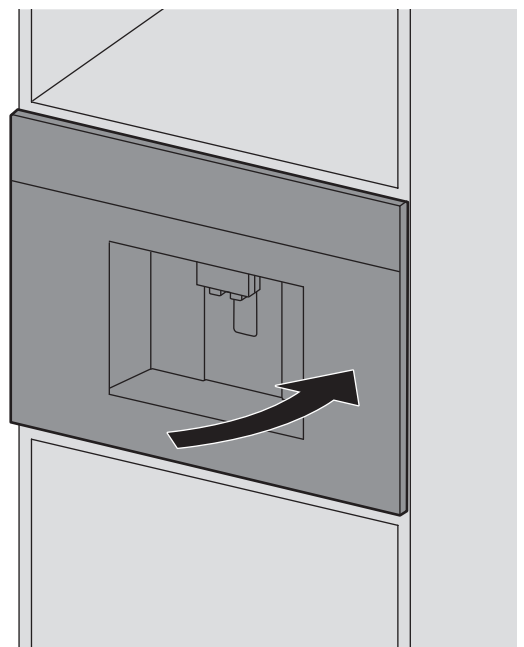
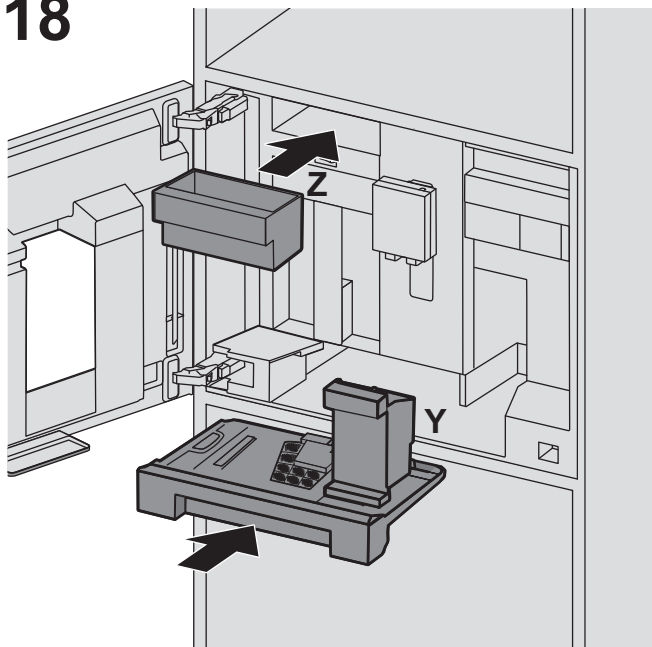
16.III



17



18



en English	1
fr Français	5
es Español	9

Safety Definitions

WARNING

This indicates that death or serious injuries may occur as a result of non-observance of this warning.

NOTICE:

This indicates that damage to the appliance or property may occur as a result of non-compliance with this advisory.

CAUTION

This indicates that minor or moderate injuries may occur as a result of non-observance of this warning.

Note:

This alerts you to important information and/or tips.

IMPORTANT SAFETY PRECAUTIONS **READ AND SAVE THESE INSTRUCTIONS**

WARNING

When using electrical appliances, basic safety precautions should always be followed, including the following:

- Please read and follow the operating instructions carefully and keep them for later reference.
- If the unit is transferred, please ensure that this manual is included.
- Please read and pay particular attention to the safety information in the instruction manual.
- All units and systems used to deliver the water to the coffee system must conform with the requirements of the respective country.

State of California Proposition 65 Warnings

WARNING

This product can expose you to chemicals including vinyl chloride, which is known to the State of California to cause cancer and birth defects or other reproductive harm. For more information go to www.P65Warnings.ca.gov.

IMPORTANT

This appliance is designed for domestic and not commercial use.

Use indoors at room temperature only. Do not use at more than 6560 feet / 2000 meters above sea level.

NOTICE:

Protect your Coffeemaker and hoses against freezing or it will be damaged. Supervise children to ensure that they do not play with the appliance.

WARNING

To reduce risk of fire and electric shock:

Installation

- Do not mount any appliance with fixed water connection over the fully automatic coffee machine.
- Connect and operate the appliance only according to the rating plate specifications.
- Use appliance only with transformer which is identified as Type 8001010566.
- Do not connect the appliance to or operate it by means of a time switch or remote control socket.
- The unit must not be operated with an extension cord.
- Use the Coffeemaker only if power cord and appliance show no signs of damage.
- Should a problem occur, pull the plug and disconnect from the power immediately.
- Never immerse the appliance or power cable in water or any liquid.
- When connecting or working on the water pipe, disconnect the appliance from the mains power supply.
- The statutory provisions of the individual country, the local power supplier and the water supply company must be observed.
- The electrical connection should not be made until after the water connection.

Grounding

This appliance may only be connected to a power supply with 120 Volt AC via a correctly installed receptacle with ground.

Repairs

- To avoid potential hazards, repairs must only be carried out by authorized service personnel.
- If the power cord of this appliance is damaged, it must be replaced by a original replacement power cord, which can be purchased from our Customer Service Department.
- Only an appliance which has been correctly installed according to these installation instructions can be used safely.

To reduce risk of fire and electric shock:

- Do not use in the same cabinet with other appliances.
- Attach loose furniture to the wall with a conventional bracket.
- Do not use directly above a drawer.
- Do not place any heating or cooking appliance beneath the appliance.
- Do not mount unit over or near any portion of a heating or cooking appliance.
- Do not mount over a sink.
- Do not store anything directly on top of the appliance surface when the appliance is in operation.

IMPORTANT SAFETY PRECAUTIONS

READ AND SAVE THESE INSTRUCTIONS

CAUTION

To avoid the risk of suffocation:

Do not allow children to play with packaging material. Store small parts safely as they can be a choke hazard.

To avoid the risk of injury:

Do not reach into the grinding unit. Be careful not to close the door on your fingers. This can result in injury.

Unpacking and Moving the Coffeemaker



The unit is heavy and should be handled accordingly. Proper safety equipment such as gloves and adequate manpower of at least two people must be used in moving the coffeemaker

to avoid injury and to avoid damage to the unit or the floor.

Rings, watches, and any other loose items that may damage the unit or otherwise might become entangled with the unit should be removed.

Hidden surfaces may have sharp edges. Use caution when reaching behind or under appliance.

To avoid the risk of effecting electronic implants:

Hazard due to magnetism

The appliance contains permanent magnets which may affect electronic implants, e.g. heart pacemakers or insulin pumps.

Persons wearing electronic implants must maintain a minimum distance of 4" (10 cm) from the appliance and from the following parts upon removal: milk container, milk system, water tank and brewing unit.

WARNING

- The fixed water connection should be installed only by a qualified technician.
- Do not connect the appliance to a hot water connection.
- Connect the appliance to a cold water connection (fresh water supply).
- Fresh water supply must be used.
- The water supply must withstand the operating pressure.
- The water pressure must be between 0.05 MPa (0.5 bar) and 1 MPa (10 bar). If the water pressure is higher than this, a pressure-reducing valve must be installed upstream.
- The hygiene regulations must be observed during installation and operation.
- The machine must be connected to the water supply in accordance with local and national regulations.

Included in delivery

- a** Fully automatic coffee machine
- b** Installation instructions
- c** Assembly bracket
- d** Transformer mount
- e** Spacers
- f** 7 fastening screws (silver)
- g** 2 fastening screws (long/black)
- h** 1 sleeve (black)
- i** 2 fastening screws (short/black)
- j** 2 sleeves (white)
- k** Transformer
- l** Hose guide
- m** Hose clamp

General information for water and drain water connection

The appliance should not be installed more than 39 $\frac{3}{8}$ " (1000 mm) away from a drain water connection. The water connection can be extended by 118 $\frac{7}{64}$ " (3000 mm) with a special pipe (part number 00357081).

A shut-off valve must be installed between the water inlet hose and the domestic water connection so that the water supply can be turned off if necessary. The shut-off valve must be freely accessible following installation.

The appliance complies with the international standards and may not be connected without a backflow preventer.

A tap with a 1 $\frac{1}{16}$ " (26.4 mm) screwed connection is required for connection. If not available, the appliance may be connected only by an approved technician.

The water quality must comply with the drinking water regulations of the individual country in which the appliance is operated.

The connection to the domestic water supply and all equipment and devices used to supply the water to the appliance must comply with the applicable provisions of the individual country. The drain water connection must be min. 5 $\frac{29}{32}$ " (min. 150 mm) below the lower edge of the appliance.

The drain water hose must not be extended.

If the installation location of the appliance is too far away from the main drainage point (siphon), the drainage system (domestic installation) must be adapted.

Prepare built-in units

Important: The power outlet must be located outside the built-in cut-out.

Make sure there is adequate air circulation. To do this, remove the rear panel of the cabinet or cut out an opening of 19¹¹/₁₆" x 15³/₄" (500 x 400 mm). There must be a gap of at least 1³/₈" (35 mm) between the wall and base of the unit or the rear panel of the unit situated above. The ventilation slots and intake openings must not be covered. Also follow the installation instructions for the appliance situated above or below. If installing the appliance above a warming drawer, the height of the recess must be 23¹/₄" (590 mm). If the appliance is installed directly under a décor panel, ensure that there is a ventilation slot of at least 31 square inches (200 cm²).

The ideal installation height for the fully automatic coffee machine, measured from the floor to the lower edge of the appliance, is 37⁷/₁₆" (950 mm).

Protect your Coffeemaker and hoses against freezing or it will be damaged.

CAUTION

Installation must always be performed by 2 persons.

Installation preparation

- 1 Unpack all the parts and check for any damage in transit. Do not operate a damaged appliance.
- 2 Take note of the installation dimensions of the particular model.

Important: Two opening angles can be selected for the door. Depending on the opening angle required, the mounting distance to the wall should be observed before installation.

- Opening angle approx. 110° (delivery status)
= mounting distance to the wall at least 13³/₄" (350 mm).
- Opening angle approx. 155°
= mounting distance to the wall at least 25⁹/₁₆" (650 mm).

For an opening angle of 155°, remove both the restrictors at the top and bottom of the hinge.

- 3 Position the assembly bracket **c** according to the measurement stated in the image and fasten it to the cabinet with 2 fastening screws **f**. The assembly bracket must be positioned at the base of the unit and the wall such that no gap is present.
- 4 Fasten the the transformer mount **d** with two screws **i** in the middle.
- 5 Insert the transformer in the mount. The connections to both lines must point to the left.

Note: When positioning the transformer **k** and pushing in the appliance, do not trap the lines.

The transformer **k** is not allowed to touch the appliance and the back wall of the cupboard.

- 6 Set the mains switch **U** to [O] on the appliance.

7 **Important:**

- The distance between the appliance and the rear wall must be at least 3⁵/₁₆" (100 mm).
- A recess of 4²³/₃₂" (120 mm) x 11¹³/₁₆" (300 mm) is required for water inlet hose and drain water hose. If required, adjust the furniture base accordingly.
- The hose guide **l** should end at the edge of the furniture base. The hose guide **l** should be adapted to the edge of the furniture if necessary.

- 8 Screw the hose guide **l** with the fastening screw **h** to the rear wall of the appliance. Insert the drain water hose in the hose guide **l**. Place the hose straight on the bottom of the furniture and run down over the edge. Feed the water inlet hose and the drain water hose through the cabinet to the back.

NOTICE:

The connecting cable and hoses must not be kinked, crushed or twisted.

Drainage connection

CAUTION

- The domestic drain water system must be vented.
- The siphon must have a suitable connection.
- Check that the drain water hose is not kinked, crushed or twisted.
- Check that there is not a cover in the drain water connection preventing drainage of the water. Remove if necessary.

- 9 Remove the cap from the drain water hose. Place the hose clamp on the drain water hose. Slide the drain water hose onto the drain water connection. Use the hose clamp to secure attachment of the drain water hose to the drain water connection. Check the connections and drain water connection for leaks.

Water connection

- 10 Before connecting the appliance, turn on the tap on the water connection and draw off approx. 340 fl. oz. (10 l) of water to clean the domestic water pipe. Then turn off the tap.

WARNING

Risk of electric shock

- The appliance must be disconnected from the electrical supply.
- Only connect the appliance to the cold water connection.
- Check that the water inlet hose is not kinked, crushed or twisted.
- The plastic housing in the AquaStop contains an electric valve so do not immerse in water.
- The water inlet hose contains the connecting lines so do not cut through this hose.
- Screw the water inlet hose with the AquaStop to the tap.
- Slowly turn on the tap so it is fully open.
- Check the connections and water inlet hose for leaks.

Installing the appliance

- 11 Securely insert the front line into the appliance (snaps into place). For this purpose, put the appliance to be plugged in just on to the edge of the unit. Plug the power cord into the socket. Plug transformer into dedicated receptacle in an accessible cabinet adjacent to the coffee maker (depends on the built-in situation). Do not plug into a receptacle behind the appliance. Push the appliance into the unit until it clicks into place.

Important: The socket must be freely accessible after the appliance has been installed.

- 12 Check the water drainage. To do so, slowly pour approx. 17 fl. oz. (0.5 l) water from a container, e.g. jug, into the drip tray. The water must drain off completely. If the water fails to drain off, check installation of the hose and the drain water connection according to the information in these installation instructions.

- 13** Check that the appliance is in the middle. If necessary, align the appliance. To do so, pull the appliance out a little, remove the appropriate spacers **e** and attach to the left side (top and bottom). Push the appliance into the unit until it clicks into place. Align the appliance horizontally and vertically. The appliance must not stand at an angle of more than 1° (2 %) in any direction!
- 14** Take hold of the appliance door on the right next to the outlet and open. Remove the drip tray **Y**. Pull the cover **X** on the bottom left-hand side forwards and remove. Pull out the accessories drawer **Z** and put to one side.
- 15** First, screw on the appliance as shown using 2 of each of the fastening screws **f** and **g** as well as 2 sleeves **i**. Then screw tight at the top right of the unit using 1 fastening screw **f** and sleeve **h**.
- 16 Only for the qualified installer**
In very few cases, the door of the built-in fully automatic machine can jam due to a misalignment in the built-in unit. The door can be adjusted. To do this adjust the hinges at the top and the bottom.
- I. Adjust the depth of the door by turning the screws **V**.
 - II. Remove the hinge dampers at the top and bottom of the hinges. Turn the screws **W** to adjust the inclination and the horizontal position of the doors.
 - III. Re-fit the hinge dampers.
- 17** Insert the cover **X** and fix with the two black fastening screws **l**.
- 18** Replace the drip tray **Y** and accessories drawer **Z** and close the appliance door.

Fault in water flow

To ensure an adequate water flow, the filter in the AquaStop should be cleaned regularly. Turn off the tap. Unscrew the water inlet hose with the AquaStop from the tap. Clean the filter with a small brush.

Important: Do not remove the filter under any circumstances. Screw the water inlet hose with the AquaStop to the tap. Slowly turn on the tap so it is fully open. Check the connections and water inlet hose for leaks. If the appliance is cleaned and maintained regularly, this will avoid faults.

Removing the appliance

- Run emptying program. See instruction manual.
- Turn off the tap.
- Disconnect the mains plug.
- Remove the water inlet and water outlet hoses.
- Remove all screws. See installation.
- Gently pull out appliance.
- Pull the appliance out from the cabinet.

Technical specifications

Power connection with transformer type 8001010566 (voltage – frequency)	120 V AC – 60 Hz
Power rating	1600 W
Maximum static pump pressure	19 bar
Maximum water tank capacity (without filter)	81.15 oz (2.4 l)
Maximum capacity of the coffee bean container	1 lb (500 g)
Length of power cable (Power socket – transformer)	39" (1 m)
Dimensions (appliance without transformer) H x B x D	17 7/8" x 23 3/8" x 14 3/4" (455 x 594 x 375 mm)
Weight, empty (appliance without transformer)	42-44 lb (19-20 kg)
Dimensions (only transformer) H x B x D	8 1/4" x 6 3/4" x 7 13/16" (210 x 172 x 198 mm)
Weight (only transformer)	27.55 lb (12.5 kg)
Type of grinding unit	Ceramic

AQUA-STOP pledge

In addition to the standard warranty provided by BSH, BSH will also compensate customers for damage caused by a specific fault in the AquaStop system giving rise to a valid warranty claim. Compensation will be provided under the following conditions:

1. If water damage is caused by a defect in materials or workmanship in the AquaStop system, BSH will compensate customers reasonable and verifiable damages.
2. A condition of all warranty claims is the appliance with AquaStop must have been installed and connected correctly in accordance with all instructions; this also includes a properly installed AquaStop extension (genuine accessories). The warranty does not cover defective feed lines or fittings leading to the AquaStop connection at the tap.

AVERTISSEMENT

Signale un risque de mort ou de blessure grave si l'avertissement n'est pas respecté.

CONSIGNE :

ceci indique un risque d'endommagement de l'appareil ou de biens en cas de non-respect de ces consignes.

MISE EN GARDE

Signale un risque de blessures mineures ou modérées si l'avertissement n'est pas respecté.

Remarque :

ceci vous signale des informations et/ou des indications importantes.

CONSIGNES DE SÉCURITÉ IMPORTANTES **LIRE ET CONSERVER CES CONSIGNES**

AVERTISSEMENT

Quand vous utilisez des appareils électriques, observez les consignes de sécurité de base, y compris ce qui suit :

- Veuillez lire et suivre attentivement les consignes d'utilisation et les conserver pour des besoins ultérieurs.
- Si l'unité est transférée ou vendue, veuillez vous assurer que ce manuel est inclus avec elle.
- Veuillez impérativement lire et respecter les consignes de sécurité figurant dans la notice d'utilisation.
- Tous les systèmes et unités utilisés pour acheminer l'eau à la cafetière doivent être conformes avec les exigences du pays d'utilisation.

Avertissements relatifs à la Proposition 65 de l'État de la Californie :

AVERTISSEMENT

Ce produit peut vous exposer à des produits chimiques, comme du chlorure de vinyle, reconnus par l'État de la Californie comme causant le cancer, des malformations congénitales ou d'autres effets nocifs sur la reproduction. Pour de plus amples renseignements, consulter www.P65Warnings.ca.gov.

IMPORTANT

Cet appareil est destiné à un usage domestique et non commercial.

Utiliser l'appareil à l'intérieur et à température ambiante uniquement. Ne pas utiliser à plus de 6 560 pieds/2 000 mètres au-dessus du niveau de la mer.

CONSIGNE :

Protégez votre cafetière et vos tuyaux du gel afin de les conserver en bon état. Surveillez les enfants afin de s'assurer qu'ils ne jouent pas avec la machine.

AVERTISSEMENT

Pour réduire le risque de choc électrique :

Installation

- Ne pas installer d'appareil avec raccord d'eau au-dessus de la machine à café complètement automatisée.
- Ne brancher et n'utiliser l'appareil que conformément aux données indiquées sur la plaque signalétique.
- Utiliser l'appareil uniquement avec le transformateur de type 8001010566.
- Ne pas raccorder ni utiliser l'appareil via une prise à minuterie ou commandée à distance.
- L'appareil ne doit pas être utilisé avec une rallonge électrique.
- Utiliser la cafetière uniquement si son cordon d'alimentation et l'appareil lui-même ne montrent aucun signe de détérioration.
- En cas de défaut, débrancher immédiatement la prise électrique de l'appareil.
- Ne jamais plonger l'appareil ou le cordon d'alimentation dans un liquide.
- Débrancher l'appareil avant de raccorder ou de travailler sur la conduite d'eau.
- Les dispositions propres à chaque pays et fournisseur d'énergie/d'eau doivent être observées en tout temps.
- Le raccordement électrique doit suivre le raccordement à la source d'eau.

Mise à la terre

L'appareil doit être branché à une source de courant alternatif de 120 volts via une prise correctement mise à la terre.

Réparations

- Afin d'éviter tous les risques, seul un personnel de service autorisé peut réparer cet appareil.
- Si le cordon d'alimentation secteur de cet appareil est endommagé, il doit être remplacé par un câble de rechange d'origine, disponible auprès de notre service à la clientèle.
- Seul une mise en place conforme au présent guide de montage permet de garantir une utilisation en toute sécurité.

Pour réduire le risque de choc électrique :

- Ne pas utiliser dans le même meuble que d'autres appareils.
- Le meuble portant la machine doit être fixé au mur par une équerre.
- Ne pas utiliser directement au-dessus d'un tiroir.
- Ne pas placer d'appareil de chauffage ou de cuisine sous la machine.
- Ne pas installer l'unité au-dessus ou à proximité de toute partie d'un appareil de chauffage ou de cuisine.
- Ne pas monter l'appareil au-dessus d'un évier.
- Ne ranger aucun objet directement sur la surface de l'appareil lorsque celui-ci est en cours de fonctionnement.

⚠️ CONSIGNES DE SÉCURITÉ IMPORTANTES

LIRE ET CONSERVER CES CONSIGNES

⚠️ MISE EN GARDE

Pour éviter tout risque d'étouffement :

ne jamais laisser les enfants jouer avec le matériel d'emballage. Conservez les pièces de petite taille dans un endroit sûr, car elles posent un risque d'étouffement.

Pour éviter tout risque de blessure :

ne pas accéder à l'unité de mouture. Prenez garde de ne pas vous coincer les doigts en fermant la porte. Vous pourriez vous blesser.

Déballer et déplacer l'appareil



Cet appareil est lourd et doit être manipulé correctement. Par mesure de sécurité, le port de gants et au moins deux personnes sont nécessaires pour déplacer la cafetière afin d'éviter les blessures et les dommages matériels.

Les bagues, montres et autres objets qui peuvent endommager ou se coincer dans la machine doivent être retirés. Certaines surfaces cachées peuvent avoir des rebords tranchants. Redoublez de vigilance quand vous passez la main derrière ou sous l'appareil.

Pour éviter tout risque d'interférence avec les implants électroniques :

Risque dû au magnétisme

Cet appareil peut contenir des aimants permanents qui pourraient affecter les implants électroniques comme les stimulateurs cardiaques ou les pompes à insuline. Les porteurs d'implants électroniques doivent maintenir une distance d'au moins 4" (10 cm) entre eux et les parties suivante lors de leur extraction : récipient de lait, système de distribution du lait, réservoir d'eau et le groupe filtrant.

⚠️ AVERTISSEMENT

- Le raccordement d'eau fixe doit être installé par un technicien qualifié.
- Ne pas brancher l'appareil à une source d'eau chaude.
- Brancher l'appareil à une source d'eau potable froide.
- L'eau utilisée doit être potable.
- L'alimentation en eau doit résister à la pression de travail.
- La pression de l'eau doit être comprise entre 0,05 MPa (0,5 bar) et 1 MPa (10 bars). Si la pression de l'eau est supérieure, une vanne de réduction de pression doit être installée en amont.
- L'installation et l'opération doivent se faire sous de strictes conditions d'hygiène.
- La machine doit être reliée au système d'alimentation en eau conformément aux règlements locaux et nationaux.

Contenu de l'emballage

- a Machine à café complètement automatique
- b Instructions d'installation
- c Équerre de montage
- d Monture du transformateur
- e Entretoises
- f 7 vis de fixation (argent)
- g 2 vis de fixation (longues/noires)
- h 1 douille (noire)
- i 2 vis de fixation (courtes/noires)
- j 2 douilles (blanches)
- k Transformateur
- l Guide de tuyau
- m Collier de serrage

Renseignements généraux sur les raccordements d'alimentation et d'évacuation d'eau

L'appareil doit être installé à une distance maximale de 39 $\frac{3}{4}$ " (1000 mm) d'un raccordement d'évacuation d'eau. Le raccordement d'eau peut être prolongé de 118 $\frac{3}{4}$ " (3000 mm) avec un tuyau spécial (pièce n° 00357081).

Une vanne de fermeture doit être posée entre le tuyau d'alimentation en eau et la source domestique de façon à pouvoir interrompre l'alimentation en eau si nécessaire. La vanne de fermeture doit demeurer accessible suite à l'installation.

L'appareil est conforme aux normes internationales et doit être branché sans faute avec un disconnecteur hydraulique.

Un robinet pourvu d'un raccord vissé de 1 $\frac{1}{8}$ " (26,4 mm) est nécessaire. En l'absence d'un tel robinet, l'appareil doit être installé par un technicien autorisé uniquement.

La qualité de l'eau doit répondre aux normes sur l'eau potable propres au pays dans lequel l'appareil est utilisé.

Le raccordement au système d'eau domestique, ainsi que tous les équipements et appareils utilisés pour acheminer l'eau jusqu'à l'appareil, doivent répondre aux dispositions en vigueur dans le pays d'utilisation.

Le raccordement d'évacuation d'eau doit être au moins 5 $\frac{29}{32}$ " (min. 150 mm) sous le rebord inférieur de l'appareil.

Le tuyau d'évacuation d'eau ne doit pas être prolongé.

Si le lieu d'installation de l'appareil est trop éloigné du point d'évacuation (siphon), il faudra ajuster le système d'évacuation (installation domestique) en conséquence.

Préparer les groupes intégrés

Important : la prise de courant doit être située à l'extérieur du disjoncteur intégré.

Il importe d'assurer une bonne circulation de l'air. À cet effet, retirer le panneau arrière du meuble ou découper une ouverture aux dimensions suivantes : 19¹/₁₆" x 15³/₁₆" (500 x 400 mm). Un espace d'au-moins 1³/₁₆" (35 mm) est nécessaire entre le mur et la base de l'unité ou du panneau arrière de l'unité située au-dessus. Les orifices de ventilation et les prises d'air ne doivent pas être obstrués. Tenir compte également des instructions de montage de l'appareil situé en dessous ou au-dessus. Si la machine est installée au-dessus d'un chauffe-plats, la hauteur de l'espace entre les deux machines doit être de 23³/₄" (590 mm). Si la machine est installée directement sous un panneau décoratif, s'assurer qu'il existe un espace de ventilation d'au-moins 31 square inches (200 cm²). La hauteur de montage idéale de la machine à café est de 37⁷/₁₆" (950 mm), entre le sol et le bord inférieur de la machine. Protégez votre cafetière et vos tuyaux du gel afin de les conserver en bon état.

MISE EN GARDE

L'installation doit toujours être réalisée par 2 personnes.


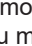


Préparation avant l'installation

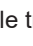
- Après avoir les avoir déballées, vérifier toutes les pièces pour détecter d'éventuels dégâts dus au transport. Ne pas mettre en service un appareil présentant des dommages.
- Tenir compte des cotes de montage en fonction du modèle et des conditions de montage.


Important : il est possible de choisir entre deux angles d'ouverture de la porte. En fonction de l'angle d'ouverture souhaité, la distance de montage envers le mur doit être respectée avant l'installation.

- Angle d'ouverture d'env. 110° (état à la livraison) = distance de montage envers le mur d'au moins 13³/₄" (350 mm).
- Angle d'ouverture d'env. 155° (état à la livraison) = distance de montage envers le mur d'au moins 25⁹/₁₆" (650 mm).

Pour un angle d'ouverture de 155°, retirer les deux butées en haut et en bas de la charnière.



- Positionner l'équerre de montage  selon les mesures indiquées dans l'image et fixez-la au meuble avec 2 vis de fixation . L'équerre de montage doit être positionnée à la base de l'appareil et du mur de sorte qu'il n'y ait aucun espace entre les deux.
- Fixer la monture du transformateur  avec deux vis  au milieu.
- Insérer le transformateur dans la monture. Les connexions aux deux lignes doit pointer vers la gauche.




Remarque : prenez garde de ne pas bloquer les lignes au moment de positionner le transformateur  et de le pousser dans la machine.

Le transformateur  ne doit pas toucher la machine et le panneau arrière de l'armoire.

- Commuter l'interrupteur principal **U** sur [].

7 Important :

- Remarque : la distance entre l'appareil et le mur doit être d'au moins 3¹⁵/₁₆" (100 mm).
- Une niche de 4²³/₃₂" (120 mm) x 11¹³/₁₆" (300 mm) est nécessaire pour les tuyaux d'arrivée et d'évacuation d'eau. Si nécessaire, ajuster la base du meuble.
- Le guide de tuyau  devrait être situé au rebord de la base du meuble. Le guide de tuyau  devrait être ajusté au rebord de la base du meuble si nécessaire.

- Visser le guide de tuyau  avec la vis de fixation  à la paroi arrière de l'appareil. Insérer le tuyau d'évacuation d'eau dans le guide . Placer le tuyau bien droit au fond du meuble et le faire descendre en passant par-dessus le rebord. Faire passer les tuyaux d'alimentation et d'évacuation d'eau par l'arrière du meuble.

CONSIGNE :

Le câble et les tuyaux ne doivent être ni coudés, ni écrasés, ni tordus.

Raccordement de l'évacuation

MISE EN GARDE

- Le système d'évacuation d'eau domestique doit être aéré.
- Le siphon doit être pourvu d'un raccordement approprié.
- S'assurer que le tuyau d'évacuation d'eau n'est ni coudé, ni écrasé, ni tordu.
- S'assurer que le raccordement d'évacuation d'eau n'est pas recouvert, ce qui empêcherait l'évacuation d'eau. Retirer le capuchon si nécessaire.

- Retirer le capuchon du tuyau d'évacuation d'eau. Placer le collier de serrage sur le tuyau d'évacuation d'eau. Glisser le tuyau d'évacuation d'eau sur le raccordement d'évacuation d'eau. Avec le collier de serrage, fixer le tuyau d'évacuation au raccordement correspondant. S'assurer de l'absence de fuites dans les raccordements et dans le tuyau d'évacuation d'eau.

Raccordement d'eau

- Avant de raccorder l'appareil, ouvrir le robinet d'eau et en tirer environ 340 oz liq (10 l) d'eau pour nettoyer le tuyau d'eau domestique. Fermer ensuite le robinet.

AVERTISSEMENT

Risque d'électrocution

- La prise secteur ne doit pas être insérée dans la fiche.
- Raccordez l'appareil uniquement à une source d'eau froide.
- S'assurer que le tuyau d'alimentation d'eau n'est ni coudé, ni écrasé, ni tordu.
- L'enceinte de plastique dans l'AquaStop contient une vanne électrique.
- Il faut donc éviter de submerger l'appareil.
- Comme le tuyau d'alimentation en eau contient les conduites de raccordement, il faut éviter de le sectionner.
- Visser le tuyau d'alimentation en eau avec l'AquaStop au robinet.
- Ouvrir lentement et complètement le robinet.
- S'assurer de l'absence de fuites dans les raccordements et dans le tuyau d'alimentation en eau.

Installation de l'appareil

11 Positionner la ligne avant dans l'appareil (s'encliquette). À cet effet, poser légèrement l'appareil sur l'armoire pour le brancher. Brancher le cordon d'alimentation dans la prise. Brancher le transformateur dans une prise dédiée dans une armoire accessible à côté de la machine à café (selon la situation de montage). Ne pas brancher dans une prise derrière l'appareil. Insérer l'appareil jusqu'en butée dans l'armoire.

Important: la prise doit être facilement accessible même une fois l'appareil installé.

12 Vérifier l'évacuation d'eau. Pour ce faire, verser lentement environ 17 oz liq (0,5 l) d'eau dans le plateau d'égouttage avec une cruche. L'eau doit s'évacuer complètement. Si l'eau ne s'écoule pas, s'assurer que le tuyau et le raccordement d'évacuation sont installés conformément aux instructions du présent manuel.

13 Vérifier que l'appareil est bien centré. Si nécessaire, ajuster la position de l'appareil. Pour ce faire, ressortir légèrement l'appareil, détacher les entretoises correspondantes **E** et les mettre en place sur le côté gauche (en haut et en bas). Insérer l'appareil jusqu'en butée dans l'armoire. Aligner l'appareil horizontalement et verticalement. L'appareil ne doit pas avoir un angle de plus 1° (2 %) dans une direction ou l'autre.

14 Saisir la porte de l'appareil du côté droit à côté de la buse d'écoulement et ouvrir. Retirer la cuvette d'égouttage **Y**. Tirer le couvercle **X** en bas à gauche vers l'avant et le retirer. Retirer le tiroir à accessoires **Z** et le déposer.

15 Visser d'abord l'appareil avec les 2 vis de fixation **F** et **G** ainsi que les 2 douilles **H** comme indiqué dans l'illustration. Serrer ensuite par vissage à l'aide d'une vis de fixation **F** et d'une douille **H** en haut à droite de l'armoire.

16 Uniquement pour l'installateur qualifié

Dans de rares cas, la porte de la machine intégrée automatisée peut se coincer à cause d'un mauvais alignement de l'appareil intégré. La porte peut être ajustée. Pour ce faire, régler les charnières en haut et en bas :

- I. Régler la profondeur de la porte en tournant les vis **V**.
- II. Retirer l'amortissement des charnières en haut et en bas des charnières. Régler l'inclinaison et la position horizontale de la porte en tournant les vis **W**.
- III. Remettre l'amortissement des charnières en place.

17 Mettre le capuchon **X** en place et le fixer avec les deux vis de fixation noires **I**.

18 Remettre en place le plateau d'égouttage **Y** et le tiroir d'accessoires **Z** et fermer la porte de l'appareil.

Erreur de circulation de l'eau

Pour garantir le bon écoulement de l'eau, le filtre de l'AquaStop doit être nettoyé régulièrement. Fermer le robinet. Dévisser le tuyau d'alimentation en eau avec l'AquaStop du robinet. Nettoyez le filtre avec une petite brosse.

Important: ne jamais retirer le filtre. Visser le tuyau d'alimentation en eau avec l'AquaStop au robinet. Ouvrir lentement et complètement le robinet. S'assurer de l'absence de fuites dans les raccordements et dans le tuyau d'alimentation en eau. Le nettoyage et l'entretien réguliers de la machine aideront à prévenir les erreurs.

Débrancher l'appareil

- Exécuter le programme de vidange. Se reporter au mode d'emploi.
- Fermer le robinet.
- Débrancher la prise secteur.
- Retirer les tuyaux d'alimentation et d'évacuation d'eau.
- Retirer toutes les vis. Voir l'installation
- Tirer doucement l'appareil.
- Retirer l'appareil du meuble.

Données techniques

Raccordement électrique avec un transformateur de type 8001010566 (tension – fréquence)	120 V AC – 60 Hz
Puissance raccordée	1600 W
Pression statique maximale de la pompe	19 bar
Contenance maximale du réservoir d'eau (sans filtre)	81.15 oz (2.4 l)
Contenance maximale du réservoir pour café en grains	1 lb (500 g)
Longueur du cordon d'alimentation (Prise d'alimentation – transformateur)	39" (1 m)
Dimensions (appareil sans transformateur) H x L x P	17 7/8" x 23 3/8" x 14 3/4" (455 x 596 x 375 mm)
Poids, à vide (appareil sans transformateur)	42-44 lb (19-20 kg)
Dimensions (uniquement transformateur) H x L x P	8 1/4" x 6 3/4" x 7 13/16" (210 x 172 x 198 mm)
Poids (uniquement transformateur)	27.55 lb (12,5 kg)
Type de moulin	Céramique

L'engagement AQUA-STOP

En plus de la garantie fournie par BSH, BSH dédommagera également tout client ayant subi des dommages causés par un défaut spécifique dans le système Aqua Stop et donnant lieu à un recours en garantie. La compensation sera versée sous les conditions suivantes :

1. Si un dégât d'eau est causé par un défaut de matériel ou de main-d'oeuvre dans le système AquaStop, BSH dédommagera les dommages raisonnables et vérifiables du client.
2. Toutes les revendications de garantie ont pour condition préalable que l'appareil doté de l'AquaStop soit installé et branché correctement selon nos instructions; cela inclut également une extension AquaStop correctement installée (accessoires d'origine). Notre garantie ne couvre pas les conduites d'arrivée d'eau ou robinetteries défectueuses conduisant au raccordement du dispositif AquaStop au robinet d'eau.

ADVERTENCIA

Esto indica que pueden producirse heridas graves o incluso la muerte si no se cumple con esta advertencia.

ATENCIÓN:

Esto indica que pueden producirse daños en el aparato o en los bienes si no se cumple con este aviso.

PRECAUCIÓN:

Esto indica que pueden producirse heridas leves o moderadas si no se cumple con esta advertencia.

Nota:

Esto alerta sobre información y/o sugerencias importantes.

PRECAUCIONES IMPORTANTES DE SEGURIDAD **LEA Y CONSERVE ESTAS INSTRUCCIONES**

ADVERTENCIA

Al utilizar aparatos eléctricos, deben seguirse siempre precauciones de seguridad básicas, entre las que se encuentran las siguientes:

- Por favor lea y siga las instrucciones de operación cuidadosamente y consérvelas para su consulta posterior.
- Si la unidad es transferida, por favor asegúrese de que se incluya este manual.
- Es imprescindible leer y tener en cuenta los consejos y advertencias de seguridad de las instrucciones de uso.
- Todas las unidades y sistemas utilizados para suministrar agua a la cafetera deben cumplir con los requisitos del país correspondiente.

Advertencias en virtud de la Proposición 65 del estado de California:

ADVERTENCIA

Este producto puede exponerle a sustancias químicas, entre ellas, a cloruro de vinilo, que el estado de California sabe que provocan cáncer, defectos congénitos u otros daños reproductivos. Para obtener más información, ir a la página web www.P65Warnings.ca.gov.

IMPORTANTE

Este aparato está diseñado para uso doméstico, y no para uso comercial.

Utilice únicamente en interiores y a temperatura ambiente. No use a más de 6560 pies/2000 metros de altura sobre el nivel del mar.

ATENCIÓN:

Proteja su cafetera y mangueras contra la congelación o se dañarán. Supervise a los niños para asegurarse que no jueguen con el aparato.

ADVERTENCIA

Para reducir el riesgo de incendio y descarga eléctrica: Instalación

- No instale ningún aparato con conexión fija a toma de agua sobre la cafetera automática.
- Conecte y opere el aparato sólo de acuerdo con las especificaciones descritas en la placa de características.
- Utilice únicamente con un transformador que esté identificado como Tipo 8001010566.
- No conecte el aparato ni lo haga funcionar mediante un interruptor temporizador o un tomacorriente con control remoto.
- La unidad no debe ser operada con un cable de extensión.
- Opere la cafetera únicamente cuando el cable de alimentación y el electrodoméstico no muestren señales de daño.
- En caso de surgir algún problema, desenchufar inmediatamente y desconectar de la fuente de alimentación.
- No sumergir nunca el aparato o el cable de energía eléctrica en agua u otros líquidos.
- Al conectar o al trabajar en la tubería de agua, desconectar el aparato de la red eléctrica.
- Se deben tener en cuenta las disposiciones legales de cada país, así como las disposiciones del proveedor de energía local y de la empresa de suministro de agua.
- La conexión eléctrica deberá realizarse hasta después de efectuar la conexión de agua.

Conexión a tierra

El aparato debe ser conectado únicamente a una alimentación eléctrica con corriente alterna de 120 voltios a través de un tomacorriente instalado correctamente con tierra física.

Reparaciones

- Las reparaciones en el aparato deben ser realizadas sólo por personal de servicio autorizado para evitar posibles peligros.
- Si el cable de alimentación de este aparato resulta dañado, éste debe sustituirse por un cable de alimentación original, que puede adquirirse en su servicio de asistencia técnica.
- Sólo una instalación correcta desde el punto de vista técnico que siga estas instrucciones de montaje garantizará un uso seguro del aparato.

Para reducir el riesgo de incendio y descarga eléctrica:

- No use en el mismo armario con otros aparatos.
- Sujete a la pared los muebles sueltos usando un soporte de fijación estándar.
- No la utilice directamente sobre una cajonera.
- No coloque ningún aparato de calentamiento o cocción debajo de la cafetera.
- No instale la unidad por encima ni cerca de ninguna porción de un aparato de calentamiento o cocción.
- No instale encima del fregadero.
- No coloque nada directamente encima de la superficie del aparato cuando esté en funcionamiento.

⚠ PRECAUCIONES IMPORTANTES DE SEGURIDAD

LEA Y CONSERVE ESTAS INSTRUCCIONES

⚠ PRECAUCIÓN

Para evitar riesgo de sofocación:

Nunca deje que los niños jueguen con el material de empaque. Almacene las partes pequeñas en un lugar seguro, ya que éstas pueden causar asfixia.

Para evitar el riesgo de lesiones:

No meta las manos dentro de la unidad de molido. Tenga cuidado de no machucar sus dedos cuando cierre la puerta. Esto puede ocasionar lesiones.

Desempacando y trasladando la cafetera



La unidad es pesada y debe ser manejada tomando en cuenta esto. Debe utilizarse el equipo de seguridad adecuado como guantes y la fuerza de al menos dos personas para mover la cafetera para evitar lesiones y daños a la unidad o al piso. Deben ser retirados los anillos, relojes de pulsera, o cualquier otro artículo suelto que pueda dañar la unidad o que pueda quedar atorado en la unidad.

Las superficies ocultas pueden tener bordes afilados. Tenga precaución cuando meta las manos detrás o debajo del aparato.

Para evitar el riesgo de influencia en implantes electrónicos:

Peligro debido a magnetismo

El aparato contiene imanes permanentes que pueden afectar a los implantes electrónicos, tales como marcapasos o bombas de insulina. Las personas portadoras de implantes electrónicos deberán mantener una distancia mínima de seguridad de 4" (10 cm) con respecto al aparato y a los siguientes componentes después de retirarlos: el recipiente de leche, el sistema de leche, el depósito de agua y la unidad de preparación.

⚠ ADVERTENCIA

- La conexión fija de agua sólo debe ser instalada por un técnico cualificado.
- No conecte el aparato a una toma de agua caliente.
- Conecte el aparato a una toma de agua fría (suministro de agua potable).
- Se debe utilizar un suministro de agua potable.
- La entrada de agua debe soportar la presión de servicio.
- La presión de agua debe estar entre 0.05 MPa (0.5 bar) y 1 MPa (10 bar). Si la presión de agua es superior, se debe instalar una válvula reductora de la presión delante.
- Se deben observar las normativas de higiene durante la instalación y el servicio.
- La máquina se debe conectar a la entrada de agua de conformidad con la normativa local y nacional.

Lista de partes incluidas

- a Cafetera automática
- b Instrucciones de montaje
- c Ángulo de montaje
- d Base del transformador
- e Distanciadores
- f 7 tornillos de fijación (plata)
- g 2 tornillos de fijación (largos/negros)
- h 1 manguito (negro)
- i 2 tornillos de fijación (cortos/negros)
- j 2 manguitos (blancos)
- k Transformador
- l Guía de manguera
- m Abrazadera de manguera

Información general para la conexión de agua y drenaje

El aparato no debe instalarse a una distancia mayor de 39 $\frac{3}{8}$ " (1000 mm) con respecto a la conexión de desagüe. La conexión del agua se puede prolongar hasta 118 $\frac{3}{4}$ " (3000 mm) mediante un tubo especial (número de pieza 00357081).

Se debe instalar una válvula de cierre entre la manguera de entrada de agua y la conexión de agua doméstica, de modo que el suministro de agua se pueda cerrar si es necesario. La válvula de cierre debe estar fácilmente accesible después de la instalación.

El aparato cumple con los estándares internacionales y no debe conectarse sin una válvula antirretorno.

Para la conexión se necesita un grifo con una conexión roscada de 1 $\frac{1}{16}$ " (26.4 mm). Si no está disponible, el aparato solo puede ser conectado por un técnico homologado.

La calidad del agua debe cumplir con el reglamento de agua potable del respectivo país en el que prestará servicio el aparato.

La conexión al suministro de agua doméstico y todos los equipos y dispositivos utilizados para suministrar agua al aparato deberán cumplir con las disposiciones aplicables del país individual.

La conexión de desagüe debe encontrarse como mínimo 5 $\frac{29}{32}$ " (al menos 150 mm) debajo del borde inferior del aparato.

La manguera de desagüe no debe ser prolongada.

Si la ubicación de la instalación del aparato está demasiado alejada del punto principal de drenaje (sifón), el sistema de drenaje (instalación doméstica) debe ser adaptado.

Preparaciones para unidades empotradas

Importante: El toma de corriente debe ubicarse fuera de la zona del recorte para la unidad empotrada.

Asegure que exista una circulación de aire suficiente. Para lograr esto, retire el panel posterior o corte una abertura de $19\frac{1}{16}$ " x $15\frac{3}{4}$ " (500 x 400 mm). Debe haber un claro de al menos $1\frac{3}{8}$ " (35 mm) entre la pared y la base de la unidad o el panel posterior de la unidad situado arriba. Las rejillas de ventilación y las aberturas de aspiración no deben quedar cubiertas. Para ello, siga también las instrucciones de instalación del aparato que se encuentre encima o debajo. Si instala el aparato por encima de un cajón caliente platos, la altura del nicho debe ser de $23\frac{3}{4}$ " (590 mm). Si el aparato se instala directamente bajo un panel decorativo, asegúrese de que haya una ranura de ventilación de al menos 31 pulg² (200 cm²).

La altura de instalación ideal para la cafetera automática, medida desde el piso al borde inferior del aparato es de $37\frac{7}{16}$ " (950 mm). Proteja su cafetera y mangueras contra la congelación o se dañarán.

PRECAUCIÓN:

La instalación siempre debe ser realizada por 2 personas.





Preparación para la instalación



- 1 Desempaque todos los componentes y verifique si presentan daños o desperfectos. Los aparatos que presenten daños o desperfectos no deberán ponerse en funcionamiento.
- 2 Tenga en cuenta las dimensiones de montaje del respectivo modelo.

Importante: Para la puerta se pueden seleccionar dos ángulos de apertura. Dependiendo del ángulo de apertura deseado, antes del montaje deberá tenerse en cuenta la distancia de montaje hasta la pared.

- Ángulo de apertura aprox. 110° (estado de entrega)
= distancia de montaje hasta la pared de al menos $13\frac{3}{4}$ " (350 mm).
- Ángulo de apertura aprox. 155°
= distancia de montaje hasta la pared de al menos $25\frac{9}{16}$ " (650 mm).

Para un ángulo de apertura de 155° , retire los dos topes superior e inferior de la bisagra.



- 3 Coloque el ángulo de montaje de conformidad con la medida indicada en la imagen  y fíjelo en el armario mediante 2 tornillos de fijación . El ángulo de montaje debe ser colocado en la base de la unidad y la pared, de manera que no haya ninguna separación.
- 4 Fije la base del transformador  con dos tornillos  en el centro.
- 5 Inserte el transformador en la base. Las conexiones de ambos cables deben apuntar hacia la izquierda.




Nota: Cuando coloque el transformador  y empuje el aparato hacia adentro, no deje atrapados los cables. No está permitido que el transformador  toque el aparato ni la pared posterior del armario.

- 6 Coloque el interruptor principal **U** del aparato en [O].

7 **Importante:**

- La distancia entre el aparato y la pared posterior debe ser al menos de $3\frac{1}{8}$ " (100 mm).

- Se necesita un nicho de $4\frac{23}{32}$ " (120 mm) x $11\frac{13}{16}$ " (300 mm) para la manguera de entrada de agua y la manguera de desagüe. En caso necesario, ajuste adecuadamente la base del mueble.
- La guía de manguera  debe finalizar en el borde de la base del mueble. La guía de manguera  se debe adaptar al borde del mueble, en caso necesario.

- 8 Atornille la guía de manguera  con el tornillo de fijación  en la pared posterior del aparato. Inserte la manguera de desagüe en la guía de manguera . Ponga la manguera recta sobre el fondo del mueble y tiéndala sobre el borde. Pase la manguera de entrada de agua y la manguera de desagüe a través del armario hacia la parte posterior.

ATENCIÓN:

El cable de conexión y las mangueras no deben estar doblados, aplastados ni retorcidos.

Conexión de drenaje

PRECAUCIÓN:

- El sistema de desagüe doméstico debe ser ventilado.
- El sifón debe tener una conexión adecuada.
- Verifique que la manguera de desagüe no esté doblada, aplastada o retorcida.
- Verifique que no hay ninguna tapa en la conexión de desagüe que impida el drenaje del agua. Retírela, si es necesario.

- 9 Retire la tapa de la manguera de desagüe. Coloque la abrazadera de manguera en la manguera de desagüe. Coloque la manguera de desagüe en la conexión de desagüe. Use la abrazadera de manguera para una fijación segura de la manguera de desagüe a la conexión de desagüe. Controle las conexiones y la conexión de desagüe en cuanto a fugas.

Conexión de agua

- 10 Antes de conectar el aparato, abra el grifo de la conexión de agua y deje salir aprox. 340 fl. oz (10 l) de agua para limpiar la tubería de agua doméstica. Después cierre el grifo.

ADVERTENCIA

Peligro de descarga eléctrica

- El enchufe de red eléctrica no debe estar insertado en el tomacorriente.
- Conecte el aparato solamente a la toma de agua fría.
- Verifique que la manguera de entrada de agua no esté doblada, aplastada o retorcida.
- La carcasa de plástico del AquaStop contiene una electroválvula, así que no la sumerja en agua.
- La manguera de entrada de agua contiene las líneas de conexión, por tanto, no corte esta manguera.
- Enrosque la manguera de entrada de agua con el AquaStop en el grifo.
- Abra lentamente el grifo hasta que esté totalmente abierto.
- Controle las conexiones y la manguera de entrada de agua en cuanto a fugas.

Cómo instalar el aparato

11 Inserte firmemente el cable frontal en el aparato (queda en su lugar al sonar un chasquido). Para lograrlo, coloque el aparato a ser enchufado justo sobre el borde del gabinete. Enchufe el cable de alimentación en el tomacorriente. Enchufe el transformador a su receptáculo correspondiente en un armario al que pueda acceder situado junto a la cafetera (según la situación de empotramiento). No lo enchufe a receptáculos que estén colocados detrás del aparato. Empuje el aparato hacia el interior del gabinete hasta que suene un chasquido.

Importante: El enchufe debe permanecer fácilmente accesible en todo momento después de haber instalado el aparato.

- 12** Verifique el drenaje del agua. Para ello, vierta lentamente aprox. 17 fl. oz. (0.5 l) de agua de un recipiente, p. ej. jarra, en la bandeja de goteo. El agua debe drenar totalmente. Si el agua no drena, verifique la instalación de la manguera y la conexión de desagüe, de acuerdo con la información contenida en estas instrucciones de montaje.
- 13** Compruebe que el aparato esté centrado. Si es necesario, alinee el aparato. Para ello, saque un poco el aparato, desprenda los distanciadores **Ⓒ** y colóquelos en el lado izquierdo (arriba y abajo). Empuje el aparato hacia el interior del gabinete hasta que suene un chasquido. Alinee el electrodoméstico horizontal y verticalmente. ¡El aparato no debe estar desnivelado en un ángulo mayor de 1° (2 %) en cualquier dirección!
- 14** Tome la puerta del aparato por la parte derecha junto a la salida y ábrala. Retire la bandeja de goteo **Y**. Jale la cubierta **X** desde la parte inferior izquierda hacia la parte delantera derecha y retírela. Extraiga el cajón de accesorios **Z** y déjelo a un lado.
- 15** Atornille el aparato primero con 2 tornillos de fijación **Ⓕ** y 2 tornillos **Ⓖ**, así como con 2 manguitos **Ⓘ**, como se muestra en la ilustración. A continuación, atornille con 1 tornillo de fijación **Ⓙ** y el manguito **Ⓚ** arriba a la derecha de la unidad.
- 16 Sólo para el instalador cualificado**
En raras ocasiones, debido a una deformación en el mueble empotrado, la puerta del aparato podría atrancarse. La puerta se puede ajustar. Para ello, ajuste las bisagras por arriba y por abajo.
- I.** Ajuste la profundidad de la puerta girando los tornillos **V**.
- II.** Retire los amortiguadores superior e inferior de las bisagras. Ajuste la inclinación y la posición horizontal de la puerta girando los tornillos **W**.
- III.** Vuelva a colocar los amortiguadores de las bisagras.
- 17** Coloque la cubierta **X** y fije con ambos tornillos negros de sujeción **Ⓛ**.
- 18** Vuelva a colocar la bandeja de goteo **Y** y el cajón de accesorios **Z** y cierre la puerta del aparato.

Fallo en el flujo de agua

El filtro en el AquaStop debe limpiarse periódicamente para garantizar un flujo de agua adecuado. Cierre el grifo. Desenrosque del grifo la manguera de entrada de agua con el AquaStop. Limpie el filtro con un cepillo pequeño.

Importante: No retire el filtro bajo ninguna circunstancia. Enrosque la manguera de entrada de agua con el AquaStop en el grifo. Abra lentamente el grifo hasta que esté totalmente abierto. Controle las conexiones y la manguera de entrada de agua en cuanto a fugas. Si el aparato es limpiado y mantenido con regularidad, esto evitará posibles averías.

Remoción del aparato

- Ejecute el programa de vaciado. Consulte el manual de instrucciones.
- Cierre el grifo.
- Desconecte el enchufe de la red eléctrica.
- Desmonte la manguera de entrada de agua y de desagüe.
- Retire todos los tornillos. Véase la instalación.
- Jale el aparato cuidadosamente hacia fuera.
- Retire totalmente el aparato del armario.

Especificaciones técnicas

Conexión eléctrica con tipo de transformador: 8001010566 (tensión – frecuencia)	120 V AC – 60 Hz
Potencia de conexión	1600 W
Presión máxima de la bomba, estática	19 bar
Capacidad máxima del depósito de agua (sin filtro)	81.15 oz (2.4 l)
Capacidad máxima del recipiente de granos de café	1 lb (500 g)
Longitud del cable de alimentación (Enchufe de electricidad – Transformador)	39" (1 m)
Dimensiones (Electrodoméstico sin transformador) alto x ancho x fondo	17 7/8" x 23 3/8" x 14 3/4" (455 x 596 x 375 mm)
Peso, vacía (Electrodoméstico sin transformador)	42-44 lb (19-20 kg)
Dimensiones (sólo el transformador) alto x ancho x fondo	8 1/4" x 6 3/4" x 7 13/16" (210 x 172 x 198 mm)
Peso (sólo el transformador)	27.55 lb (12,5 kg)
Tipo de molinillo	Cerámica

Garantía AQUA-STOP

Además de la garantía normal proporcionada por BSH, BSH también compensará a los clientes por los daños causados por un fallo específico en el sistema AquaStop dando lugar a una reclamación de garantía válida. Se efectuará la compensación bajo las siguientes condiciones:

1. Si el daño por agua es causado por un defecto en los materiales o en la mano de obra en el sistema AquaStop, BSH compensará a los clientes por daños razonables y verificables.
2. Para la aplicación de la garantía es imprescindible que el electrodoméstico con AquaStop haya sido instalado y conectado correctamente de acuerdo con nuestras indicaciones; esto incluye también la prolongación AquaStop (accesorio original) correctamente instalada. La garantía no es aplicable si el daño es provocado por conductos o griferías defectuosos empalmados en la conexión AquaStop del grifo.



1901 Main Street, Suite 600 • Irvine, CA 92614 • 1-800-735-4328
www.thermador.com • © 2018 BSH Home Appliances



8001109325

980911