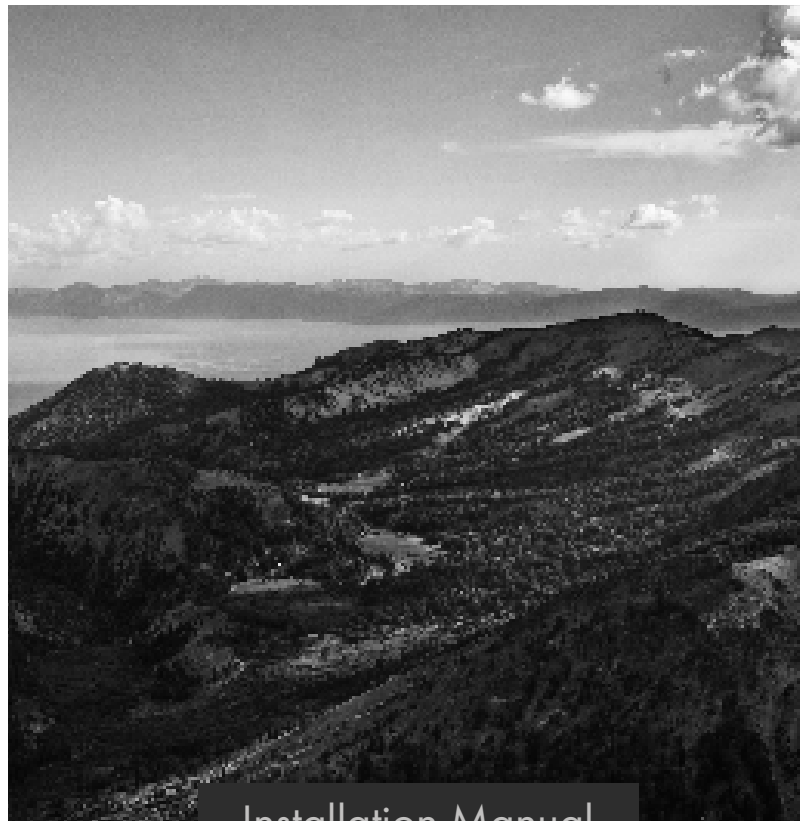


ZLINE

ATTAINABLE LUXURY[®]



Installation Manual

FREESTANDING REFRIGERATION COUNTER-DEPTH RFM MODELS

www.zlinekitchen.com



ZLINE Kitchen and Bath provides Attainable Luxury, where the kitchen and bath of your dreams is never out of reach. Through our unique designs and unparalleled quality, we're dedicated to providing you an elevated experience in the heart of your home. With an endless selection of features and finishes, our inspiration is your reality.

ZLINE
ATTAINABLE LUXURY®



ZLINE is fueled by a passion for innovation; A relentless pursuit of bringing the highest end luxury designs and professional features into everyone's homes.

Because we continually strive to improve our products, we may change specifications and designs without prior notice.

Scan the QR code to view the most up-to-date version of the Installation Manual and User Manual.

⚠ WARNING: This product can expose you to chemicals including nickel, which is known to the State of California to cause cancer. For more information, go to www.P65Warnings.ca.gov.

TABLE OF CONTENTS

IMPORTANT SAFETY INSTRUCTIONS..... 1

BEFORE INSTALLATION 6

INSTALLATION..... 9

WARRANTY 14

IMPORTANT SAFETY INSTRUCTIONS

This unit's installation and user manuals contain important safety information. Failure to follow these instructions may result in death, fire, or electric shock.



WARNING:

Indicates a potentially hazardous situation which, if not avoided, could result in death or serious injury.



CAUTION:

Indicates a potentially hazardous situation which, if not avoided, may result in injury. It may also be used to alert against unsafe practices.



NOTICE:

Indicates a potentially hazardous situation which, if not avoided, may result in damage to the refrigerator, the tableware, the equipment, or the environment.

GENERAL SAFETY

- **WARNING:** Risk of fire/flammable materials.
- This appliance is intended to be used in a household and not a commercial operation.
- Children should be supervised to ensure they do not play with the appliance.
- If the electrical supply cord is damaged, it must be replaced by a professional in order to avoid electric shock hazards.
- Do not store explosive substances, such as aerosol cans with a flammable propellant, in or near this appliance.
- The appliance must be unplugged before carrying out any maintenance or if it will not be used for extended periods of time.
- **WARNING:** Keep ventilation openings in the appliance enclosure or in the built-in structure clear of obstruction.
- **WARNING:** Do not use mechanical devices or other means to accelerate the defrosting process in this unit.
- **WARNING:** Do not damage the unit's refrigerant circuit and sealed cooling system.
- **WARNING:** Do not use electrical or mechanical appliances inside the food storage chambers of the appliance.

IMPORTANT SAFETY INSTRUCTIONS

- **WARNING:** At the end of its service life, dispose of the refrigerator according to local regulations, due to the use of flammable blowing gas and refrigerant.
- **WARNING:** When positioning the appliance at its installation location, ensure the electrical supply cord is not kinked or damaged.
- **WARNING:** Do not use multiple portable electrical outlets or portable power supplies at the rear of the appliance.
- Do not use extension cords or ungrounded (2-prong) adapters when connecting this appliance to electricity.
- **WARNING:** To avoid safety and suffocation risks for children or pets, before you dispose of your old refrigerator or freezer:
 - Take off the doors and drawers.
 - Leave the shelves in place so that children or pets may not climb inside.
- The refrigerator must be fully disconnected from electricity before installing accessories or when servicing the product.
- For refrigerator doors or drawers fitted with locks and keys, the keys should be kept out of the reach of children and not in the vicinity of the appliance in order to prevent children from being locked inside.
- **WARNING:** To avoid any hazards due to instability of the appliance, adjust the height according to the instructions provided in this manual.
- **WARNING:** Connect this appliance only to a potable water supply.
- Do not arbitrarily disassemble or reconstruct the refrigerator. Do not damage the refrigerant circuit or the sealed cooling system. Maintenance of the appliance must be conducted by a professional service person.

IMPORTANT SAFETY INSTRUCTIONS

- To avoid food contamination, please read the following instructions and information:
 - Opening the door for long periods of time can cause a significant increase in the temperatures inside the appliance.
 - Users should regularly clean surfaces and accessible drainage systems that come in contact with food.
 - Clean water tanks if they have not been used for 48 hours, and flush the water system connected to the water supply if water has not been drawn for 5 or more days.
 - Store raw meat and fish in suitable containers in the refrigerator so that it does not contact with or drip onto other food.
 - If the appliance is left empty for long periods of time, you should disconnect from power, defrost, clean, dry, and leave the door open to prevent mold developing within the appliance.
- The gaps between the doors and between the doors and the refrigerator body are small. Do not put your hand in these areas. Be gentle when closing the refrigerator door to avoid food or liquids falling or spilling.
- Do not pick up food or containers with wet hands in the freezer compartment when the refrigerator is running, especially metal containers, to avoid frostbite.
- Do not place heavy objects on the top of the refrigerator. Objects may fall when closing or opening the doors, increasing risk of injury.
- Unplug the appliance from electricity in the event of power failure and when performing routine cleaning. When disconnecting from electricity, wait at least five minutes before plugging back in to prevent damages to the compressor and sealed cooling system due to successive stops and starts.

IMPORTANT SAFETY INSTRUCTIONS

PLACEMENT OF ITEMS

- Do not put flammable, explosive, volatile, or highly corrosive items in the refrigerator or freezer to prevent damage to the product and limit risk of fire or explosion.
- Do not place flammable items near the refrigerator to limit risk of fire or explosion.
- The refrigerator is intended for household use, such as the storage of food; it shall not be used for other purposes, such as storage of blood, drugs, biological products, etc.
- Do not store beer, soda, or other beverages contained in bottles or enclosed containers in the freezing compartment. Bottles or sealed containers may crack or explode due to freezing temperatures and can damage the refrigerator.

ENERGY WARNINGS

- Refrigerating appliances might not operate consistently (for example: defrosting of food or warming temperatures inside the freezer compartment) when set below the cold end of the range of temperatures designed for the appliance.
- Effervescent drinks should not be stored in the freezer compartment or in low-temperature chambers or cabinets. Additionally, some products such as ice water should not be consumed too cold.
- Do not exceed storage time(s) recommended by food manufacturers for any kind of food, particularly for commercially quick-frozen food in the freezer compartment.
- It's recommended to wrap frozen food in several layers of parchment paper or newspaper to prevent an undue rise in the temperature while defrosting the refrigerator.
- An increase in temperature of frozen foods during manual defrosting, maintenance, or cleaning could shorten the storage life of the unit.

IMPORTANT SAFETY INSTRUCTIONS

WARNINGS FOR DISPOSAL

Both the refrigerant (R600a isobutane) and cyclopentane foaming material used for this appliance are flammable. Therefore, when the appliance reaches the end of its service life, it should be kept away from any fire source and be disposed of according to local regulations so as to prevent damage to the environment or other harm.



When the refrigerator is disposed of, disassemble the doors and remove gasket of door and shelves. Put the doors and shelves in a proper place to prevent damage to the environment or any other harm.

Correct disposal of this product: This icon indicates this product should not be disposed with other household wastes. To prevent possible harm to the environment or human health from uncontrolled waste disposal, recycle it responsibly to promote the sustainable reuse of material resources.

BEFORE INSTALLATION



ELECTRICAL CONNECTION

- Do not pull on the power cord unplugging the refrigerator. Firmly grasp the plug and pull out it from the socket directly.
- To ensure safe use, do not damage the power cord or use the power cord when it is damaged or worn.
- Use a dedicated power outlet. The power outlet shall not be shared with any other electrical appliance. The power plug should be firmly connected in the outlet, or else the risk of fire or electrical shock increases.
- The appliance must be grounded. Ensure that the grounding electrode of the power outlet is equipped with a reliable grounding line.
- Using an outlet with a ground fault circuit interrupter (GFCI) is not recommended.
- In the event of a gas leakage or leakage of other flammable gases in your kitchen, immediately turn off the valve of the leaking gas and then open the doors and windows. Do not unplug the refrigerator and/or other electrical appliances if gas is present, as that may spark and cause a fire.
- Do not operate electrical appliances on the top of the appliance or directly adjacent to the appliance.

ENERGY SAVING TIPS

- The appliance should be located out of direct sunlight and in the coolest area of the kitchen, away from heat-producing appliances or heating ducts.
- Let hot foods cool to room temperature before placing them inside the appliance. Overloading the appliance forces the compressor to run longer. Food that freezes too slowly may lose quality or spoil.
- Be sure to wrap food properly and wipe containers dry before placing them in the appliance. This cuts down on frost build-up.
- Refrigerator storage bins should not be lined with aluminum foil, wax paper, or paper toweling. Liners interfere with cold air circulation, making the appliance less efficient.
- Organize and label food to reduce door openings and extended searches. Remove as many items as needed at one time and close the door as soon as possible.

BEFORE INSTALLATION

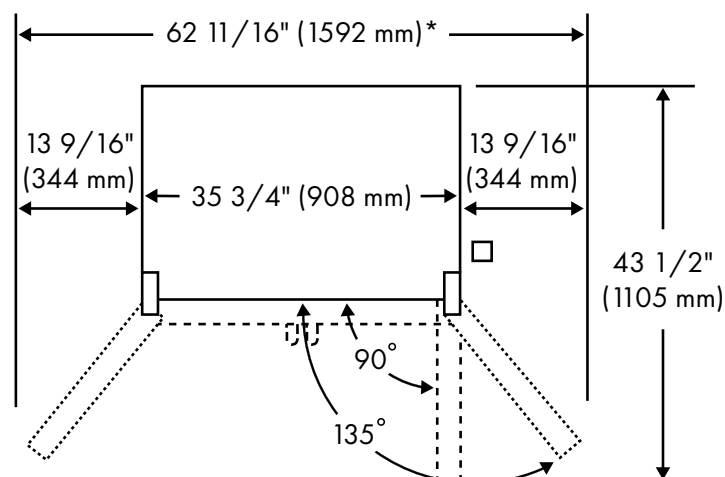
STARTING UP THE APPLIANCE

- If the product has been transported horizontally, you must wait a minimum of 4 hours after standing it upright before plugging it in.
- Before putting in any fresh or frozen food, the refrigerator should run for 2–3 hours or for over 4 hours in the summer when ambient temperatures are high.
- Leave enough space to be able to fully open the doors.

PLACEMENT

- Before preparing the product for use, remove all packing materials, including bottom cushions, foam pads, and tape from inside of the refrigerator. Also, tear off the protective film on the doors and the refrigerator body.
- Keep away from heat and avoid direct sunlight. Do not place the freezer in humid or water-prone areas to prevent rust or reduction of the unit's insulating effect.
- Do not spray the refrigerator with liquids. Do not put the refrigerator in humid or moist places where it can be easily splashed with water, so as not to affect the electrical insulation properties of the refrigerator.
- The refrigerator should be placed in a well-ventilated indoor place, and the ground must be flat and sturdy to allow for premium operation (rotate the adjustable feet for leveling if the unit unstable — see more on page 9).
- The space between the top of the refrigerator and cabinet above should be 2" (51 mm) or greater, and the refrigerator should be placed against a wall with a free distance of more than 2" (51 mm) on the back and a minimum of 1/2" (13 mm) on each side. This facilitates proper heat ventilation.

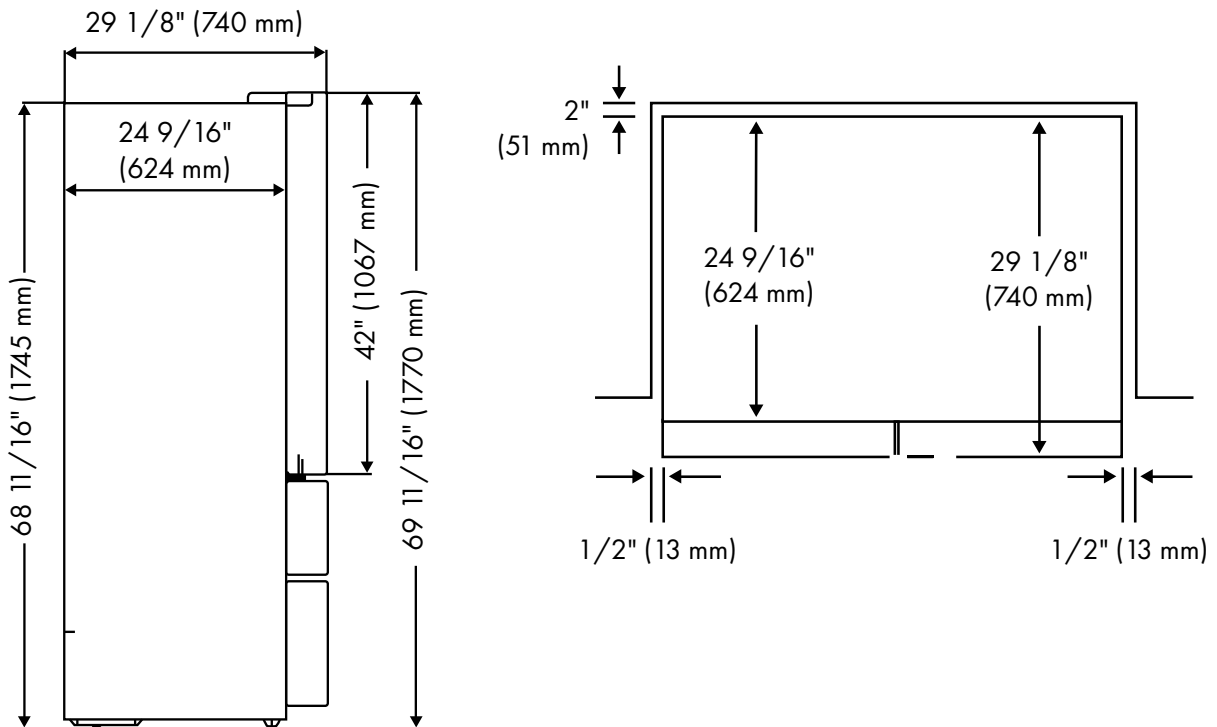
*Working space before sliding into cabinet cut out



BEFORE INSTALLATION

PRODUCT AND CUTOUT SPECIFICATIONS

PRODUCT MEASUREMENT	SIZE
Height	69 11/16" (1770 mm)
Width	35 3/4" (908 mm)
Depth without doors	24 9/16" (624 mm)
Depth with handles	31 7/8" (810 mm)
Depth	29 1/8" (740 mm)
Door open 90° depth	43 1/2" (1105 mm)
Door open 90° width with handles	44 1/4" (1124 mm)
Door open 135° depth	42 3/16" (1072 mm)
Door open 135° width	62 11/16" (1592 mm)



INSTALLATION

RECOMMENDED CABINET CUTOUT DIMENSIONS

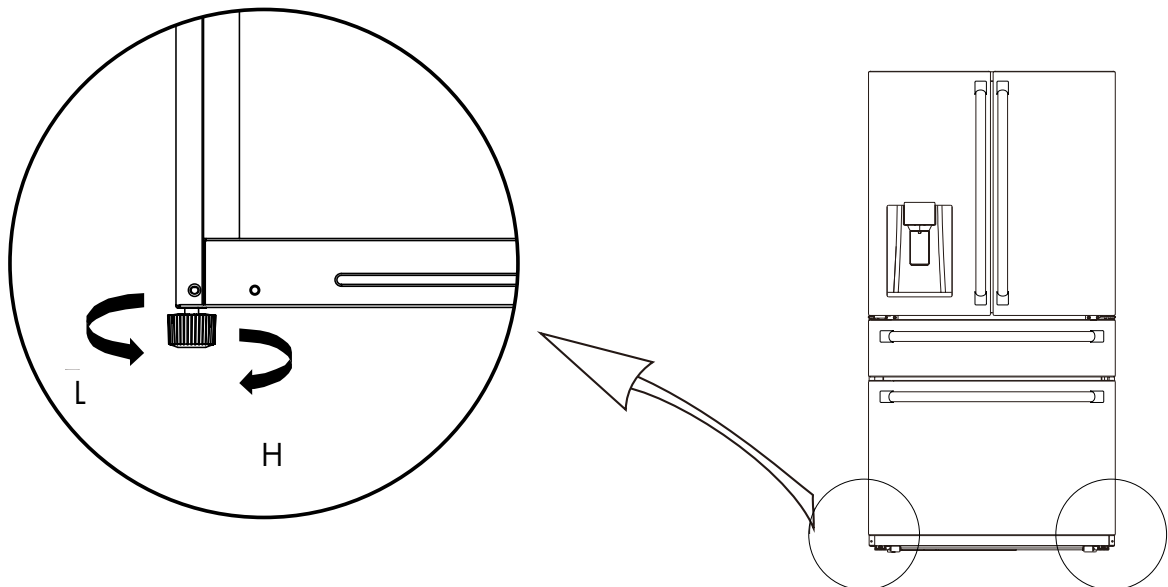
- **Width:** 36 1/4" (921 mm)
- **Depth:** 24" (610 mm)
- **Height:** 71 11/16" (1821 mm)

NOTES

- These dimensions are based off minimum clearances of 2" (51 mm) above the unit for height and 1/2" (13 mm) on each side for width, as noted on page 7.
- For depth, 24" (610 mm) is based off standard kitchen cabinet depths. Due to the need for a minimum clearance of 2" (51 mm) between the unit and the wall, the refrigerator will extend beyond that 24" (610 mm) cabinet depth. This is common for counter-depth refrigerator models to ensure doors can fully open.
- Since kitchen layouts vary, ZLINE recommends consulting with a professional installer to verify cabinet dimensions and electrical connections before installing the appliance.

LEVELING THE FEET

- Turn the feet clockwise to raise (R) the appliance.
- Turn the feet counterclockwise to lower (L) the appliance.
- Adjust the right and left feet accordingly to ensure the appliance is level.

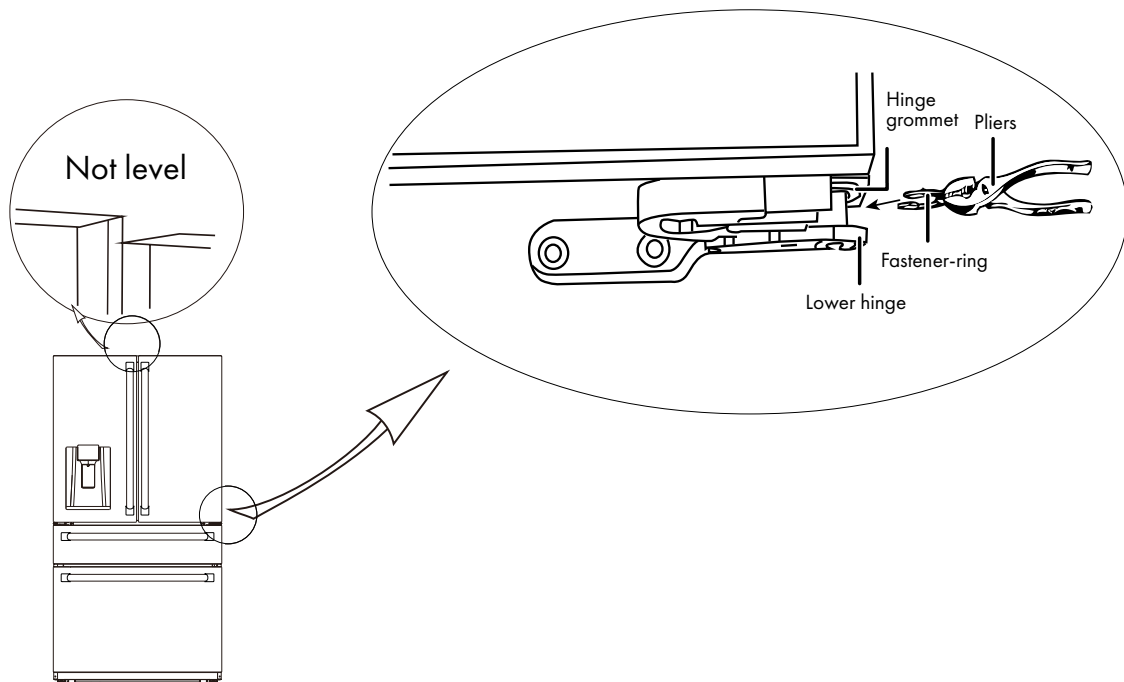


INSTALLATION

LEVELING DOOR

Precautions before operation:

- Disconnect the refrigerator from power before user maintenance.
- Before adjusting the door, take precautions to prevent any personal injury.
- **NOTE:** Pliers are needed.



1. Raise the lower door up to the level of the higher door.
 2. Insert the supplied fastener ring by using pliers in the gap between the hinge-grommet and the lower hinge.
- The number of fastener rings you will need to insert depends on the gap.

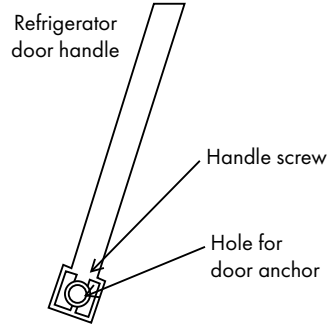
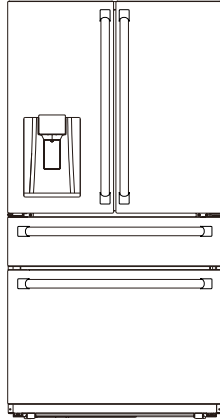
INSTALLATION

INSTALLING DOOR HANDLES



CAUTION

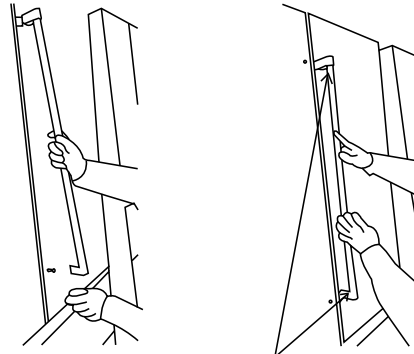
Precautions should be taken to prevent handles from falling and causing personal injury.



1. Screw in anchors to the door with a Phillips-head screwdriver.

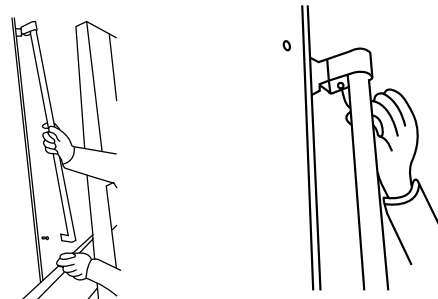


2. Line up and fit the handle into the top and bottom door anchors.



Location of anchor screws

3. Using an Allen/hex wrench, secure in the top and bottom handle screws to the door anchors.



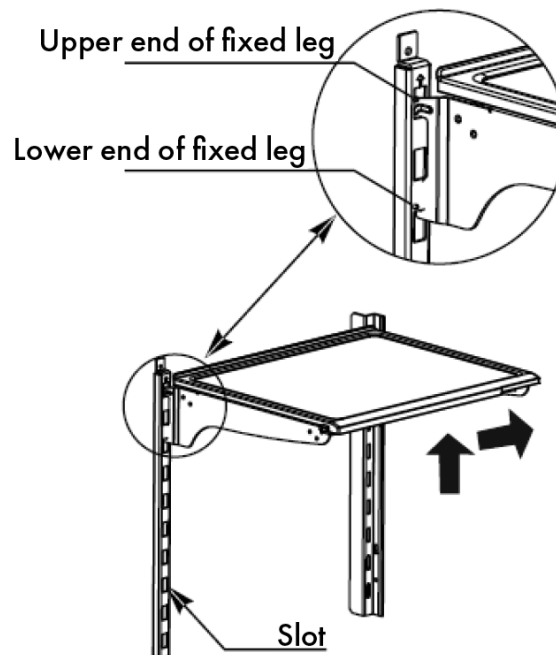
REMOVAL OF DOOR HANDLES

Remove screws and pull hand outward.

INSTALLATION

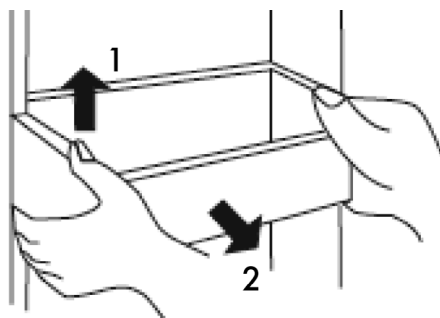
ADJUSTMENT OF SHELVES

- The shelves can be adjusted to multiple heights.
- Adjust the shelves by following the arrows as shown in the diagram. Raise it upward first and then take it out by tilting it upward. During installation, put the upper end of the fixed leg into one of the upper slots on the shelf support bracket first, then put the lower end of the fixed leg into the slot below the top leg.



HEIGHT ADJUSTMENT AND CLEANING OF DOOR-MOUNTED RACK

- Raise the rack in the direction of **Arrow 1** and pull it in the direction of **Arrow 2**.
- After cleaning, you can re-install the rack by reversing the directions above. You can also adjust the height of the rack.



INSTALLATION

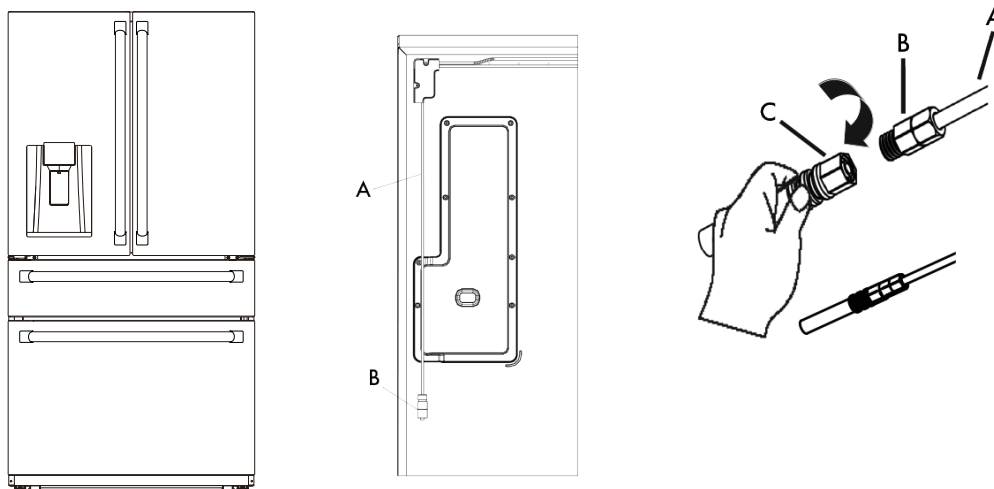
CONNECTING THE WATER LINE

NOTE: Water line installation kits are available at a local hardware store.

1. Turn off the water source, and then attach the new 1/4" stainless steel braided line in the kit to the 1/4" connector to the main water shut-off valve located at the wall behind the refrigerator. Use pliers or a wrench to ensure the connection is snug.
2. Connect the other end of the braided line to the 1/4" to 1/4" brass compression connector that is provided in the water line kit. Take off the other end by unscrewing the brass connector.
3. Slide the female screw connection piece that was taken off of the brass connector and with the brass ring around the base of the plastic water line that extends from the back of and attaches to the refrigerator.
4. Then, take the plastic line, and with the female connection piece, securely tighten it to the brass connector piece. You'll need two wrenches to hold one side while you're turning the other to ensure the connection is snug.
5. Finally, turn on the water supply slowly to make sure there are no water leaks.

NOTE: The middle diagram below shows the plastic water line lying flat against the back of the refrigerator. The format of the line might differ on each unit.

- The minimum inlet water pressure: 147kPa
- The maximum inlet water pressure: 834kPa



Scan to follow along with a video.

WARRANTY

COVERAGE

ZLINE Kitchen and Bath ("ZLINE") counter-depth refrigerators have a one year parts and service warranty and a five year parts warranty on the unit's sealed cooling system.

ZLINE warranty periods begin from the original date of product delivery and solely cover the original purchaser of the product, delivered new and in its original carton. The limited warranty covers all parts and labor for necessary repairs if any part of the product, or the product itself, proves to be defective in materials or workmanship.

The product must be deemed serviceable via troubleshooting with the ZLINE Customer Experience team. All service on ZLINE products under warranty must be performed by ZLINE-approved and ZLINE-certified service providers unless otherwise specified by ZLINE. Service will be provided during normal business hours.

Products must be unobstructed and accessible to the service provider at the time of service. ZLINE's liability is limited to the original purchase price of the product. Additional injuries, losses, damages, or other inconveniences caused by product malfunction or defects in materials are not covered under the terms of this warranty.

TERMS

ZLINE warranties apply only to the original purchaser of a ZLINE product installed for normal residential use. This is defined as a single-family, residential dwelling in a non-commercial setting. Any warranty claim stemming from installation, operation, or any other use within a commercial setting is not covered under this limited warranty. Commercial settings include, but are not limited to: schools, churches, hotels, restaurants, vacation rentals such as Airbnb, daycare centers, private clubs, fire stations, common areas in multi-family dwellings, nursing homes, food service locations, and institutional food service locations such as hospitals or correctional facilities.

This warranty is non-transferable and will not under any circumstance be extended based on the date of installation — the warranty period takes effect from the date of delivery and only covers the original purchaser. The warranty applies only to products installed in the contiguous United States and the District of Columbia.

WARRANTY

Failure to secure certified warranty service per these terms will result in a forfeiture of the remaining warranty. Out-of-pocket payments will not be reimbursed unless prior approval is received from ZLINE and/or ZLINE-certified service contract partners. Unapproved out-of-pocket payments for service will not be reimbursed. All warranty procedures must be followed to maintain warranty coverage.

If a product qualifies within the service window provided under these warranty terms, and ZLINE is unable to repair the product or a defective part of the product after a reasonable number of attempts, ZLINE reserves the right to offer to replace the defective part or the product or provide the original purchaser a full refund of the purchase price of the product (not including installation, removal, or other charges that were not included in the original purchase price).

The original purchaser of the product must provide the original proof of purchase, including the purchase date, when filing a claim to obtain replacement parts, service, or refunds. Additionally, the original purchaser of the product must provide the serial number of the product when filing a claim to obtain replacement parts, service, or refunds.

This warranty shall not apply to any ZLINE product in which the original factory serial number has been removed, altered, or cannot be readily determined for any reason. Further, ZLINE is not responsible for damage resulting from, but not limited to: shipment, delivery, or improper installation; negligence or improper maintenance, misuse, or abuse of the product; unauthorized alteration, modification, or tampering with the product; accident, fire, floods, pest infestations, pandemics, natural disasters, or any other unpreventable or unexplained acts of nature, commonly referred to as "acts of God"; flare-up fires or damages caused by improper electric supply, electrical line current, voltage, or power surges; and service to correct installation not in accordance with the instructions contained in ZLINE's product manuals and/or with local government codes.

In the event service is dispatched, and it is discovered that the reported issue is not covered under warranty based on the disclaimers above, the customer will be responsible for all service fees. Failure to pay these fees will result in the forfeiture of remaining warranty coverage.

WARRANTY

Information contained within ZLINE's installation and user manuals, in addition to product information included on ZLINE's website and all related digital listings, do not cover every possible condition and situation that may occur during the installation or operation of ZLINE products.

ZLINE reserves the right to make changes at any time to its products when considered safe, necessary, and useful. Always check the ZLINE website for the most up-to-date version of its product manuals: www.zlinekitchen.com/pages/manuals.

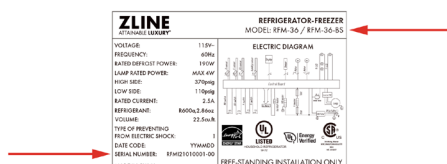
Do not install or operate any ZLINE product if it has missing or broken parts or if it arrives damaged due to shipping. If ZLINE products arrive damaged, contact ZLINE Customer Experience at 1-614-777-5004 for help. Failure to report a damaged appliance prior to installation or operation may void the warranty.

ZLINE disclaims responsibility for damage or injury caused by improper installation or use of any of its products. ZLINE is under no obligation, by law or otherwise, to provide concessions, including repairs, prorates, rebates, discounts, or replacements, once the warranty has expired.

SERIAL NUMBER LOCATION



The rating tag shows the model and serial number of your refrigerator. The product label and rating tag is located inside the unit on the left-hand side, above the crisper drawer compartment. The tag is visible when the refrigerator door is open. Do not remove permanently affixed labels, warnings, or plates from the product. This will void the warranty.



WARRANTY



SERVICE

For warranty service, please contact our Customer Service team at 1-614-777-5004 or visit www.zlinekitchen.com/contact to utilize our online Customer Experience Portal.



Scan the QR code to view the most up-to-date version of our Installation Manual and User Manual.



Need to purchase a part or accessory for your ZLINE product?
Visit www.zlineparts.com, ZLINE's official parts distribution partner.

2.3.0

1-614-777-5004

www.zlinekitchen.com

contact@zlinekitchen.com

ZLINE
ATTAINABLE LUXURY®