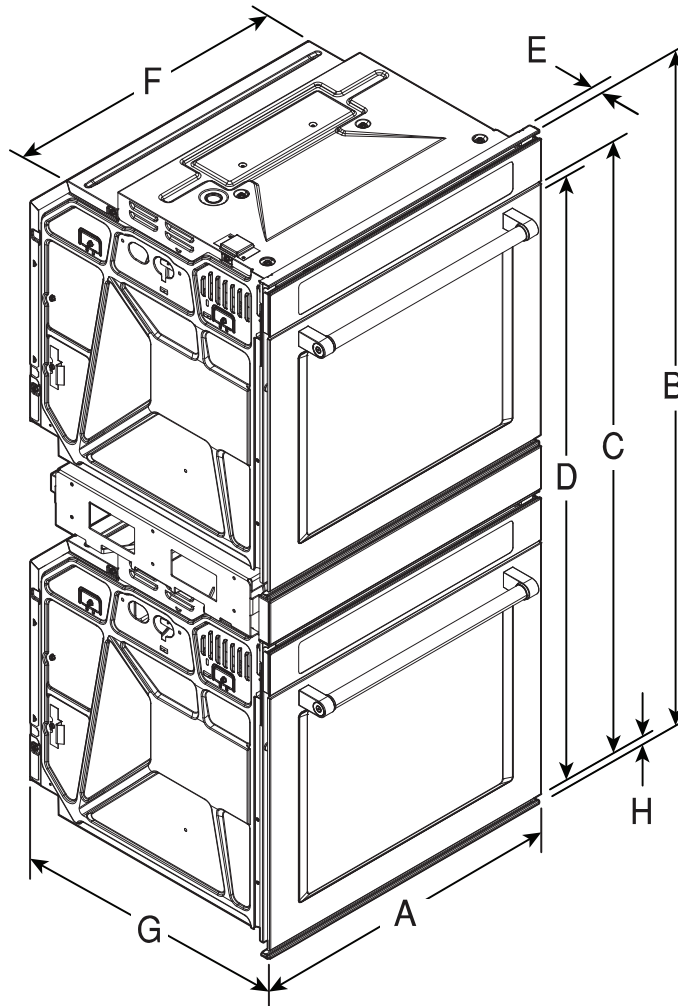


### DOUBLE OVEN

#### PRODUCT DIMENSIONS

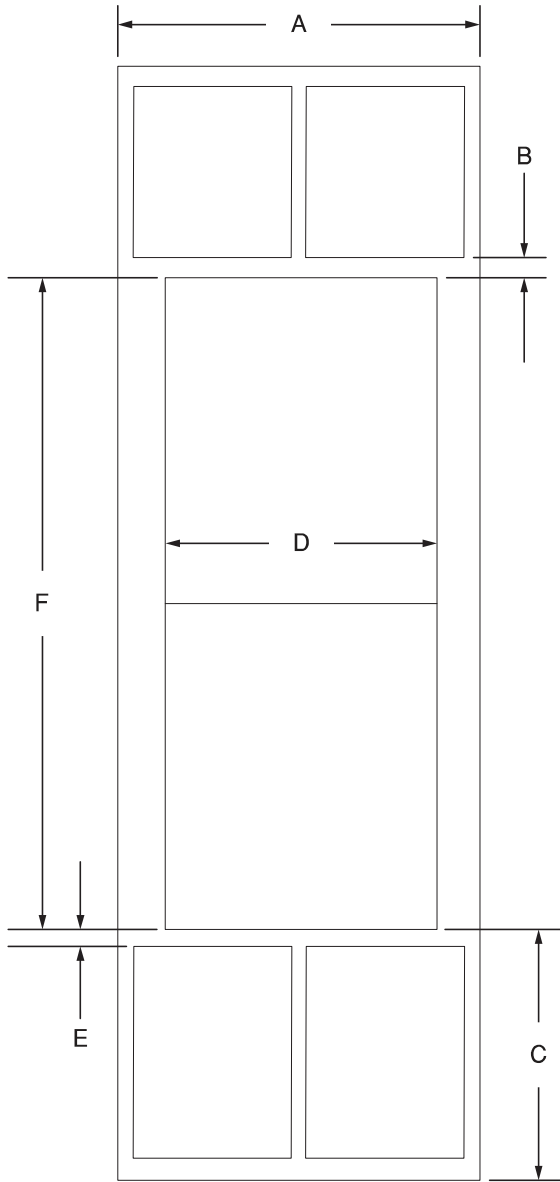
MODEL #		KODC504P*	
Unit of Measurement		in	cm
<b>A</b>	Overall Width	23 <sup>7</sup> / <sub>16</sub>	59.5
<b>B</b>	Overall Height	50 <sup>1</sup> / <sub>4</sub>	127.7
<b>C</b>	Height of Doors	45 <sup>3</sup> / <sub>4</sub>	116.3
<b>D</b>	Height of Door Handles	45 <sup>3</sup> / <sub>16</sub>	114.8
<b>E</b>		7/8	2.2
<b>F</b>	Minimum Cabinet Width	21 <sup>7</sup> / <sub>8</sub>	55.6
<b>G</b>	Overall Depth	22 <sup>1</sup> / <sub>2</sub>	57.2
<b>H</b>		5/8	1.6



**IMPORTANT:** Dimensional specifications are provided for planning purposes only. Do not make any cutouts based on this information. Refer to the Installation Guide before selecting cabinetry, verifying electrical/gas connections, making cutouts or beginning installation. All KitchenAid® appliances are appropriately UL, CUL or CSA approved.

**Double Oven - Traditional Installation**

OPENING/CLEARANCE DIMENSIONS



**FRONT VIEW**

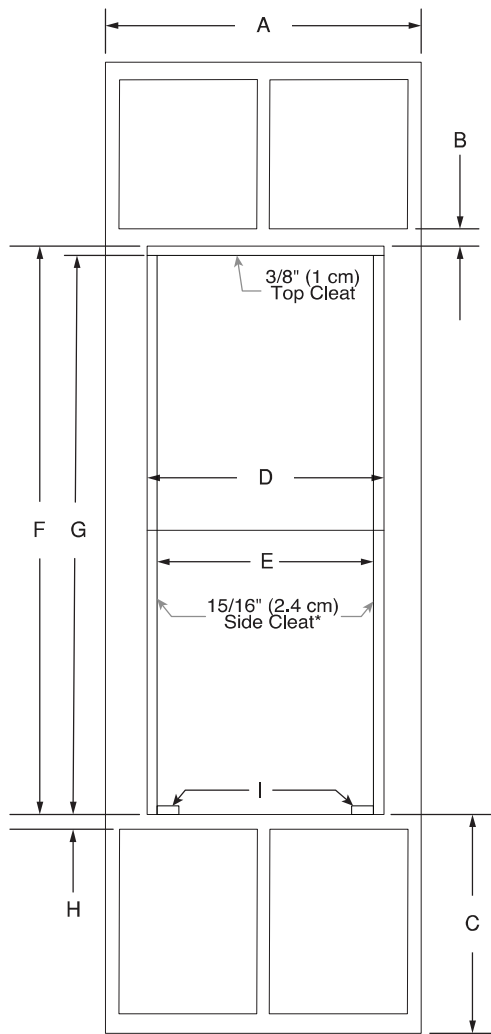
	Unit of Measurement	in	cm
<b>A</b>	Width of Cabinet (minimum)	24	61
<b>B</b>	Top of cutout to bottom of upper cabinet door (minimum)	1	2.5
<b>C</b>	Bottom of cutout to floor	14 <sup>3</sup> / <sub>4</sub>	37.5
<b>D</b>	Width of Cutout	22 <sup>5</sup> / <sub>8</sub>	57.5
<b>E</b>	Bottom of cutout to top of cabinet door (minimum)	1 <sup>1</sup> / <sub>2</sub>	3.8
<b>F</b>	Height of cutout (minimum)	49 <sup>3</sup> / <sub>4</sub>	126.4

**NOTE:** True dimensions are in mm or cm and converted to inches.

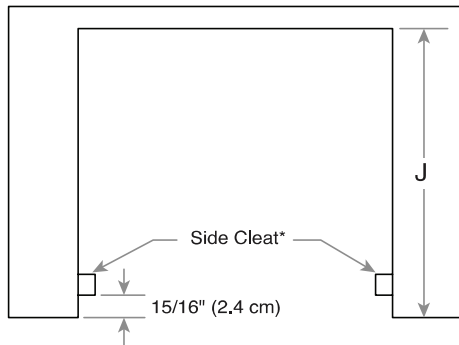
**IMPORTANT:** Dimensional specifications are provided for planning purposes only. Do not make any cutouts based on this information. Refer to the Installation Guide before selecting cabinetry, verifying electrical/gas connections, making cutouts or beginning installation. All KitchenAid® appliances are appropriately UL, CUL or CSA approved.

**Double Oven - Flush Installation**

OPENING/CLEARANCE DIMENSIONS



**FRONT VIEW**



**TOP VIEW**

	Unit of Measurement	in	cm
<b>A</b>	Width of cabinet (minimum)	25 <sup>1</sup> / <sub>16</sub>	63.6
<b>B</b>	Top of cutout to bottom of upper cabinet door	1	2.5
<b>C</b>	Bottom of cutout to floor	14 <sup>3</sup> / <sub>4</sub>	37.5
<b>D</b>	Width of flush insert cutout	23 <sup>11</sup> / <sub>16</sub>	60.1
<b>E</b>	Width of opening	22 <sup>5</sup> / <sub>8</sub>	57.5
<b>F</b>	Height of cutout (minimum)	50 <sup>7</sup> / <sub>16</sub>	128.1
<b>G</b>		50 <sup>1</sup> / <sub>16</sub>	127.1
<b>H</b>	Bottom of cutout to top of cabinet door (minimum)	1 <sup>1</sup> / <sub>2</sub>	3.8
<b>I</b>	Spacer (entire depth of cutout) Height X Width 3/8" x 2" (1 cm X 5.1 cm)		
<b>J</b>	Depth of cutout (minimum)	23 <sup>1</sup> / <sub>4</sub>	59.1

**NOTE:** True dimensions are in mm or cm and converted to inches.

**IMPORTANT:** Dimensional specifications are provided for planning purposes only. Do not make any cutouts based on this information. Refer to the Installation Guide before selecting cabinetry, verifying electrical/gas connections, making cutouts or beginning installation. All KitchenAid® appliances are appropriately UL, CUL or CSA approved.

**DOUBLE OVEN ELECTRICAL REQUIREMENTS**

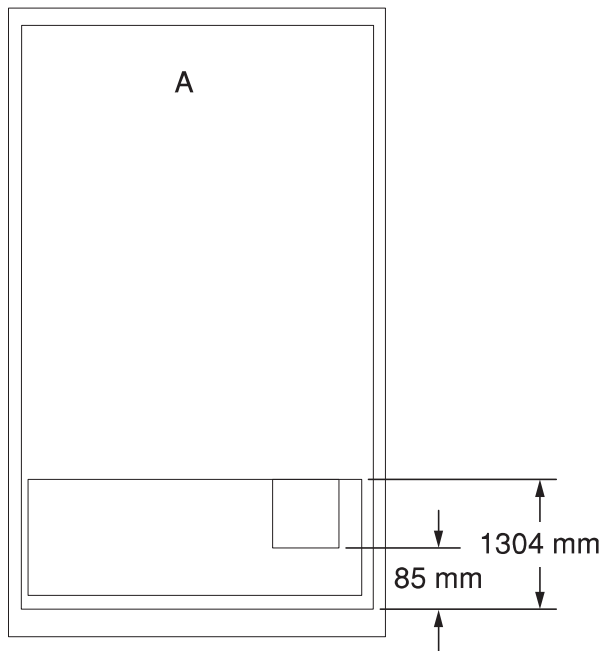
Electrical Requirements Checklist:

- Oven must be connected to the proper electrical voltage and frequency as per table below:

Type of Oven	Model Series	Voltage	Frequency	Rating
Double	KODC504P*	208 V	60 Hz	6.3 kW
		240 V	60 Hz	8.4 kW

- Separate 40 A circuit is required.
- A dedicated circuit breaker is recommended.
- The product is equipped with an electrical conduit that allows to place the Junction Box in the area measured 1304 mm from the bottom of the cabinet to top of the electrical box, across the entire width of the cabinet.
- Electrician may be required to locate junction box out of the defined installation area.

**RECOMMENDED ELECTRICAL OUTLET ZONE**



A. Cabinet Opening

**NOTE:** If you have questions about your electrical supply, call a licensed, qualified electrician.

**IMPORTANT:** Dimensional specifications are provided for planning purposes only. **Do not make any cutouts based on this information.** Refer to the Installation Guide before selecting cabinetry, verifying electrical/gas connections, making cutouts or beginning installation. All KitchenAid® appliances are appropriately UL, CUL or CSA approved.