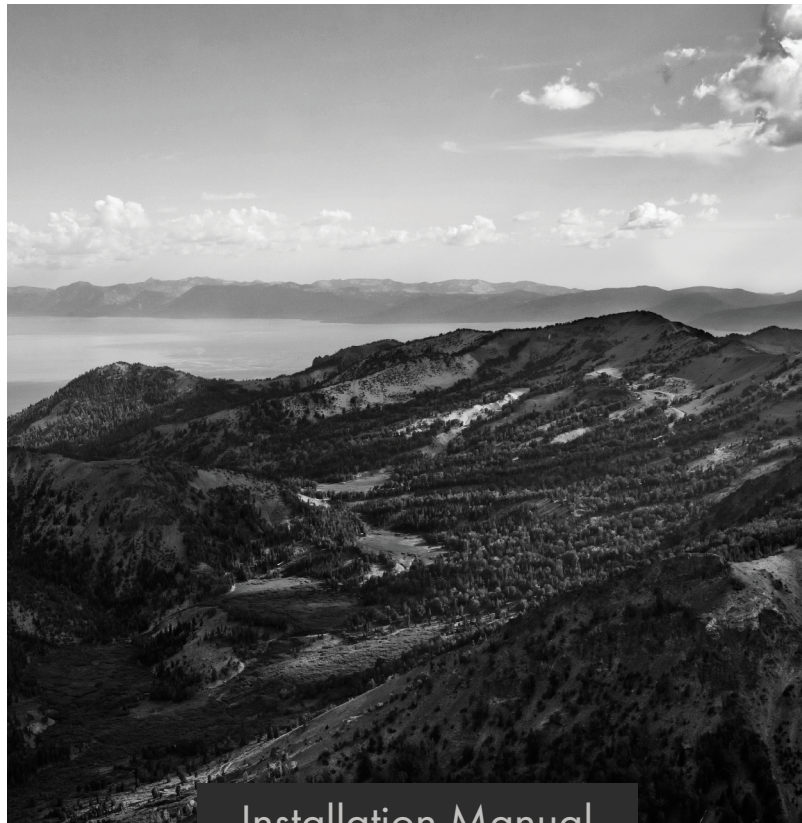


# ZLINE

ATTAINABLE LUXURY<sup>®</sup>



Installation Manual

## INDUCTION RANGES MINR & SINR MODELS

[zlinekitchen.com](http://zlinekitchen.com)



ZLINE Kitchen and Bath provides Attainable Luxury, where the kitchen and bath of your dreams is never out of reach. Through our unique designs and unparalleled quality, we're dedicated to providing you an elevated experience in the heart of your home. With an endless selection of features and finishes, our inspiration is your reality.

**ZLINE**  
ATTAINABLE LUXURY®



ZLINE is fueled by a passion for innovation—a relentless pursuit of bringing the highest end luxury designs and professional features into everyone’s homes.

Because we continually strive to improve our products, we may change specifications and designs without prior notice.

Scan the QR code to view the most up-to-date version of the Installation Manual and User Manual.

**⚠ WARNING:** This product can expose you to chemicals including nickel, which is known to the State of California to cause cancer. For more information, go to [www.P65Warnings.ca.gov](http://www.P65Warnings.ca.gov).

# TABLE OF CONTENTS

<b>IMPORTANT SAFETY INSTRUCTIONS</b>	<b>1</b>
Installation Safety	6
Ventilation Safety	7
Tipping Safety	8
<b>BEFORE INSTALLATION</b>	<b>9</b>
Product Specifications	10
<b>INSTALLATION</b>	<b>14</b>
Dimensions and Clearances	14
Electrical Safety	17
Installing the Anti-Tip Device	19
Installing Parts	20
<b>WARRANTY</b>	<b>23</b>

# IMPORTANT SAFETY INSTRUCTIONS



**WARNING:**  
WARNING

Never Operate the Top Surface Cooking Section of this Appliance Unattended.

- Failure to follow this warning statement could result in fire, explosion, or burn hazard that could cause property damage, personal injury, or death.
- If a fire should occur, keep away from the appliance and immediately call your fire department. **DO NOT ATTEMPT TO EXTINGUISH AN OIL/GREASE FIRE WITH WATER.**



**ATTENTION:**  
WARNING

Ne faites jamais fonctionner la surface de cuisson, sur le dessus de cet appareil, sans surveillance.

- Le non-respect de cette mise en garde pourrait entraîner un incendie, une explosion ou un risque de brûlure et ainsi causer des dommages matériels, des blessures ou la mort.
- Si l'appareil prend feu, tenez-vous à l'écart et appelez immédiatement votre service des incendies. **NE TENTEZ JAMAIS D'ÉTEINDRE UN FEU DE GRAISSE OU D'HUILE EN L'ASPERGEANT D'EAU.**

# IMPORTANT SAFETY INSTRUCTIONS

- **NOTE:** This equipment has been tested and found to comply with the limits for a Class B digital device, pursuant to part 15 of the FCC Rules. These limits are designed to provide reasonable protection against harmful interference in a residential installation. This equipment generates, uses and can radiate radio frequency energy and, if not installed and used in accordance with the instructions, may cause harmful interference to radio communications. However, there is no guarantee that interference will not occur in a particular installation. If this equipment does cause harmful interference to radio or television reception, which can be determined by turning the equipment off and on, the user is encouraged to try to correct the interference by one or more of the following measures:
  - Reorient or relocate the receiving antenna.
  - Increase the separation between the equipment and receiver.
  - Connect the equipment into an outlet on a circuit different from that to which the receiver is connected.
  - Consult the dealer or an experienced radio/TV technician for help.

# IMPORTANT SAFETY INSTRUCTIONS

FCC DECLARATION OF CONFORMITY	
Unique Identifier	
Product Description	ZLINE Induction Range
Model Number	MINR24-A1, MINR30-A1, MINR36-A1
	SINR24-A1, SINR30-A1, SINR36-A1
Trade Name	ZLINE
FCC Compliance Statement	
<p>This device complies with part 15 of the FCC Rules. Operation is subject to the following two conditions: (1) This device may not cause harmful interference, and (2) this device must accept any interference received, including interference that may cause undesired operation.</p>	
<p>This device complies with Part 18 of the FCC Rules.</p>	
Responsible Party – U.S. Contact Information	
Company:	ZLINE Kitchen and Bath, LLC
Address:	350 Parr Circle Reno, NV 89509
Telephone or internet contact information:	<ul style="list-style-type: none"> <li>• 1-614-777-5004</li> <li>• contact@zlinekitchen.com</li> </ul>

# IMPORTANT SAFETY INSTRUCTIONS

- Before beginning installation, please read and follow these important instructions for the safety of your home and the people living in it.
- The manufacturer will not be responsible for any damage to property or to persons caused by incorrect installation, improper use of the appliance, or failure to heed the warnings listed.
- The manufacturer reserves the right to make changes to its products when considered necessary and useful, without affecting the essential safety and operating characteristics.
- This appliance has been designed for non-commercial, domestic use only.
- Please observe all local, state, and national codes and ordinances. Please ensure the range is properly grounded. The plug should always be accessible.
- The installer should leave these instructions with the consumer who should retain for local inspectors' use and for future reference.
- In Massachusetts, installation must be performed by a Massachusetts licensed installer.
- This manual does not cover all possible conditions that may occur during installation and/or operation. Always contact a qualified service technician or the manufacturer about problems you may not understand.
- The installation of appliance designed for manufactured (mobile) home installation must conform with the Manufactured Home Construction and Safety Standard, Title 24CFR, Part 3280 [formerly the Federal Standard for Mobile Home Construction and Safety, Title 24, HUD (Part280)] or with local codes where applicable.

## IMPORTANT SAFETY ALERTS



**DANGER:** When you see this symbol in the instructions, it indicates a hazardous situation which, if not avoided, could result in death or serious injury.



**WARNING:** When you see this symbol in the instructions, it indicates a hazardous situation which, if not avoided, could result in minor or moderate injury.

# IMPORTANT SAFETY INSTRUCTIONS



**DANGER**

## USE CARE WHEN UNPACKING THE PRODUCT

- Remove all tape and packaging before using the appliance, including plastic zip ties securing the oven racks.
- Carefully dispose of the product's shipping box, plastic bags, and all other packing materials after the appliance is unpacked.
- Boxes covered with rugs, bedspreads, sheets, or other materials can become air-tight chambers. Never allow children to play with packaging material.
- Remove all staples from the box. Staples can cause cuts and destroy finishes if they come in contact with other appliances or furniture.
- Do not remove the model/serial plate attached to the appliance; doing so will not only void the product warranty, it will limit the ability for future service to be conducted on the range in an effective manner.



**WARNING**

Installation and service on this product must be performed by a qualified installer or servicer. Ask the manufacturer to recommend a qualified technician and authorized repair service in your area.

- Do not repair or replace any part of the appliance unless specifically recommended in this manual. All other servicing should be done only by a qualified technician. This may reduce the risk of personal injury and damage to the appliance.



**DANGER**

Always disconnect power when servicing this product, especially for larger-scale repairs impacting important appliance functionality; failure to do so increases the risk of fire, explosion, injury, or death.

# IMPORTANT SAFETY INSTRUCTIONS

## INSTALLATION SAFETY

- Never modify or alter the construction of the appliance by removing panels, wire covers, or any other part of the product.
- If the appliance is located near a window, NEVER hang long curtains or paper blinds on that window. They could blow over the cooking surface and ignite, potentially causing a fire hazard.
- Ensure the kitchen or room where the appliance is installed is well ventilated by keeping the air intakes open and in good working order and/or by installing a ventilation range hood above the unit. It's recommended a hood is installed between 30" and 36" (762 mm and 914 mm) above the cooktop to allow for optimal air flow.



**An air curtain or other overhead range/range top hood, which operates by blowing downward airflow onto the range, shall not be used/installed in conjunction with this range.**

- If the appliance is used intensively for a long time, the effectiveness of the ventilation will have to be increased, for example by opening a window or increasing the power of the range hood operating above.
- Flammable materials and liquids should not be stored on the appliance or near surface units. This includes paper, plastic, and cloth items, as well as cookbooks, plastic ware, and towels. Do not store explosives such as aerosol cans on or near the appliance. Flammable materials may explode and result in fire or property damage.
- Keep the appliance area clear and free from combustible materials, gasoline, and other flammable vapors and liquids.
- Flammable materials should not be stored in the oven or near surface units.



## **STATE OF CALIFORNIA PROPOSITION 65 WARNINGS**

- The California Safe Drinking Water and Toxic Enforcement Act requires the Governor of California to publish a list of substances known to the state to cause birth defects or other reproductive harm and requires businesses to warn customers of potential exposure to such substances.

# IMPORTANT SAFETY INSTRUCTIONS



## VENTILATION SAFETY

### WARNING

- The appliance should have proper ventilation in order to keep the unit operating properly and maintain the temperature of immediate surroundings. Do not obstruct flow of ventilation air.
- Observe all governing codes and ordinances, and check your local building codes as they may vary from the general rules outlined in this manual.
- It is the installer's responsibility to comply with installation clearances specified on the model/serial rating plate, in addition to within this Installation Manual.
- The appliance should be located for convenient use in the kitchen; recessed installations must provide complete enclosure of the sides and rear of the range.
- To eliminate risk of burns or fire by reaching overheated surface units, cabinet storage space located above the range should be avoided. This risk can be further reduced by installing a range hood or microwave hood combination that projects horizontally a minimum of 5" (127 mm) beyond the bottom of the cabinets.
- If a ventilation range hood is installed with appropriate ducting, maintain a 30" (762 mm) minimum clearance between the cooking surface and bottom of the hood.
- Always turn on the ventilation range hood when the range is in use.
- Avoid placing cabinetry directly above the appliance when possible. If cabinetry is used above the cooking surface, use cabinets no more than 13" (330 mm) deep.
- Contact a service technician and/or a qualified floor covering installer to check that wall coverings, countertops, and cabinets located around the appliance can withstand at least 200 °F (93 °C).



### DANGER

Explosion hazard conditions will exist unless you perform ALL of the following; failure to do so can result in death, explosion, or fire.

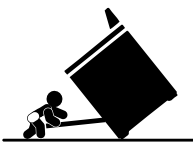
- Examples of a qualified person include:
  - Licensed heating personnel
  - Authorized service personnel
- Observe all governing codes and ordinances.

# IMPORTANT SAFETY INSTRUCTIONS



## TIPPING SAFETY

DANGER

	<div data-bbox="718 504 813 593"></div> <div data-bbox="829 526 1117 571"><h3>TIP-OVER HAZARD</h3></div> <div data-bbox="718 571 813 604"><p>WARNING</p></div> <ul data-bbox="446 638 1388 1008" style="list-style-type: none"><li>• A child or adult can tip the range and be killed.</li><li>• Install anti-tip device to range and/or structure per installation instructions.</li><li>• Engage the range to the anti-tip device installed to the structure.</li><li>• Re engage anti-tip device if range is moved.</li><li>• Failure to follow these instructions can result in death or serious burns to children and adults.</li></ul>
---	--

- Ensure the anti-tip device is re-engaged when the range is moved by following the same steps outlined on this page and on page 19.
- Carefully pull on the range from the rear. If the brackets are installed correctly, the range will not tip more than 4" (102 mm) from the wall. If it tips forward more than 4" (102 mm), the anti-tip device has not been installed correctly.



**DO NOT TIP THE RANGE MORE THAN 4" (102 mm) FROM THE WALL AS IT COULD TIP OVER AND CAUSE INJURY.**

DANGER

- Never completely remove the leveling legs or the range may not be secured to the anti-tip device properly. NEVER step or sit on the door.
- The range will not tip during normal use. However, without a properly fastened anti-tip bracket, the range can tip if too much force or weight is applied to the open door.

# BEFORE INSTALLATION

## TOOLS NEEDED (INCLUDED)

Allen wrench / hex key (for handle installation)



## TOOLS AND ADDITIONAL PARTS NEEDED (NOT INCLUDED)

- Tape measure
- Phillips head screwdriver
- Flathead screwdriver
- Nut driver/socket wrench
- Level
- Drill
- Wrench
- Pliers
- Adjustable wrench
- Drill bits
- Marker or pencil



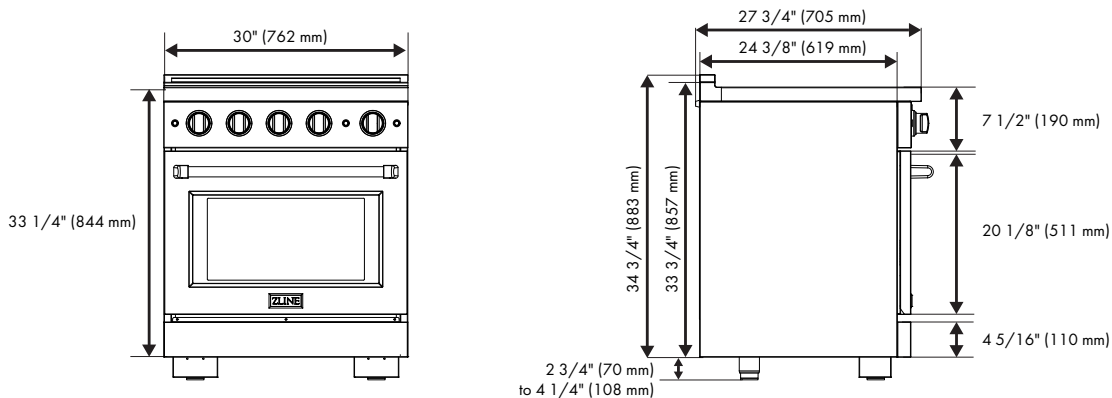
Scan to follow along with a video to review how to assemble your range.

**NOTE:** The range in the video is of an SDR36 series range; check your range cover to see which elements apply to your range.

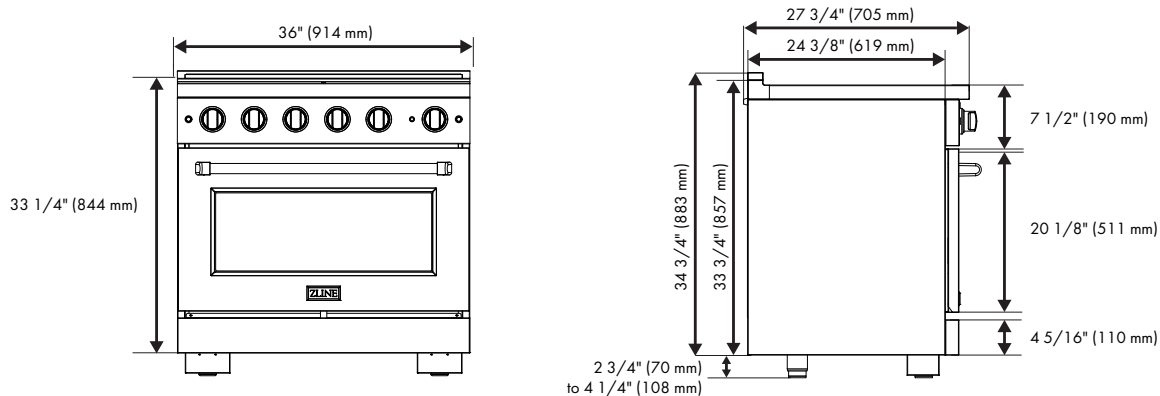
# BEFORE INSTALLATION

## PRODUCT SPECIFICATIONS

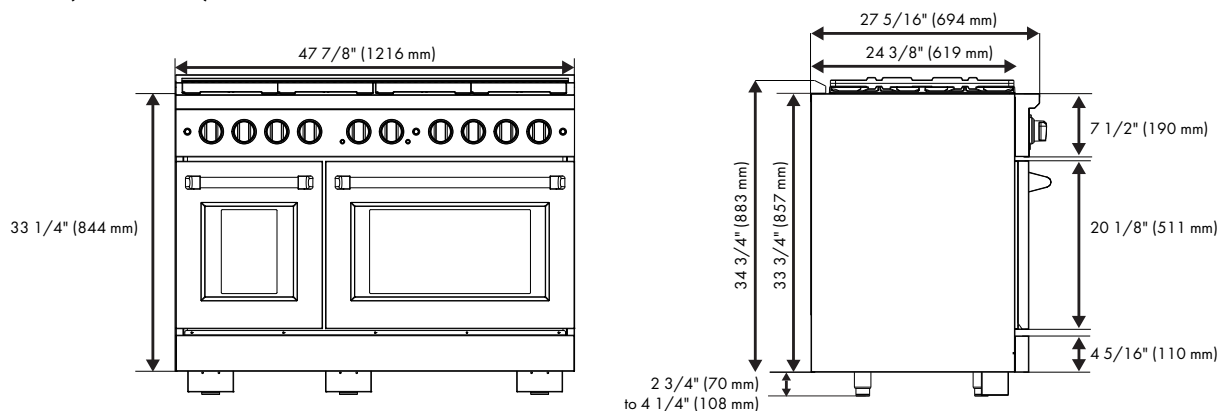
### 30" (762 mm) models



### 36" (914 mm) models



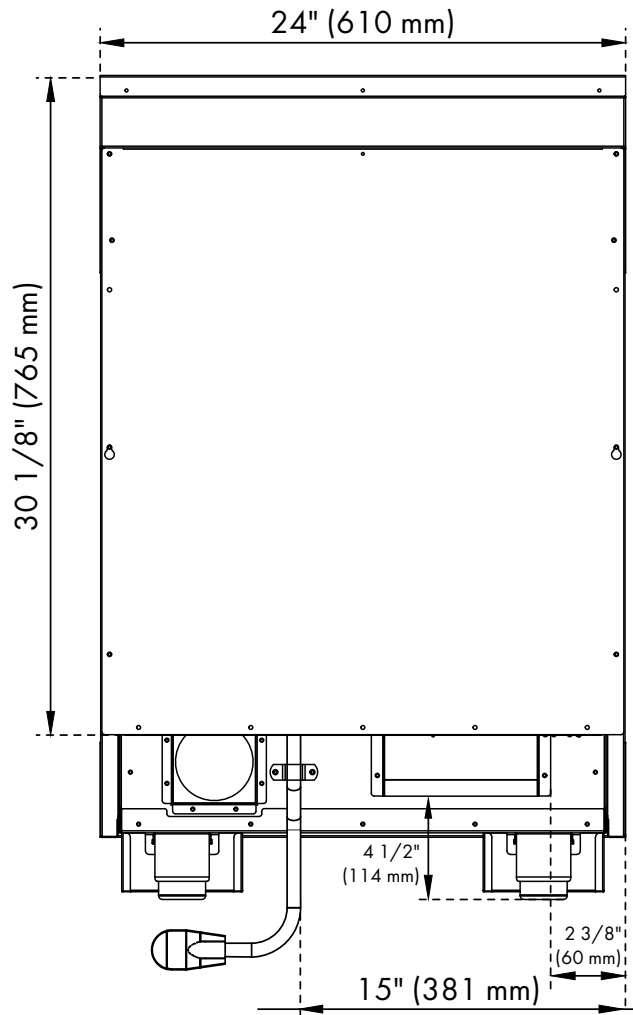
### 48" (1219 mm) models



# BEFORE INSTALLATION

## PRODUCT SPECIFICATIONS

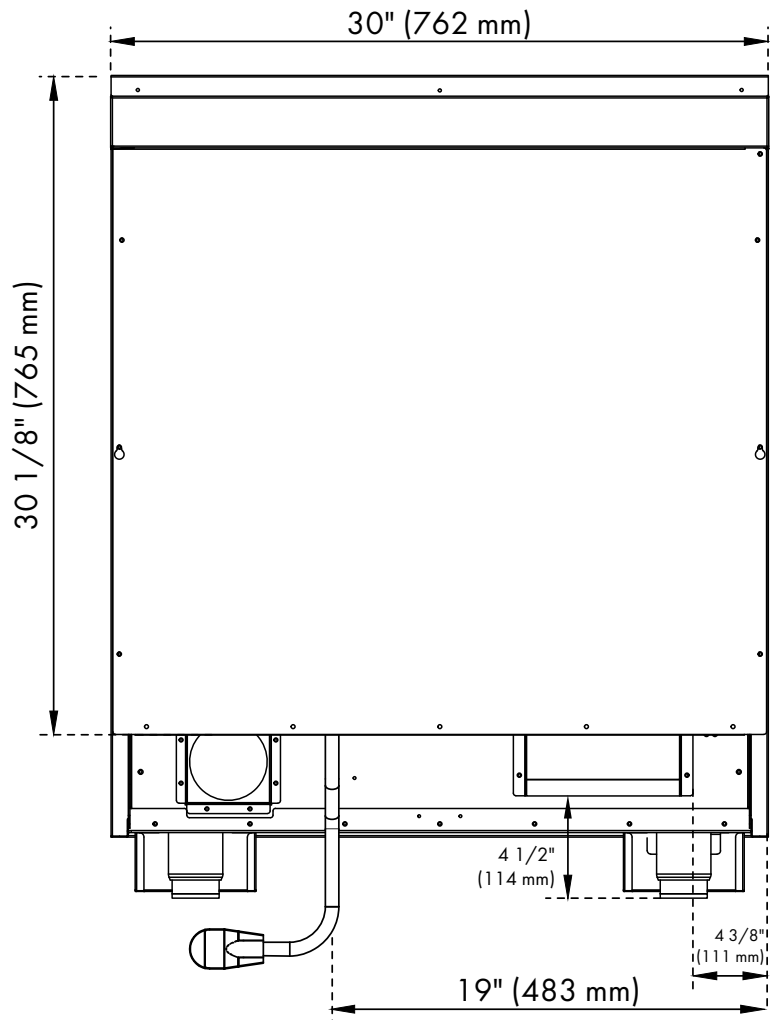
24" (610 mm) models



# BEFORE INSTALLATION

## PRODUCT SPECIFICATIONS

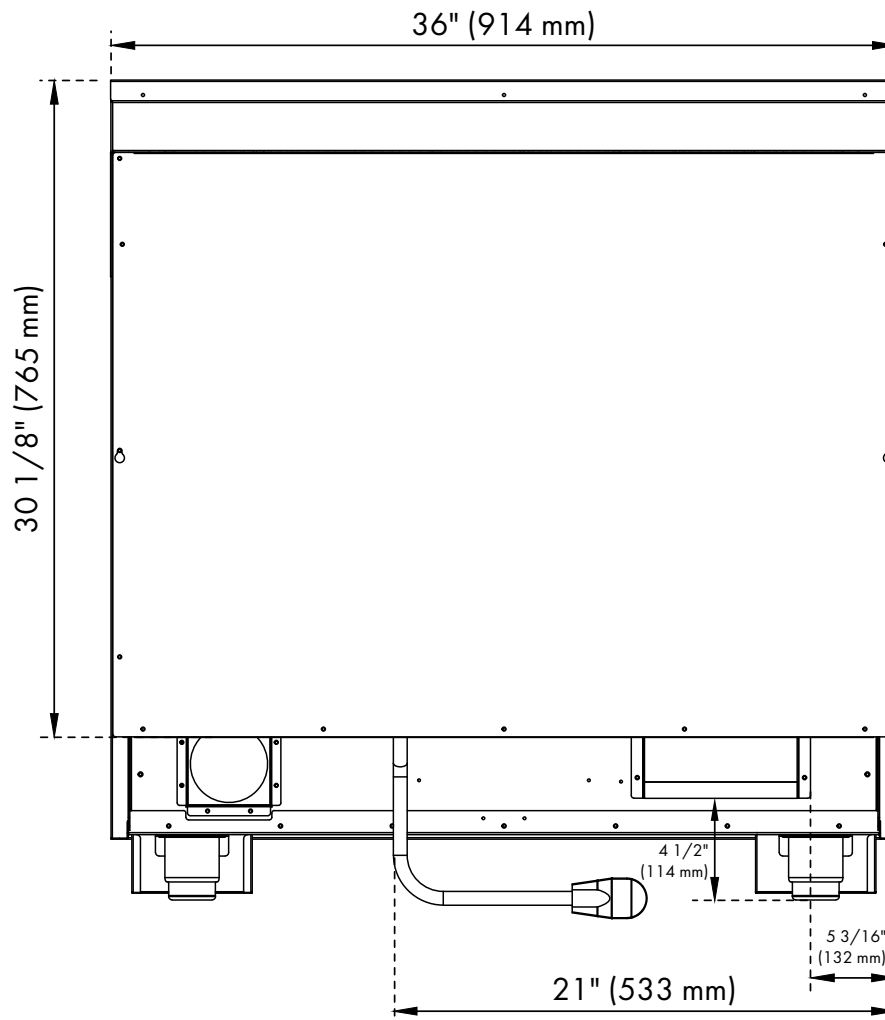
30" (762 mm) models



# BEFORE INSTALLATION

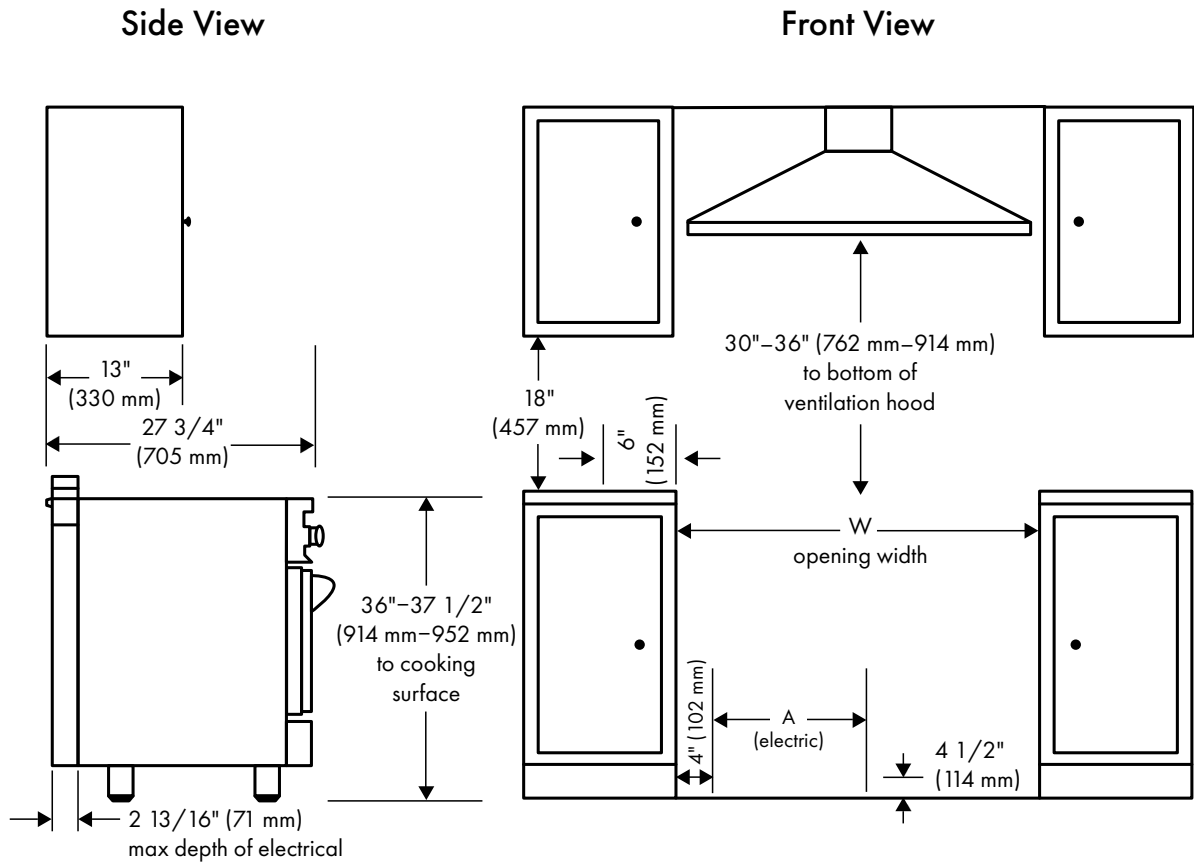
## PRODUCT SPECIFICATIONS

36" (914 mm) models



# INSTALLATION

## DIMENSIONS AND CLEARANCES



Range Series	W (opening width)	A (available space - electric)
24" (610 mm) models	24 1/4" (616 mm)	15" (381 mm)
30" (762 mm) models	30 1/4" (768 mm)	19" (483 mm)
36" (914 mm) models	36 1/4" (921 mm)	21" (533 mm)

**NOTE:** If a ventilation range hood is NOT installed above the range, a minimum clearance of 42" (1067 mm) is required between the cooktop and combustible surfaces above.

# INSTALLATION

## RECOMMENDED CABINET CUT-OUT DIMENSIONS

RANGE SERIES	CUT-OUT DIMENSIONS
24" (610 mm) models	24 1/4" W x 24 3/4" D x 36" H
	616 mm W x 629 mm D x 914 mm H
30" (762 mm) models	30 1/4" W x 24 3/4" D x 36" H
	768 mm W x 629 mm D x 914 mm H
36" (914 mm) models	36 1/4" W x 24 3/4" D x 36" H
	921 mm W x 629 mm D x 914 mm H

### NOTES:

- **Width:** Recommended cut-outs allow for 1/8" (3 mm) of space on each side; your kitchen layout may vary slightly, so plan accordingly.
- **Depth:** This is recommended beyond the standard cabinet depth of 24" (610 mm) so the front face of the oven sticks out from the counter to fully and safely open the door for optimal use. The additional 3/4" (19 mm) accounts for full depth of the range as well as the rubber bumpers on the back so the range may be pushed flush to the wall.
- **Height:** This is recommended based on standard cabinet heights of 36" (914 mm). Please note: 36" (914 mm) is based on the legs being at their lowest level; the legs can be adjusted by roughly 1 1/2" (38 mm) depending on your preferred height. Again, kitchen layouts vary.



The use of cabinets for storage above the appliance may result in a potential fire hazard. Combustible items may ignite; metallic items may become hot and cause burns. If cabinet storage is necessary, the risk can be reduced by installing a range hood that projects horizontally a minimum of 5" (127 mm) beyond the bottom of the cabinets.

# INSTALLATION

## RANGE PLACEMENT

- The dimensions shown on page 14 must be used. Given dimensions are minimum clearances from combustible surfaces. For additional cabinet cut-out details, see page 15.
- Working areas adjacent to the appliance should have 18" (457 mm) minimum clearance between countertop and cabinet bottom (see diagram on page 14 for reference).
- All openings in the wall or floor where appliance will be installed must be sealed.
- The floor anti-tip device must be installed. To install the anti-tip device shipped with the range, see "Installing The Anti-Tip Device" on page 19.
- A grounded electrical supply is required. See the next page for requirements and additional safety precautions.
- Reference the diagram on page 14 for the appropriate locations for electrical hookups. Electrical cord length for all ranges and sizes is 4' - 48" (1219 mm).
- The range should only be installed below ducted ventilation hoods. Do not install with a downdraft ventilation system.



**WARNING**

The range may not sit flush to the back wall if the electrical connections are installed outside of these dimensions.



**WARNING**

It is the responsibility of the installer to ensure the appliance is properly adjusted at the time of installation. Situations caused by improper adjustments or improper installation are not covered under warranty.



**WARNING**

Items of interest to children should not be placed in cabinets above the range. Children climbing on the range to reach items could be seriously injured or burned.

# INSTALLATION

## ELECTRICAL SAFETY



**DANGER**

### **ELECTRIC SHOCK HAZARD**

- Failure to follow these instructions can result in death, fire, or electrical shock.
- Any additions, changes, or conversions required to properly operate this appliance must be made by a qualified service technician in accordance with the manufacturer's instructions and all codes and requirements of the local governing authority.
- Failure to follow the instructions could result in serious injury or property damage. The qualified agency performing this work assumes responsibility for the conversion.
- **DO NOT** operate this appliance using a 2-prong or 3-prong adapter. **DO NOT** use an extension cord. If a 2- or 3-prong wall receptacle is the only available outlet, it is the responsibility of the consumer to have it replaced with a properly grounded 4-prong wall receptacle installed by a qualified electrician.
- Severe shock or damage to the range may occur if the appliance is not installed by a qualified installer or electrician.

# INSTALLATION

This induction range requires a 120/240 V, single-phase, 60 Hz electrical supply and must be connected to a properly grounded 4-wire system. Refer to the table below for model-specific circuit requirements.

ELECTRICAL REQUIREMENTS *			
Range Series	Electrical Supply	Circuit	Wattage
24" (610 mm) series models	120/240 V, 60 Hz, 4-wire connection required. Not compatible with 120 V-only circuits.	50 A Minimum Dedicated Circuit (2-pole)	11.9 KW
30" (762 mm) series models			
36" (914 mm) series models			12.5 KW

- Factory-equipped with a NEMA 14-50P (4-prong) plug.
- Connect to a matching NEMA 14-50R receptacle only.
- Do not modify the plug or use adapters.
- Do not connect to a 3-wire circuit.
- Appliance must be grounded in accordance with NEC and local codes.
- A neutral (grounded conductor) is required and must not be bonded to the appliance frame.
- Provide GFCI protection where required by code.
- Plug the unit in after anti-tip bracket installation



**Label all wires prior to disconnection when servicing controls. Wiring errors can cause improper and dangerous operation. Verify proper operation after servicing.**



**The electrical socket must be easily accessible with the appliance installed. In all cases, the power supply lead must be positioned so that it does not reach a temperature of 122 °F (50 °C) above the room temperature at any point.**

# INSTALLATION

## INSTALLING THE ANTI-TIP DEVICE

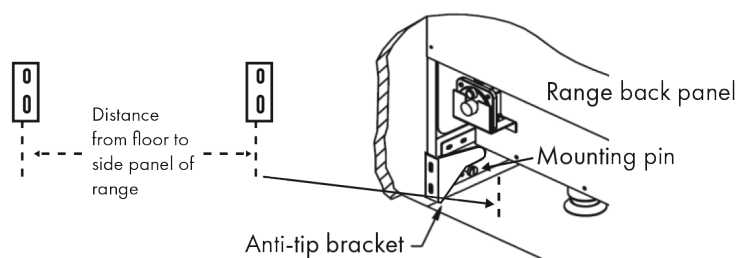


A child or adult can tip the range and be seriously injured or killed. Do not operate the range without the anti-tip device in place. Failure to follow these instructions can result in death or serious burns to children and adults.



Scan to follow along with a video.

1. After determining the final installation location within your cabinet, raise or lower the feet of the range to desired height and slide the range forward to access the back wall.
2. Secure each anti-tip bracket to the back wall by drilling 2 holes for each and fasten with the 4 provided screws, making sure the mounting side of the bracket faces toward the cabinet, as outlined in the right image below. For concrete or tile, tap 4 anchors into the drilled holes with a hammer, then fasten the bracket with the provided screws.
3. To determine proper height for each bracket, measure from the floor to the bottom of each side panel as outlined in the images below. Ensure both brackets are level.
4. Screw in the mounting pins provided with the anti-tip bracket kit into each side of the range within the bottom oven recess at left and right.
5. For reference, the width of the 30" (762 mm) models oven bottom recess is 28 1/4" (718 mm). Installing both brackets so the mounting side of the bracket faces toward the cabinet should allow both to fit comfortably within that 28 1/4" (718 mm) oven recess. For the 36" (914 mm) models, the recess width is 34 1/4" (870 mm). However, cabinet cutouts vary by kitchen, so be sure to carefully measure before securing the brackets.
6. Slide the range back toward the wall, then safely tilt the front of the range upward slightly and move it back to its final resting place, making sure the mounting pin slides under bracket, as outlined below.



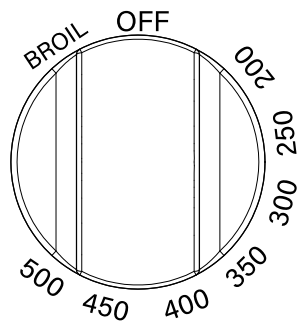
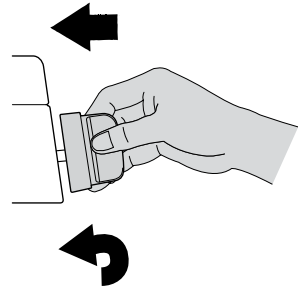
Carefully pull on the range from the rear. If the anti-tip device is installed correctly, the mounting pin will make contact with the bracket and the range will not tip more than 4" (102 mm) from the wall.

# INSTALLATION

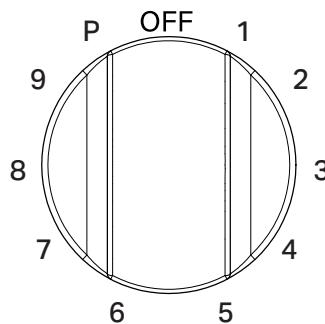
## INSTALLING PARTS

### RANGE KNOBS

- To install knobs, hold each in the "OFF" position and carefully push them straight onto the switch mechanisms protruding from the front of the cooktop until snug.
- The oven knob goes on the far right switch, with individual burner knobs on the left switches.
- 24" (610 mm) models have 4 knobs.
- 30" (762 mm) models have 5 knobs.
- 36" (914 mm) models have 6 knobs.



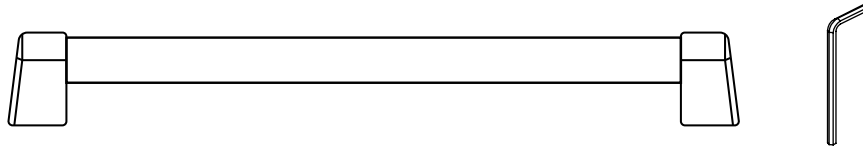
Oven Knob



Surface Burner Knob

# INSTALLATION

## INSTALLING THE HANDLE

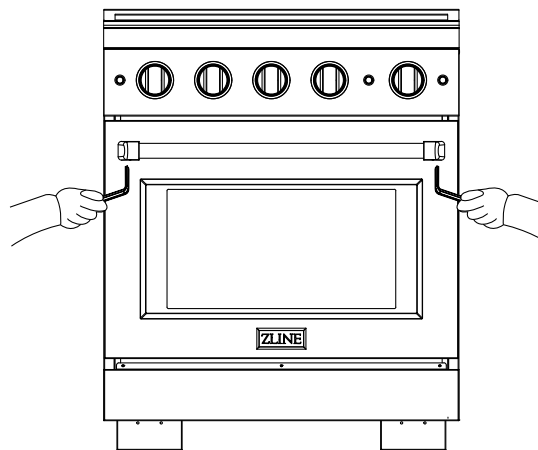
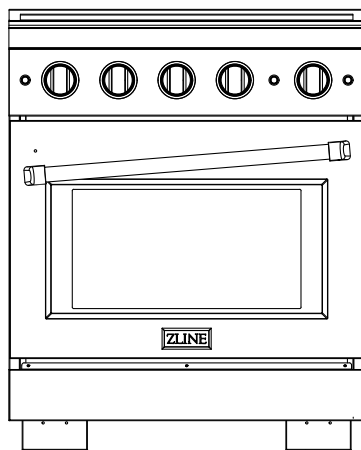


- To install the handle on the oven door, place each handle bracket onto the pre-installed mounting studs located at both sides of the oven door, as outlined below in the left image below.
- Once the handle is secured, locate the screw holes on the underside of each handle bracket base. Using the provided 1/8" (3 mm) Allen wrench / hex key, tighten the left and right screws until the handle is firmly in place, as outlined below in the right image.
- The handle should be perfectly level if installed correctly.



**WARNING**

Use care to not overtighten, or you risk stripping the screws and then your handle may be unstable or fall off, increasing the risk of injury or burns.



**WARNING**

Do not lift the unit by the oven door handle. Doing so increases risk of personal injury and may damage the range, its door, or the door handle, and as such may void the product warranty.

# INSTALLATION

## FINAL CHECKLIST

- Check to make sure the range does not tip more than 4" (102 mm).
- Using a level, check that the range is even with the countertop and level, or uneven baking may result.

**NOTE:** The installer should leave these instructions with the consumer who should retain for local inspectors' use and for future reference. Installers and consumers should refer to the User Manual for additional safety measures, operation tips, and troubleshooting.

# WARRANTY

## COVERAGE

ZLINE Kitchen and Bath ("ZLINE") induction ranges have a one year parts and service warranty.

ZLINE warranty periods begin from the original date of product delivery and solely cover the original purchaser of the product, delivered new and in its original carton. The limited warranty covers all parts and labor for necessary repairs if any part of the product, or the product itself, proves to be defective in materials or workmanship. The product must be deemed serviceable via troubleshooting with the ZLINE Customer Experience team. All service on ZLINE products under warranty must be performed by ZLINE-approved and ZLINE-certified service providers unless otherwise specified by ZLINE. Service will be provided during normal business hours. Products must be unobstructed and accessible to the service provider at the time of service. ZLINE's liability is limited to the original purchase price of the product. Additional injuries, losses, damages, or other inconveniences caused by product malfunction or defects in materials are not covered under the terms of this warranty.

## TERMS

ZLINE warranties apply only to the original purchaser of a ZLINE product installed for normal residential use. This is defined as a single-family, residential dwelling in a non-commercial setting. Any warranty claim stemming from installation, operation, or any other use within a commercial setting is not covered under this limited warranty. Commercial settings include, but are not limited to: schools, churches, hotels, restaurants, vacation rentals such as Airbnb, daycare centers, private clubs, fire stations, common areas in multi-family dwellings, nursing homes, food service locations, and institutional food service locations such as hospitals or correctional facilities.

This warranty is non-transferable and will not under any circumstance be extended based on the date of installation — the warranty period takes effect from the date of delivery and only covers the original purchaser. The warranty applies only to products installed in the contiguous United States and the District of Columbia. Failure to secure certified warranty service per these terms will result in a forfeiture of the remaining warranty. Out-of-pocket payments will not be reimbursed unless prior approval is received from ZLINE and/or ZLINE-certified service contract partners. Unapproved out-of-pocket payments for service will not be reimbursed. All warranty procedures must be followed to maintain warranty coverage.

# WARRANTY

If a product qualifies within the service window provided under these warranty terms, and ZLINE is unable to repair the product or a defective part of the product after a reasonable number of attempts, ZLINE reserves the right to offer to replace the defective part or the product or provide the original purchaser a full refund of the purchase price of the product (not including installation, removal, or other charges that were not included in the original purchase price). The original purchaser of the product must provide the original proof of purchase, including the purchase date, when filing a claim to obtain replacement parts, service, or refunds. Additionally, the original purchaser of the product must provide the serial number of the product when filing a claim to obtain replacement parts, service, or refunds.

This warranty shall not apply to any ZLINE product in which the original factory serial number has been removed, altered, or cannot be readily determined for any reason. Further, ZLINE is not responsible for damage resulting from, but not limited to: shipment, delivery, or improper installation; negligence or improper maintenance, misuse, or abuse of the product; unauthorized alteration, modification, or tampering with the product; accident, fire, floods, pest infestations, pandemics, natural disasters, or any other unpreventable or unexplained acts of nature, commonly referred to as "acts of God"; flare-up fires or damages caused by improper electric supply, electrical line current, voltage, or power surges; and service to correct installation not in accordance with the instructions contained in ZLINE's product manuals and/or with local government codes.

This warranty does not apply to aesthetic damage, scratches, or natural wear caused by normal use; second-hand, open box products, or products purchased from an unauthorized retailer; and damages or issues stemming from alteration or tampering with the range, including, but not limited to, painting any portion of the product's interior or exterior and cutting the supplied power cord to manually hardwire the product.

In the event service is dispatched, and it is discovered that the reported issue is not covered under warranty based on the disclaimers above, the customer will be responsible for all service fees. Failure to pay these fees will result in the forfeiture of remaining warranty coverage.

# WARRANTY

Information contained within ZLINE's installation and user manuals, in addition to product information included on ZLINE's website and all related digital listings, do not cover every possible condition and situation that may occur during the installation or operation of ZLINE products.

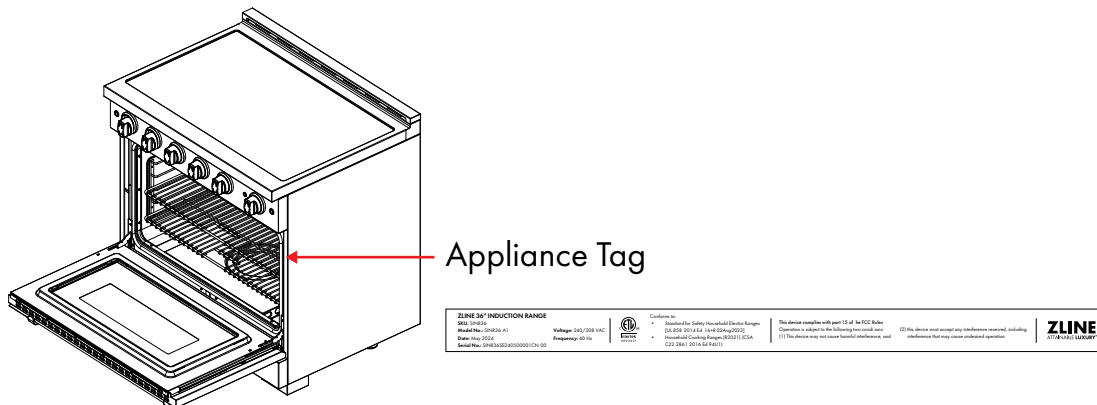
ZLINE reserves the right to make changes at any time to its products when considered safe, necessary, and useful. Always check the ZLINE website for the most up-to-date version of its product manuals: [www.zlinekitchen.com/pages/manuals](http://www.zlinekitchen.com/pages/manuals).

Do not install or operate any ZLINE product if it has missing or broken parts or if it arrives damaged due to shipping. If ZLINE products arrive damaged, contact ZLINE Customer Experience at 1-614-777-5004 for help. Failure to report a damaged appliance prior to installation or operation may void the warranty.

ZLINE disclaims responsibility for damage or injury caused by improper installation or use of any of its products. ZLINE is under no obligation, by law or otherwise, to provide concessions, including repairs, prorates, rebates, discounts, or replacements, once the warranty has expired.

## SERIAL NUMBER LOCATION

Please write down the model number (highlighted in the image below as the "SKU") and serial number of your appliance. Both numbers are located on the rating tag located on the right front edge of your range. Do not remove permanently affixed labels, warnings, or plates from the product. This will void the warranty. You may also consider attaching your receipt or proof of purchase to this manual.



# WARRANTY

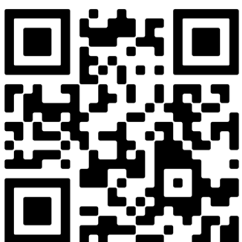


## SERVICE

For warranty service, please contact our Customer Service team at 1-614-777-5004 or visit [www.zlinekitchen.com/contact](http://www.zlinekitchen.com/contact) to utilize our online Customer Experience Portal.



Scan the QR code to view the most up-to-date version of our Installation Manual and User Manual.



Need to purchase a part or accessory for your ZLINE product?  
Visit [www.zlineparts.com](http://www.zlineparts.com), ZLINE's official parts distribution partner.

1.4.0

[zlinekitchen.com](http://zlinekitchen.com)

1-614-777-5004

[contact@zlinekitchen.com](mailto:contact@zlinekitchen.com)

**ZLINE**  
ATTAINABLE LUXURY®