

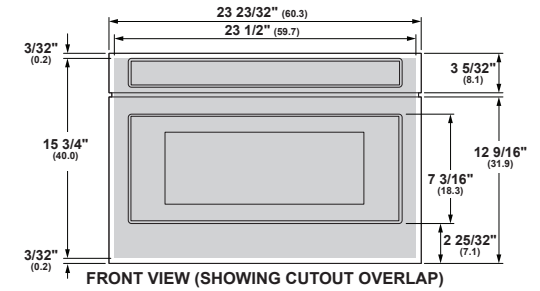
PWL1126SWSS

GE Profile™ 1.2 Cu. Ft. Drawer Microwave

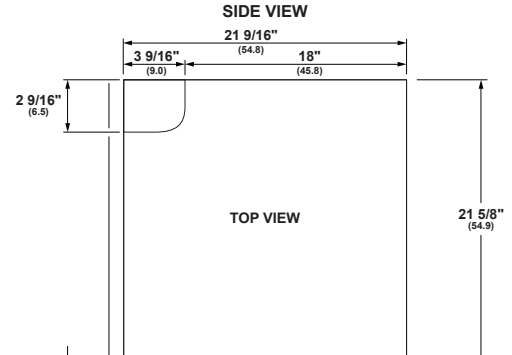
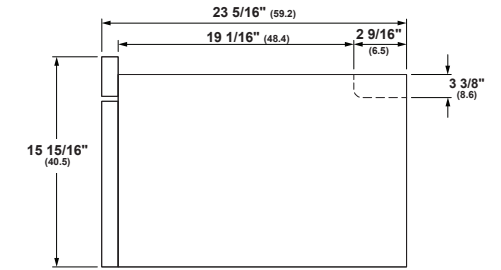
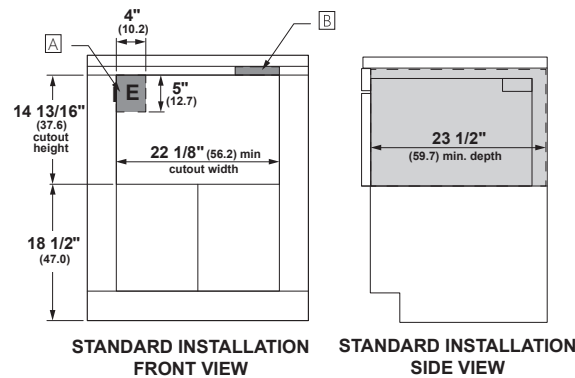
DIMENSIONS AND INSTALLATION INFORMATION (IN INCHES)

- A** Junction box location (may also be located in adjacent cabinet).
- B** To reduce the risk of tipping of the drawer, the Anti-Tip block must be properly installed located 14-13/16" above the floor on which the Microwave Drawer will sit. The Anti-Tip block must be provided and pre-installed by the purchaser of the product or builder before install can be done. The Anti-Tip block prevents serious injury that might result from spilled hot liquids.
- C** Cleats may be visible and should be finished to match cabinetry.
- D** The face of the shelf must sit 1-7/8" back from the face of the cabinet. See installation instructions for further details including the installation of 24" flush mount deflector vent.

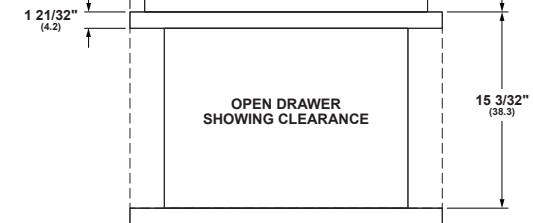
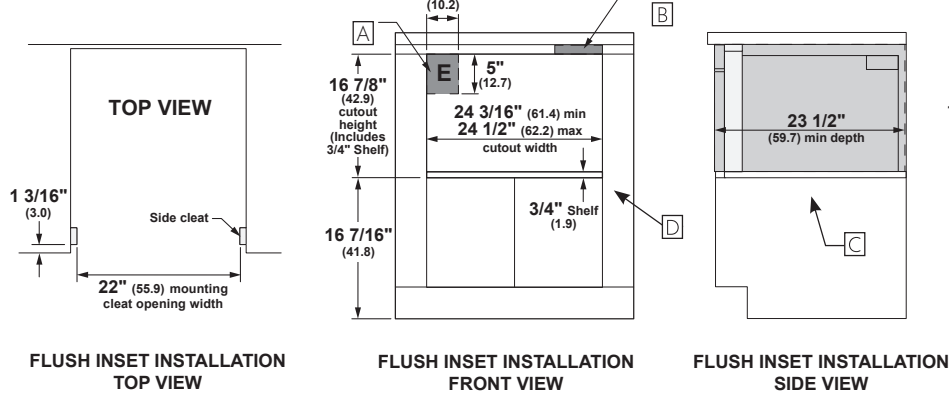
OVERALL DIMENSIONS



STANDARD INSTALLATION



FLUSH INSTALLATION



Dimensions in parentheses are in centimeters unless otherwise noted. Actual product dimensions may vary due to manufacturing tolerances.



For answers to your Monogram, Café™, GE Profile™ or GE Appliances product questions, visit our website at geappliances.com or call GE Answer Center® Service, 800.626.2000.



PWL1126SWSS

GE Profile™ 1.2 Cu. Ft. Drawer Microwave

FEATURES AND BENEFITS

1.2 CU. FT. CAPACITY – Accommodates large plates and cookware with ease

FLUSH INSTALLATION CAPABILITY – Enables the drawer to be installed flush with cabinetry without any additional parts

ELECTRONIC TOUCH CONTROL WITH WHITE LED DISPLAY – Makes it easy to adjust settings and adds to the drawer's sleek, streamlined appearance

SENSOR COOK & SENSOR REHEAT – Microwave sensor cooking automatically adjusts the time and power for delicious results from favorite foods, leftovers and more

1,000 WATTS – Cooking power delivers rapid, even heat

SENSOR COOKING – Automatically adjusts time and power settings for optimal results

ADD 30 SECONDS – Allows you to add 30 seconds of cooking time with a simple touch

CONTROL LOCK FEATURE – Prevents unauthorized use for extra peace of mind

EASY ACCESS OPTION – Allows you to open and close the drawer with the push of a button or by gently pulling or pushing the recessed handle

MODEL PWL1126SWW – Stainless Steel

