
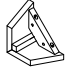
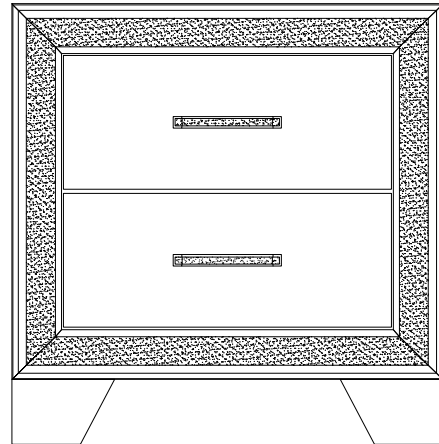




# ASSEMBLY INSTRUCTION

## B4750-2 KAIA NIGHT STAND

### BOX 1

BOX OF NIGHT STAND			
NO	DESCRIPTION	DRAWING	QTY
A	NIGHT STAND		1
B	BUNFOOT *		4

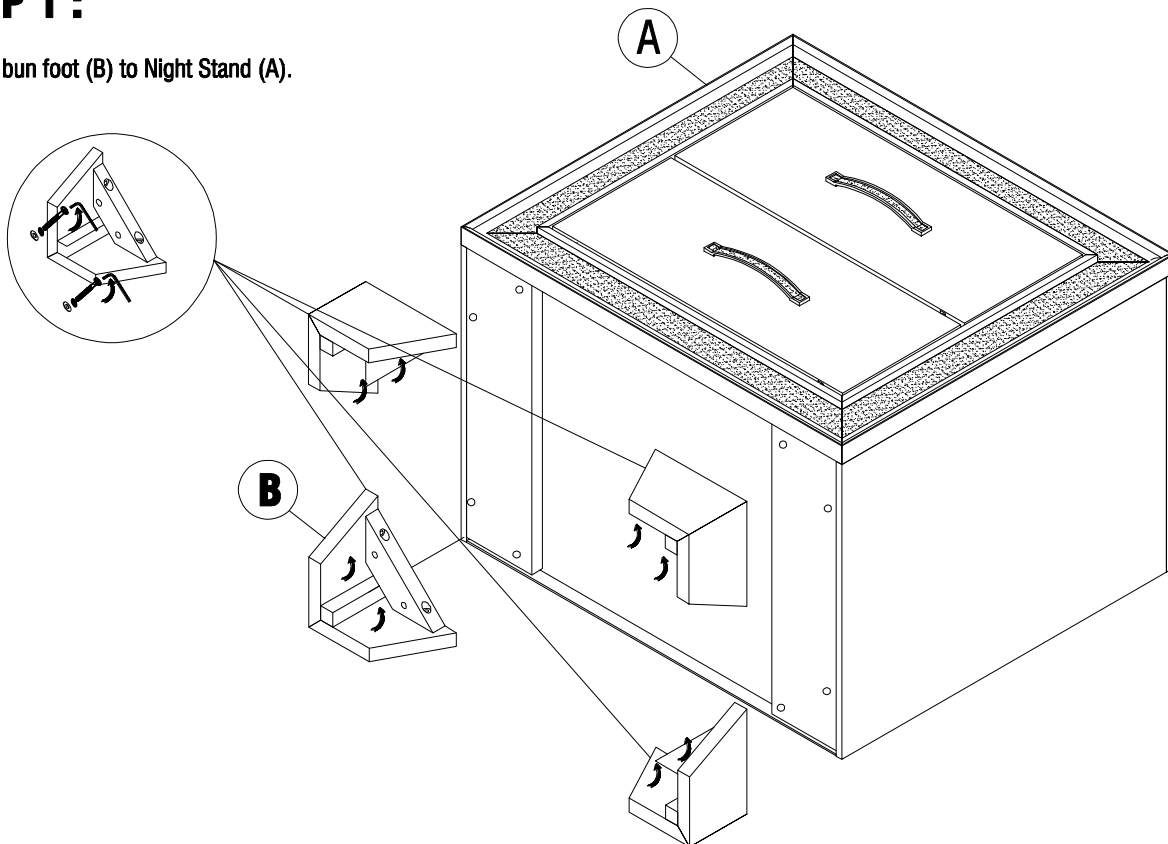


HARDWARE LIST			
NO	DESCRIPTION	DRAWING	QTY
1	BOLT(M6 X 35) SPRING WASHER, FLAT WASHER		8
2	ALLEN KEY M6		1

\* Bun Foot packed Inside Night Stand Bottom Drawer

### STEP 1 :

Attach bun foot (B) to Night Stand (A).



THE ANTI TIPPING HARDWARE IS LOCATED IN THE TOP DRAWER OF NIGHT STAND.

**THE HARDWARE IS LOCATED IN THE PACKING ITEMS.**