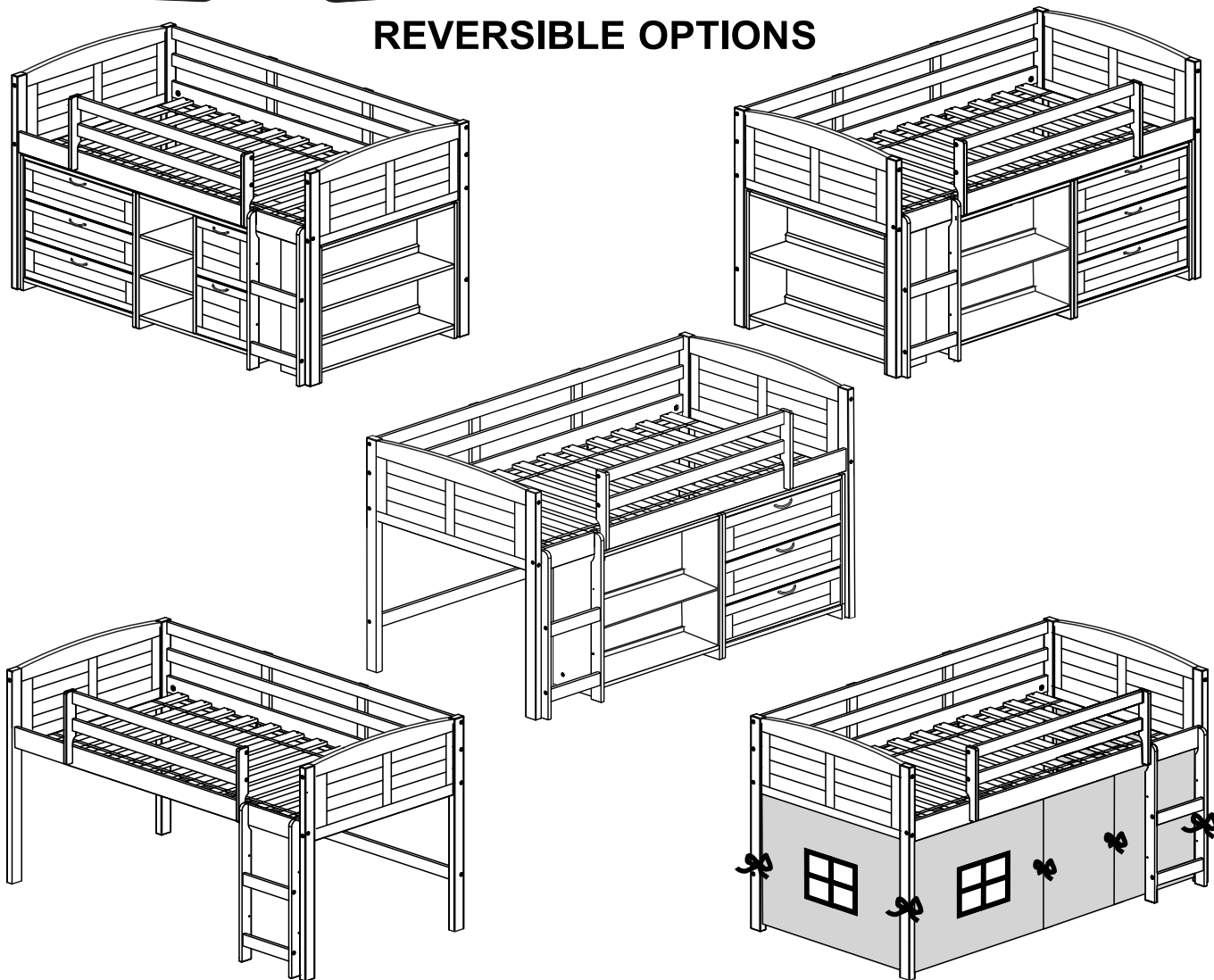


Fort Worth, Texas 76140

ASSEMBLY INSTRUCTIONS

790 LOW LOFT BED LOUVER

REVERSIBLE OPTIONS



OPTIONAL SETS ( THE CASES ARE SOLD SEPARATE )

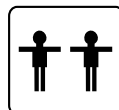
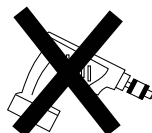
- 3 DRAWERS CHEST LOUVER
- 2 DRAWERS CHEST LOUVER
- SMALL BOOKCASE
- HEADBOARD BOOKCASE
- TENT KIT FABRIC

Thank you for purchasing this quality product. Be sure to check all packing material carefully for small parts which may have come loose inside the carton during shipment. Separate, identify and count all parts and hardware.

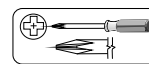
Compare with the parts list to be sure all parts are present.

"DO NOT TIGHTEN SCREWS UNTIL COMPLETELY ASSEMBLED"

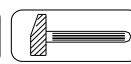
  
 \* Use of power tool to assemble this product will invalidate any claim and damage this product making unsafe !!!  
 \* Please assemble on a clean soft surface to avoid damage.



Tools Required



(Not included)

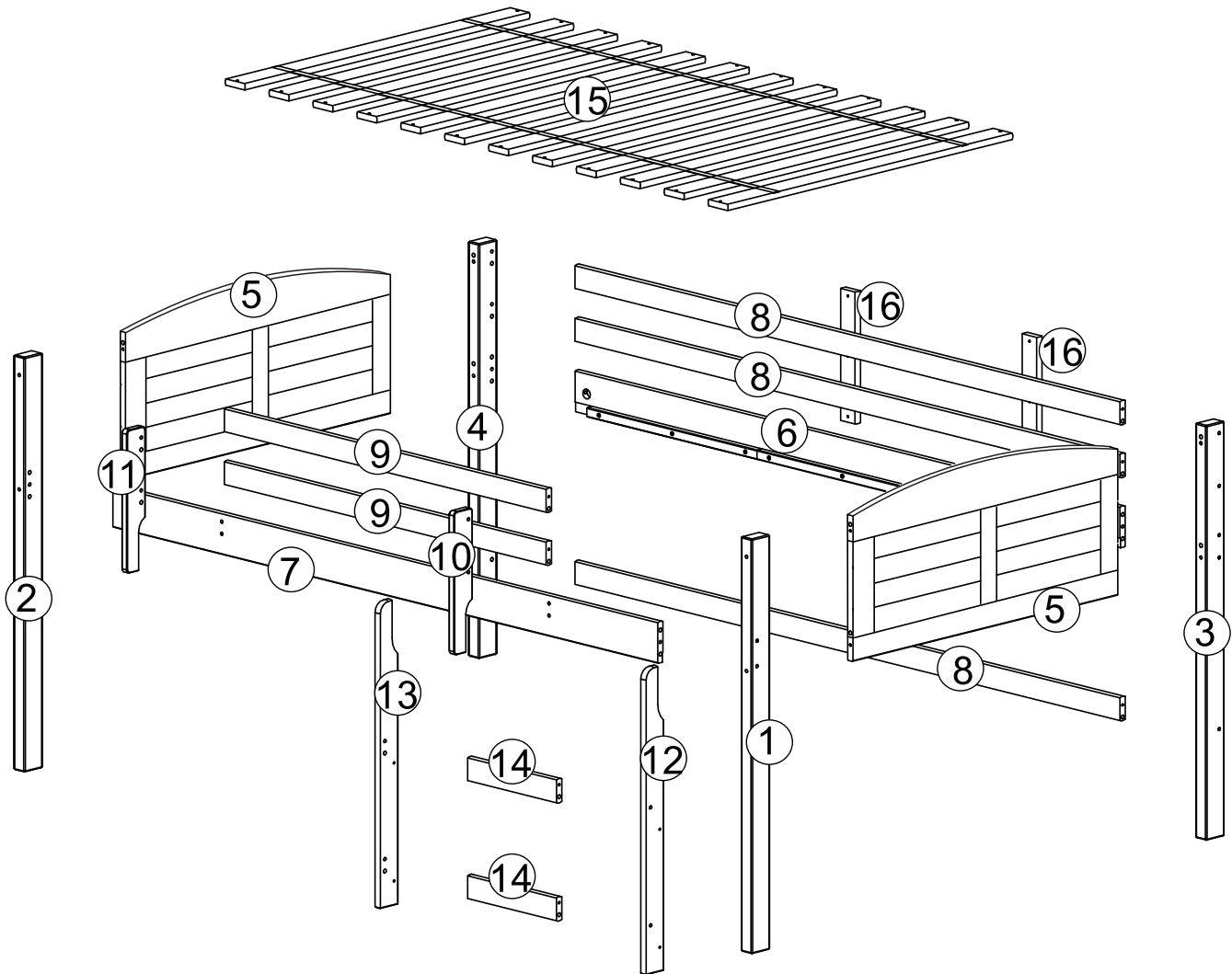


(Not included)

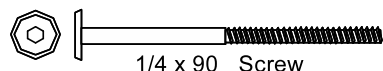
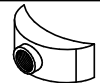
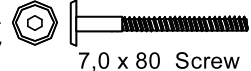
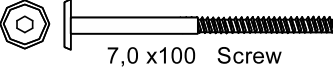

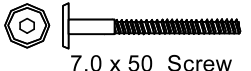
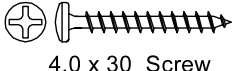
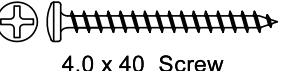
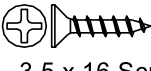
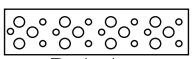


IMPORTANT:

PLEASE READ INSTRUCTION BEFORE STARTING THE ASSEMBLY

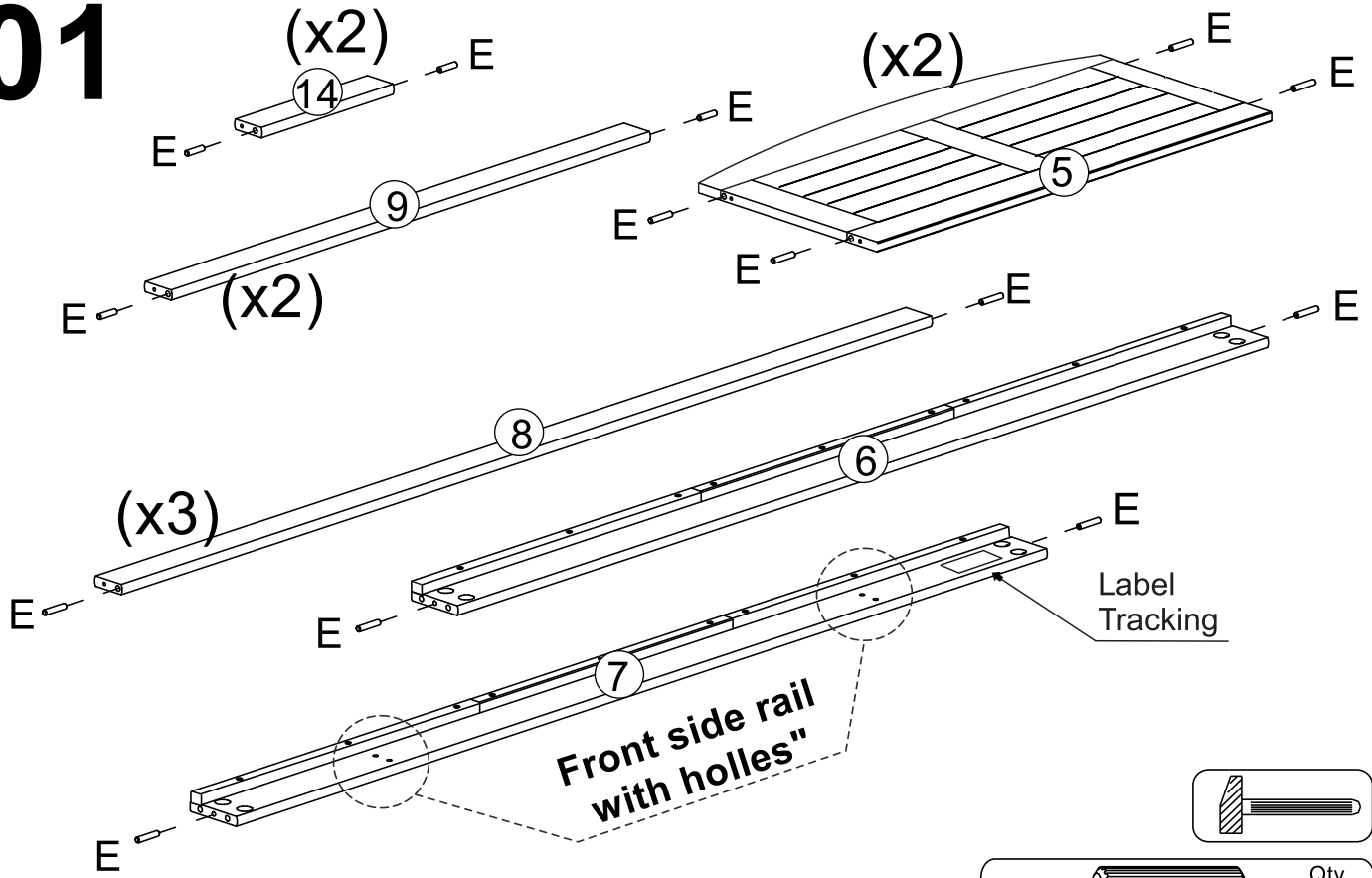
# Part List - 790 LOW LOFT BED LOUVER



## Identifying the Hardware-Identify the hardware using the illustrations below.

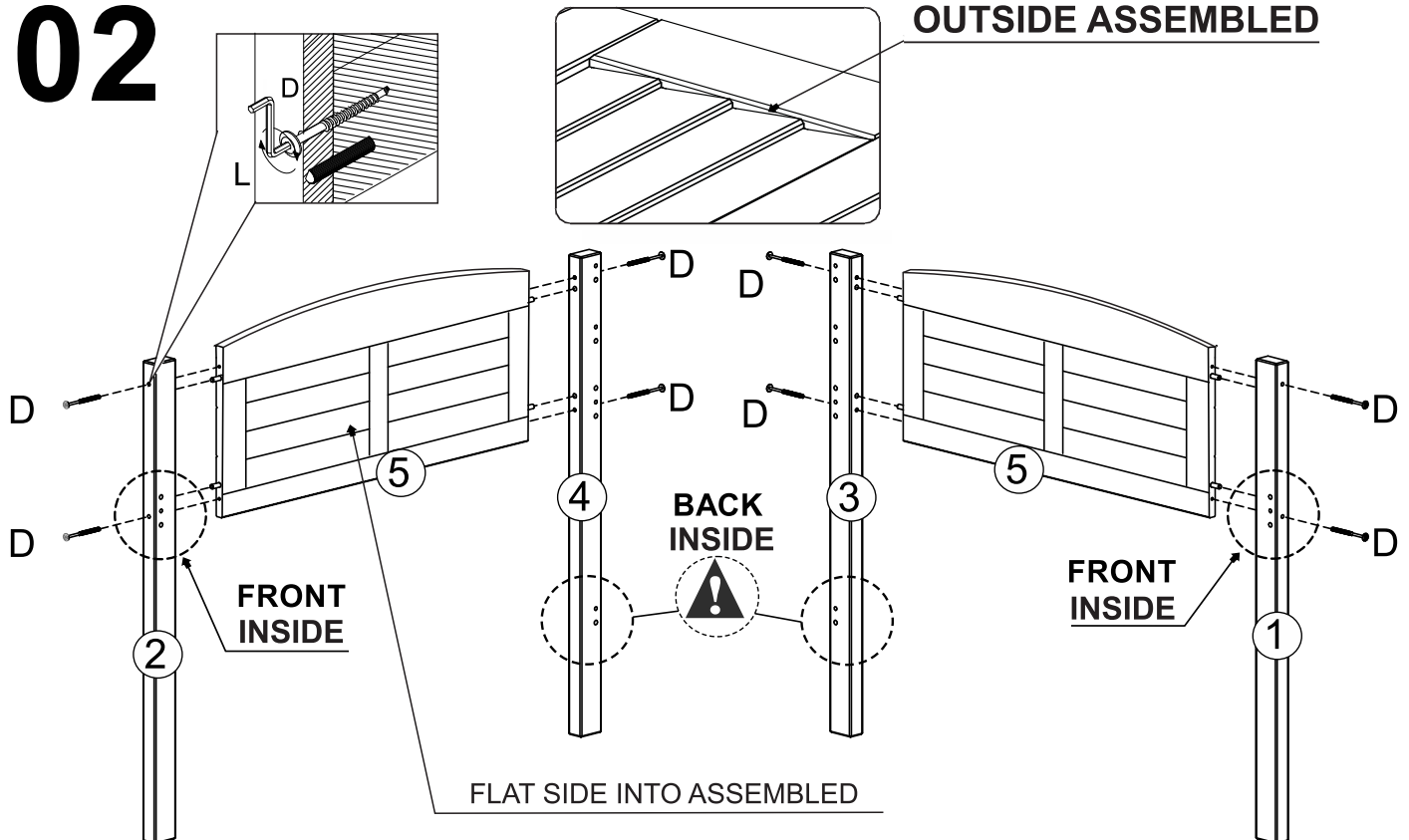
<b>A</b>  Qty <b>08</b> 1/4 x 90 Screw	<b>B</b>  Qty <b>08</b> 1/4" Half Moon	<b>C</b>  Qty <b>06</b> 7,0 x 80 Screw
<b>D</b>  Qty <b>08</b> 7,0 x 100 Screw	<b>E</b>  Qty <b>26</b> 10 x 40 Wood Dowel	<b>F</b>  Qty <b>12</b> 7,0 x 50 Screw
<b>G</b>  Qty <b>32</b> 4,0 x 30 Screw	<b>H</b>  Qty <b>02</b> 4,0 x 40 Screw	<b>I</b>  Qty <b>06</b> 3,5 x 16 Screw
<b>J</b>  Qty <b>02</b> Protector	<b>K</b>  Qty <b>02</b> Hook Ladder	<b>L</b>  Qty <b>01</b> Hex Screwdriver

# 01

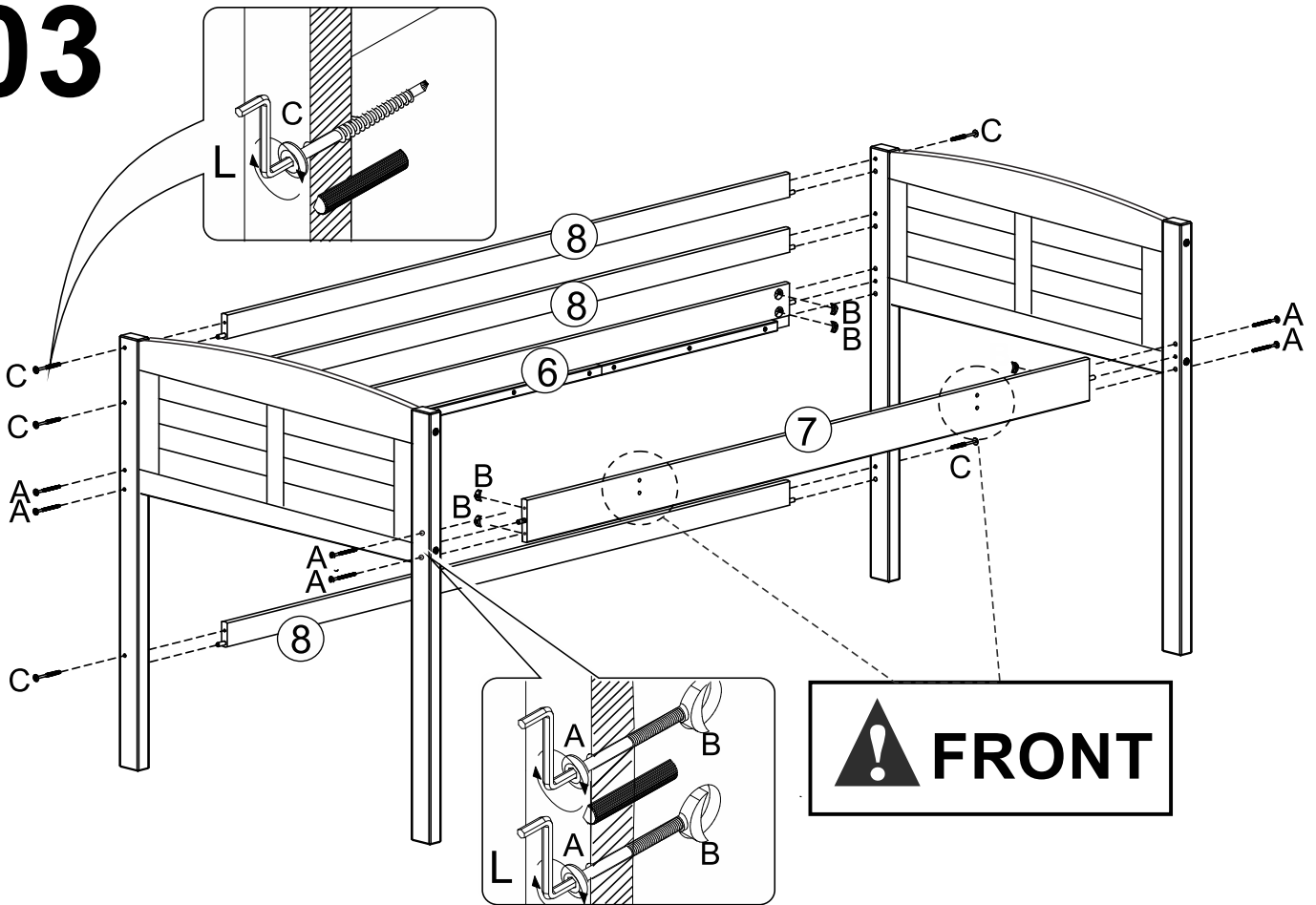


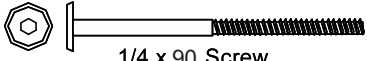
# 02

## SCHUTTER OUTSIDE ASSEMBLED

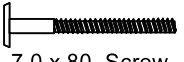


# 03



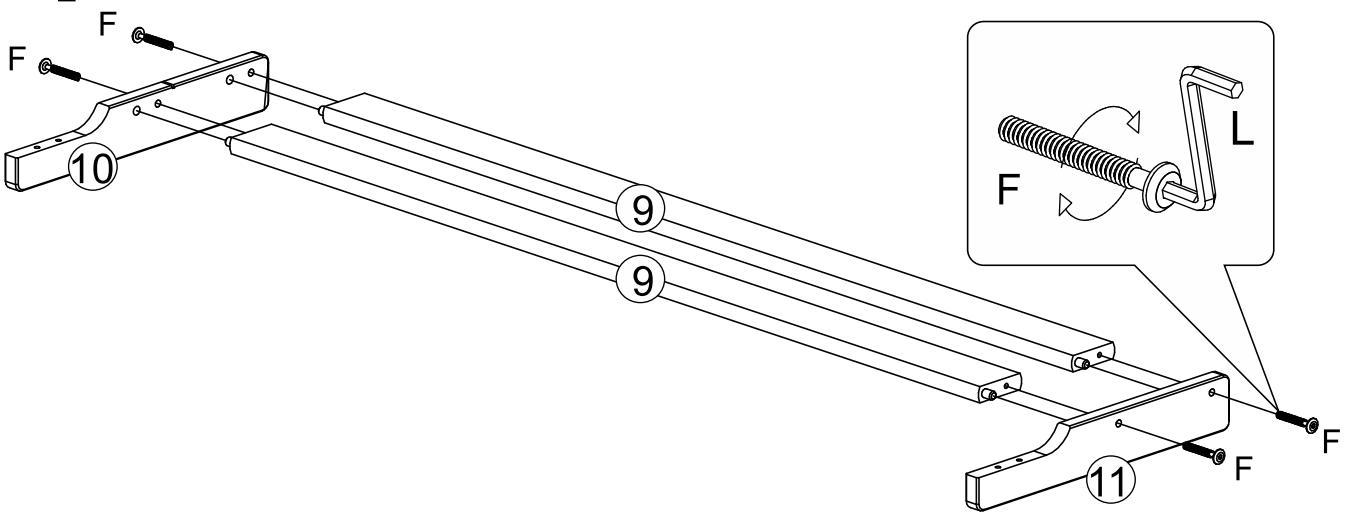
**A**  Qty **08**  
1/4 x 90 Screw

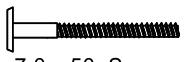
**B**  1/4" Half Moon Qty **08**  
1/4" Half Moon

**C**  Qty **06**  
7,0 x 80 Screw

**L**  Qty **01**  
Hex Screwdriver

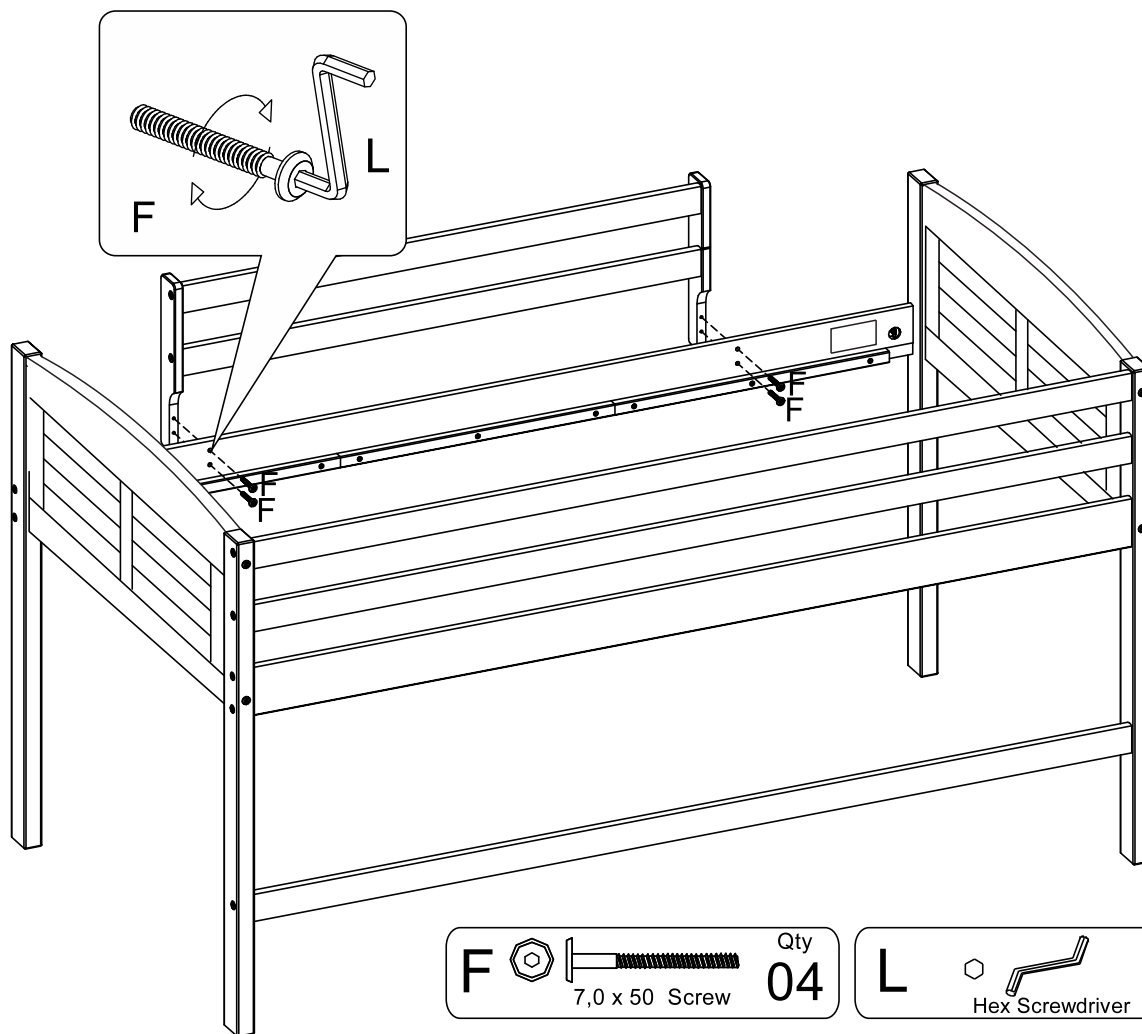
# 04





**F**  Qty **04**  
7,0 x 50 Screw

**L**  Qty **01**  
Hex Screwdriver

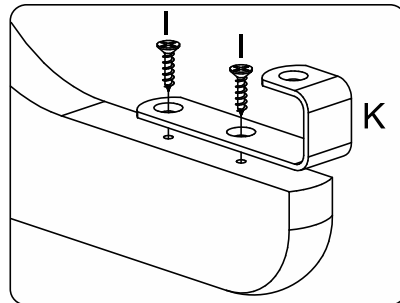
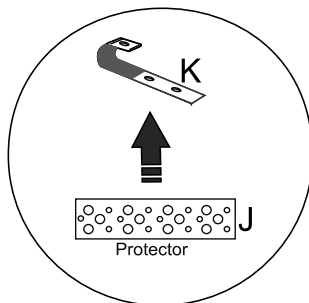
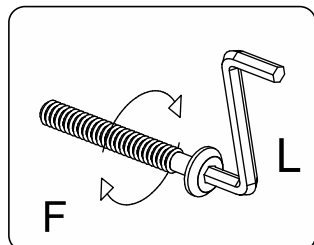
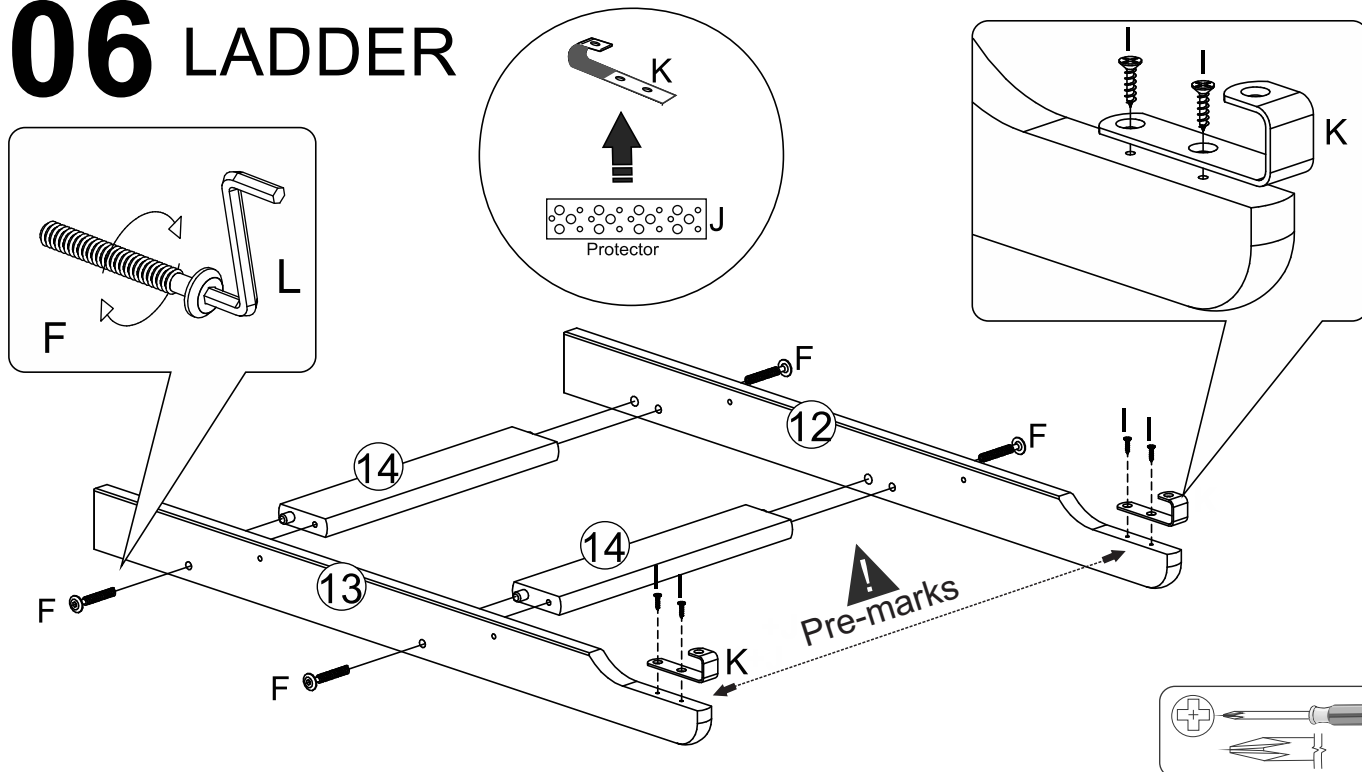
# 05





**F**  Qty **04**  
7,0 x 50 Screw

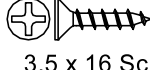
**L**  Qty **01**  
Hex Screwdriver


# 06 LADDER



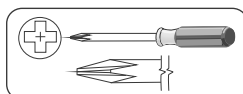
**J**  Qty **02**  
Protector

**F**  Qty **04**  
7,0 x 50 Screw

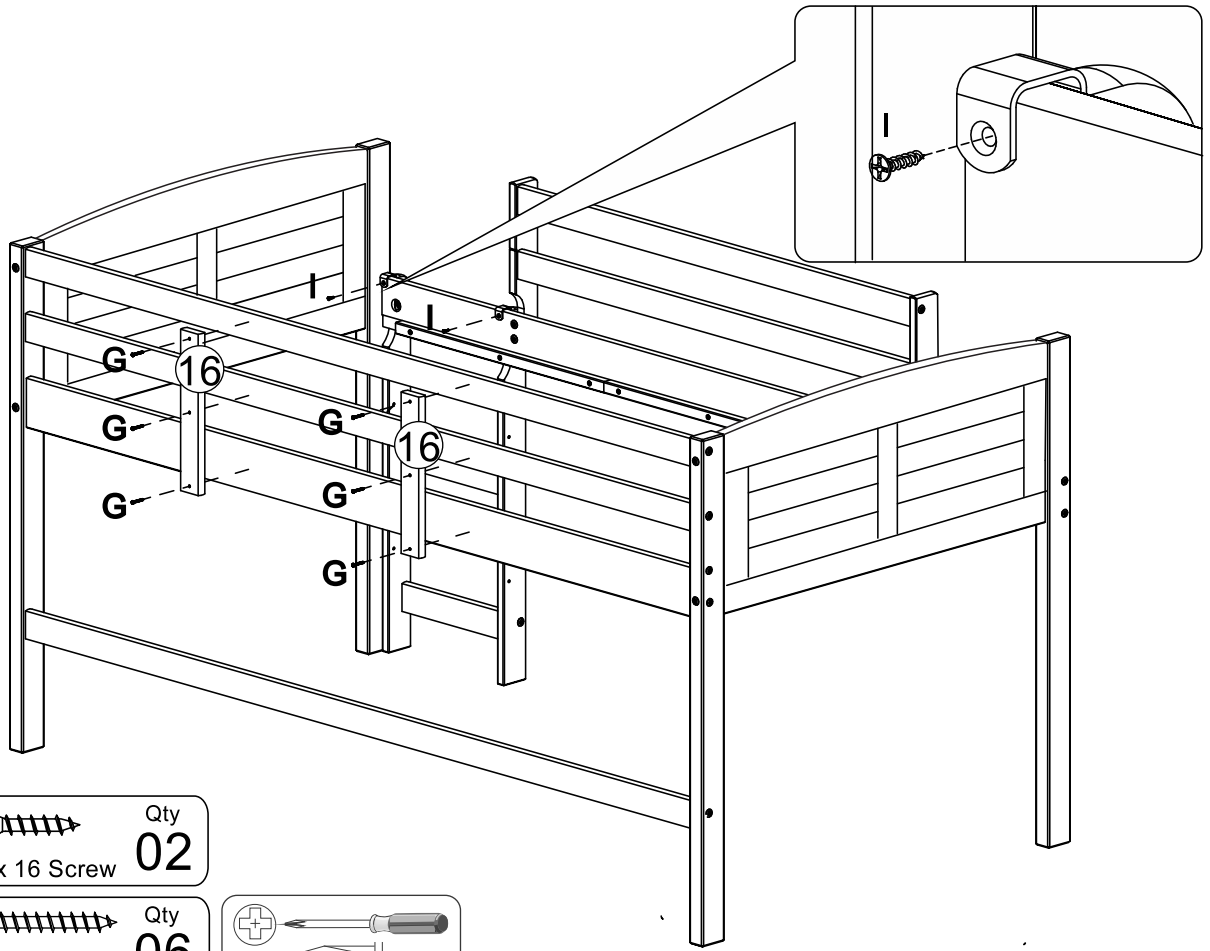
**I**  Qty **04**  
3,5 x 16 Screw


**K**  Qty **02**  
Hook Ladder

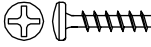
**L**  Qty **01**  
Hex Screwdriver

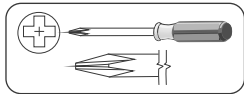


# 07

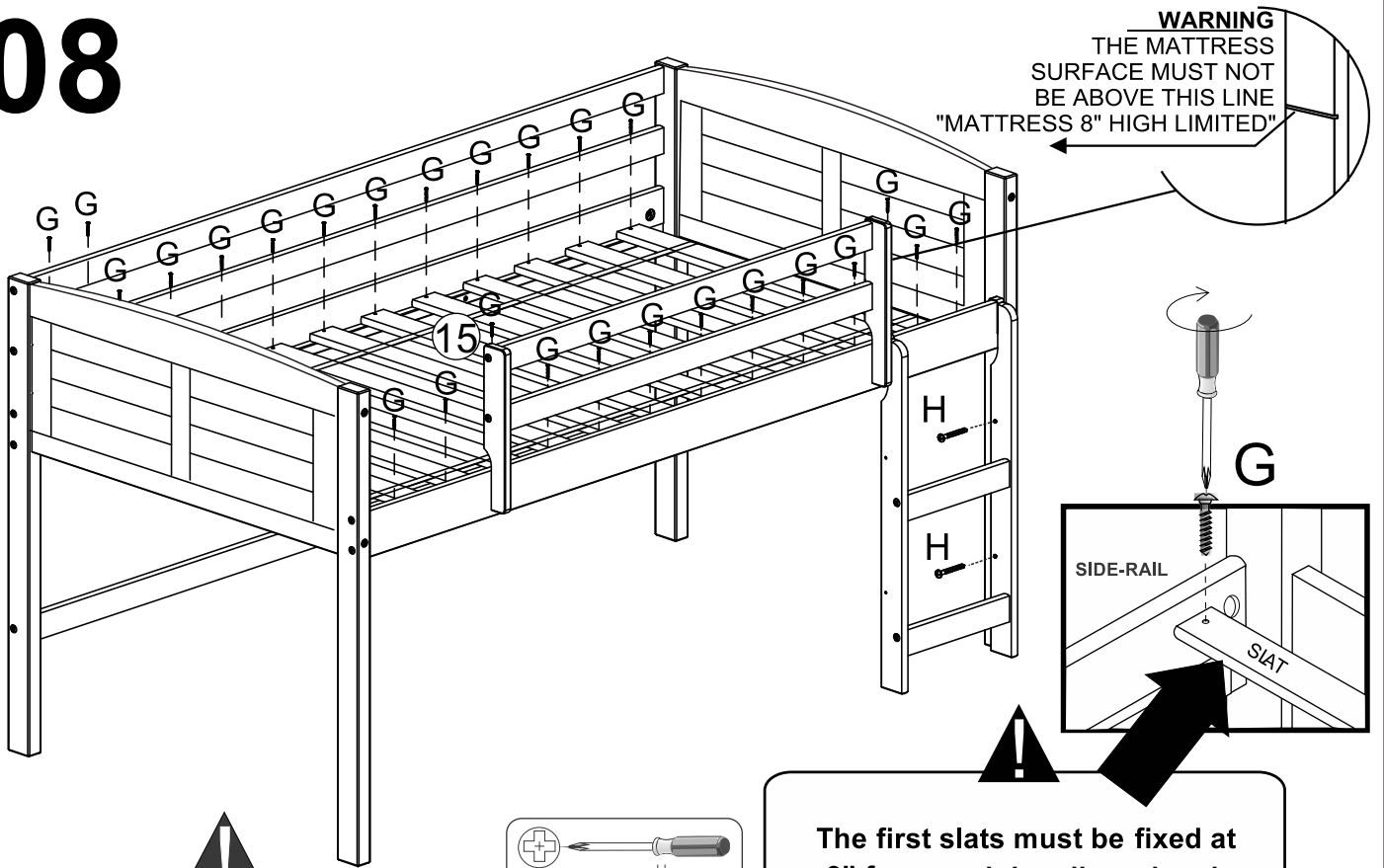


**I**  Qty **02**  
3,5 x 16 Screw

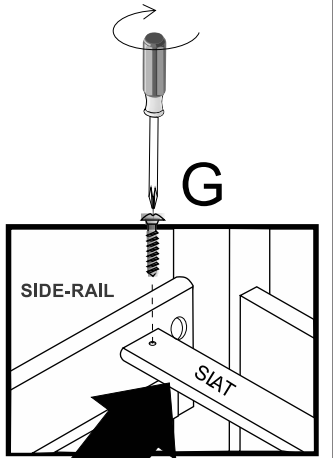
**G**  Qty **06**  
4,0 x 30 Screw



# 08

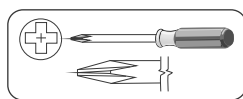


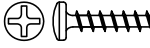
**WARNING**  
THE MATTRESS SURFACE MUST NOT BE ABOVE THIS LINE  
"MATTRESS 8" HIGH LIMITED"

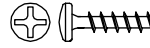


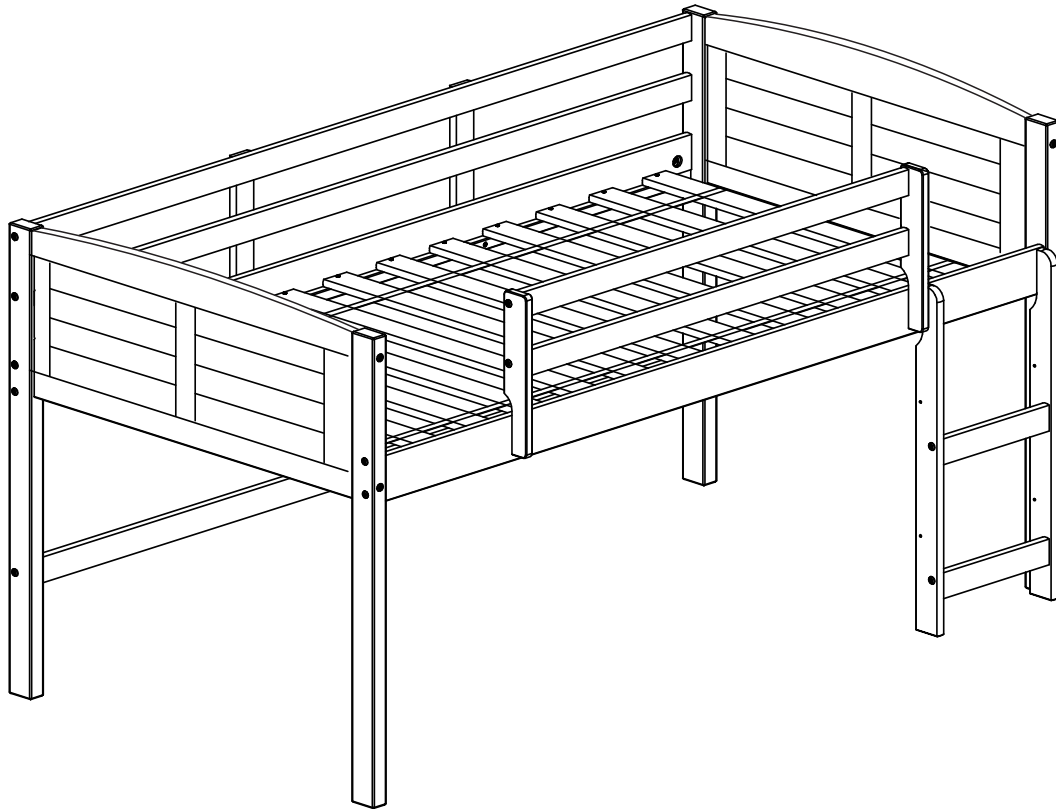
**!**  
The first slats must be fixed at 3" from each headboard end.

**!**  
"INSTALL SLAT KIT WITH SPACER TAPE ON TOP (FACING UP)"

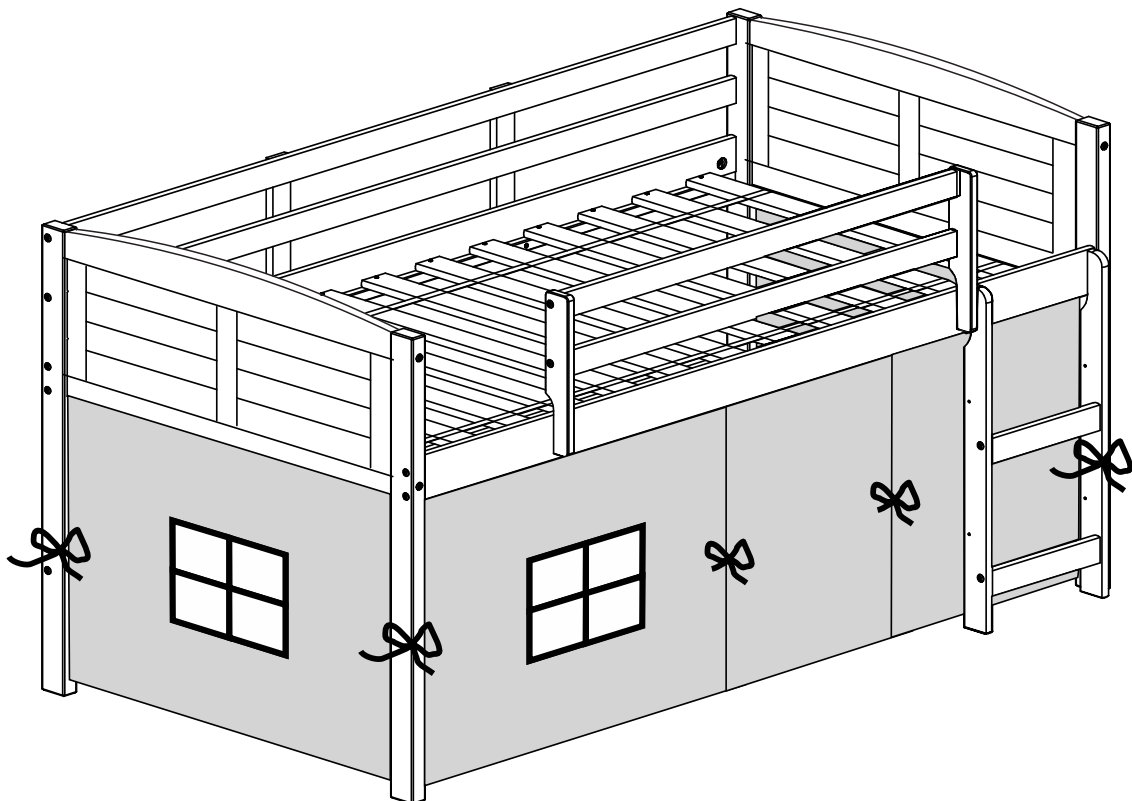


**H**  Qty **02**  
4,0 x 40 Screw

**G**  Qty **26**  
4,0 x 30 Screw

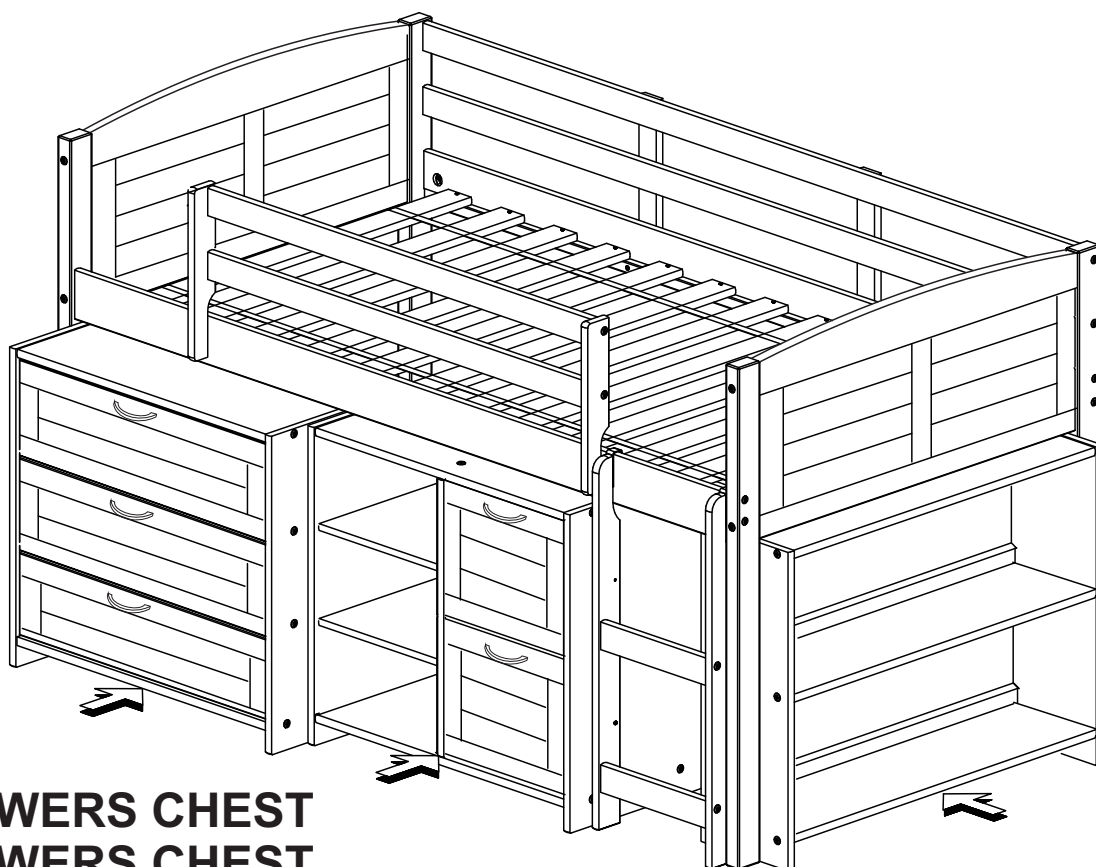


**BED ONLY**

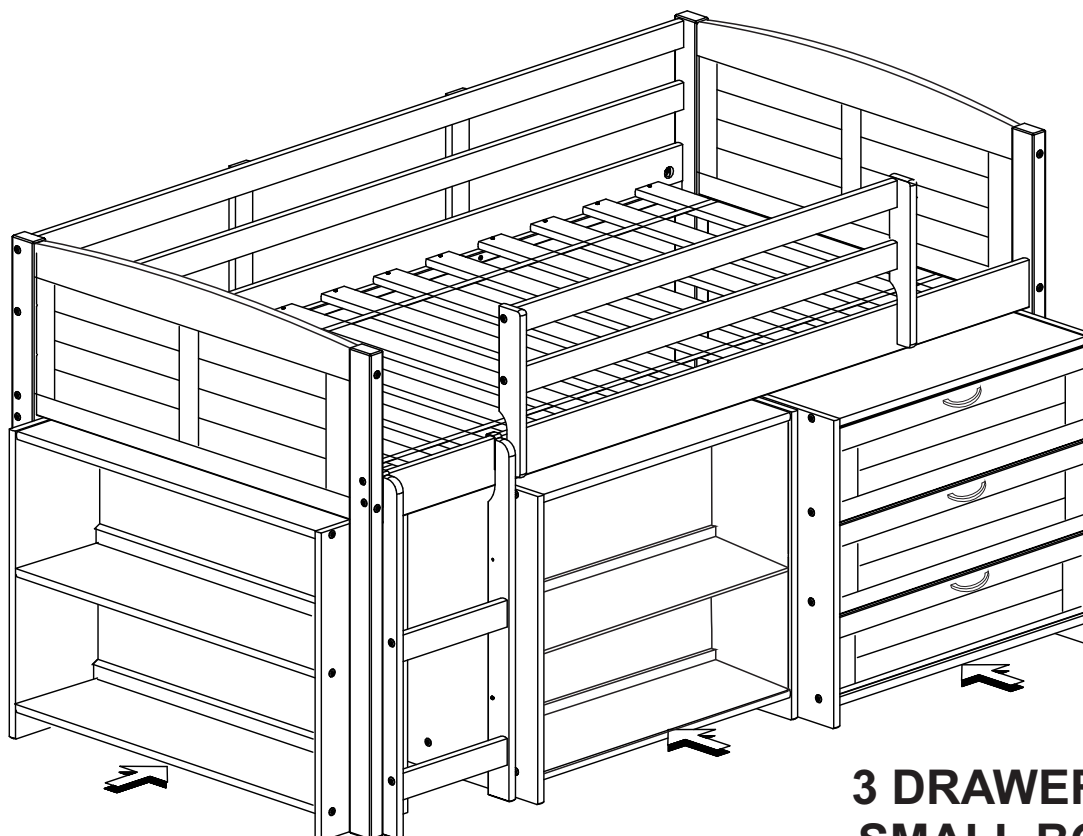


**TENT SET FABRIC**

# OPTION COMPONENTS

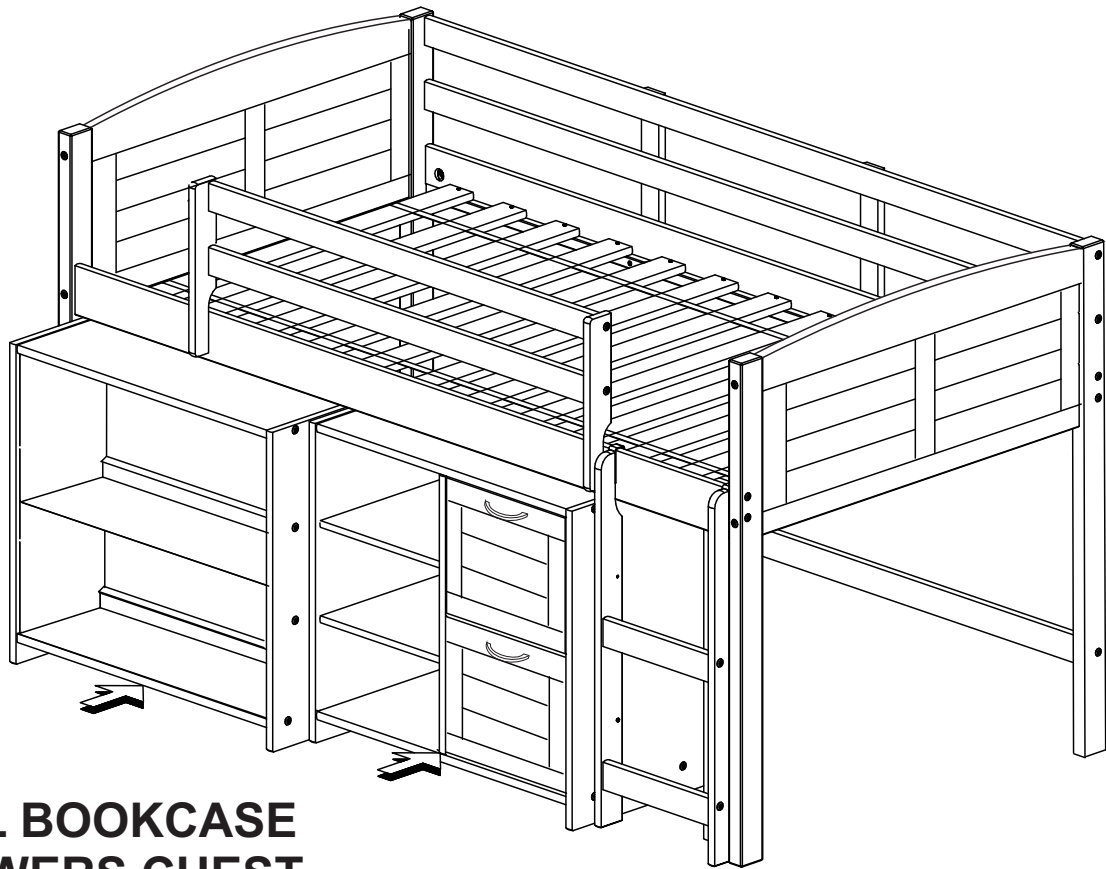


**3 DRAWERS CHEST  
2 DRAWERS CHEST  
HEADBOARD BOOKCASE**

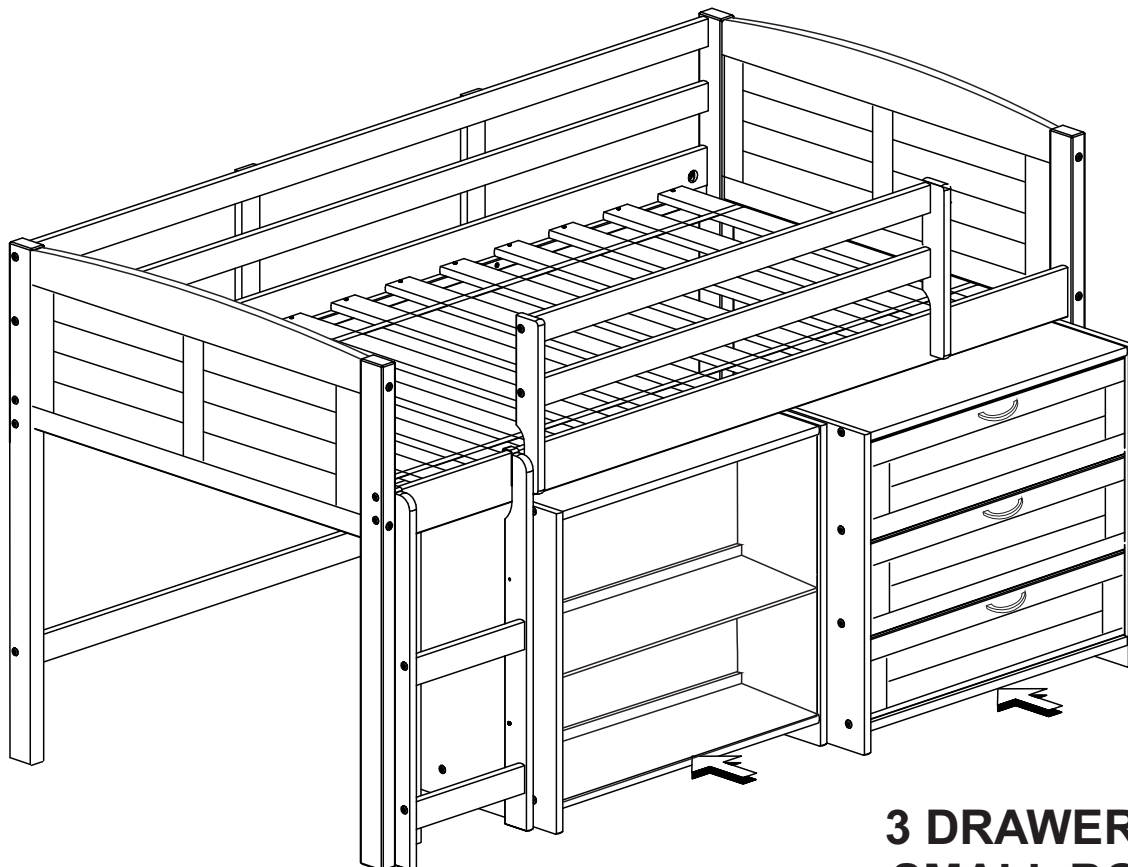


**3 DRAWERS CHEST  
SMALL BOOKCASE  
HEADBOARD BOOKCASE**

# OPTION COMPONENTS



**SMALL BOOKCASE  
2 DRAWERS CHEST**



**3 DRAWERS CHEST  
SMALL BOOKCASE**