

XO

EASY TO STORE
EASY TO FIND

XOU24BCGOA

24" UNIVERSAL FIT BEVERAGE CENTER

UNIVERSAL
FIT



Height Adjusts
to Accommodate:
ADA Compliant Cabinetry
European Cabinetry
US Standard Cabinets
4" Toe Kick or
6" Custom Plinth

Display as Framed Glass
or use with a Solid Panel

STORE UP TO 118 (12oz) CANS - READY TO SERVE AT 34° to 50° F
AND STILL FIND JUST WHAT YOU ARE LOOKING FOR

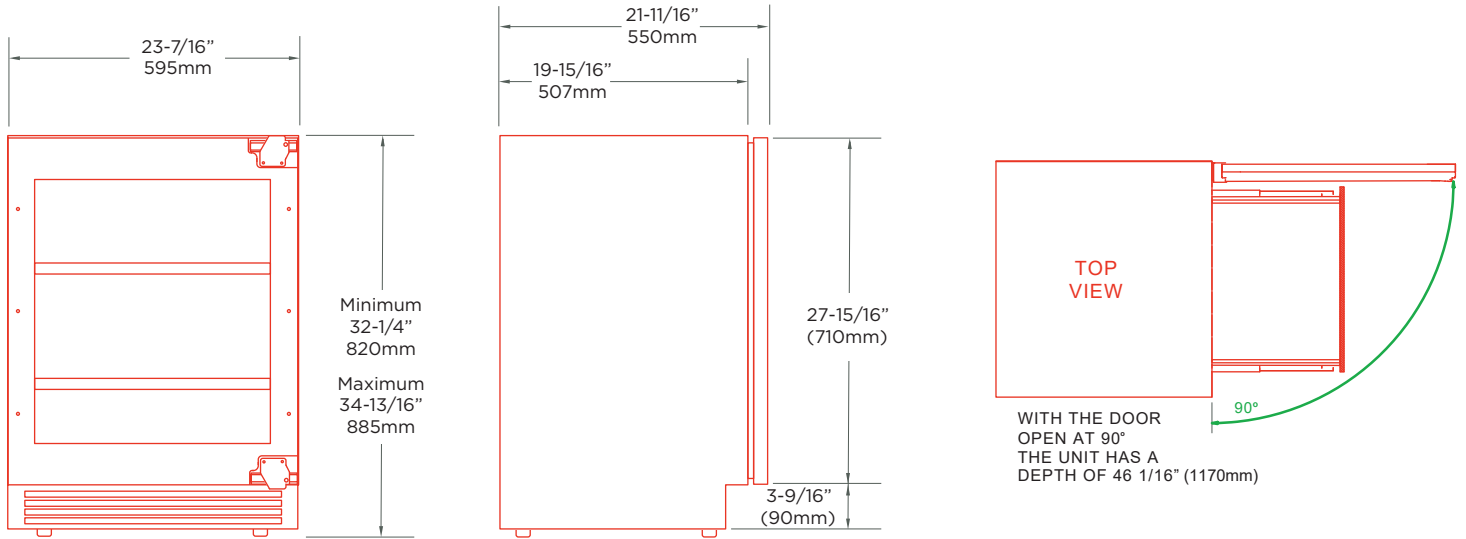
Your XO Beverage Center comes with clear glass - fully telescoping shelves. No more fumbling about or emptying shelves to find what you are looking for. Simply extend the shelf out to see what is in the back. And because cabinetry comes in a variety of heights and styles - your XO can accommodate a framed glass look or solid panel in either ADA or US standard heights.

www.xoappliance.com

MODEL: XOU24BCGOA

24" BEVERAGE CENTER

Unit Has Field Reversible Door

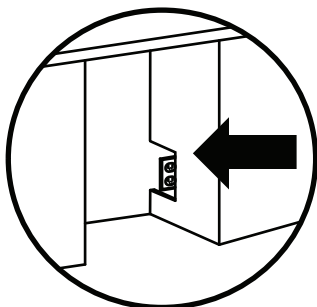
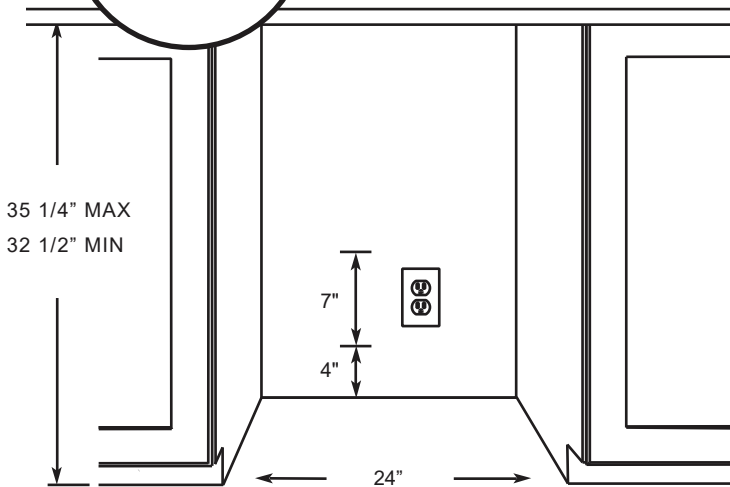


ROUGH-IN

SPECIFICATIONS



THE 6' FLAT PLUG POWER CORD SUPPLIED ON YOUR XO BEVERAGE CENTER ENSURES AN EASY FLUSH INSTALLATION



TIP: IN TIGHT INSTALLATIONS CUT THROUGH AN ADJACENT CABINET WALL TO REACH AN OUTLET INSTALLED THERE

Size	24"
Dimensions	23 7/16"W x 32 1/4"H x 21 11/16"D
Installation Type	Built-in / Panel Ready
Refrigerant Type	R600a
Electrical	115V 60Hz 1.5A USE DEDICATED 15A CIRCUIT
Temperature Range	34° - 50° F HOLDS UP TO (145) 12oz CANS

OPTIONAL ACCESSORIES

SS Door Panel P/N: XOU24ADASG
Optional panel includes two different style handles



XO the next level in luxury appliances
www.xoappliance.com

XO is exclusively distributed through EASTERN MARKETING CORP.
24 Eisenhower Parkway, Roseland, NJ 07068
p. 973.403.8900

CHILL WITH XO



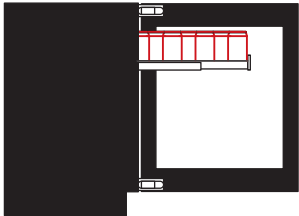
NOW THAT'S COLD

ICY COLD BEVERAGES - NO PROBLEM.
EASILY ADJUST TEMPERATURE TO SUIT YOUR
PREFERENCES WITH THE DIGITAL CONTROL PANEL.



ONE SIZE FITS ALL

ADA COMPLIANT | US STANDARD HEIGHT | EUROPEAN CABINETS



SEE EVERYTHING AT A GLANCE

CLEAR GLASS SHELVES EXTEND FULLY WHILE FULLY LOADED
MAKING EASY TO STORE AND FIND YOUR FAVORITE
BEVERAGES.



FAN CLUB

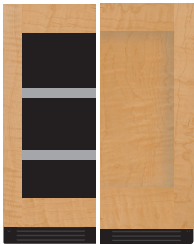
FILTERED, CONDITIONED AIR IS CIRCULATED TO HELP ENSURE
A STABLE, UNIFORM TEMPERATURE.



**SELECTABLE INTERIOR
LED LIGHTING IN:**
THEATER WHITE
MIDNIGHT BLUE
HONEY AMBER

LEDS ARE COOL

COOL RUNNING INTERIOR LEDES DRAMATICALLY ILLUMINATE YOUR
BOTTLES WHILE SAVING ENERGY.



JUST YOUR STYLE

ACCOMMODATES GLASS DOOR OR SOLID FINISH PANEL

XO HAS THE BEST WARRANTIES AND SERVICE...



For 90 days, all our products
are backed by our unique
Love It or Leave It Guarantee

