

# 30" Electric Slide-in Range

Benchmark® Series – Stainless Steel HEIP056U



**HEIP056U**  
Stainless Steel

The newly designed full-depth electric slide-in range fits into any freestanding range cutout, and offers a versatile tri-ring element

## Features & Benefits

Convection Pro combines a third heating element with a back fan for even browning and time savings by using multiple racks at one time.

Cook with a 6", 9" or 12" element.

Dampened hinges softly and quietly guide the QuietClose® door shut.

At 4.6 cu. ft., a large oven capacity accommodates most pots and pans.

A full-extension telescopic rack offers safe access to the oven cavity.

## General Properties

Cooking modes	Bake, Variable Broil (hi & low), Roast, Warm, Proof Dough, Convection Bake, Convection Broil, Convection Roast, Convection Multi-Rack, Convection Conversion, Pizza, Fast Preheat, Sabbath
---------------	--

Cleaning type	Self clean
Knob material	Metal
Interior light	2
Kitchen timer	Yes
Drawer type	Warming drawer

## Oven Performance

Bake / broil element watts (W)	2,400 / 3,800 W
Convection element watts (W)	2,000 W

## Element Performance

Total cooktop elements	5
Power of front left element watts (W)	1,050 / 1,950 / 3,000 W
Power of back left element watts (W)	1,200 W
Power of center element watts (W)	100 W
Power of back right element watts (W)	1,200 W
Power of front right element watts (W)	1,100 / 3,200 W

## Element Size

Dimension of front left heating element	6" / 9" / 12"
Dimension of back left heating element	6"
Dimension of center heating element	6"
Dimension of back right heating element	6"
Dimension of front right heating element	9.5"

## Technical Details

Watts (W)	11,300 / 14,800 W
Circuit breaker (A)	40 A
Volts (V)	208 V / 240 V
Frequency (Hz)	60 Hz
Plug type / Cord length	Fixed connection (no plug)
Energy source	Electric

## Dimensions & Weight

Overall appliance dimensions (HxWxD)(in.)	36 1/2"-38" x 31 1/2" x 28 7/8"
Required cutout size (HxWxD)(in.)	35 1/2"-37" x 30" x 25"
Adjustable range height (in.)	1 1/2"
Oven cavity size (cu. ft.)	4.6
Overall oven interior dimensions (HxWxD)(in.)	17 13/16" x 24 1/8" x 18"
Usable oven interior dimensions (HxWxD)(in.)	12 5/16" x 23 1/4" x 15 1/4"
Net weight (lbs)	229 lbs

## Accessories—Included

Use and care manual, installation guide, temperature probe, 2 standard racks, 1 telescopic rack

## Accessories—Optional



**HEZTR301**  
30" Telescopic rack



**HEZBS301**  
4" Low backguard (stainless steel)



**HEZ390210**  
8" AutoChef® pan for 6" element



**HEZ390220**  
9" AutoChef® pan for 7" element



**HEZ390230**  
10" AutoChef® pan for 8" and 9" elements



**Accessories:** To purchase Bosch accessories, cleaners & parts please visit [www.bosch-home.com/us/store](http://www.bosch-home.com/us/store) or call 1-800-944-2904 (Mon to Fri 5 am to 6 pm PST, Sat 6 am to 3 pm PST).

**Notes:** All height, width and depth dimensions are shown in inches. BSH reserves the absolute and unrestricted right to change product materials and specifications, at any time, without notice. Consult the product's installation instructions for final dimensional data and other details prior to making cutout.

**Warranties:** Please see Use & Care manual or Bosch website for statement of limited warranty.

**For more information on our entire line of products, go to [www.bosch-home.com/us](http://www.bosch-home.com/us) or call 1-800-944-2904**

© BSH Home Appliances Corporation. All rights reserved. Bosch is a registered trademark of Robert Bosch GmbH.

# 30" Electric Slide-in Range

Benchmark® Series – Stainless Steel HEIP056U

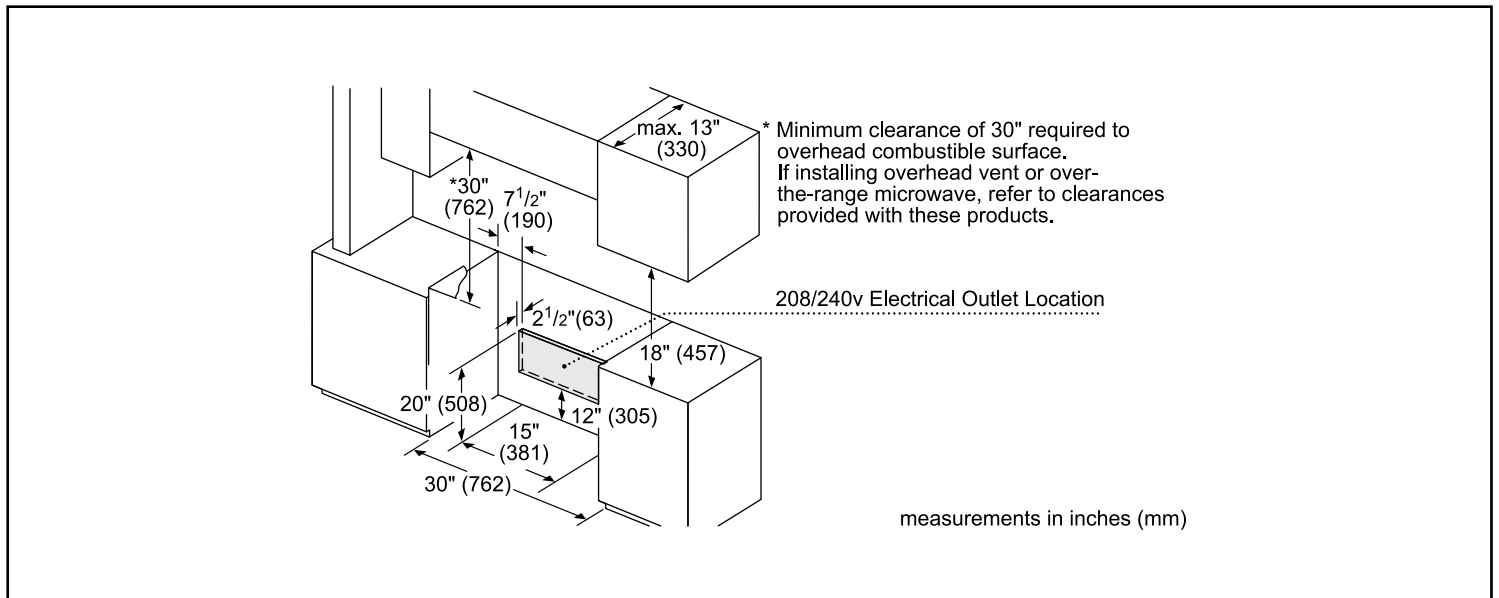
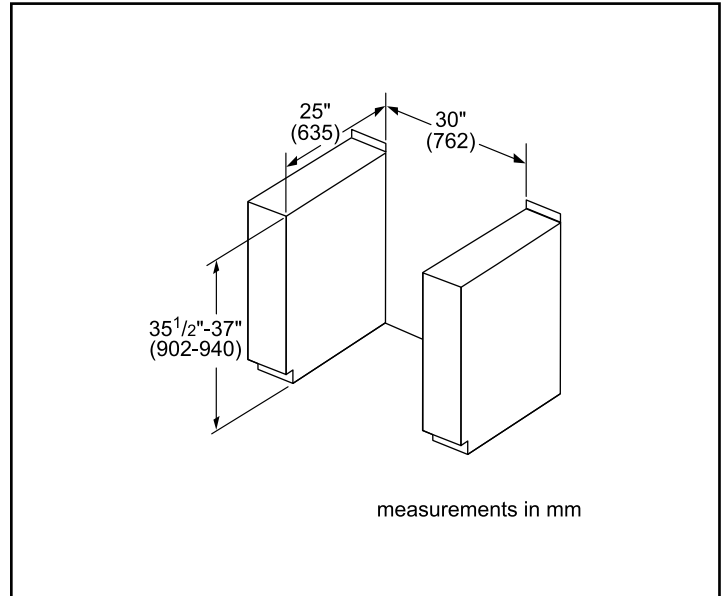
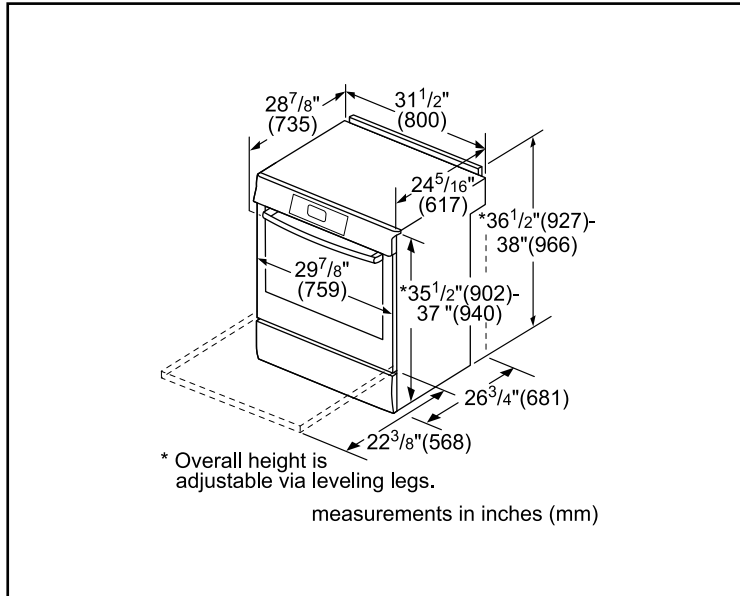


**BOSCH**

Invented for life



## Installation Details



**Accessories:** To purchase Bosch accessories, cleaners & parts please visit [www.bosch-home.com/us/store](http://www.bosch-home.com/us/store) or call 1-800-944-2904 (Mon to Fri 5 am to 6 pm PST, Sat 6 am to 3 pm PST).

**Notes:** All height, width and depth dimensions are shown in inches. BSH reserves the absolute and unrestricted right to change product materials and specifications, at any time, without notice. Consult the product's installation instructions for final dimensional data and other details prior to making cutout.

**Warranties:** Please see Use & Care manual or Bosch website for statement of limited warranty.

**For more information on our entire line of products, go to [www.bosch-home.com/us](http://www.bosch-home.com/us) or call 1-800-944-2904**

© BSH Home Appliances Corporation. All rights reserved. Bosch is a registered trademark of Robert Bosch GmbH.