



Design Guide

REVISED 3/2022



Contents

3	Classic Series Refrigeration
36	PRO Series Refrigeration
44	Designer Series Refrigeration
54	Wine Storage
88	Designer Undercounter Refrigeration
96	Undercounter Ice Maker
100	Sub-Zero Warranty



Features and specifications are subject to change at any time without notice. Visit subzero.com/specs for the most up-to-date information.

Throughout this guide, dimensions may vary by $\pm \frac{1}{8}$ " (3). Dimensions in parentheses are millimeters unless otherwise specified.

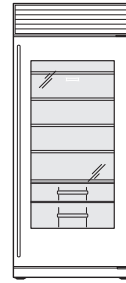
Classic Series Refrigeration

For Classic Series refrigeration, Sub-Zero designers and engineers took a fresh look at everything, inside and out. Exterior refinements include redesigned grilles and lower-profile hinges. Inside, new technology in food preservation makes Classic Series refrigeration nothing short of revolutionary.

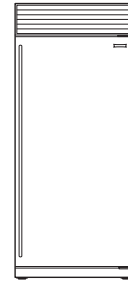
CLASSIC SERIES MODELS



BI-36R



BI-36RG



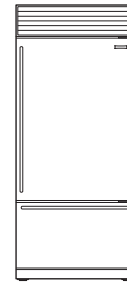
BI-36F



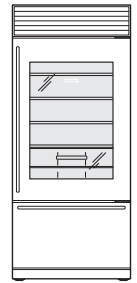
BI-30U



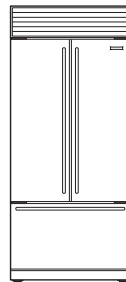
BI-30UG



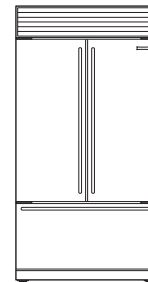
BI-36U(ID)



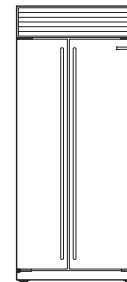
BI-36UG



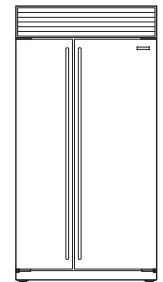
BI-36UFD(ID)



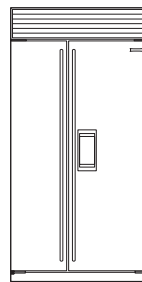
BI-42UFD(ID)



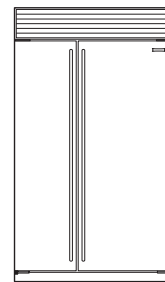
BI-36S



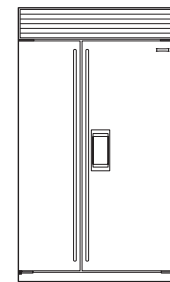
BI-42S(ID)



BI-42SD



BI-48S(ID)



BI-48SD

Classic Series Design Options

FRAMED

Choose framed custom door panels that contrast with the stainless steel full-length handles and louvered grille (shown). The framed application is an overlay model with framed design features. Panel, grille, and handle options are available.

Panels: Custom panels, stainless steel, or white enamel.

Grille: Classic louvered grille insert or solid custom panel for 84" (standard), 83", or 88" overall unit height. Dual wide grille for dual installations.

Handles: Full-length standard or extended handles.

OVERLAY

Custom overlay door panels can be combined with unique handle hardware for design flexibility. Shown with the pro handle option to complement Wolf ranges. Customize with panel, grille, and handle options.

Panels: Custom panels or stainless steel.

Grille: Solid custom panel or pro louvered grille for 84" (standard), 83", or 88" overall unit height. Dual wide grille for dual installations.

Handles: Custom, tubular, or pro handles.



Framed



Overlay

Classic Series Design Options

FLUSH INSET

The flush inset design option allows for flush door and grille panels and custom handle hardware. Shown with the tubular handle option to match Wolf built-in ovens. The flush inset application is an overlay model with flush inset panels. Customize with panel, grille, and handle options.

Panels: Custom panels or stainless steel.

Grille: Solid custom panel or pro louvered grille for 84" (standard), 83", or 88" overall unit height. Dual wide grille for dual installations.

Handles: Custom, tubular, or pro handles.

STAINLESS STEEL

Stainless steel models require no customization. To complement the look of Wolf ranges, choose the pro handle option (shown). Grille and handle options are available.

Grille: Pro louvered grille for 84" (standard), 83", or 88" overall unit height. Dual wide grille for dual installations.

Handles: Tubular or pro handles.



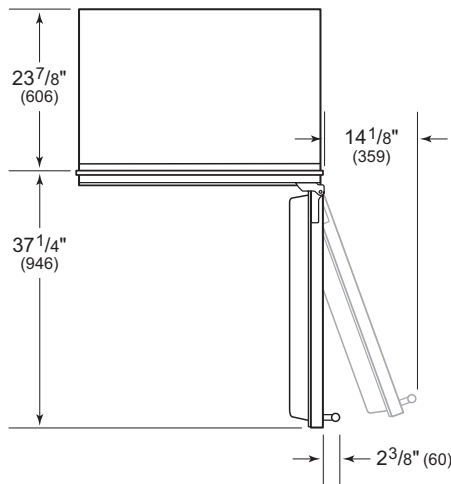
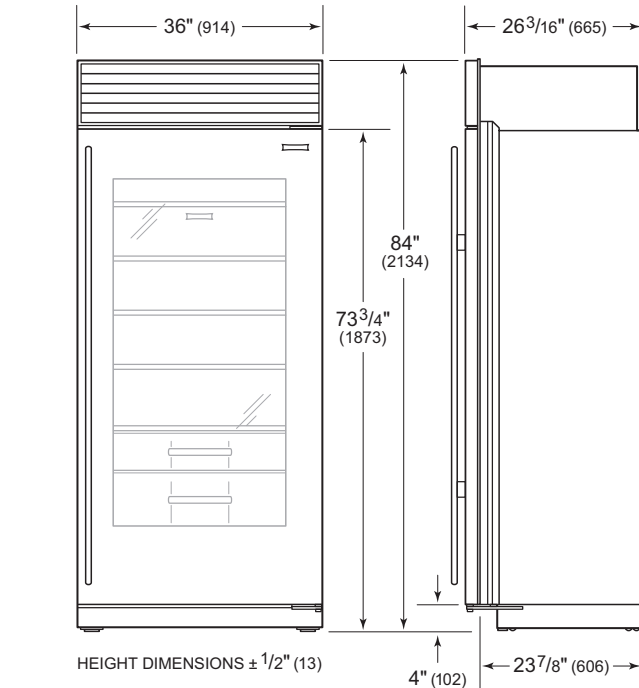
Flush inset



Stainless steel

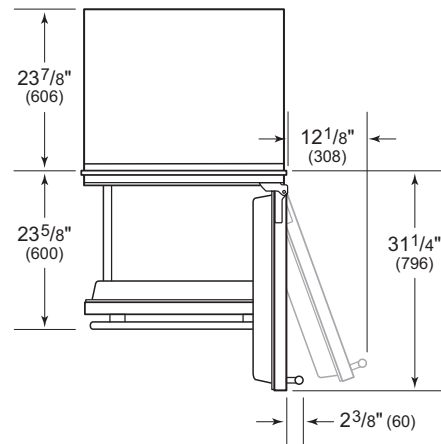
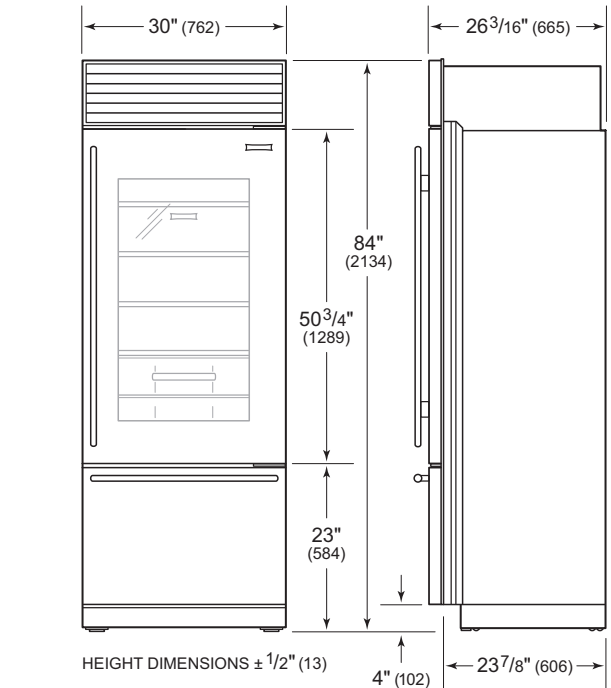
Overall Dimensions

ALL REFRIGERATOR / ALL FREEZER



Model BI-36R, BI-36RG, BI-36F

OVER-AND-UNDER

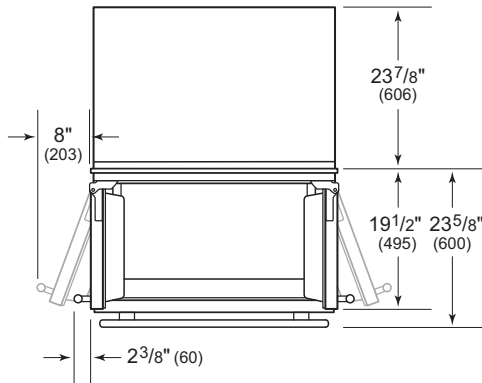
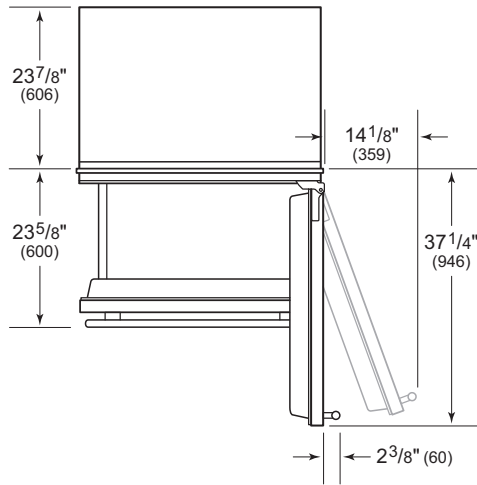
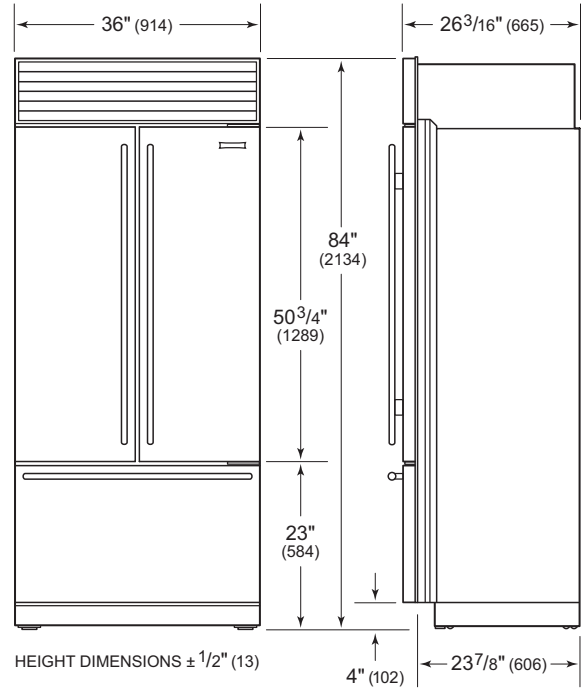
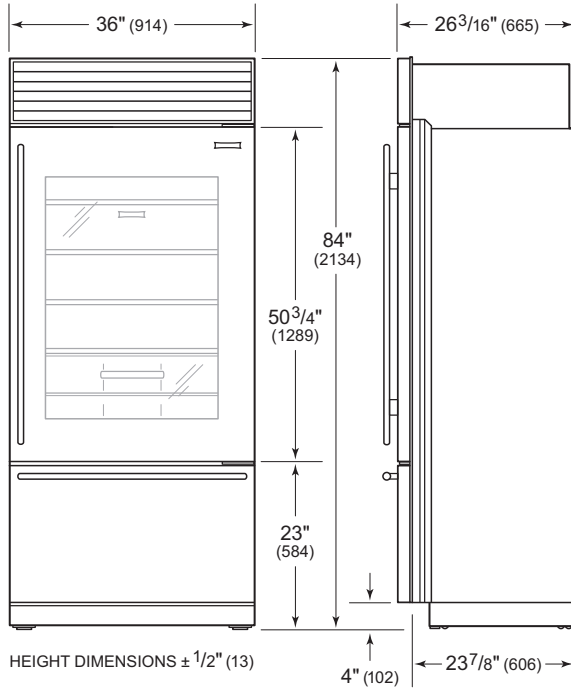


Model BI-30U, BI-30UG

IMPORTANT NOTE: Overall dimensions are based on stainless steel models. For flush inset applications, add 1/2" (13) to door clearance dimensions.

Overall Dimensions

OVER-AND-UNDER

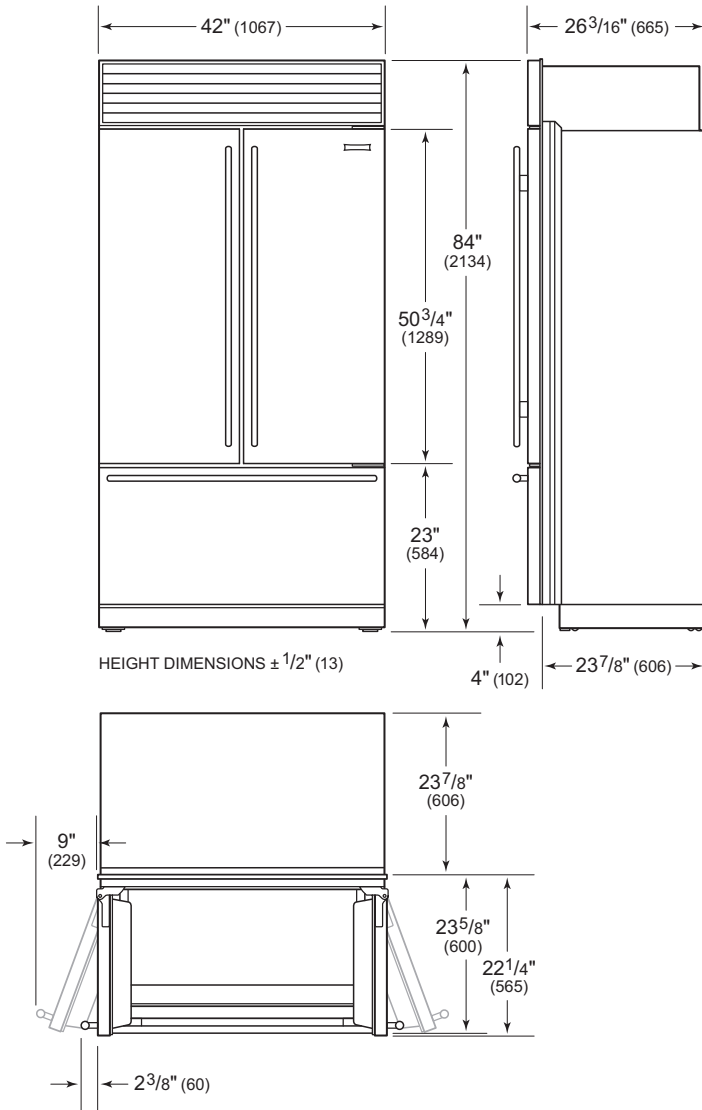


Model BI-36U(ID), BI-36UG

Model BI-36UFD(ID)

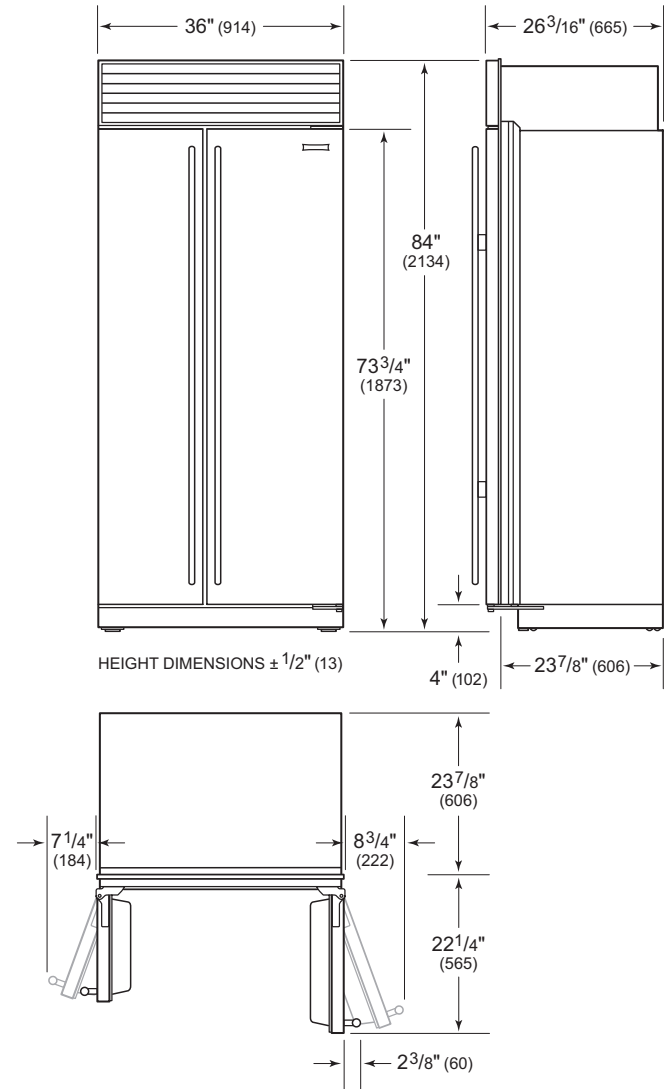
Overall Dimensions

OVER-AND-UNDER



Model BI-42UFD(ID)

SIDE-BY-SIDE

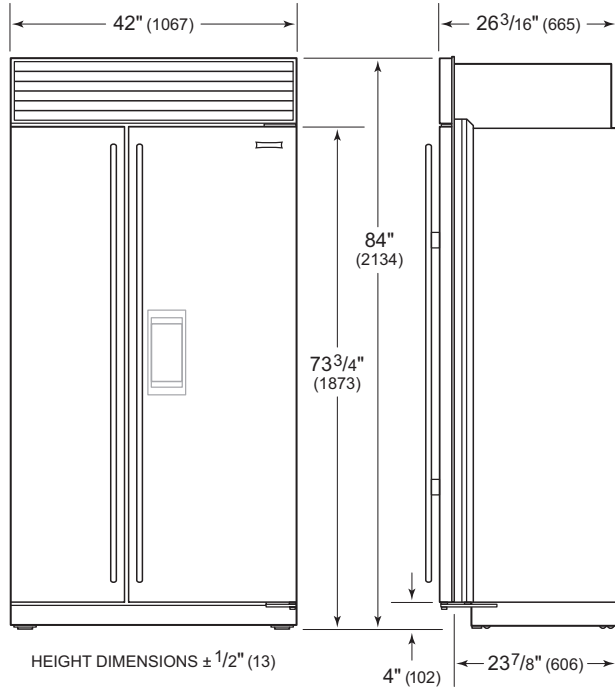


Model BI-36S

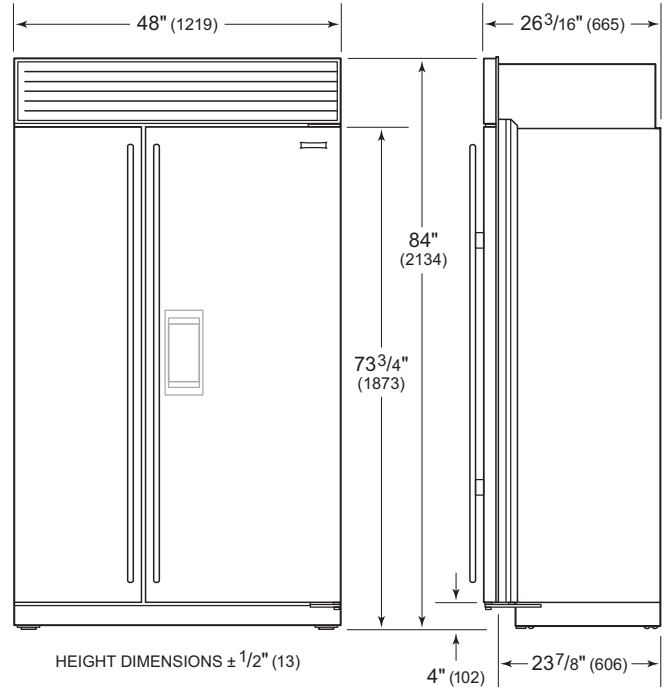
IMPORTANT NOTE: Overall dimensions are based on stainless steel models. For flush inset applications, add 1/2" (13) to door clearance dimensions.

Overall Dimensions

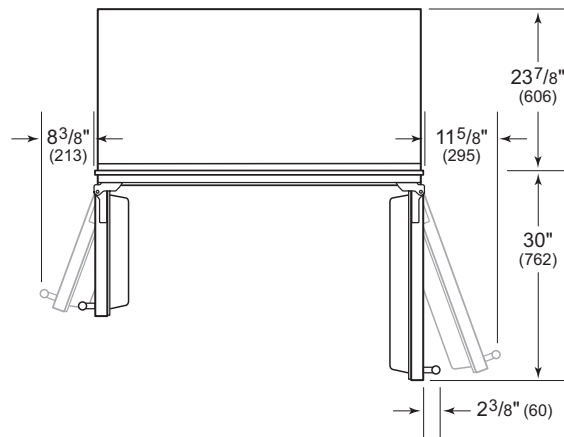
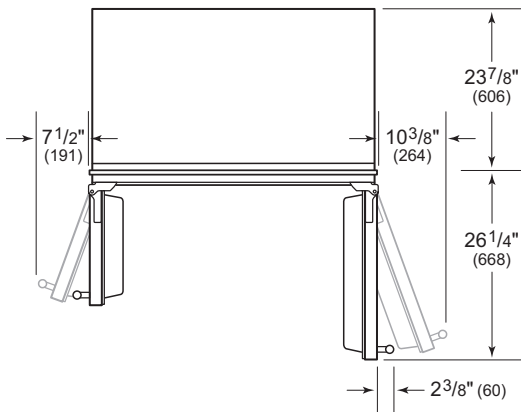
SIDE-BY-SIDE



Model BI-42S(ID), BI-42SD

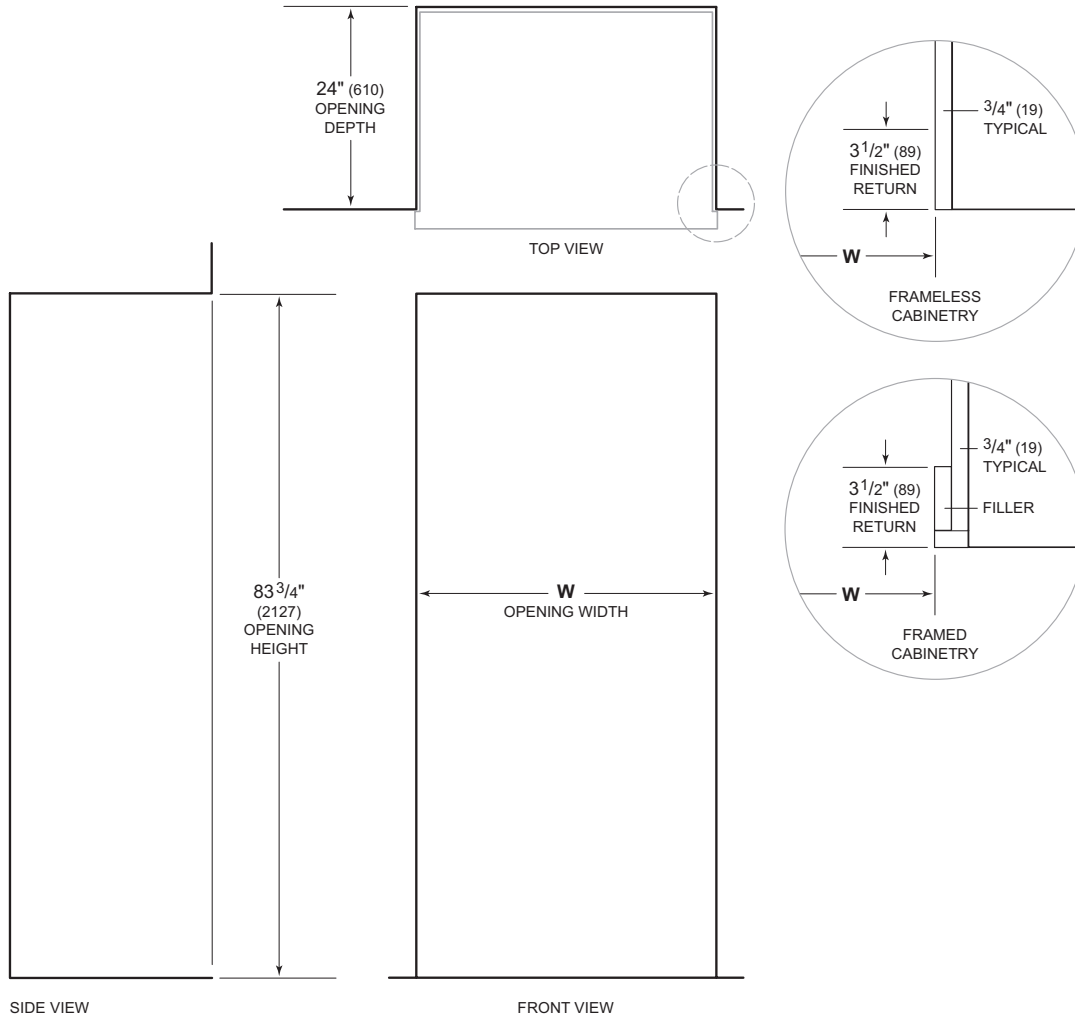


Model BI-48S(ID), BI-48SD



Opening Dimensions

STANDARD INSTALLATION



NOTE: 3 1/2" (89) finished returns will be visible and should be finished to match cabinetry. Shaded line represents profile of unit.

OPENING WIDTH

W

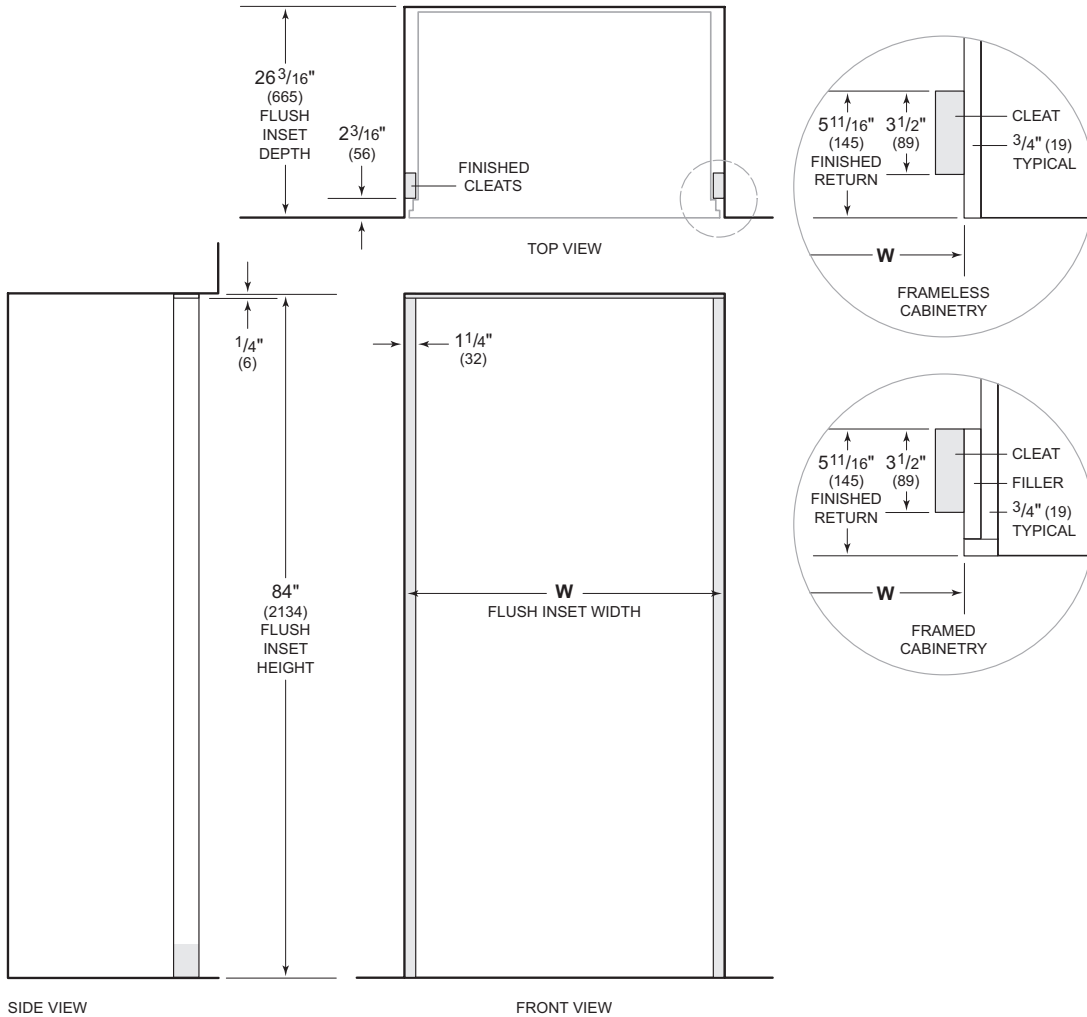
30" Model	29 1/2" (749)
36" Model	35 1/2" (902)
42" Model	41 1/2" (1054)
48" Model	47 1/2" (1206)

If an 83" (2108) grille height is specified, the opening height must be decreased by 7/8" (22). If an 88" (2235) grille height is specified, the opening height must be increased by 4" (102).

If two units are installed side by side, refer to page 12 for dual standard installations.

Opening Dimensions

FLUSH INSET INSTALLATION



NOTE: $3\frac{1}{2}$ " (89) finished returns and shaded areas will be visible and should be finished to match cabinetry. Shaded line represents profile of unit with $\frac{3}{4}$ " (19) panel.

FLUSH INSET WIDTH

W

30" Model	32" (813)
36" Model	38" (965)
42" Model	44" (1118)
48" Model	50" (1270)

Flush inset is available for overlay models only.

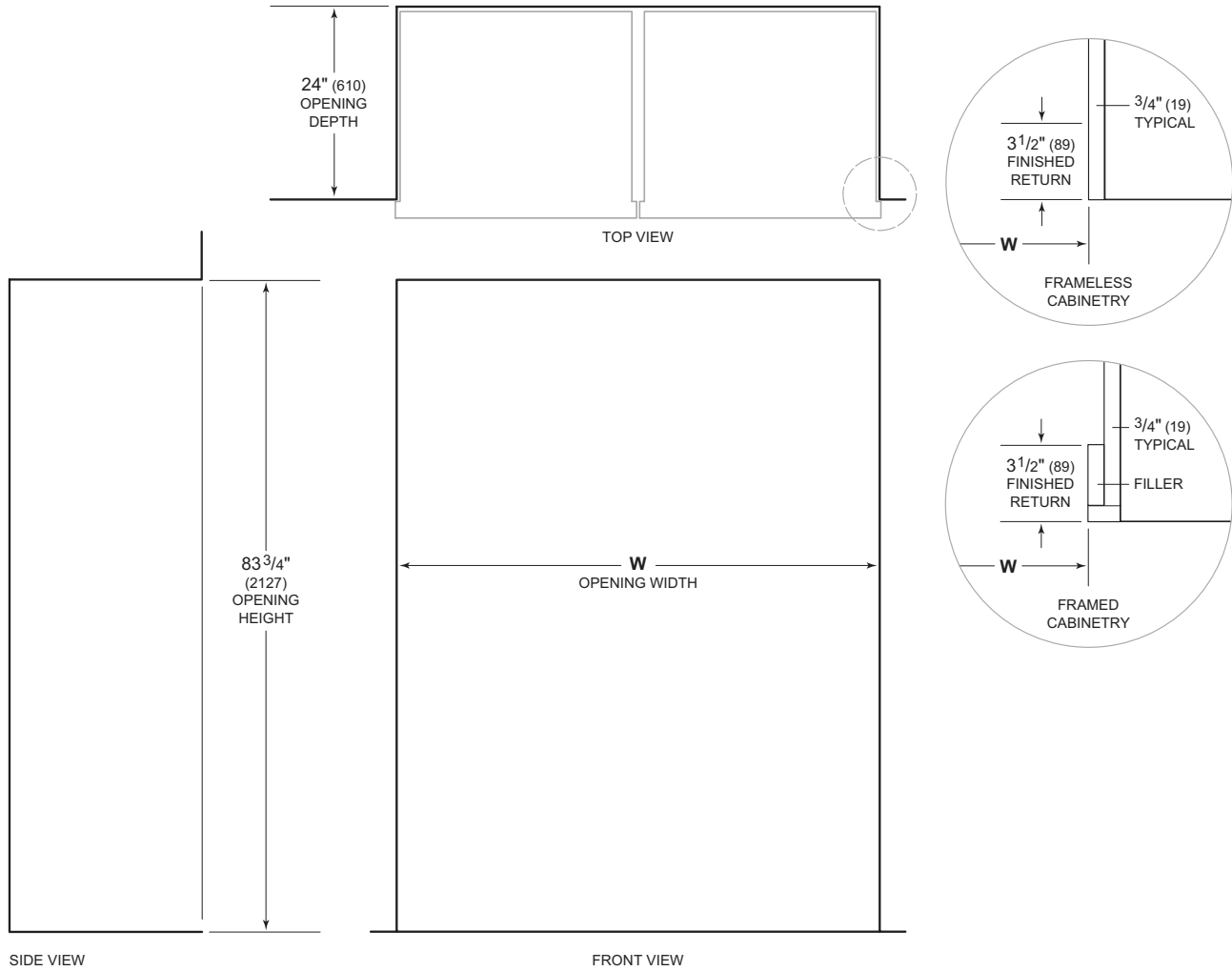
Dimensions assume a $\frac{3}{4}$ " (19) panel thickness.

If an 83" (2108) grille height is specified, the flush inset height must be decreased by $\frac{7}{8}$ " (22). If an 88" (2235) grille height is specified, the flush inset height must be increased by 4" (102).

If two units are installed side by side, refer to page 13 for dual flush inset installations.

Opening Dimensions

DUAL STANDARD INSTALLATION



NOTE: 3 1/2" (89) finished returns will be visible and should be finished to match cabinetry. Shaded line represents profile of unit.

DUAL OPENING WIDTH

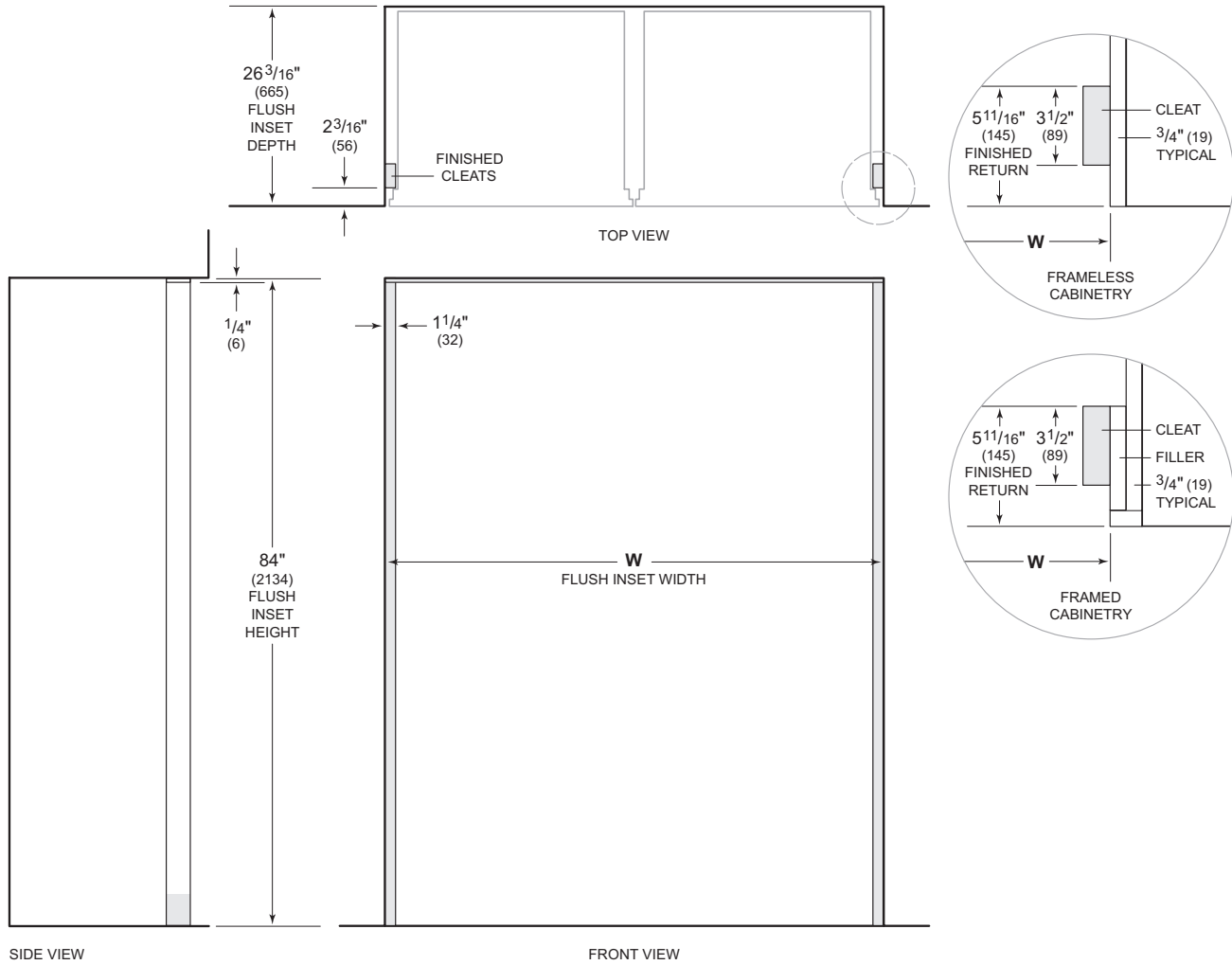
W

Two 30" Models	59 3/4" (1518)
30" and 36" Models	65 3/4" (1670)
Two 36" Models	71 3/4" (1822)

A dual installation kit is required for this installation.

Opening Dimensions

DUAL FLUSH INSET INSTALLATION



NOTE: 3 1/2" (89) finished returns and shaded areas will be visible and should be finished to match cabinetry. Shaded line represents profile of unit with 3/4" (19) panel.

DUAL FLUSH INSET WIDTH

W

Two 30" Models	62 1/4" (1581)
30" and 36" Models	68 1/4" (1734)
Two 36" Models	74 1/4" (1886)

Flush inset is available for overlay models only.

Dimensions assume a 3/4" (19) panel thickness. A dual installation kit is required for this installation.

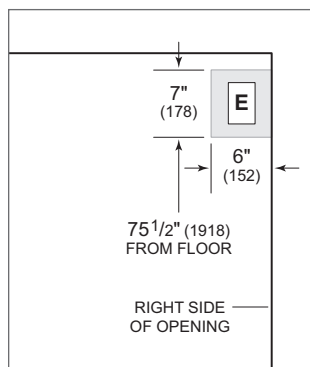
Electrical Requirements

The electrical supply should be located within the shaded area shown in the illustration below. A separate circuit servicing only this appliance is required. A ground fault circuit interrupter (GFCI) is not recommended and may cause interruption of operation.

Installation must comply with all applicable electrical codes.

ELECTRICAL REQUIREMENTS

Electrical Supply	115 VAC, 60 Hz
Service	15 amp dedicated circuit
Receptacle	3-prong grounding-type



Electrical supply location

Plumbing Requirements

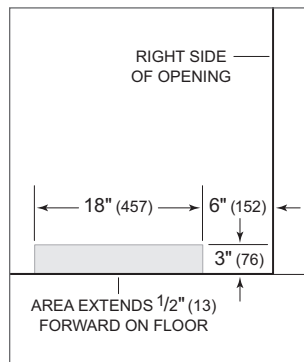
Locate the water supply line within the shaded area shown in the illustration below. Connect the water supply line to the house supply with an easily accessible shut-off valve. Do not use self-piercing valves. The water supply line must not interfere with the installation of the anti-tip brackets.

A reverse osmosis system can be used provided there is constant water pressure of 35–120 psi (2.4–8.3 bar) supplied to the unit at all times. A copper line is not recommended for this application.

Installation must comply with all applicable plumbing codes.

PLUMBING REQUIREMENTS

Water Supply	1/4" OD copper, braided stainless steel, or PEX tubing
Pressure	35–120 psi (2.4–8.3 bar)
Excess Line for Connection	36" (914)



Water supply location

Custom Panels

For all models excluding stainless steel, door panels and handles must be provided. Refer to Panel Requirements below and the charts on pages 18–23 for custom panel dimensions for your specific design application.

IMPORTANT NOTE: Do not cover a glass door with a solid panel.

Finish all sides of the custom panels. They may be visible when the door is open or through the window of glass door models.

PANEL REQUIREMENTS

WEIGHT PER PANEL	MAX
BI-36R, BI-36RG, BI-36F	75 lb (34 kg)
All Other Models	50 lb (23 kg)
Grille Panel	13 lb (6 kg)

PANEL THICKNESS	MIN
Framed	1/4" (6)
Overlay and Flush Inset	5/8" (16)

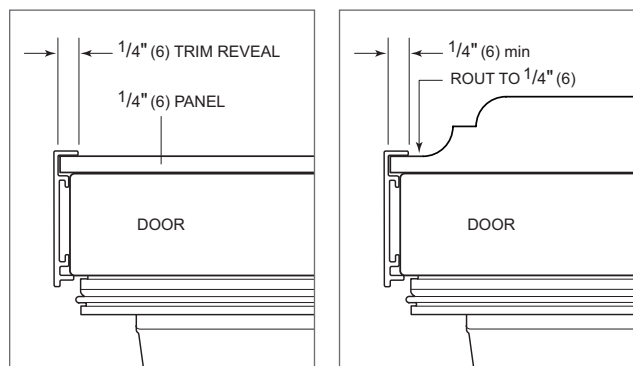
FRAMED PANELS

The framed application is an overlay model with framed design features. It is not a separate model.

If the custom panel is thinner than 1/4" (6), a filler material must be added to achieve a proper fit. If the panel is thicker than 1/4" (6), rout an edge around the panel or mount the custom panel on a sheet of 1/4" (6) thick material and insert into the channel. Refer to the illustrations below.

Routing, recessing, or optional extended handles may be required for finger clearance. Refer to the full-scale template on page 30.

When installing two units side by side, refer to page 12 for dual standard installations.



Panel 1/4" thick or less

Panel thicker than 1/4"

Custom Panels

PARTIAL FRAMED OPTION

The partial framed kit includes a stainless steel panel for above and below the external dispenser. Refer to the chart below for panel width. The kit is available through an authorized Sub-Zero dealer. For local dealer information, visit the find a showroom section of our website, subzero.com.

PARTIAL FRAMED PANEL

W

BI-42SD	15 ¹ / ₁₆ " (383)
BI-48SD	18 ³ / ₄ " (476)

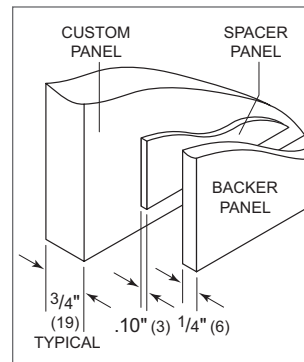
PANEL MOUNTING KIT

The Sub-Zero custom panel mounting kit eliminates the need for the backer and spacer panels and is available through an authorized Sub-Zero dealer. For local dealer information, visit the find a showroom section of our website, subzero.com. The kit consists of mounting cleats, screws, and gages used to properly position the cleats. The kit is available for all Classic Series models except glass door models. Dual installations require two mounting kits.

OVERLAY PANELS

Overlay panels are typically created by combining a ³/₄" (19) custom panel, a .10" (3) spacer panel, and a ¹/₄" (6) backer panel. Refer to the illustration below.

When installing two units side by side, refer to page 12 for dual standard installations.



Panel assembly (rear view)

Custom Panels

FLUSH INSET PANELS

The flush inset application is an overlay model with flush inset panels. It is not a separate model.

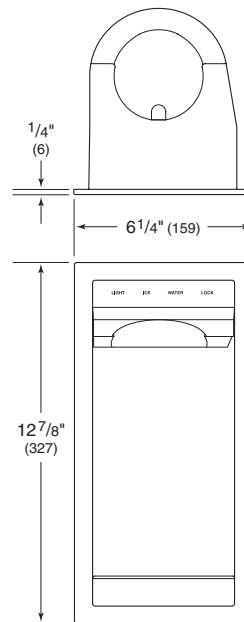
The flush inset design allows custom panels to be installed flush with adjacent cabinets. Similar to overlay, flush inset panels are typically created by combining a $\frac{3}{4}$ " (19) custom panel, a .10" (3) spacer panel, and a $\frac{1}{4}$ " (6) backer panel. Refer to the illustrations for overlay panels.

For flush inset panels thicker than $\frac{3}{4}$ " (19), a 90° door stop may be required to prevent interference with adjacent cabinets. Refer to the full-scale templates at the end of this guide.

When installing two units side by side, refer to page 13 for dual flush inset installations.

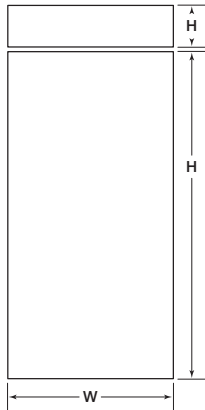
ICE AND WATER DISPENSER

For models BI-42SD and BI-48SD, the refrigerator door panel must include a cutout to accommodate the external dispenser. The bezel will accommodate a $\frac{1}{4}$ " (6) thick panel for framed applications and a $\frac{3}{4}$ " (19) thick panel for overlay and flush inset applications. Panels thicker than $\frac{3}{4}$ " (19) must be routed to $\frac{3}{4}$ " (22) in the dispenser area ($1\frac{1}{8}$ " (29) including the backer and spacer panels).

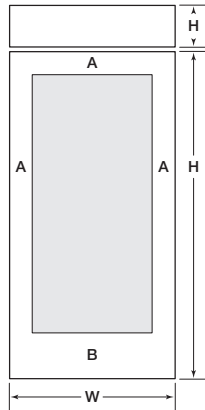


Dispenser dimensions

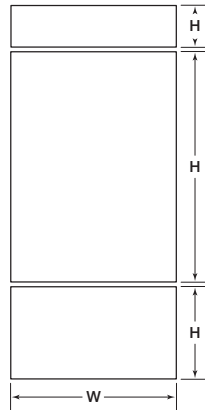
Framed Panel Dimensions



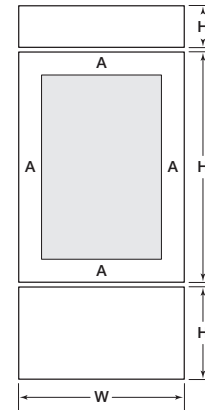
BI-36R, BI-36F



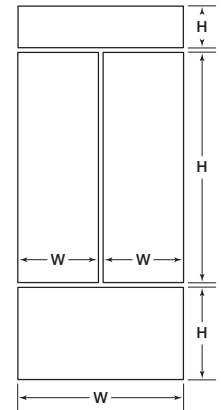
BI-36RG



BI-30U, BI-36U(ID)



BI-30UG, BI-36UG



BI-36UFD(ID),
BI-42UFD(ID)

MODEL BI-36R, BI-36RG, BI-36F

REFRIGERATOR / FREEZER	W	H
Door Panel	35 3/4" (908)	69 9/16" (1767)
GRILLE (OPTIONAL)	W	H
Grille Panel	35 3/4" (908)	8 15/16" (227)
BI-36RG	A	B
Stiles / Rails	5 3/16" (132)	10 5/16" (262)

MODEL BI-30U, BI-30UG

REFRIGERATOR	W	H
Door Panel	29 3/4" (756)	49 15/16" (1268)
FREEZER	W	H
Drawer Panel	29 3/4" (756)	18 11/16" (475)
GRILLE (OPTIONAL)	W	H
Grille Panel	29 3/4" (756)	8 15/16" (227)
BI-30UG	A	
Stiles / Rails	5 3/16" (132)	

MODEL BI-36U(ID), BI-36UG

REFRIGERATOR	W	H
Door Panel	35 3/4" (908)	49 15/16" (1268)
FREEZER	W	H
Drawer Panel	35 3/4" (908)	18 11/16" (475)
GRILLE (OPTIONAL)	W	H
Grille Panel	35 3/4" (908)	8 15/16" (227)
BI-36UG	A	
Stiles / Rails	5 3/16" (132)	

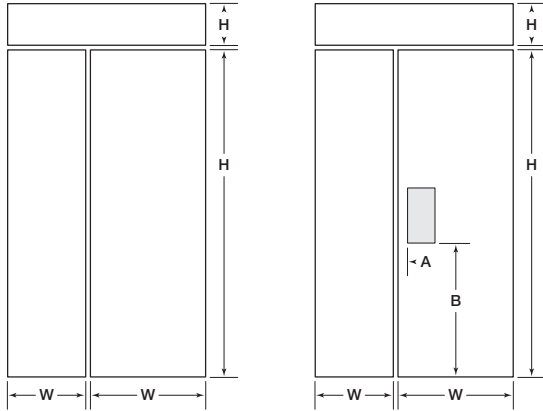
MODEL BI-36UFD(ID)

REFRIGERATOR (2 PANELS)	W	H
Door Panel	17 5/8" (448)	49 15/16" (1268)
FREEZER	W	H
Drawer Panel	35 3/4" (908)	18 11/16" (475)
GRILLE (OPTIONAL)	W	H
Grille Panel	35 3/4" (908)	8 15/16" (227)

MODEL BI-42UFD(ID)

REFRIGERATOR (2 PANELS)	W	H
Door Panel	20 5/8" (524)	49 15/16" (1268)
FREEZER	W	H
Drawer Panel	41 3/4" (1060)	18 11/16" (475)
GRILLE (OPTIONAL)	W	H
Grille Panel	41 3/4" (1060)	8 15/16" (227)

Framed Panel Dimensions



BI-36S, BI-42S(ID),
BI-48S(ID)

BI-42SD, BI-48SD

MODEL BI-36S

REFRIGERATOR	W	H
Door Panel	19 ¹³ / ₁₆ " (503)	69 ⁹ / ₁₆ " (1767)
FREEZER	W	H
Door Panel	15 ⁷ / ₁₆ " (392)	69 ⁹ / ₁₆ " (1767)
GRILLE (OPTIONAL)	W	H
Grille Panel	35 ³ / ₄ " (908)	8 ¹⁵ / ₁₆ " (227)

MODEL BI-42S, BI-42SID, BI-42SD

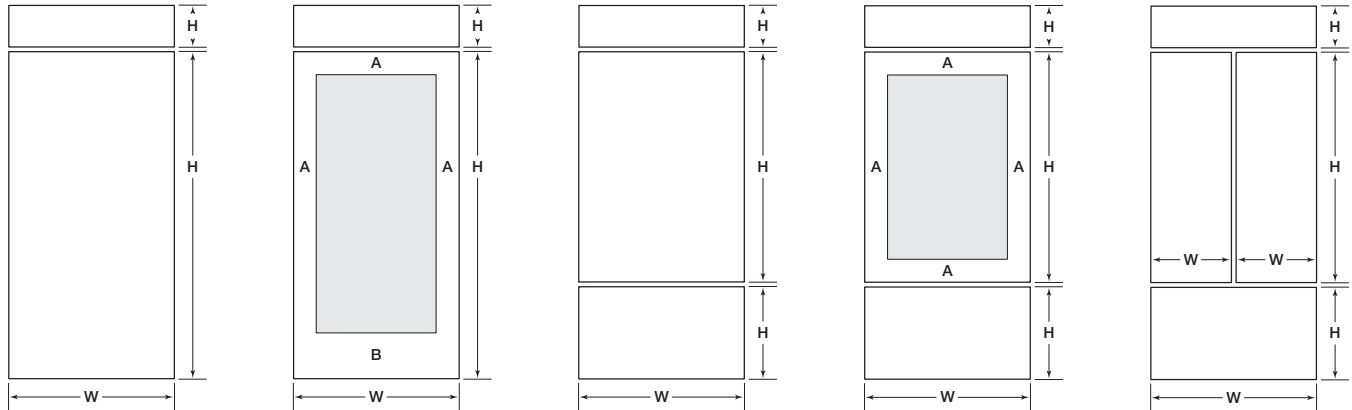
REFRIGERATOR	W	H
Door Panel	24 ¹³ / ₁₆ " (630)	69 ⁹ / ₁₆ " (1767)
FREEZER	W	H
Door Panel	16 ⁷ / ₁₆ " (418)	69 ⁹ / ₁₆ " (1767)
GRILLE (OPTIONAL)	W	H
Grille Panel	41 ³ / ₄ " (1060)	8 ¹⁵ / ₁₆ " (227)
BI-42SD	W	H
Dispenser Cutout*	5 ⁷ / ₈ " (149)	12 ⁷ / ₁₆ " (316)
Cutout Location	A 1 ⁷ / ₈ " (48)	B 28 ³ / ₄ " (730)

MODEL BI-48S, BI-48SID, BI-48SD

REFRIGERATOR	W	H
Door Panel	28 ¹ / ₂ " (724)	69 ⁹ / ₁₆ " (1767)
FREEZER	W	H
Door Panel	18 ³ / ₄ " (476)	69 ⁹ / ₁₆ " (1767)
GRILLE (OPTIONAL)	W	H
Grille Panel	47 ³ / ₄ " (1213)	8 ¹⁵ / ₁₆ " (227)
BI-48SD	W	H
Dispenser Cutout*	5 ⁷ / ₈ " (149)	12 ⁷ / ₁₆ " (316)
Cutout Location	A 1 ⁷ / ₈ " (48)	B 28 ³ / ₄ " (730)

*For models BI-42SD and BI-48SD, panel thickness in dispenser area can range from ¹/₄" (6) to ¹/₂" (29) max. If panel is thicker, rout out ¹/₄" (6) min flat landing area to accommodate dispenser.

Overlay Panel Dimensions



BI-36R, BI-36F

BI-36RG

BI-30U, BI-36U(ID)

BI-30UG, BI-36UG

BI-36UFD(ID),
BI-42UFD(ID)

MODEL BI-36R, BI-36RG, BI-36F

REFRIGERATOR / FREEZER	W	H
Overlay Panel	36" (914)	69 ³ / ₄ " (1772)
Spacer Panel	35 ¹ / ₈ " (892)	68 ¹⁵ / ₁₆ " (1751)
Backer Panel	35 ³ / ₄ " (908)	69 ⁹ / ₁₆ " (1767)

GRILLE	W	H
Overlay Panel	36" (914)	9 ¹ / ₄ " (235)*
Spacer Panel	35 ¹ / ₈ " (892)	8 ⁵ / ₁₆ " (211)
Backer Panel	35 ³ / ₄ " (908)	8 ¹⁵ / ₁₆ " (227)

BI-36RG	A	B
Stiles / Rails	5 ¹ / ₄ " (133)	10 ³ / ₈ " (264)

MODEL BI-30U, BI-30UG

REFRIGERATOR	W	H
Overlay Panel	30" (762)	50 ¹ / ₈ " (1273)
Spacer Panel	29 ¹ / ₈ " (740)	49 ⁵ / ₁₆ " (1253)
Backer Panel	29 ³ / ₄ " (756)	49 ¹⁵ / ₁₆ " (1268)

FREEZER	W	H
Overlay Panel	30" (762)	19" (483)
Spacer Panel	29 ¹ / ₈ " (740)	18 ¹ / ₁₆ " (459)
Backer Panel	29 ³ / ₄ " (756)	18 ¹¹ / ₁₆ " (475)

GRILLE	W	H
Overlay Panel	30" (762)	9 ¹ / ₄ " (235)*
Spacer Panel	29 ¹ / ₈ " (740)	8 ⁵ / ₁₆ " (211)
Backer Panel	29 ³ / ₄ " (756)	8 ¹⁵ / ₁₆ " (227)

BI-30UG	A
Stiles / Rails	5 ¹ / ₄ " (133)

MODEL BI-36U(ID), BI-36UG

REFRIGERATOR	W	H
Overlay Panel	36" (914)	50 ¹ / ₈ " (1273)
Spacer Panel	35 ¹ / ₈ " (892)	49 ⁵ / ₁₆ " (1253)
Backer Panel	35 ³ / ₄ " (908)	49 ¹⁵ / ₁₆ " (1268)

FREEZER	W	H
Overlay Panel	36" (914)	19" (483)
Spacer Panel	35 ¹ / ₈ " (892)	18 ¹ / ₁₆ " (459)
Backer Panel	35 ³ / ₄ " (908)	18 ¹¹ / ₁₆ " (475)

GRILLE	W	H
Overlay Panel	36" (914)	9 ¹ / ₄ " (235)*
Spacer Panel	35 ¹ / ₈ " (892)	8 ⁵ / ₁₆ " (211)
Backer Panel	35 ³ / ₄ " (908)	8 ¹⁵ / ₁₆ " (227)

BI-36UG	A
Stiles / Rails	5 ¹ / ₄ " (133)

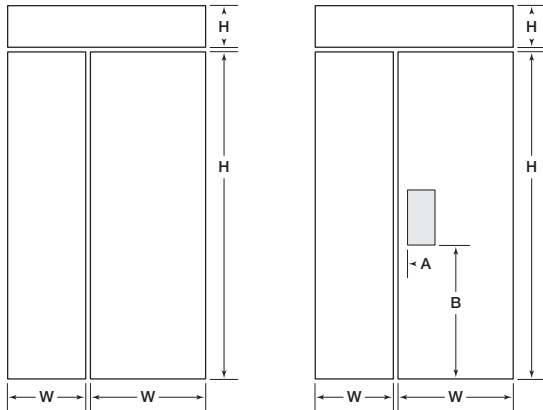
MODEL BI-36UFD(ID)

REFRIGERATOR (2 PANELS)	W	H
Overlay Panel	17 ⁷ / ₈ " (454)	50 ¹ / ₈ " (1273)
Spacer Panel	17" (432)	49 ⁵ / ₁₆ " (1253)
Backer Panel	17 ⁵ / ₈ " (448)	49 ¹⁵ / ₁₆ " (1268)

FREEZER	W	H
Overlay Panel	36" (914)	19" (483)
Spacer Panel	35 ¹ / ₈ " (892)	18 ¹ / ₁₆ " (459)
Backer Panel	35 ³ / ₄ " (908)	18 ¹¹ / ₁₆ " (475)

GRILLE	W	H
Overlay Panel	36" (914)	9 ¹ / ₄ " (235)*
Spacer Panel	35 ¹ / ₈ " (892)	8 ⁵ / ₁₆ " (211)
Backer Panel	35 ³ / ₄ " (908)	8 ¹⁵ / ₁₆ " (227)

Overlay Panel Dimensions



BI-36S, BI-42S(ID),
BI-48S(ID)

BI-42SD, BI-48SD

MODEL BI-42UFD(ID)

	W	H
REFRIGERATOR (2 PANELS)		
Overlay Panel	20 ⁷ / ₈ " (530)	50 ¹ / ₈ " (1273)
Spacer Panel	20" (508)	49 ⁵ / ₁₆ " (1253)
Backer Panel	20 ⁵ / ₈ " (524)	49 ¹⁵ / ₁₆ " (1268)
FREEZER		
Overlay Panel	42" (1067)	19" (483)
Spacer Panel	41 ¹ / ₈ " (1045)	18 ¹ / ₁₆ " (459)
Backer Panel	41 ³ / ₄ " (1060)	18 ¹¹ / ₁₆ " (475)
GRILLE		
Overlay Panel	42" (1067)	9 ¹ / ₄ " (235)*
Spacer Panel	41 ¹ / ₈ " (1045)	8 ⁵ / ₁₆ " (211)
Backer Panel	41 ³ / ₄ " (1060)	8 ¹⁵ / ₁₆ " (227)

MODEL BI-36S

	W	H
REFRIGERATOR		
Overlay Panel	20 ¹ / ₁₆ " (510)	69 ³ / ₄ " (1772)
Spacer Panel	19 ³ / ₁₆ " (487)	68 ¹⁵ / ₁₆ " (1751)
Backer Panel	19 ¹³ / ₁₆ " (503)	69 ⁹ / ₁₆ " (1767)
FREEZER		
Overlay Panel	15 ¹ / ₁₆ " (398)	69 ³ / ₄ " (1772)
Spacer Panel	14 ¹³ / ₁₆ " (376)	68 ¹⁵ / ₁₆ " (1751)
Backer Panel	15 ⁷ / ₁₆ " (392)	69 ⁹ / ₁₆ " (1767)
GRILLE		
Overlay Panel	36" (914)	9 ¹ / ₄ " (235)*
Spacer Panel	35 ¹ / ₈ " (892)	8 ⁵ / ₁₆ " (211)
Backer Panel	35 ³ / ₄ " (908)	8 ¹⁵ / ₁₆ " (227)

MODEL BI-42S, BI-42SID, BI-42SD

	W	H
REFRIGERATOR		
Overlay Panel	25 ¹ / ₁₆ " (637)	69 ³ / ₄ " (1772)
Spacer Panel	24 ³ / ₁₆ " (614)	68 ¹⁵ / ₁₆ " (1751)
Backer Panel	24 ¹³ / ₁₆ " (630)	69 ⁹ / ₁₆ " (1767)
FREEZER		
Overlay Panel	16 ¹¹ / ₁₆ " (424)	69 ³ / ₄ " (1772)
Spacer Panel	15 ¹³ / ₁₆ " (402)	68 ¹⁵ / ₁₆ " (1751)
Backer Panel	16 ⁷ / ₁₆ " (418)	69 ⁹ / ₁₆ " (1767)
GRILLE		
Overlay Panel	42" (1067)	9 ¹ / ₄ " (235)*
Spacer Panel	41 ¹ / ₈ " (1045)	8 ⁵ / ₁₆ " (211)
Backer Panel	41 ³ / ₄ " (1060)	8 ¹⁵ / ₁₆ " (227)
BI-42SD		
Dispenser Cutout	5 ⁷ / ₈ " (149)	12 ⁷ / ₁₆ " (316)
Cutout Location	A 2" (51)	B 28 ¹³ / ₁₆ " (732)

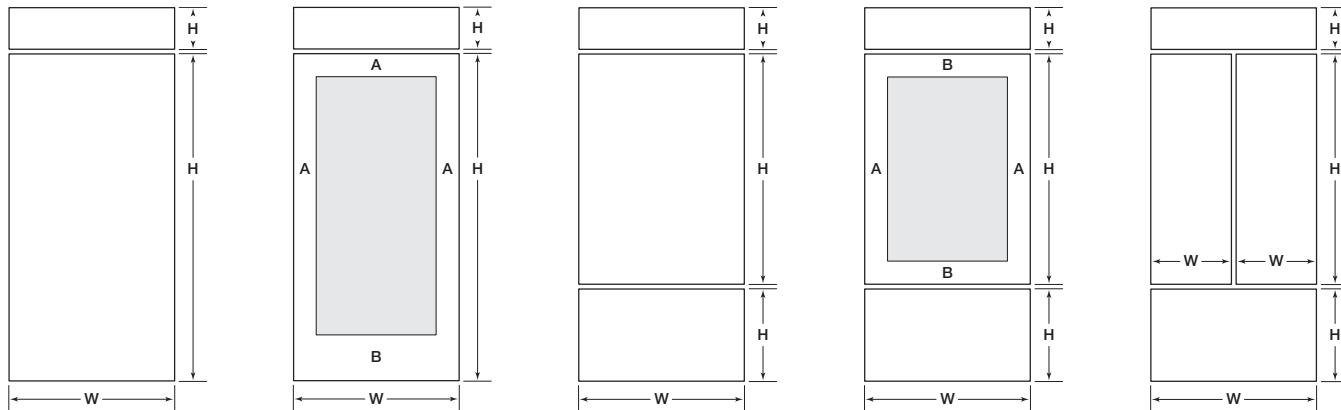
MODEL BI-48S, BI-48SID, BI-48SD

	W	H
REFRIGERATOR		
Overlay Panel	28 ³ / ₄ " (730)	69 ³ / ₄ " (1772)
Spacer Panel	27 ⁷ / ₈ " (708)	68 ¹⁵ / ₁₆ " (1751)
Backer Panel	28 ¹ / ₂ " (724)	69 ⁹ / ₁₆ " (1767)
FREEZER		
Overlay Panel	19" (483)	69 ³ / ₄ " (1772)
Spacer Panel	18 ¹ / ₈ " (460)	68 ¹⁵ / ₁₆ " (1751)
Backer Panel	18 ³ / ₄ " (476)	69 ⁹ / ₁₆ " (1767)
GRILLE		
Overlay Panel	48" (1219)	9 ¹ / ₄ " (235)*
Spacer Panel	47 ⁷ / ₈ " (1197)	8 ⁵ / ₁₆ " (211)
Backer Panel	47 ³ / ₄ " (1213)	8 ¹⁵ / ₁₆ " (227)
BI-48SD		
Dispenser Cutout	5 ⁷ / ₈ " (149)	12 ⁷ / ₁₆ " (316)
Cutout Location	A 2" (51)	B 28 ¹³ / ₁₆ " (732)

*Panel height may be increased by ⁷/₁₆" (11) to hide upper main frame. Also refer to Classic panel configurator at subzero.com/trade/panels.

Grille panel dimensions are for standard 84" (2134) overall unit height. For 83" (2108) height, subtract 1" (25) from grille panel height dimensions and for 88" (2235) height, add 4" (102). A specific panel grille must be ordered for an 83" or 88" overall unit height.

Flush Inset Panel Dimensions



BI-36R, BI-36F

BI-36RG

BI-30U, BI-36U(ID)

BI-30UG, BI-36UG

BI-36UFD(ID),
BI-42UFD(ID)

MODEL BI-36R, BI-36RG, BI-36F

REFRIGERATOR / FREEZER	W	H
Flush Inset Panel	37" (940)	69 ³ / ₄ " (1772)
Spacer Panel	35 ¹ / ₈ " (892)	68 ¹⁵ / ₁₆ " (1751)
Backer Panel	35 ³ / ₄ " (908)	69 ⁹ / ₁₆ " (1767)

GRILLE	W	H
Flush Inset Panel	37" (940)	9 ¹ / ₄ " (235)
Spacer Panel	35 ¹ / ₈ " (892)	8 ⁵ / ₁₆ " (211)
Backer Panel	35 ³ / ₄ " (908)	8 ¹⁵ / ₁₆ " (227)

BI-36RG	A	B
Stiles / Rails	5 ³ / ₄ " (146)	10 ³ / ₈ " (264)

MODEL BI-30U, BI-30UG

REFRIGERATOR	W	H
Flush Inset Panel	31" (787)	50 ¹ / ₈ " (1273)
Spacer Panel	29 ¹ / ₈ " (740)	49 ⁵ / ₁₆ " (1253)
Backer Panel	29 ³ / ₄ " (756)	49 ¹⁵ / ₁₆ " (1268)

FREEZER	W	H
Flush Inset Panel	31" (787)	19" (483)
Spacer Panel	29 ¹ / ₈ " (740)	18 ¹ / ₁₆ " (459)
Backer Panel	29 ³ / ₄ " (756)	18 ¹¹ / ₁₆ " (475)

GRILLE	W	H
Flush Inset Panel	31" (787)	9 ¹ / ₄ " (235)
Spacer Panel	29 ¹ / ₈ " (740)	8 ⁵ / ₁₆ " (211)
Backer Panel	29 ³ / ₄ " (756)	8 ¹⁵ / ₁₆ " (227)

BI-30UG	A	B
Stiles / Rails	5 ³ / ₄ " (146)	5 ¹ / ₄ " (133)

MODEL BI-36U(ID), BI-36UG

REFRIGERATOR	W	H
Flush Inset Panel	37" (940)	50 ¹ / ₈ " (1273)
Spacer Panel	35 ¹ / ₈ " (892)	49 ⁵ / ₁₆ " (1253)
Backer Panel	35 ³ / ₄ " (908)	49 ¹⁵ / ₁₆ " (1268)

FREEZER	W	H
Flush Inset Panel	37" (940)	19" (483)
Spacer Panel	35 ¹ / ₈ " (892)	18 ¹ / ₁₆ " (459)
Backer Panel	35 ³ / ₄ " (908)	18 ¹¹ / ₁₆ " (475)

GRILLE	W	H
Flush Inset Panel	37" (940)	9 ¹ / ₄ " (235)
Spacer Panel	35 ¹ / ₈ " (892)	8 ⁵ / ₁₆ " (211)
Backer Panel	35 ³ / ₄ " (908)	8 ¹⁵ / ₁₆ " (227)

BI-36UG	A	B
Stiles / Rails	5 ³ / ₄ " (146)	5 ¹ / ₄ " (133)

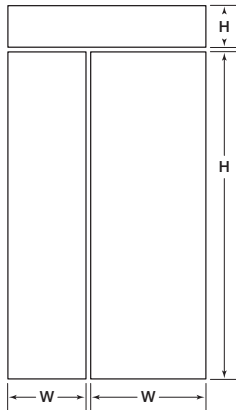
MODEL BI-36UFD(ID)

REFRIGERATOR (2 PANELS)	W	H
Flush Inset Panel	18 ³ / ₈ " (467)	50 ¹ / ₈ " (1273)
Spacer Panel	17" (432)	49 ⁵ / ₁₆ " (1253)
Backer Panel	17 ⁵ / ₈ " (448)	49 ¹⁵ / ₁₆ " (1268)

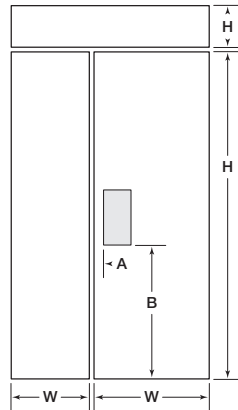
FREEZER	W	H
Flush Inset Panel	37" (940)	19" (483)
Spacer Panel	35 ¹ / ₈ " (892)	18 ¹ / ₁₆ " (459)
Backer Panel	35 ³ / ₄ " (908)	18 ¹¹ / ₁₆ " (475)

GRILLE	W	H
Flush Inset Panel	37" (940)	9 ¹ / ₄ " (235)
Spacer Panel	35 ¹ / ₈ " (892)	8 ⁵ / ₁₆ " (211)
Backer Panel	35 ³ / ₄ " (908)	8 ¹⁵ / ₁₆ " (227)

Flush Inset Panel Dimensions



BI-36S, BI-42S(ID),
BI-48S(ID)



BI-42SD, BI-48SD

MODEL BI-42UFD(ID)

REFRIGERATOR (2 PANELS)	W	H
Flush Inset Panel	21 ³ / ₈ " (543)	50 ¹ / ₈ " (1273)
Spacer Panel	20" (508)	49 ⁵ / ₁₆ " (1253)
Backer Panel	20 ⁵ / ₈ " (524)	49 ¹⁵ / ₁₆ " (1268)

FREEZER	W	H
Flush Inset Panel	43" (1092)	19" (483)
Spacer Panel	41 ¹ / ₈ " (1045)	18 ¹ / ₁₆ " (459)
Backer Panel	41 ³ / ₄ " (1060)	18 ¹¹ / ₁₆ " (475)

GRILLE	W	H
Flush Inset Panel	43" (1092)	9 ¹ / ₄ " (235)
Spacer Panel	41 ¹ / ₈ " (1045)	8 ⁵ / ₁₆ " (211)
Backer Panel	41 ³ / ₄ " (1060)	8 ¹⁵ / ₁₆ " (227)

MODEL BI-36S

REFRIGERATOR	W	H
Flush Inset Panel	20 ⁹ / ₁₆ " (522)	69 ³ / ₄ " (1772)
Spacer Panel	19 ³ / ₁₆ " (487)	68 ¹⁵ / ₁₆ " (1751)
Backer Panel	19 ¹³ / ₁₆ " (503)	69 ⁹ / ₁₆ " (1767)

FREEZER	W	H
Flush Inset Panel	16 ³ / ₁₆ " (411)	69 ³ / ₄ " (1772)
Spacer Panel	14 ¹³ / ₁₆ " (376)	68 ¹⁵ / ₁₆ " (1751)
Backer Panel	15 ⁷ / ₁₆ " (392)	69 ⁹ / ₁₆ " (1767)

GRILLE	W	H
Flush Inset Panel	37" (940)	9 ¹ / ₄ " (235)
Spacer Panel	35 ¹ / ₈ " (892)	8 ⁵ / ₁₆ " (211)
Backer Panel	35 ³ / ₄ " (908)	8 ¹⁵ / ₁₆ " (227)

MODEL BI-42S, BI-42SID, BI-42SD

REFRIGERATOR	W	H
Flush Inset Panel	25 ⁹ / ₁₆ " (649)	69 ³ / ₄ " (1772)
Spacer Panel	24 ³ / ₁₆ " (614)	68 ¹⁵ / ₁₆ " (1751)
Backer Panel	24 ¹³ / ₁₆ " (630)	69 ⁹ / ₁₆ " (1767)

FREEZER	W	H
Flush Inset Panel	17 ³ / ₁₆ " (437)	69 ³ / ₄ " (1772)
Spacer Panel	15 ¹³ / ₁₆ " (402)	68 ¹⁵ / ₁₆ " (1751)
Backer Panel	16 ⁷ / ₁₆ " (418)	69 ⁹ / ₁₆ " (1767)

GRILLE	W	H
Flush Inset Panel	43" (1092)	9 ¹ / ₄ " (235)
Spacer Panel	41 ¹ / ₈ " (1045)	8 ⁵ / ₁₆ " (211)
Backer Panel	41 ³ / ₄ " (1060)	8 ¹⁵ / ₁₆ " (227)

BI-42SD	W	H
Dispenser Cutout	5 ⁷ / ₈ " (149)	127 ¹ / ₁₆ " (316)
Cutout Location	A 2" (51)	B 28 ¹³ / ₁₆ " (732)

MODEL BI-48S, BI-48SID, BI-48SD

REFRIGERATOR	W	H
Flush Inset Panel	29 ¹ / ₄ " (743)	69 ³ / ₄ " (1772)
Spacer Panel	27 ⁷ / ₈ " (708)	68 ¹⁵ / ₁₆ " (1751)
Backer Panel	28 ¹ / ₂ " (724)	69 ⁹ / ₁₆ " (1767)

FREEZER	W	H
Flush Inset Panel	19 ¹ / ₂ " (495)	69 ³ / ₄ " (1772)
Spacer Panel	18 ¹ / ₈ " (460)	68 ¹⁵ / ₁₆ " (1751)
Backer Panel	18 ³ / ₄ " (476)	69 ⁹ / ₁₆ " (1767)

GRILLE	W	H
Flush Inset Panel	49" (1245)	9 ¹ / ₄ " (235)
Spacer Panel	47 ¹ / ₈ " (1197)	8 ⁵ / ₁₆ " (211)
Backer Panel	47 ³ / ₄ " (1213)	8 ¹⁵ / ₁₆ " (227)

BI-48SD	W	H
Dispenser Cutout	5 ⁷ / ₈ " (149)	127 ¹ / ₁₆ " (316)
Cutout Location	A 2" (51)	B 28 ¹³ / ₁₆ " (732)

Grille panel dimensions are for standard 84" (2134) overall unit height. For 83" (2108) height, subtract 1" (25) from grille panel height dimensions and for 88" (2235) height, add 4" (102). A specific panel grille must be ordered for an 83" or 88" overall unit height.

Flush Inset Panels

PANEL OFFSET

The illustrations provide panel offsets and reveals for Classic Series models in a flush inset application. Refer to the chart below for reference to the illustrations.

PANEL OFFSET

ALL REFRIGERATOR / ALL FREEZER

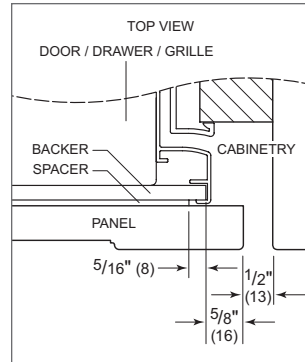
	ILLUS
Door / Grille Sides	A
Grille Top	C
Grille Bottom / Door Top	D
Door Bottom	F

OVER-AND-UNDER

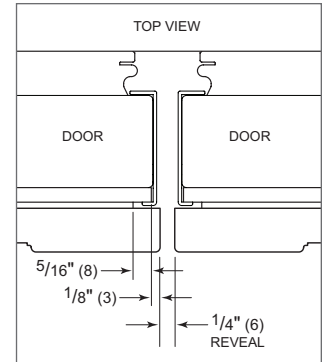
	ILLUS
Door (hinge) / Drawer / Grille Sides	A
Doors (handle) Sides (French door only)	B
Grille Top	C
Grille Bottom / Door Top	D
Door Bottom / Drawer Top	E
Drawer Bottom	F

SIDE-BY-SIDE

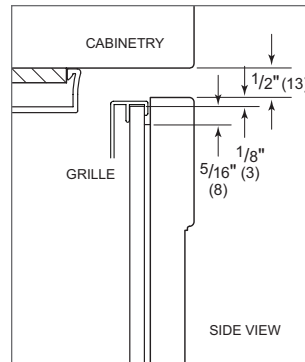
	ILLUS
Doors (hinge) / Grille Sides	A
Doors (handle) Sides	B
Grille Top	C
Grille Bottom / Door Top	D
Door Bottom	F



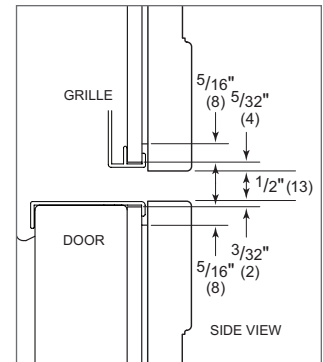
Illus. A



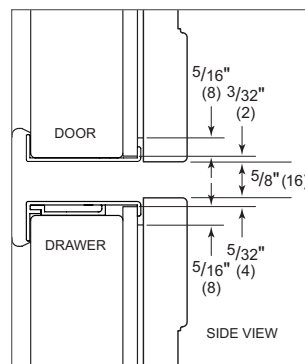
Illus. B



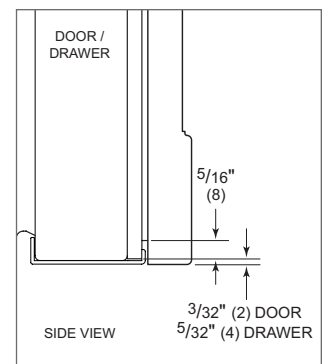
Illus. C



Illus. D



Illus. E



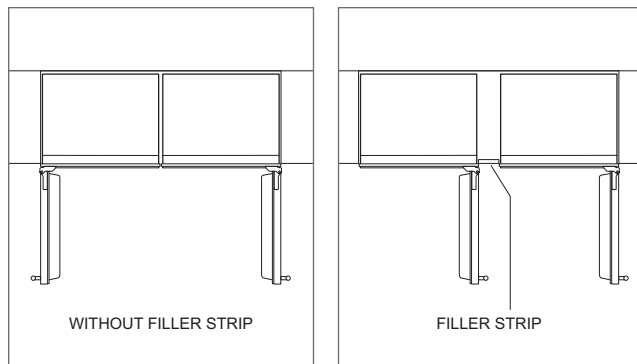
Illus. F

Dual Installation

If two units are installed side by side, a dual installation kit may be required. Installations without a custom filler strip require a dual installation kit. If a dual installation kit is not specified, a 2" (51) filler strip is recommended between the units. A custom filler strip is required when installing two French door or side-by-side models. Dual installations without a filler strip can only be accomplished using two 84" (2134) units with opposite hinges. Refer to the illustrations below.

Dual installation kits are available through an authorized Sub-Zero dealer. For local dealer information, visit the find a showroom section of our website, subzero.com. For questions regarding the installation, call Sub-Zero Customer Care at 800-222-7820.

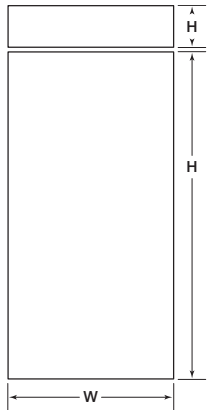
For dual standard installations, panel dimensions are the same as for single installations. Refer to the charts on pages 20–23. Panel dimensions and offsets for dual flush inset installations are listed on the following pages.



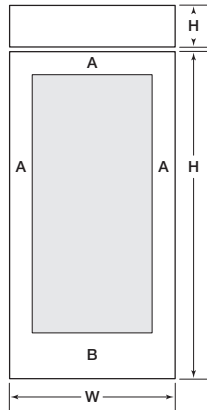
Opposite hinges

Same side hinges

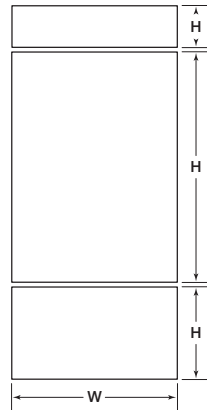
Dual Flush Inset Panel Dimensions



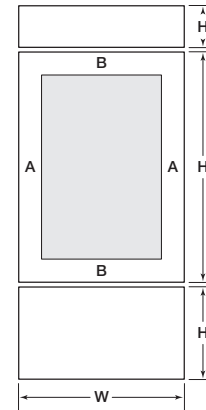
BI-36R, BI-36F



BI-36RG



BI-30U, BI-36U(ID)



BI-30UG, BI-36UG

MODEL BI-36R, BI-36RG, BI-36F

REFRIGERATOR / FREEZER	W	H
Flush Inset Panel	36½" (927)	69¾" (1772)
Spacer Panel	35⅞" (892)	68⅞" (1751)
Backer Panel	35¾" (908)	69⅞" (1767)

GRILLE	W	H
Flush Inset Panel	36½" (927)	9¼" (235)
Spacer Panel	35⅞" (892)	8⅝" (211)
Backer Panel	35¾" (908)	8⅞" (227)

BI-36RG	A	B
Stiles / Rails	5¾" (146)	10⅞" (264)

MODEL BI-30U, BI-30UG

REFRIGERATOR	W	H
Flush Inset Panel	30½" (775)	50⅞" (1273)
Spacer Panel	29⅞" (740)	49⅞" (1253)
Backer Panel	29¾" (756)	49⅞" (1268)

FREEZER	W	H
Flush Inset Panel	30½" (775)	19" (483)
Spacer Panel	29⅞" (740)	18⅞" (459)
Backer Panel	29¾" (756)	18⅞" (475)

GRILLE	W	H
Flush Inset Panel	30½" (775)	9¼" (235)
Spacer Panel	29⅞" (740)	8⅝" (211)
Backer Panel	29¾" (756)	8⅞" (227)

BI-30UG	A	B
Stiles / Rails	5¾" (146)	5¼" (133)

MODEL BI-36U(ID), BI-36UG

REFRIGERATOR	W	H
Flush Inset Panel	36½" (927)	50⅞" (1273)
Spacer Panel	35⅞" (892)	49⅞" (1253)
Backer Panel	35¾" (908)	49⅞" (1268)

FREEZER	W	H
Flush Inset Panel	36½" (927)	19" (483)
Spacer Panel	35⅞" (892)	18⅞" (459)
Backer Panel	35¾" (908)	18⅞" (475)

GRILLE	W	H
Flush Inset Panel	36½" (927)	9¼" (235)
Spacer Panel	35⅞" (892)	8⅝" (211)
Backer Panel	35¾" (908)	8⅞" (227)

BI-36UG	A	B
Stiles / Rails	5¾" (146)	5¼" (133)

Grille panel dimensions are for standard 84" (2134) overall unit height.

Dual Installation

DUAL FLUSH INSET PANEL OFFSET

The illustrations provide panel offsets and reveals for Classic Series models in a dual flush inset application. Refer to the chart below for reference to the illustrations.

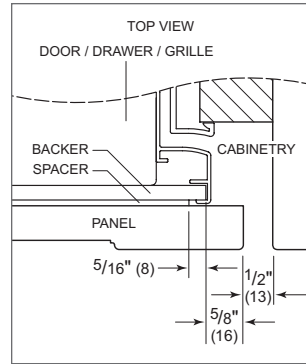
PANEL OFFSET

ALL REFRIGERATOR / ALL FREEZER

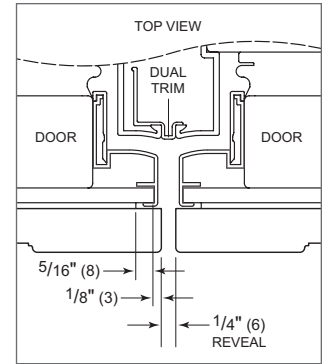
Door (hinge) / Grille Sides	A
Door (handle) Sides	B
Grille Top	C
Grille Bottom / Door Top	D
Door Bottom	F

OVER-AND-UNDER

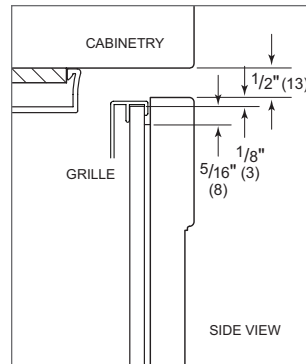
Door (hinge) / Drawer / Grille Sides	A
Door (handle) Sides	B
Grille Top	C
Grille Bottom / Door Top	D
Door Bottom / Drawer Top	E
Drawer Bottom	F



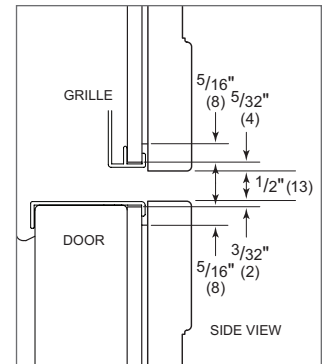
Illus. A



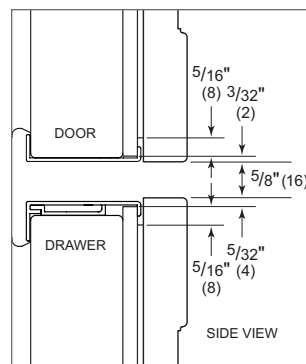
Illus. B



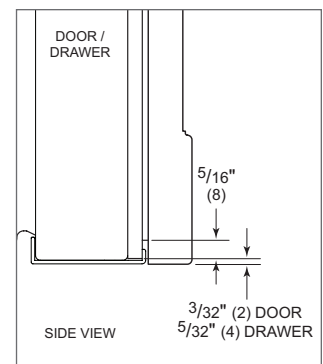
Illus. C



Illus. D



Illus. E



Illus. F

Dual Installation

DUAL WIDE GRILLE

A dual wide grille spans the entire width of both units in a dual installation and is a part of a dual installation kit.

For overlay and flush inset panel dimensions for the dual wide grille, refer to the charts below. Dimensions listed are for a standard 84" (2134) finished height.

DUAL WIDE GRILLE—OVERLAY

TWO 30" MODELS	W	H
Overlay Panel	60¼" (1530)	9¼" (235)
Spacer Panel	59⅜" (1508)	8⅝" (211)
Backer Panel	60" (1524)	8⅞" (227)

30" AND 36" MODEL	W	H
Overlay Panel	66¼" (1683)	9¼" (235)
Spacer Panel	65⅜" (1661)	8⅝" (211)
Backer Panel	66" (1676)	8⅞" (227)

TWO 36" MODELS	W	H
Overlay Panel	72¼" (1835)	9¼" (235)
Spacer Panel	71⅜" (1813)	8⅝" (211)
Backer Panel	72" (1829)	8⅞" (227)

DUAL WIDE GRILLE—FLUSH INSET

TWO 30" MODELS	W	H
Flush Inset Panel	61¼" (1556)	9¼" (235)
Spacer Panel	59⅜" (1508)	8⅝" (211)
Backer Panel	60" (1524)	8⅞" (227)

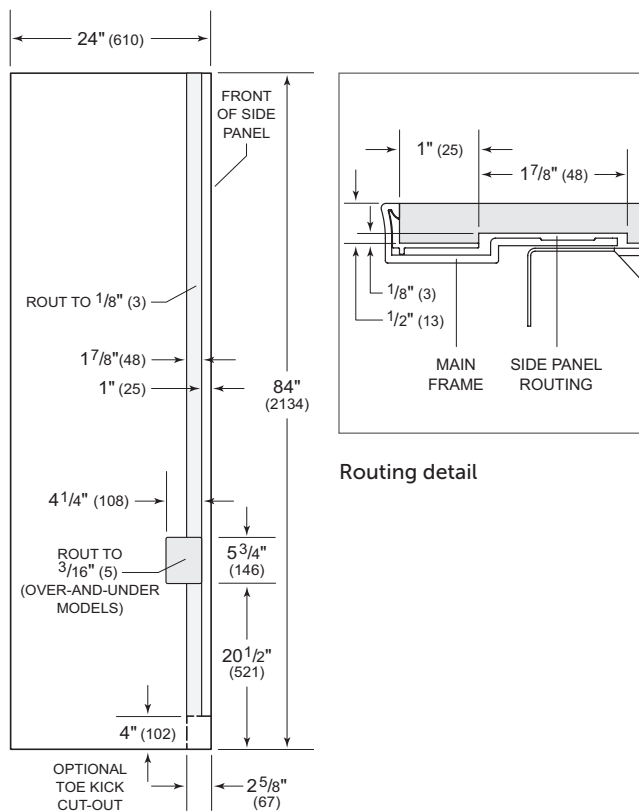
30" AND 36" MODEL	W	H
Flush Inset Panel	67¼" (1708)	9¼" (235)
Spacer Panel	65⅜" (1661)	8⅝" (211)
Backer Panel	66" (1676)	8⅞" (227)

TWO 36" MODELS	W	H
Flush Inset Panel	73¼" (1861)	9¼" (235)
Spacer Panel	71⅜" (1813)	8⅝" (211)
Backer Panel	72" (1829)	8⅞" (227)

Side Panel

The custom side panels must be a minimum of 24" (610) deep and 1/2" (13) thick. Routing will be necessary for the side panel to fit flush against the side of the unit. Refer to the illustrations below.

When installing a Classic Series unit with a custom side panel, an accessory kit is required. Stainless steel and white enamel side panels are available for an 84" (2134) finished height through an authorized Sub-Zero dealer. For local dealer information, visit the find a showroom section of our website, subzero.com.



Side panel dimensions

Standard Handles

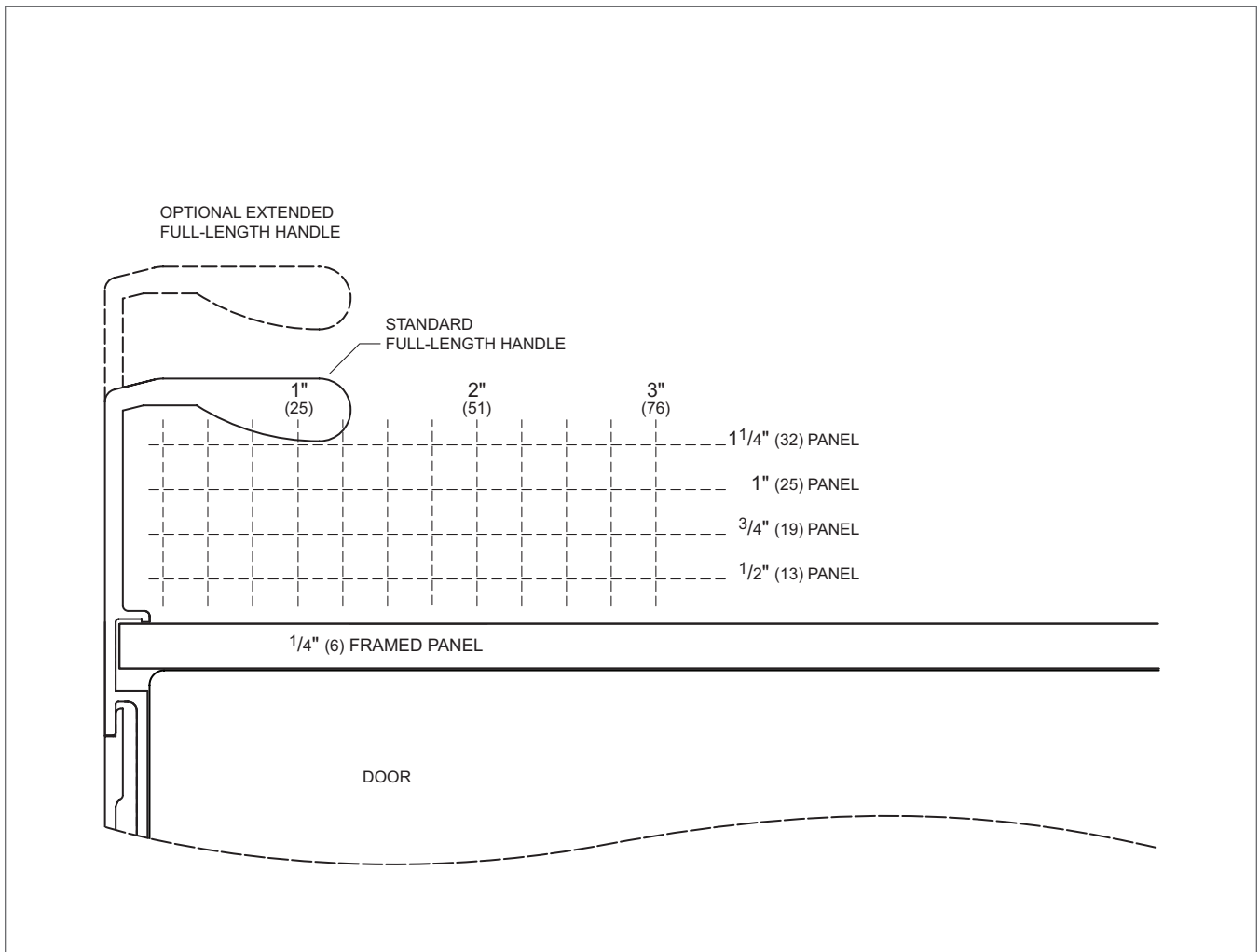
Optional stainless steel tubular and pro handles are available through an authorized Sub-Zero dealer. For local dealer information, visit the find a showroom section of our website, subzero.com.

Refer to the chart below for standard handle lengths for Classic Series models.

HANDLE LENGTH	TUBULAR	PRO
Full Door	63 ⁷ / ₈ " (1622)	45 ³ / ₁₆ " (1147)
Over-and-Under Door	44 ¹ / ₄ " (1124)	37 ¹ / ₂ " (952)
30" Drawer	24 ⁵ / ₁₆ " (633)	17 ⁹ / ₁₆ " (447)
36" Drawer	30 ⁵ / ₁₆ " (770)	23 ⁵ / ₈ " (600)
42" Drawer	36 ⁵ / ₁₆ " (922)	29 ⁵ / ₈ " (753)

Framed Panels

FULL-SCALE TEMPLATE

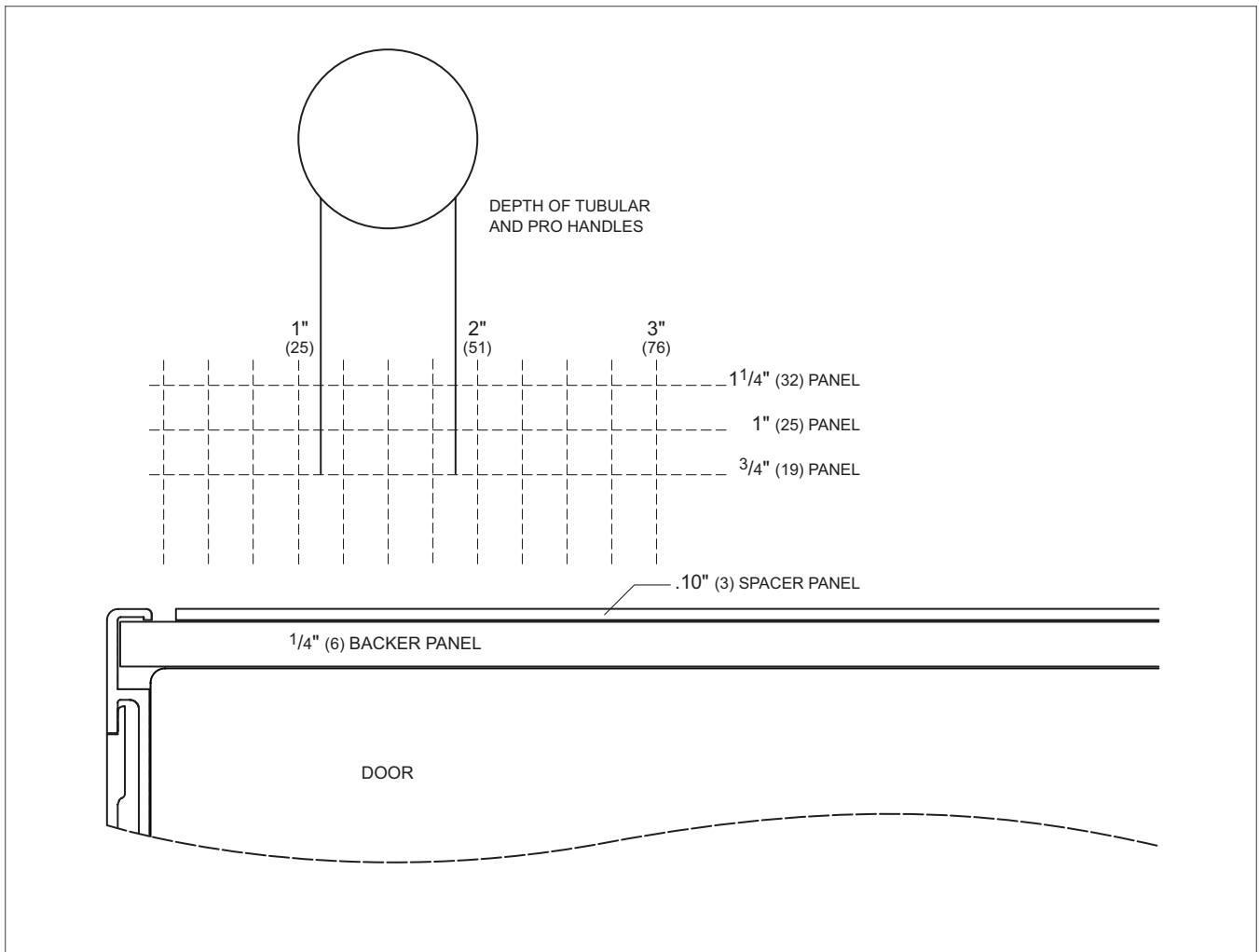


Framed panel thickness

Overlay / Flush Inset Panels

FULL-SCALE TEMPLATE

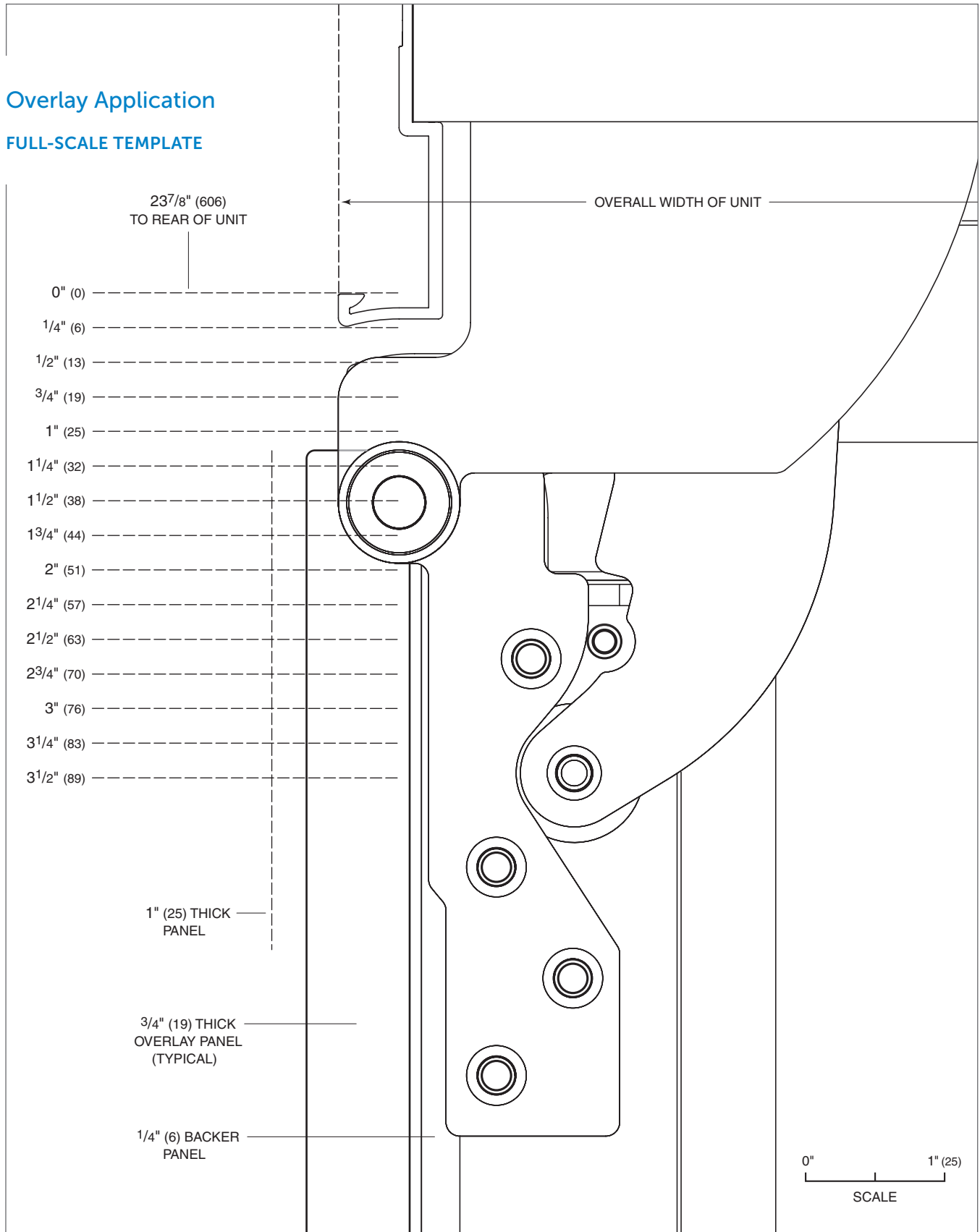
Overlay and flush inset panels must be a minimum of $\frac{5}{8}$ " (16) thick to support mounting the handle. Panel thickness does not include the backer and spacer panels. Mount the handle close to the opening edge of the door.



Overlay and flush inset panel thickness

Overlay Application

FULL-SCALE TEMPLATE

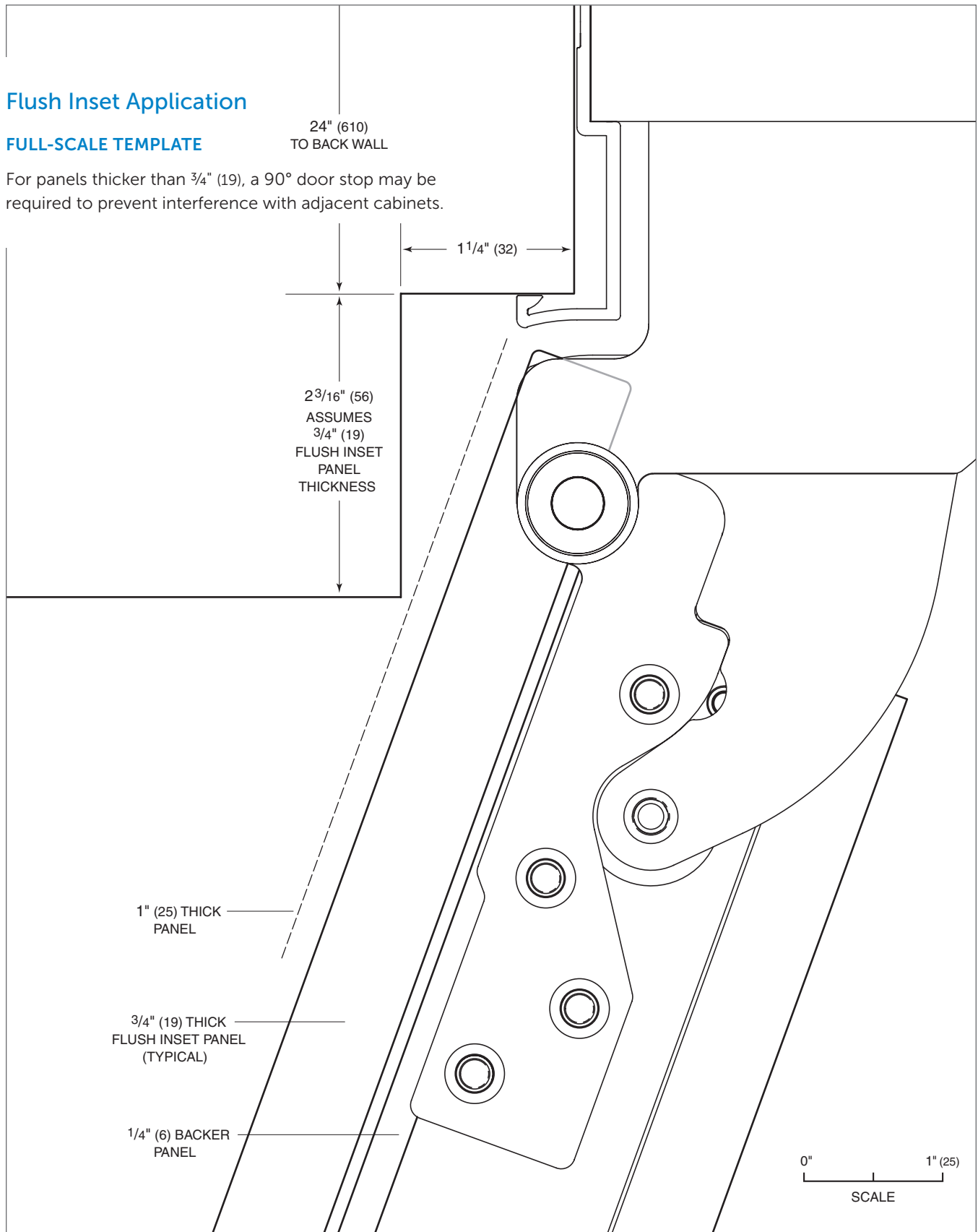


90° door opening (top view)

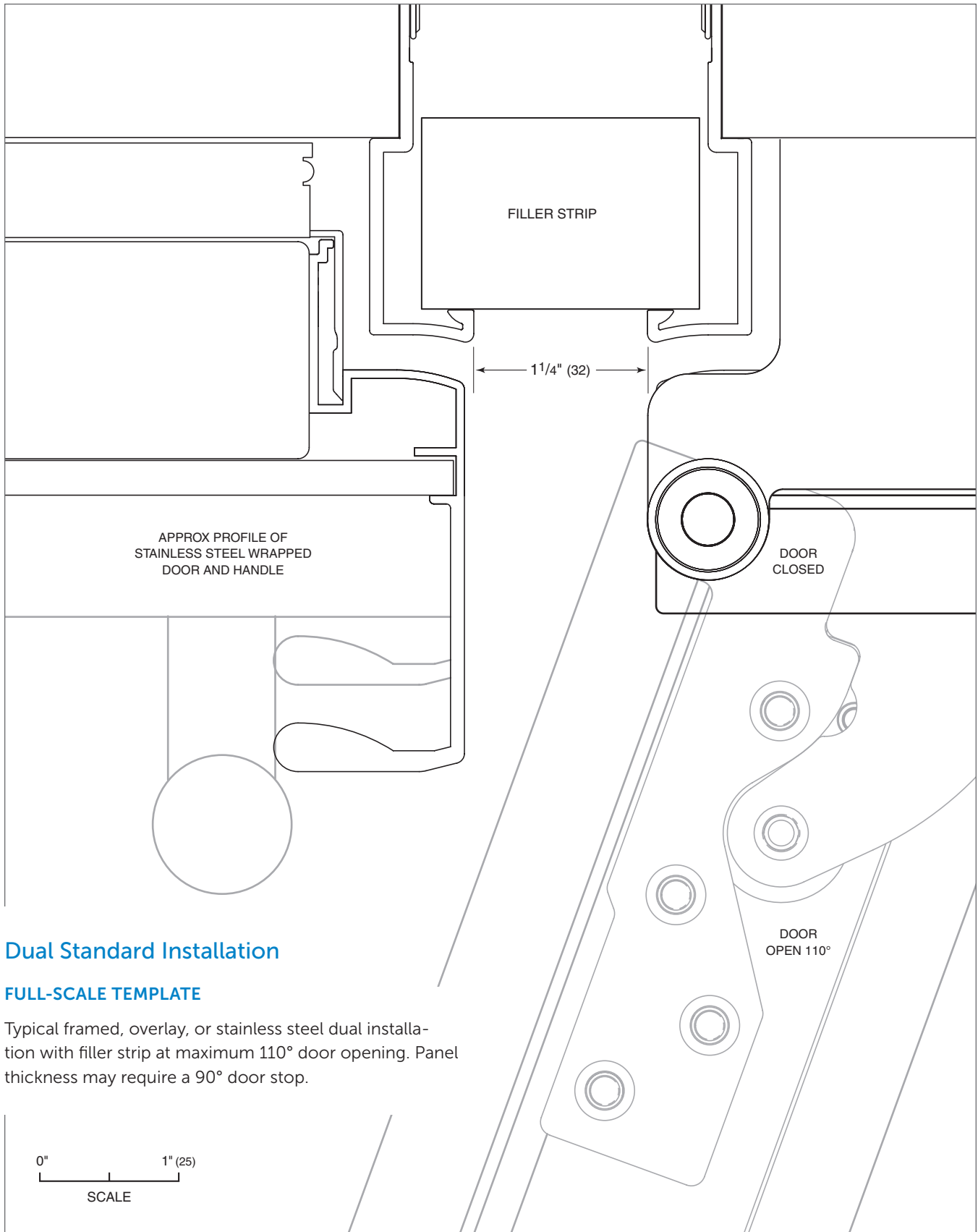
Flush Inset Application

FULL-SCALE TEMPLATE

For panels thicker than $\frac{3}{4}$ " (19), a 90° door stop may be required to prevent interference with adjacent cabinets.



110° door opening (top view)



Dual Standard Installation

FULL-SCALE TEMPLATE

Typical framed, overlay, or stainless steel dual installation with filler strip at maximum 110° door opening. Panel thickness may require a 90° door stop.

Dual standard installation (top view)



Dual Flush Inset Installation

FULL-SCALE TEMPLATE

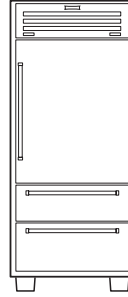
Typical flush inset dual installation with filler strip at maximum 110° door opening. Panel thickness may require a 90° door stop.

Dual flush inset installation (top view)

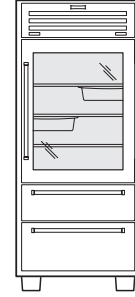
PRO Series Refrigeration

Freshness finds unmistakable expression with Sub-Zero PRO Series refrigeration. A monument to food preservation— equal parts sculpted metal design statement and culinary secret weapon. Its vast interior, like its bold exterior, is crafted of stainless steel. Available in 36" and 48" widths, with a glass or solid door, and may be either built in or freestanding.

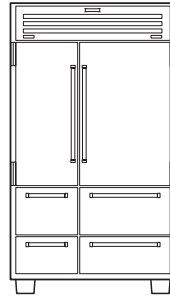
PRO SERIES MODELS



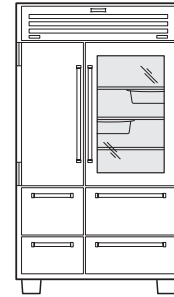
PRO3650



PRO3650G



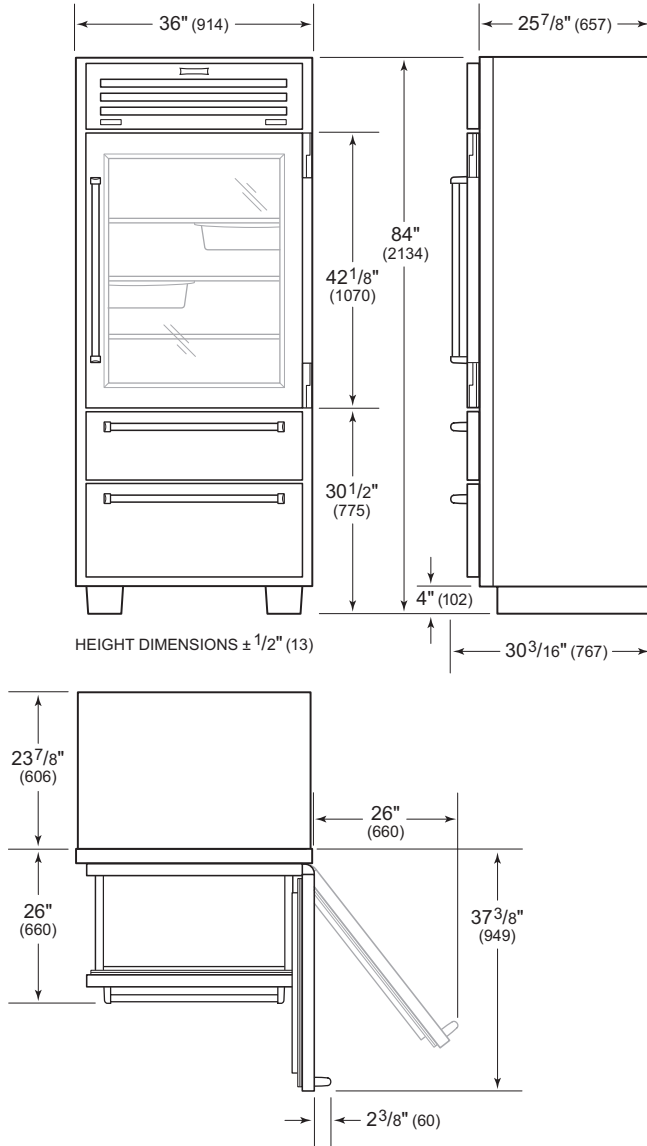
PRO4850



PRO4850G

Overall Dimensions

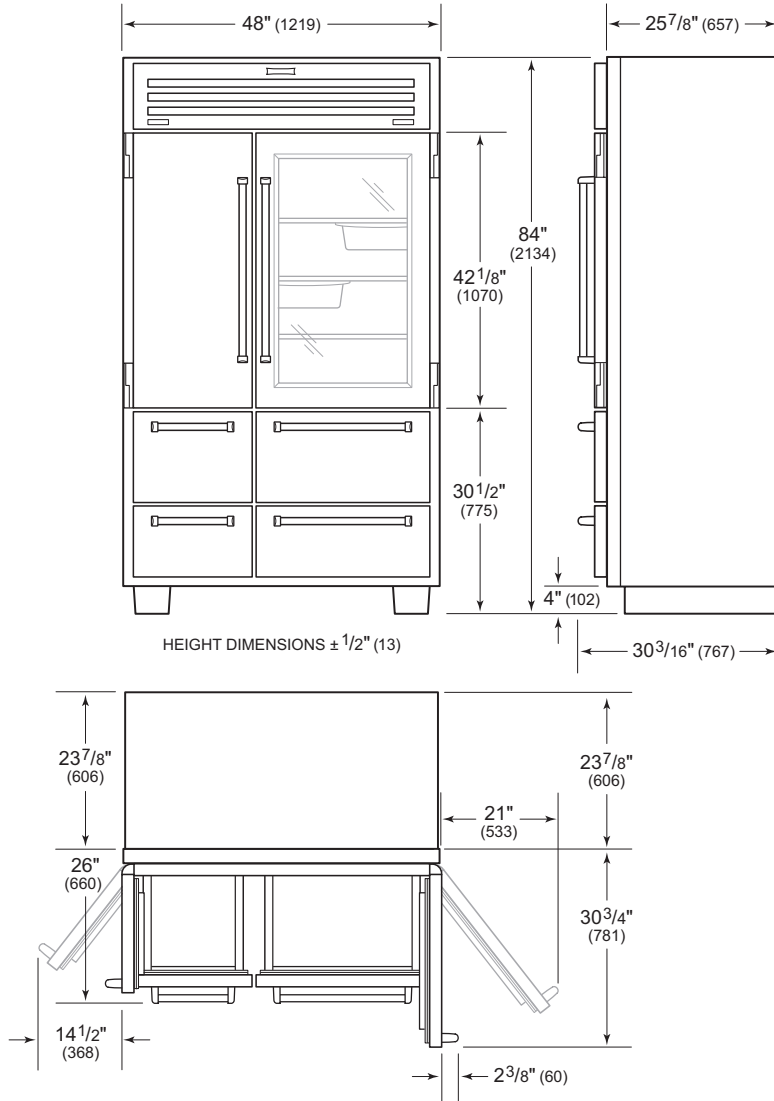
36" MODEL



Model PRO3650 / PRO3650G

Overall Dimensions

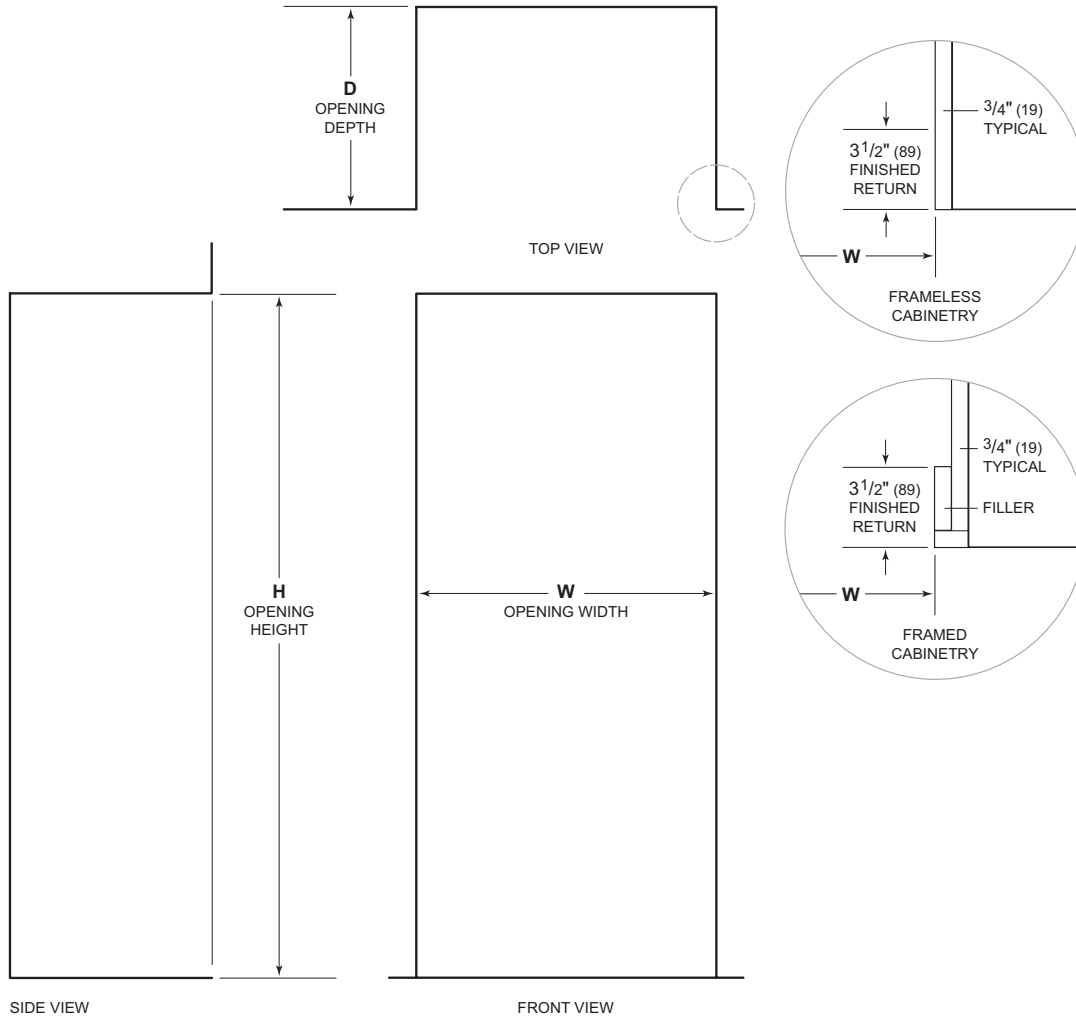
48" MODEL



Model PRO4850 / PRO4850G

Opening Dimensions

STANDARD / FLUSH INSTALLATION



NOTE: 3 1/2" (89) finished returns will be visible and should be finished to match cabinetry.

STANDARD OPENING	W	H	D
36" Model	35 1/2" (902)	83 3/4" (2127)	24" (610)
48" Model	47 1/2" (1206)	83 3/4" (2127)	24" (610)

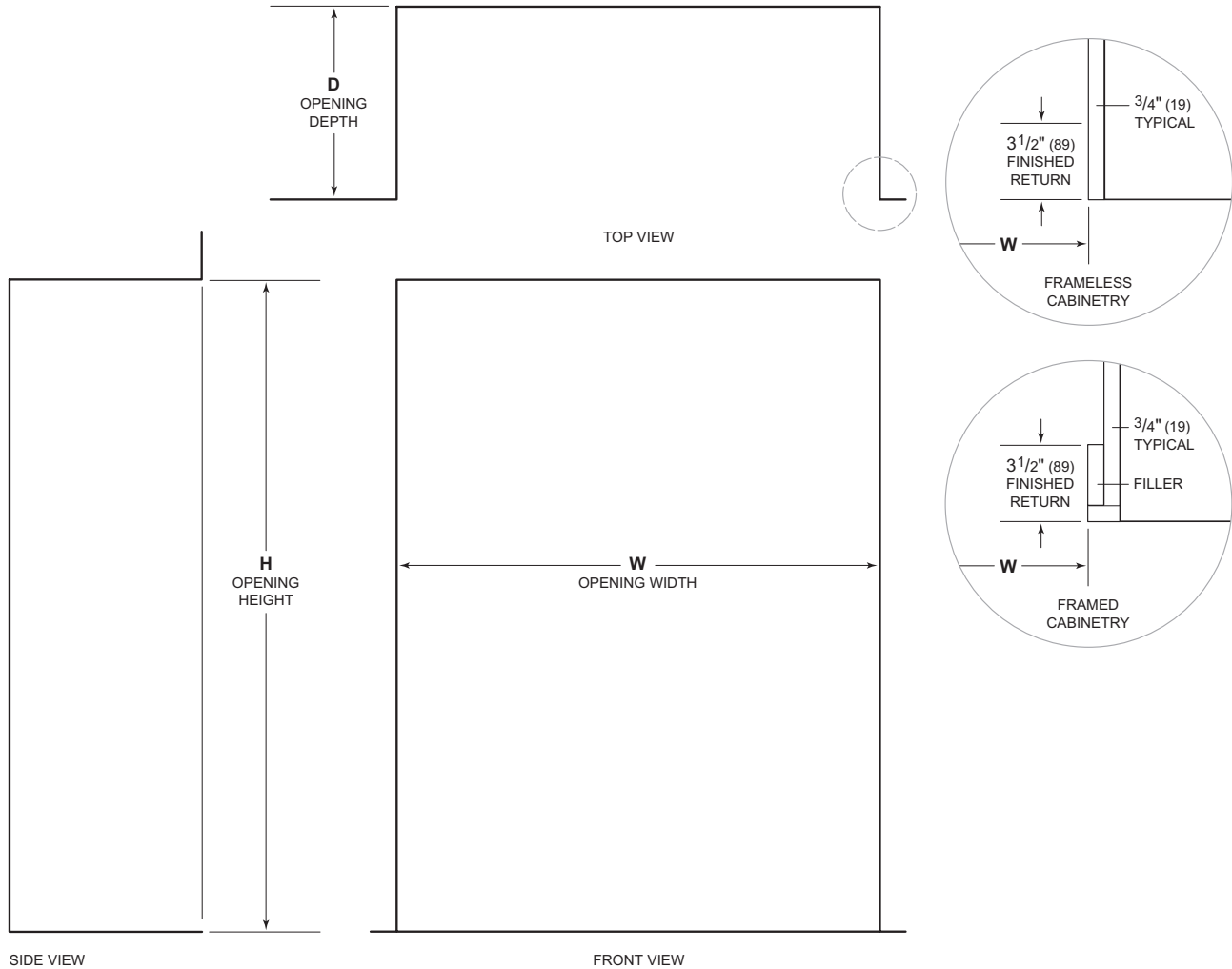
For standard installations, the face frame will extend 2" (51) beyond cabinetry.

FLUSH OPENING	W	H	D
36" Model	36" (914)	84 1/8" (2137)	26" (660)
48" Model	48" (1219)	84 1/8" (2137)	26" (660)

For flush installations, the face frame will be flush with surrounding cabinetry.

Opening Dimensions

DUAL STANDARD / FLUSH INSTALLATION



NOTE: 3 1/2" (89) finished returns will be visible and should be finished to match cabinetry.

DUAL STANDARD OPENING	W	H	D
Two 36" Models	71 1/2" (1816)	83 3/4" (2127)	24" (610)

DUAL FLUSH OPENING	W	H	D
Two 36" Models	72" (1829)	84 1/8" (2137)	26" (660)

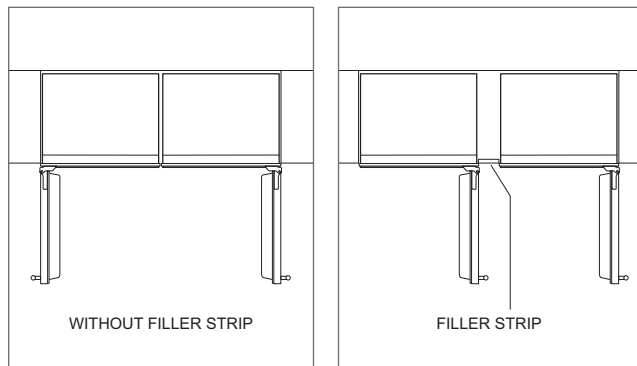
For standard installations, the face frame will extend 2" (51) beyond cabinetry. A dual installation kit is required for this installation.

For flush installations, the face frame will be flush with surrounding cabinetry. A dual installation kit is required for this installation.

Dual Installation

If two units are installed side by side, a dual installation kit may be required. Installations without a custom filler strip require a dual installation kit. If a dual installation kit is not specified, a 2" (51) filler strip is recommended between the units. Dual installations without a filler strip can only be accomplished using two units with opposite hinges. Refer to the illustrations below.

Dual installation kits are available through an authorized Sub-Zero dealer. For local dealer information, visit the find a showroom section of our website, subzero.com. For questions regarding the installation, call Sub-Zero Customer Care at 800-222-7820.



Opposite hinges

Same side hinges

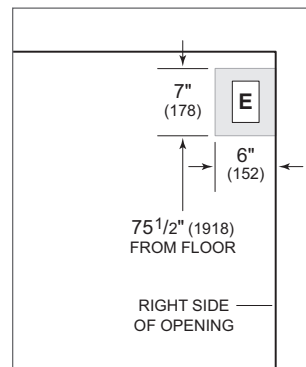
Electrical Requirements

Locate the electrical supply within the shaded area shown in the illustration below. A separate circuit servicing only this appliance is required. A ground fault circuit interrupter (GFCI) is not recommended and may cause interruption of operation.

Installation must comply with all applicable electrical codes.

ELECTRICAL REQUIREMENTS

Electrical Supply	115 VAC, 60 Hz
Service	15 amp dedicated circuit
Receptacle	3-prong grounding-type



Electrical supply location

Plumbing Requirements

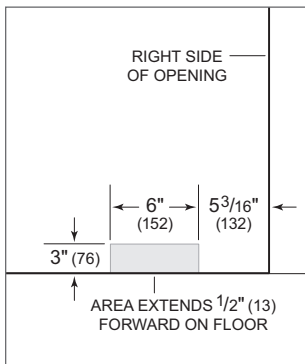
Installation must comply with all applicable plumbing codes.

Locate the water supply line within the shaded area shown in the illustration below. Connect the water supply line to the house supply with an easily accessible shut-off valve. Do not use self-piercing valves. The water supply line must not interfere with the installation of the anti-tip bracket.

A reverse osmosis system can be used provided there is constant water pressure of 35–120 psi (2.4–8.3 bar) supplied to the unit at all times. In this application, the water filtration system must be bypassed by removing the filter. A copper line is not recommended for this application.

PLUMBING REQUIREMENTS

Water Supply	1/4" OD copper, braided stainless steel, or PEX tubing
Pressure	35–120 psi (2.4–8.3 bar)
Excess Line for Connection	36" (914)



Water supply location

Standard Handles

Optional stainless steel pro handles are available through an authorized Sub-Zero dealer. For local dealer information, visit the find a showroom section of our website, subzero.com.

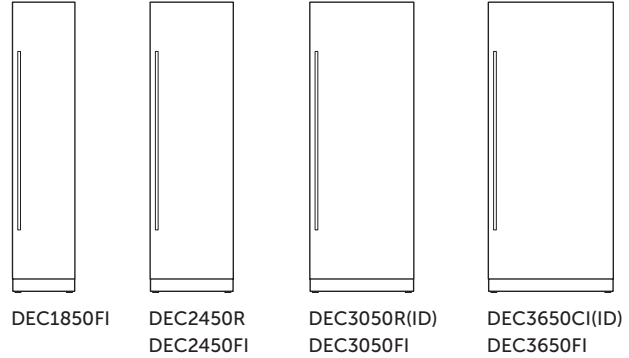
Refer to the chart below for standard handle lengths for PRO Series models.

HANDLE LENGTH	36" MODEL	48" MODEL
Door	27 ¹¹ / ₁₆ " (703)	27 ¹¹ / ₁₆ " (703)
Refrigerator Drawer	26 ³ / ₁₆ " (665)	19 ¹⁵ / ₁₆ " (506)
Freezer Drawer	26 ³ / ₁₆ " (665)	11 ⁹ / ₁₆ " (294)

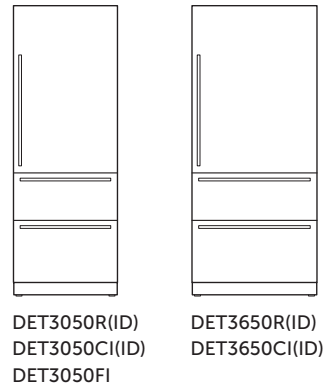
Designer Series Refrigeration

With custom front panels and hardware, Sub-Zero Designer Series columns, tall, and drawer wine models disappear into the decor. Units fit flush with cabinetry, making Designer Series refrigeration as practical and beautiful in the master suite, bar, or theatre room as in the kitchen. Drawer model ID-24RO, approved for outdoor installations, is ideal for any outdoor kitchen.

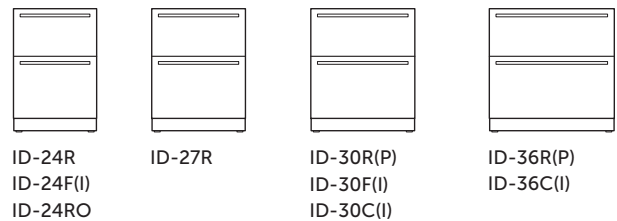
COLUMN MODELS



TALL MODELS

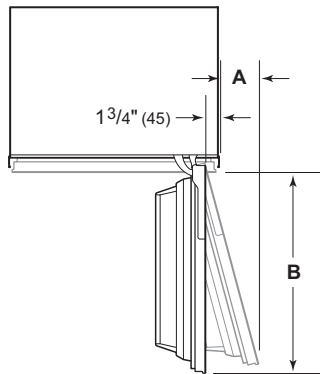
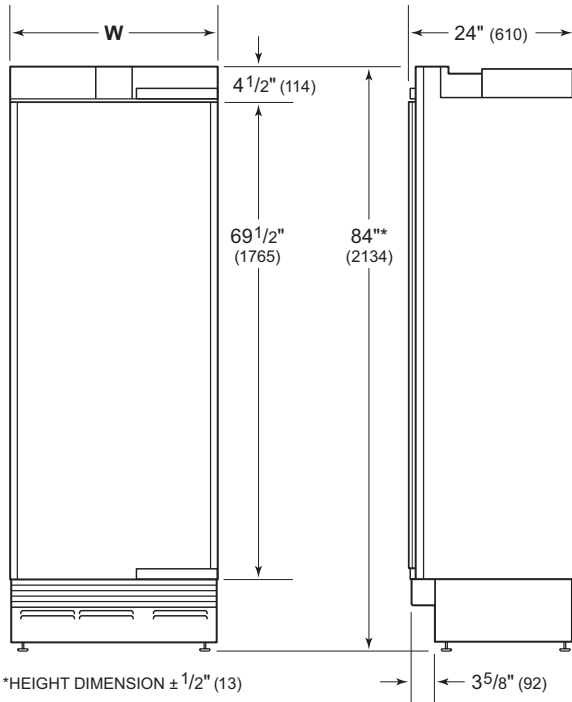


DRAWER MODELS



Overall Dimensions

COLUMN



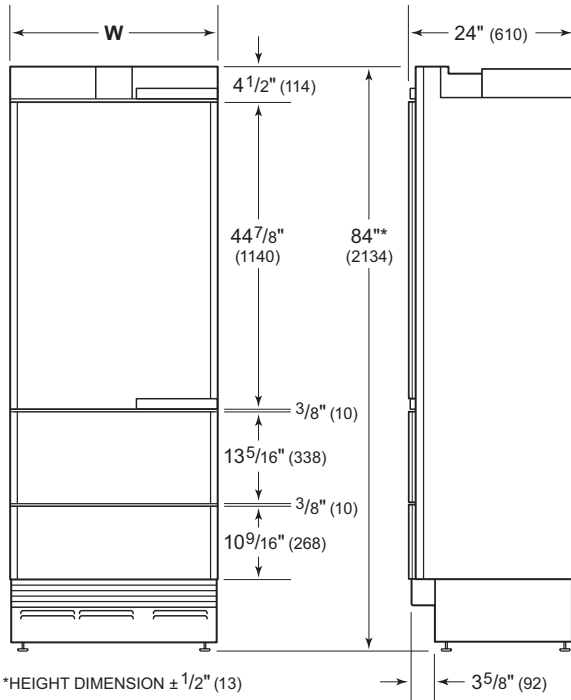
COLUMN

COLUMN	W	A	B
18" Column	18" (457)	2½" (64)	16½" (419)
24" Column	24" (610)	4" (102)	22½" (572)
30" Column	30" (762)	5⅝" (143)	28½" (724)
36" Column	36" (914)	7¼" (184)	34½" (876)

IMPORTANT NOTE: Overall dimensions do not include panels or handles. Dimensions will vary with panel thickness.

Overall Dimensions

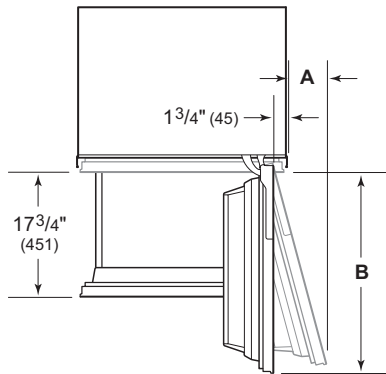
TALL



TALL

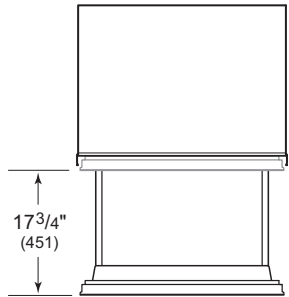
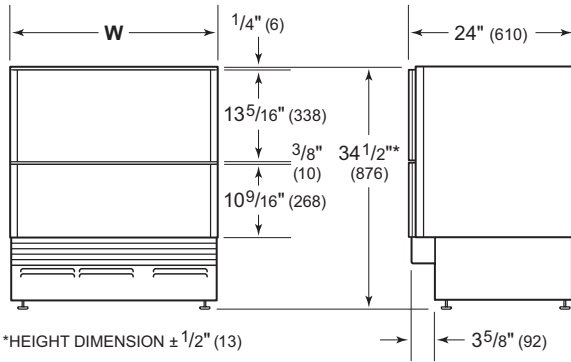
	W	A	B
30" Tall	30" (762)	5 5/8" (143)	28 1/2" (724)
36" Tall	36" (914)	7 1/4" (184)	34 1/2" (876)

IMPORTANT NOTE: Overall dimensions do not include panels or handles. Dimensions will vary with panel thickness.



Overall Dimensions

DRAWER



DRAWER

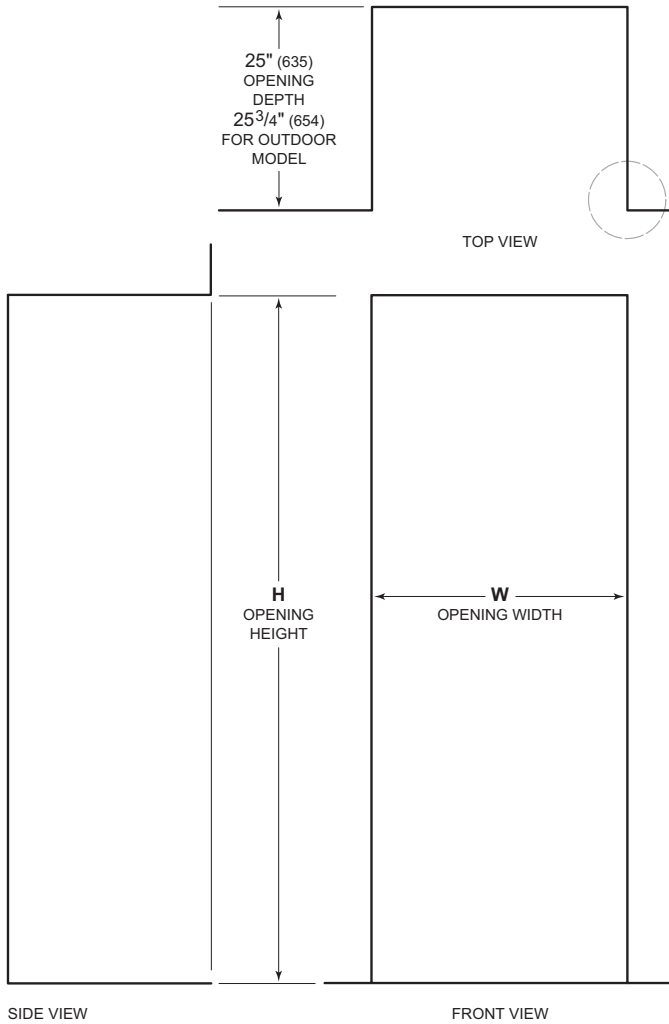
W

24" Drawer	24" (610)
27" Drawer	27" (686)
30" Drawer	30" (762)
36" Drawer	36" (914)

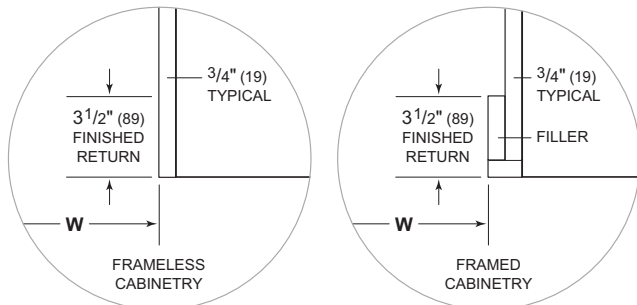
IMPORTANT NOTE: Overall dimensions do not include panels or handles. Dimensions will vary with panel thickness.

Opening Dimensions

DESIGNER SERIES



NOTE: 3¹/₂" (89) finished returns will be visible and should be finished to match cabinetry—4¹/₂" (114) for outdoor model.



OPENING DIMENSIONS

COLUMN / TALL	W	H
18" Column	18" (457)	84" (2134)
24" Column	24" (610)	84" (2134)
30" Column / Tall	30" (762)	84" (2134)
36" Column / Tall	36" (914)	84" (2134)
DRAWER	W	H
24" Drawer	24" (610)	34 ¹ / ₂ " (876)
27" Drawer	27" (686)	34 ¹ / ₂ " (876)
30" Drawer	30" (762)	34 ¹ / ₂ " (876)
36" Drawer	36" (914)	34 ¹ / ₂ " (876)

*For stainless steel side panel accessory, add 1" (25) per panel to opening width.

The depth of each Designer Series model is 24" (610). Allow for panel thickness when planning the finished opening depth. A minimum 3¹/₂" (89) finished return is required on all sides of the opening—4¹/₂" (114) for the outdoor model. Framed cabinets require additional finished filler material behind the face frame for a proper installation. Refer to the illustration.

DUAL INSTALLATION

When installing two units side by side in a dual installation, the opening width is the width of the two units added together. A dual installation kit is required for this installation. If a dual installation kit is not specified, a minimum 2" (51) filler strip is required between the units.

Dual installation kits are available through an authorized Sub-Zero dealer. For questions regarding the installation, call Sub-Zero Customer Care at 800-222-7820.

Electrical Requirements

Installation must comply with all applicable electrical codes.

The electrical supply must be located within the shaded area shown in the illustration and chart below. A separate circuit servicing only this appliance is required.

IMPORTANT NOTE: For indoor models, a ground fault circuit interrupter (GFCI) is not recommended and may cause interruption of operation.

For the outdoor model, a ground fault circuit interrupter (GFCI) is required to reduce the risk of electrical shock.

The electrical outlet must be positioned with the ground-prong to the right of the thinner blades.

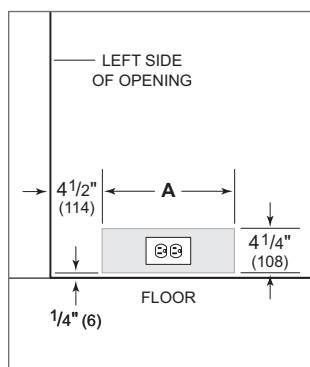
ELECTRICAL REQUIREMENTS

Electrical Supply	115 VAC, 60 Hz
Service	15 amp dedicated circuit
Receptacle	3-prong grounding-type

ELECTRICAL SUPPLY LOCATION

A

18" Model	6" (152)
24" Model	9½" (241)
27" Model	11" (279)
30" Model	12½" (318)
36" Model	15½" (394)



Electrical supply location

Plumbing Requirements

Installation must comply with all applicable plumbing codes.

Locate the water supply line within the shaded area shown in the illustration below. Connect the water supply line to the house supply with an easily accessible shut-off valve. Do not use self-piercing valves. The water supply line must not interfere with the installation of the anti-tip bracket.

Column and tall models with an ice maker or water dispenser feature a water filtration system. An in-line filter is required for drawer models with an ice maker when water conditions have a high sediment content.

A reverse osmosis system can be used provided there is constant water pressure of 35–120 psi (2.4–8.3 bar) supplied to the unit at all times. A copper line is not recommended for this application.

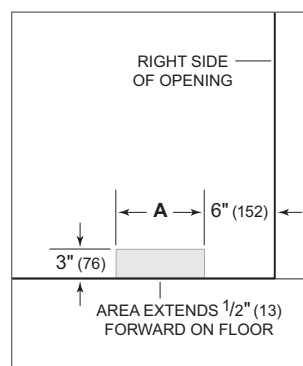
PLUMBING REQUIREMENTS

Water Supply Line	¼" OD copper, braided stainless steel, or PEX tubing
Water Pressure	35–120 psi (2.4–8.3 bar)
Excess Water Line for Connection	36" (914)

WATER SUPPLY LOCATION

A

18" Model	3" (76)
24" Model	5½" (140)
30" Model	6" (152)
36" Model	9" (229)



Water supply location

Stainless Steel Panels

The outdoor model requires the use of Sub-Zero stainless steel outdoor accessory panels.

The thickness of indoor stainless steel panels is 3/4" (19) and outdoor stainless steel panels is 1 1/2" (38). The depth of each Designer Series model is 24" (610). Allow for panel thickness when planning the finished opening depth.

Reveals of 1/8" (3) are typical, however, the reveal between the upper and lower outdoor stainless steel panels is 1/4" (6) to accommodate the lock.

Custom Panels

For Designer Series models, custom door/drawer panels and handle hardware must be installed.

Do not install a solid panel on the glass door unit. A solid door is available as a sales accessory through an authorized Sub-Zero dealer.

The thickness of the custom panel can vary. A minimum 5/8" (16) thick panel is required, but the thickness can be increased provided it does not exceed the maximum panel weight indicated in the chart below. The depth of each designer model is 24" (610). Allow for panel thickness when planning the finished opening depth. Refer to the full-scale template on page 53.

PANEL REQUIREMENTS

WEIGHT PER PANEL	MAX
18" Column	45 lb (20 kg)
24" Column	60 lb (27 kg)
30" Column	75 lb (34 kg)
36" Column	75 lb (34 kg)
WEIGHT PER PANEL	MAX
30" Tall (door)	50 lb (22 kg)
36" Tall (door)	60 lb (27 kg)
Drawer	15 lb (7 kg)
PANEL THICKNESS	MIN
All Panels	5/8" (16)

Reveals between panels can vary, 1/8" (3) reveals are typical.

⚠ CAUTION

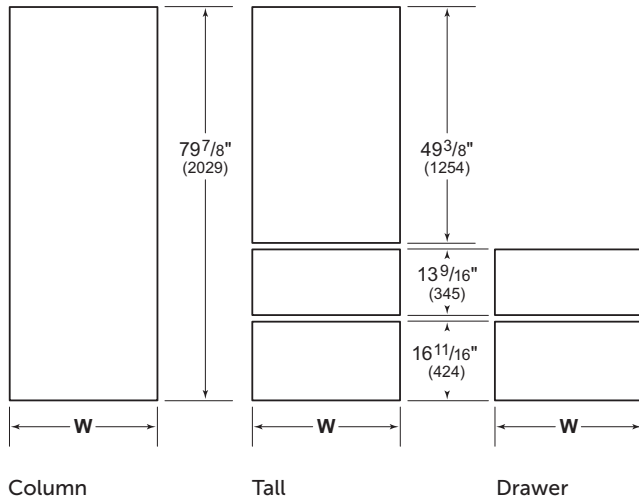
As reveals between cabinetry and the unit decrease, severe finger pinching can occur while the door is closing.

Finish all sides of the custom panels. They will be visible when the door/drawer is open.

D-style handles are recommended. Locate the door handle near the edge of the panel opposite the hinge and centered top to bottom. Locate the drawer handles near the top edge of each panel. Stainless steel tubular and pro handles are available through an authorized Sub-Zero dealer. For local dealer information, visit the find a showroom section of our website, subzero.com.

Custom Panels

TYPICAL PANEL DIMENSIONS



Typical panel dimensions are based on an 84" (2134) finished height for column and tall models and 34½" (876) for drawer models, with a 4" (102) toe kick and ½" (3) reveals. Panel dimensions must be adjusted accordingly for all other installations. Refer to the illustration for panel height and the chart below for panel width.

PANEL WIDTH	W
18" Model	17¾" (451)
24" Model	23¾" (603)
27" Model	26¾" (679)
30" Model	29¾" (756)
36" Model	35¾" (908)

DUAL INSTALLATION

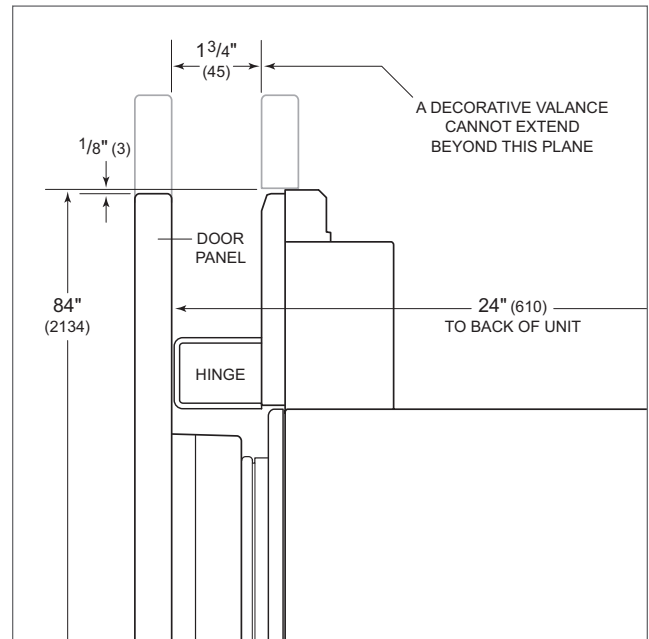
For dual installations, refer to the illustration for panel height and the chart below for panel width.

PANEL WIDTH	W
18" Model	17 ¹³ / ₁₆ " (452)
24" Model	23 ¹³ / ₁₆ " (605)
27" Model	26 ¹³ / ₁₆ " (681)
30" Model	29 ¹³ / ₁₆ " (757)
36" Model	35 ¹³ / ₁₆ " (910)

Custom Panels

DOOR PANEL HEIGHT

The height of the custom door panel can extend beyond the typical panel height, provided it does not exceed the weight limit. Refer to the illustration below.

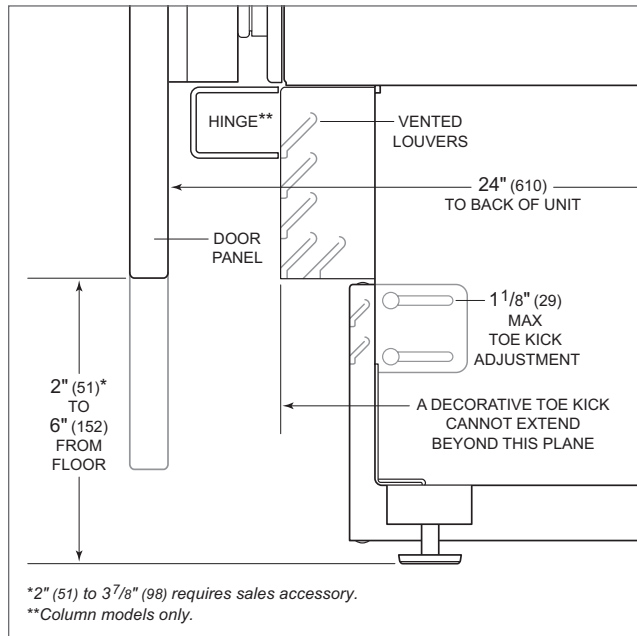


Upper valance (side view)

Custom Panels

TOE KICK CLEARANCE

For indoor models only, the height of the toe kick area can extend beyond the typical toe kick height, provided it does not exceed the dimensions in the illustration below. Toe kick heights from 2" (51) to 37/8" (98) require a reduced toe kick accessory available through an authorized Sub-Zero dealer. For questions regarding the installation, call Sub-Zero Customer Care at 800-222-7820.



Toe kick (side view)

Standard Handles

Optional stainless steel tubular and pro handles are available through an authorized Sub-Zero dealer. For local dealer information, visit the find a showroom section of our website, subzero.com.

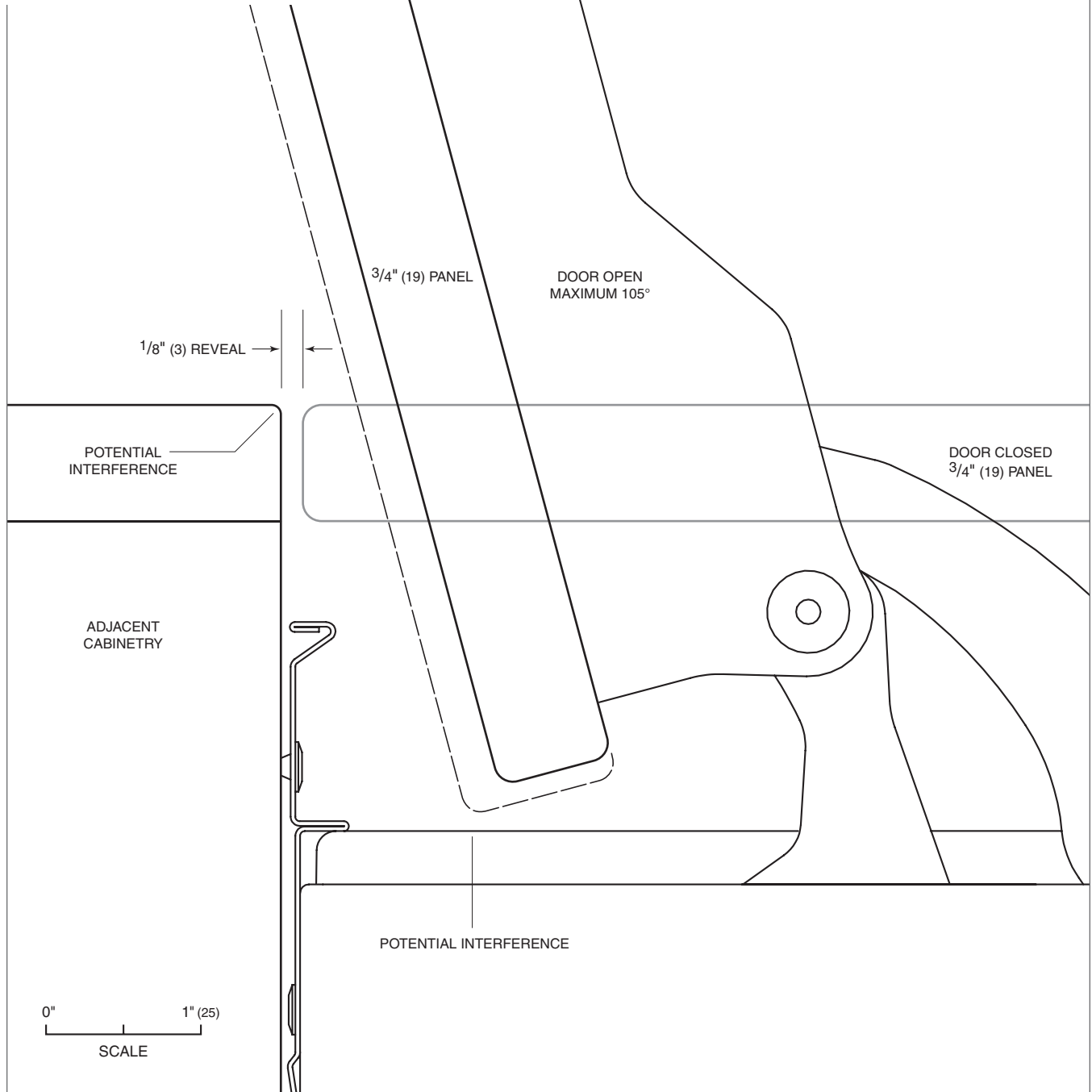
Refer to the chart below for standard handle lengths for Designer models.

HANDLE LENGTH	TUBULAR	PRO
Column Door	50 1/8" (1273)	48 3/8" (1229)
Tall Door	33 1/4" (845)	31 1/2" (800)
24" Drawer	21 1/4" (540)	19 1/2" (495)
27" Drawer	24 1/4" (616)	22 1/2" (572)
30" Drawer	27 1/4" (692)	25 1/2" (648)
36" Drawer	33 1/4" (845)	31 1/2" (800)

Maximum Door Opening

FULL-SCALE TEMPLATE

As the panel width and/or depth increases, so does the potential for panel interference. Interference may be minimized by using the 90° door stop.



Maximum door opening (top view)

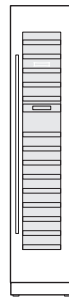
Wine Storage

Wine finds a well-deserved place of honor in a Sub-Zero wine storage unit. Every detail is designed to ensure better wine preservation. Cherrywood-faced racks, soft lighting, custom cabinetry if desired—Sub-Zero helps make a wine collection an element of beauty in the home.

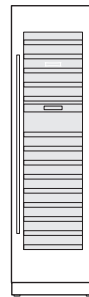
WINE STORAGE MODELS



DEU2450W



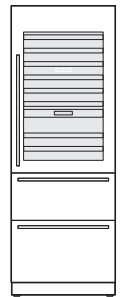
DEC1850W



DEC2450W



DEC3050W



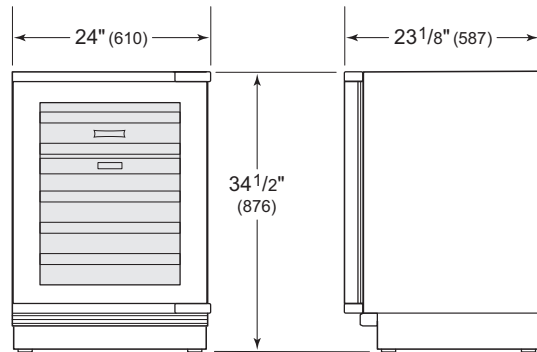
DET3050WR
DET3050WCI



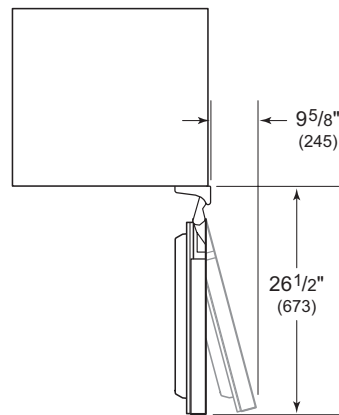
BW-30

Overall Dimensions

MODEL DEU2450W



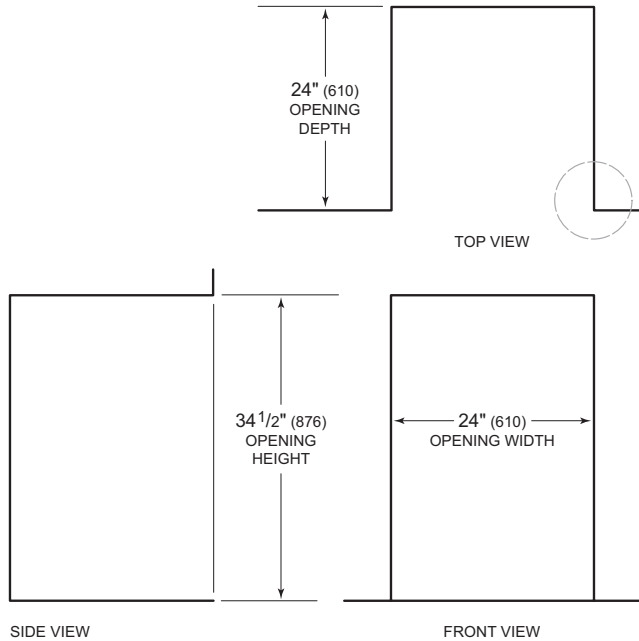
HEIGHT DIMENSIONS $\pm 1/2"$ (13)



IMPORTANT NOTE: Overall dimensions do not include panels or handles. Dimensions will vary with panel thickness.

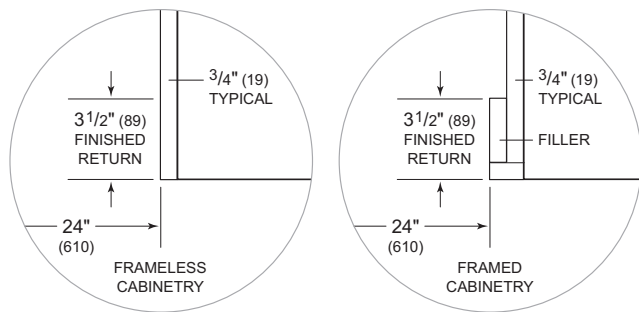
Opening Dimensions

MODEL DEU2450W



The depth of each model is 23 1/8" (587). Allow for panel thickness when planning the finished opening depth. A minimum 3 1/2" (89) finished return is required on all sides of the opening. Framed cabinets require additional finished filler material behind the face frame for a proper installation. Refer to the illustration.

NOTE: 3 1/2" (89) finished returns will be visible and should be finished to match cabinetry.



Dual Installation

MODEL DEU2450W

If two units are installed side by side, a dual installation kit may be required. Installations without a custom filler strip require a dual installation kit. If a dual installation kit is not specified, a 2" (51) filler strip is recommended between the units. Dual installations without a filler strip can only be accomplished using two units with opposite hinges. Refer to the illustrations below.

IMPORTANT NOTE: For dual installations of a door and drawer model, the door model face frame is approximately 1/16" (2) proud of the drawer face frame. This is only apparent when the door/drawers are open at the same time. The door/drawers align when closed. The door handle must be next to the drawers.

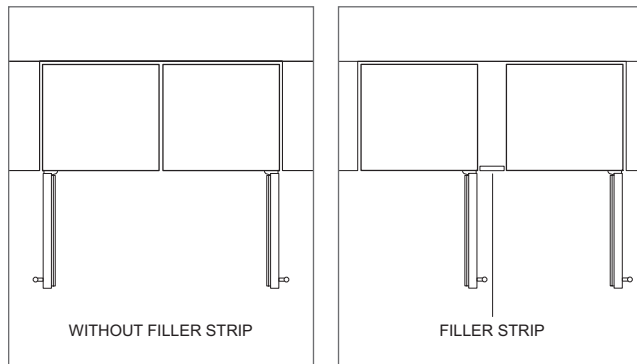
Dual installation kits are available through an authorized Sub-Zero dealer. For local dealer information, visit the find a showroom section of our website, subzero.com. For questions regarding the installation, call Sub-Zero Customer Care at 800-222-7820.

DUAL OPENING WIDTH

W

Two 24" Models	48" (1219)
----------------	------------

Dual installation kit required.

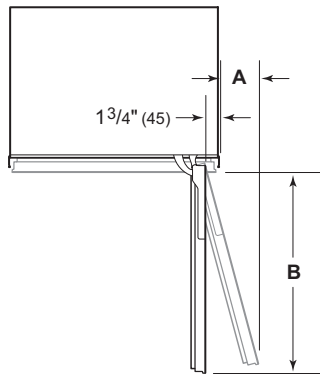
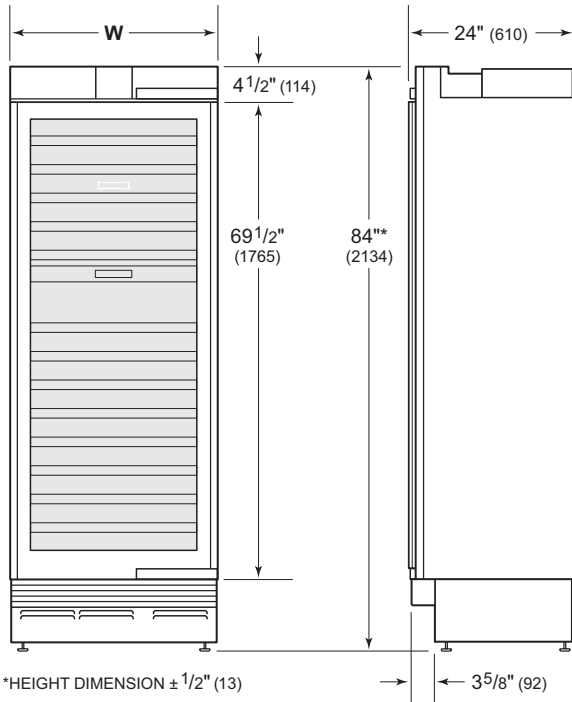


Opposite hinges

Same side hinges

Overall Dimensions

COLUMN WINE

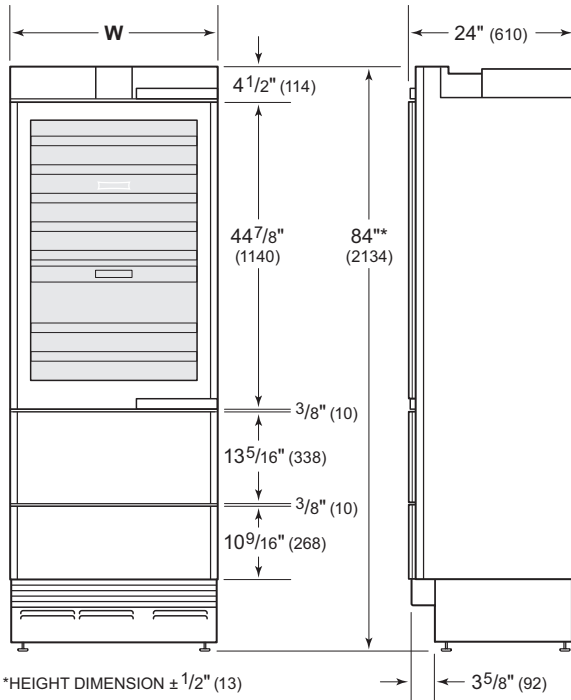


COLUMN	W	A	B
18" Column	18" (457)	2½" (64)	16½" (419)
24" Column	24" (610)	4" (102)	22½" (572)
30" Column	30" (762)	5⅝" (143)	28½" (724)

IMPORTANT NOTE: Overall dimensions do not include panels or handles. Dimensions will vary with panel thickness.

Overall Dimensions

TALL WINE



TALL

30" Tall

W

30" (762)

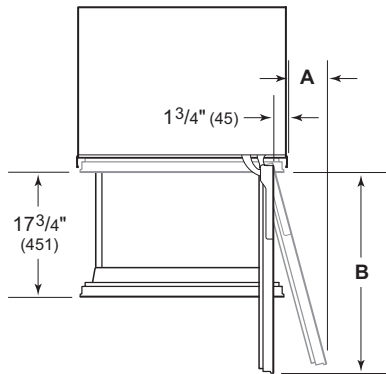
A

5 5/8" (143)

B

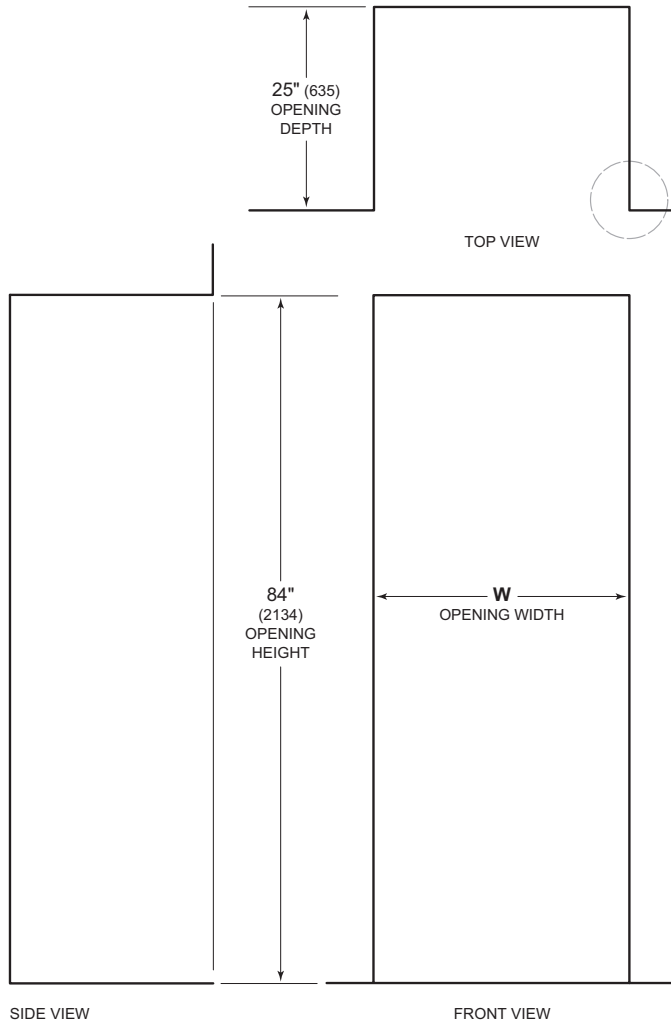
28 1/2" (724)

IMPORTANT NOTE: Overall dimensions do not include panels or handles. Dimensions will vary with panel thickness.



Opening Dimensions

DESIGNER SERIES WINE STORAGE



OPENING DIMENSIONS

	W*
18" Column	18" (457)
24" Column	24" (610)
30" Column / Tall	30" (762)

*For stainless steel side panel accessory, add 1" (25) per panel to opening width.

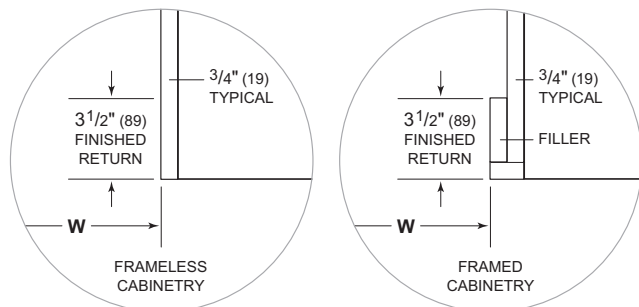
The depth of each model is 24" (610). Allow for panel thickness when planning the finished opening depth. A minimum 3 1/2" (89) finished return is required on all sides of the opening. Framed cabinets will require additional finished filler material behind the face frame for a proper installation. Refer to the illustration.

DUAL INSTALLATION

The unit can be installed next to an Designer Series refrigeration model or another Designer Series wine storage model in a dual installation. When installing two units side by side, the opening width is the width of the two units added together. A dual installation kit is required for this installation. If a dual installation kit is not specified, a minimum 2" (51) filler strip is required between the units.

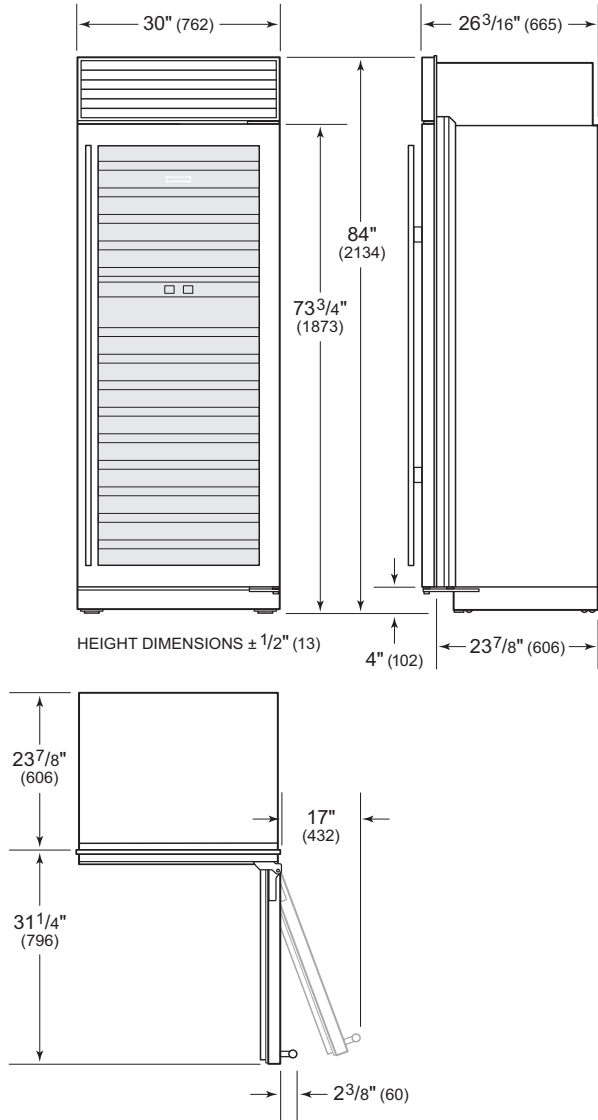
Dual installation kits are available through an authorized Sub-Zero dealer. For local dealer information, visit the find a showroom section of our website, subzero.com. For questions regarding the installation, call Sub-Zero Customer Care at 800-222-7820.

NOTE: 3 1/2" (89) finished returns will be visible and should be finished to match cabinetry.



Overall Dimensions

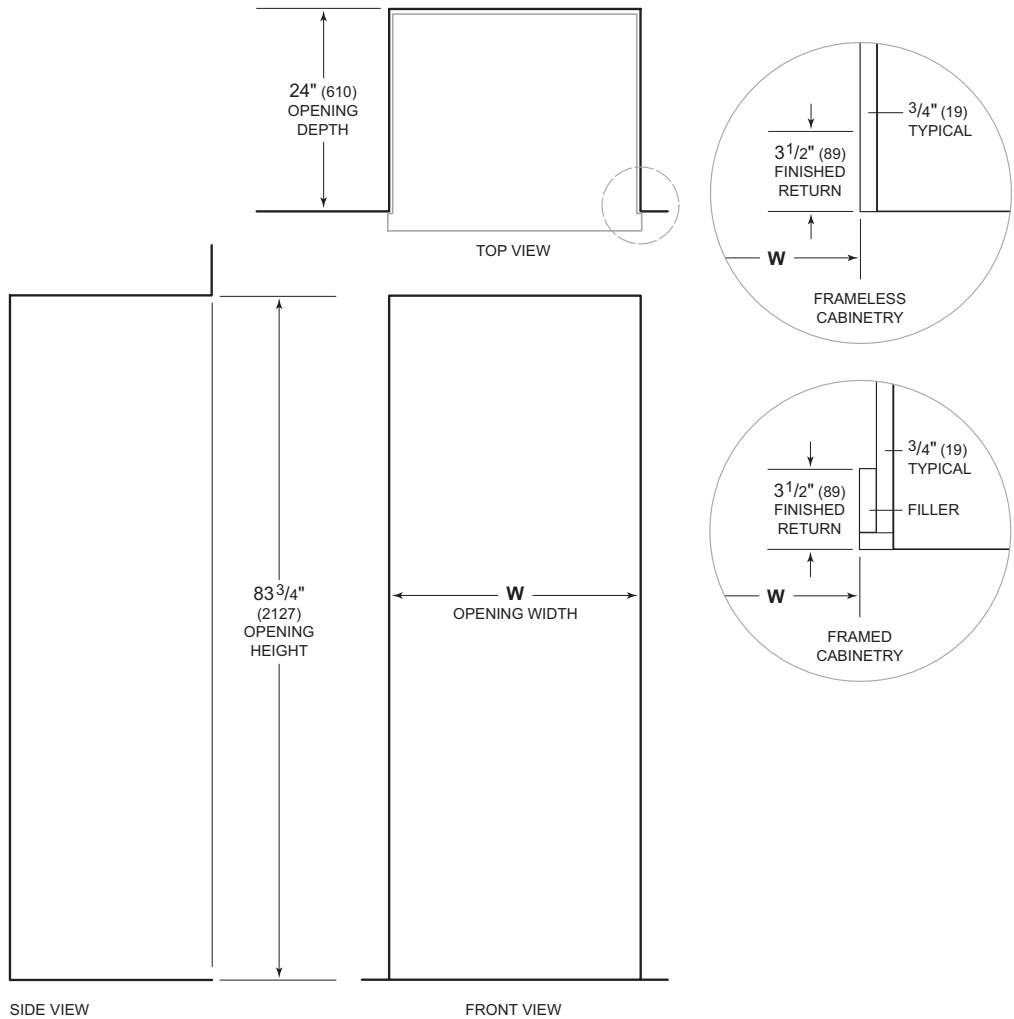
MODEL BW-30



IMPORTANT NOTE: Overall dimensions are based on the stainless steel model. For flush inset applications, add 1/2" (13) to door clearance dimensions.

Opening Dimensions

MODEL BW-30 STANDARD INSTALLATION



NOTE: 3 1/2" (89) finished returns will be visible and should be finished to match cabinetry. Shaded line represents profile of unit.

OPENING WIDTH

W

BW-30

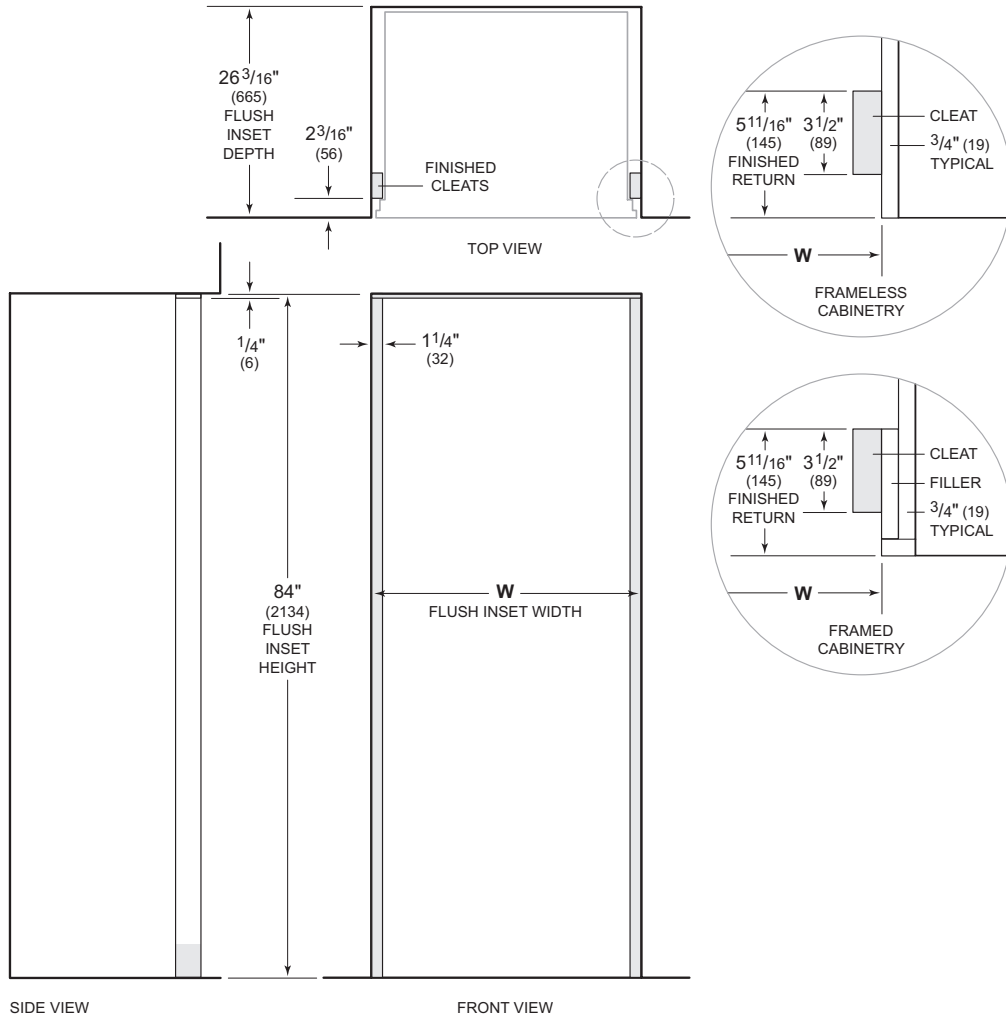
29 1/2" (749)

If an 83" (2108) grille height is specified, the opening height must be decreased by 7/8" (22). If an 88" (2235) grille height is specified, the opening height must be increased by 4" (102).

If two units are installed side by side, refer to page 64 for dual standard installations.

Opening Dimensions

MODEL BW-30 FLUSH INSET INSTALLATION



NOTE: 3 1/2" (89) finished returns and shaded areas will be visible and should be finished to match cabinetry. Shaded line represents profile of unit with 3/4" (19) panel.

FLUSH INSET WIDTH

W

BW-30

32" (813)

Flush inset is available for overlay models only.

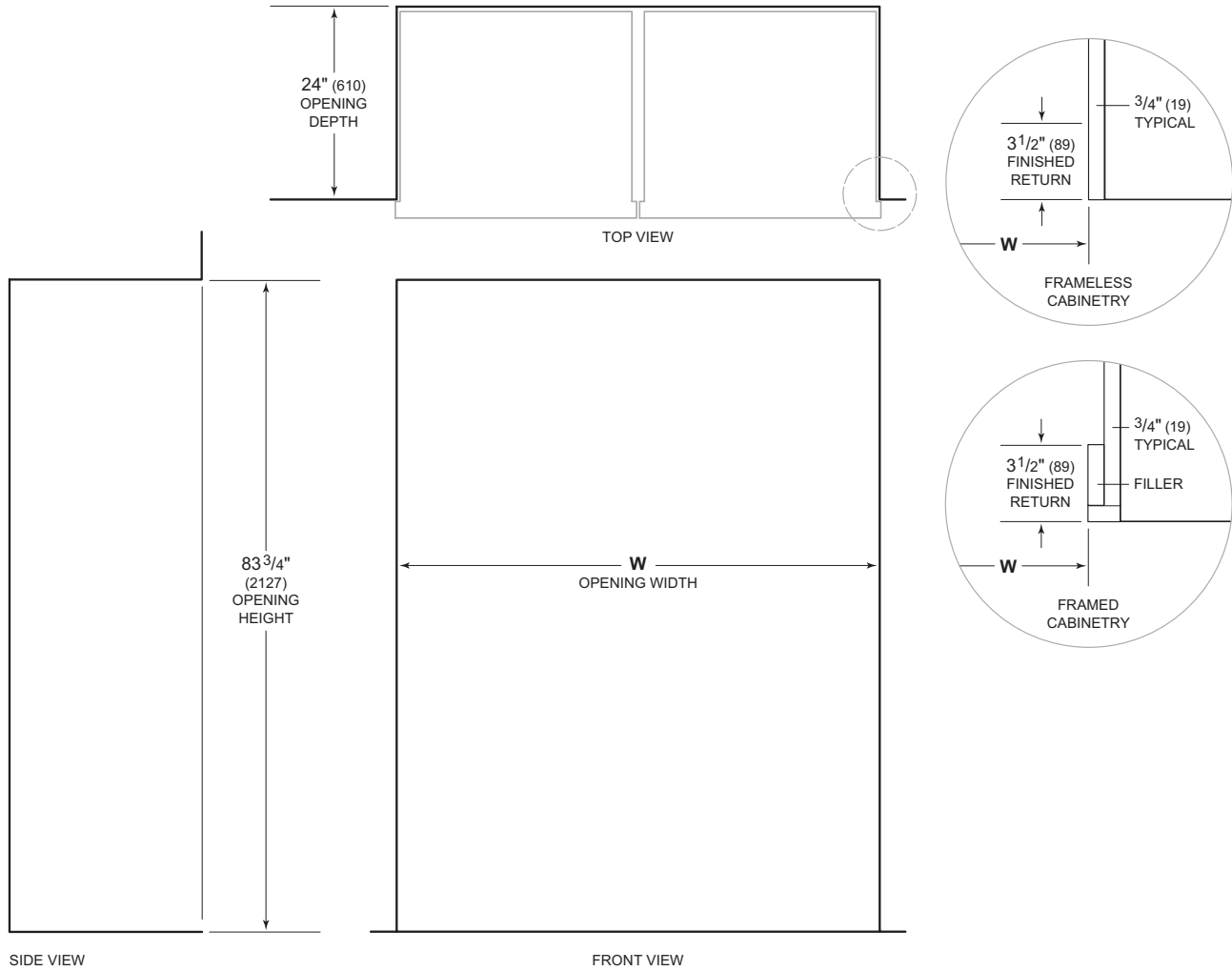
Dimensions assume a 3/4" (19) panel thickness.

If an 83" (2108) grille height is specified, the flush inset height must be decreased by 7/8" (22). If an 88" (2235) grille height is specified, the flush inset height must be increased by 4" (102).

If two units are installed side by side, refer to page 65 for dual flush inset installations.

Opening Dimensions

MODEL BW-30 DUAL STANDARD INSTALLATION



NOTE: 3 1/2" (89) finished returns will be visible and should be finished to match cabinetry. Shaded line represents profile of unit.

DUAL OPENING WIDTH

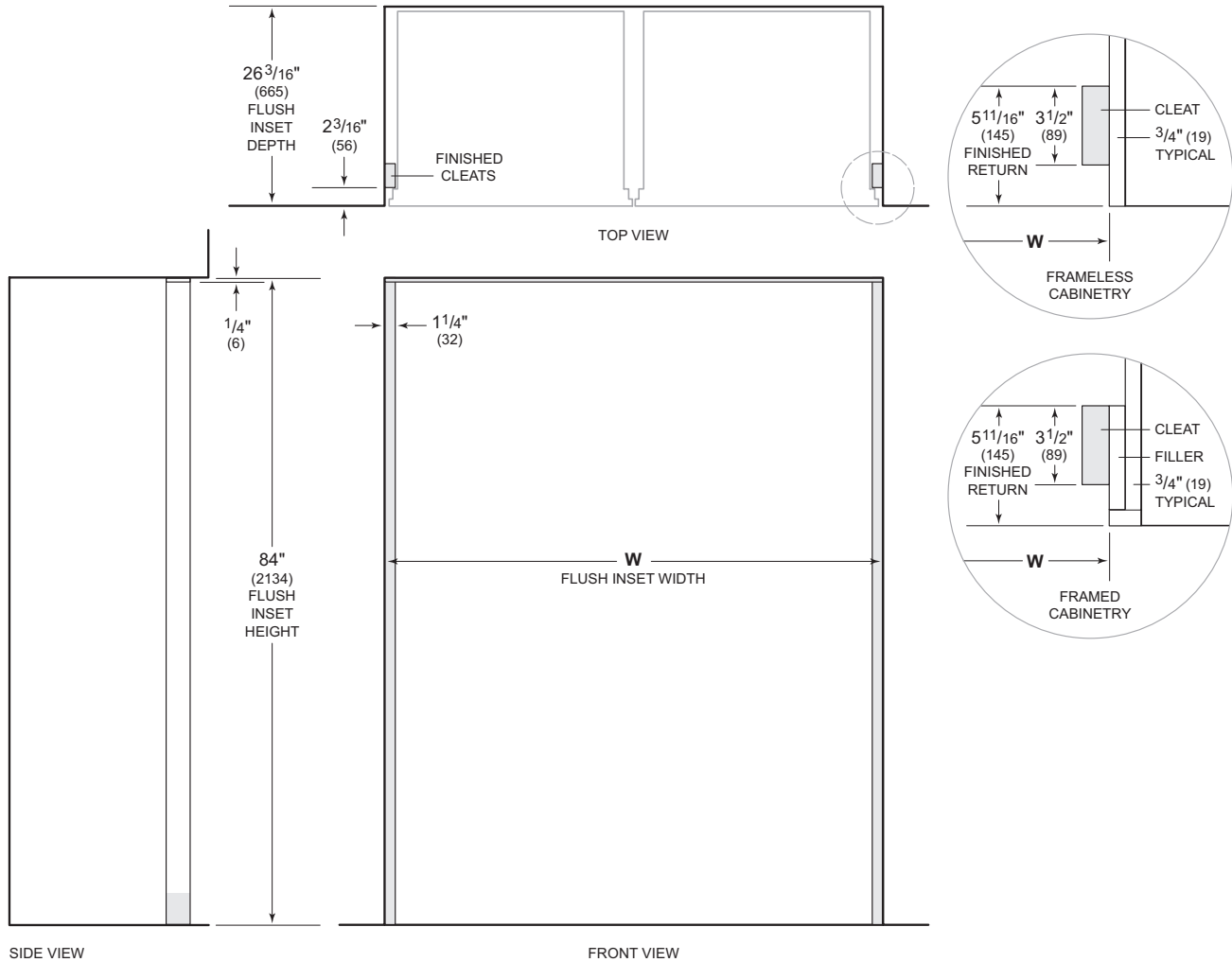
W

BW-30 and 30" Classic Series Model	59 3/4" (1518)
BW-30 and 36" Classic Series Model	65 3/4" (1670)

A dual installation kit is required for this installation.

Opening Dimensions

MODEL BW-30 DUAL FLUSH INSET INSTALLATION



NOTE: 3 1/2" (89) finished returns and shaded areas will be visible and should be finished to match cabinetry. Shaded line represents profile of unit with 3/4" (19) panel.

DUAL FLUSH INSET WIDTH

W

BW-30 and 30" Classic Series Model	62 1/4" (1581)
BW-30 and 36" Classic Series Model	68 1/4" (1734)

Flush inset is available for overlay models only.

Dimensions assume a 3/4" (19) panel thickness. A dual installation kit is required for this installation.

Electrical Requirements

Installation must comply with all applicable electrical codes.

Locate the electrical supply within the shaded area shown in the illustration for your specific model. For Designer Series models, also refer to the chart. A separate circuit servicing only this appliance is required. A ground fault circuit interrupter (GFCI) is not recommended and may cause interruption of operation.

If the unit will be connected to a home security system, allow 36" (914) of excess wiring for proper connection.

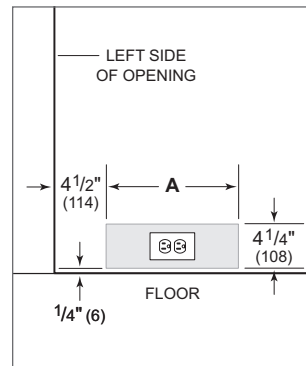
IMPORTANT NOTE: For Undercounter and Designer Series models, the electrical outlet must be positioned with the grounding prong to the right of the thinner blades.

ELECTRICAL REQUIREMENTS

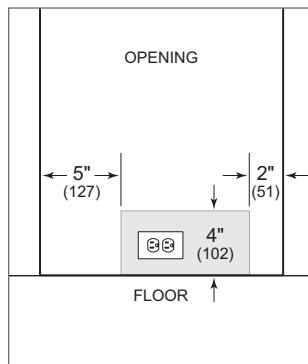
Electrical Supply	115 VAC, 60 Hz
Service	15 amp dedicated circuit
Receptacle	3-prong grounding-type

ELECTRICAL LOCATION—DESIGNER SERIES

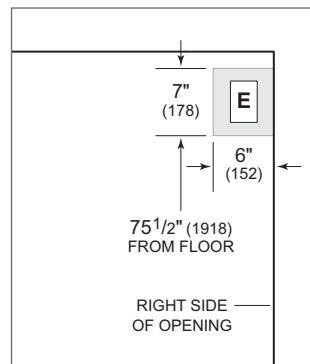
	A
18" Model	6" (152)
24" Model	9½" (241)
30" Model	12½" (318)



Designer Series models



Model DEU2450W



Model BW-30

Plumbing Requirements

MODEL DET3050WCI

Installation must comply with all applicable plumbing codes.

For model DET3050WCI, locate the water supply line within the shaded area shown in the illustration below. Connect the water supply line to the house supply with an easily accessible shut-off valve. Do not use self-piercing valves. The water supply line must not interfere with installation of the anti-tip bracket.

A reverse osmosis system can be used provided there is constant water pressure of 35–120 psi (2.4–8.3 bar) supplied to the unit at all times. A copper line is not recommended for this application.

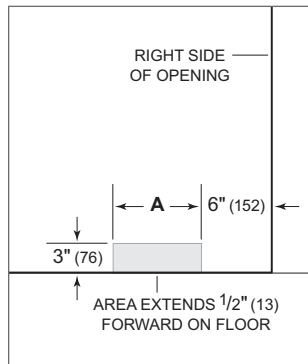
PLUMBING REQUIREMENTS

Water Supply	1/4" OD copper, braided stainless steel, or PEX tubing
Pressure	35–120 psi (2.4–8.3 bar)
Excess Line for Connection	36" (914)

WATER SUPPLY LOCATION

A

DET3050WCI	6" (152)
------------	----------



Water supply location

Custom Panels

For all models excluding stainless steel, door panels and handles must be provided. Refer to the panel requirements and custom panel dimensions charts for your specific model and design application.

Do not install a solid panel on a glass door unit. A solid door is available as a sales accessory (except model BW-30) and must be installed if a solid panel is being specified. Service may be required to install the door. Contact an authorized Sub-Zero dealer for more information. Overall dimensions are the same for glass and solid door panels.

Finish all sides of the custom panels. They may be visible when the door is open or through the window of glass door models.

A D-style handle is recommended. Locate the door handle near the edge of the panel opposite the hinge and centered top to bottom. Stainless steel tubular and pro handles are available through an authorized Sub-Zero dealer. For local dealer information, visit the find a showroom section of our website, subzero.com.

⚠ CAUTION

As reveals between cabinetry and the unit decrease, severe finger pinching can occur while the door is closing.

Custom Panel—DEU2450W

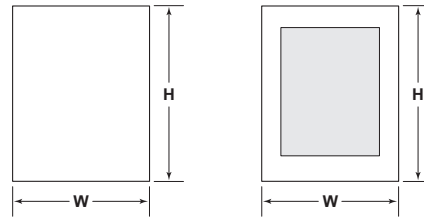
For model DEU2450W, the custom door panel will attach directly to the door frame with screws through a series of pre-drilled holes. Refer to the following charts for panel requirements and dimensions.

The panel cannot exceed the maximum panel weight indicated in the chart below. The depth of each model is 23¹/₈" (587). Allow for panel thickness when planning the finished opening depth.

PANEL REQUIREMENTS

Panel Weight	22 lb (10 kg) max
Panel Thickness	5/8" (16) min – 3/4" (19) max

TYPICAL PANEL DIMENSIONS



PANEL DIMENSIONS

MODEL	W	H
DEU2450W	23 ³ / ₄ " (603)	30 ³ / ₈ " (772)
STILES / RAILS		MIN*
Stiles		3 ¹ / ₄ " (83)
Top Rail		3 ¹ / ₂ " (89)
Bottom Rail		4 ¹ / ₂ " (114)

*Glass door models only.

DUAL INSTALLATION

For dual installations, refer to the chart below for typical panel dimensions.

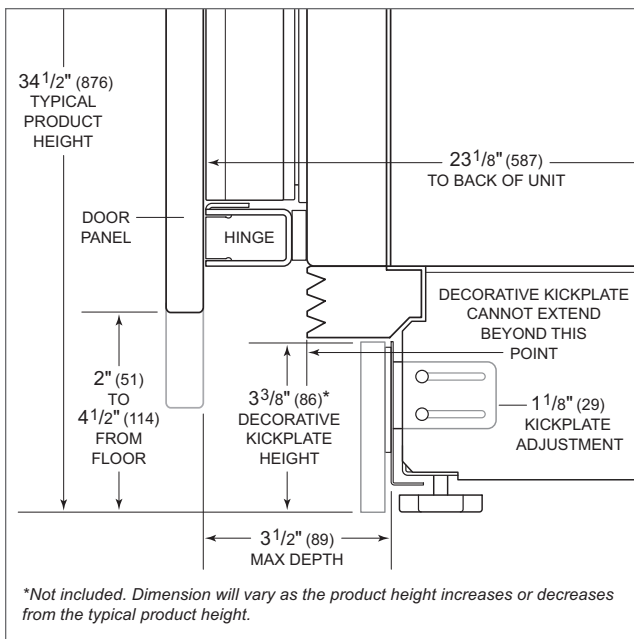
PANEL DIMENSIONS—DUAL INSTALLATION

MODEL	W	H
DEU2450W	23 ¹ / ₁₆ " (605)	30 ³ / ₈ " (772)

Custom Panel—DEU2450W

TOE KICK CLEARANCE

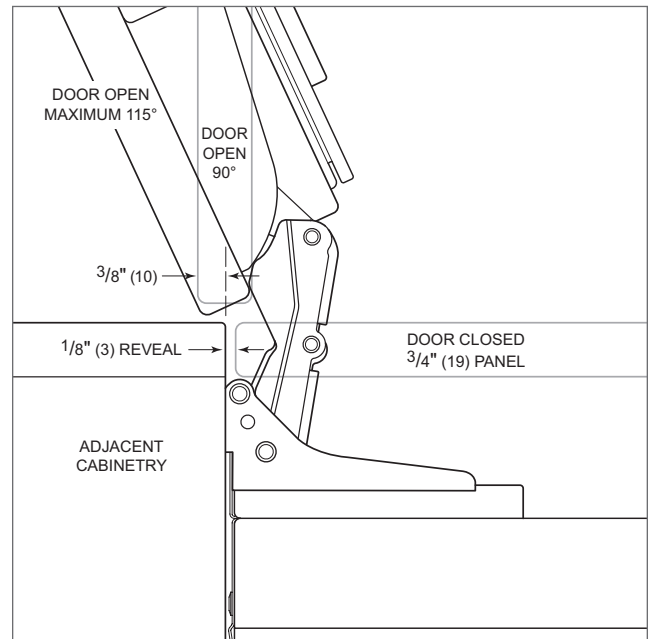
The height of the toe kick area can extend beyond the typical toe kick height, provided it does not exceed the dimensions in the illustration below. For questions regarding the installation, call Sub-Zero Customer Care at 800-222-7820.



Toe kick clearance (side view)

MAXIMUM DOOR OPENING

As the panel width and/or depth increases, so does the potential for panel interference. Interference may be minimized by using the 90° door stop.



Maximum door opening (top view)

Custom Panel—Designer Series

For Designer Series models, custom door/drawer panels and handle hardware must be provided. Refer to the Panel Requirements chart and Typical Panel Dimensions.

Do not install a solid panel on the glass door unit. A solid door is available as a sales accessory through an authorized Sub-Zero dealer.

The thickness of the custom panel can vary. A minimum $\frac{5}{8}$ " (16) thick panel is required, but the thickness can be increased provided it does not exceed the maximum panel weight indicated in the chart below. The depth of each Designer Series model is 24" (610). Allow for panel thickness when planning the finished opening depth. Refer to the full-scale template on page 53.

PANEL REQUIREMENTS

WEIGHT PER PANEL	MAX
Door Frame (column)	35 lb (16 kg)
Door Frame (tall)	25 lb (11 kg)
Drawer Panel (tall)	15 lb (7 kg)

PANEL THICKNESS	MIN
All Panels	$\frac{5}{8}$ " (16)

Reveals between panels can vary, $\frac{1}{8}$ " (3) reveals are typical.

⚠ CAUTION

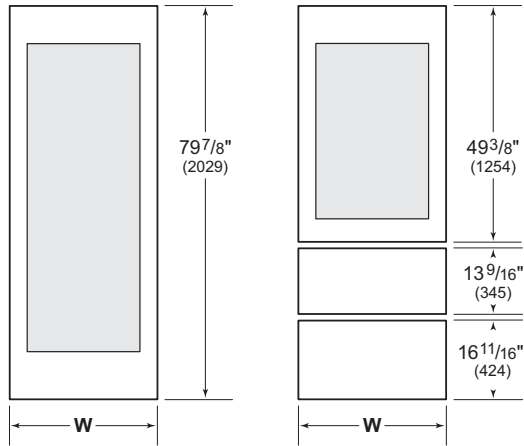
As reveals between cabinetry and the unit decrease, severe finger pinching can occur while the door is closing.

Finish all sides of the custom panels. They will be visible when the door/drawer is open.

D-style handles are recommended. Locate the door handle near the edge of the panel opposite the hinge and centered top to bottom. Locate the drawer handles near the top edge of each panel. Stainless steel tubular and pro handles are available through an authorized Sub-Zero dealer. For local dealer information, visit the find a showroom section of our website, subzero.com.

Custom Panel—Designer Series

TYPICAL PANEL DIMENSIONS



Column

Tall

Typical panel dimensions are based on an 84" (2134) finished height, 4" (102) toe kick, and 1/8" (3) reveals. Panel dimensions must be adjusted accordingly for all other installations. Refer to the illustration for panel height and the chart below for panel width.

PANEL WIDTH	W
18" Model	17 ³ / ₄ " (451)
24" Model	23 ³ / ₄ " (603)
30" Model	29 ³ / ₄ " (756)

STILES / RAILS	W
Stiles	3 ¹ / ₄ " (83)
Top Rail	7 ³ / ₄ " (197)
Bottom Rail (column)	9 ¹ / ₂ " (241)
Bottom Rail (tall)	4 ¹ / ₂ " (114)

DUAL INSTALLATION

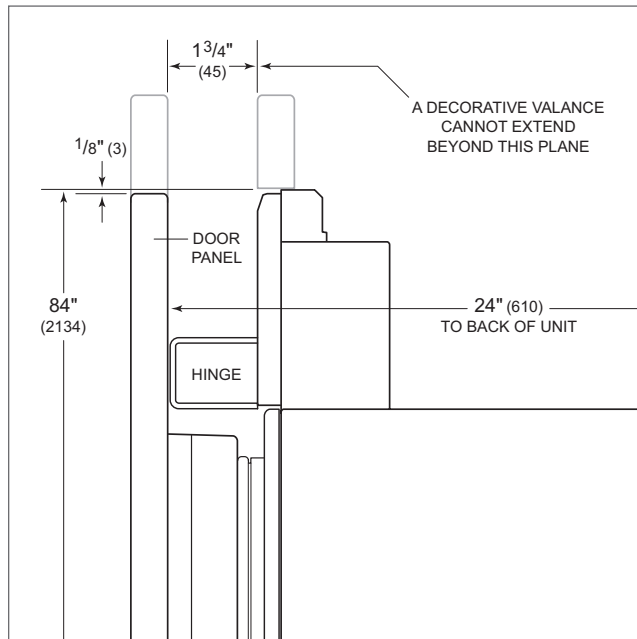
For dual installations, refer to the illustration for panel height and the chart below for panel width.

PANEL WIDTH	W
18" Model	17 ¹³ / ₁₆ " (452)
24" Model	23 ¹³ / ₁₆ " (605)
30" Model	29 ¹³ / ₁₆ " (757)

Custom Panels—Designer Series

DOOR PANEL HEIGHT

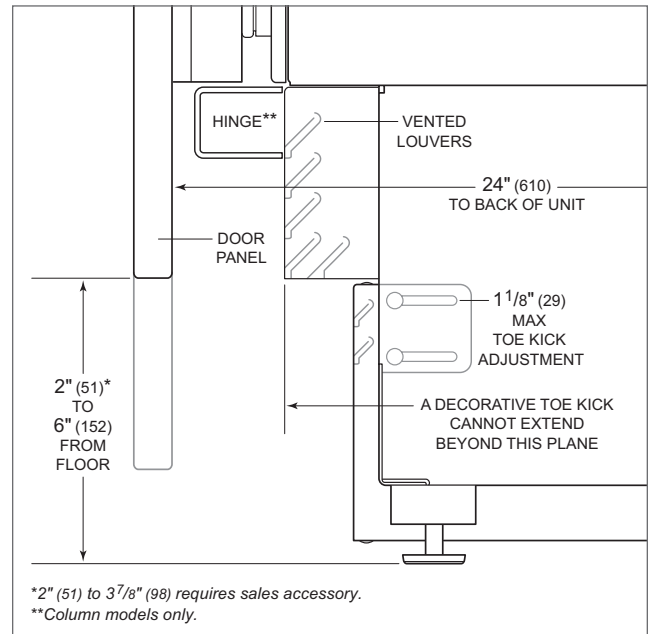
The height of the custom door panel can extend beyond the typical panel height, provided it does not exceed the weight limit. Refer to the illustration below.



Upper valance (side view)

TOE KICK CLEARANCE

The height of the toe kick area can extend beyond the typical toe kick height, provided it does not exceed the dimensions in the illustration below. Toe kick heights from 2" (51) to 3 7/8" (98) require a reduced toe kick accessory available through an authorized Sub-Zero dealer. For questions regarding the installation, call Sub-Zero Customer Care at 800-222-7820.



*2" (51) to 3 7/8" (98) requires sales accessory.
**Column models only.

Toe kick (side view)

Custom Panel—BW-30

FRAMED

The framed application is an overlay model with framed design features. It is not a separate model.

If the custom panel is thinner than 1/4" (6), a filler material must be added to achieve a proper fit. If the panel is thicker than 1/4" (6), rout an edge around the panel or mount the custom panel on a sheet of 1/4" (6) thick material and insert into the channel.

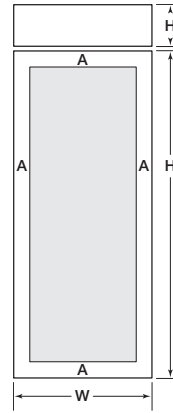
Routing, recessing, and optional extended handles may be required for finger clearance. Refer to the full-scale template on page 82.

PANEL REQUIREMENTS

WEIGHT PER PANEL	MAX
Door	75 lb (34 kg)
Grille (optional)	13 lb (6 kg)

PANEL THICKNESS	MIN
Framed	1/4" (6)

FRAMED PANEL DIMENSIONS



BW-30

PANEL DIMENSIONS

FRAMED PANEL	W	H
Door	29 3/4" (756)	69 9/16" (1767)
Grille (optional)	29 3/4" (756)	8 15/16" (227)

STILES / RAILS	A
Minimum	3 3/16" (81)

Custom Panel—BW-30

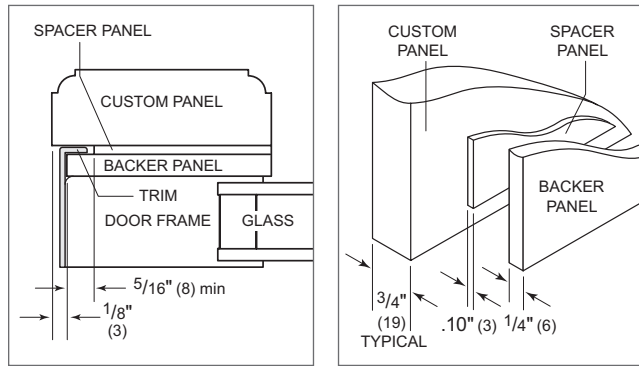
OVERLAY

Overlay panels are typically created by combining a $\frac{3}{4}$ " (19) custom panel, a .10" (3) spacer panel, and a $\frac{1}{4}$ " (6) backer panel. Refer to the illustrations below.

PANEL REQUIREMENTS

WEIGHT PER PANEL	MAX
Door	75 lb (34 kg)
Grille	13 lb (6 kg)

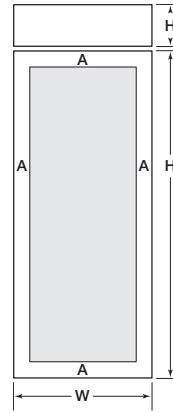
PANEL THICKNESS	MIN
Overlay	$\frac{5}{8}$ " (16)



Panel assembly (cross section)

Panel assembly (rear view)

OVERLAY PANEL DIMENSIONS



BW-30

OVERLAY PANELS

DOOR	W	H
Overlay Panel	30" (762)	69 $\frac{3}{4}$ " (1772)
Spacer Panel	29 $\frac{1}{8}$ " (740)	68 $\frac{15}{16}$ " (1751)
Backer Panel	29 $\frac{3}{4}$ " (756)	69 $\frac{9}{16}$ " (1767)

GRILLE	W	H
Overlay Panel	30" (762)	9 $\frac{1}{4}$ " (235)*
Spacer Panel	29 $\frac{1}{8}$ " (740)	8 $\frac{5}{16}$ " (211)
Backer Panel	29 $\frac{3}{4}$ " (756)	8 $\frac{15}{16}$ " (227)

STILES / RAILS	A
Minimum	3 $\frac{1}{4}$ " (83)

*Panel height may be increased by $\frac{7}{16}$ " (11) to hide upper main frame. Also refer to Classic panel configurator at subzero.com/trade/panels.

Grille panel dimensions are for standard 84" (2134) overall unit height. For 83" (2108) height, subtract 1" (25) from grille panel height dimensions and for 88" (2235) height, add 4" (102). A specific panel grille must be ordered for an 83" or 88" overall unit height.

Custom Panel—BW-30

FLUSH INSET

The flush inset application is an overlay model with flush inset panels. It is not a separate model.

The flush inset design allows custom panels to be installed flush with adjacent cabinets. Similar to overlay, flush inset panels are typically created by combining a $\frac{3}{4}$ " (19) custom panel, a .10" (3) spacer panel, and a $\frac{1}{4}$ " (6) backer panel. Refer to the illustrations for overlay panels on the previous page.

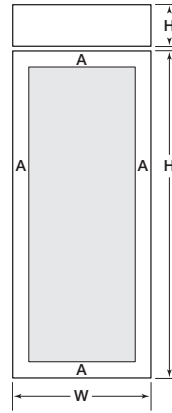
For flush inset panels thicker than $\frac{3}{4}$ " (19), a 90° door stop may be required to prevent interference with adjacent cabinets. Refer to the full-scale template on page 85.

PANEL REQUIREMENTS

WEIGHT PER PANEL	MAX
Door	75 lb (34 kg)
Grille	13 lb (6 kg)

PANEL THICKNESS	MIN
Flush Inset	$\frac{5}{8}$ " (16)

FLUSH INSET PANEL DIMENSIONS



BW-30

FLUSH INSET PANELS

DOOR	W	H
Flush Inset Panel	31" (787)	69 $\frac{3}{4}$ " (1772)
Spacer Panel	29 $\frac{1}{8}$ " (740)	68 $\frac{15}{16}$ " (1751)
Backer Panel	29 $\frac{3}{4}$ " (756)	69 $\frac{9}{16}$ " (1767)

GRILLE	W	H
Flush Inset Panel	31" (787)	9 $\frac{1}{4}$ " (235)
Spacer Panel	29 $\frac{1}{8}$ " (740)	8 $\frac{5}{16}$ " (211)
Backer Panel	29 $\frac{3}{4}$ " (756)	8 $\frac{15}{16}$ " (227)

STILES / RAILS	A
Minimum	3 $\frac{3}{4}$ " (95)

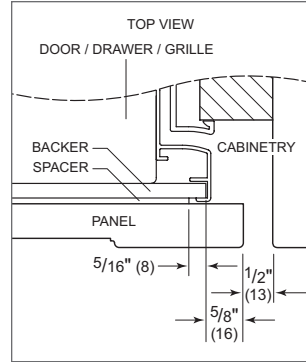
Grille panel dimensions are for standard 84" (2134) overall unit height. For 83" (2108) height, subtract 1" (25) from grille panel height dimensions and for 88" (2235) height, add 4" (102). A specific panel grille must be ordered for an 83" or 88" overall unit height.

Custom Panel—BW-30

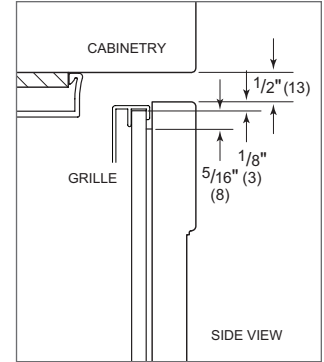
FLUSH INSET PANEL OFFSET

The illustrations provide panel offsets and reveals for model BW-30 in a flush inset application. Refer to the chart below for reference to the illustrations.

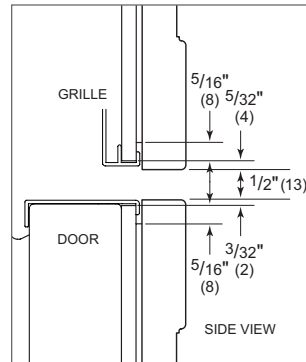
PANEL OFFSET	ILLUS
Door / Grille Sides	A
Grille Top	B
Grille Bottom / Door Top	C
Door Bottom	D



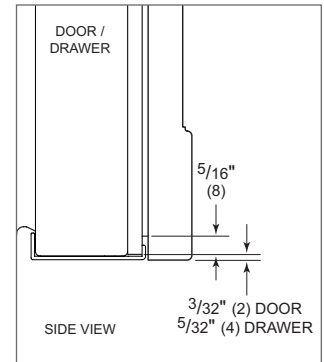
Illus. A



Illus. B



Illus. C



Illus. D

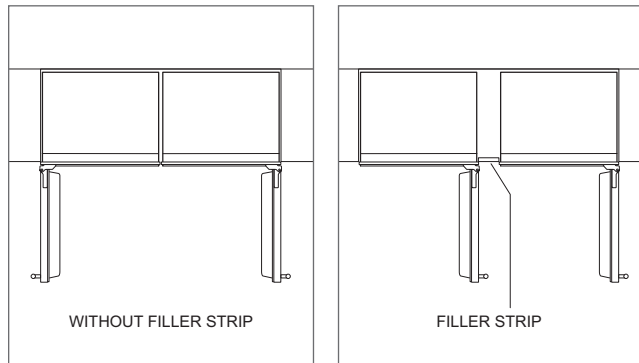
Custom Panel—BW-30

DUAL INSTALLATIONS

A dual installation kit may be required if two models BW-30 or a model BW-30 and a Classic Series unit are installed side by side. Installations without a custom filler strip require a dual installation kit. If a dual installation kit is not specified, a 2" (51) filler strip is recommended between the units. Dual installations without a filler strip can only be accomplished using two 84" (2134) units with opposite hinges. Refer to the illustrations below.

Dual installation kits are available through an authorized Sub-Zero dealer. For local dealer information, visit the find a showroom section of our website, subzero.com. For questions regarding the installation, call Sub-Zero Customer Care at 800-222-7820.

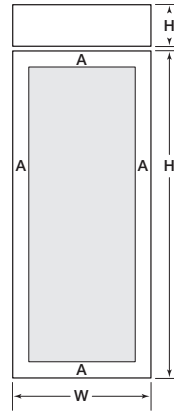
For dual standard installations, panel dimensions are the same as for single installations. Refer to the chart on page 74. Panel dimensions and offsets for dual flush inset installations are listed in the following charts.



Opposite hinges

Same side hinges

DUAL FLUSH INSET PANEL DIMENSIONS



BW-30

DUAL FLUSH INSET PANELS

DOOR	W	H
Flush Inset Panel	30½" (775)	69¾" (1772)
Spacer Panel	29⅛" (740)	68⅛" (1751)
Backer Panel	29¾" (756)	69⅛" (1767)
GRILLE	W	H
Flush Inset Panel	30½" (775)	9¼" (235)
Spacer Panel	29⅛" (740)	8⅝" (211)
Backer Panel	29¾" (756)	8⅝" (227)
STILES / RAILS	A	
Minimum	3¾" (95)	

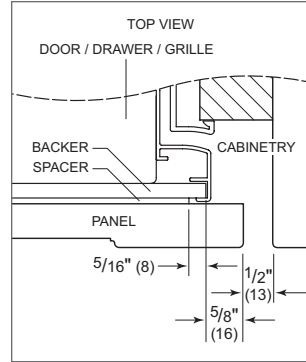
Grille panel dimensions are for standard 84" (2134) overall unit height.

Custom Panel—BW-30

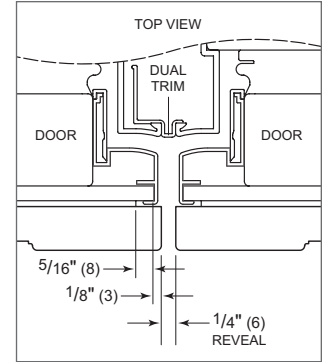
DUAL FLUSH INSET PANEL OFFSET

The illustrations provide panel offsets and reveals for model BW-30 in a dual flush inset application. Refer to the chart below for reference to the illustrations.

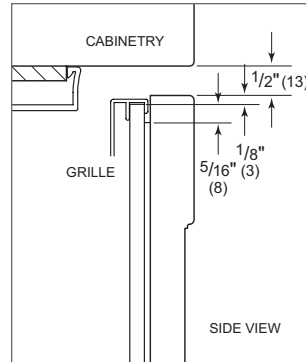
PANEL OFFSET	ILLUS
Door (hinge) / Grille Sides	A
Door (handle) Sides	B
Grille Top	C
Grille Bottom / Door Top	D
Door Bottom	E



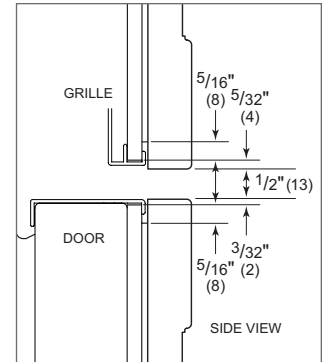
Illus. A



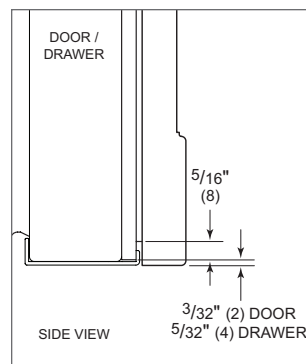
Illus. B



Illus. C



Illus. D



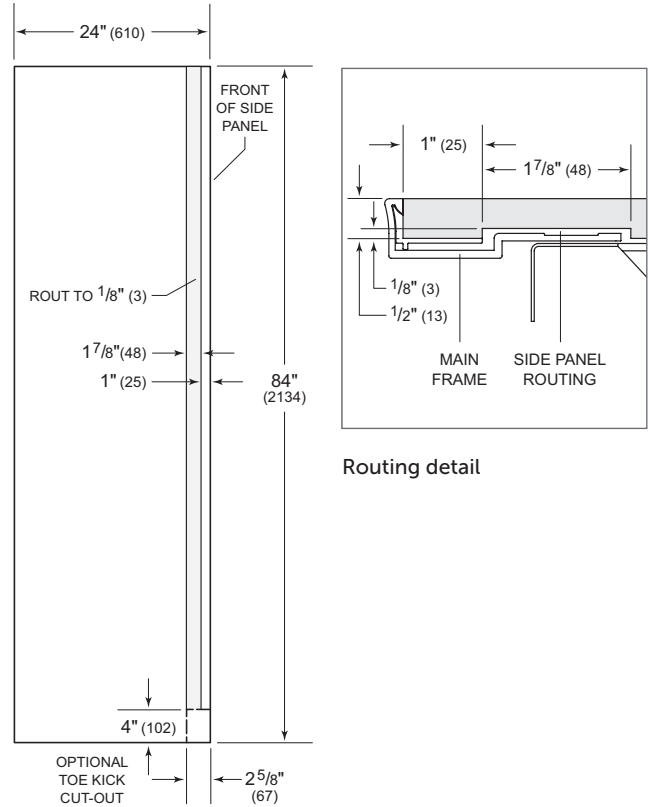
Illus. E

Custom Panel—BW-30

SIDE PANEL

The custom side panel must be a minimum of 24" (610) deep and 1/2" (13) thick. Routing will be necessary for the side panel to fit flush against the side of the unit. Refer to the illustrations.

When installing model BW-30 with a custom side panel, an accessory kit is required. Stainless steel and white enamel side panels are available for an 84" (2134) finished height through an authorized Sub-Zero dealer. For local dealer information, visit the find a showroom section of our website, subzero.com.



Side panel dimensions

Routing detail

Standard Handles

Optional stainless steel tubular and pro handles are available through an authorized Sub-Zero dealer. For local dealer information, visit the find a showroom section of our website, subzero.com.

Refer to the chart below for standard handle lengths for wine storage models.

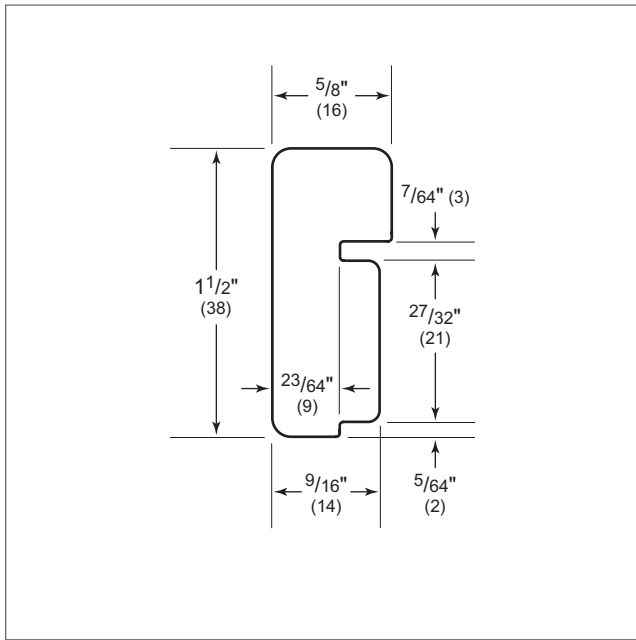
HANDLE LENGTH	TUBULAR	PRO
DEU2450W Door	24 ³ / ₁₆ " (614)	22 ¹ / ₂ " (572)
Column Door	50 ¹ / ₈ " (1273)	48 ³ / ₈ " (1229)
Tall Door	33 ¹ / ₄ " (845)	31 ¹ / ₂ " (800)
Tall Drawer	27 ¹ / ₄ " (692)	25 ¹ / ₂ " (648)
BW-30 Door	63 ⁷ / ₈ " (1622)	45 ³ / ₁₆ " (1147)

Wine Rack Wood Facing

MODEL DEU2450

The natural cherrywood facing on wine storage racks can be stained and sealed, or replaced with wood more complementary to surrounding cabinetry. Refer to the full-scale templates below for the profile dimensions of the wood facing and the charts for the width.

WOOD FACING WIDTH	W
DEU2450W	19 ¹ / ₄ " (489)

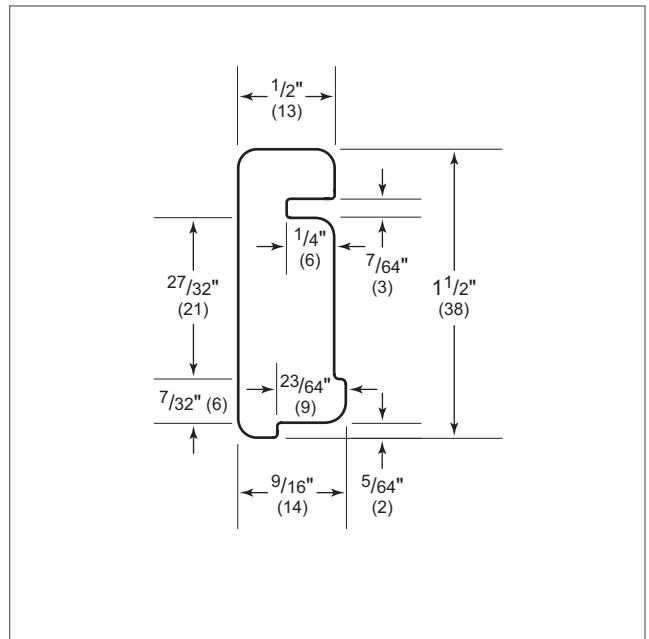


Wood facing profile—Model DEU2450W

DESIGNER SERIES / MODEL BW-30

The natural cherrywood facing on wine storage racks can be stained and sealed, or replaced with wood more complementary to surrounding cabinetry. Refer to the full-scale template below for the profile dimensions of the wood facing and the chart for the width.

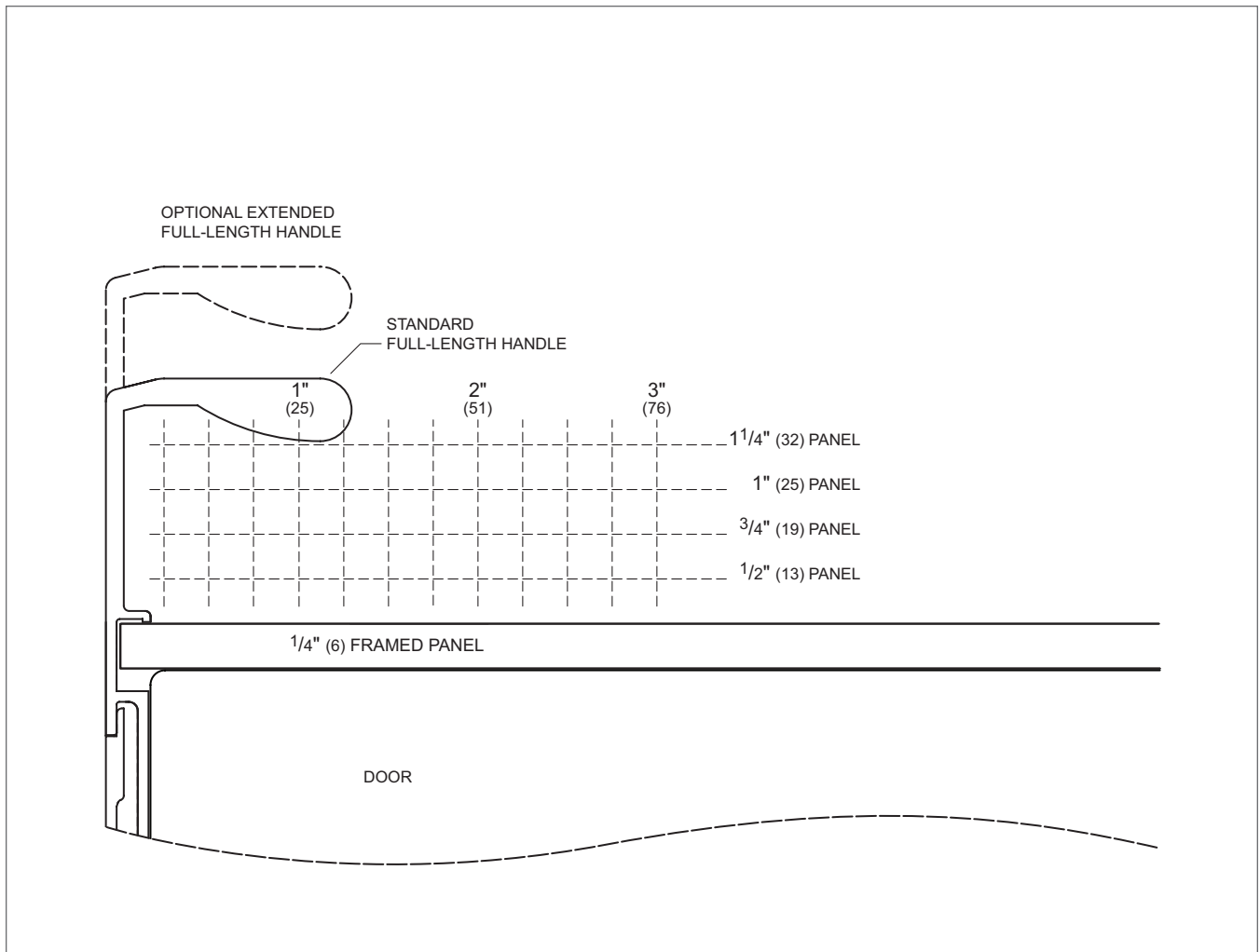
WOOD FACING WIDTH	W
18" Column	11 ⁵ / ₈ " (295)
24" Column	17 ⁵ / ₈ " (448)
30" Column/Tall	23 ⁵ / ₈ " (600)
BW-30	24 ⁹ / ₁₆ " (624)



Wood facing profile—Designer Series and Model BW-30

Framed Panel—BW-30

FULL-SCALE TEMPLATE

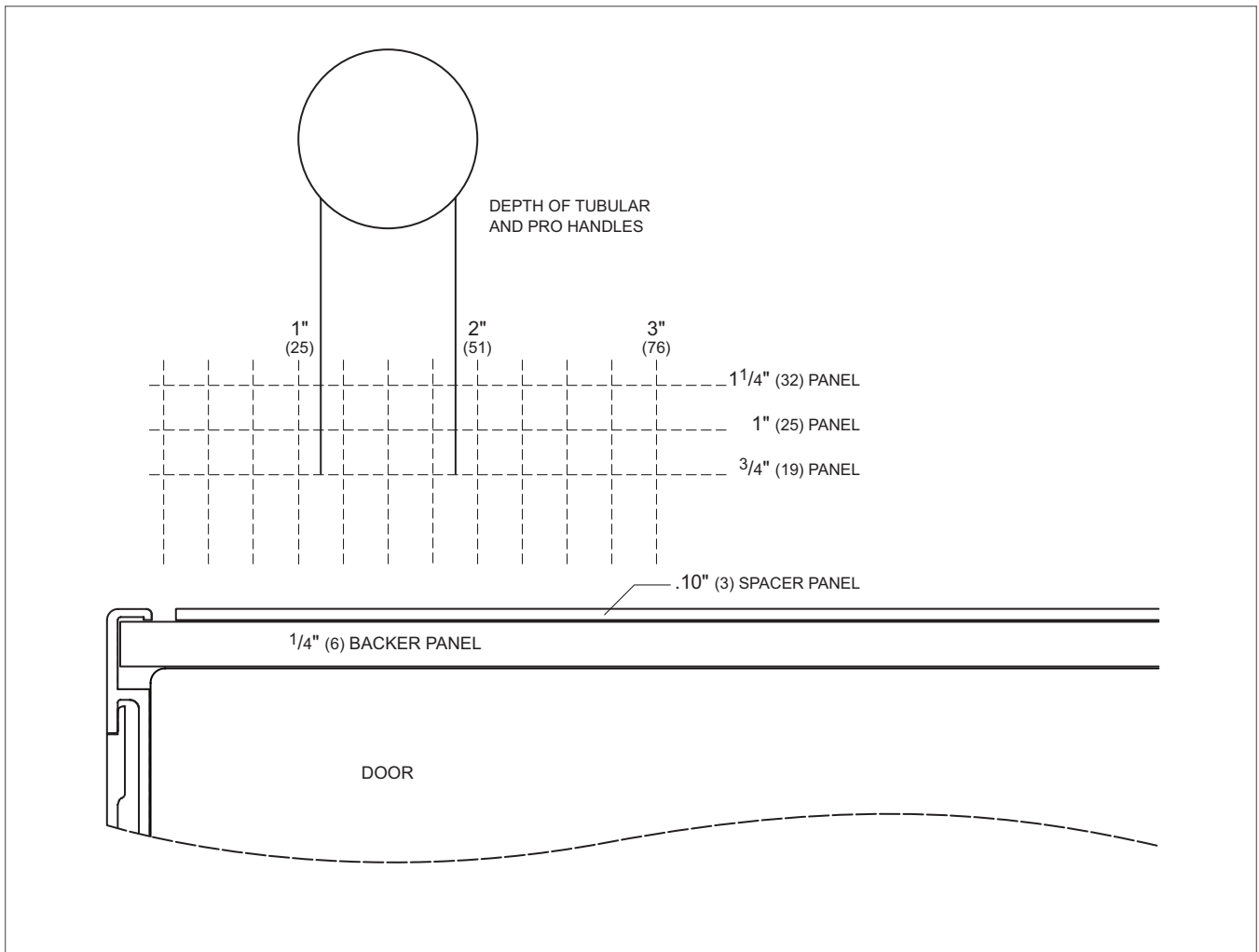


Framed panel thickness

Overlay / Flush Inset Panels—BW-30

FULL-SCALE TEMPLATE

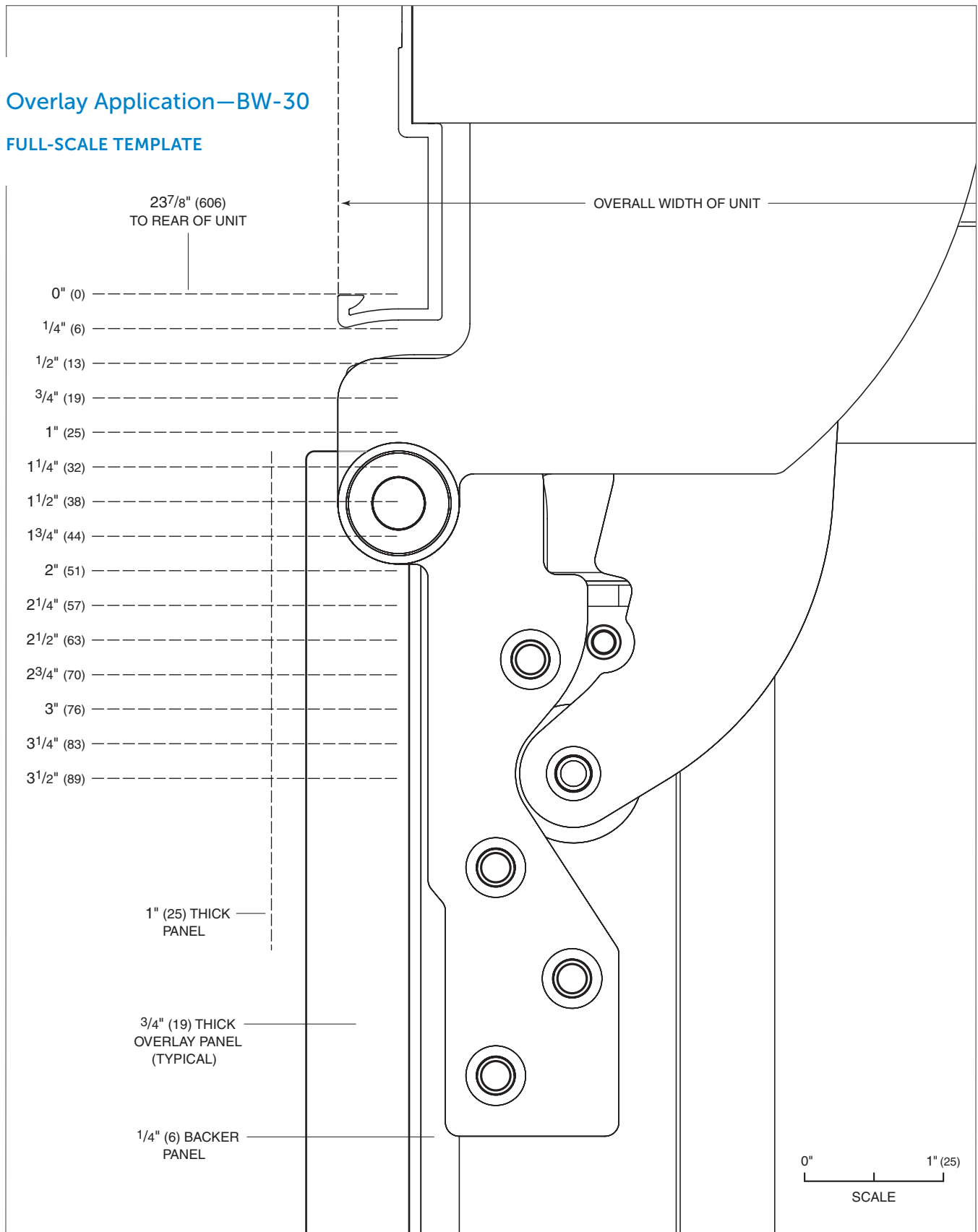
Overlay and flush inset panels must be a minimum of $\frac{5}{8}$ " (16) thick to support mounting the handle. Panel thickness does not include the backer and spacer panels. Mount the handle close to the opening edge of the door.



Overlay and flush inset panel thickness

Overlay Application—BW-30

FULL-SCALE TEMPLATE

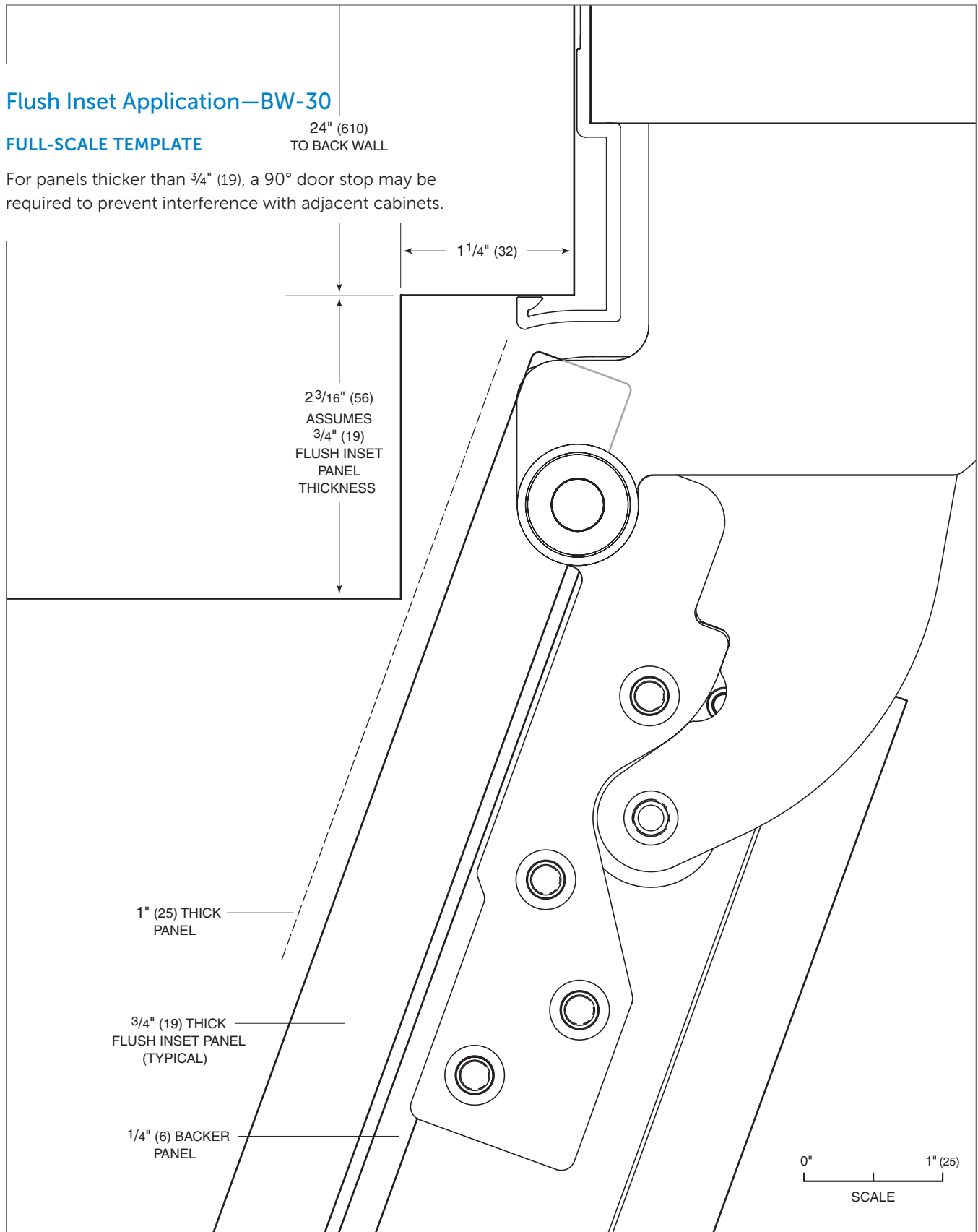


90° door opening (top view)

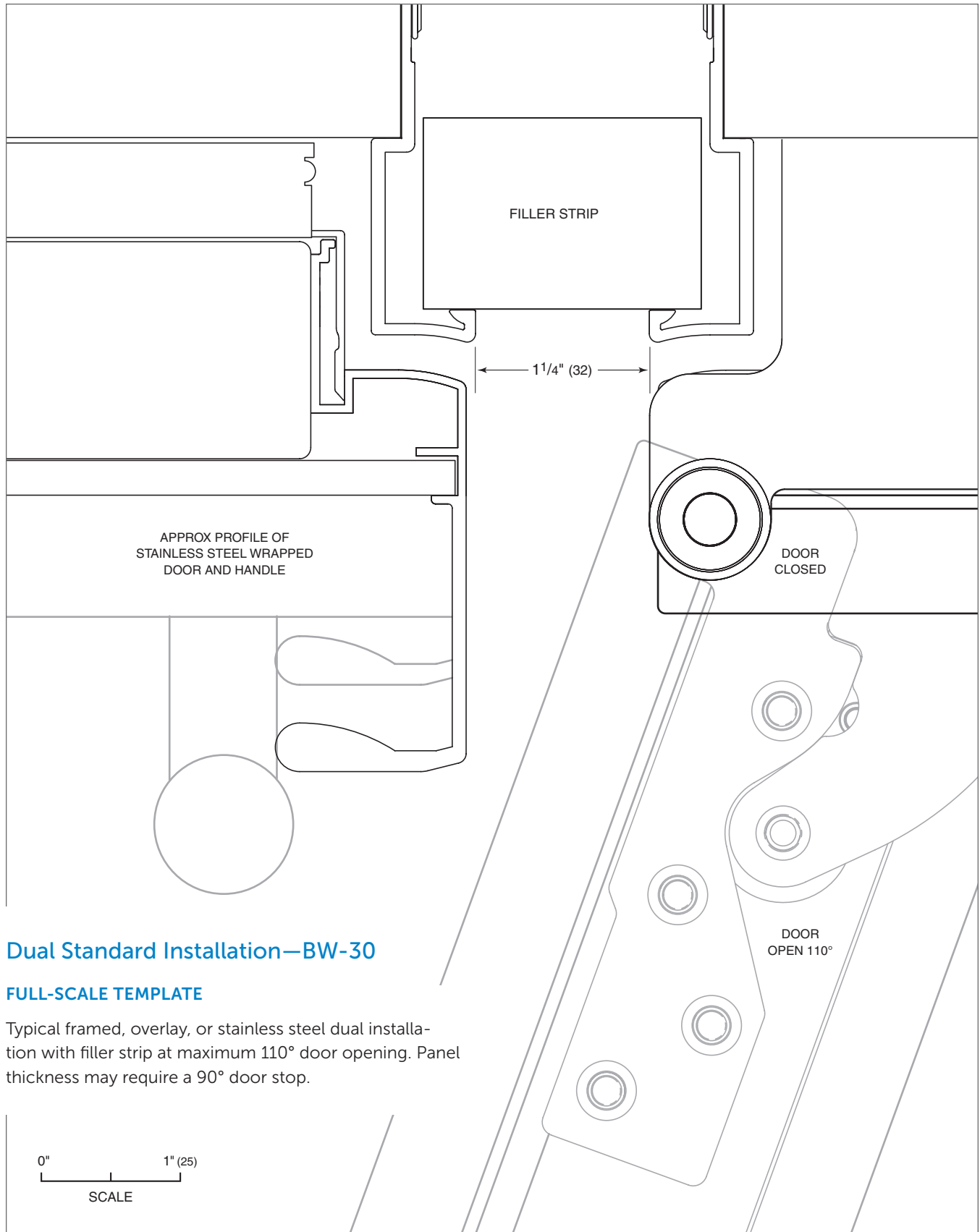
Flush Inset Application—BW-30

FULL-SCALE TEMPLATE

For panels thicker than 3/4" (19), a 90° door stop may be required to prevent interference with adjacent cabinets.



110° door opening (top view)

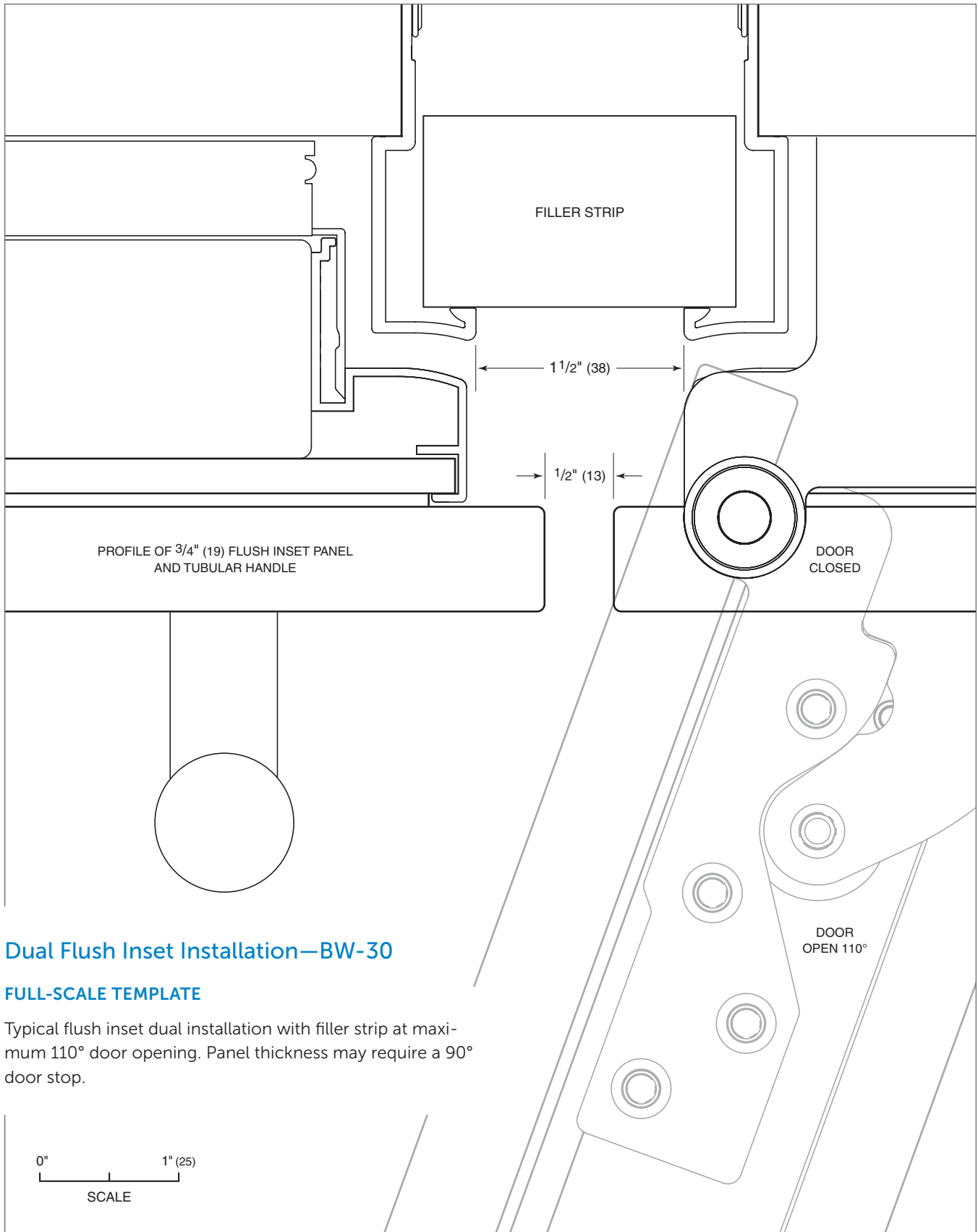


Dual Standard Installation—BW-30

FULL-SCALE TEMPLATE

Typical framed, overlay, or stainless steel dual installation with filler strip at maximum 110° door opening. Panel thickness may require a 90° door stop.

Dual standard installation (top view)



Dual Flush Inset Installation—BW-30

FULL-SCALE TEMPLATE

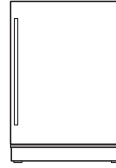
Typical flush inset dual installation with filler strip at maximum 110° door opening. Panel thickness may require a 90° door stop.

Dual flush inset installation (top view)

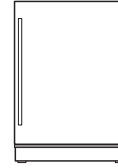
Undercounter Refrigeration

The Sub-Zero Designer Series Undercounter Refrigeration is a helpful addition to a master suite, bar, home office, or media room. Choose from an all refrigerator, combination with ice maker, beverage center or outdoor refrigerator. The design flexibility of these compact yet roomy units makes them all the more welcome in any room or outdoor kitchen. They are ready to be fitted with a custom or stainless steel panel.

DESIGNER SERIES UNDERCOUNTER MODELS



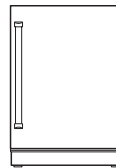
DEU2450R



DEU2450CI



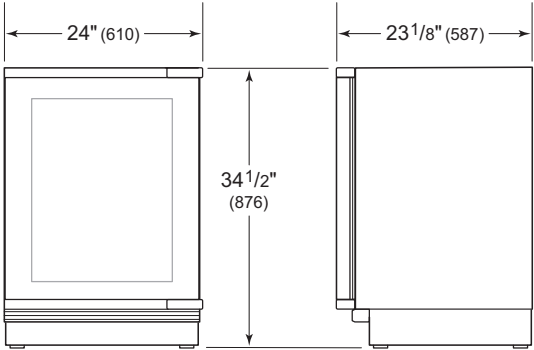
DEU2450BG



DEU2450RO

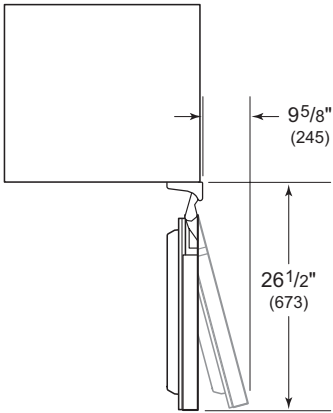
Overall Dimensions

DESIGNER SERIES UNDERCOUNTER MODELS



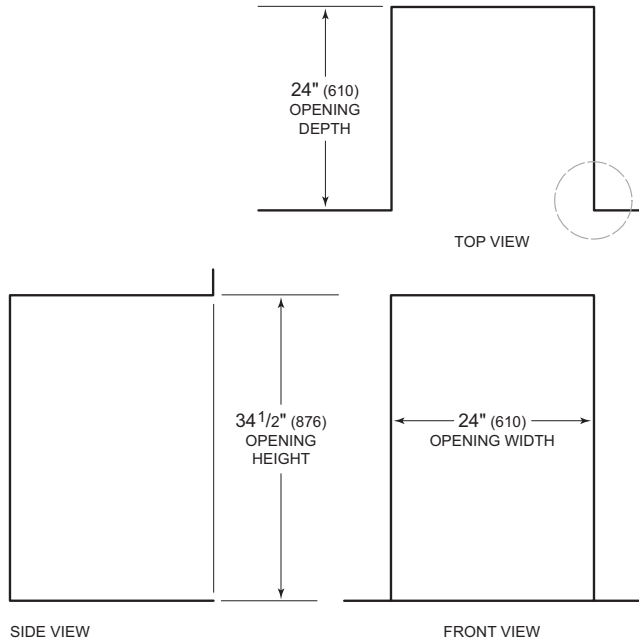
IMPORTANT NOTE: Overall dimensions do not include panels or handles. Dimensions will vary with panel thickness.

HEIGHT DIMENSIONS ± 1/2" (13)

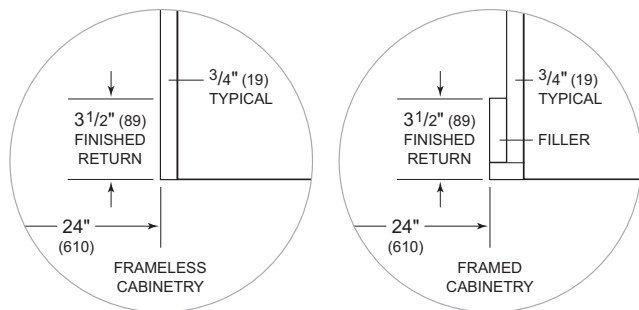


Opening Dimensions

DESIGNER SERIES UNDERCOUNTER MODELS



NOTE: 3 1/2" (89) finished returns will be visible and should be finished to match cabinetry.



The depth of each model is 23 1/8" (587). Allow for panel thickness when planning the finished opening depth. A minimum 3 1/2" (89) finished return is required on all sides of the opening. Framed cabinets require additional finished filler material behind the face frame for a proper installation. Refer to the illustration above.

DUAL INSTALLATION

If two units are installed side by side, a dual installation kit may be required. Installations without a custom filler strip require a dual installation kit. If a dual installation kit is not specified, a 2" (51) filler strip is recommended between the units. Dual installations without a filler strip can only be accomplished using two units with opposite hinges. Refer to the illustrations below.

IMPORTANT NOTE: For dual installations of a door and drawer model, the door model face frame is approximately 1/16" (2) proud of the drawer face frame. This is only apparent when the door/drawers are open at the same time. The door/drawers align when closed. The door handle must be next to the drawers.

Dual installation kits are available through an authorized Sub-Zero dealer. For local dealer information, visit the find a showroom section of our website, subzero.com. For questions regarding the installation, call Sub-Zero Customer Care at 800-222-7820.

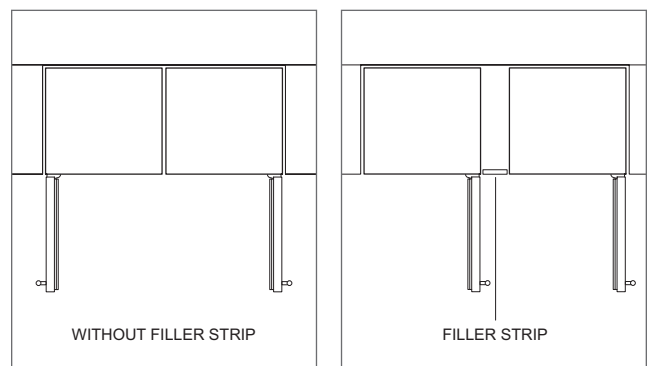
DUAL OPENING WIDTH

W

Two 24" Models

48" (1219)

Dual installation kit required.



Opposite hinges

Same side hinges

Electrical Requirements

Locate the electrical supply within the shaded area shown in the illustration below. A separate circuit servicing only this appliance is required.

IMPORTANT NOTE: For indoor models, a ground fault circuit interrupter (GFCI) is not recommended and may cause interruption of operation.

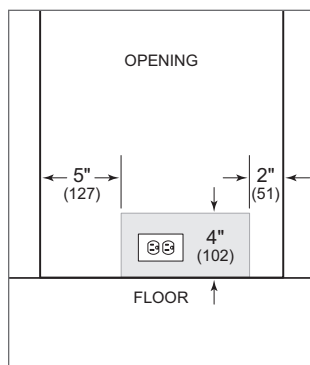
For the outdoor model, a ground fault circuit interrupter (GFCI) is required to reduce the risk of electrical shock.

The electrical outlet must be positioned with the grounding prong to the right of the thinner blades.

Installation must comply with all applicable electrical codes.

ELECTRICAL REQUIREMENTS

Electrical Supply	115 VAC, 60 Hz
Service	15 amp dedicated circuit
Receptacle	3-prong grounding-type



Electrical supply location

Plumbing Requirements

MODEL DEU2450CI

For ease of installation, recess the water shut off into the wall or place it in an adjacent cabinet. Locate the water supply line within the shaded area shown in the illustration below. Connect the water supply line to the house supply with an easily accessible shut-off valve. Do not use self-piercing valves.

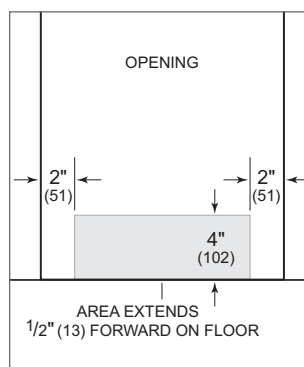
An in-line filter is required when water conditions have a high sediment content.

A reverse osmosis system can be used provided there is constant water pressure of 35–120 psi (2.4–8.3 bar) supplied to the unit at all times. A copper line is not recommended for this application.

Installation must comply with all applicable plumbing codes.

PLUMBING REQUIREMENTS

Water Supply Line	1/4" OD copper, braided stainless steel, or PEX tubing
Water Pressure	35–120 psi (2.4–8.3 bar)
Excess Water Line for Connection	5' (1.5 m)



Water supply location

Stainless Steel Panels

Stainless steel panels and handles are available through an authorized Sub-Zero dealer. For local dealer information, visit the find a showroom section of our website, subzero.com.

The depth of each model is 23 $\frac{1}{8}$ " (587). Allow for panel thickness when planning the finished opening depth.

Custom Panel

For all models, a door panel and handle must be provided. Refer to the following charts for panel requirements and dimensions.

Do not install a solid panel on the glass door unit. A solid door is available as a sales accessory through an authorized Sub-Zero dealer.

The panel cannot exceed the maximum panel weight indicated in the chart below. The depth of each model is 23 $\frac{1}{8}$ " (587). Allow for panel thickness when planning the finished opening depth.

⚠ CAUTION

As reveals between cabinetry and the unit decrease, severe finger pinching can occur while the door is closing.

Finish all sides of the custom panel. They may be visible when the door is open or through the glass of glass door models.

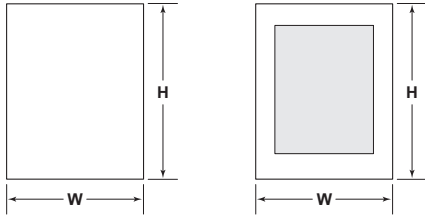
A D-style handle is recommended. Locate the door handle near the edge of the panel opposite the hinge and centered top to bottom. Stainless steel tubular and pro handles are available through an authorized Sub-Zero dealer. For local dealer information, visit the find a showroom section of our website, subzero.com.

PANEL REQUIREMENTS

Panel Weight	22 lb (10 kg) max
Panel Thickness	$\frac{5}{8}$ " (16) min – $\frac{3}{4}$ " (19) max

Custom Panel

TYPICAL PANEL DIMENSIONS



PANEL DIMENSIONS

MODEL	W	H
Undercounter Model	23 ³ / ₄ " (603)	30 ³ / ₈ " (772)

STILES / RAILS	MIN*
Stiles	3 ¹ / ₄ " (83)
Top Rail	3 ¹ / ₂ " (89)
Bottom Rail	4 ¹ / ₂ " (114)

*Glass door models only.

DUAL INSTALLATION

For dual installations, refer to the chart below for typical panel dimensions.

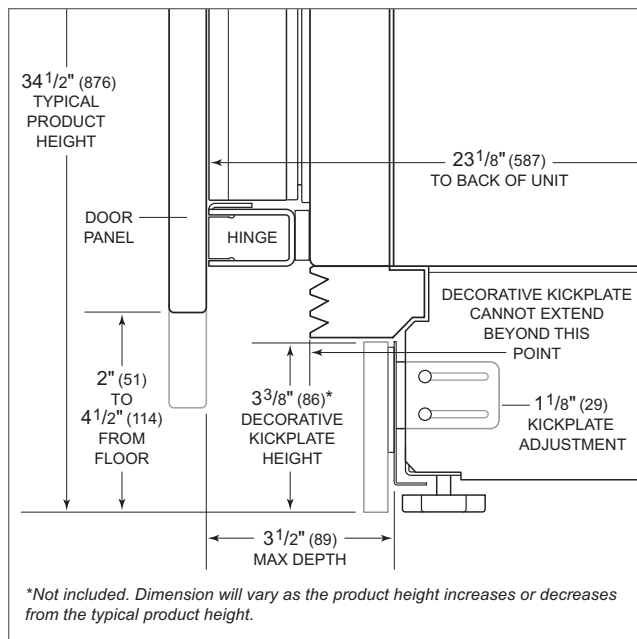
PANEL DIMENSIONS—DUAL INSTALLATION

MODEL	W	H
Undercounter Model	23 ¹³ / ₁₆ " (605)	30 ³ / ₈ " (772)

Custom Panel

TOE KICK CLEARANCE

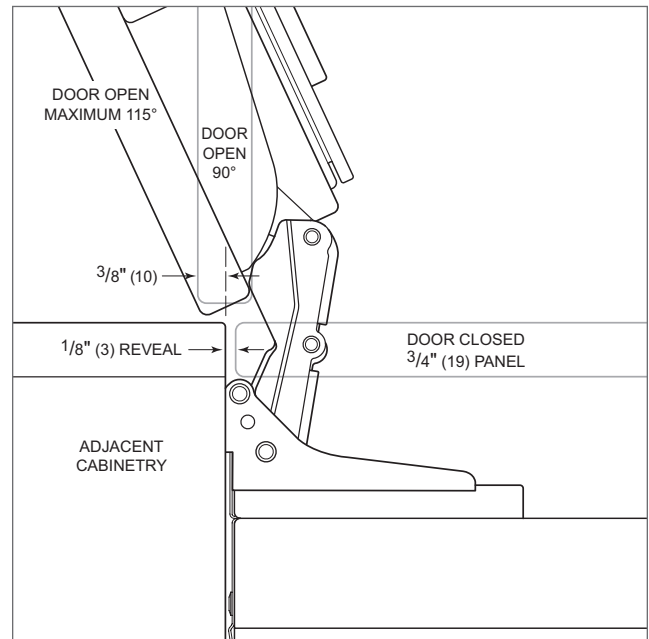
The height of the toe kick area can extend beyond the typical toe kick height, provided it does not exceed the dimensions in the illustration below. For questions regarding the installation, call Sub-Zero Customer Care at 800-222-7820.



Toe kick clearance (side view)

MAXIMUM DOOR OPENING

As the panel width and/or depth increases, so does the potential for panel interference. Interference may be minimized by using the 90° door stop.



Maximum door opening (top view)

Standard Handles

Optional stainless steel tubular and pro handles are available through an authorized Sub-Zero dealer. For local dealer information, visit the find a showroom section of our website, subzero.com.

Refer to the chart below for standard handle lengths for Designer Undercounter models.

HANDLE LENGTH	TUBULAR	PRO
24" Model	24 ³ / ₁₆ " (614)	22 ¹ / ₂ " (572)
Outdoor Model	NA	22 ¹ / ₂ " (572)

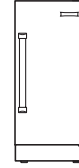
Undercounter Ice Maker

In the kitchen, bar, or media room, a Sub-Zero high-volume ice maker is a must for entertaining. The design flexibility of this compact unit allows it to fit in any room or outdoor kitchen. The indoor ice maker unit is ready to be fitted with a custom panel and handle or can be ordered with a stainless steel panel and handle.

ICE MAKER MODELS



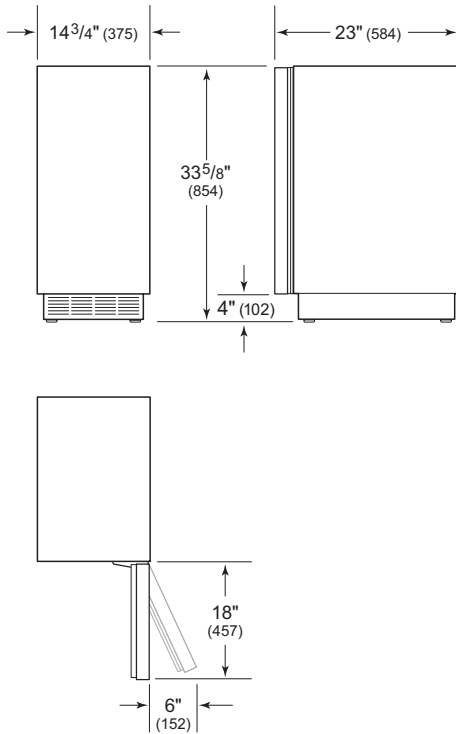
UC-15I(P)



UC-15I(P)O

Overall Dimensions

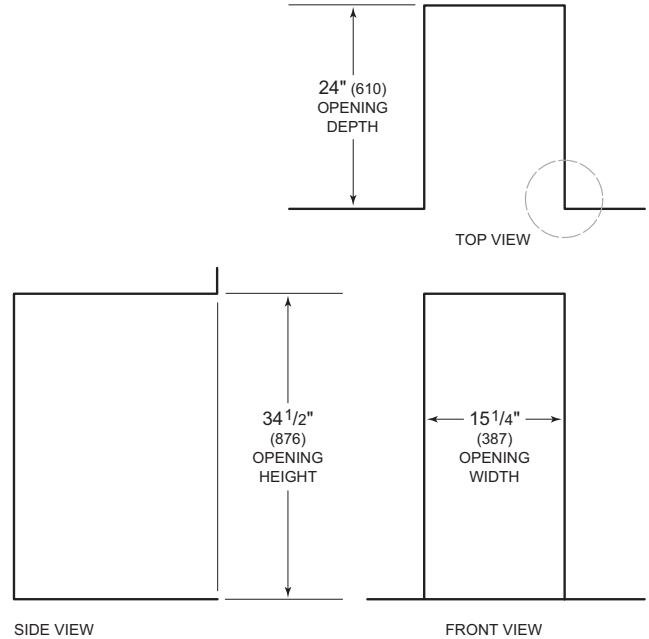
ICE MAKER



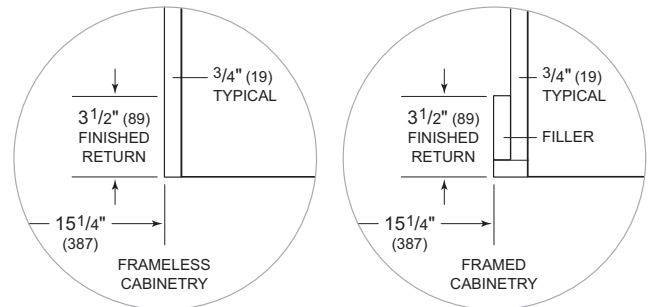
IMPORTANT NOTE: Overall dimensions do not include panels or handles. Dimensions will vary with panel thickness.

Opening Dimensions

ICE MAKER



NOTE: 3 1/2\" (89) finished returns will be visible and should be finished to match cabinetry.



The depth of the unit is 23" (584). Allow for panel thickness when planning the finished opening depth. A minimum 3 1/2" (89) finished return is required on all sides of the opening. Framed cabinets require additional finished filler material behind the face frame for a proper installation. Refer to the illustration above.

Electrical Requirements

Locate the electrical supply as shown in the illustration below. A separate circuit servicing only this appliance is required.

IMPORTANT NOTE: For indoor models, a ground fault circuit interrupter (GFCI) is not recommended and may cause interruption of operation.

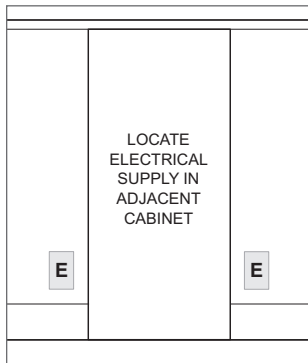
For the outdoor model, a ground fault circuit interrupter (GFCI) is required to reduce the risk of electrical shock.

The electrical outlet must be positioned with the grounding prong to the right of the thinner blades.

Installation must comply with all applicable electrical codes.

ELECTRICAL REQUIREMENTS

Electrical Supply	115 VAC, 60 Hz
Service	15 amp dedicated circuit
Receptacle	3-prong grounding-type



Electrical supply location

Plumbing Requirements

For ease of installation, recess the water shut off into the wall or place it in an adjacent cabinet. Locate the water supply as shown in the illustration below. Connect the water supply line to the house supply with an easily accessible shut-off valve. Do not use self-piercing valves. An in-line filter is required when water conditions have a high sediment content.

IMPORTANT NOTE: A reverse osmosis system can be used provided there is constant water pressure supplied to the unit at all times as indicated in the chart below. A copper line is not recommended for this application.

Installation must comply with all applicable plumbing codes.

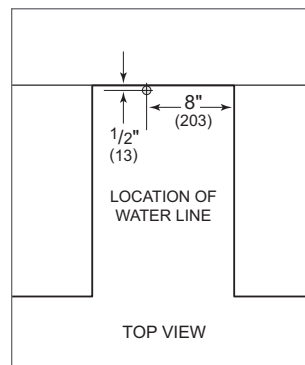
PLUMBING REQUIREMENTS

Water Supply Line	1/4" OD copper, braided stainless steel, or PEX tubing
Water Pressure	20–80 psi (1.4–5.5 bar)
Excess Water Line for Connection	3/6" (914)

ICE MAKER DRAIN

Ice maker models can be ordered with or without a drain pump. Models without a pump will drain water by gravity. A drain must be installed.

The drain and inlet water tubes must be plumbed before connecting to the ice maker. For the gravity drain, horizontal drain lines must have a 1/4" (6) per 12" (305) fall. An air gap will likely be required between the unit and drain. A stand pipe with a trap below is acceptable for the drain.



Water supply location

Stainless Steel Panel

A stainless steel panel and handle is available through an authorized Sub-Zero dealer. For local dealer information, visit the find a showroom section of our website, subzero.com.

The depth of each model is 23" (584). Allow for panel thickness when planning the finished opening depth.

Custom Panel

A door panel and handle must be provided. Refer to the charts below for panel requirements and dimensions.

The panel cannot exceed the maximum panel weight indicated in the chart below. The depth of each model is 23" (584). Allow for panel thickness when planning the finished opening depth.

⚠ CAUTION

As reveals between cabinetry and the unit decrease, severe finger pinching can occur while the door is closing.

Finish all sides of the custom panel. They may be visible when the door is open. A D-style handle is recommended. Locate the door handle near the edge of the panel opposite the hinge and centered top to bottom.

PANEL REQUIREMENTS

Panel Weight	15 lb (7 kg) max
Panel Thickness	5/8" (16) min – 3/4" (19) max

PANEL DIMENSIONS

	W	H
Ice Maker	15" (381)	30 3/8" (772)

Standard Handles

Optional stainless steel tubular and pro handles are available through an authorized Sub-Zero dealer. For local dealer information, visit the find a showroom section of our website, subzero.com. Refer to the chart below for standard handle lengths.

HANDLE LENGTH	TUBULAR	PRO
Ice Maker	24 1/4" (616)	22 1/2" (572)

Sub-Zero Residential Limited Warranty

FOR RESIDENTIAL USE

FULL TWO YEAR WARRANTY*

For two years from the date of original installation, this Sub-Zero product warranty covers all parts and labor to repair or replace, under normal residential use, any part of the product that proves to be defective in materials or workmanship. All service provided by Sub-Zero under the above warranty must be performed by Sub-Zero Factory Certified Service, unless otherwise specified by Sub-Zero, Inc. Service will be provided during normal business hours.

FULL FIVE YEAR SEALED SYSTEM WARRANTY

For five years from the date of original installation, this Sub-Zero product warranty covers all parts and labor to repair or replace, under normal residential use, these parts that prove to be defective in materials or workmanship: compressor, condenser, evaporator, drier and all connecting tubing. All service provided by Sub-Zero under the above warranty must be performed by Sub-Zero Factory Certified Service, unless otherwise specified by Sub-Zero, Inc. Service will be provided during normal business hours.

LIMITED TWELVE YEAR SEALED SYSTEM WARRANTY

For twelve years from the date of original installation, Sub-Zero will repair or replace the following parts that prove to be defective in materials or workmanship: compressor, condenser, evaporator, drier and all connecting tubing. If the owner uses Sub-Zero Factory Certified Service, the service provider will repair or replace these parts with the owner paying for all other costs, including labor. If the owner uses non-certified service, the owner must contact Sub-Zero, Inc. (using the information below) to receive repaired or replacement parts. Sub-Zero will not reimburse the owner for parts purchased from non-certified service or other sources.

TERMS APPLICABLE TO EACH WARRANTY

The warranty applies only to products installed for normal residential use. The warranty applies only to products installed in any one of the fifty states of the United States, the District of Columbia or the ten provinces of Canada. This warranty does not cover any parts or labor to correct any defect caused by negligence, accident or improper use, maintenance, installation, service or repair.

THE REMEDIES DESCRIBED ABOVE FOR EACH WARRANTY ARE THE ONLY ONES THAT SUB-ZERO, INC. WILL PROVIDE, EITHER UNDER THIS WARRANTY OR UNDER ANY WARRANTY ARISING BY OPERATION OF LAW. SUB-ZERO, INC. WILL NOT BE RESPONSIBLE FOR ANY CONSEQUENTIAL OR INCIDENTAL DAMAGES ARISING FROM THE BREACH OF THIS WARRANTY OR ANY OTHER WARRANTY, WHETHER EXPRESS, IMPLIED OR STATUTORY.

Some states do not allow the exclusion or limitation of incidental or consequential damages, so the above limitation or exclusion may not apply to you. This warranty gives you specific legal rights and you may also have other legal rights that vary from state to state.

To receive parts and/or service and the name of Sub-Zero Factory Certified Service nearest you, contact Sub-Zero, Inc., P.O. Box 44848, Madison, WI 53744; check the Product Support section of our website, subzero.com, email us at customerservice@subzero.com, or call 800-222-7820.

*Stainless steel (doors, panels, handles, product frames and interior surfaces) are covered by a limited 60-day parts and labor warranty for cosmetic defects.

*Replacement water filters and air purification cartridges are not covered by the product warranty.



Sub-Zero Outdoor Limited Warranty*

FOR RESIDENTIAL USE

FULL ONE YEAR WARRANTY**

For one year from the date of original installation, this Sub-Zero product warranty covers all parts and labor to repair or replace, under normal residential use, any part of the product that proves to be defective in materials or workmanship. All service provided by Sub-Zero under the above warranty must be performed by Sub-Zero Factory Certified Service, unless otherwise specified by Sub-Zero, Inc. Service will be provided during normal business hours.

FULL FIVE YEAR SEALED SYSTEM WARRANTY

For five years from the date of original installation, this Sub-Zero product warranty covers all parts and labor to repair or replace, under normal residential use, these parts that prove to be defective in materials or workmanship: compressor, condenser, evaporator, drier and all connecting tubing. All service provided by Sub-Zero under the above warranty must be performed by Sub-Zero Factory Certified Service, unless otherwise specified by Sub-Zero, Inc. Service will be provided during normal business hours.

TERMS APPLICABLE TO EACH WARRANTY

The warranty applies only to products installed for normal residential use. The warranty applies only to products installed in any one of the fifty states of the United States, the District of Columbia or the ten provinces of Canada. This warranty does not cover any parts or labor to correct any defect caused by negligence, accident or improper use, maintenance, installation, service or repair.

THE REMEDIES DESCRIBED ABOVE FOR EACH WARRANTY ARE THE ONLY ONES THAT SUB-ZERO, INC. WILL PROVIDE, EITHER UNDER THIS WARRANTY OR UNDER ANY WARRANTY ARISING BY OPERATION OF LAW. SUB-ZERO, INC. WILL NOT BE RESPONSIBLE FOR ANY CONSEQUENTIAL OR INCIDENTAL DAMAGES ARISING FROM THE BREACH OF THIS WARRANTY OR ANY OTHER WARRANTY, WHETHER EXPRESS, IMPLIED OR STATUTORY.

Some states do not allow the exclusion or limitation of incidental or consequential damages, so the above limitation or exclusion may not apply to you. This warranty gives you specific legal rights and you may also have other legal rights that vary from state to state.

To receive parts and/or service and the name of Sub-Zero Factory Certified Service nearest you, contact Sub-Zero, Inc., P.O. Box 44848, Madison, WI 53744; check the Product Support section of our website, subzero.com, email us at customerservice@subzero.com, or call 800-222-7820.

*Product must be approved for outdoor use, designated by model and serial number.

**Stainless steel (doors, panels, handles, product frames and interior surfaces) are covered by a limited 60-day parts and labor warranty for cosmetic defects.

**Replacement water filters are not covered by the product warranty.





SUBZERO.COM