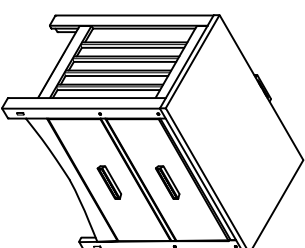
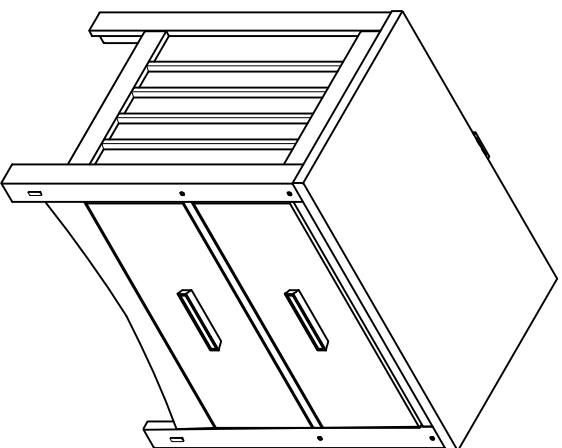


<b>⚠ WARNING</b>	
	
<p><b>Children have died from furniture tipover. To reduce the risk of furniture tipover:</b></p> <ul style="list-style-type: none"> <li>• ALWAYS install tipover restraint provided.</li> <li>• NEVER put a TV on this product.</li> <li>• NEVER allow children to stand, climb or hang on drawers, doors, or shelves.</li> <li>• NEVER open more than one drawer at a time.</li> <li>• Place heaviest items in the lowest drawers.</li> </ul> <p><i>This is a permanent label. Do not remove!</i></p>	



- A**
- x1 Nightstand
  - x1 Table de chevet
  - x1 Mesa de noche



- B**
- x1 Furniture Tipping Restraint
  - x1 Système antiscoulement
  - x1 Control para evitar vuelcos

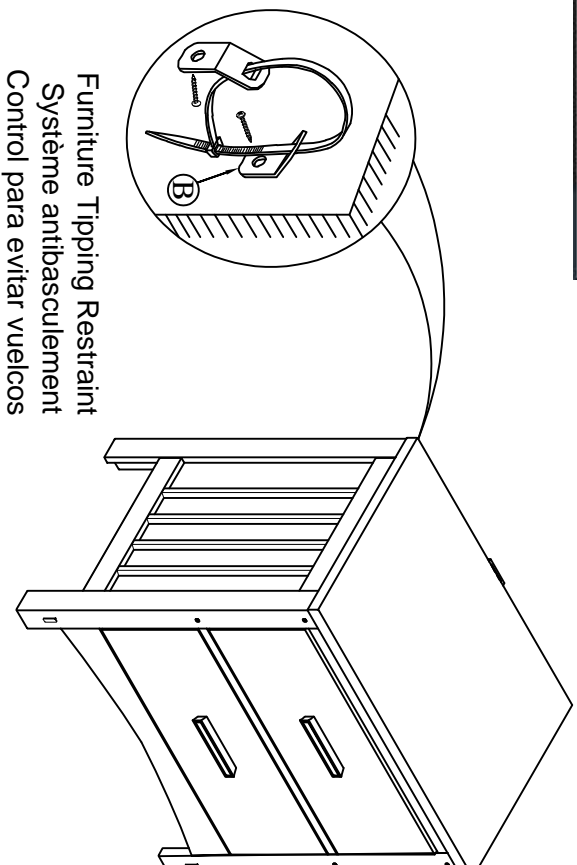
**\*Replaceable Part**

## **⚠ WARNING**

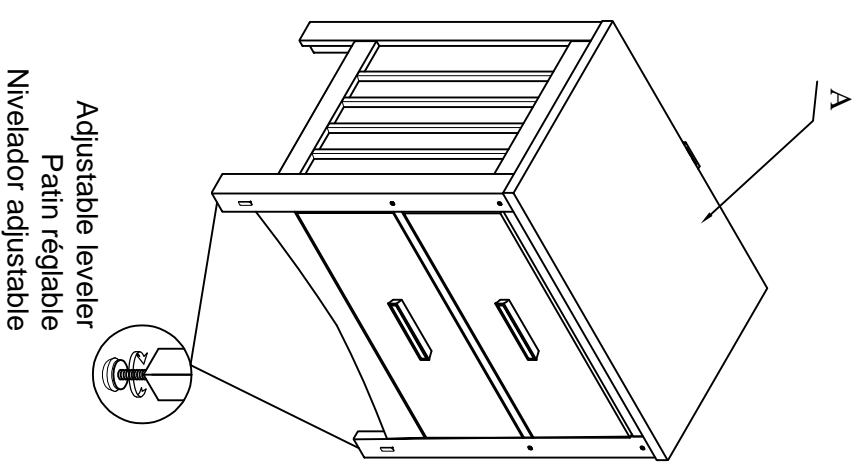
Children have died from furniture tipover. To reduce the risk of furniture tipover:

- ALWAYS install tipover restraint provided.
- NEVER put a TV on this product.
- NEVER allow children to stand, climb or hang on drawers, doors, or shelves.
- NEVER open more than one drawer at a time.
- Place heaviest items in the lowest drawers.

*This is a permanent label.  
Do not remove!*



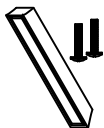
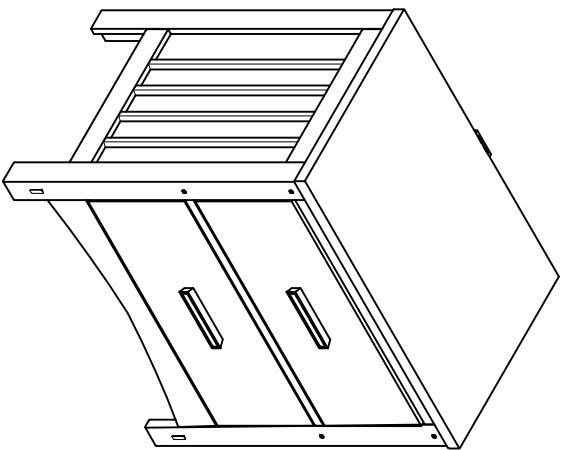
Furniture Tipping Restraint  
Système antibasculement  
Control para evitar vuelcos



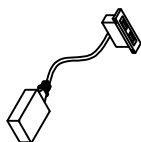
Adjustable leveler  
Patin réglable  
Nivelador ajustable

\*Replaceable Part

<b>⚠ WARNING</b>		<p><b>Children have died from furniture tipover. To reduce the risk of furniture tipover:</b></p> <ul style="list-style-type: none"> <li>• ALWAYS install tipover restraint provided.</li> <li>• NEVER put a TV on this product.</li> <li>• NEVER allow children to stand, climb or hang on drawers, doors, or shelves.</li> <li>• NEVER open more than one drawer at a time.</li> <li>• Place heaviest items in the lowest drawers.</li> </ul> <p><i>This is a permanent label. Do not remove!</i></p>
		



x2 RS917-010-PULL-Long Pull + with Screw  
 Tirer + Vis  
 Tira + Tornillo \*



x1 RS917-050-USB- USB ports  
 Prises USB  
 Conectores USB \*



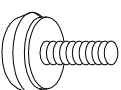
x1 RC-ANT-TIP-Furniture Tipping Restraint  
 Système antibasculement  
 Control para evitar vuelcos \*



x2 COMGLIDE-10-45 - Drawer Glide  
 Glissière  
 Deslizamiento del cajón \*



x2 RC-BR-NAIL- Brown Plastic nail  
 clou en plastique  
 clavo de plástico \*



x2 RC-FG-BROWN- Brown leveler  
 Niveladora marrón  
 Niveleur marron \*

**\* Replaceable Part**

## **Protect Your Wood or Laminate Flooring**

\*This statement applies to any floor without carpet.

If not careful, all furniture including upholstery and case pieces can scratch, scuff and even gouge floors. The recommendation is to have felt, rubber pads or area rugs under furniture on flooring without carpet.

### **Moving your furniture**

Pushing and dragging furniture over floors without carpet can lead to scratches and scuffs. Have someone help when moving the larger pieces of furniture by lifting, try using a dolly or moving pads.

### **Felt and rubber pads**

Applying furniture pads to the feet of furniture helps cushion contact points. Furniture pads can be found at local hardware stores. Felt pads slide easily across the floor, making them ideal for dining chairs and other pieces that move with use. Rubber pads will help furniture stay in place and are perfect for larger pieces, like sofas and loveseats.

### **Area rugs and rug pads**

Using an area rug under furniture is another way to protect your floor from scratches and scuff marks. A rug pad under the area rug will provide extra cushion and added protection.

*\*Replaceable Part*

⚠ WARNING

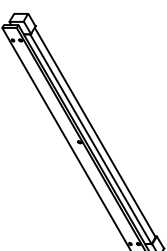
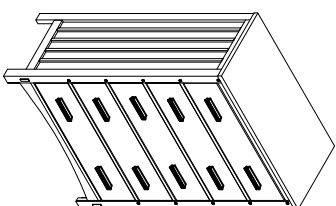
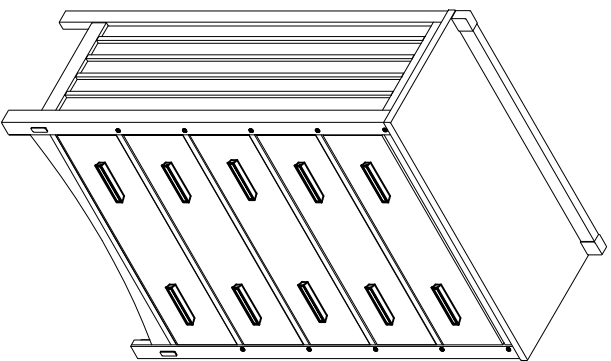




**Children have died from furniture tipover. To reduce the risk of furniture tipover:**

- ALWAYS install tipover restraint provided.
- NEVER put a TV on this product.
- NEVER allow children to stand, climb or hang on drawers, doors, or shelves.
- NEVER open more than one drawer at a time.
- Place heaviest items in the lowest drawers.

*This is a permanent label. Do not remove!*



**A**

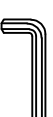
- x1 Chest
- x1 Commode
- x1 Cómoda

**B**

- x1 Decorative Gallery Rail
- x1 Rail de galerie décoratif
- x1 Riel de galería decorativo

**C**

- x1 Furniture Tipping Restraint
- x1 Système antibascullement
- x1 Control para evitar vuelcos



**1**

- x2 Allen bolt Ø1/4"×30mm
- x2 Vis à tête creuse hexagonale Ø1/4"×30mm
- x2 Perno Allen Ø1/4"×30mm

**2**

- x2 Lock washer Ø1/4"×11"1,5mm
- x2 Rondelle de blocage Ø1/4"×11"1,5mm
- x2 Arandela de Seguridad Ø1/4"×11"1,5mm

**3**

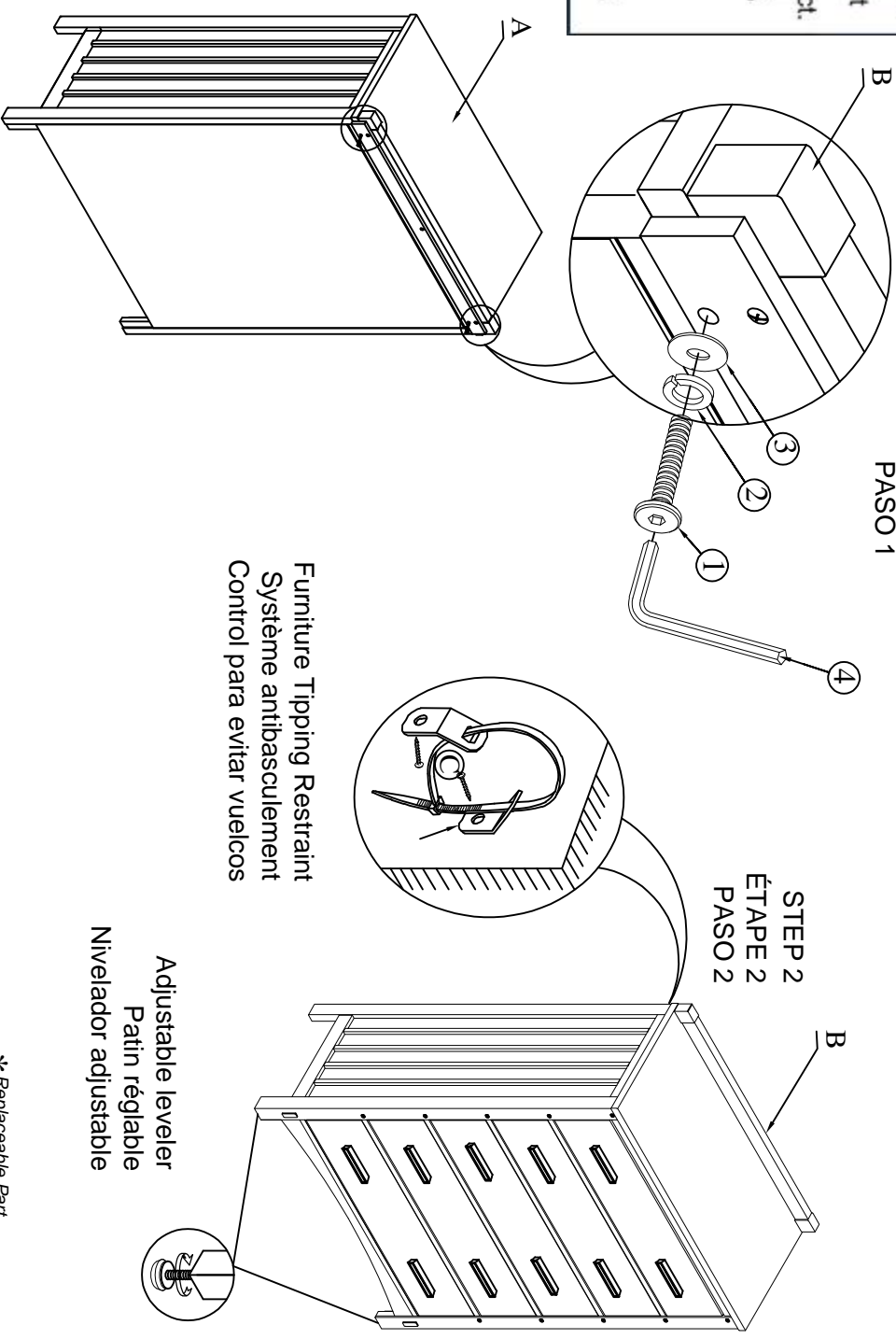
- x2 Flat Washer Ø1/4"×19"1,5mm
- x2 Rondelle Plate Ø1/4"×19"1,5mm
- x2 Arandela Plana Ø1/4"×19"1,5mm

**4**

- x1 Allen key M4
- x1 Clé hexagonale
- x1 Llave Allen

**\*Replaceable Part**

<b>⚠ WARNING</b>	<p><b>Children have died from furniture tipover. To reduce the risk of furniture tipover:</b></p> <ul style="list-style-type: none"> <li>• ALWAYS install tipover restraint provided.</li> <li>• NEVER put a TV on this product.</li> <li>• NEVER allow children to stand, climb or hang on drawers, doors, or shelves.</li> <li>• NEVER open more than one drawer at a time.</li> <li>• Place heaviest items in the lowest drawers.</li> </ul> <p><i>This is a permanent label. Do not remove!</i></p>
	



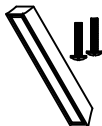
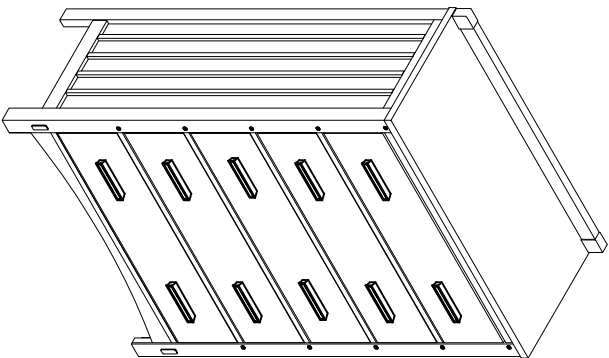
▲ WARNING




**Children have died from furniture tipover. To reduce the risk of furniture tipover:**

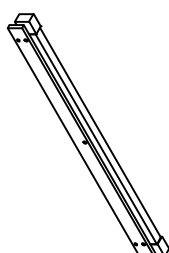
- ALWAYS install tipover restraint provided.
- NEVER put a TV on this product.
- NEVER allow children to stand, climb or hang on drawers, doors, or shelves.
- NEVER open more than one drawer at a time.
- Place heaviest items in the lowest drawers.

*This is a permanent label. Do not remove!*



x10 RS917-010-PULL-Long Pull + with Screw  
 Tirer + Vis  
 Tira + Tornillo

\*



x1 RS917-040-RAIL-Decorative Gallery Rail  
 Rail de galerie décoratif  
 Riel de galería decorativo

\*



x1 RS917-040-HWKT Hardware kit list  
 Liste des pièces de quincaillerie  
 Lista del kit de materiales

\*



x1 RC-ANTI-TIP-Furniture Tipping Restraint  
 Système antibasculément  
 Control para evitar vuelcos

\*



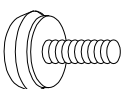
x5 COMGLIDE10-45 - Drawer Glide  
 Glissière  
 Deslizamiento del cajón

\*



x2 RC-BR-NAIL- Brown Plastic nail  
 clou en plastique  
 clavo de plástico

\*



x2 RC-FG-BROWN Brown leveler  
 Niveladora marron  
 Nivelador marron

\*

**\* Replaceable Part**

## **Protect Your Wood or Laminate Flooring**

\*This statement applies to any floor without carpet.

If not careful, all furniture including upholstery and case pieces can scratch, scuff and even gouge floors. The recommendation is to have felt, rubber pads or area rugs under furniture on flooring without carpet.

### **Moving your furniture**

Pushing and dragging furniture over floors without carpet can lead to scratches and scuffs. Have someone help when moving the larger pieces of furniture by lifting, try using a dolly or moving pads.

### **Felt and rubber pads**

Applying furniture pads to the feet of furniture helps cushion contact points. Furniture pads can be found at local hardware stores. Felt pads slide easily across the floor, making them ideal for dining chairs and other pieces that move with use. Rubber pads will help furniture stay in place and are perfect for larger pieces, like sofas and loveseats.

### **Area rugs and rug pads**

Using an area rug under furniture is another way to protect your floor from scratches and scuff marks. A rug pad under the area rug will provide extra cushion and added protection.

*\*Replaceable Part*



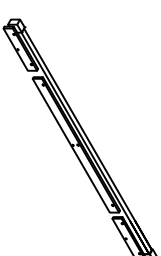
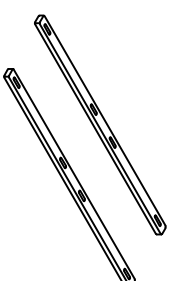
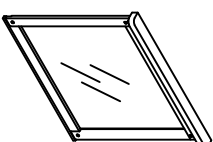
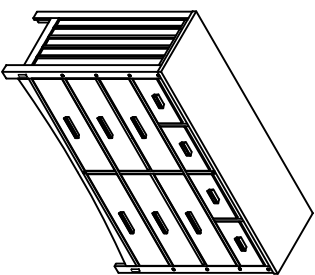
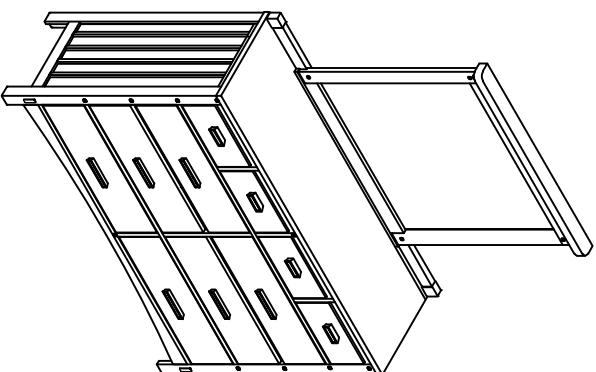
**⚠ WARNING**




**Children have died from furniture tipover. To reduce the risk of furniture tipover:**

- ALWAYS install tipover restraint provided.
- NEVER put a TV on this product.
- NEVER allow children to stand, climb or hang on drawers, doors, or shelves.
- NEVER open more than one drawer at a time.
- Place heaviest items in the lowest drawers.

*This is a permanent label. Do not remove!*



- A**
- x1 Dresser
  - x1 Commode
  - x1 Tocador

- B**
- x1 Mirror
  - x1 Miroir
  - x1 Espejo

- C**
- x2 Mirror Support \*
  - x2 Prise en charge du miroir
  - x2 Soporte de espejo

- D**
- x1 Decorative Gallery Rail \*
  - x1 Rail de galerie décoratif
  - x1 Riel de galería decorativo



**E**

**1**

**2**

- x1 Furniture Tipping Restraint \*
- x1 Système an tîbascullement
- x1 Control para evitar vuelcos

- x3 Allen bolt Ø1/4"×30mm \*
- x3 Vis à tête creuse hexagonale Ø1/4"×30mm
- x3 Perno Allen Ø1/4"×30mm

- x8 Allen bolt Ø1/4"×38mm \*
- x8 Vis à tête creuse hexagonale Ø1/4"×38mm
- x8 Perno Allen Ø1/4"×38mm



**3**

**4**

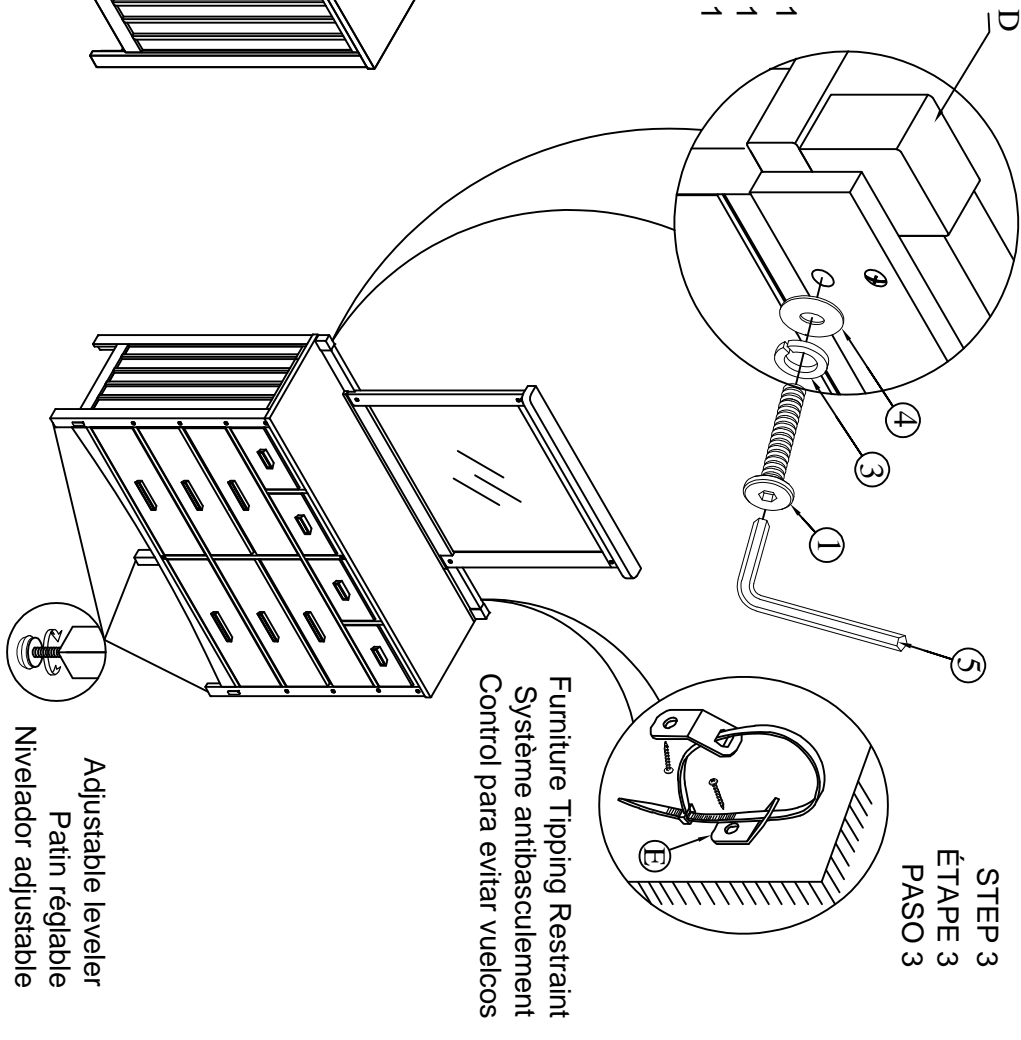
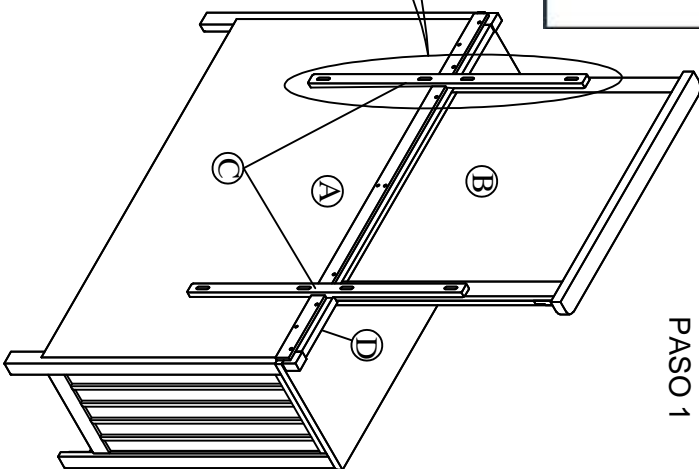
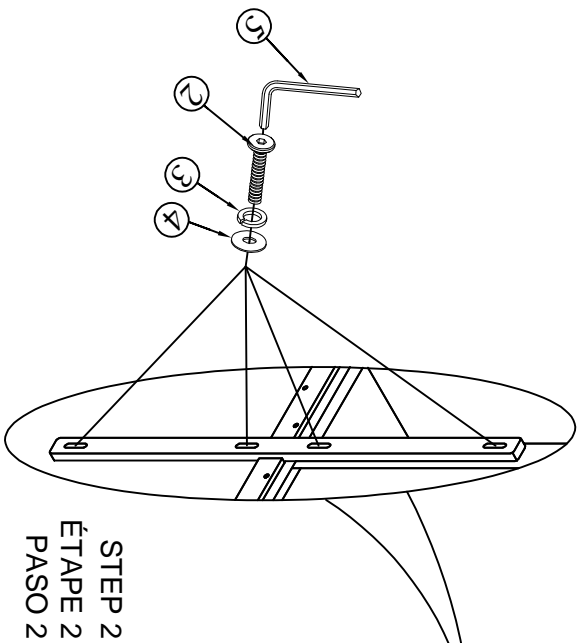
**5**

- x11 Lock washer Ø1/4"×11×1.5mm \*
- x11 Rondelle de blocage Ø1/4"×11×1.5mm
- x11 Arandela de Seguridad Ø1/4"×11×1.5mm

- x11 Flat washer Ø1/4"×19×1.5mm \*
- x11 Rondelle plate Ø1/4"×19×1.5mm
- x11 Arandela plana Ø1/4"×19×1.5mm
- x1 Allen key M4 \*
- x1 Clé hexagonale
- x1 Llave Allen

\* Replaceable Part

<b>▲ WARNING</b>	
	
<p>Children have died from furniture tipover. To reduce the risk of furniture tipover:</p> <ul style="list-style-type: none"> <li>• ALWAYS install tipover restraint provided.</li> <li>• NEVER put a TV on this product.</li> <li>• NEVER allow children to stand, climb or hang on drawers, doors, or shelves.</li> <li>• NEVER open more than one drawer at a time.</li> <li>• Place heaviest items in the lowest drawers.</li> </ul> <p><i>This is a permanent label. Do not remove!</i></p>	



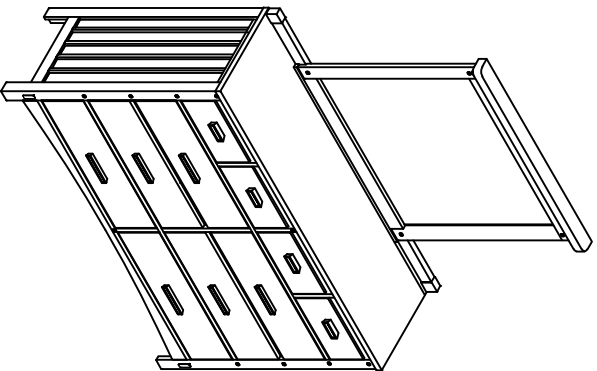
⚠ **WARNING**

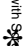

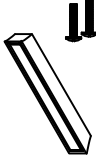


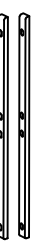
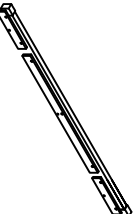
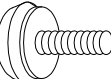


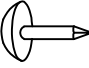



**Children have died from furniture tipover. To reduce the risk of furniture tipover:**

- ALWAYS install tipover restraint provided.
- NEVER put a TV on this product.
- NEVER allow children to stand, climb or hang on drawers, doors, or shelves.
- NEVER open more than one drawer at a time.
- Place heaviest items in the lowest drawers.

*This is a permanent label. Do not remove!*



- |  |  |  |   |   |
|--|--|--|---|---|
| <p>x4 RS917-010-PULL-S-Short Pull + with w<br/>Tira + Vis<br/>Tira + Tornillo</p>  | <p>x6 RS917-010-PULL-L-Long Pull + with Screw<br/>Tira + Vis<br/>Tira + Tornillo</p>  | <p>x1 RS917-010-HMWKT-Hardware Kit list<br/>Lista des pièces de quincailleries<br/>Lista del kit de materiales</p>  | <p>x1 RC-ANTI-TIP-Furniture Tipping Restraint<br/>Sistema antibasculamiento<br/>Control para evitar vuelcos</p>  | <p>x2 RS917-030-MISU -Mirror Support<br/>Soporte de mirror<br/>Soporte del espejo</p>  |
| <p>x1 RS917-010-RAIL-Decorative Gallery Rail<br/>Riel de galería decoratif<br/>Riel de galería decorativo</p>   | <p>x3 RC-FG-BROWN Brown leveler<br/>Niveladora marron<br/>Niveleur marron</p>           | <p>x1 RS917-030-HMWKT-Hardware kit list<br/>Lista des pièces de quincailleries<br/>Lista del kit de materiales</p>  | <p>x10 COMGLIDE-10-45 - Drawer Glide<br/>Glisère<br/>Deslizamiento del cajón</p>                                 | <p>x2 RC-BR-NAIL - Brown Plastic nail<br/>clou en plastique<br/>clavo de plástico</p>  |

**\*Replaceable Part**

## **Protect Your Wood or Laminate Flooring**

\*This statement applies to any floor without carpet.

If not careful, all furniture including upholstery and case pieces can scratch, scuff and even gouge floors. The recommendation is to have felt, rubber pads or area rugs under furniture on flooring without carpet.

### **Moving your furniture**

Pushing and dragging furniture over floors without carpet can lead to scratches and scuffs. Have someone help when moving the larger pieces of furniture by lifting, try using a dolly or moving pads.

### **Felt and rubber pads**

Applying furniture pads to the feet of furniture helps cushion contact points. Furniture pads can be found at local hardware stores. Felt pads slide easily across the floor, making them ideal for dining chairs and other pieces that move with use. Rubber pads will help furniture stay in place and are perfect for larger pieces, like sofas and loveseats.

### **Area rugs and rug pads**

Using an area rug under furniture is another way to protect your floor from scratches and scuff marks. A rug pad under the area rug will provide extra cushion and added protection.

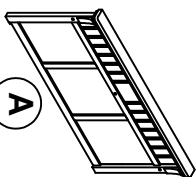
*\*Replaceable Part*

**PARTS LIST / LISTE DES PIÈCES / LISTA DE PIEZA**  
ITEM / NO D'ARTICLE / ARTICULO.: S917-270/271/400  
Description/ La Description /Descripción :

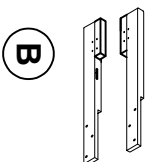
Headboard / Tête de lit / Cabecera

Footboard / Pied de lit / Pie de cama

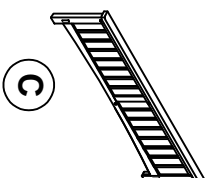
Side Rails / Côtés de lit / Largueros laterales



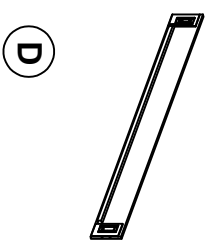
x1 Headboard  
x1 Tête de lit  
x1 Cabecera



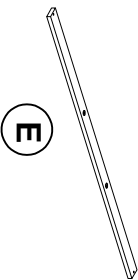
x2 Headboard Legs (Left & Right) \*  
x2 Pattes de la tête de lit (gauche et droite)  
x2 Patas de cabecera (izquierda y derecha)



x1 Footboard  
x1 Pied de lit  
x1 Pie de cama



x2 Side Rails  
x2 Côtés de lit  
x2 Largueros laterales



x5 Slats \*  
x5 Lattes  
x5 Listones



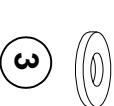
x10 Support Legs \*  
x10 Pattes de support  
x10 Patas de soporte



x6 Allen bolt Ø5/16" \* 2" \*  
x6 Vis à tête creuse hexagonale Ø5/16 \* 2"  
x6 Perno Allen Ø5/16 \* 2"



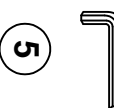
x14 Lock washer Ø5/16" \* 13\*2mm \*  
x14 Rondelle de blocage Ø5/16" \* 13\*2mm  
x14 Arandela de Seguridad Ø5/16" \* 13\*2mm



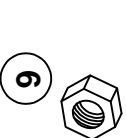
x14 Flat washer Ø5/16" \* 19\*2mm \*  
x14 Rondelle plate Ø5/16" \* 19\*2mm  
x14 Arandela plana Ø5/16" \* 19\*2mm



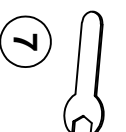
x8 Hanger bolt Ø5/16" \* 3-1/2" \*  
x8 Boulon-vis Ø5/16" \* 3-1/2"  
x8 Perno de suspensión Ø5/16" \* 3-1/2"



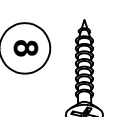
x1 Allen key M4 \*  
x1 Clé hexagonale  
x1 Llave Allen



x8 Hex nut 12\*12\*6mm \*  
x8 Écrou hexagonal 12\*12\*6mm  
x8 Tuerca hexagona 2\*12\*6mm

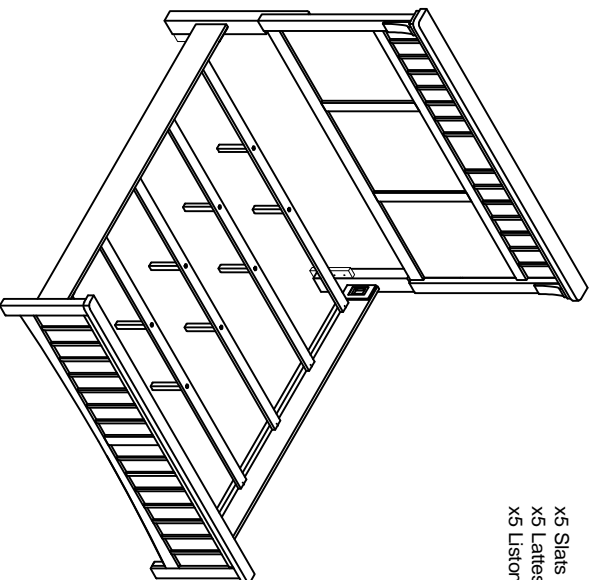


x1 Open wrench 12mm \*  
x1 Clé à fourche 12mm  
x1 Llave de boca 12mm



x10 Wood Screw #8\*30mm \*  
x10 Vis à bois #8\*30mm  
x10 Tornillo para madera #8\*30mm

\* Replaceable Part

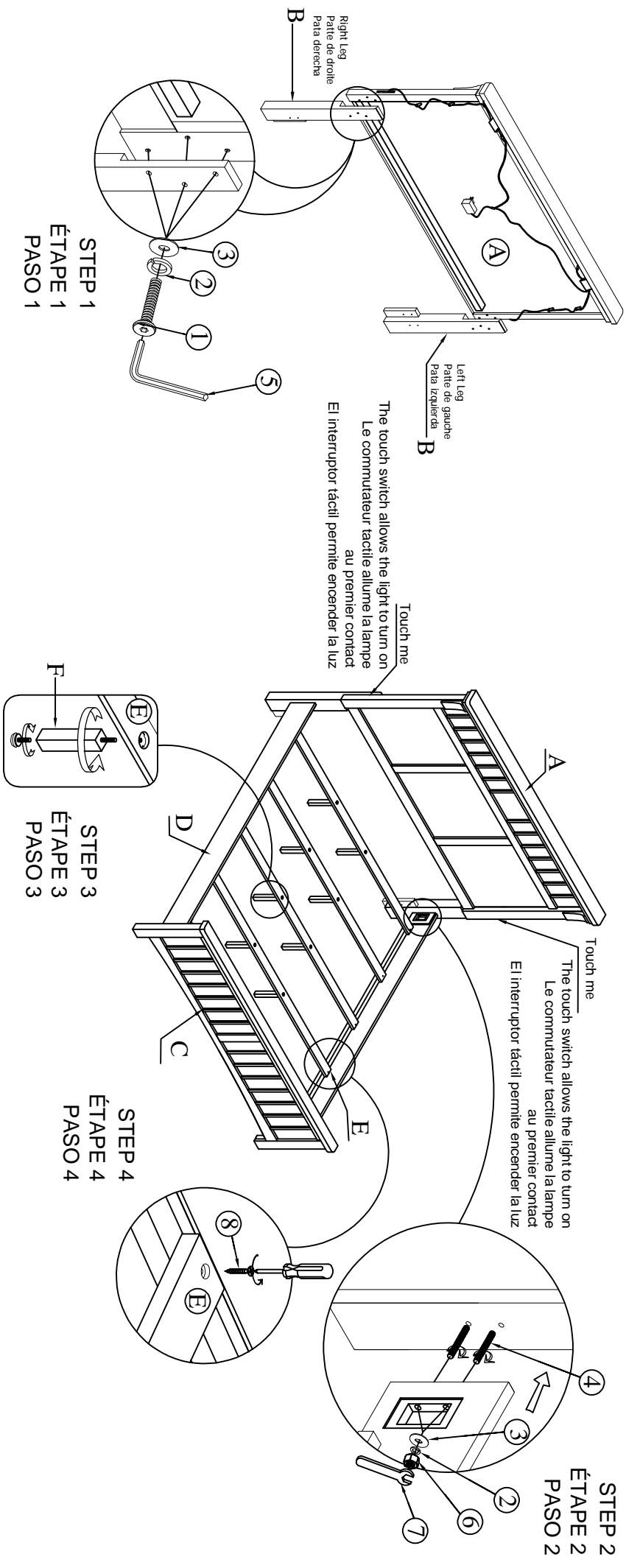


**ASSEMBLY INSTRUCTION / NOTICE DE MONTAGE / INSTRUCCIONES DE MONTAJE**  
**ITEM / NO D'ARTICLE / ARTICULO.:** S917-270/271/400

**Description/ La Description /Descripción :** Headboard / Tête de lit / Cabecera

Footboard / Pied de lit / Pie de cama

Side Rails / Côtés de lit / Largueros laterales



**REPLACEABLE PART / PARTIE REMPLACABLE / PARTE REEMPLAZABLE**  
**ITEM / NO D'ARTICLE / ARTICULO .:** S917-270/271/400

**Description/ La Description /Descripción :** Headboard / Tête de lit / Cabecera  
 Footboard / Pied de lit / Pie de cama  
 Side Rails / Côtés de lit / Largueros laterales



x1 RS917-270-LEGR-Right Leg  
 Pattee de droite  
 Pata derecha

\*



x1 RS917-270-LEGL-Left Leg  
 Pattee de gauche  
 Pata izquierda

\*



x1 RS917-270-HWKIT-Hardware kit list  
 Liste des pièces de quincailleries  
 Lista del kit de materiales

\*



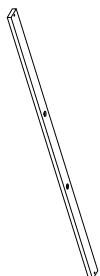
x10 RS917-271-SCREW-Wood Screw  
 Vis à bois  
 Tornillo para madera

\*



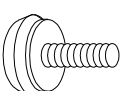
x10 RS917-271-SULEG-Support Leg  
 Pates de supports  
 Patas de apoyo de listones

\*



x5 RS917-271-SLAT- Slat  
 Lattes  
 Listones

\*



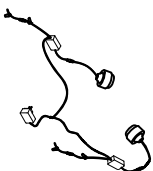
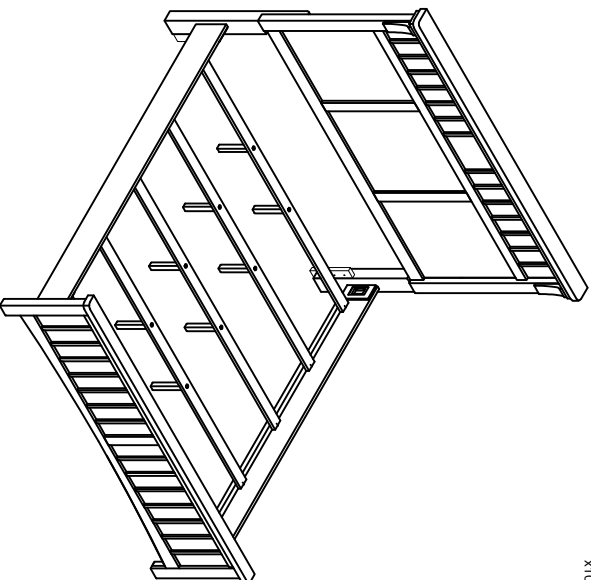
x10 RC-FG-BROWN Brown leveler  
 Niveladora marron  
 Nivelador marron

\*



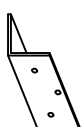
x1 RS917-400-HWKIT-Hardware kit list  
 Liste des pièces de quincailleries  
 Lista del kit de materiales

\*



x1 RS917-270-LIGHT SET  
 JEU DE LUMIÈRES  
 JUEGO DE LUCES

\*



x2 RS7917-270-TOUCH- Touch L meta  
 Touche  
 Toque

\*



x4 RC-WH-NAIL- White Plastic nail  
 clou en plastique  
 Clavo de plástico

\*

**\*Replaceable Part**

## **Protect Your Wood or Laminate Flooring**

\*This statement applies to any floor without carpet.

If not careful, all furniture including upholstery and case pieces can scratch, scuff and even gouge floors. The recommendation is to have felt, rubber pads or area rugs under furniture on flooring without carpet.

### **Moving your furniture**

Pushing and dragging furniture over floors without carpet can lead to scratches and scuffs. Have someone help when moving the larger pieces of furniture by lifting, try using a dolly or moving pads.

### **Felt and rubber pads**

Applying furniture pads to the feet of furniture helps cushion contact points. Furniture pads can be found at local hardware stores. Felt pads slide easily across the floor, making them ideal for dining chairs and other pieces that move with use. Rubber pads will help furniture stay in place and are perfect for larger pieces, like sofas and loveseats.

### **Area rugs and rug pads**

Using an area rug under furniture is another way to protect your floor from scratches and scuff marks. A rug pad under the area rug will provide extra cushion and added protection.

*\*Replaceable Part*

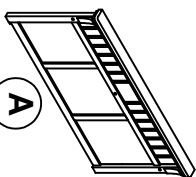


**PARTS LIST / LISTE DES PIÈCES / LISTA DE PIEZA**  
ITEM / NO D'ARTICLE / ARTICULO.: S917-250/251/400  
Description/ La Description /Descripción :

Headboard / Tête de lit / Cabecera

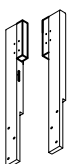
Footboard / Pied de lit / Pie de cama

Side Rails/ Côtés de lit / Largueros laterales



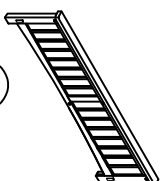
x1 Headboard  
x1 Tête de lit  
x1 Cabecera

(A)



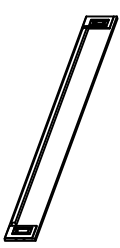
x2 Headboard Legs (Left & Right) \*  
x2 Pattes de la tête de lit (gauche et droite)  
x2 Patas de cabecera (izquierda y derecha)

(B)



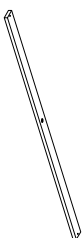
x1 Footboard  
x1 Pied de lit  
x1 Pie de cama

(C)



x2 Side Rails  
x2 Côtés de lit  
x2 Largueros laterales

(D)



x5 Slats \*  
x5 Lattes  
x5 Listones

(E)



x5 Support Legs \*  
x5 Pattes de support  
x5 Patas de soporte

(F)



x6 Allen bolt Ø5/16" \* 2" \*  
x6 Vis à tête creuse hexagonale Ø5/16" \* 2"  
x6 Perno Allen Ø5/16" \* 2"

(1)



x14 Lock washer Ø5/16" \* 13\*2mm \*  
x14 Rondelle de blocage Ø5/16" \* 13\*2mm  
x14 Arandela de Seguridad Ø5/16" \* 13\*2mm

(2)



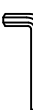
x14 Flat washer Ø5/16" \* 19\*2mm \*  
x14 Rondelle plate Ø5/16" \* 19\*2mm  
x14 Arandela plana Ø5/16" \* 19\*2mm

(3)



x8 Hanger bolt Ø5/16" \* 3-1/2" \*  
x8 Boulon-vis Ø5/16" \* 3-1/2"  
x8 Perno de suspensión Ø5/16" \* 3-1/2"

(4)



x1 Allen key M4 \*  
x1 Clé hexagonale  
x1 Llave Allen

(5)



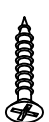
x8 Hex nut 12\*12\*6mm \*  
x8 Écrou hexagonal 12\*12\*6mm  
x8 Tuerca hexagona 2\*12\*6mm

(6)



x1 Open wrench 12mm \*  
x1 Clé à fourche 12mm  
x1 Llave de boca 12mm

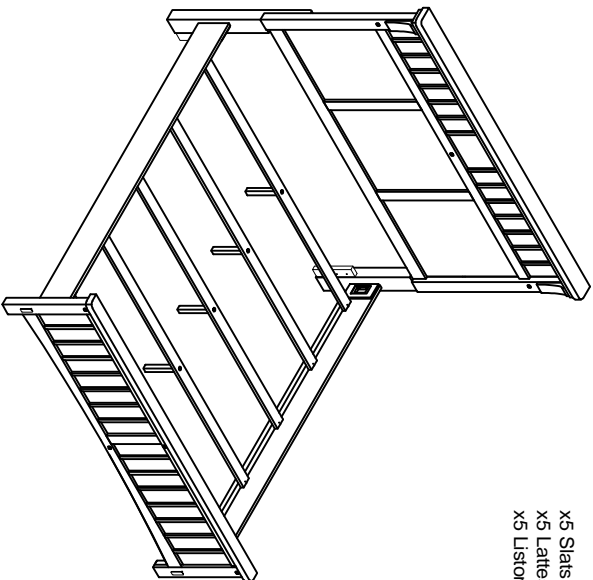
(7)

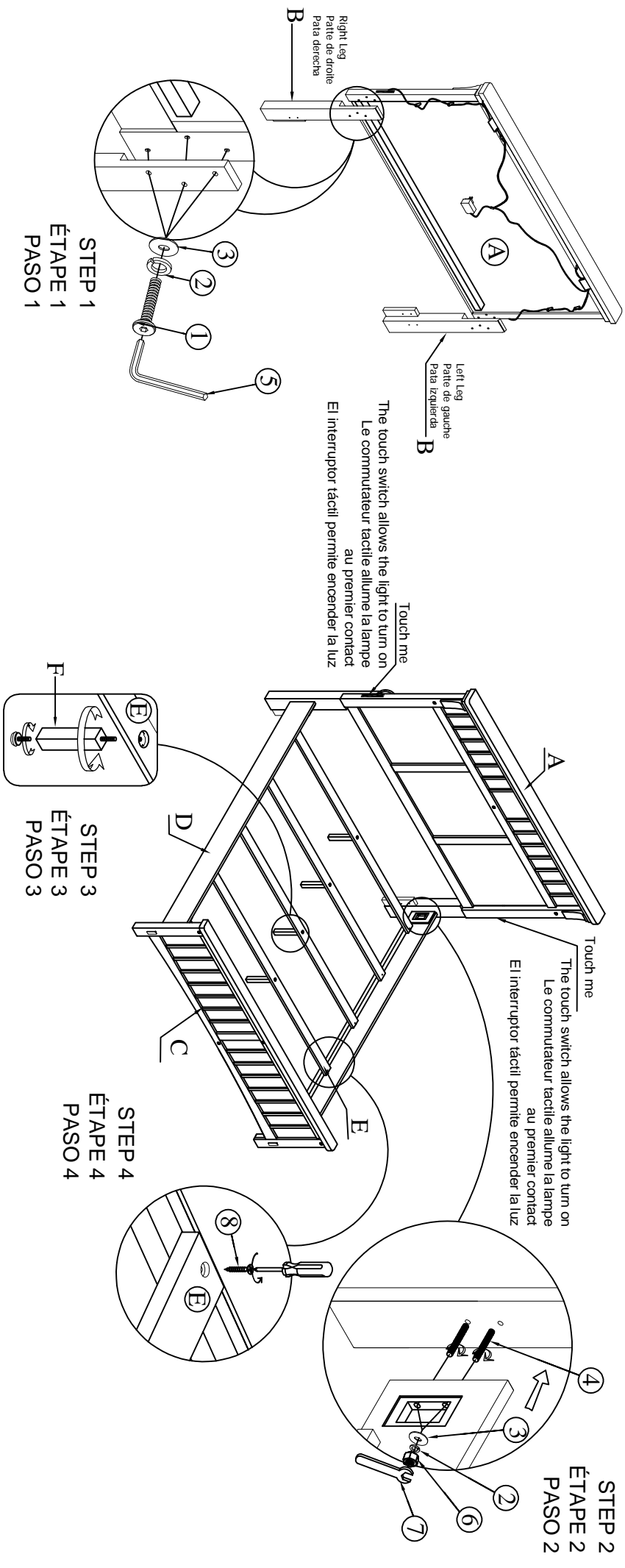


x10 Wood Screw #8\*30mm \*  
x10 Vis à bois #8\*30mm  
x10 Tornillo para madera #8\*30mm

(8)

\* Replaceable Part





\*Replaceable Part

**REPLACEABLE PART / PARTIE REMPLACABLE / PARTE REEMPLAZABLE**  
**ITEM / NO D'ARTICLE / ARTICULO.: S917-250/251/400**  
**Description/ La Description /Descripción : Headboard / Tête de lit / Cabecera**  
**Footboard / Pied de lit / Pie de cama**  
**Side Rails/ Côtés de lit / Largueros laterales**



x1 RS917-250-LEGR-Right Leg  
 Pattee de droite  
 Pata derecha

\*



x1 RS917-250-LEGL-Left Leg  
 Pattee de gauche  
 Pata izquierda

\*



x1 RS917-250-HWKIT-Hardware kit list  
 Liste des pièces de quincailleries  
 Lista del kit de materiales

\*



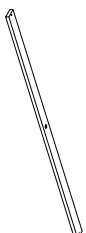
x10 RS917-251-SCREW-Wood Screw  
 Vis à bois  
 Tornillo para madera

\*



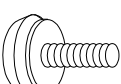
x5 RS917-251-SULEG-Support Leg  
 Pates de supports  
 Patas de apoyo de listones

\*



x5 RS917-251-SLAT- Slat  
 Lattes  
 Listones

\*



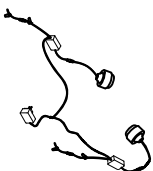
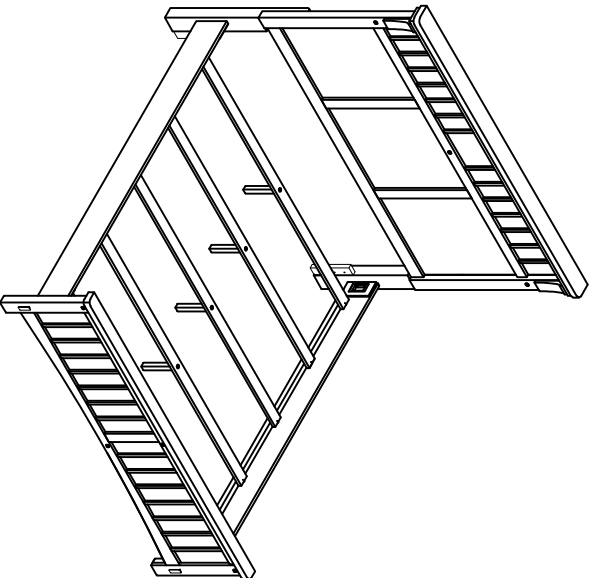
x5 RC-FG-BROWN Brown leveler  
 Niveladora marron  
 Nivelador marron

\*



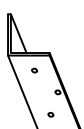
x1 RS917-400-HWKIT-Hardware kit list  
 Liste des pièces de quincailleries  
 Lista del kit de materiales

\*



x1 RS917-250-LIGHT SET  
 JEU DE LUMIERES  
 JUEGO DE LUCES

\*



x2 RS917-250-TOUCH - Touch L meia  
 Touche  
 Toque

\*



x4 RC-WH-NAIL- White Plastic nail  
 clou en plastique  
 clavo de plástico

\*

**\* Replaceable Part**

## **Protect Your Wood or Laminate Flooring**

\*This statement applies to any floor without carpet.

If not careful, all furniture including upholstery and case pieces can scratch, scuff and even gouge floors. The recommendation is to have felt, rubber pads or area rugs under furniture on flooring without carpet.

### **Moving your furniture**

Pushing and dragging furniture over floors without carpet can lead to scratches and scuffs. Have someone help when moving the larger pieces of furniture by lifting, try using a dolly or moving pads.

### **Felt and rubber pads**

Applying furniture pads to the feet of furniture helps cushion contact points. Furniture pads can be found at local hardware stores. Felt pads slide easily across the floor, making them ideal for dining chairs and other pieces that move with use. Rubber pads will help furniture stay in place and are perfect for larger pieces, like sofas and loveseats.

### **Area rugs and rug pads**

Using an area rug under furniture is another way to protect your floor from scratches and scuff marks. A rug pad under the area rug will provide extra cushion and added protection.

*\*Replaceable Part*

⚠ **WARNING**

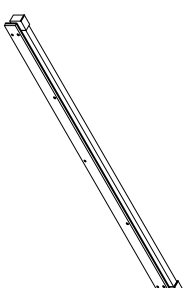
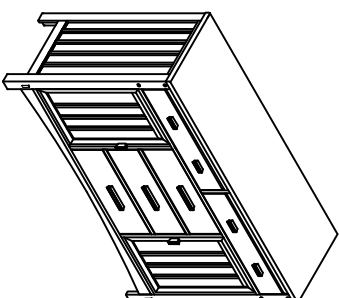
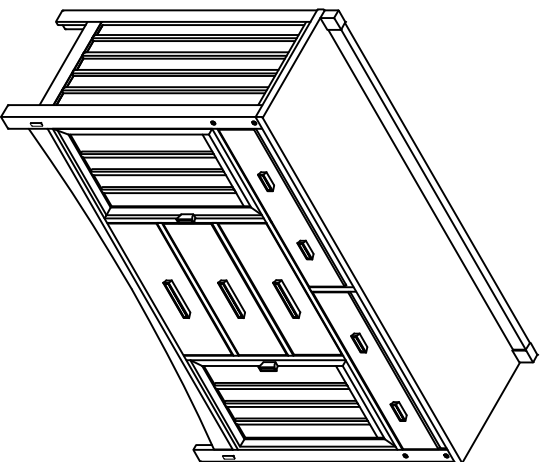


**Children have died from furniture tipover. To reduce the risk of furniture tipover:**

- ALWAYS install tipover restraint provided.
- NEVER put a TV on this product.
- NEVER allow children to stand, climb or hang on drawers, doors, or shelves.
- NEVER open more than one drawer at a time.
- Place heaviest items in the lowest drawers.

*This is a permanent label. Do not remove!*





**A**

x1 Screw  
x1 Serrvis  
x1 Serrvidora



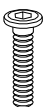
**B**

x1 Decorative Gallery Rail  
x1 Rail de galerie décoratif  
x1 Riel de galeria decorativo



**C**

x1 Furniture Tipping Restraint  
x1 Système antibasculement  
x1 Control para evitar vuelcos



**1**

x3 Allen bolt Ø1/4"×30mm \*  
x3 Vis a tête creuse hexagonale Ø1/4"×30mm  
x3 Perno Allen Ø1/4"×30mm



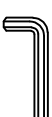
**2**

x3 Lock washer Ø1/4"×11"1,5mm \*  
x3 Rondelle de blocage Ø1/4"×11"1,5mm  
x3 Arandela de Seguridad Ø1/4"×11"1,5mm



**3**

x3 Flat Washer Ø1/4"×19"1,5mm \*  
x3 Rondelle Plana Ø1/4"×19"1,5mm  
x3 Arandela Plana Ø1/4"×19"1,5mm

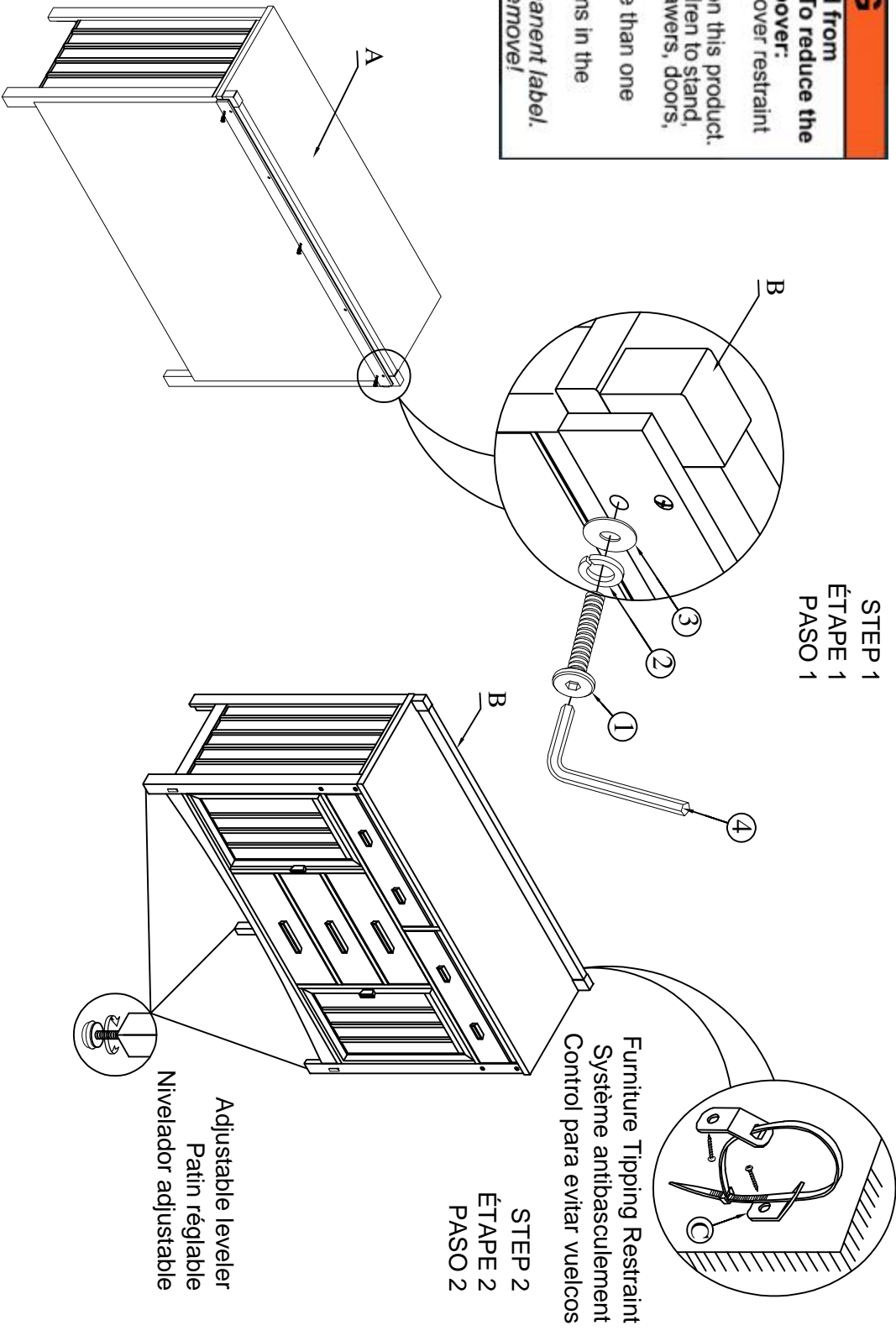


**4**

x1 Allen key M4 \*  
x1 Clé hexagonale  
x1 Llave Allen

**\* Replaceable Part**

<b>⚠ WARNING</b>	
	
<p><b>Children have died from furniture tipover. To reduce the risk of furniture tipover:</b></p> <ul style="list-style-type: none"> <li>• ALWAYS install tipover restraint provided.</li> <li>• NEVER put a TV on this product.</li> <li>• NEVER allow children to stand, climb or hang on drawers, doors, or shelves.</li> <li>• NEVER open more than one drawer at a time.</li> <li>• Place heaviest items in the lowest drawers.</li> </ul> <p><i>This is a permanent label. Do not remove!</i></p>	



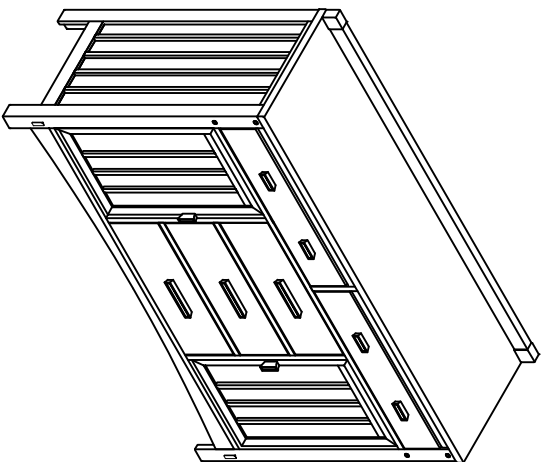
▲ WARNING




**Children have died from furniture tipover. To reduce the risk of furniture tipover:**

- ALWAYS install tipover restraint provided.
- NEVER put a TV on this product.
- NEVER allow children to stand, climb or hang on drawers, doors, or shelves.
- NEVER open more than one drawer at a time.
- Place heaviest items in the lowest drawers.

*This is a permanent label. Do not remove!*



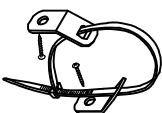
x6 RS917-010-PULLS-Short Pull + with Screw  
 Tirer + Vis  
 Tira + Tornillo



x3 RS917-010-PULLL-Long Pull + with Screw  
 Tirer + Vis  
 Tira + Tornillo



x1 RS917-146-HWKT-Hardware kit list  
 Liste des pièces de quincaillerie  
 Lista del kit de materiales



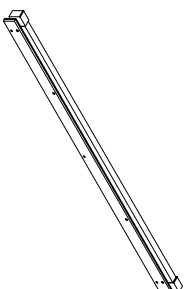
x1 RC-ANTI-TIP-Furniture Tipping Restraint  
 Système antibasculement  
 Control para evitar vuelcos



x5 COMGLIDE10-45 - Drawer Glide  
 Glissière  
 Deslizamiento del cajón



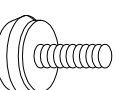
x1 S917-146-CELEG-Center support leg  
 Support central  
 Soporte para la pata central



x1 RS917-146-RAIL- Decorative Gallery/Rail  
 Rail de galerie décoratif  
 Riel de galería decorativo



x2 RC-WH-NAIL- White Plastic nail  
 Clou en plastique  
 Clavo de plástico



x3 RC-FG-BROWN-Brown marker  
 Niveladora marron  
 Nivelador marron

**\* Replaceable Part**

## **Protect Your Wood or Laminate Flooring**

\*This statement applies to any floor without carpet.

If not careful, all furniture including upholstery and case pieces can scratch, scuff and even gouge floors. The recommendation is to have felt, rubber pads or area rugs under furniture on flooring without carpet.

### **Moving your furniture**

Pushing and dragging furniture over floors without carpet can lead to scratches and scuffs. Have someone help when moving the larger pieces of furniture by lifting, try using a dolly or moving pads.

### **Felt and rubber pads**

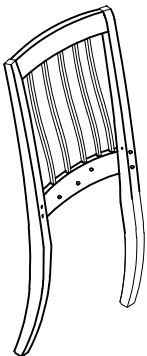
Applying furniture pads to the feet of furniture helps cushion contact points. Furniture pads can be found at local hardware stores. Felt pads slide easily across the floor, making them ideal for dining chairs and other pieces that move with use. Rubber pads will help furniture stay in place and are perfect for larger pieces, like sofas and loveseats.

### **Area rugs and rug pads**

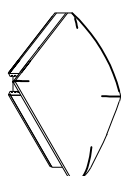
Using an area rug under furniture is another way to protect your floor from scratches and scuff marks. A rug pad under the area rug will provide extra cushion and added protection.

*\*Replaceable Part*

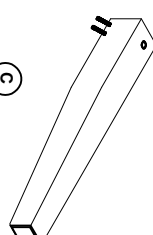




- (A)**
- x1 Chair Back \*
  - x1 Dossier de chaise
  - x1 Respaldo de silla



- (B)**
- x1 Seat Frame with Cushion \*
  - x1 Siège avec coussin
  - x1 Cojín de asiento con cuadro del asiento



- (C)**
- x2 Front Leg \*
  - x2 Jambe avant
  - x2 Pata delantera



- (1)**
- x4 Allen bolt Ø5/16"×75mm \*
  - x4 Vis à tête creuse hexagonale Ø5/16"×75mm
  - x4 Perno Allen Ø5/16"×75mm



- (2)**
- x2 Allen bolt Ø5/16"×40mm \*
  - x2 Vis à tête creuse hexagonale Ø5/16"×40mm
  - x2 Perno Allen Ø5/16"×40mm



- (3)**
- x10 Lock washer Ø5/16"×132mm \*
  - x10 Rondelle de blocage Ø5/16"×132mm
  - x10 Arandela de Seguridad Ø5/16"×132mm



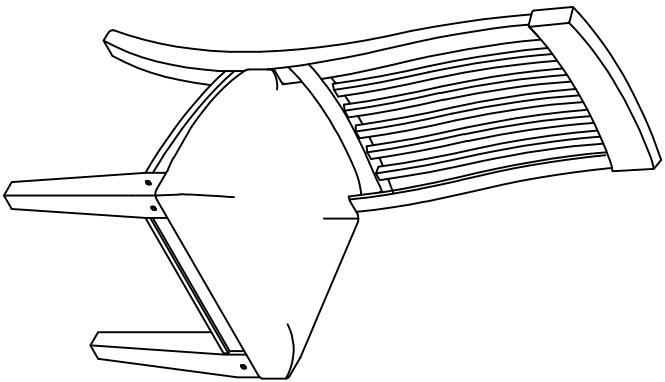
- (4)**
- x10 Flat washer Ø5/16"×192mm \*
  - x10 Rondelle plate Ø5/16"×192mm
  - x10 Arandela plana Ø5/16"×192mm



- (5)**
- x4 Hex nut 12×126mm \*
  - x4 Ecrou hexagonal 12×126mm
  - x4 Tuerca hexagona 2×126mm

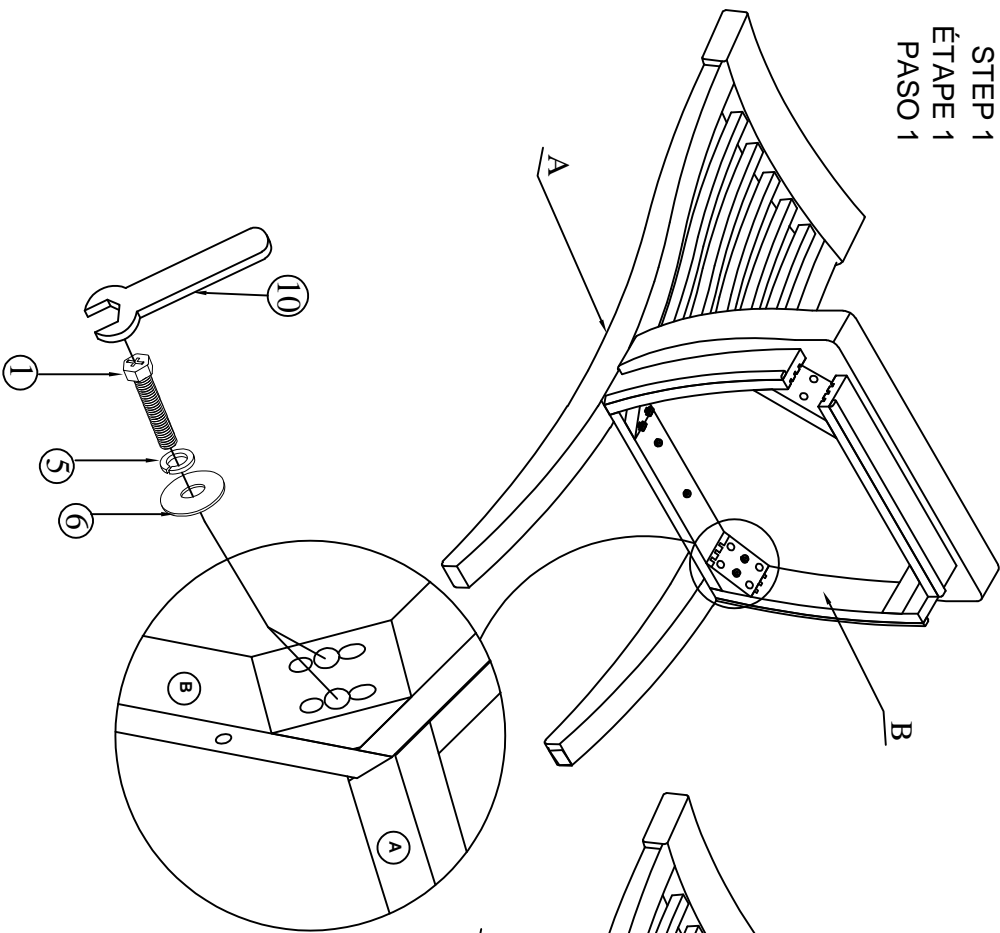


- (6)**
- x1 Open wrench 12mm \*
  - x1 Cle à touche 12mm
  - x1 Llave de boca 12mm

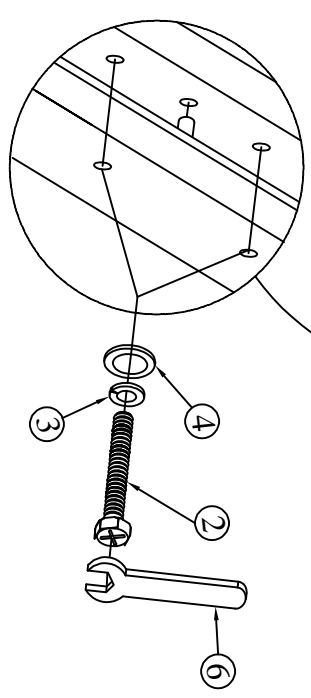


\* Replaceable Part

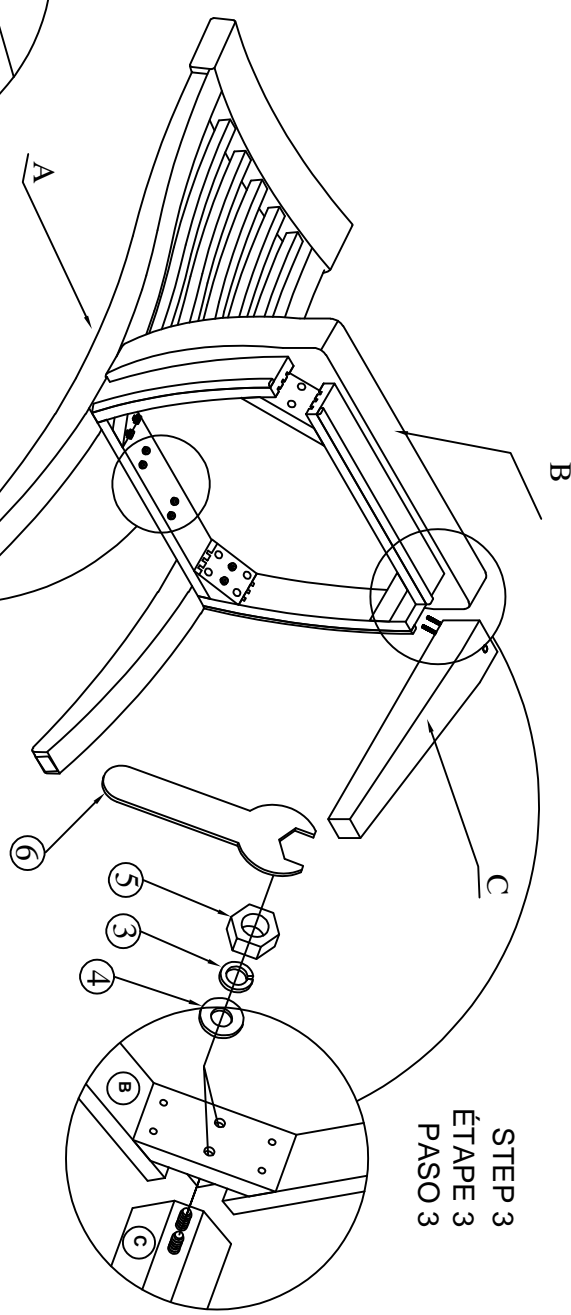
STEP 1  
 ÉTAPE 1  
 PASO 1



STEP 2  
 ÉTAPE 2  
 PASO 2

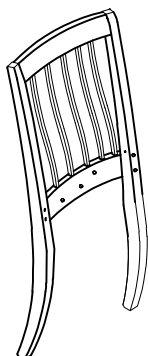


STEP 3  
 ÉTAPE 3  
 PASO 3

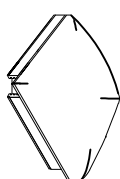


\* Replaceable Part

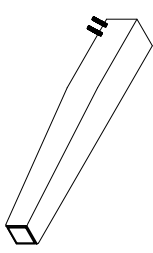
**REPLACEABLE PART / PARTIE REMPLACABLE / PARTE REEMPLAZABLE**  
**ITEM / NO D'ARTICLE / ARTICULO : S917-154**  
**Description/ La Description /Descripción : Side chair / Chaise d'appoint / Silla**



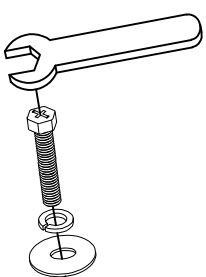
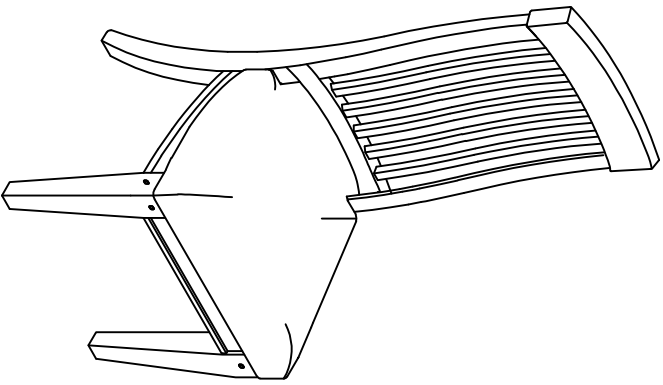
x1 RS917-154-BACK-Chair Back  
Dossier de chaise  
Respaldo de silla \*



x1 RS917-154-FRAME-Seat Frame with Cushion  
Siège avec coussin  
Cojín de asiento con cuadro del asiento \*



x2 RS917-154-LEG-Front Leg  
Jambe avant  
Pata delantera \*



x1 RS917-154-HWKIT-Hardware kit list  
Liste des pièces de quincailleries  
Lista del kit de materiales \*



x4 RC-WH-NAIL- White Plastic nail  
Clou en plastique  
Clavo de plástico \*

**\* Replaceable Part**

## **Protect Your Wood or Laminate Flooring**

\*This statement applies to any floor without carpet.

If not careful, all furniture including upholstery and case pieces can scratch, scuff and even gouge floors. The recommendation is to have felt, rubber pads or area rugs under furniture on flooring without carpet.

### **Moving your furniture**

Pushing and dragging furniture over floors without carpet can lead to scratches and scuffs. Have someone help when moving the larger pieces of furniture by lifting, try using a dolly or moving pads.

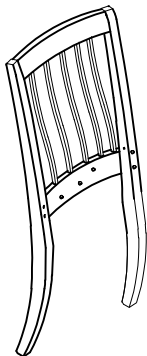
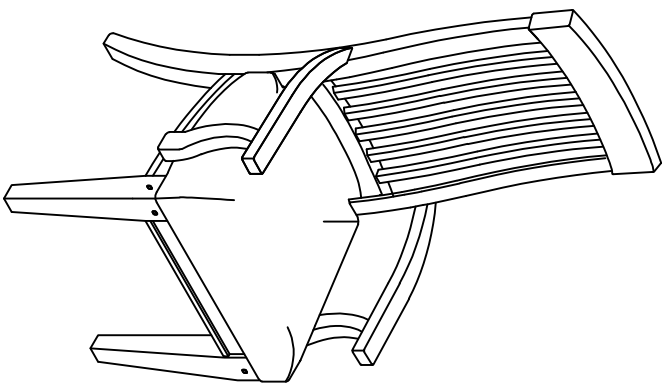
### **Felt and rubber pads**

Applying furniture pads to the feet of furniture helps cushion contact points. Furniture pads can be found at local hardware stores. Felt pads slide easily across the floor, making them ideal for dining chairs and other pieces that move with use. Rubber pads will help furniture stay in place and are perfect for larger pieces, like sofas and loveseats.

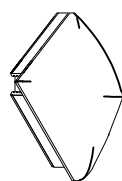
### **Area rugs and rug pads**

Using an area rug under furniture is another way to protect your floor from scratches and scuff marks. A rug pad under the area rug will provide extra cushion and added protection.

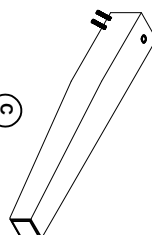
*\*Replaceable Part*



- (A)**
- x1 Chair Back \*
  - x1 Dossier de chaise \*
  - x1 Respaldo de silla \*



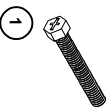
- (B)**
- x1 Seat Frame with Cushion \*
  - x1 Siège avec coussin \*
  - x1 Cojín de asiento con cuadro del asiento \*



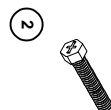
- (C)**
- x2 Front Leg \*
  - x2 Jambes avant \*
  - x2 Pala delantera \*



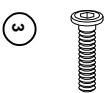
- (D)**
- x2 Arms (Left & Right) \*
  - x2 Bras (gauche et droit) \*
  - x2 Brazos (izquierda y derecha) \*



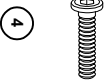
- (1)**
- x4 Allen bolt Ø5/16\"\*75mm \*
  - x4 Vis à tête creuse hexagonale Ø5/16\"\*75mm \*
  - x4 Perno Allen Ø5/16\"\*75mm \*



- (2)**
- x2 Allen bolt Ø5/16\"\*40mm \*
  - x2 Vis à tête creuse hexagonale Ø5/16\"\*40mm \*
  - x2 Perno Allen Ø5/16\"\*40mm \*



- (3)**
- x4 Allen bolt Ø1/4\"\*40mm \*
  - x4 Vis à tête creuse hexagonale Ø1/4\"\*40mm \*
  - x4 Perno Allen Ø1/4\"\*40mm \*



- (4)**
- x2 Allen bolt Ø1/4\"\*32mm \*
  - x2 Vis à tête creuse hexagonale Ø1/4\"\*32mm \*
  - x2 Perno Allen Ø1/4\"\*32mm \*



- (5)**
- x10 Lock washer Ø5/16\"\*132mm \*
  - x10 Rondelle de blocage Ø5/16\"\*132mm \*
  - x10 Arandela de Seguridad Ø5/16\"\*132mm \*



- (6)**
- x10 Flat washer Ø5/16\"\*192mm \*
  - x10 Rondelle plate Ø5/16\"\*192mm \*
  - x10 Arandela plana Ø5/16\"\*192mm \*



- (7)**
- x4 Lock washer Ø1/4\"\*112mm \*
  - x4 Rondelle de blocage Ø1/4\"\*112mm \*
  - x4 Arandela de Seguridad Ø1/4\"\*112mm \*



- (8)**
- x4 Flat washer Ø1/4\"\*192mm \*
  - x4 Rondelle plate Ø1/4\"\*192mm \*
  - x4 Arandela plana Ø1/4\"\*192mm \*



- (9)**
- x4 Hex nut 12\"\*126mm \*
  - x4 Écrou hexagonal 12\"\*126mm \*
  - x4 Tuerca hexagona 2\"\*126mm \*



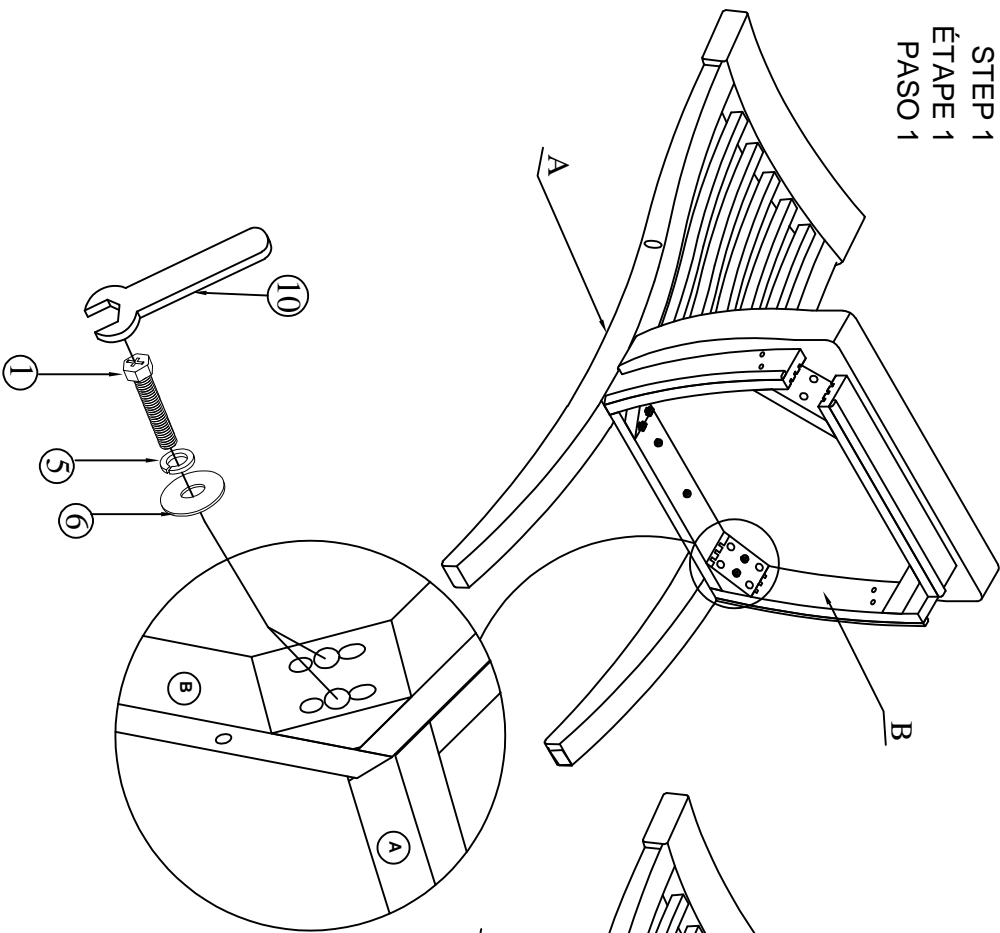
- (10)**
- x1 Open wrench 12mm \*
  - x1 Clé à fourche 12mm \*
  - x1 Llave de boca 12mm \*



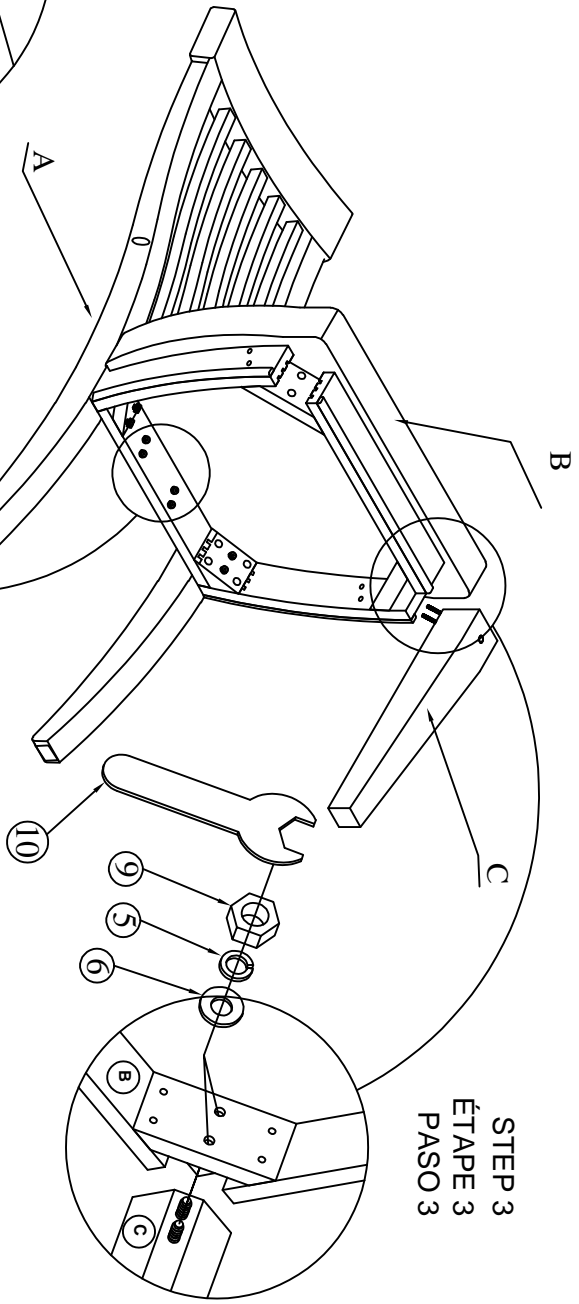
- (11)**
- x1 Allen key M4 \*
  - x1 Clé hexagonale \*
  - x1 Llave Allen \*

\* Replaceable Part

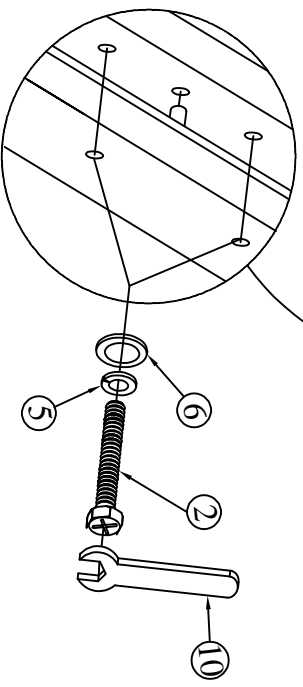
STEP 1  
ÉTAPE 1  
PASO 1



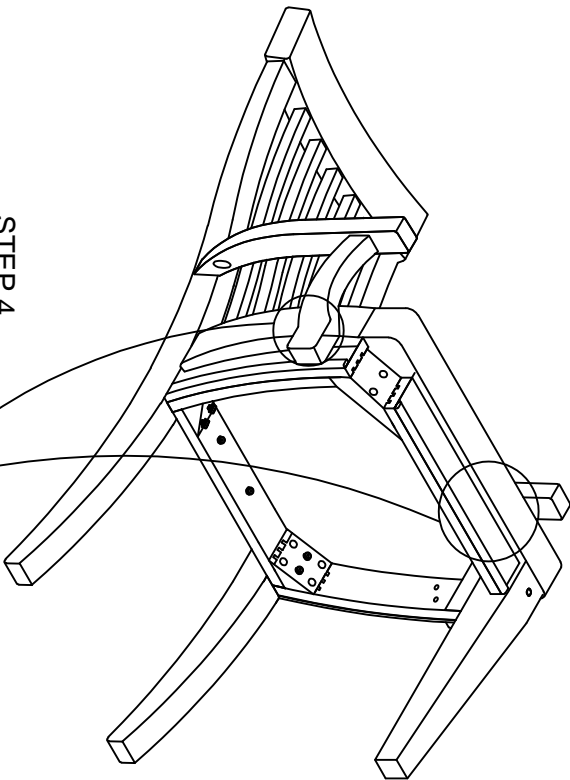
STEP 3  
ÉTAPE 3  
PASO 3



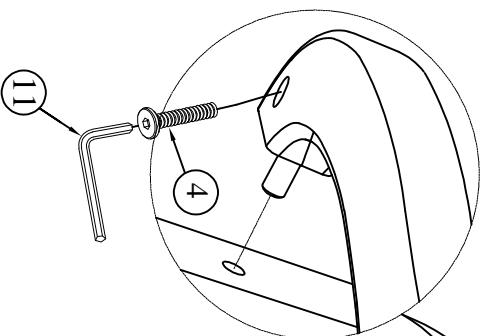
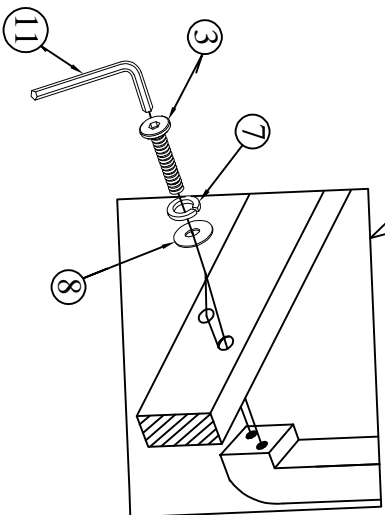
STEP 2  
ÉTAPE 2  
PASO 2



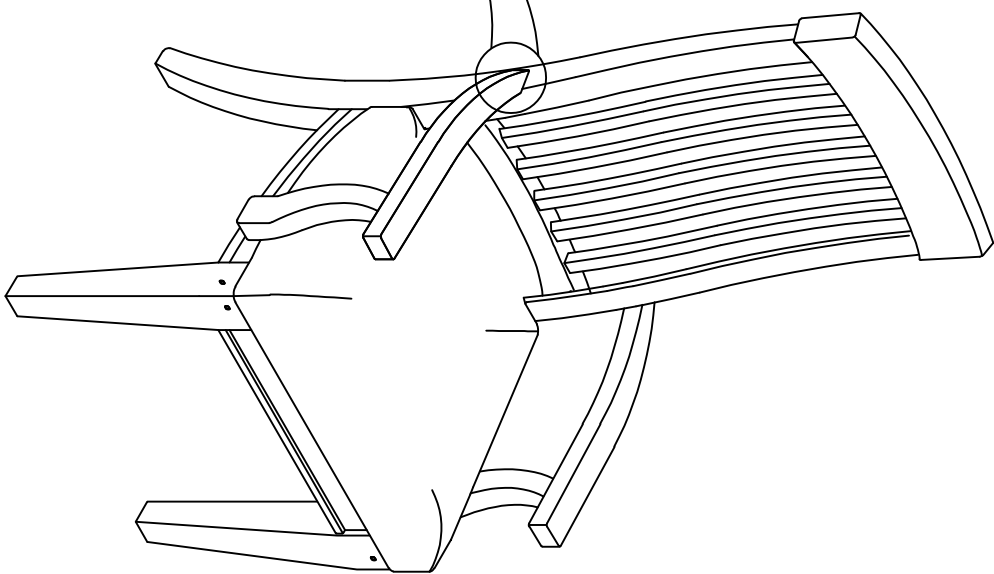
\* Replaceable Part



STEP 4  
ÉTAPE 4  
PASO 4

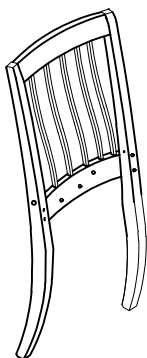


STEP 5  
ÉTAPE 5  
PASO 5

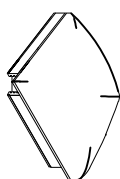


\*Replaceable Part

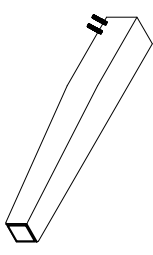
**REPLACEABLE PART / PARTIE REMPLACABLE / PARTE REEMPLAZABLE**  
**ITEM / NO D'ARTICLE / ARTICULO.:** S917-155  
**Description / La Description / Descripción :** Arm Chair / Fauteuil / Sillón



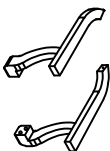
x1 RS917-155-BACK-Chair Back  
 Dossier de chaise  
 Respaldo de silla \*



x1 RS917-155-FRAME-Seat Frame with Cushion  
 Siège avec coussin  
 Cojín de asiento con cuadro del asiento \*

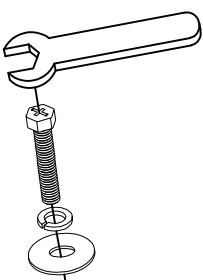


x2 RS917-155-LEG-Front Leg  
 Jambes avant  
 Pata delantera \*



x1 RS917-155-ARML Arms Left  
 Bras Gauche  
 Brazo Izquierdo \*

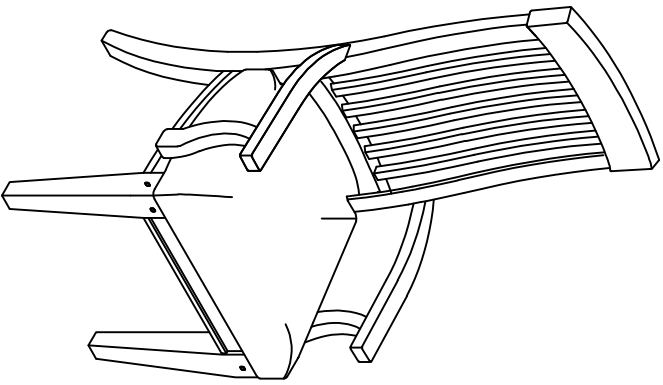
x1 RS917-155-ARMR Arms Right  
 Bras droit  
 Brazos derecho \*



x1 RS917-155-HWKIT-Hardware kit list  
 Liste des pièces de quincailleries  
 Lista del kit de materiales \*



x4 RC-WH-NAIL- White Plastic nail  
 Clou en plastique  
 Clavo de plástico \*



\* Replaceable Part



## **Protect Your Wood or Laminate Flooring**

\*This statement applies to any floor without carpet.

If not careful, all furniture including upholstery and case pieces can scratch, scuff and even gouge floors. The recommendation is to have felt, rubber pads or area rugs under furniture on flooring without carpet.

### **Moving your furniture**

Pushing and dragging furniture over floors without carpet can lead to scratches and scuffs. Have someone help when moving the larger pieces of furniture by lifting, try using a dolly or moving pads.

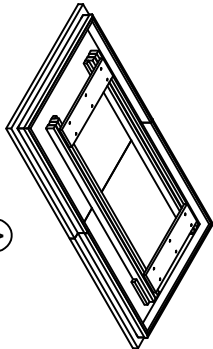
### **Felt and rubber pads**

Applying furniture pads to the feet of furniture helps cushion contact points. Furniture pads can be found at local hardware stores. Felt pads slide easily across the floor, making them ideal for dining chairs and other pieces that move with use. Rubber pads will help furniture stay in place and are perfect for larger pieces, like sofas and loveseats.

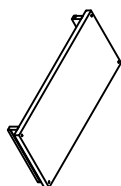
### **Area rugs and rug pads**

Using an area rug under furniture is another way to protect your floor from scratches and scuff marks. A rug pad under the area rug will provide extra cushion and added protection.

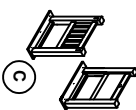
*\*Replaceable Part*



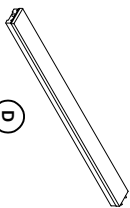
**(A)**  
**x1 Trestle table Top**  
**x1 Tête de lit**  
**x1 Cabeceira**



**(B)**  
**x1 Table leaf**  
**x1 Feuille de table**  
**x1 Hoja de mesa**



**(C)**  
**x2 Table Legs**  
**x2 Patis de mesa**  
**x2 Pies de table**



**(D)**  
**x1 Bottom Rail**  
**x1 Traverse inférieure**  
**x1 Travesaño inferior**



**(E)**  
**x2 Stretcher Rail**  
**x2 Rail de civière**  
**x2 Camilla de riel**



**(2)**  
**x18 Lock Washer Ø5/16\*14\*2mm\***  
**x18 Rondelle de blocage Ø5/16\*14\*2mm**  
**x18 Arandela de Seguridad Ø5/16\*14\*2mm**



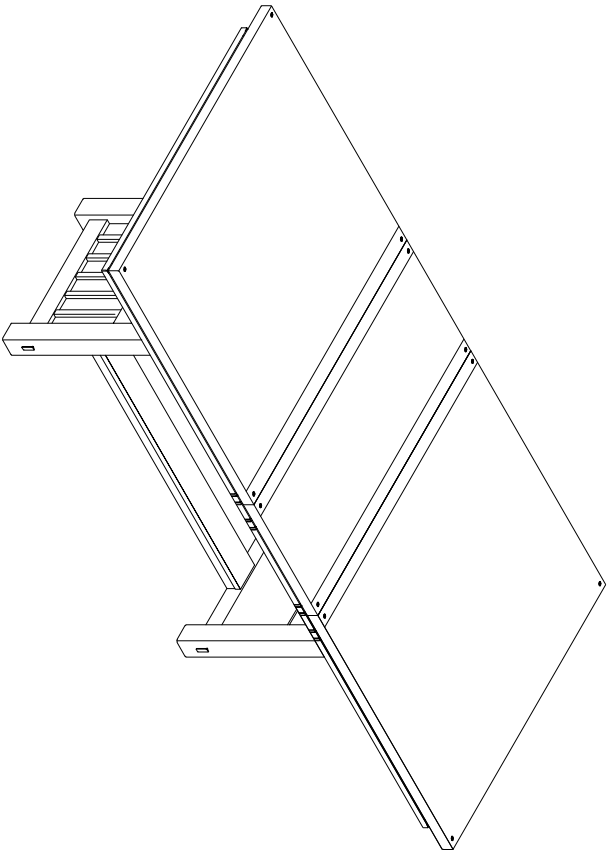
**(3)**  
**x18 Flat Washer Ø5/16\*19\*2mm**  
**x18 Rondelle Plate Ø5/16\*19\*2mm**  
**x18 Arandela Plana Ø5/16\*19\*2mm**



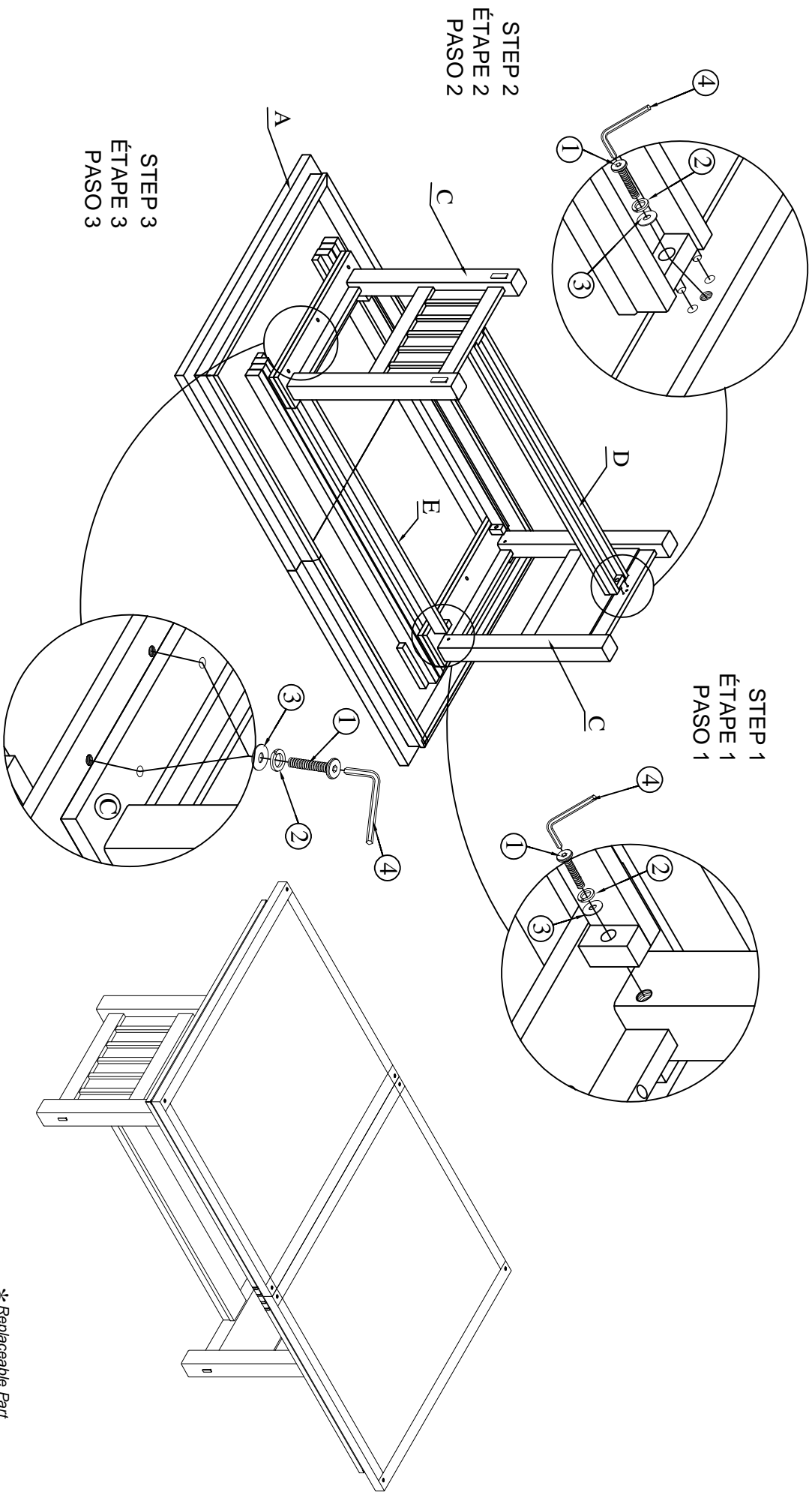
**(4)**  
**x1 Allen key M4**  
**x1 Clé hexagonale**  
**x1 Llave Allen**



**(1)**  
**x18 Allen bolt Ø5/16\*\*38mm**  
**x18 Vis à tête creuse hexagonale Ø5/16\*\*38mm**  
**x18 Perno Allen Ø5/16\*\*38mm**

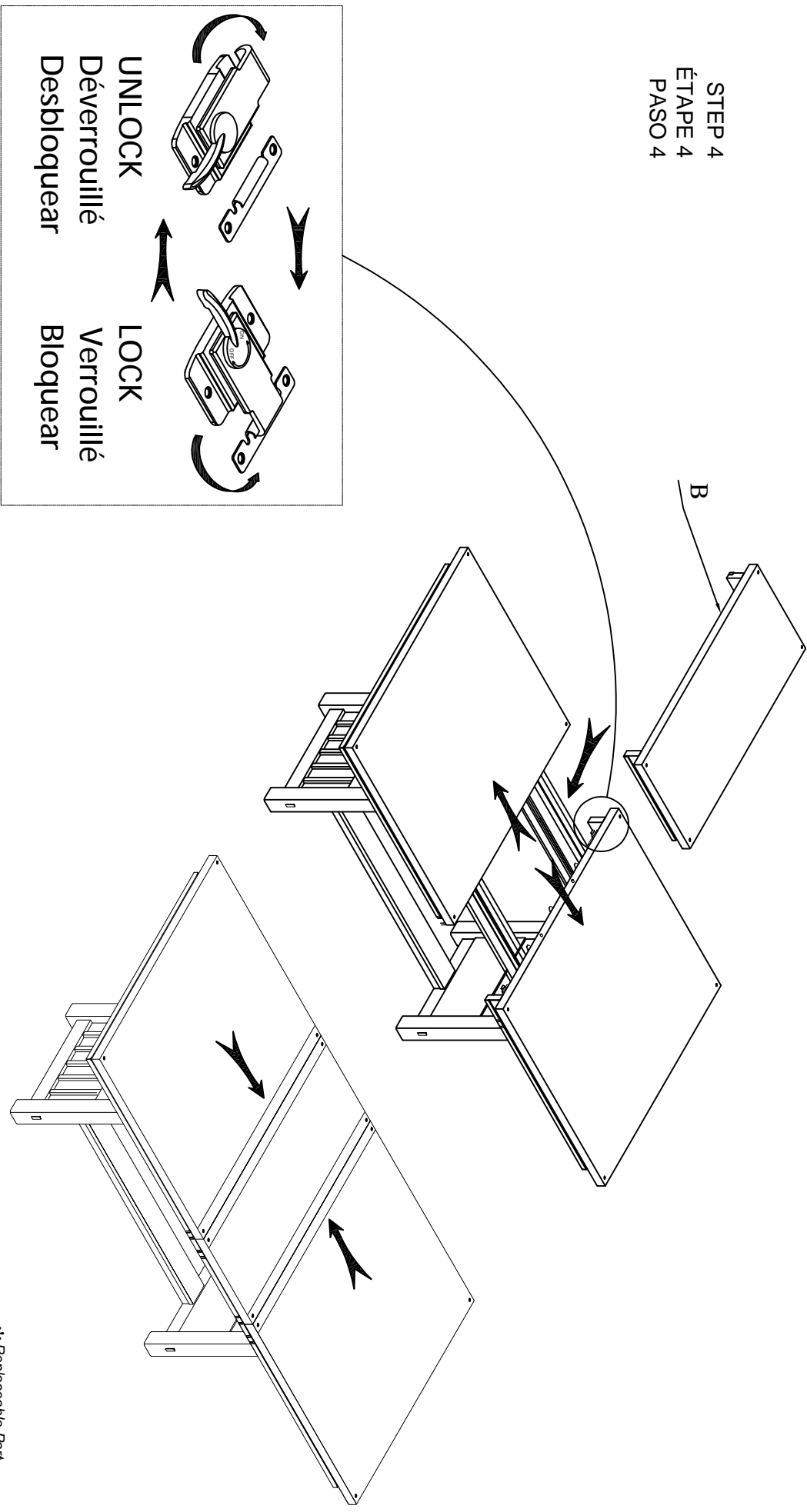


**\* Replaceable Part**



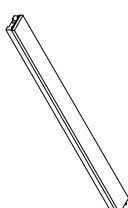
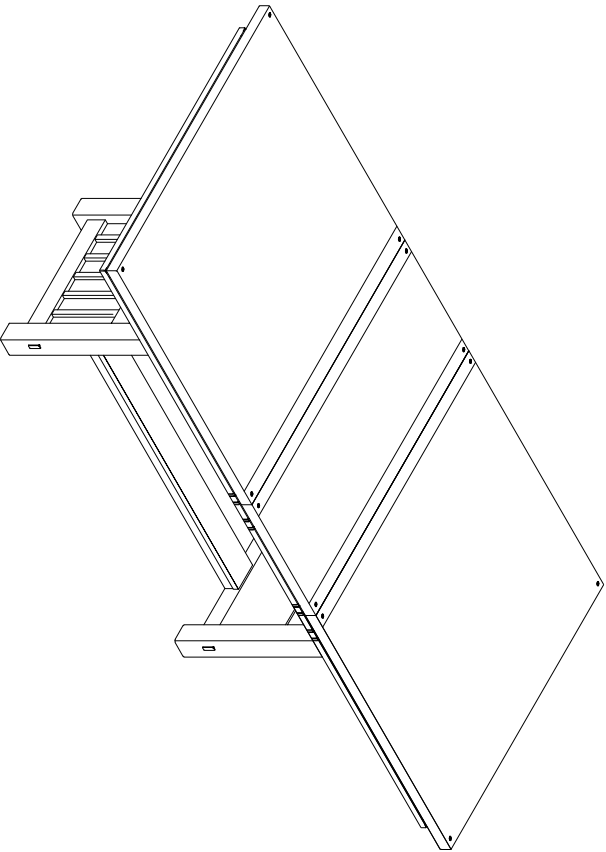
\* Replaceable Part

**STEP 4**  
**ÉTAPE 4**  
**PASO 4**



**\*Replaceable Part**

**REPLACEABLE PART / PARTIE REMPLACABLE / PARTE REEMPLAZABLE**  
ITEM / NO D'ARTICLE / ARTICULO.: S917-131A / S917-131B  
Description/ La Description / Descripción : Table Top / Dessus de table / Mesa  
Table Base / Base de Table / Pie de mesa



**x1 RS917-131-RAIL - Bottom Rail**  
Traverse inférieure  
Travesaño inferior

\*



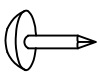
**x2 RS917-131-SR-RAIL-Stretcher Rail**  
Rail de civière  
Camilla de riel

\*



**x1 RS917-131-HWKIT-Hardware Kit list**  
Liste des pièces de quincailleries  
Lista del kit de materiales

\*



**x4 RC-BR-NAIL- Brown Plastic nail**  
Clou en plastique  
Clavo de plástico

\*

**\* Replaceable Part**

## **Protect Your Wood or Laminate Flooring**

\*This statement applies to any floor without carpet.

If not careful, all furniture including upholstery and case pieces can scratch, scuff and even gouge floors. The recommendation is to have felt, rubber pads or area rugs under furniture on flooring without carpet.

### **Moving your furniture**

Pushing and dragging furniture over floors without carpet can lead to scratches and scuffs. Have someone help when moving the larger pieces of furniture by lifting, try using a dolly or moving pads.

### **Felt and rubber pads**

Applying furniture pads to the feet of furniture helps cushion contact points. Furniture pads can be found at local hardware stores. Felt pads slide easily across the floor, making them ideal for dining chairs and other pieces that move with use. Rubber pads will help furniture stay in place and are perfect for larger pieces, like sofas and loveseats.

### **Area rugs and rug pads**

Using an area rug under furniture is another way to protect your floor from scratches and scuff marks. A rug pad under the area rug will provide extra cushion and added protection.

*\*Replaceable Part*