






# UTTERMOST

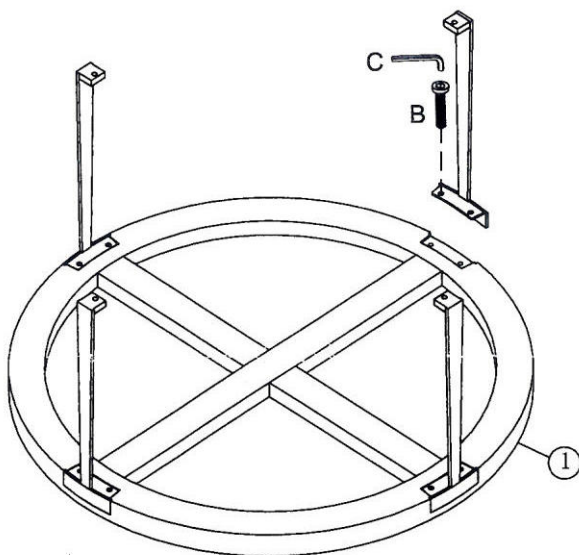
## ASSEMBLY INSTRUCTIONS

ITEM: 25555

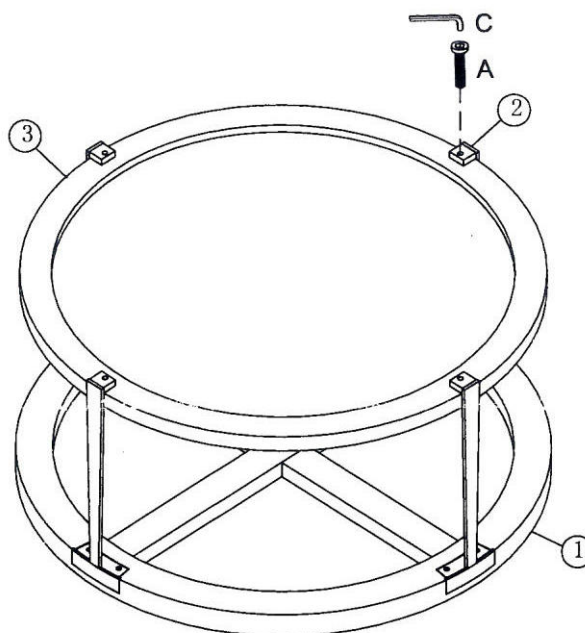
PARTS LIST									
NO	DRAWING	PARTS NAME	Q'TY	NO	PARTS NAME	DRAWING	Q'TY		
A		BOLTS DIA 1/4"*1"	4PCS	1	TABLE TOP		1PC		
B		BOLTS DIA 1/4"*3/4"	8PCS		2	LEG			4PCS
C		ALLEN WRENCH 1/4"	1PC			3		BOTTOM PANEL	

ASSEMBLY BOLTS MAY NEED TIGHTEND AFTER USE

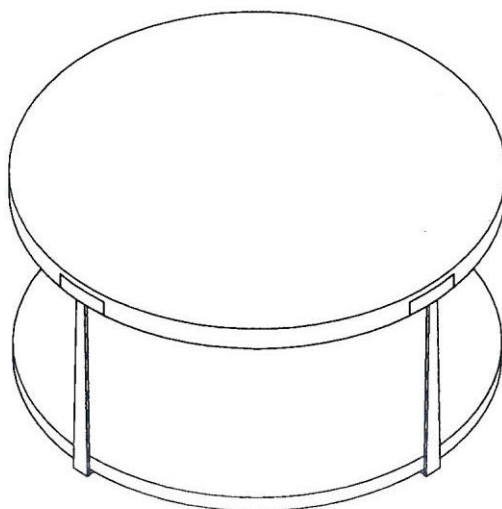
### STEP 1



### STEP 2



### STEP 3



re- tighten the leg bolts after using a period of time